

INFLATABLE NIGHTCLUE TENT USER MANUAL



SKU: YZH001-1A1A1 YZH001-1A1A2
YZH001-1B1A1 YZH001-1B1A2
YZH001-1C1A1 YZH001-1C1A2

Any question please feel free to contact us:

support@albott-us.com TEL:(901) 347-2181

We will provide further assistance within 24 hours.

Important - Please read these instructions fully before starting assembly

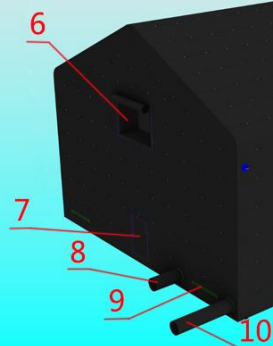
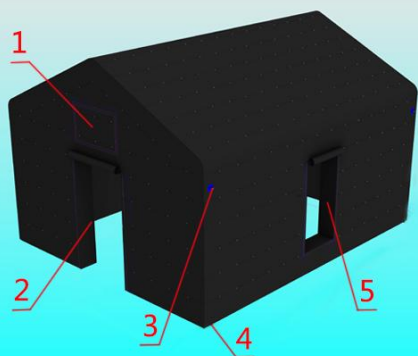
ITEM INFORMATION

Parts Model	Size	Material	Color	Input Voltage	Inflation Blower
6*5*4M (YZH001-1A1A1)	20*16.4*13ft	210D Oxford fabric	Black	110V-120V 60Hz	750W (YZH001-1A1A2)
9*6*4.2M (YZH001-1B1A1)	30*20*14ft	210D Oxford fabric	Black	110V-120V 60Hz	1100W (YZH001-1B1A2)
12*6*4.2M (YZH001-1C1A1)	39*20*14ft	210D Oxford fabric	Black	110V-120V 60Hz	1100W (YZH001-1C1A2)

PACKAGE CONTENT

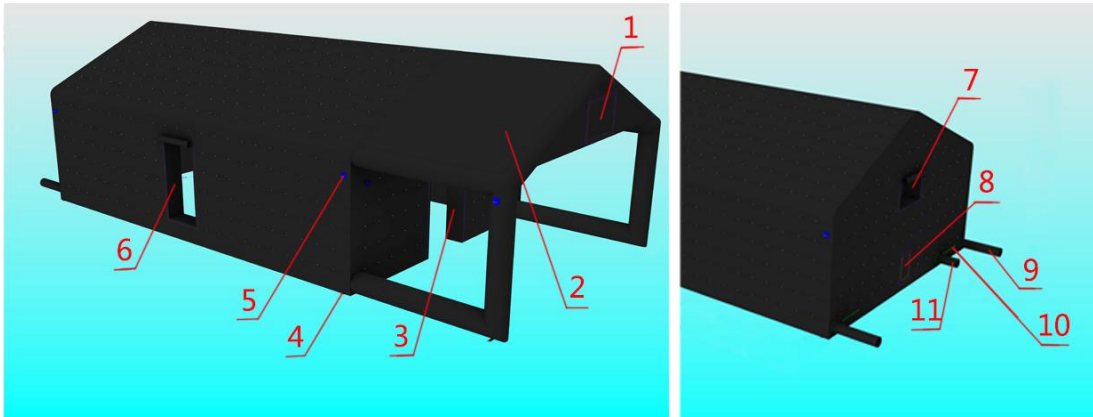
BOX1 : YZH001-1A1A1/YZH001-1B1A1/YZH001-1C1A1					
①	Night Club Tent *1	②	Storage Bag *1	③	Sand Bag *4
④	Ropes *4	⑤	Stakes *4	⑥	Repair Kit *1
BOX2 : YZH001-1A1A2/YZH001-1B1A2/YZH001-1C1A2					
⑦	Air blower *1				
Note: YZH001-1A1A2 750W YZH001-1B1A2 1100W YZH001-1C1A2 1100W					

Model: 6*5*4M, 9*6*4.2M



①	Velcro Logo Paste Position	②	Front Door	③	Metal Rope Ring
④	Metal Ring	⑤	Escape Door	⑥	Disco lamp Window
⑦	Smoke Sprayer Window	⑧	Ventilation Tube	⑨	Exhaust Zipper Port
⑩	Intake Tube				

Model: 12*6*4.2M




①	Velcro Logo Paste Position	②	Sunshade	③	Front Door
④	Metal Rope Ring	⑤	Metal Ring	⑥	Escape Door
⑦	Disco lamp Window	⑧	Smoke Sprayer Window	⑨	Ventilation Tube
⑩	Exhaust Zipper Port	⑪	Intake Tube		

INSTALLATION INSTRUCTION

<p>1. Unfold the nightclub tent and spread it out on a clean and level ground</p>		<p>2. Zip up both sides of the nightclub tent</p>	
<p>3. Tie the ropes to the metal rope ring</p>		<p>4. Tie the intake tube to the air blower outlet</p>	
<p>5. When the nightclub tent is inflated, please fasten it with stakes at the bottom metal rings</p>		<p>6. When the assembly is complete, please tie the windproof ropes to the fixed object</p>	

STORAGE INSTRUCTION

<p>1. Unzip and open the front door and back door</p>		<p>2. Turn off the air blowers and open both exhaust zipper ports</p>	
<p>3. Drain all air and flatten the nightclub tent</p>		<p>4. Fold or roll up the nightclub tent</p>	
<p>5. Bind the nightclub tent with rope</p>		<p>6. Put it into a storage bag and place in dry environment</p>	

MATTERS NEED TO ATTENTION

- 1.1 Don't use outdoor on rainy or blistery day!
- 1.2 Please protect the tent from sharp thing, open fire or other dangerous thing!
- 1.3 Please restore it in a dry and well ventilated place when do not use.

MAINTENANCE, REPAIR AND TROUBLESHOOTING

- 2.1 If the nightclub tent is stored in a humid environment, it is recommended to take out to open it in sunny weathers.
- 2.2 If the nightclub tent is torn, please repair it with the accompany material.

Problem	Cause	Solution
Blower Does Not Work	The blower switch is not ON ☞	Turn on the blower
	No power supply ☞	Turn the power
	Voltage mismatch ☞	Voltage need to match
Lack of Nightclub Tent Pressure	Both zipper exhaust ports are not zipped properly ☞	Zip up all zipper exhaust ports
	The intake tube is connected to blower ☞	connect the intake tube to the inflation blower
	Voltage instability ☞	Supply a stable voltage

