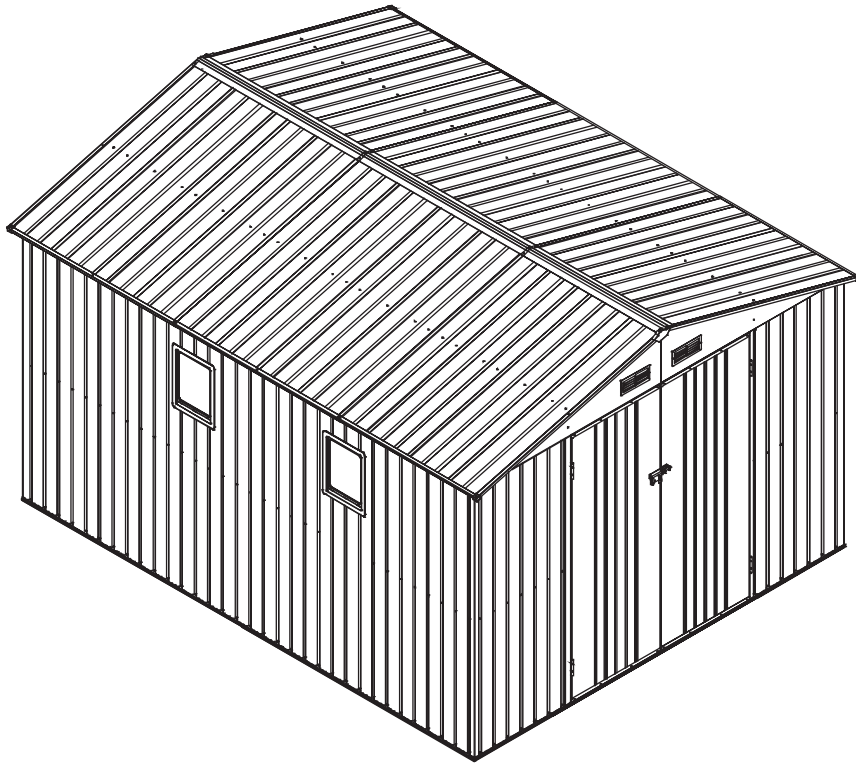


**ASSEMBLY INSTRUCTION  
ITEM#: SS-97001**



**PRODUCT CONTAINS 3 BOXES:**

**BOX 1/3 (1007100014C)**

**BOX 2/3 (1007100015C)**

**BOX 3/3 (1007100016C)**

Arrive in 3 separate boxes and may not be part of the same shipment; please install the product after receiving all the packages.

Requires two people and take 7-10 hours for installation.

Quick & Easy Assembly

Ridge Reinforced Walls

Available in Various Sizes

**WARNING: READ INSTRUCTION MANUAL BEFORE ATTEMPTING TO ASSEMBLE  
OR OPERATE THIS PRODUCT.**

About installation

About usage

About product

About return

Others

Phone customer service: 901-347-2181

After-sale mail: [support@wepatio.com](mailto:support@wepatio.com)

Any problems, please contact us. We will help you within 24 hours.

# CONTENTS

---

1.Contents.....	2
2.Precautions for installation.....	3-4
3.Product explosion diagram .....	5-7
4.Part list.....	8-13
5.Hardware.....	14
6.Base installation steps.....	15-16
7.Frame installation steps.....	17-22
8.Triangular panel installation steps.....	23-31
9.Top frame installation steps.....	32-35
10.Top panels installation steps.....	36-42
11.Door installation steps .....	43-48

# BEFORE YOU START

---

## Owner's Manual

Prior to installation, it is important that you contact your local government authority to determine if building approval is required. Study and understand this owner's manual.

Important information and helpful tips will make your construction easier and more enjoyable.

## Assembly instructions

Instructions are supplied in this manual and contain all appropriate information for your building model.

Review all instructions before you begin. During assembly, follow the step sequence carefully for correct results. Please be aware: **this unit takes two people about one full day to complete.**

## Parts

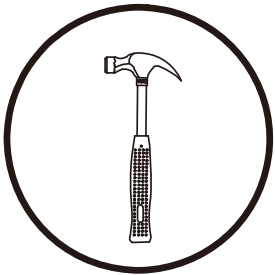
Check to be sure that you have all the necessary parts for the building.

Separate contents of the carton by the part number while reviewing parts list.

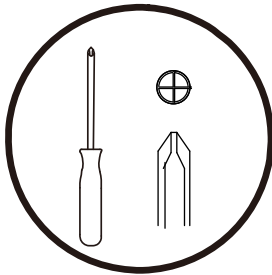
Familiarize yourself with the hardware and fasteners for easier use during construction. These are packaged within the carton. Note that extra fasteners have been supplied for your convenience.

# TOOLS MY REQUIRED

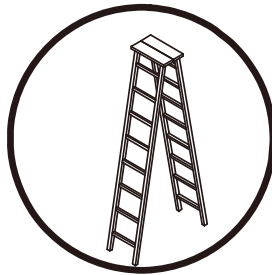
---



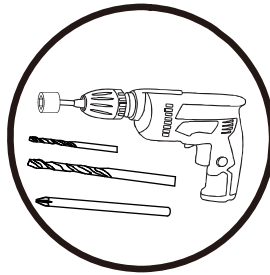
Hammer



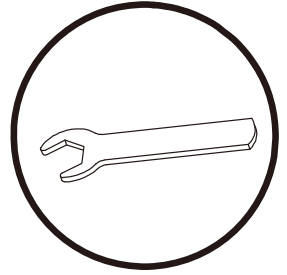
Screwdriver



Ladder



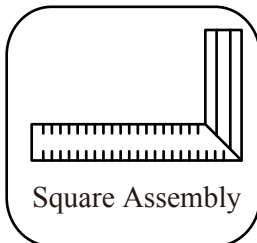
Electric screw driver



Wrench

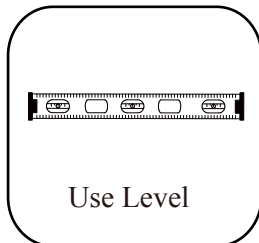


This identifies information that requires special attention. Improper assembly could lead to an unsafe or dangerous condition.



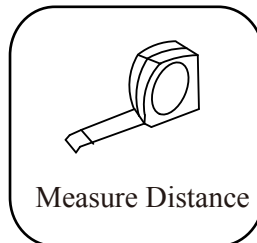
Square Assembly

Check that assembly is square before tightening bolts.

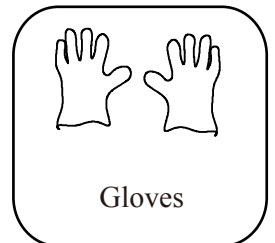


Use Level

Check that set or assembly is properly level before proceeding.



Measure Distance



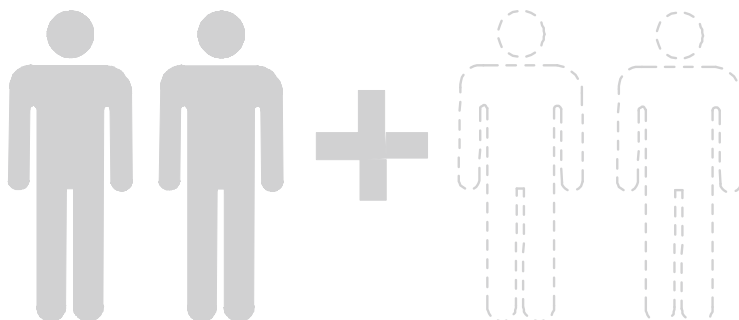
Gloves

# IMPORTANT

---

## How many people needed for the installation work

Requires two people and take 7-10 hours for installation.



## **PLAN AHEAD**

---

### **Site Selection**

I Avoid overhanging trees as much as possible as leaves will make regular cleaning necessary and broken branches are a potential hazard.

I Small trees, bushes or fences nearby can be helpful, acting as a wind break.

### **Site Preparation**

The site must be prepared so that the base of the shed is level all round and checking with a spirit level is required.

The base can be constructed by treated timber or concrete, in order to stop the moisture getting into the shed.

**The shed is not designed to be built onto lawn directly.** Also the ground will get muddy during rainy days.

If a concrete pad is made, it is important that this slopes towards the edges to prevent water ingress.

Time must be allowed for any concrete or cement to dry before building the shed on top.

Bases can also be constructed from bricks, blocks, or mounted on a concrete pad.

The bricks or blocks should be cemented onto firm and level concrete footings and the greenhouse frame drilled and screwed to the base.

## **IMPORTANT NOTES:**

---

Find someone to help you: it is much easier with someone to hold parts, pass tool sect. Also some steps require two people to lift structures together. This is not very heavy work so would suit most able-bodied people.

Allow plenty of time: rushing often causes errors and the re-doing of incorrect assemblies. If you have never built a shed before, it can take most of a day to carefully complete the construction.

Have the right tools to hand.

Safety clothing as recommended in the 'Tools' section.

Ideally let out the parts and check that all are present before commencing construction. Lay on cloths or plastic sheets if there is any risk of scratching the parts.

Tighten all nuts carefully, being sure not to miss any. Check the frame is square and using a spirit level to check that it is upright.

For your safety concern, please do not stand under the metal shed in heavy wind or snow days.

For safety, please use expansion screws to reinforce the posts to the ground.

Please clear the snow off the roof in time for the heavy snowfall.

Make sure all screws are tightened before use.

Repeat to confirm all screws, buckles and straps every 90 days.

Please keep all screws loose during the assembly process and tighten them after completing the installation.

Do not use or store objects in the Metal Shed with open flames or flammable chemicals.

Please note that some parts have sharp edges and should be handled with gloves.

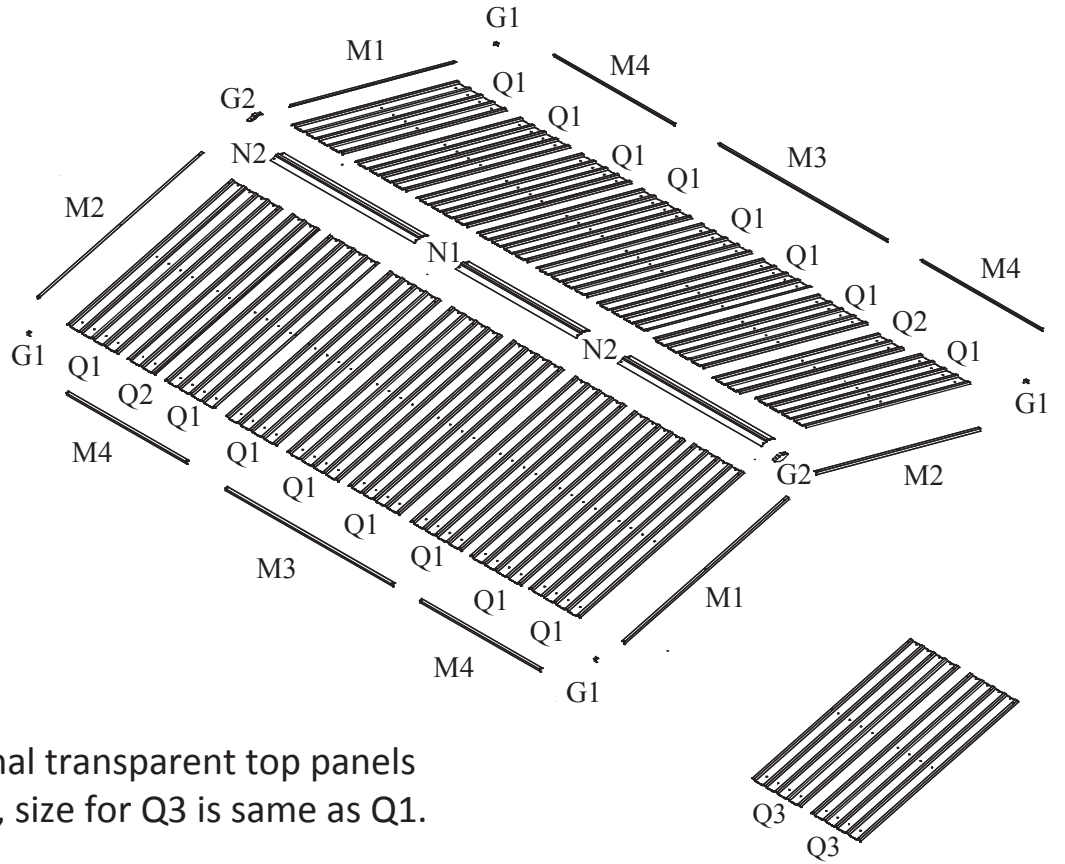
If any parts are missing, broken, damaged or worn, discontinue use of the product until repairs are made or factory replacement parts are installed.

Installation of the product in a manner that does not conform to the manufacturer's instructions may result in the loss of the warranty policy for this product.

**PARTS**

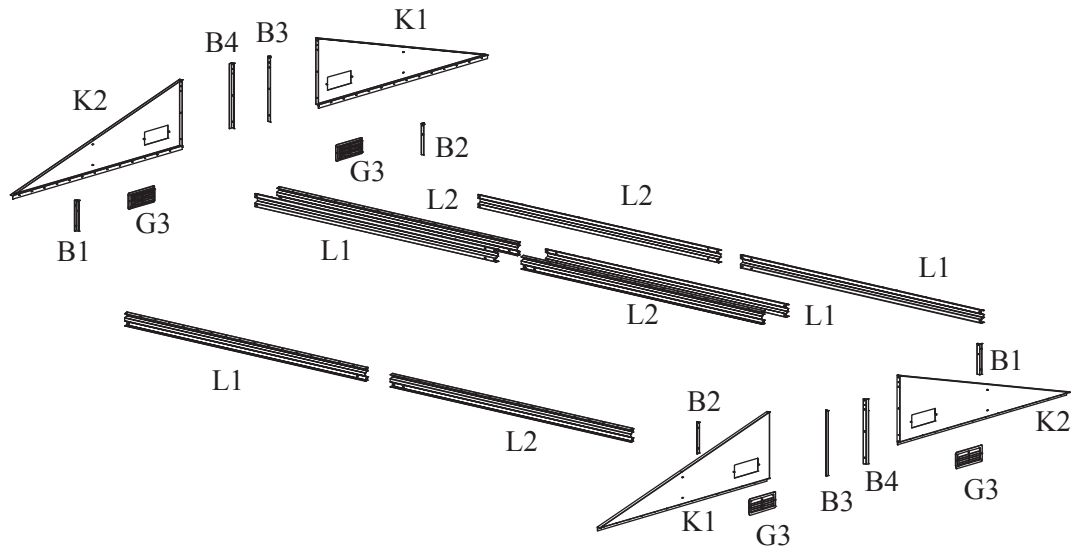
Before installation, please place the parts in the position as shown in the figure below.

Shed top panels	
No.	Qty.
G1	4
G2	2
M1	2
M2	2
M3	2
M4	4
Q1	16
Q2	2
N1	1
N2	2
Q3	2



**Note:** Add two additional transparent top panels Q3, location can be DIY, size for Q3 is same as Q1.

Shed top frame	
No.	Qty.
G3	4
B1	2
B2	2
B3	2
B4	2
K1	2
K2	2
L1	4
L2	4

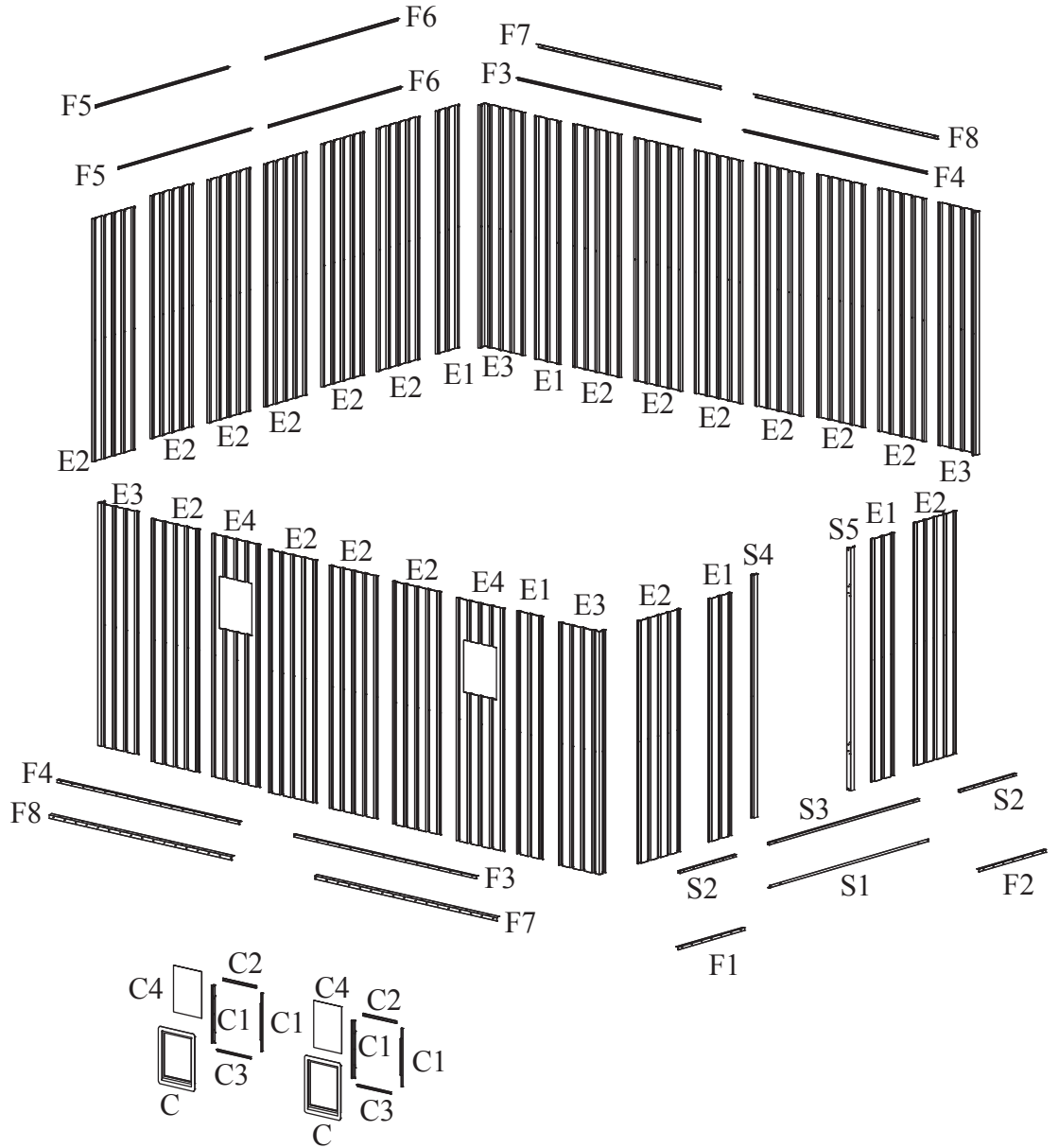


**PARTS**

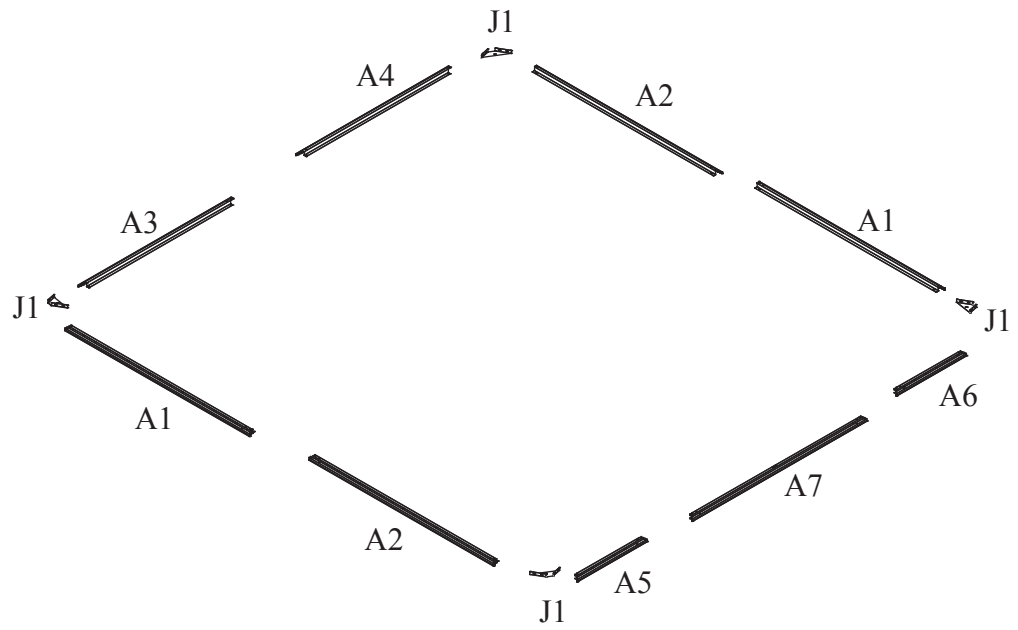
Before installation, please place the parts in the position as shown in the figure below.

Shed Side Frames & Panels

No.	Qty.
C1	4
C2	2
C3	2
C4	2
C	2
F1	1
F2	1
F3	2
F4	2
F5	2
F6	2
F7	2
F8	2
S1	1
S2	2
S3	1
S4	1
S5	1
E1	5
E2	18
E3	4
E4	2



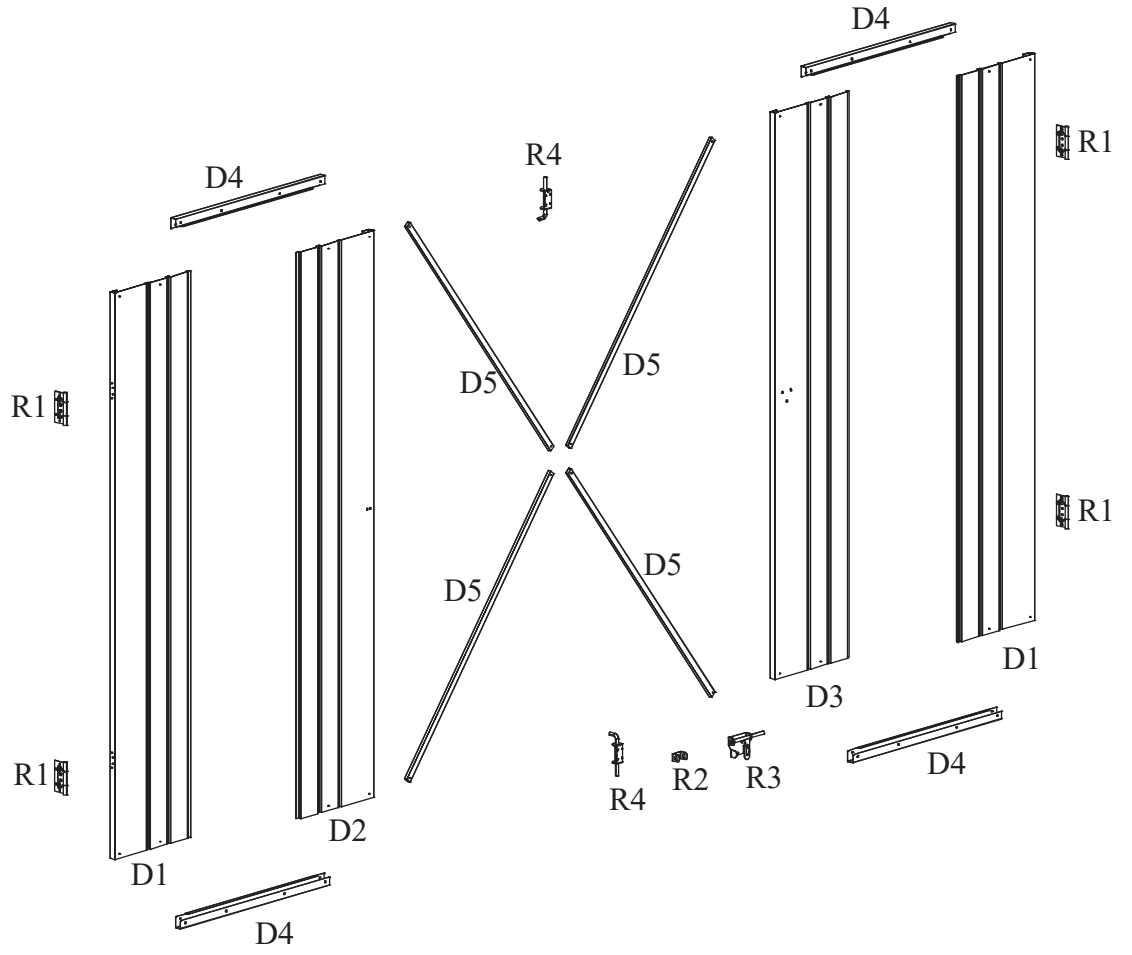
Shed base	
No.	Qty.
A1	2
A2	2
A3	1
A4	1
A5	1
A6	1
A7	1
J1	4



**PARTS**

Before installation, please place the parts in the position as shown in the figure below.


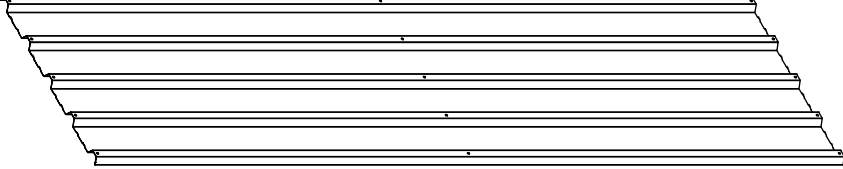
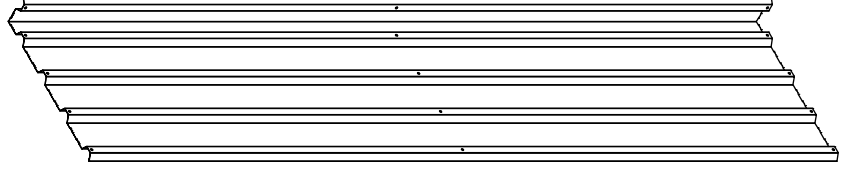

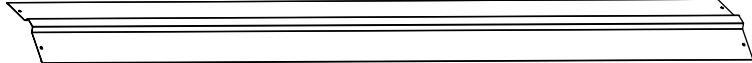
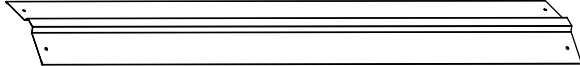
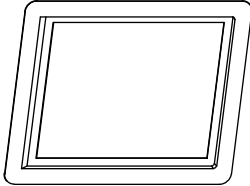
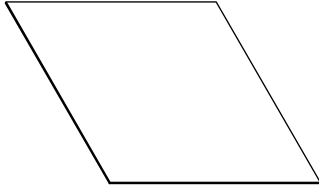
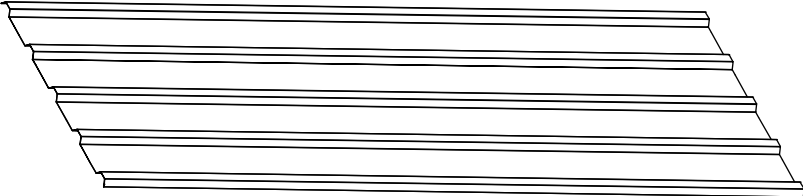
Shed door	
No.	Qty.
D1	2
D2	1
D3	1
D4	4
D5	4
R1	4
R2	1
R3	1
R4	2



# Parts list

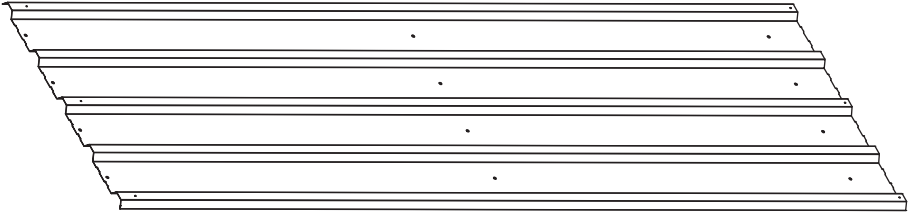
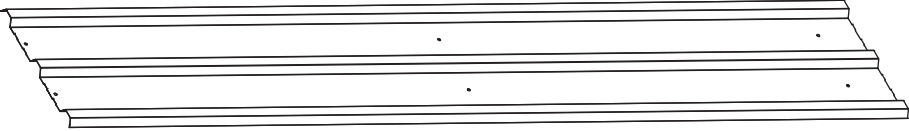
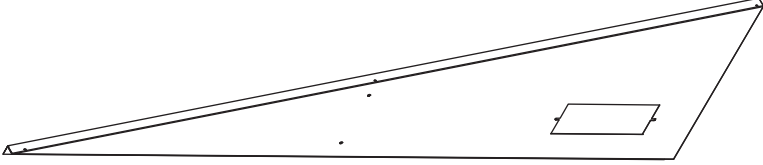
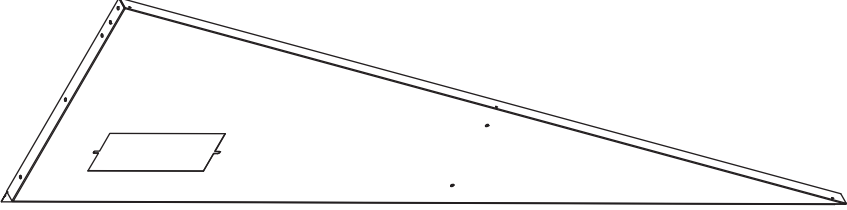
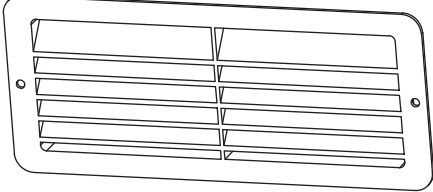
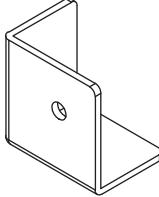
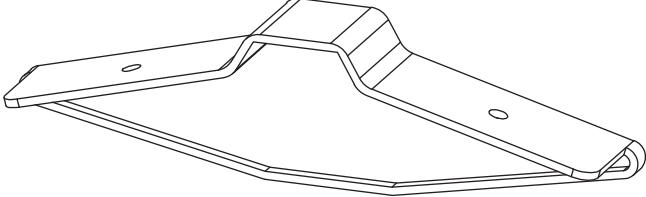
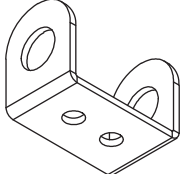
---

Box 1-SKU1007100014C

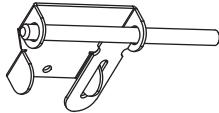
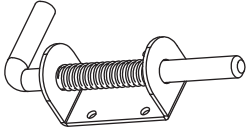
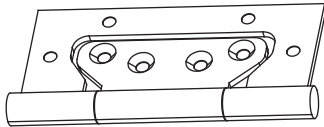
NO.	Qty	Part Image
E1	5	
E2	18	
E3	4	
E4	2	
N1	1	
N2	2	
C	2	
C4	2	
Q3	2	







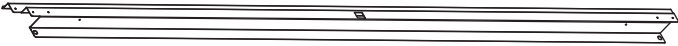

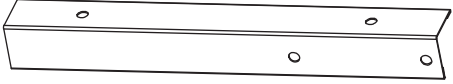
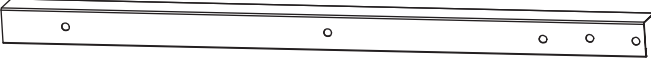
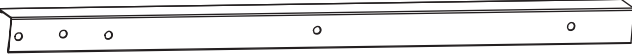

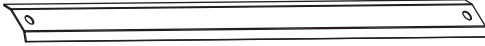




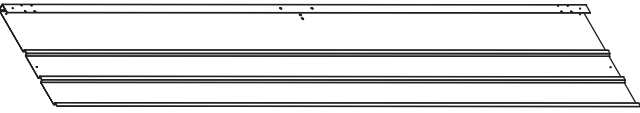
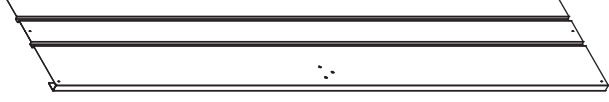

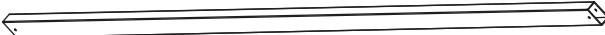
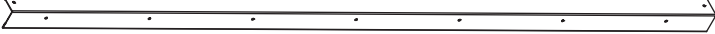




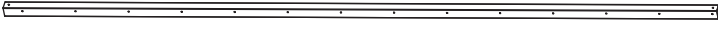


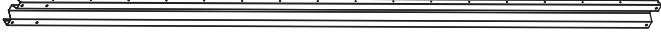



Box 2-SKU1007100015C

NO.	Qty	Part Image
Q1	16	
Q2	2	
K1	2	
K2	2	
G3	4	
G1	4	
G2	2	
R2	1	

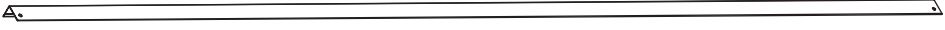
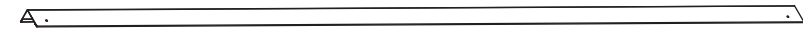

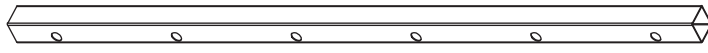
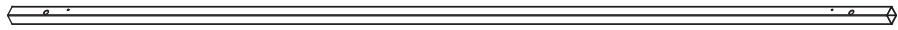


Box 2-SKU1007100015C

NO.	Qty	Part Image
R3	1	
R4	2	
R1	4	
Instruction Manual		
Hardware		

NO.	Qty	Part Image
A1	2	
A2	2	
A3	1	
A4	1	
A5	1	
A6	1	
A7	1	
B1	2	
B2	2	
B3	2	
B4	2	
C1	4	
C2	2	
C3	2	
D1	2	


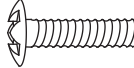

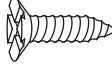
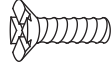
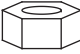
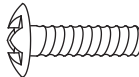

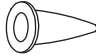



NO.	Qty	Part Image
D2	1	
D3	1	
D4	4	
D5	4	
F1	1	
F2	1	
F3	2	
F4	2	
F5	2	
F6	2	
F7	2	
F8	2	
L1	4	
L2	4	
M1	2	
M2	2	

Box 3-SKU1007100016C

NO.	Qty	Part Image
M3	2	
M4	4	
S1	1	
S2	2	
S3	1	
S4	1	
S5	1	

# HARDWARE

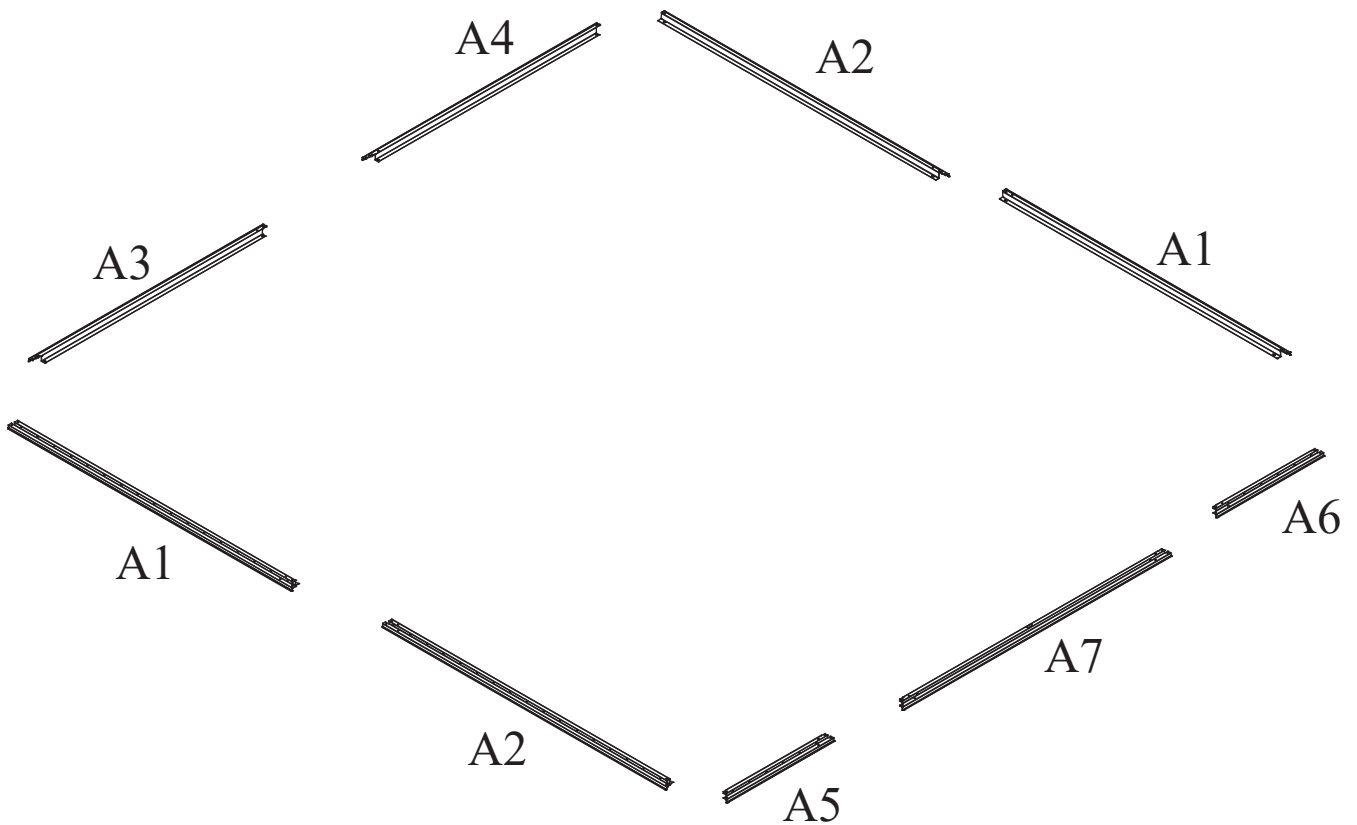
---

Part	Description	Qty	Extra	Part Image
H1	M4*10mm bolt	659	32	
H2	M4*15mm bolt	46	5	
H3	M4 nut	46	5	
H4	M5*16mm bolt	16	2	
H5	M5*12mm bolt	16	2	
H6	M5 nut	21	3	
H7	M5*12mm bolt	5	1	
T1	Washer	686	35	
T2	Screw Cover	659	32	
J1	Corner Base	4	0	
J2	Stake	9	0	
J3	Expansion Bolt	4	0	

**Base Exploded View**

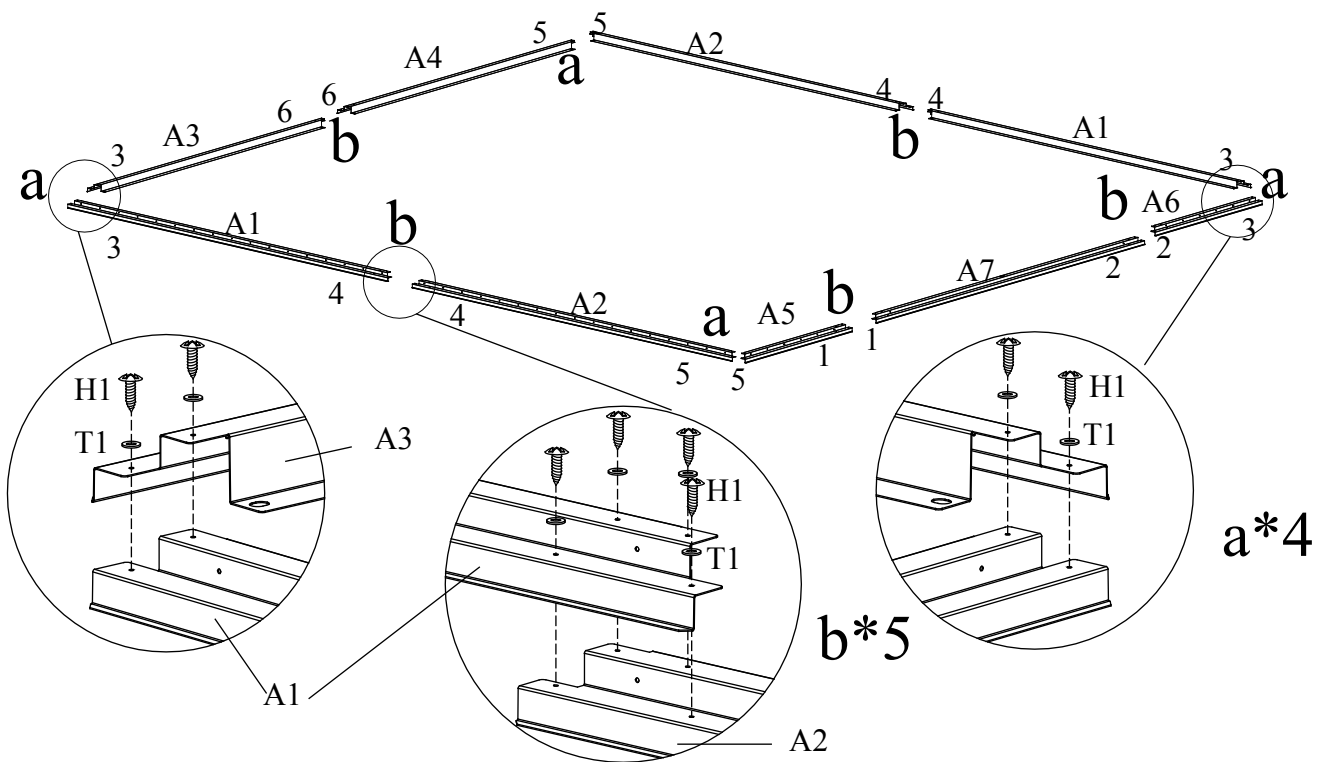
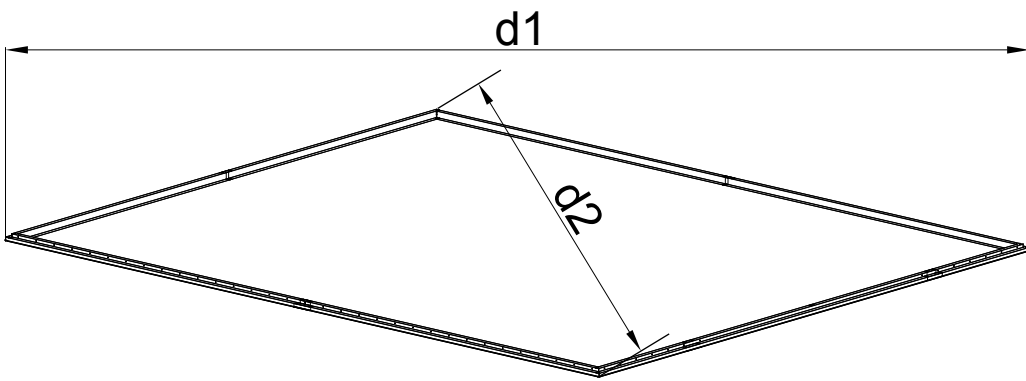
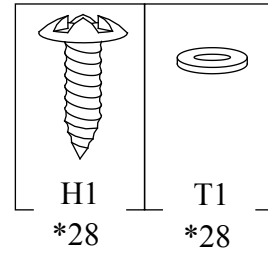
Before installation, please place the parts in the position as shown in the figure below.

Shed base	
No.	Qty.
A1	2
A2	2
A3	1
A4	1
A5	1
A6	1
A7	1
J1	4



# Step.1

	A1*2
	A2*2
	A3*1
	A4*1
	A5*1
	A6*1
	A7*1



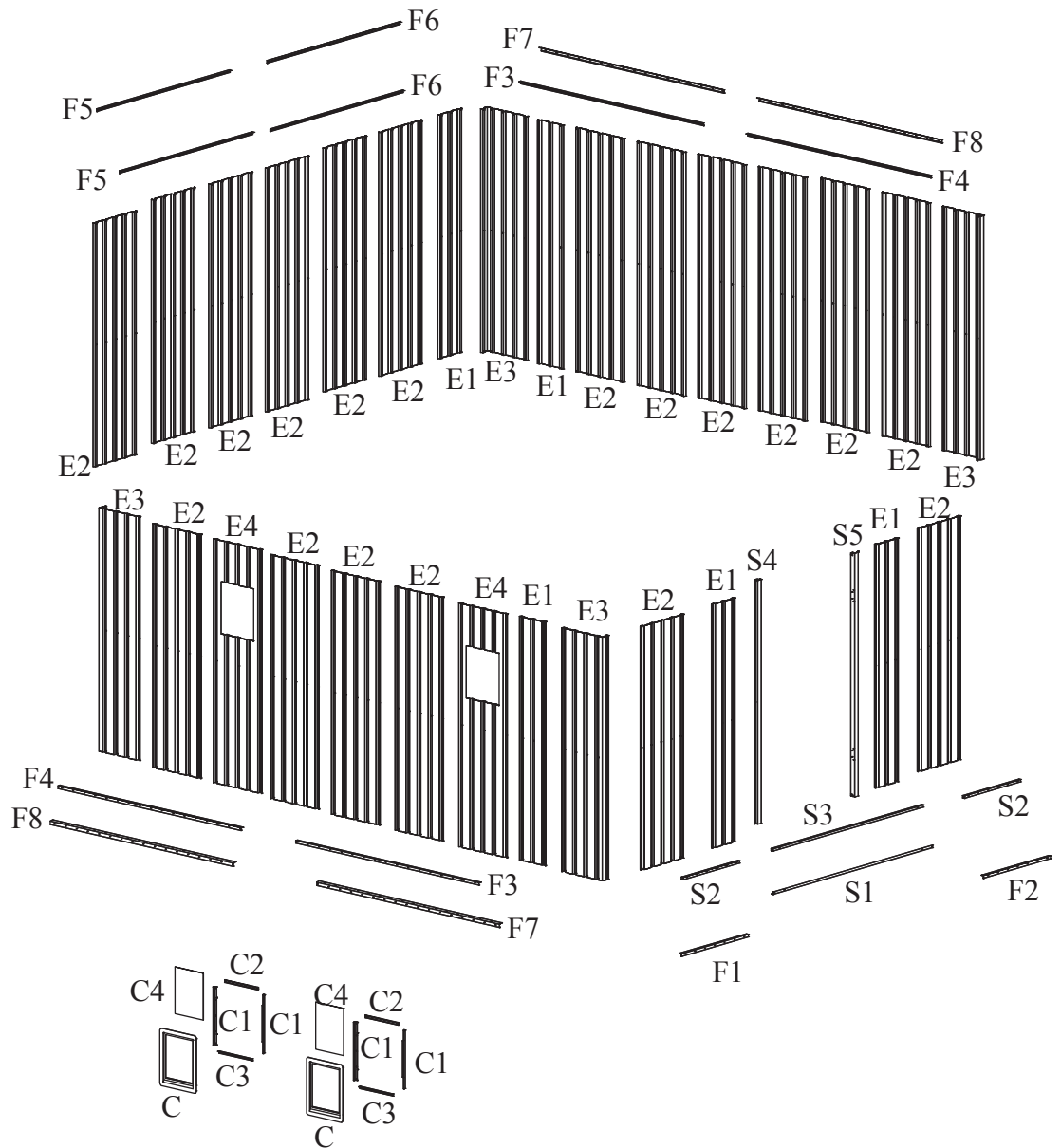
**Note:** Find the corresponding numbered parts and install them as shown in the picture. The shed base must be BOTH square AND level or the holes will not line. Make sure  $d1$  equal to  $d2$ , when diagonal measurements are equal, the frame is square. (This is for avoiding misalignment of the doors or holes during the installation).



**Frame Exploded View**

Before installation, please place the parts in the position as shown in the figure below.

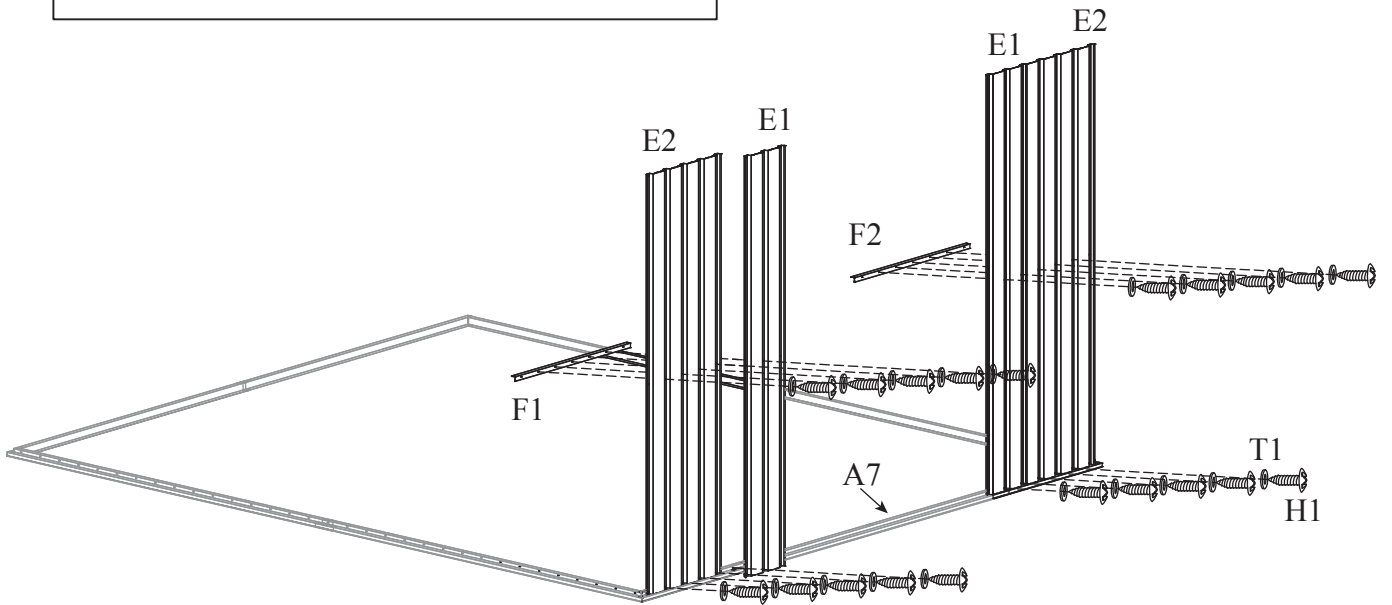
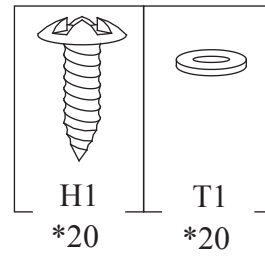
Shed Side Frames & Panels	
No.	Qty.
C1	4
C2	2
C3	2
C4	2
C	2
F1	1
F2	1
F3	2
F4	2
F5	2
F6	2
F7	2
F8	2
S1	1
S2	2
S3	1
S4	1
S5	1
E1	5
E2	18
E3	4
E4	2



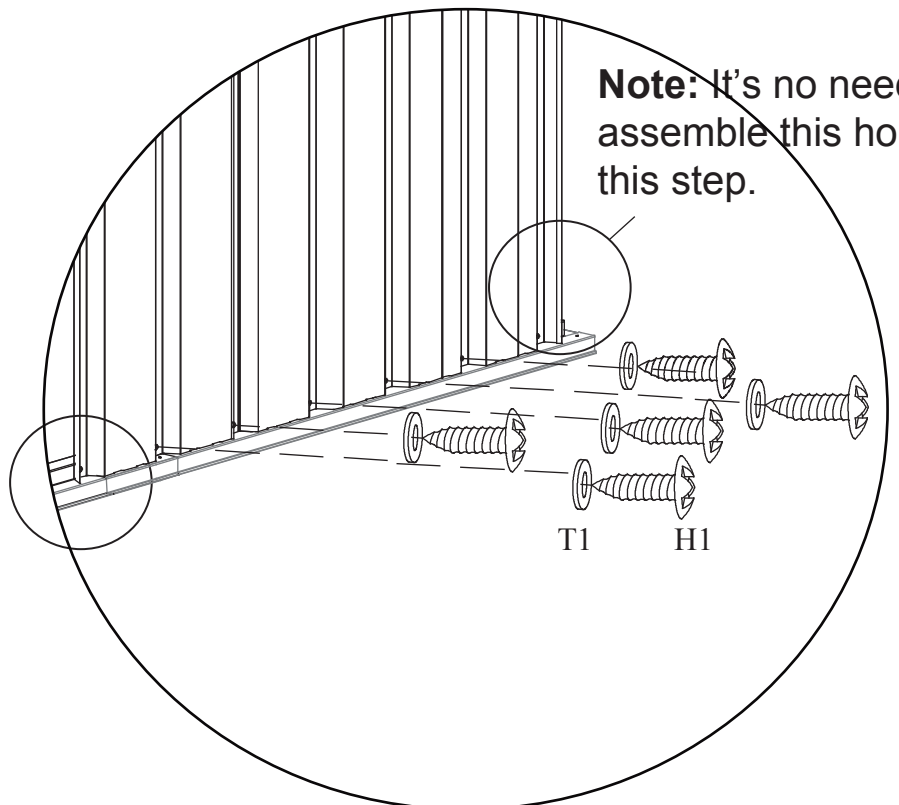
**Note:** The black side should be facing out.

# Step.2

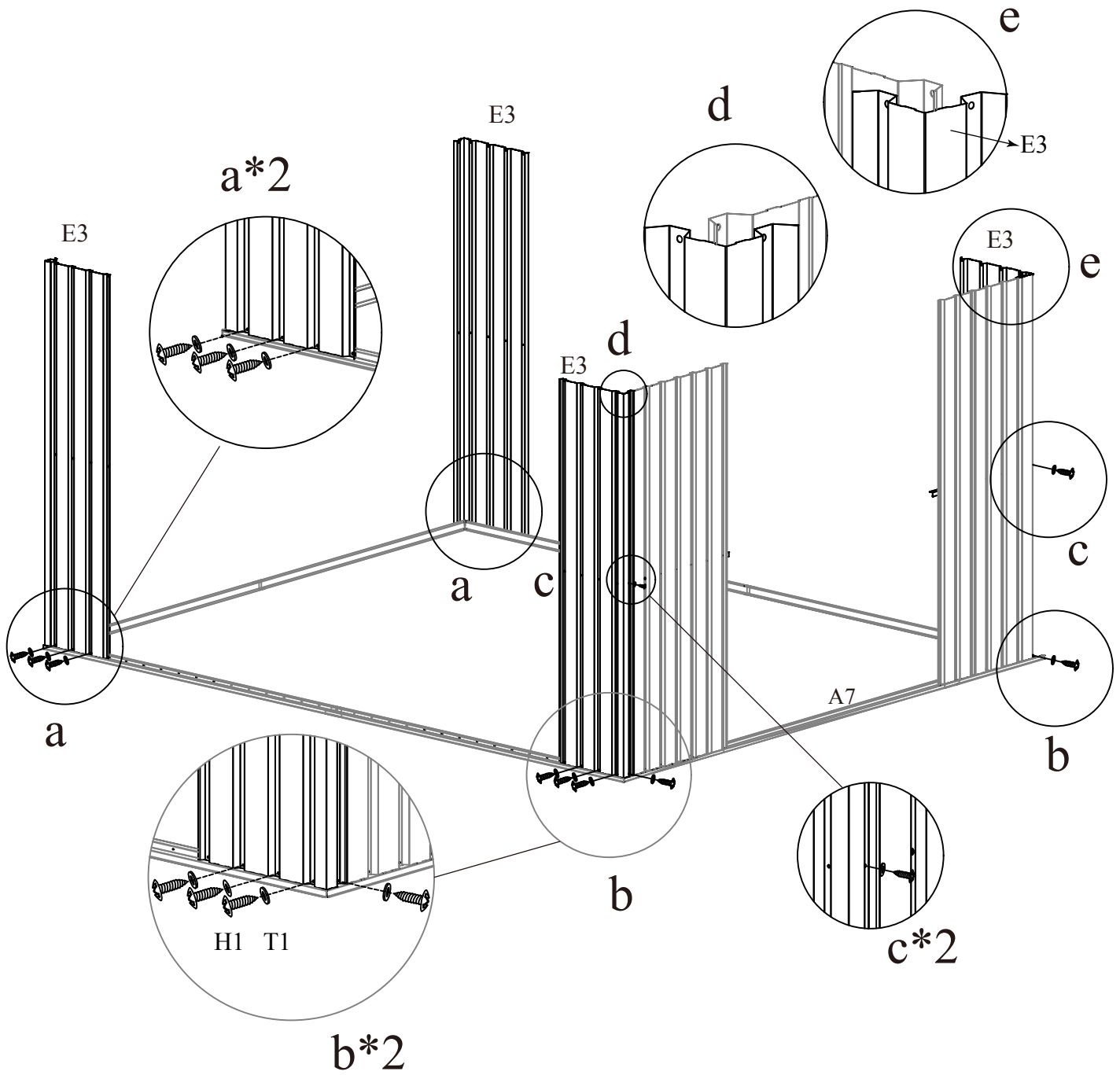
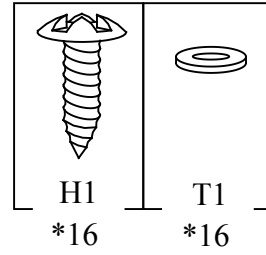
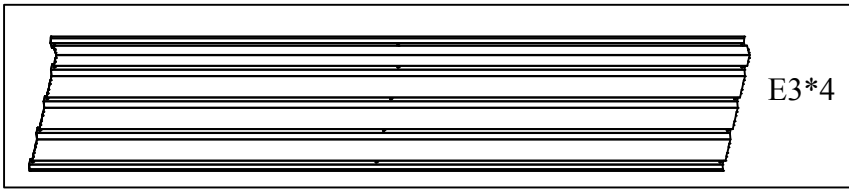
	E1*2
	E2*2
	F1*1
	F2*1







**Note:** It's no need to assemble this hole at this step.

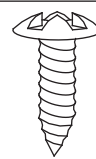



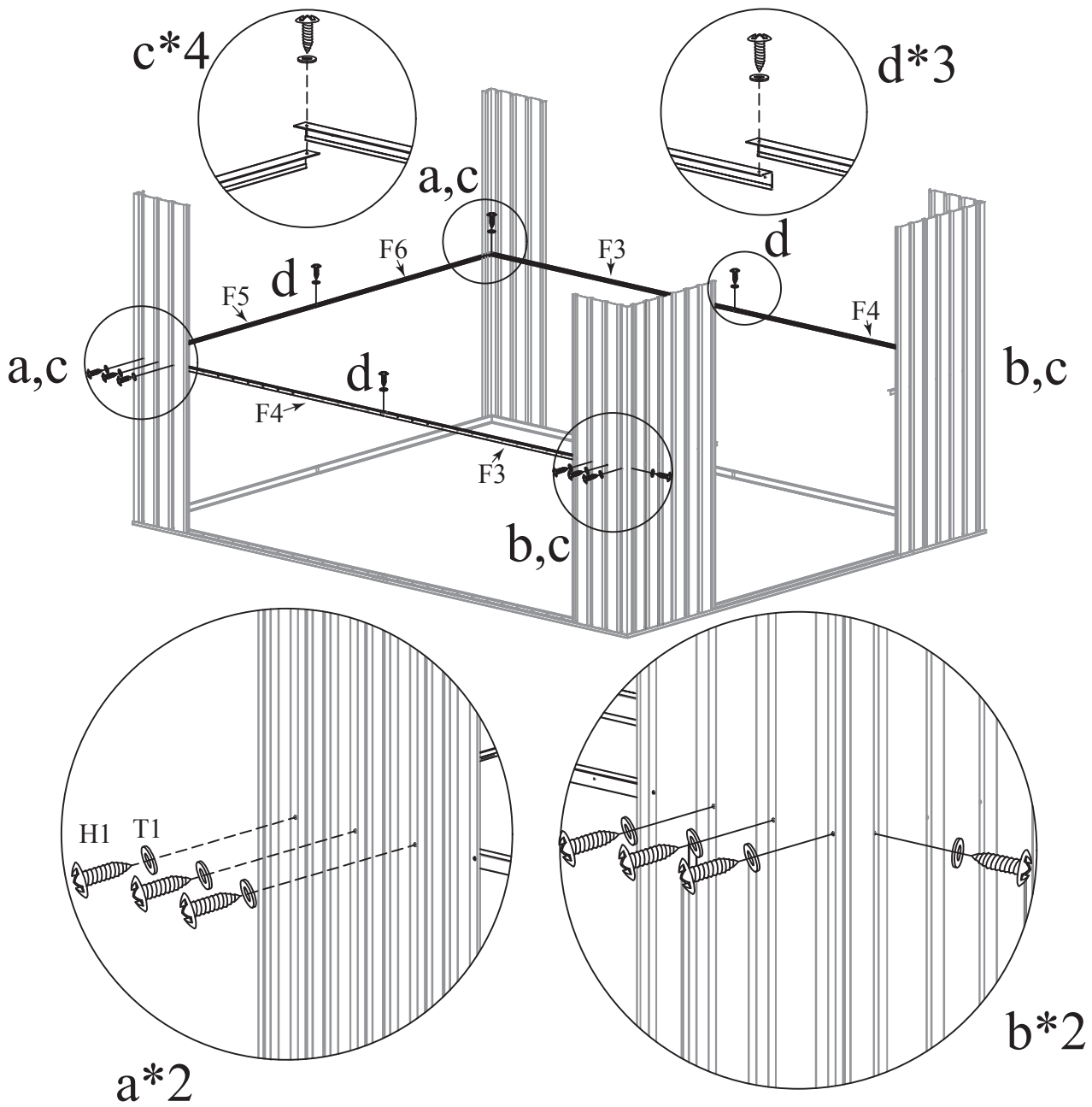
# Step.3





# Step.4

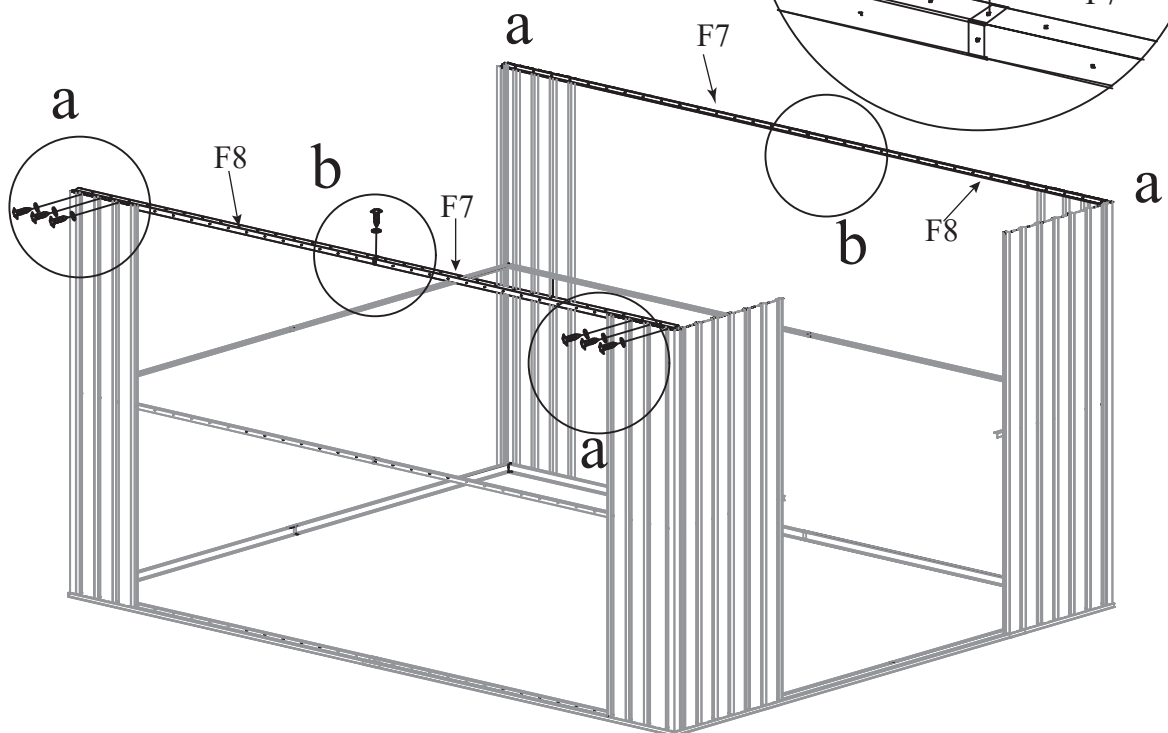
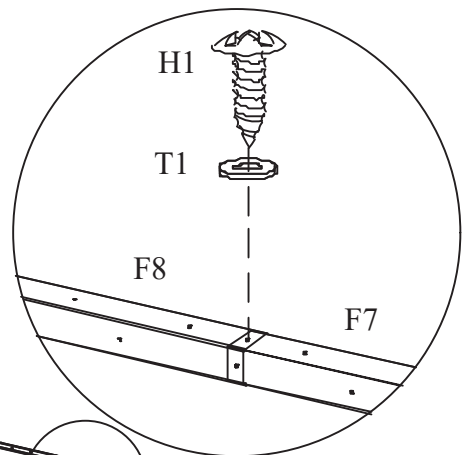
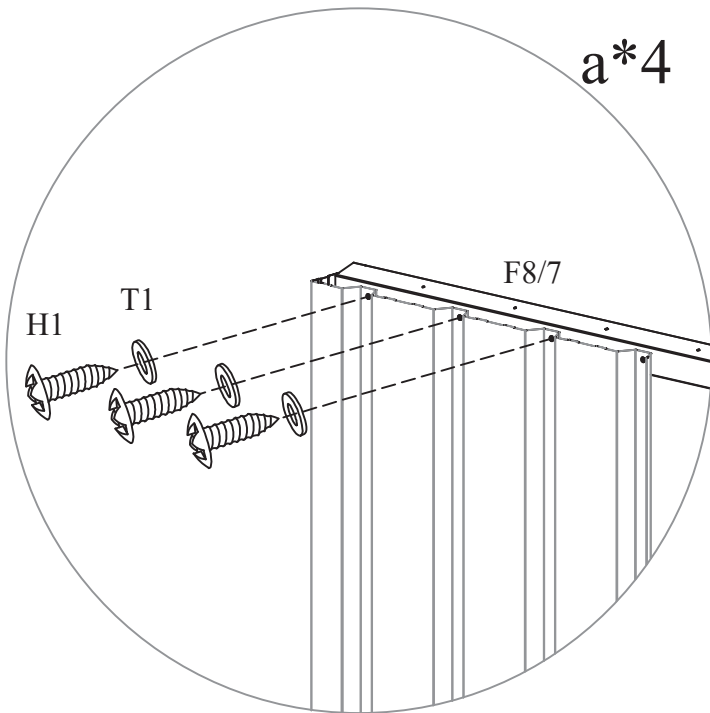
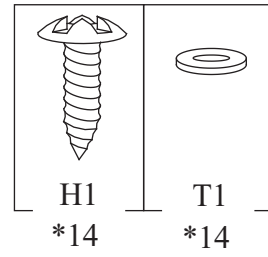
	F5*1
	F6*1
	F3*2
	F4*2

	
H1	T1
*21	*21

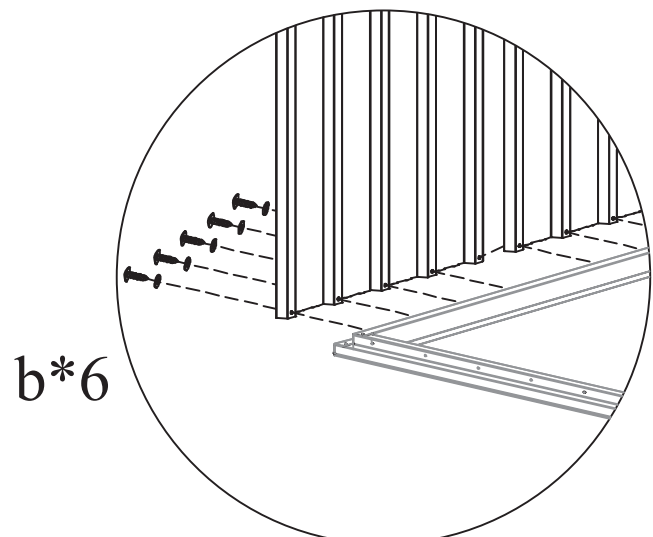
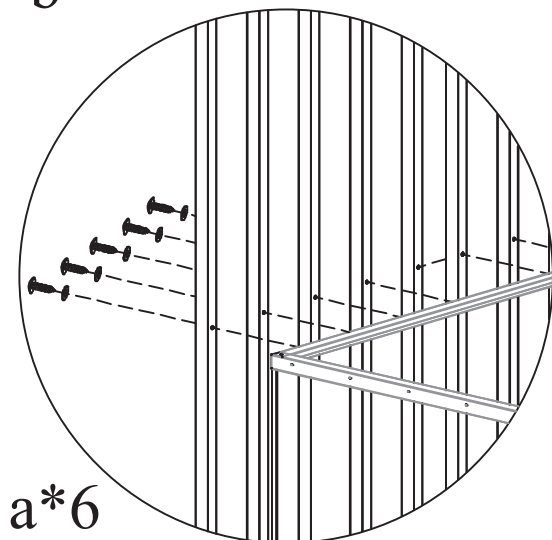
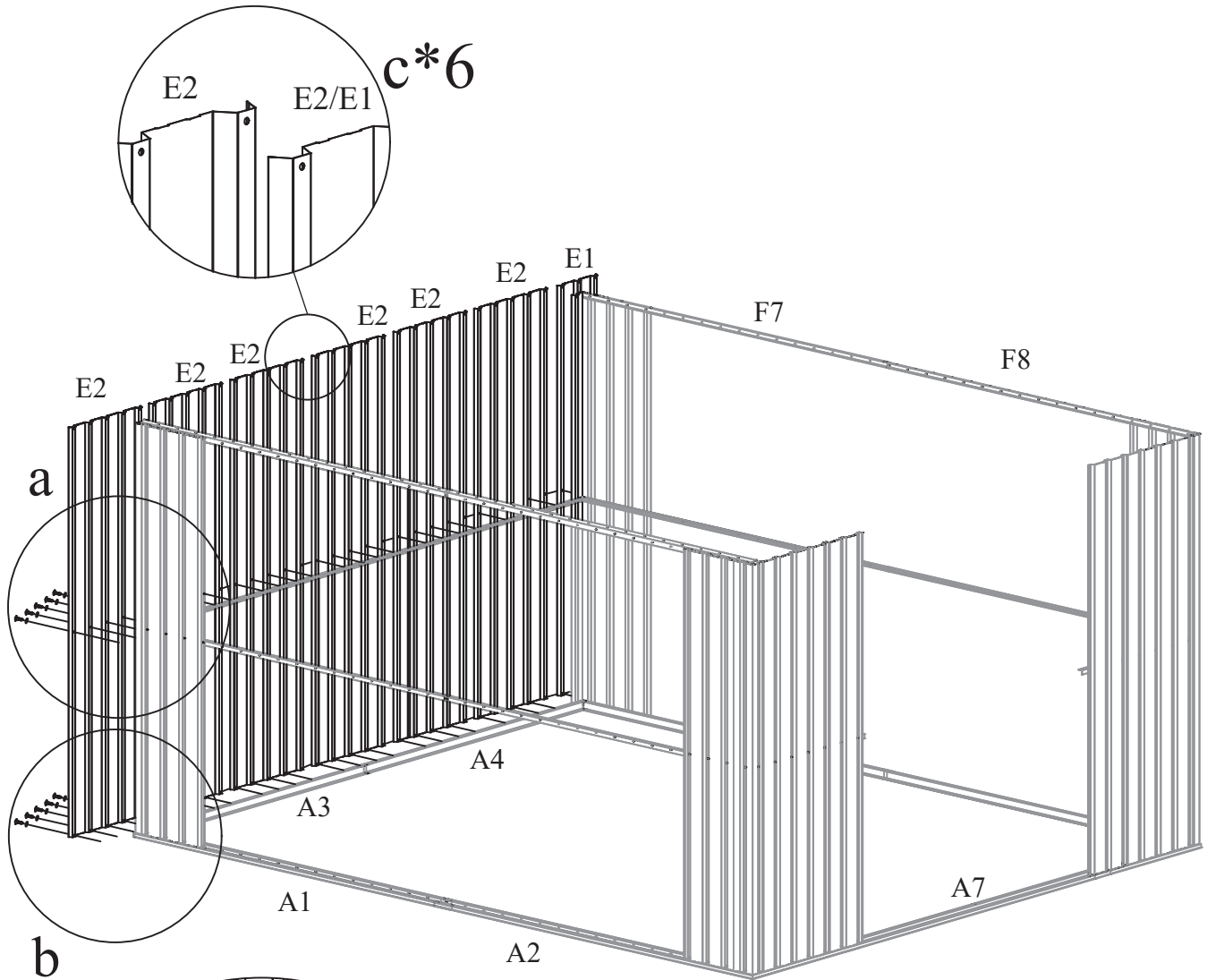
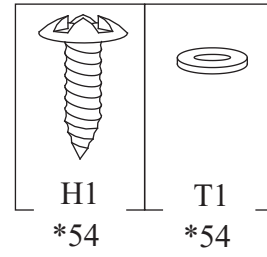
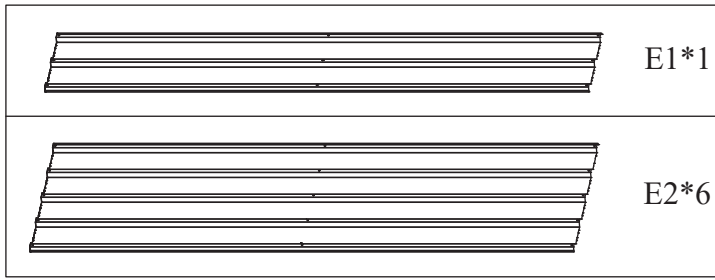


# Step.5

	F8*2
	F7*2



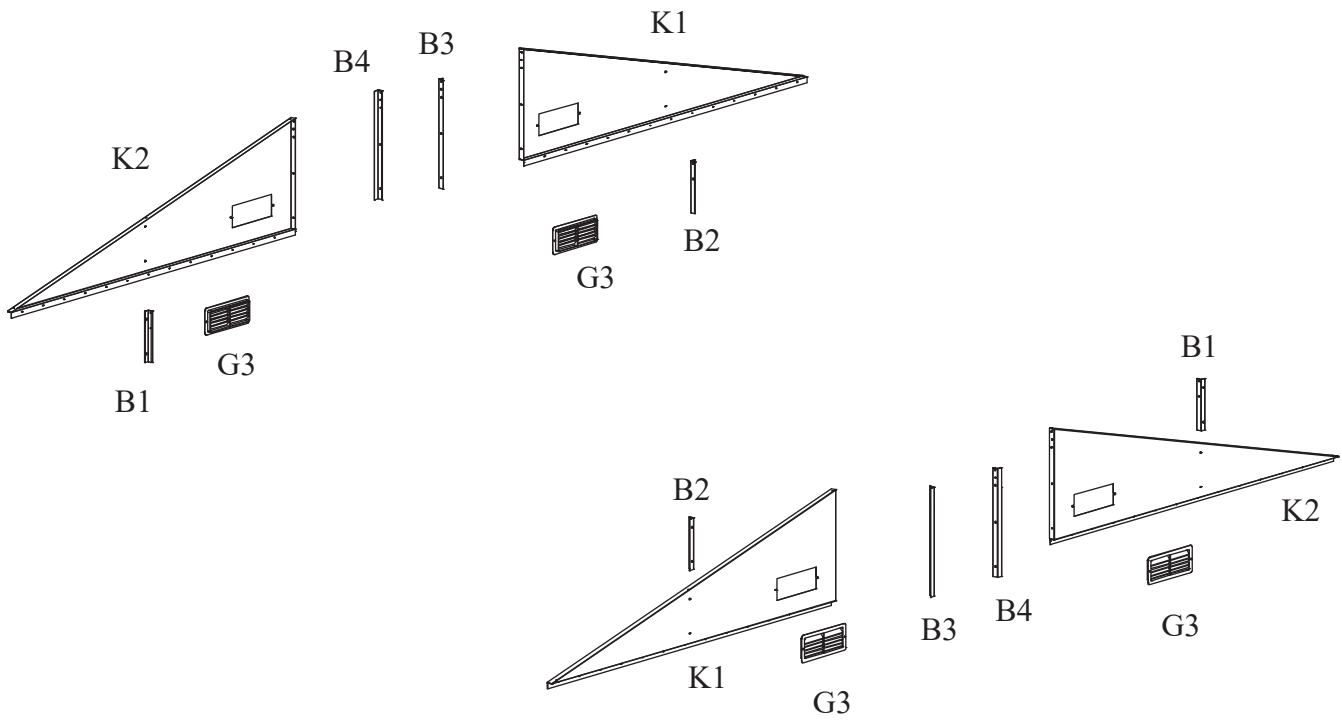
# Step.6



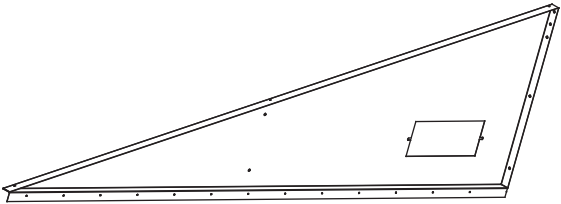
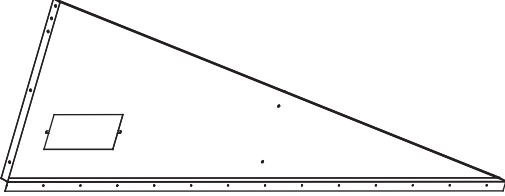




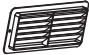
## Triangular Panel Exploded View

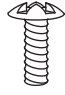


Before installation, please place the parts in the position as shown in the figure below.

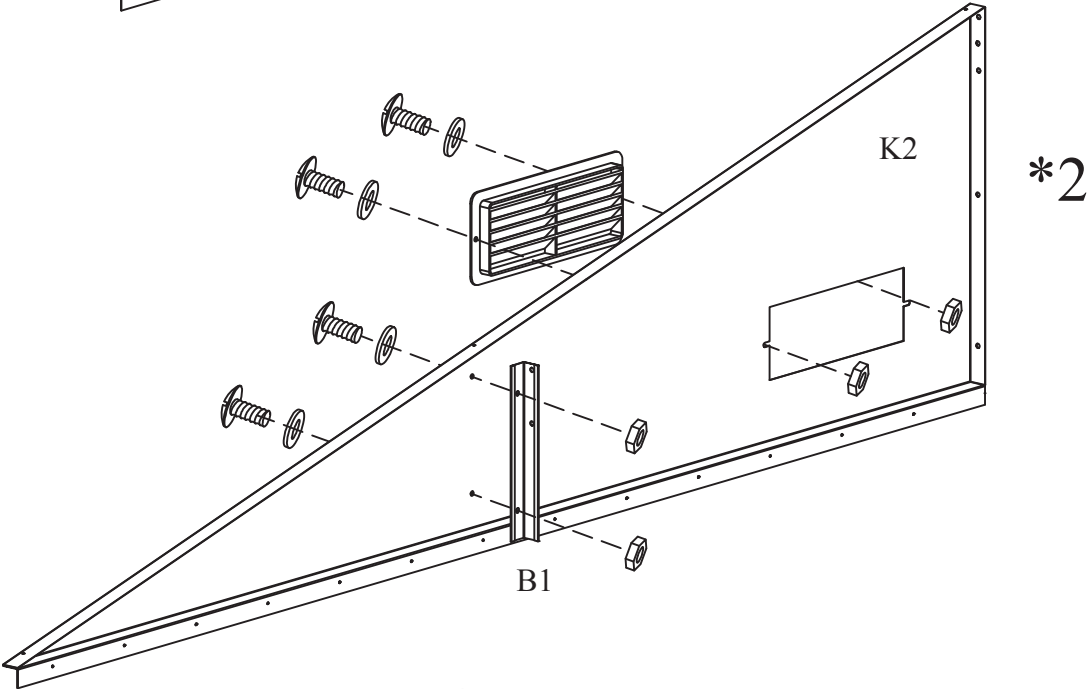
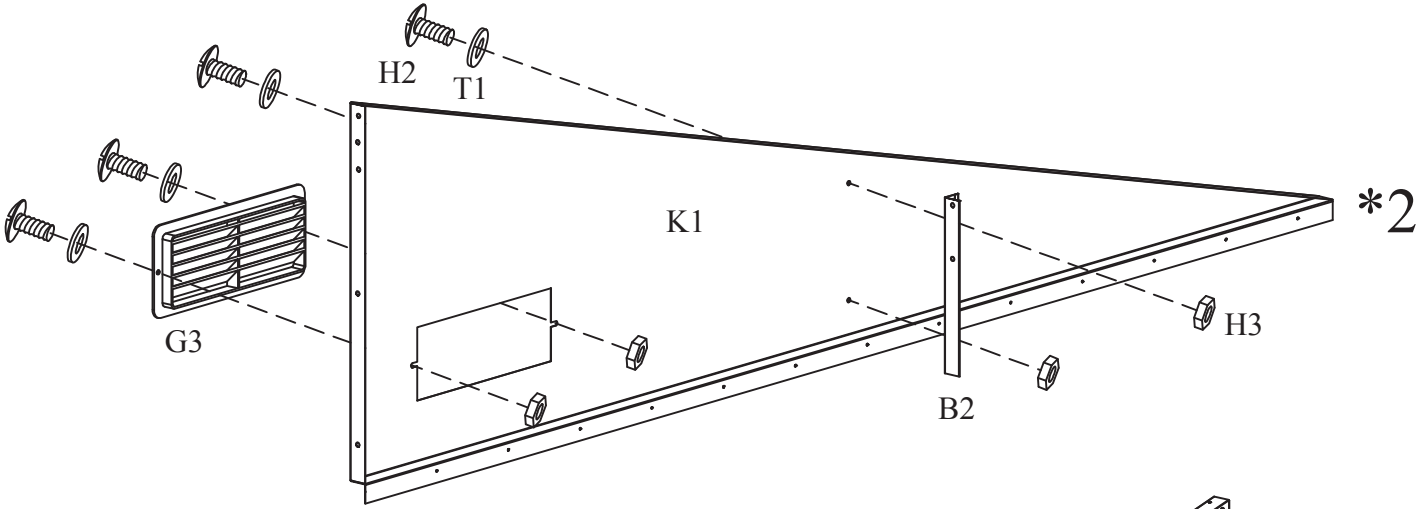
Shed top triangular panel	
No.	Qty.
G3	4
B1	2
B2	2
B3	2
B4	2
K1	2
K2	2



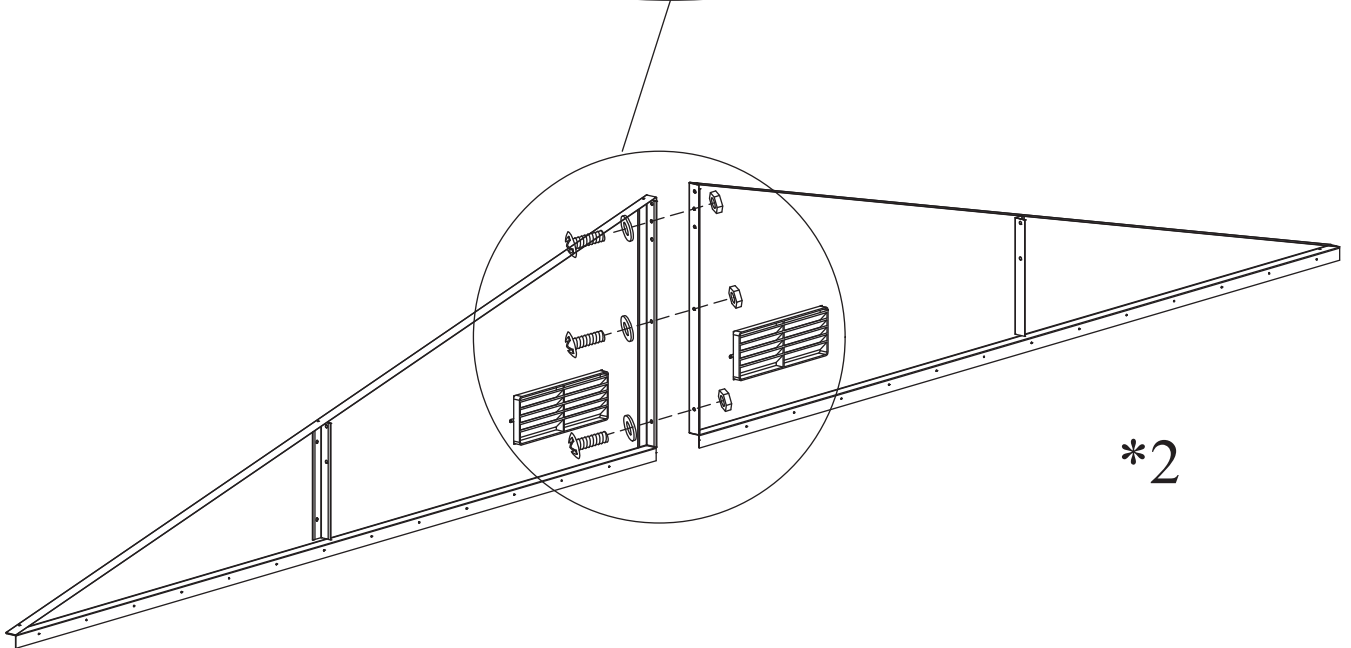
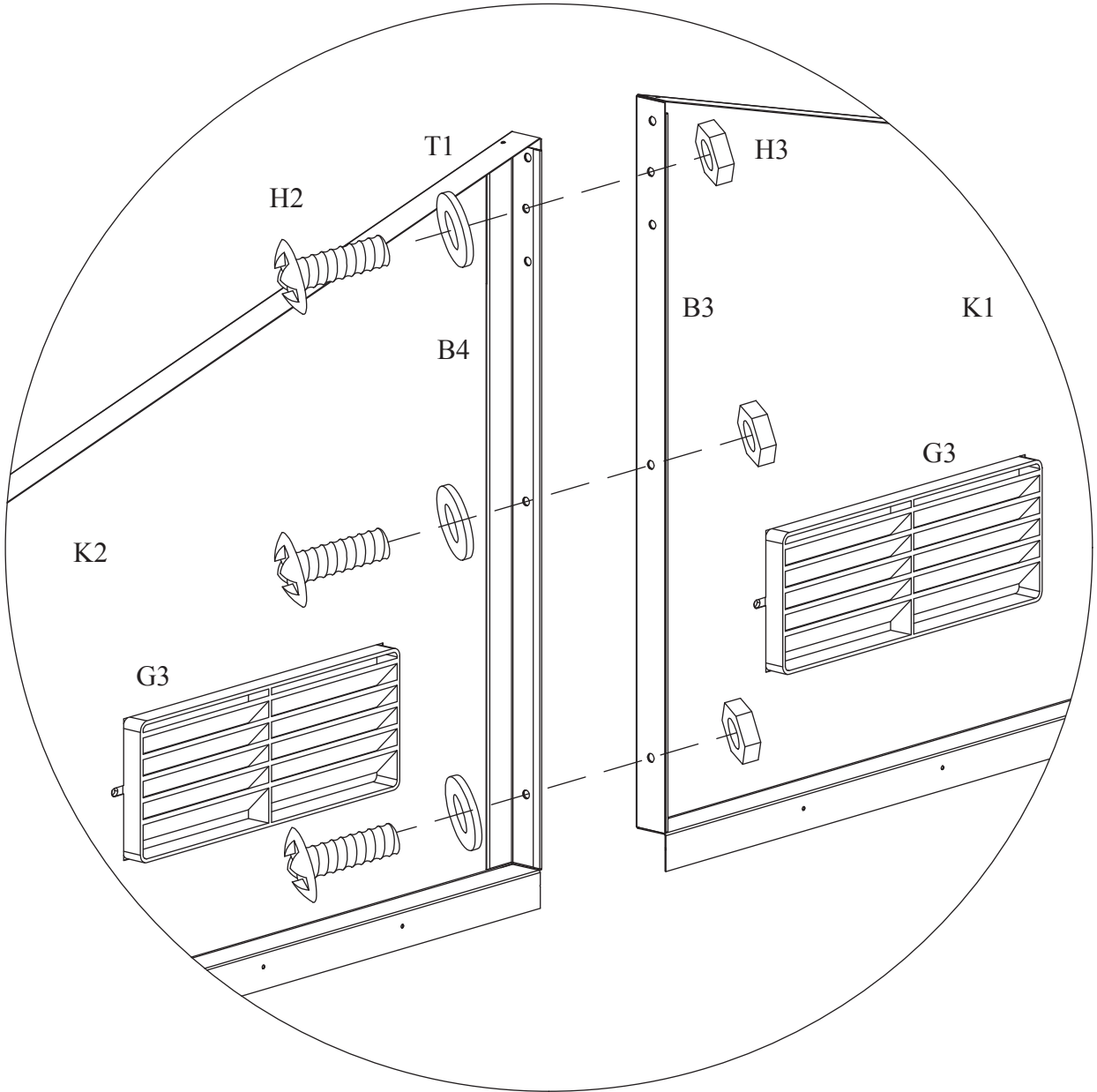
# Step.7

	K2*2
	K1*2
	B1*2
	B2*2
	B3*2
	B4*2
	G3*4

		
H2	T1	H3
*22	*22	*22

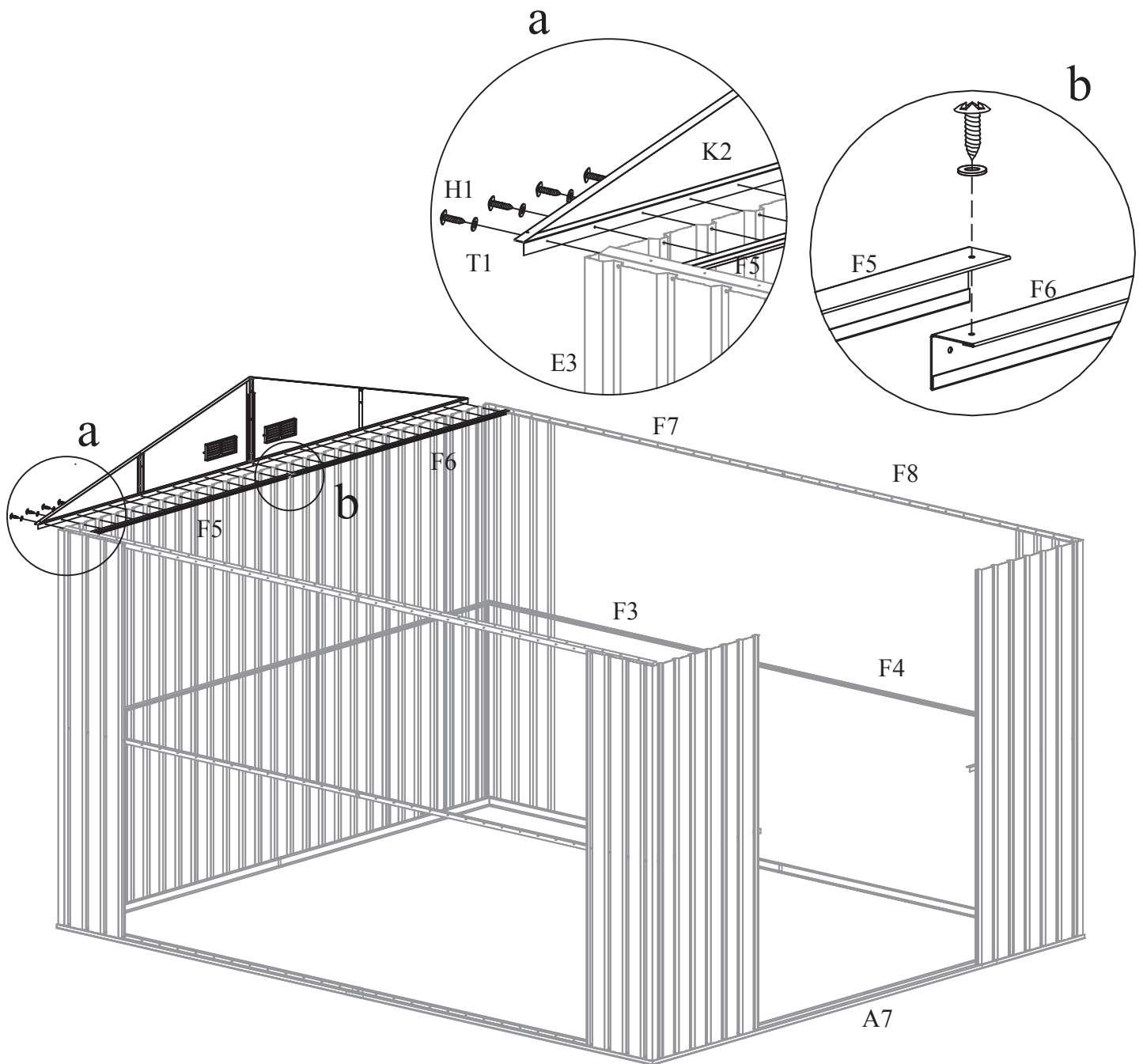
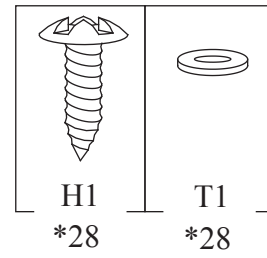
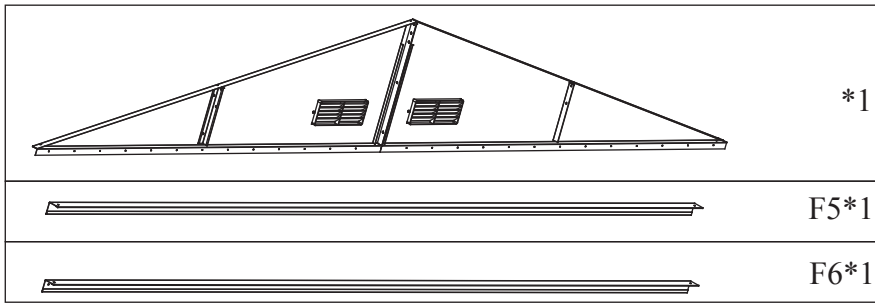





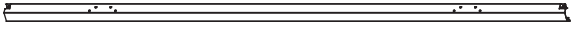


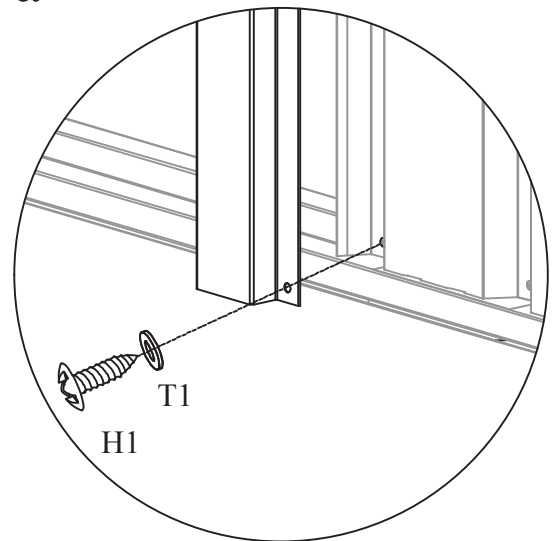
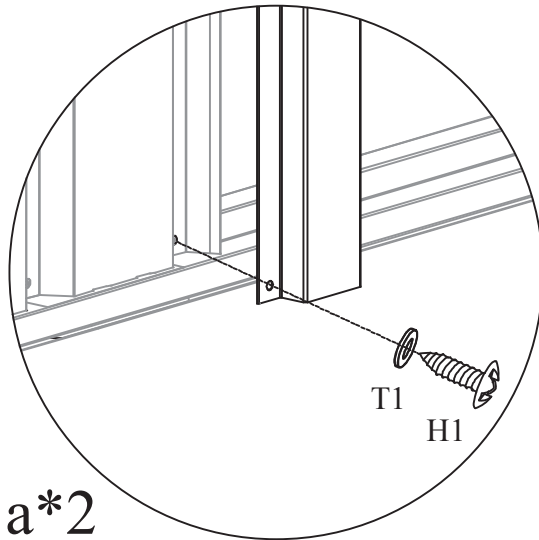
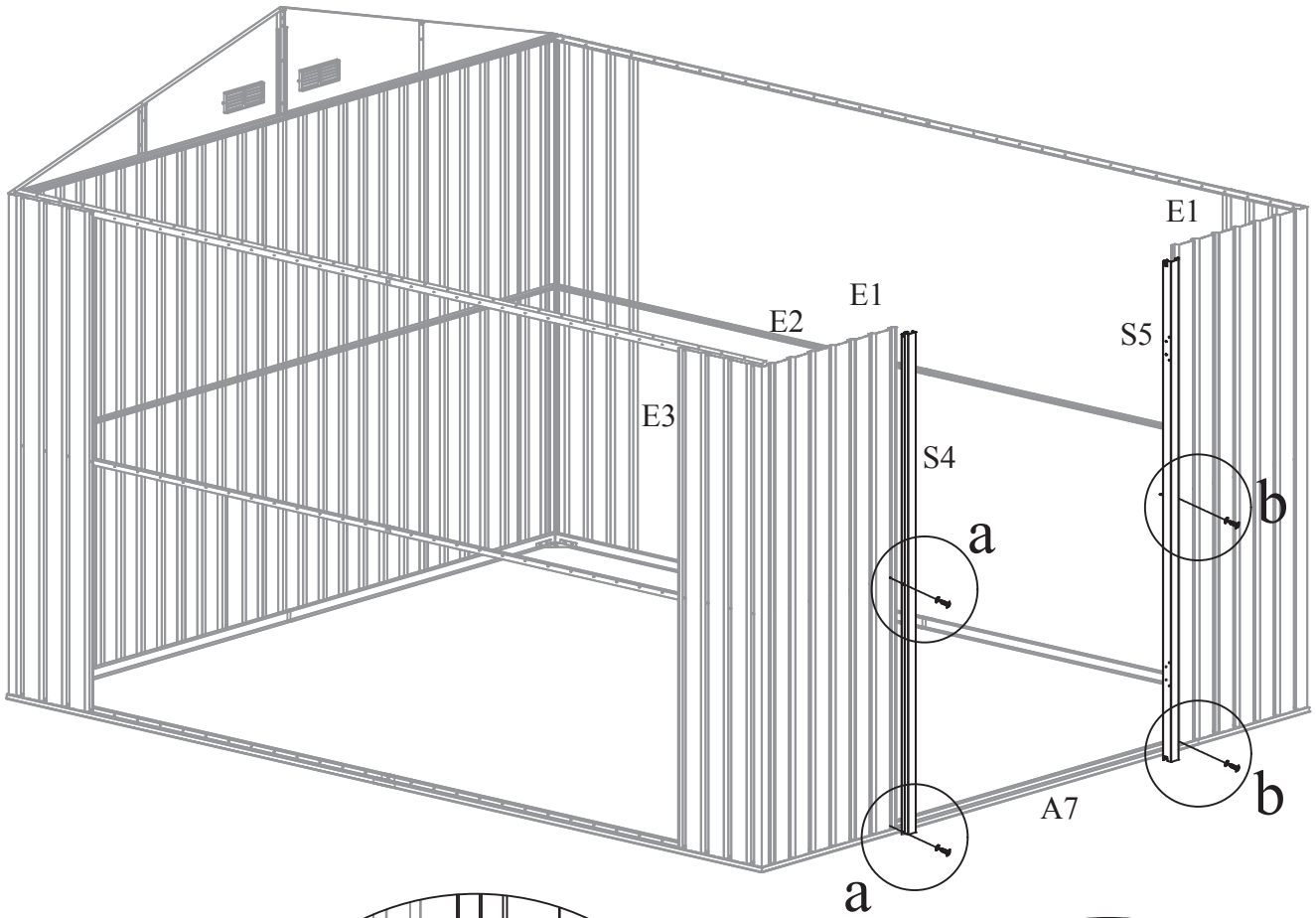
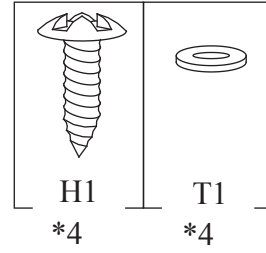
\*2

# Step.8




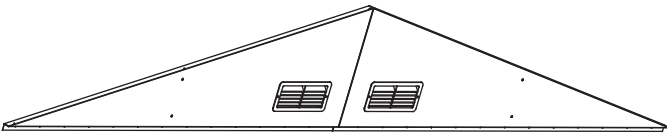


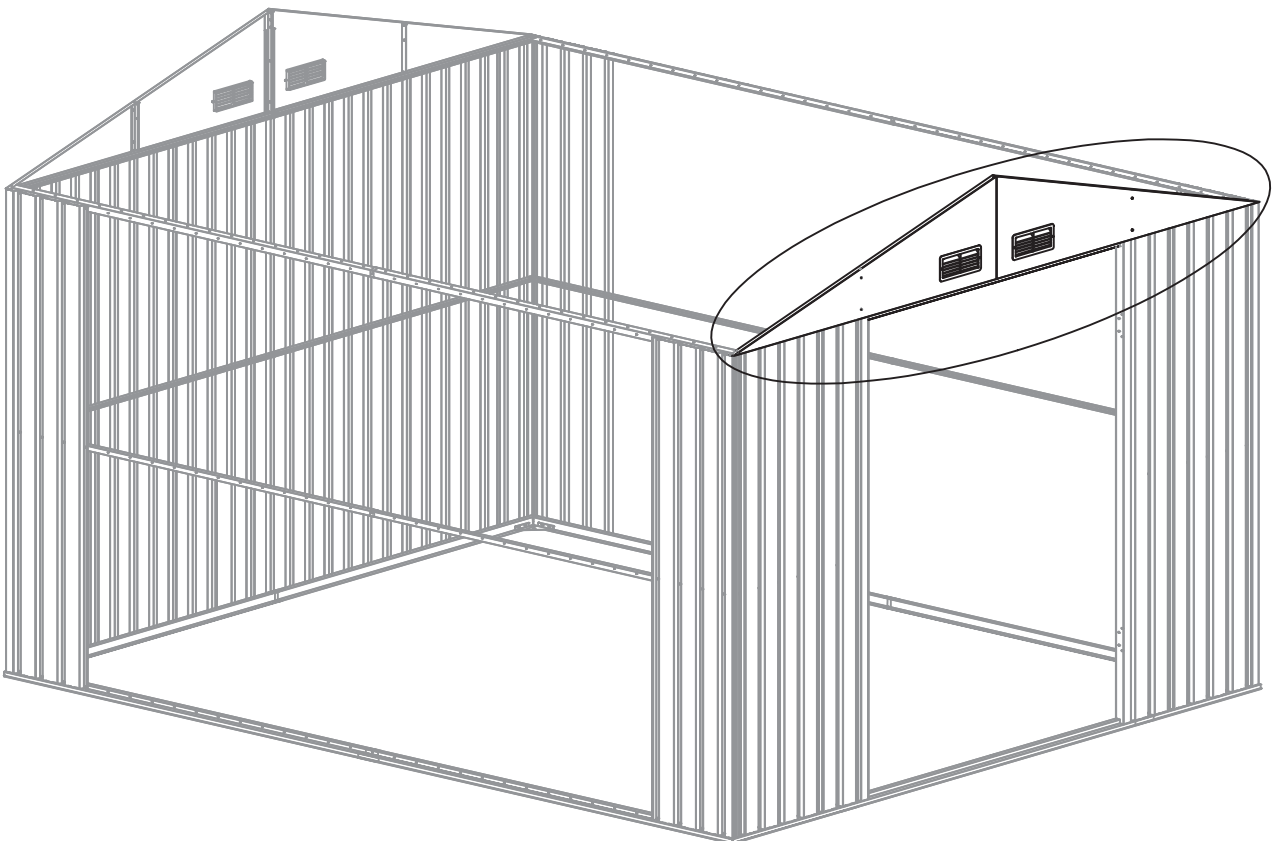
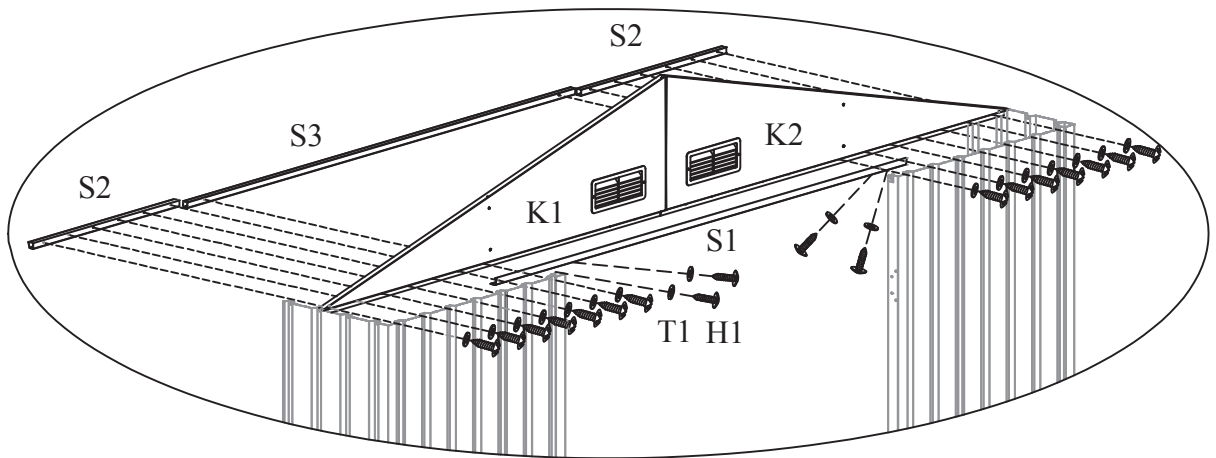
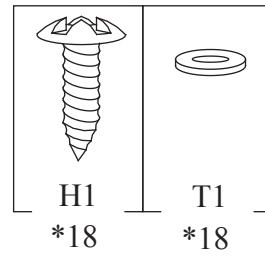
# Step.9

	S4*1
	S5*1

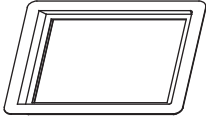
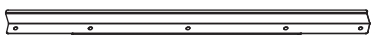



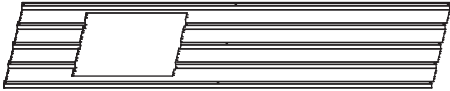


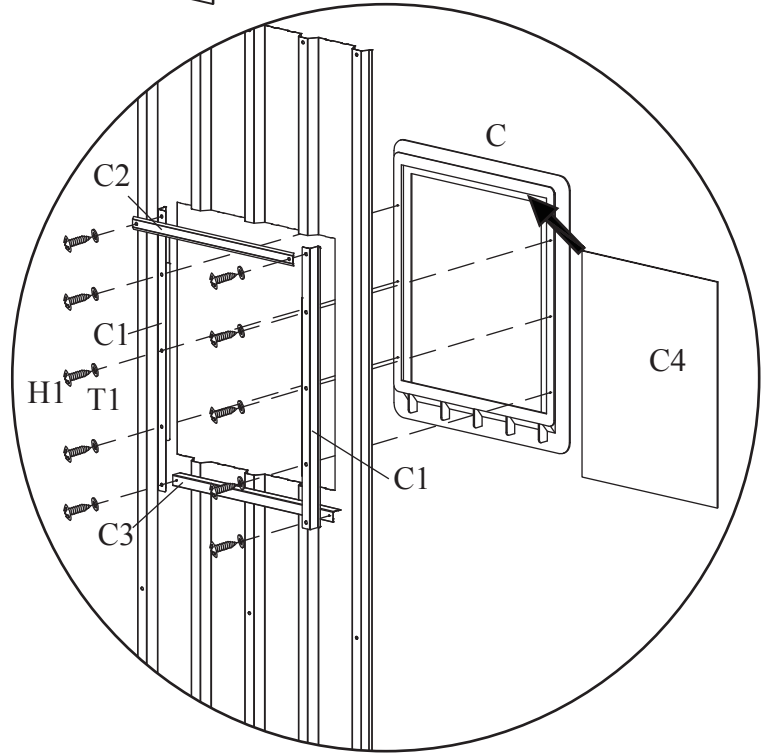
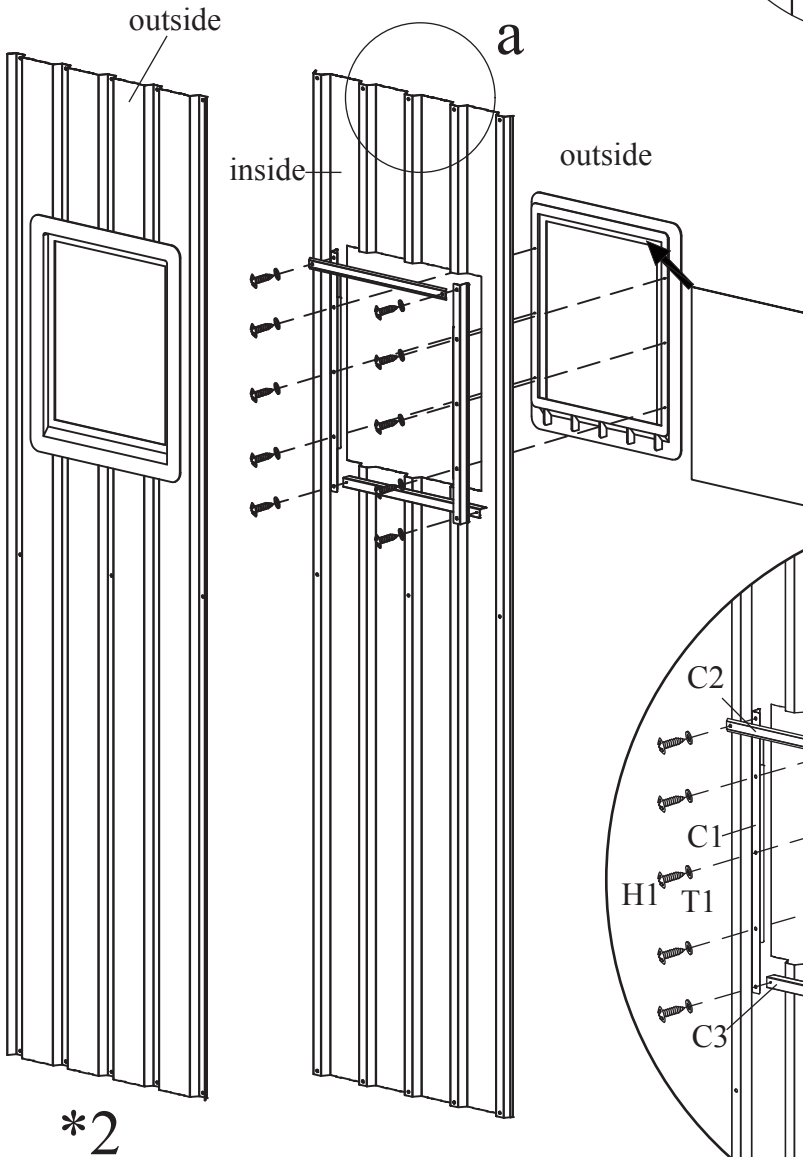
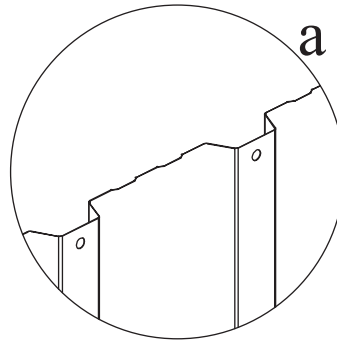
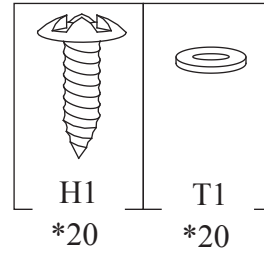
# Step.10

	S1*1
	S2*2
	S3*1
	*1

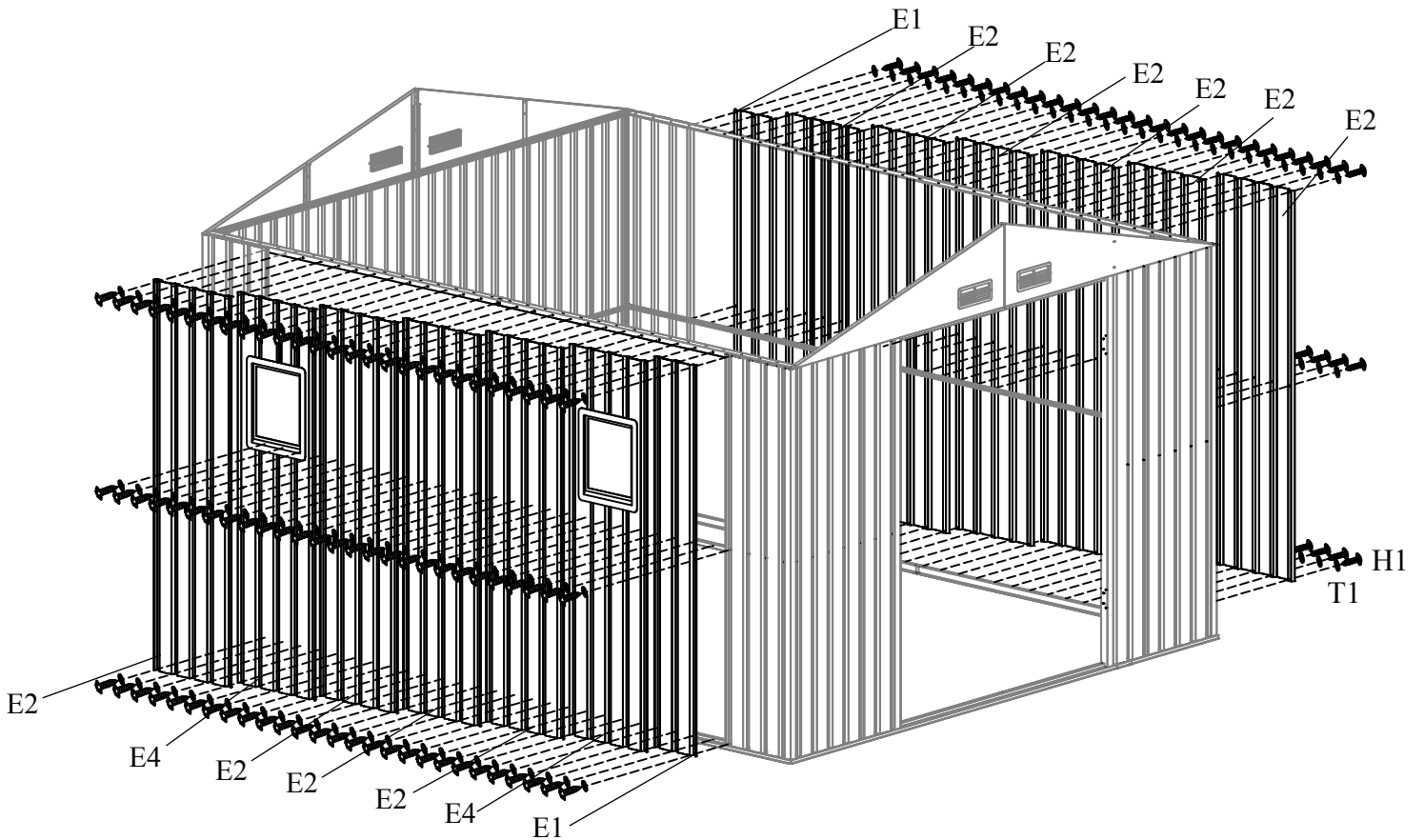
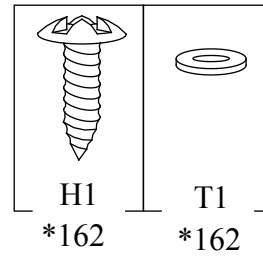
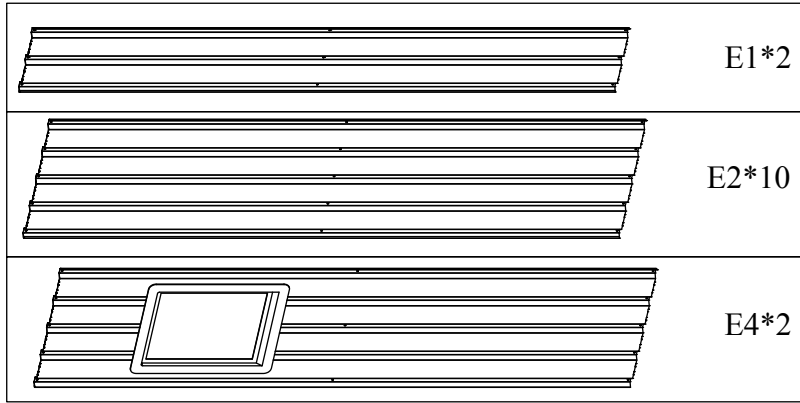


# Step.11

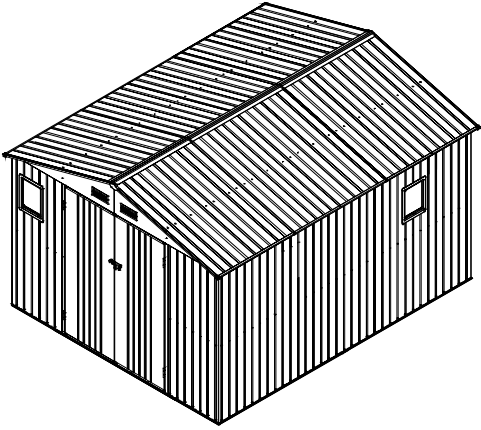
	C*2
	C1*4
	C2*2
	C3*2
	C4*2
	E4*2



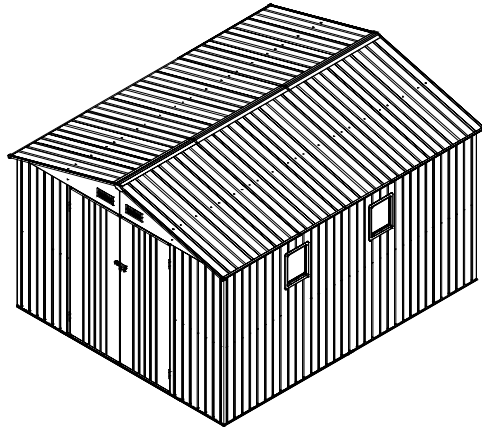
# Step.12



**Note:** E2 and E4 could be assembled interchangeably.

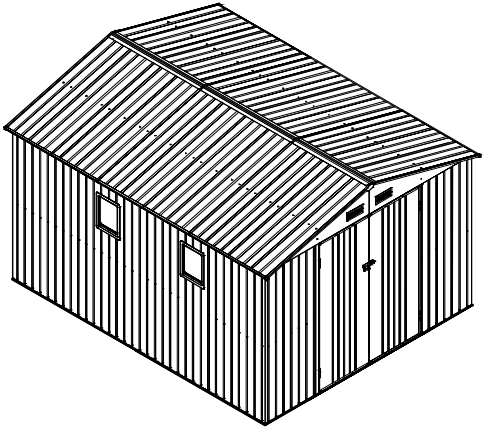


&

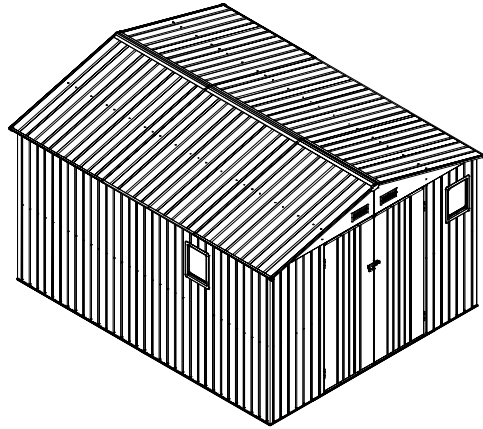


&

&



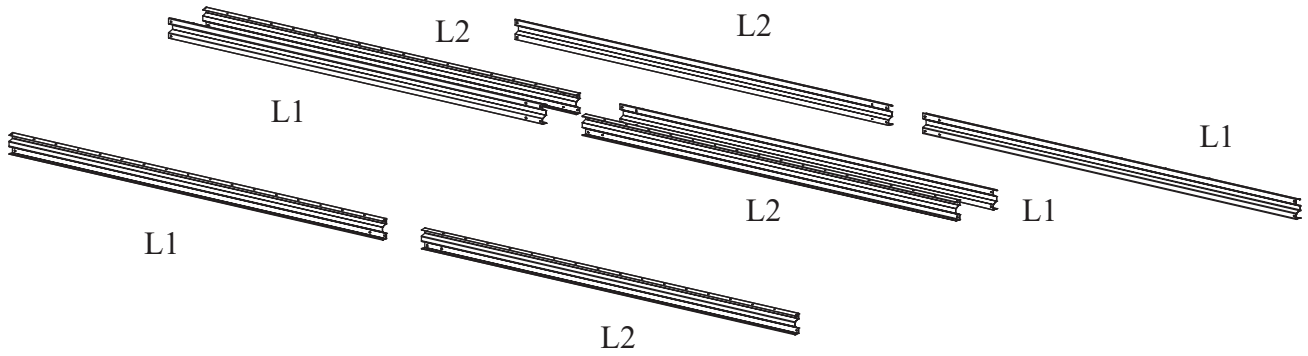
&



### Top Frame Exploded View

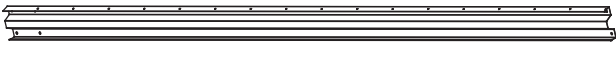
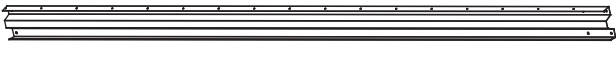
Before installation, please place the parts in the position as shown in the figure below.

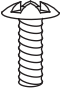

Shed top frame	
No.	Qty.
L1	4
L2	4

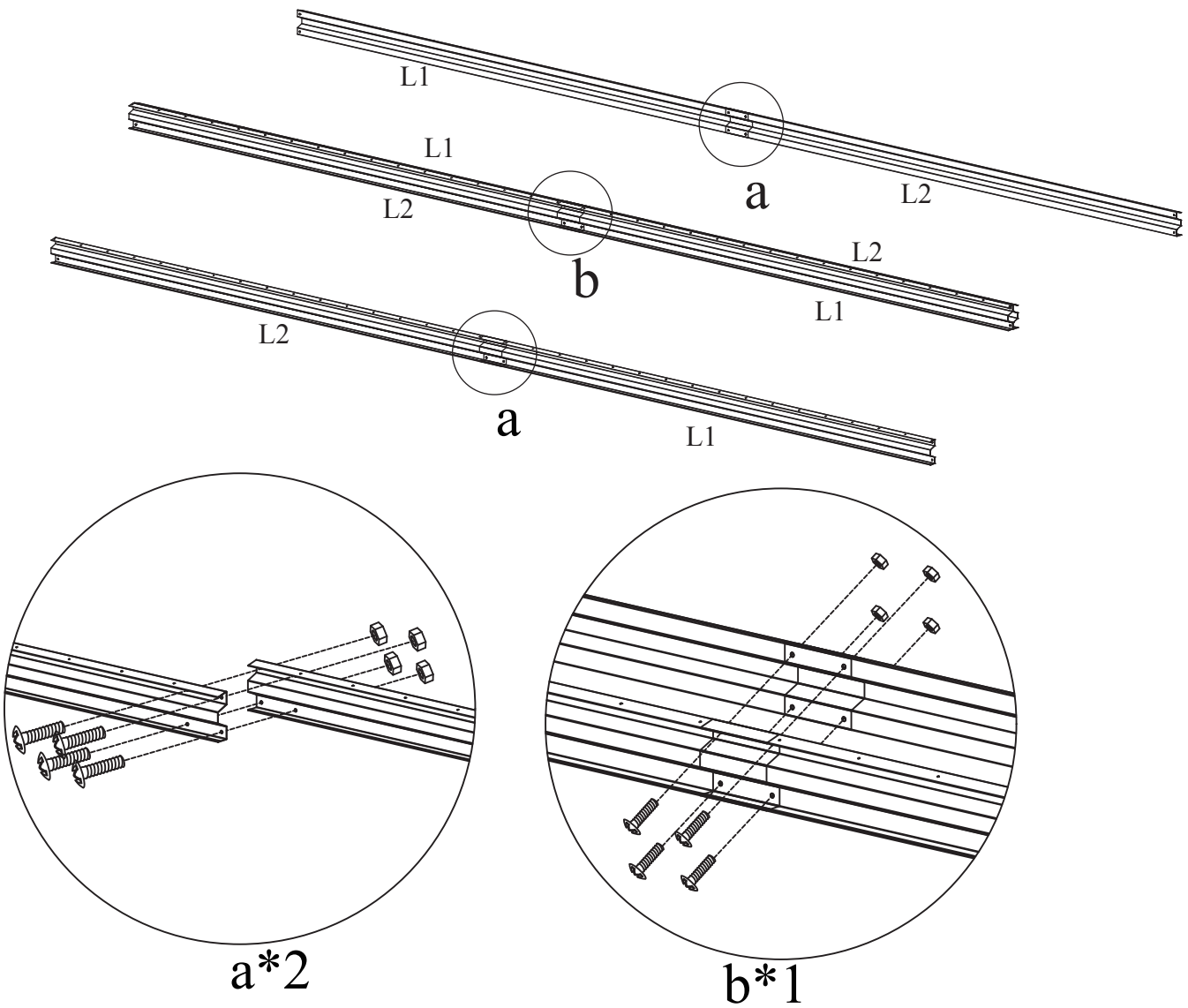




# Step.13

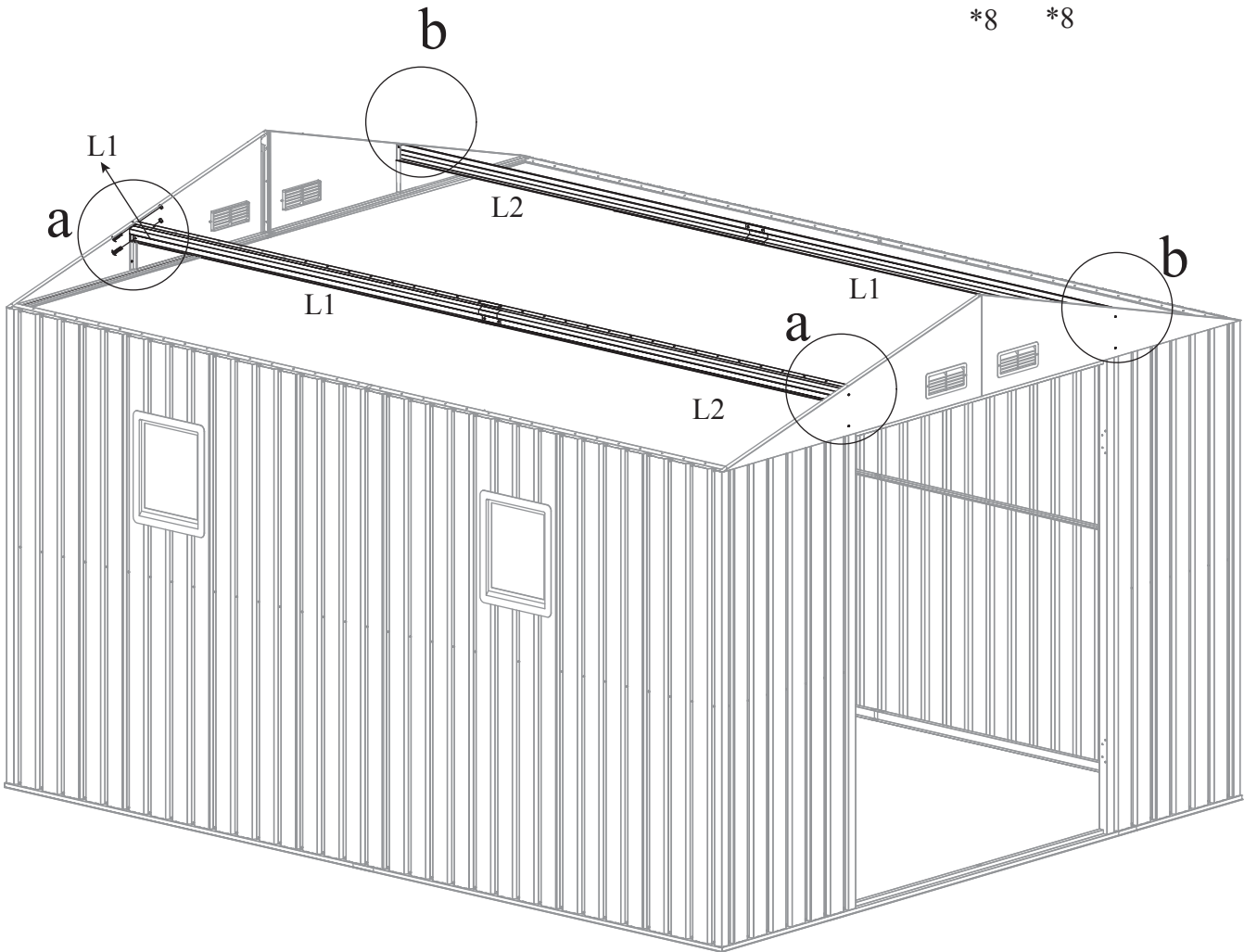
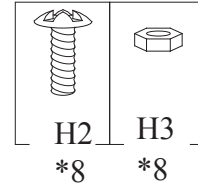
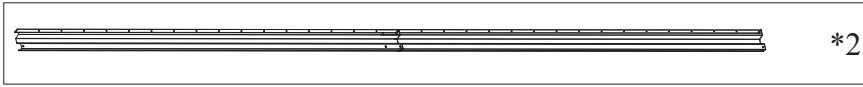
	L1*2
	L2*2

	
H2	H3
*12	*12

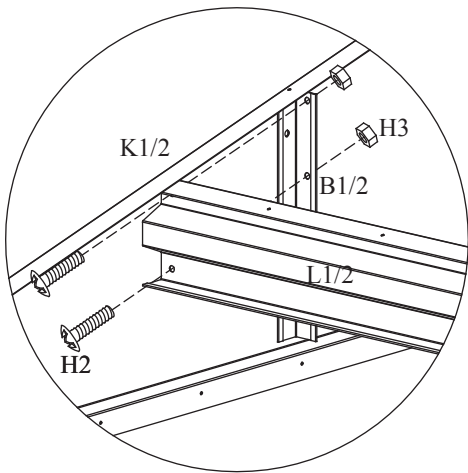


**Note:** DO NOT tighten the bolts at this step.

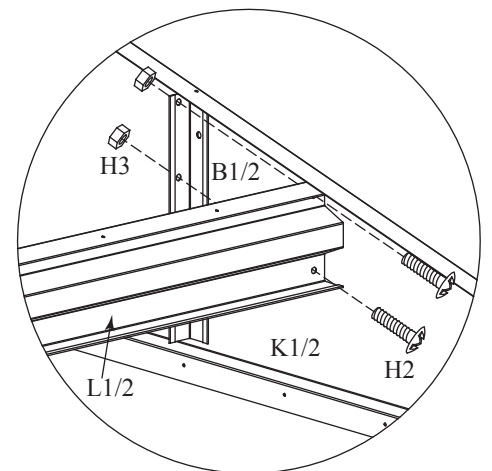
# Step.14



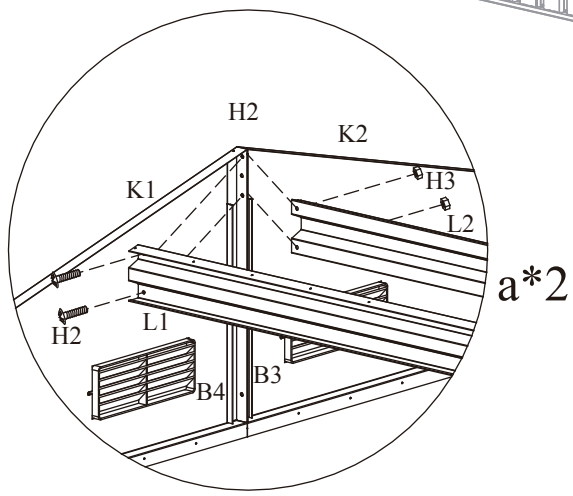
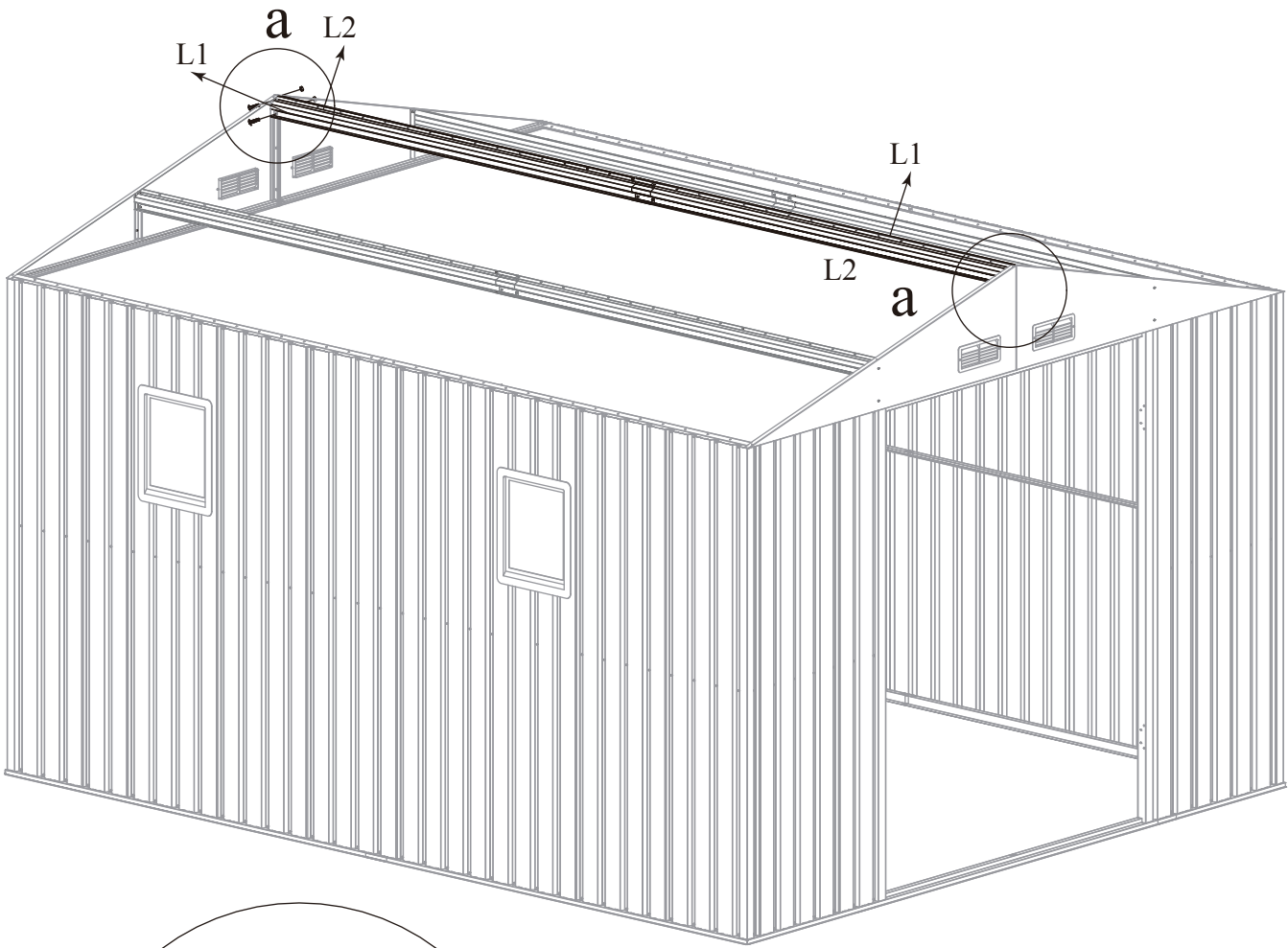
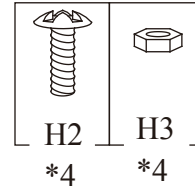
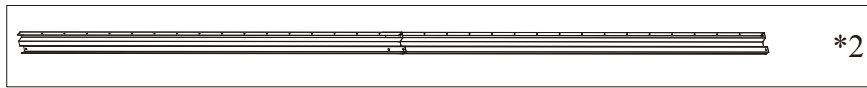
$a*2$



$b*2$



# Step.15

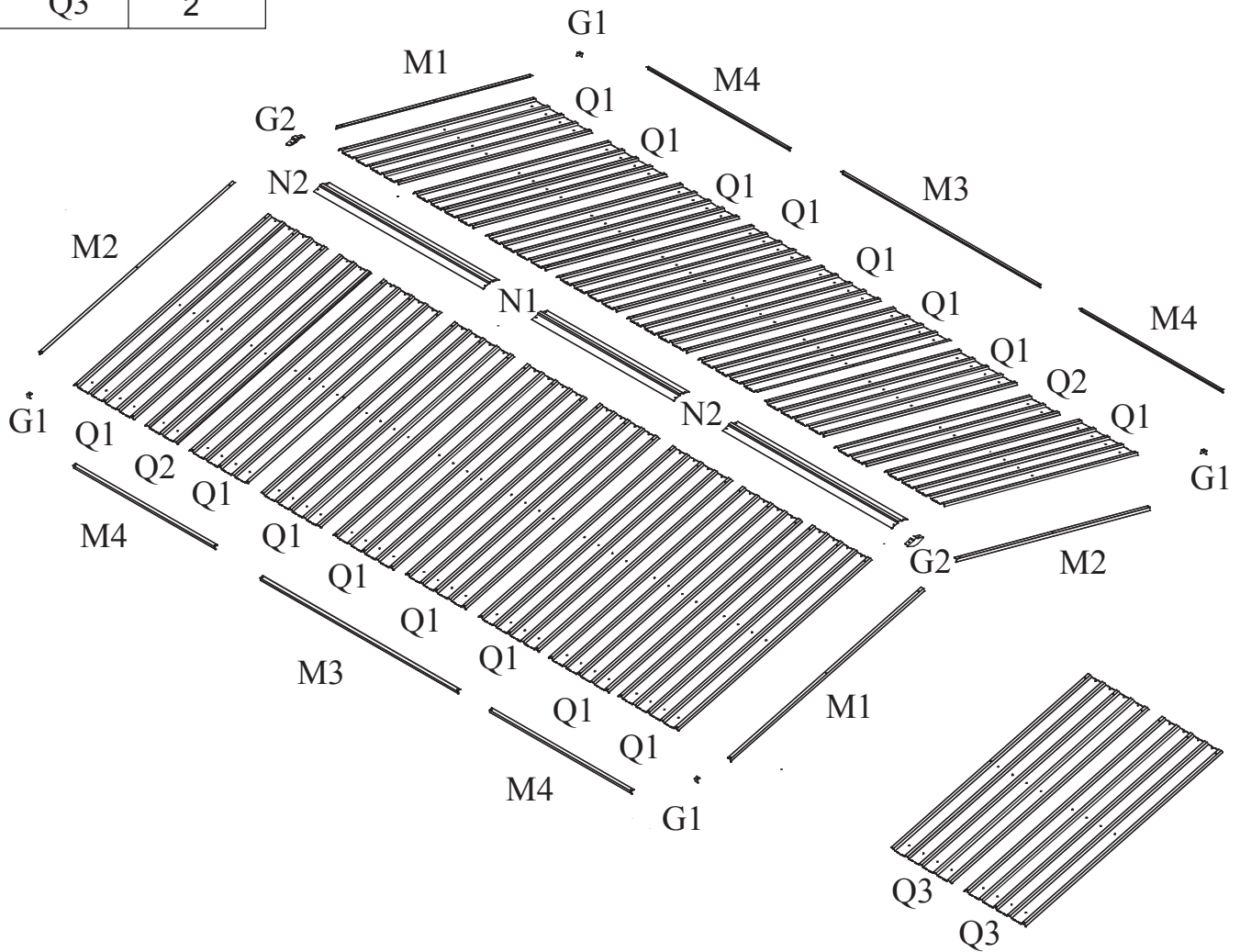


**Note:** Tighten the bolts from step 13 to step 15.

## Top panels Exploded View

Before installation, please place the parts in the position as shown in the figure below.



Shed top panels	
No.	Qty.
G1	4
G2	2
M1	2
M2	2
M3	2
M4	4
Q1	16
Q2	2
N1	1
N2	2
Q3	2

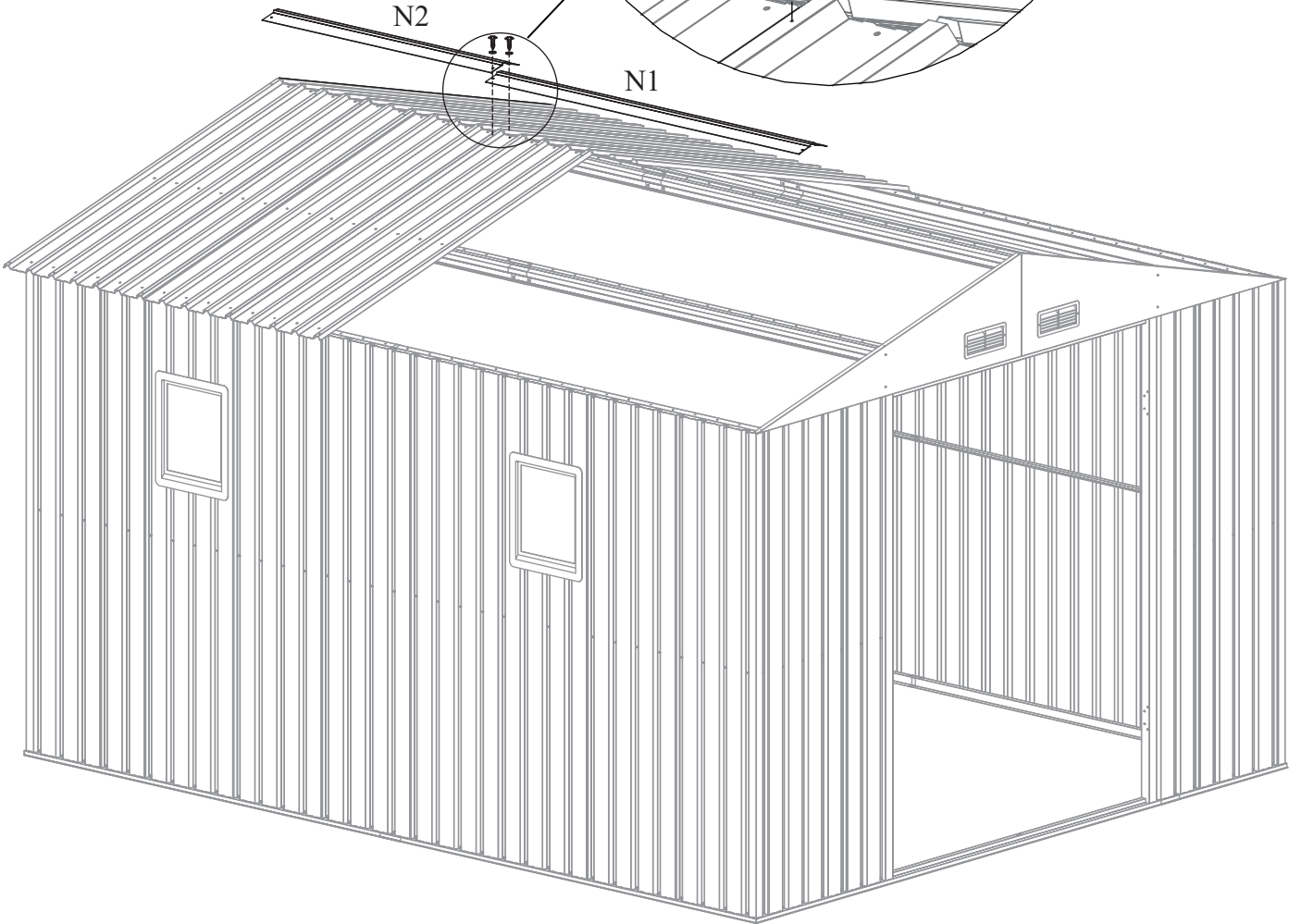
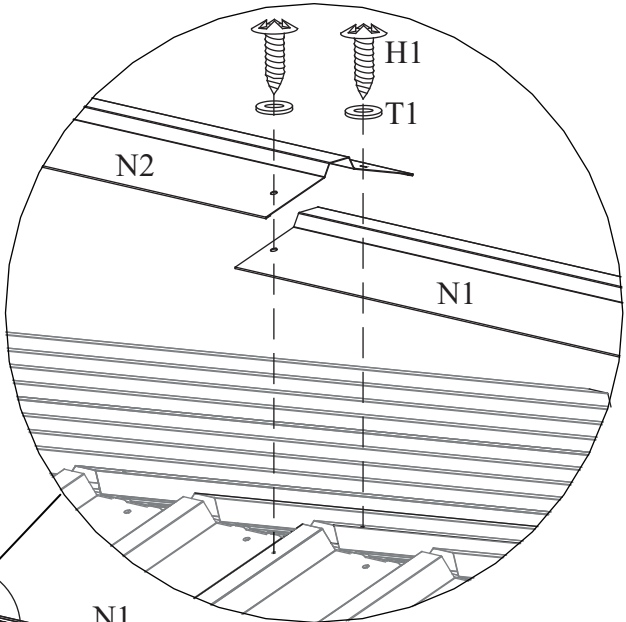
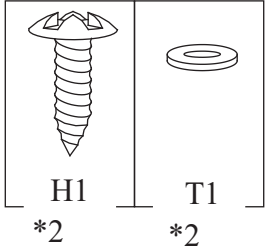


**Note:** The black side should be facing out. Add two additional transparent top panels Q3, location can be DIY, size for Q3 is same as Q1.

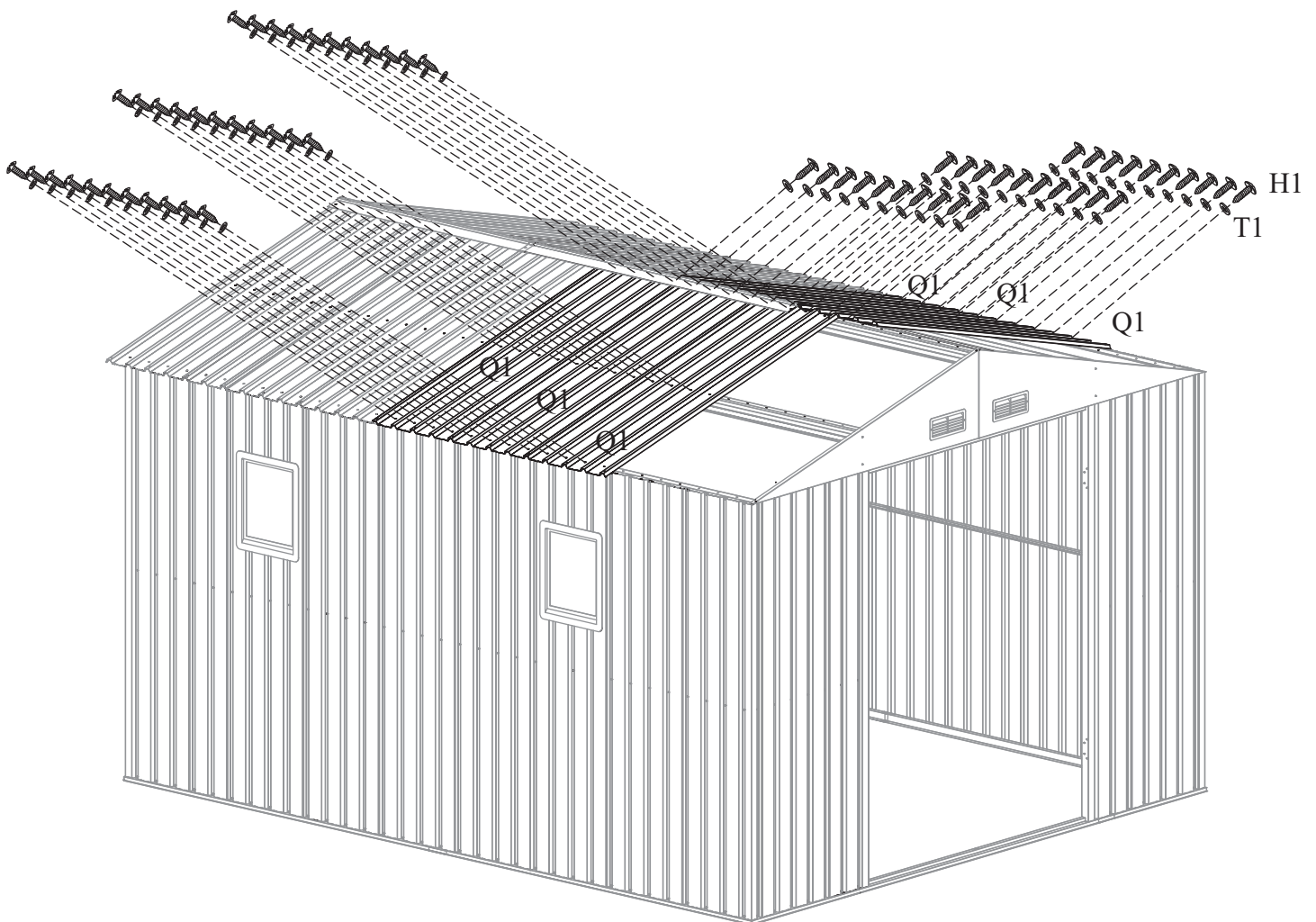
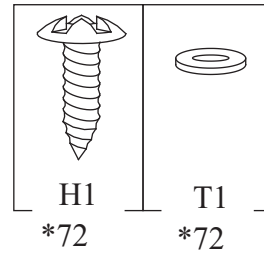


# Step.17

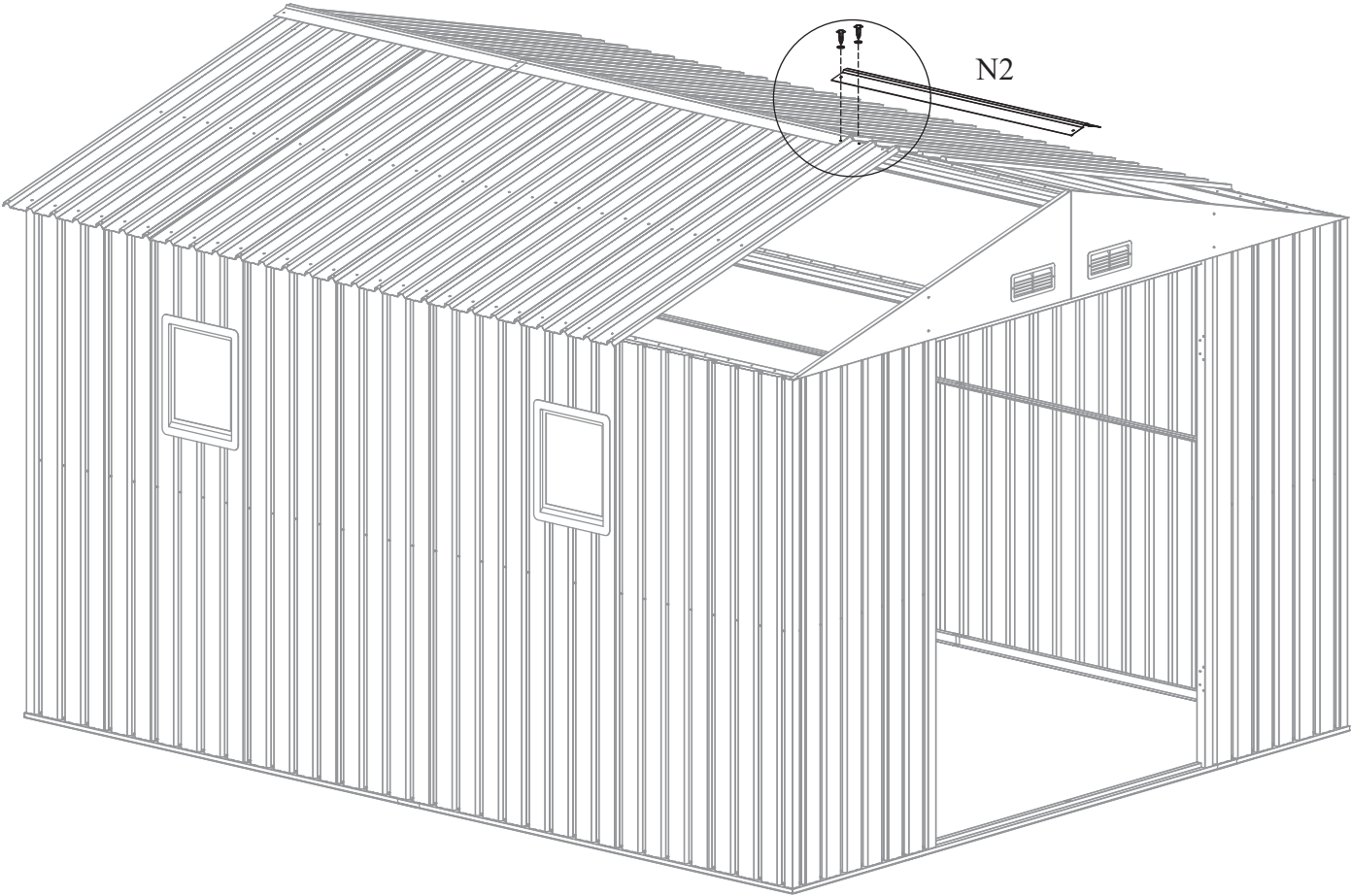
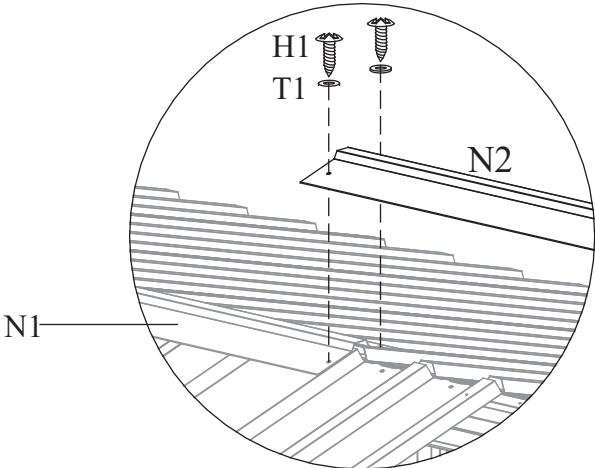
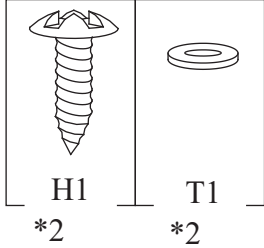
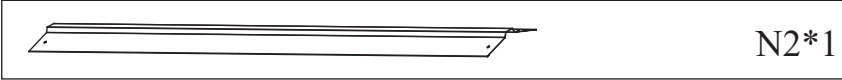
	N2*1
	N1*1



# Step.18

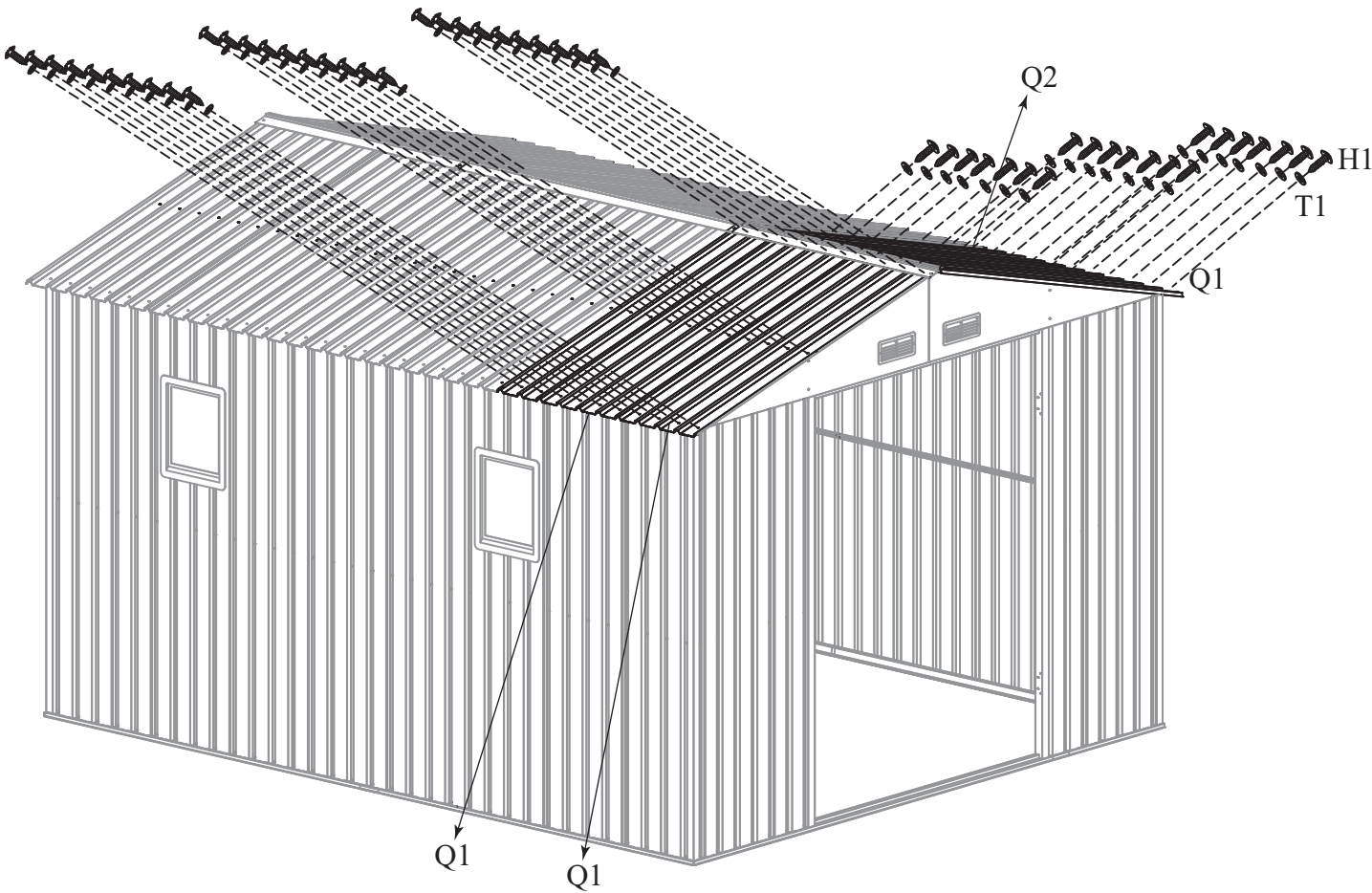
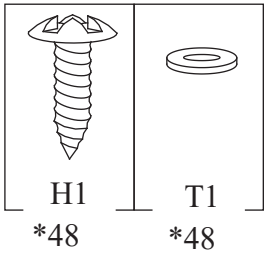
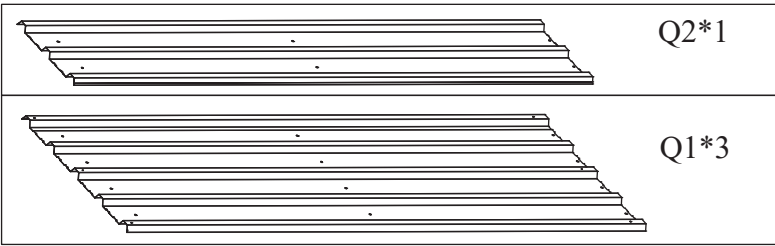


# Step.19









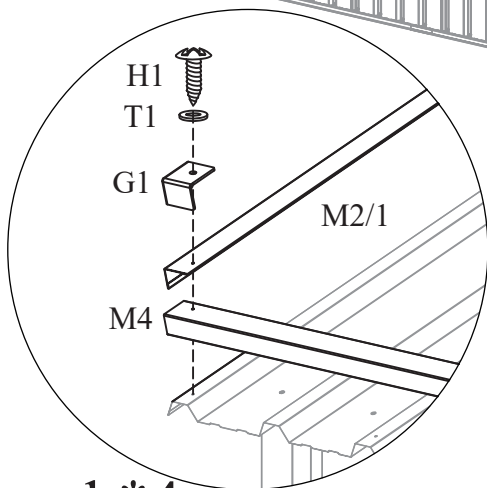
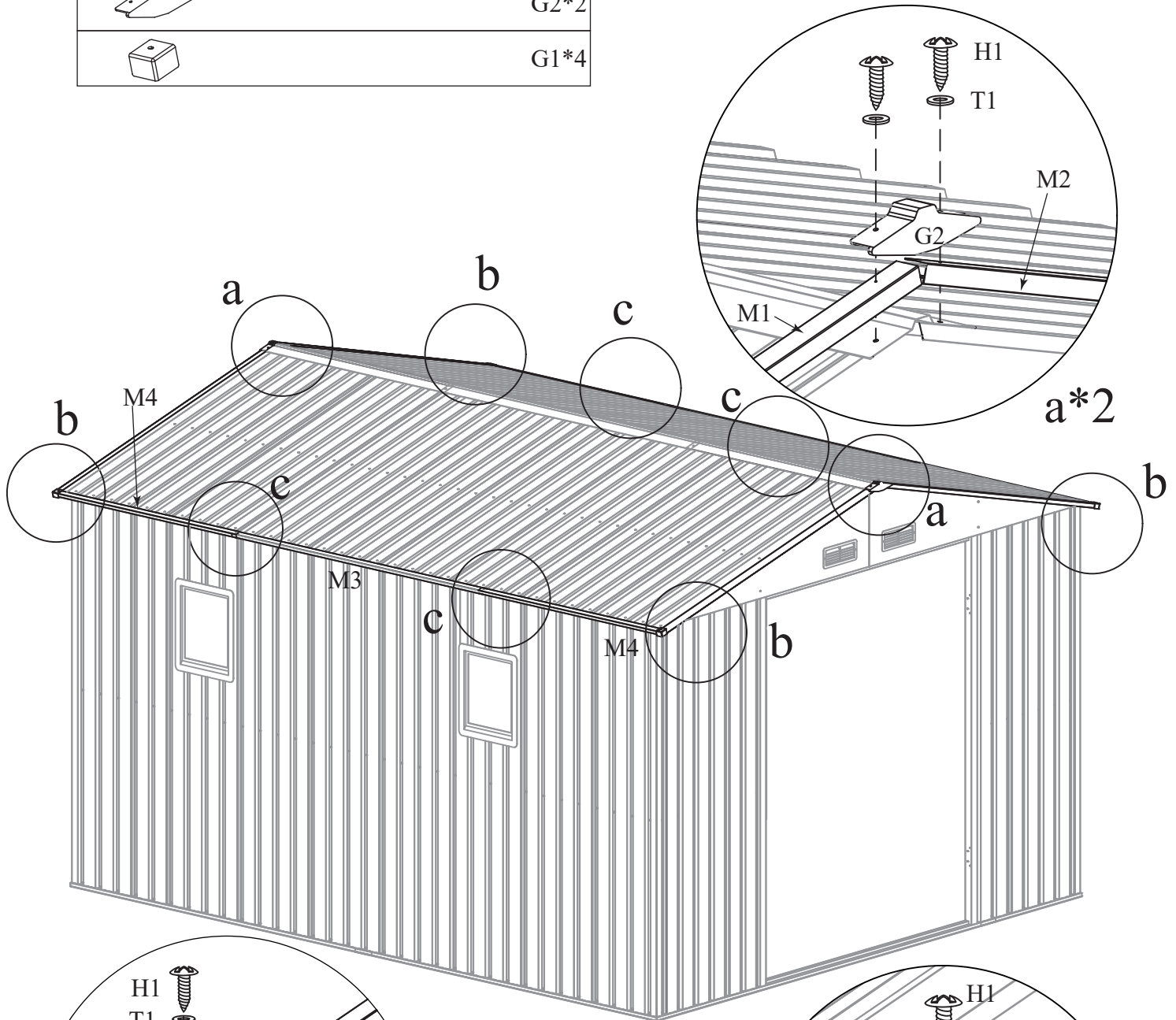
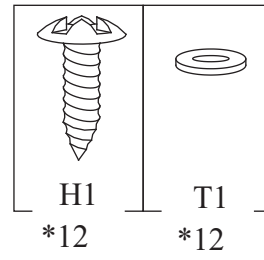


# Step.20

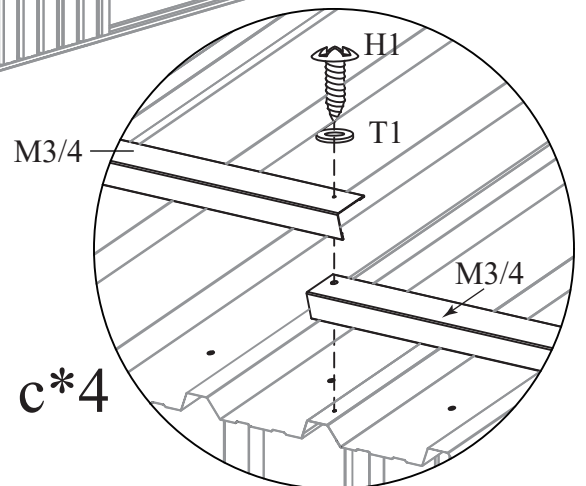


# Step.21

	M1*2
	M2*2
	M4*4
	M3*2
	G2*2
	G1*4



b\*4

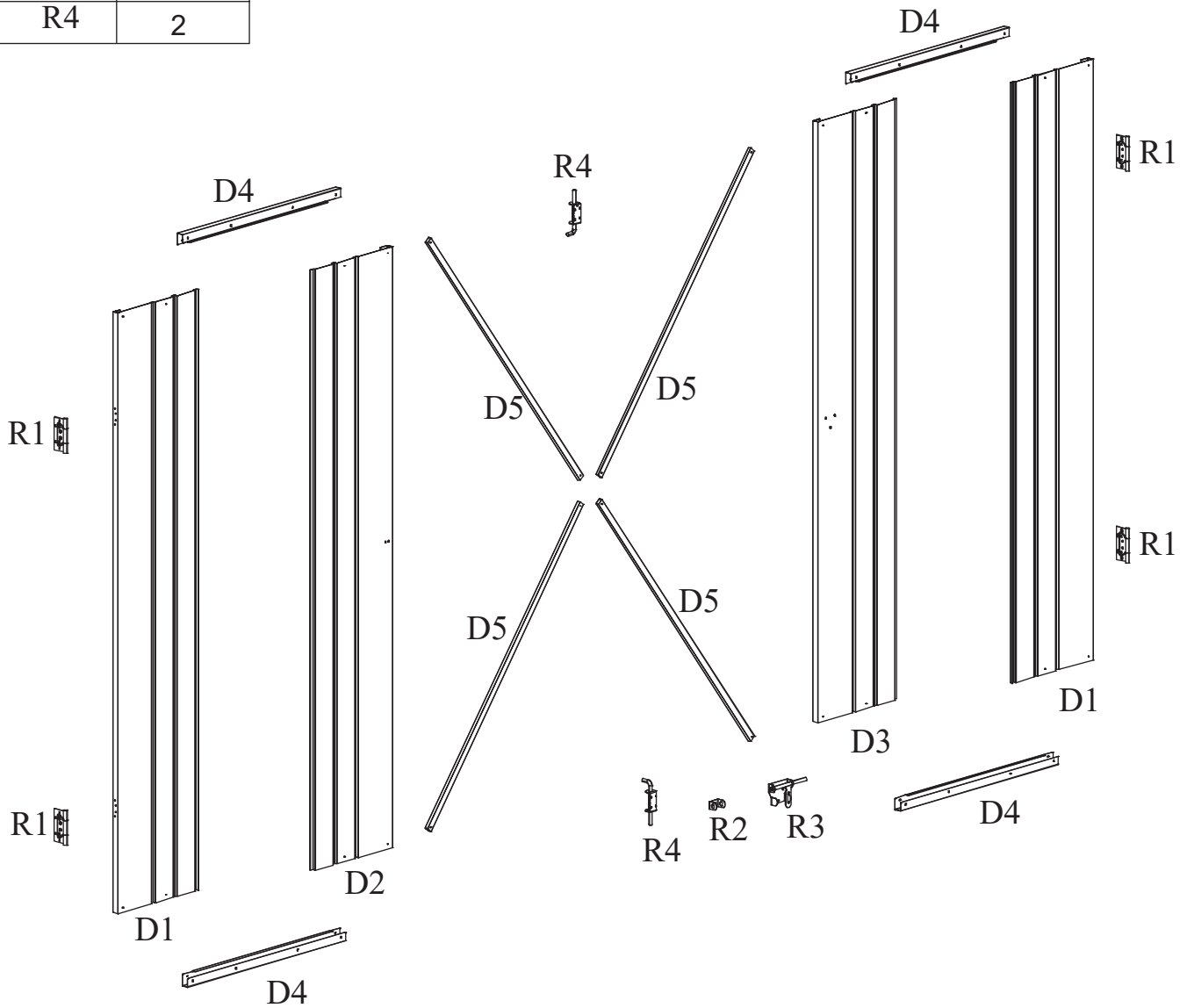


c\*4

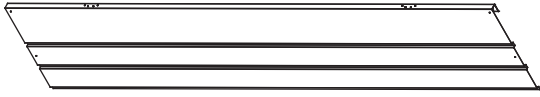
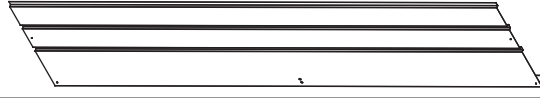
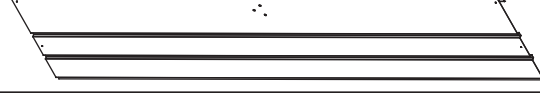
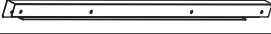
## The Door Exploded View

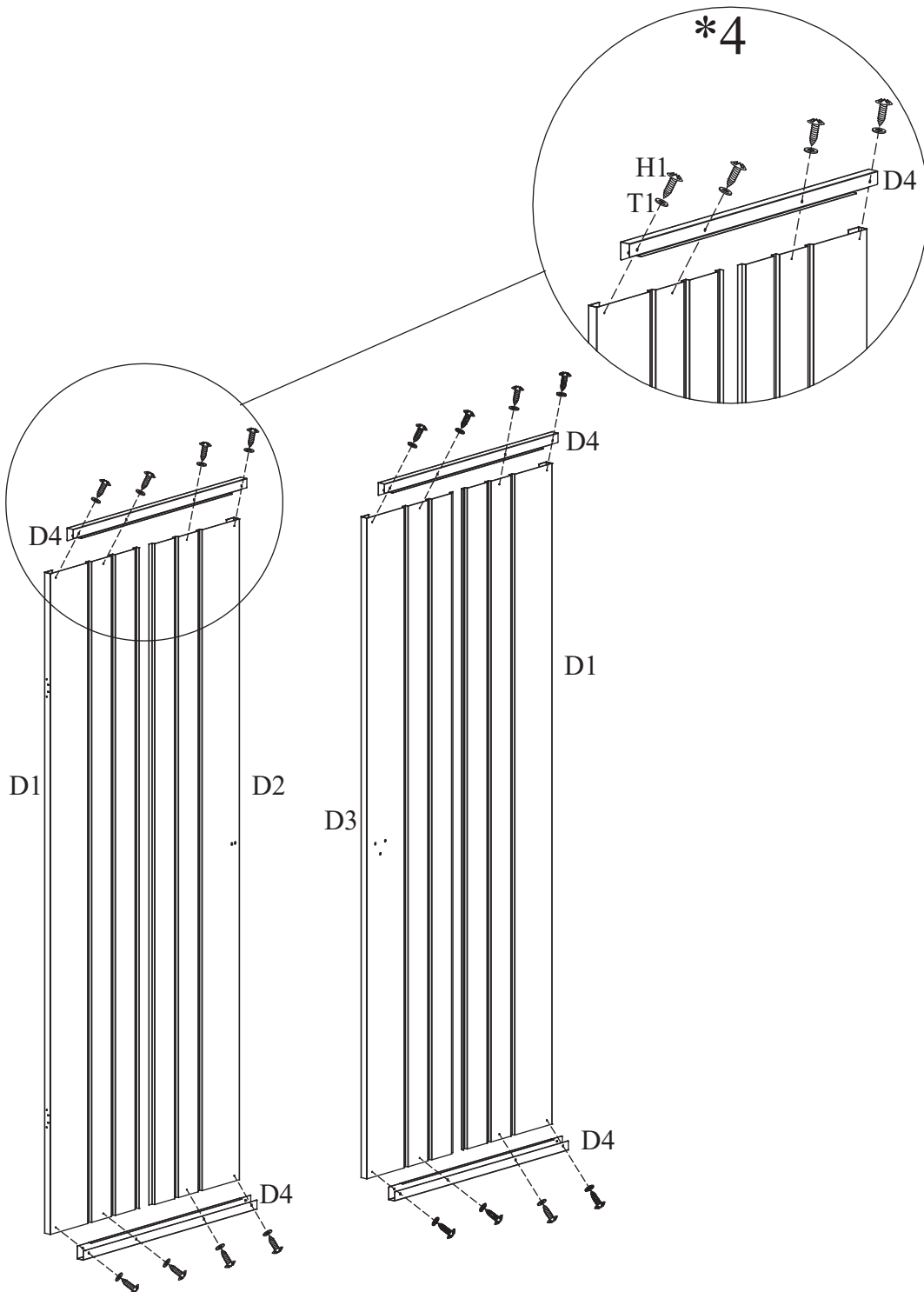
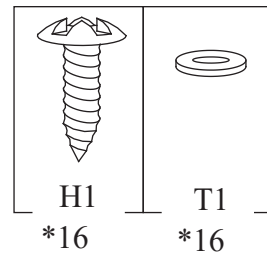
Before installation, please place the parts in the position as shown in the figure below.

Door	
No.	Qty.
D1	2
D2	1
D3	1
D4	4
D5	4
R1	4
R2	1
R3	1
R4	2

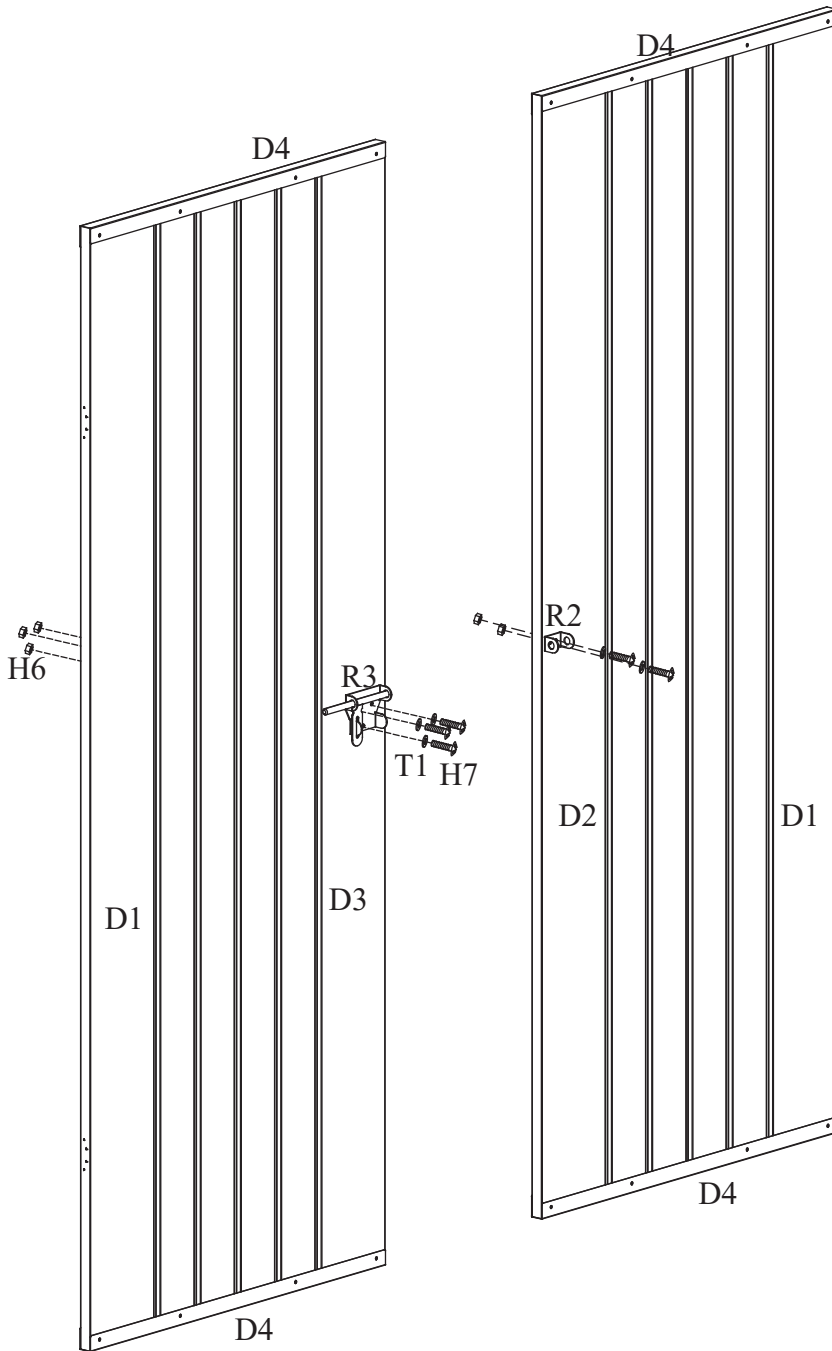
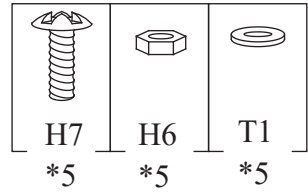
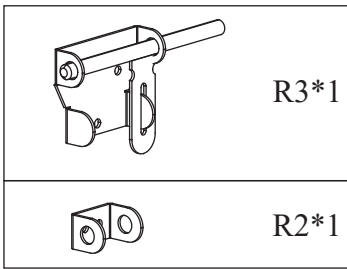


# Step.22



	D1*2
	D2*1
	D3*1
	D4*4

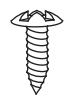



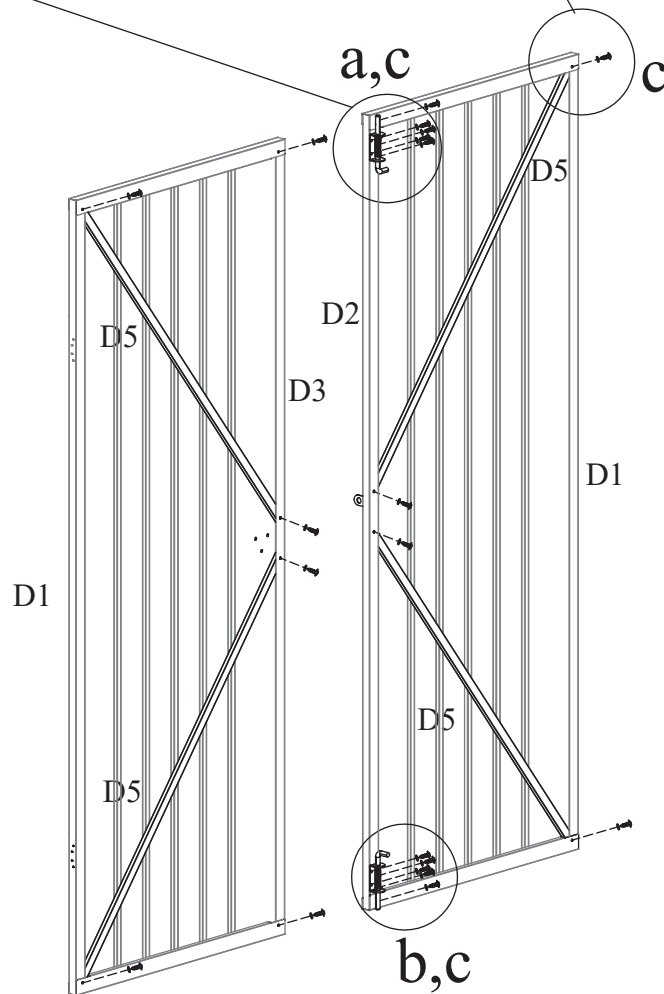
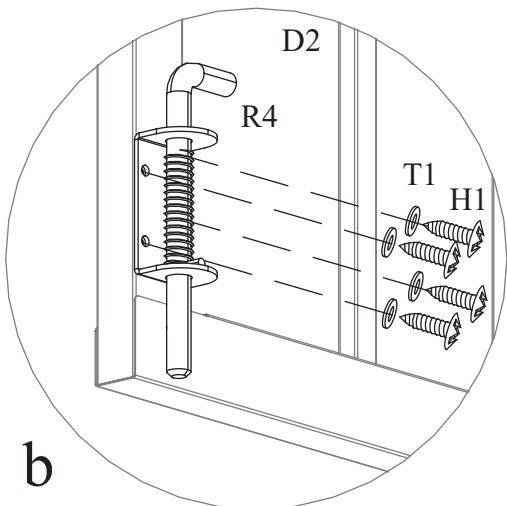
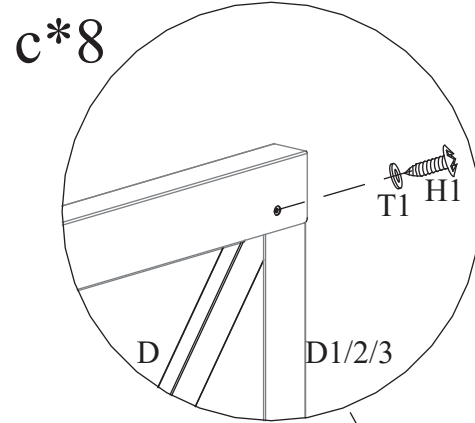
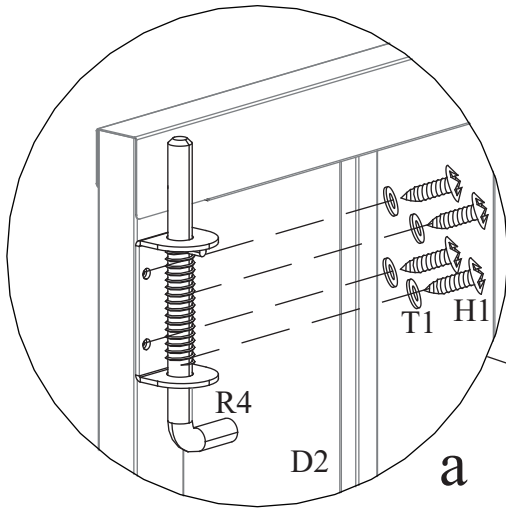
# Step.23



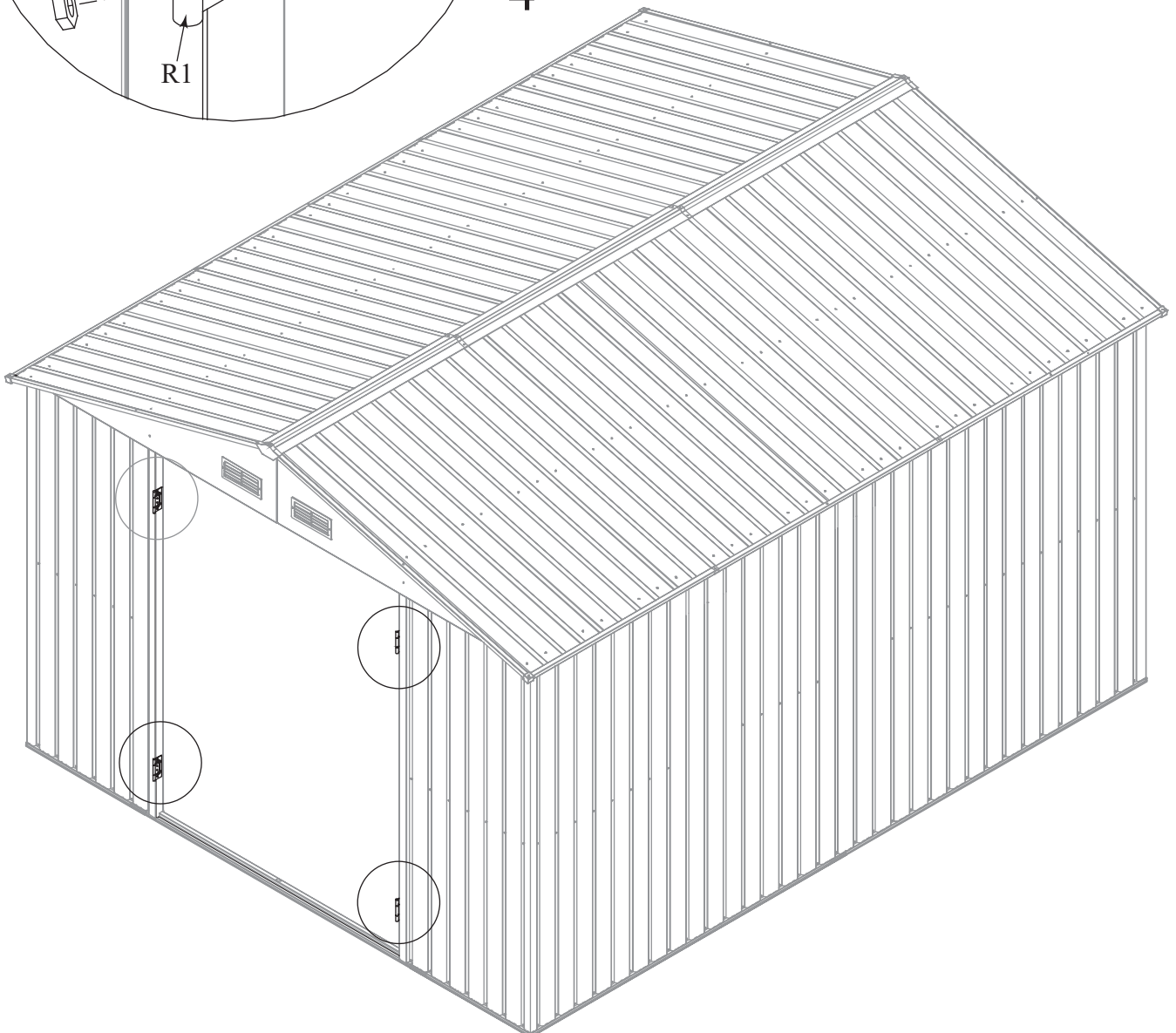
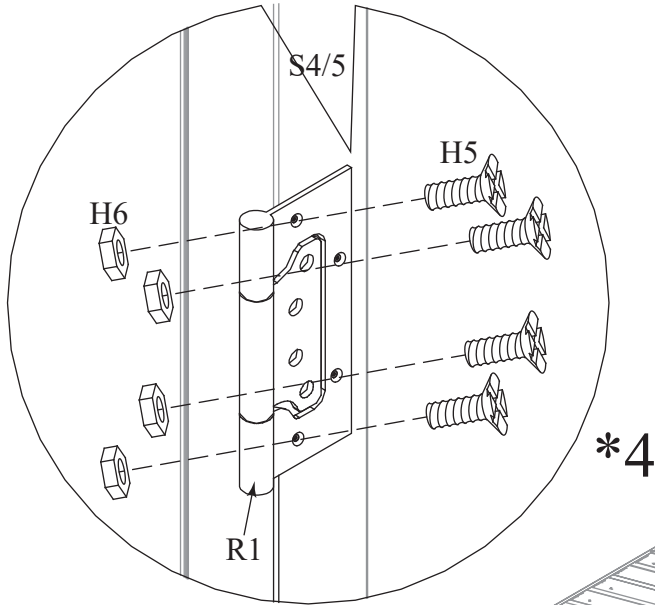
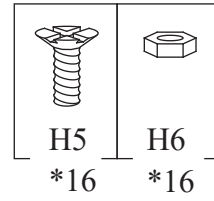
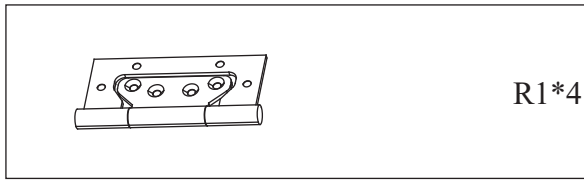
# Step.24

	D5*4
	R4*2

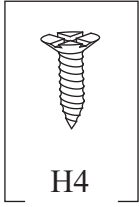
	
H1	T1
*16	*16



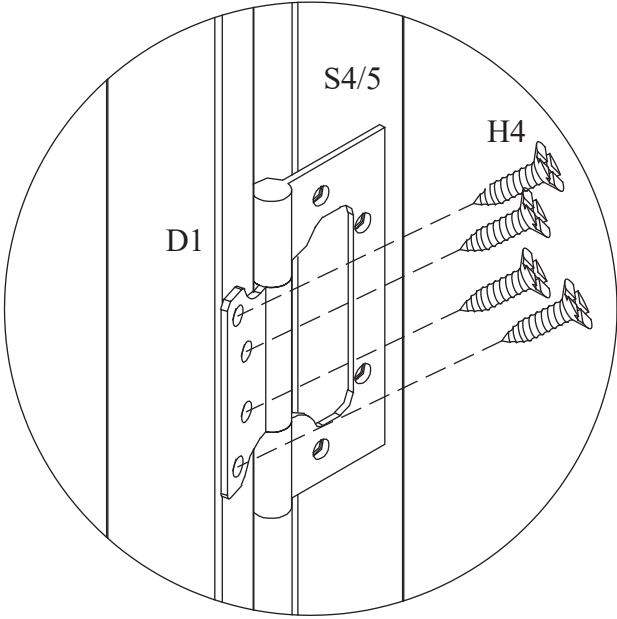
# Step.25



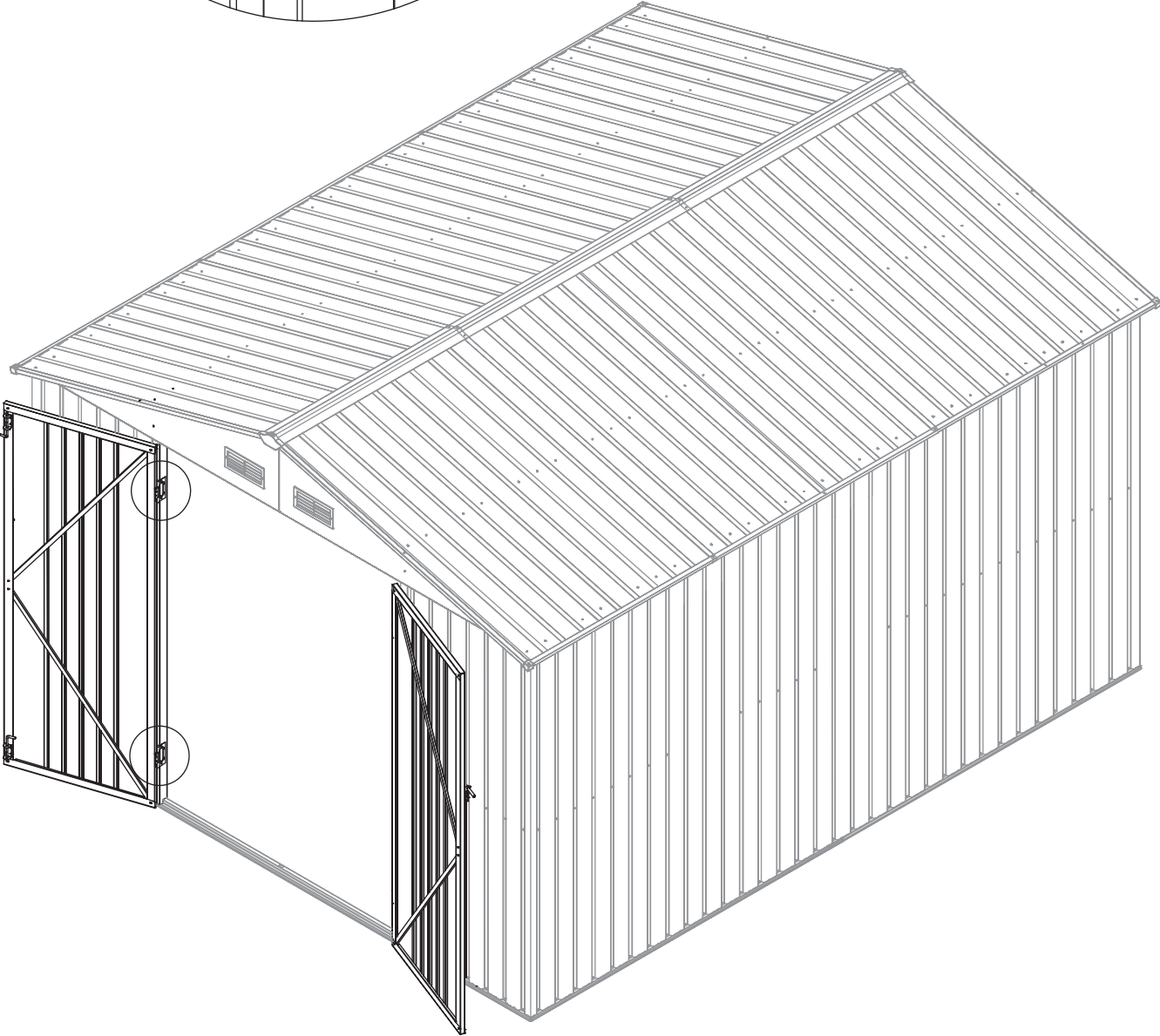
# Step.26



H4  
\*16

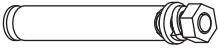



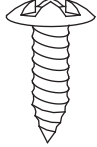

\*4





# Step.27

	J3*4
	J2*9

	
H1 *16	T1 *16

