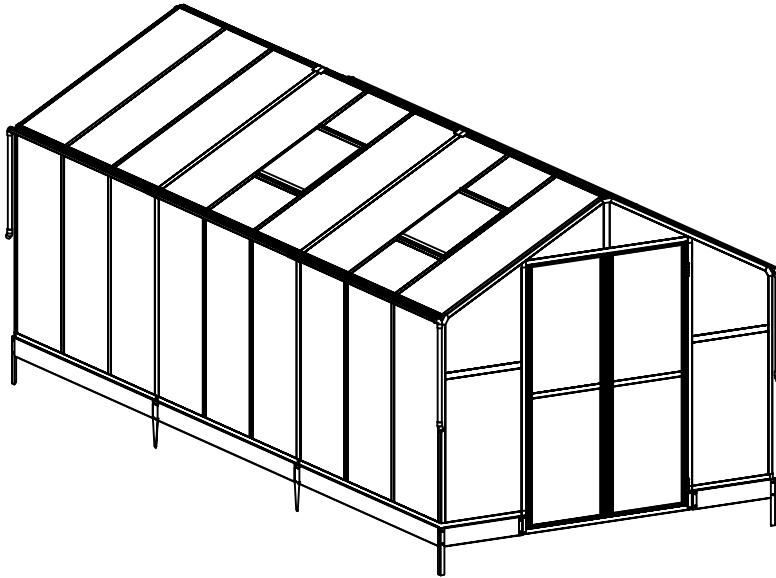


Assembly Instructions

MODEL:AMB849

PRODUCT SIZE(LxWxH): 8X18

PLEASE READ CAREFULLY BEFORE ASSEMBLY



Greenhouse 8x18 FT Assembly Instruction

SKU:

1007040100B(BOX 1)

1007040101B(BOX 2)

Arrive in 2 separate boxes and may not be part of the same shipment; Please install the product after receiving all the packages.

Email Address:cs@howedirect.com

Tel: 901-347-2181

Service Time: 8 am - 5 pm (central time) Monday- Friday.

If no one picks up, please call several more times

2024/4/22

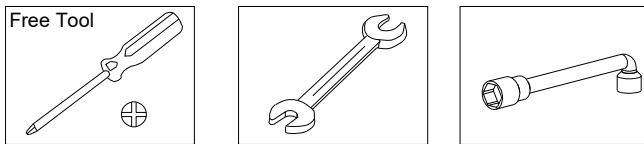
CONTENTS

1. Assembly Advice	Page 1
2. Product Features	Page 2
3. Parts List	Page 3 -6
4. Door Assembly	Page 6 - 10
5. Roof Vent Assembly	Page 11 - 13
7. Base Assembly	Page 14-16
8. Framework & Glazing Assembly	Page 17 - 37

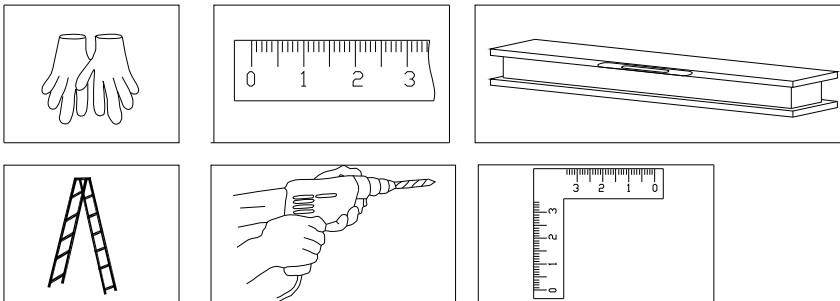
Assembly and Maintenance Advice

1. For safety purposes, we strongly recommend that this product is assembled by at least two people.
2. Some components have sharp metal edges. Please be careful when handling metal components. Please wear gloves, shoes and safety goggles during assembly.
3. Lay all of the components on a soft carpet or blanket to avoid any scratches or damages.
4. DO NOT climb or stand on the roof. Heavy articles should not be leaned against the greenhouse.
5. Keep the roof and gutter clear of snow, dirt & leaves. Allowing snow to build up on the roof may damage the product.
6. Unlike steel, if the paint finish is scratched this will not harm the aluminium underneath.
7. When your product needs cleaning, use a mild detergent solution and rinse with cold clean water. Do not use acetone, abrasive cleaners or strong detergents to clean the panels.

Tools Provided:



Tools Required when Assembly (Not Provided)



Assembly at least by two Persons

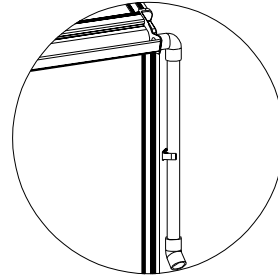


Important:

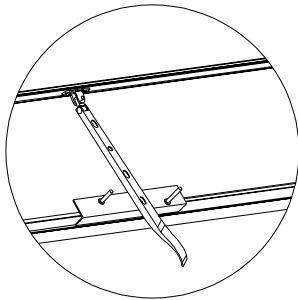
Rubber is not provided if you choose polycarbonate sheet as glazing panel.

Functions and Features:

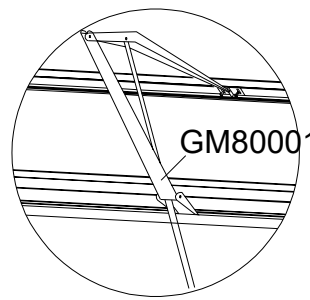
1. The strong two part eaves beam includes an integral gutter. Downpipes are also included as standard so you can collect rainwater.



2. Manual window handles are included as standard with the roof vents. If required, automatic roof vent openers are available as an inexpensive optional extra.



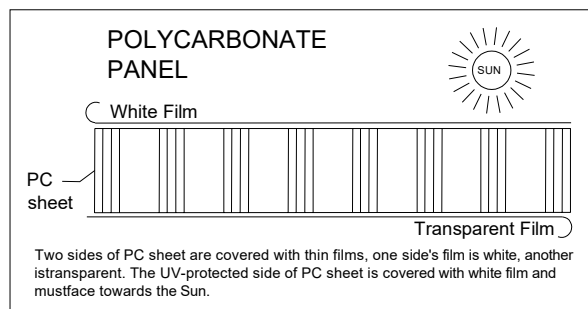
Manual Opener



Automatic Opener

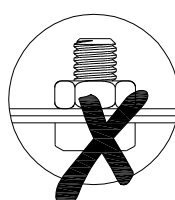
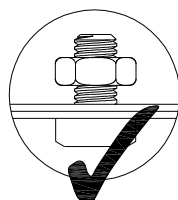
GM80001 is sold separately



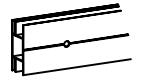
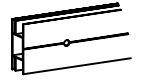
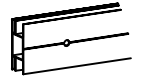
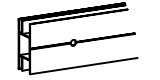
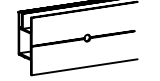
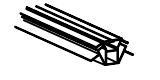

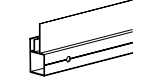


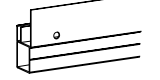
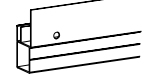
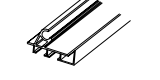

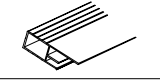
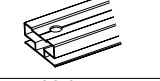

3. Remove approximately 2 inches of film from all sheet edges before installing and remove all film immediately after the construction is completed. Please ensure that the side with the white film faces outwards.

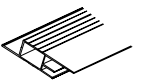
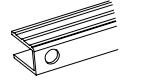
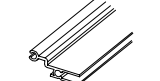







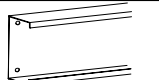
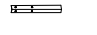
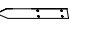
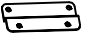
4. This quality greenhouse features self-tapping screws to provide strong joints. As the name suggests, the screws tap their own thread. Driving in self-tapping screws requires more force than conventional screws. A powered screwdriver is therefore recommended.

5. Nuts not to be tightened before the end of assembly! Unless otherwise stated, do not tighten the bolts/nuts/screws until the shed is finally erected!




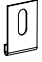



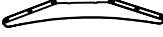
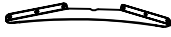




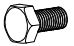
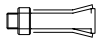











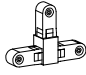






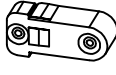





	PART	NO	QTY
1	 1288mm	L02A	8
	 547mm	L02E	4
3	 1564mm	L04A	2
	 547mm	L04B	3
5	 547mm	L04B	3
6	 C:1160 E:1564	L04C	1
	 301mm	L04D	2
8	 A&B:1684 C:1160	L05A	1
	 1739mm	L05B	1
	 1739mm	L05C	1
9	 1739mm	L06C	3
	 1739mm	L07C	6
11	 1739mm	L08C	6
	 1749mm	L09C	2
12	 1759mm	L09D	2
	 1759mm	L09E	2
14	 A:1222 B:1160	L10A	1
	 C:570 D:558	L10B	1
15	 570mm	L10C	2
	 570mm	L10D	2
16	 570mm	L12A	4
	 557mm	L15A	4
17	 1680mm	L16A	2
	 494mm	L17	2

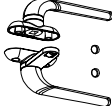


	PART	NO	QTY
15	 1680mm	L18A	1
	 500mm	L18B	1
16	 570mm	L19	8
	 570mm	L20	4
17	 1738mm	L21	4
	 1067mm	L23C	12
18	 650mm	L24A	4
	 650mm	L25	4

PART	NO	QTY
	A1	2
	C1	4
	C2	2
	D1	2
A1:588 C1:1778 C2:1759 D1:1199		
	D306	4
	D307	5
	D361	2

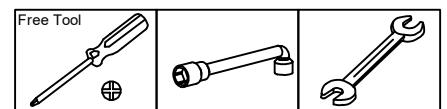


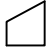

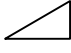
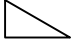






PART	NO	QTY
	A01	4
	A03	4
	A108	4
	D05	24
	D25	4
	D26	2
	D114	20
	D362	2
	D363	4
	D364	16
	H40	24
	<u>S01</u> M6X12	237+5
	<u>S26</u> M6X12	4
	<u>S28</u> M4X10	8
	<u>S69</u> M6X60	20
	<u>M01</u> M6	237+5
	<u>M02</u> M4	8
	<u>M07</u> M6	8
	<u>Z08</u> M4.2X16	8
	<u>Z15</u> Ø4X12D	150+5
	<u>Z17</u> M4.8X16	8

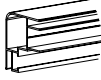
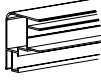

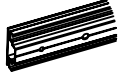
PART	NO	QTY
	J93	4
	J94	4
	J166	4
	J201	6
	J202L	2
	J202R	2
	J203	4
	J204R	2
	J204L	2
	J205	2
	J206	20
	J207	4
	J208	2
	J209R	2
	J209L	2
	J210	2

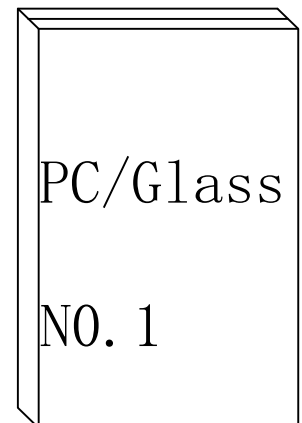
PART	NO	QTY
	H152	1
	D47-2	1
	<u>S81</u> M4X25	2

Tools Provided:



PART	NO	QTY
 656X568mm	Y1	2
 656X568mm	Y2	2
 324X577mm	Y3	2
 324X577mm	Y4	2
 939X568mm	Y5	6
 1308X568mm	Y6	32
 387X568mm	Y7	8
 623X568mm	Y8	2
 474X568mm	Y10	4
 832X514mm	Y11	4

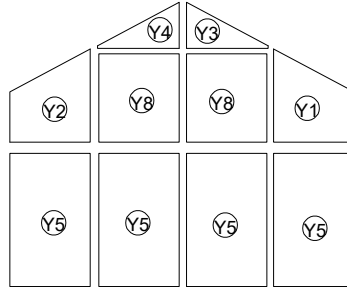
	PART	NO	QTY
1	 1288mm	L01A	2
		L01D	2
		L01E	2
2	 1288mm	L01B	1
		L01C	1
4	 1288mm	L02A	8
5		L02A	8
6	 1288mm	L03A	4
		L03B	4



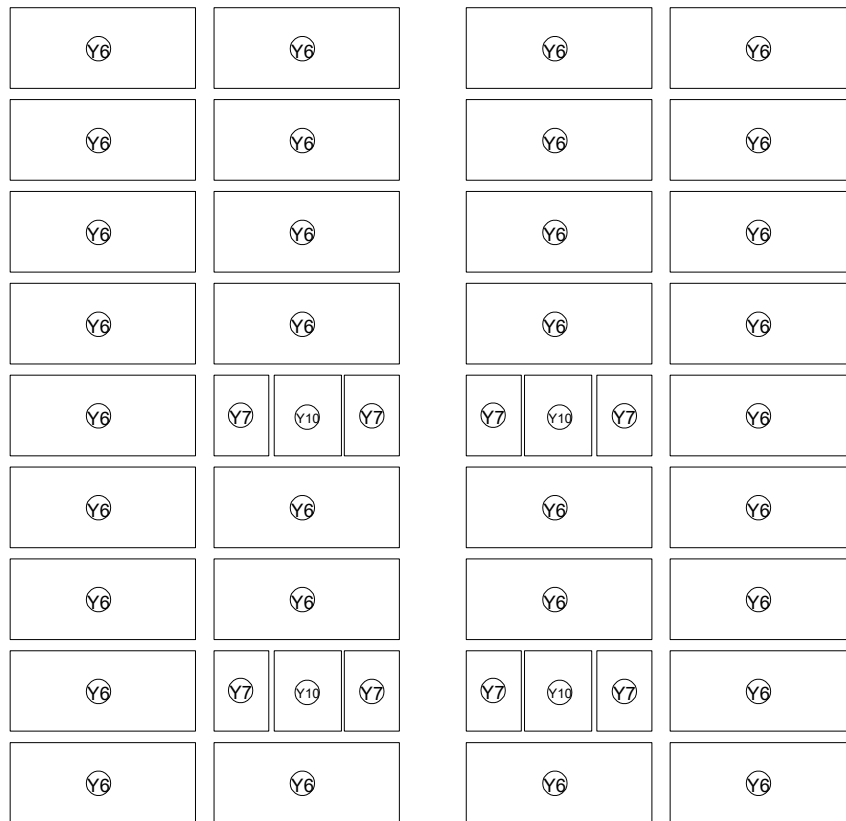
PART	NO	QTY
	Y1	2
	Y2	2
	Y3	2
	Y4	2
	Y5	6
	Y6	32
	Y7	8
	Y8	2
	Y10	4
	Y11	4

Panel Exploded View

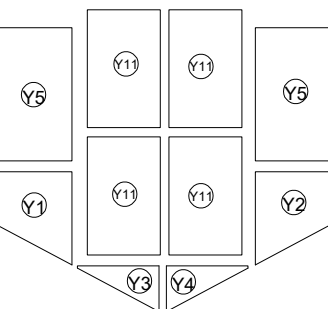
Back Wall




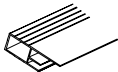
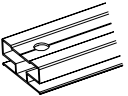
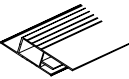


Side Wall



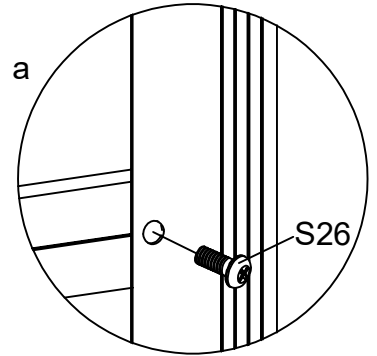
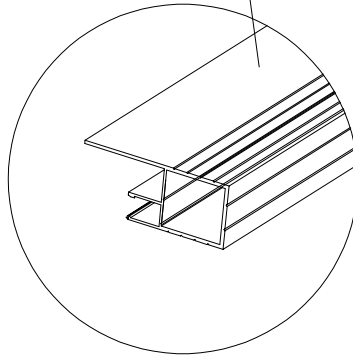
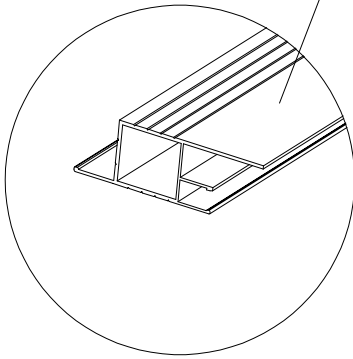
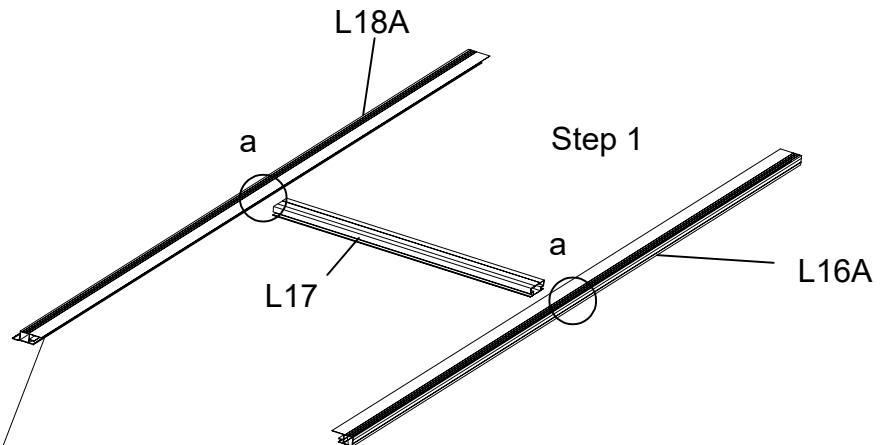
Side Wall



Front Wall

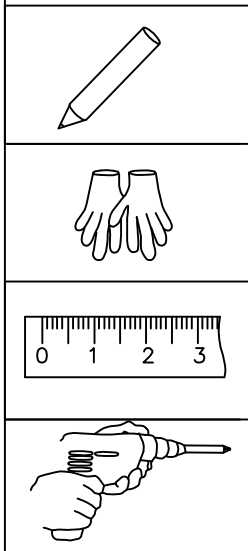
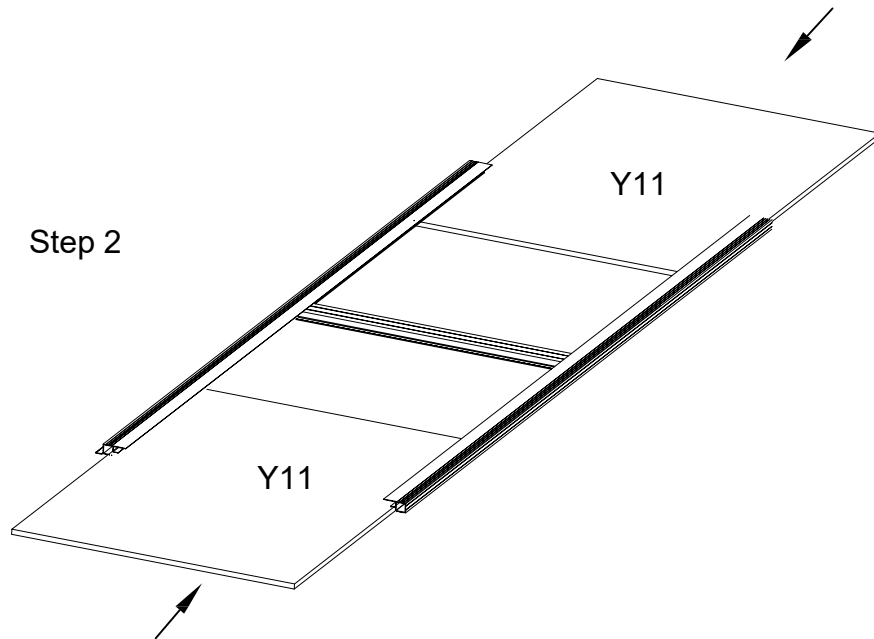
PART	NO	QTY
	L15A	2
	L16A	1
	L17	1
	L18A	1
	S26 M5X12	10
	Y11	2

Left Door

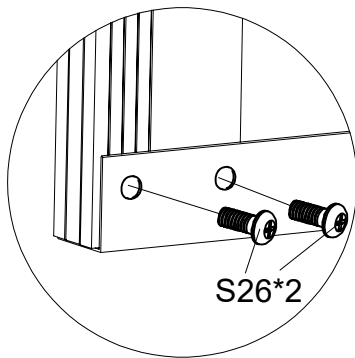
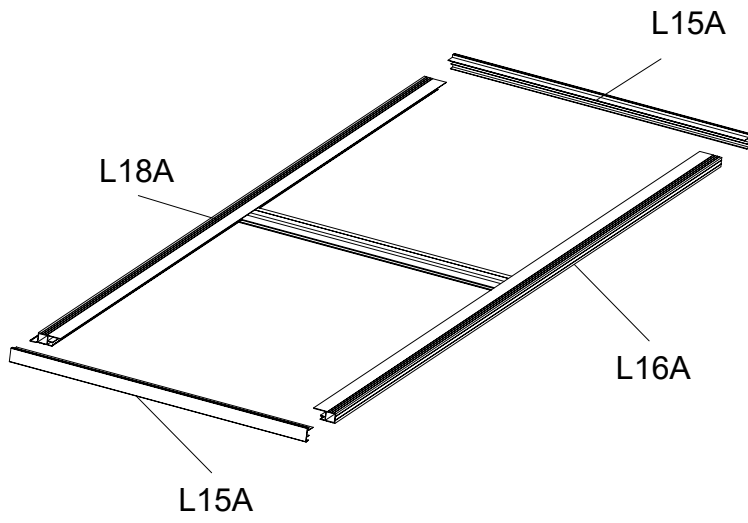


! Attention: Check the direction of the accessories

Step 2

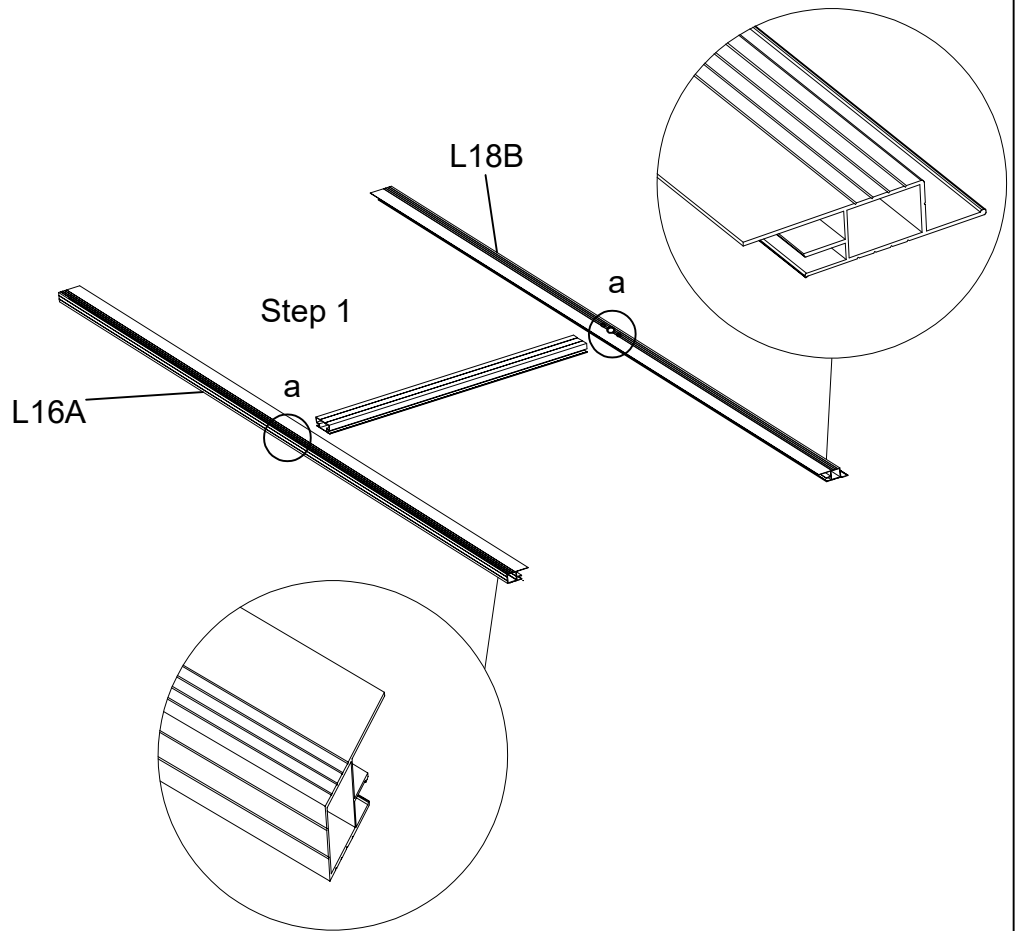


! Attention: Remove the protective films from both sides of each polycarbonate panel, before inserting into aluminum channels. Ensure the milky white film faces towards the Sun.

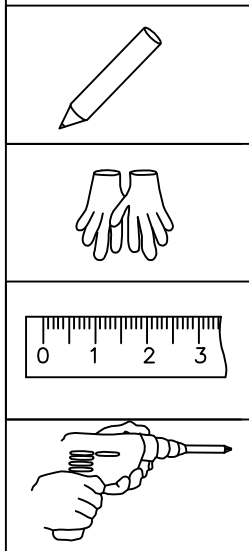
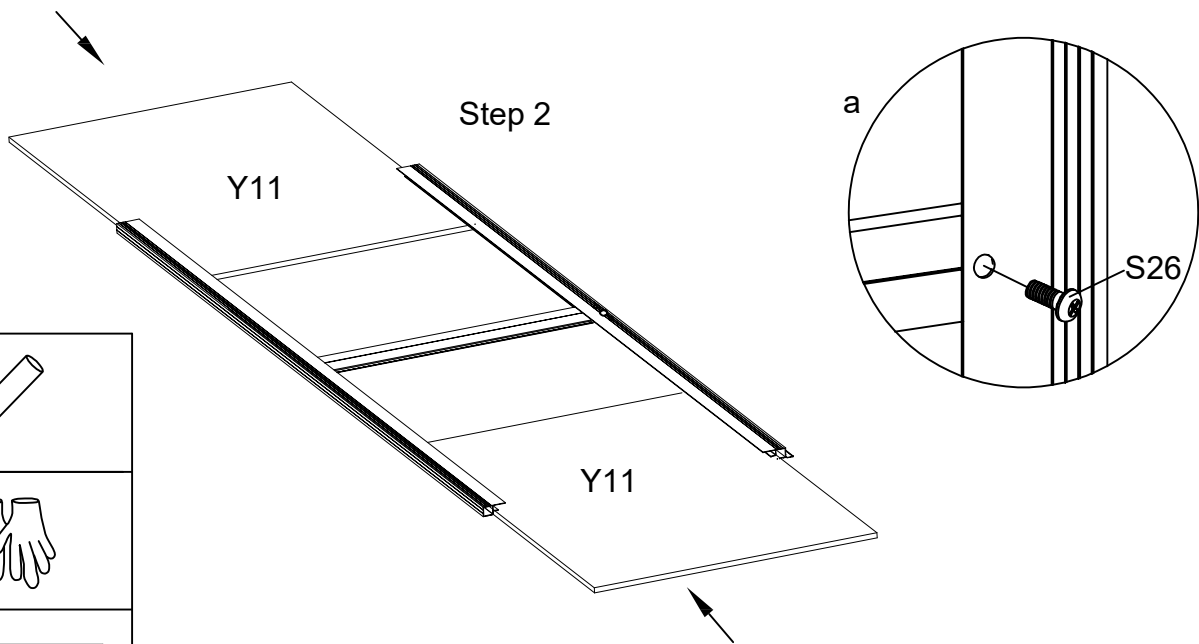


PART	NO	QTY
	L15A	2
	L16A	1
	L17	1
	L18B	1
	H152	1
	D47-2	1
	S26 M5X12	10
	S81 M4X25	2
	Y11	2

Right Door

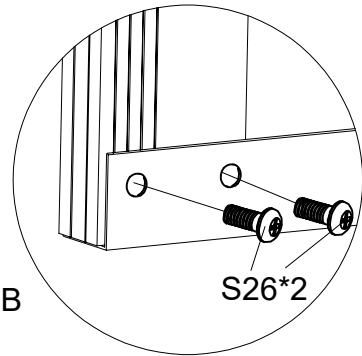
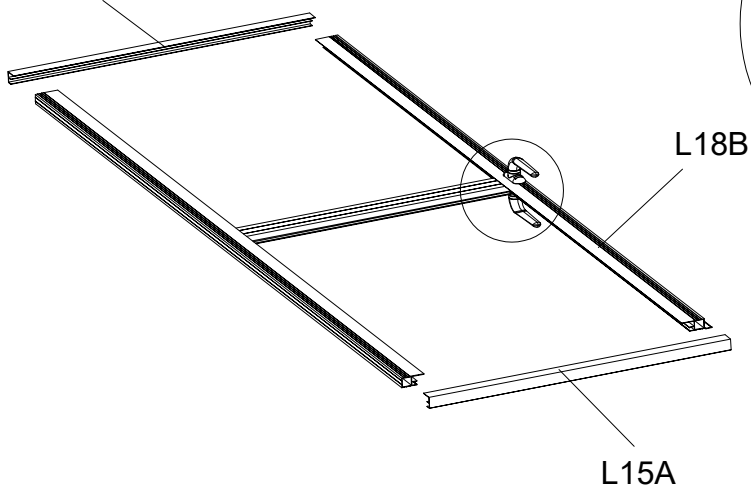


! Attention: Check the direction of the accessories



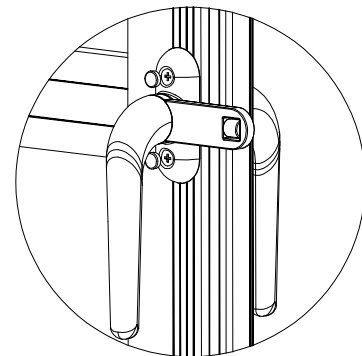
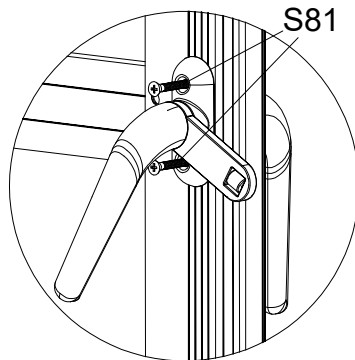
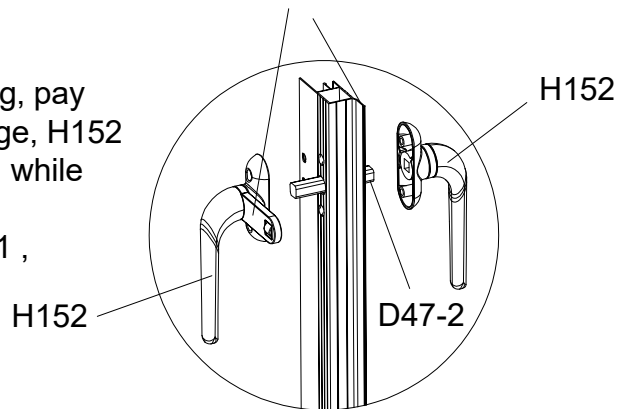
! Attention: Remove the protective films from both sides of each polycarbonate panel, before inserting into aluminum channels. Ensure the milky white film faces towards the Sun.

L15A

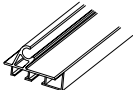
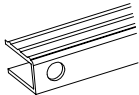
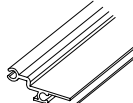
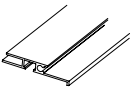







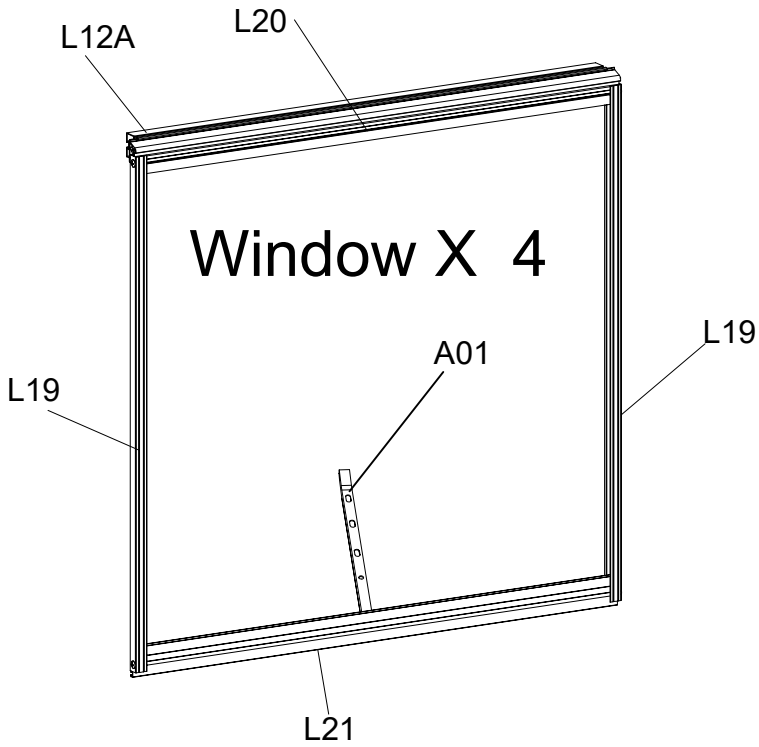
Pay attention to the installation direction

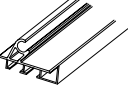
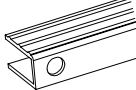
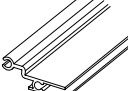
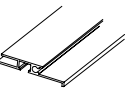
Install H152 after installing the door, when installing, pay attention to the H152 long end toward the door edge, H152 square hole aligned with the square column D47-1 while inserting, placed in the right position and then fixed with S81 , and finally installed on the decorative cover

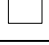






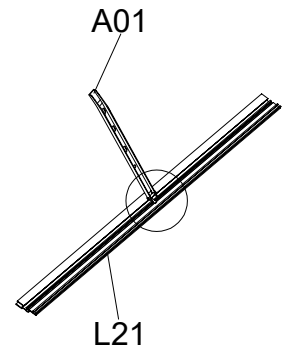
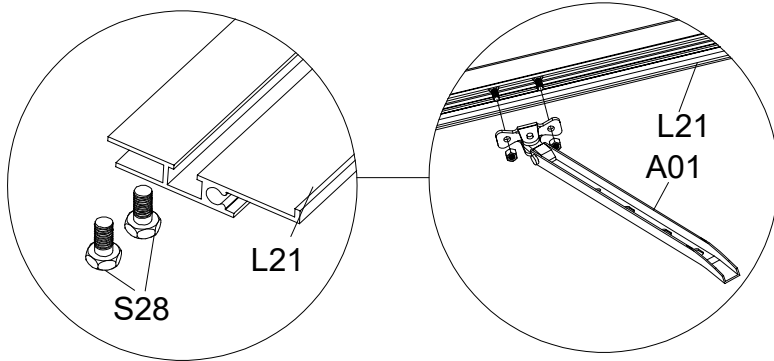
Exploded View

PART	NO.	QTY.
	L12A	4
	L19	8
	L20	4
	L21	4
	Y10	4
	A01	4
	Z15 Ø4X12D	24
	S28 M4X10	8
	M02 M4	8



PART	NO.	QTY.
	L12A	1
	L19	2
	L20	1
	L21	1

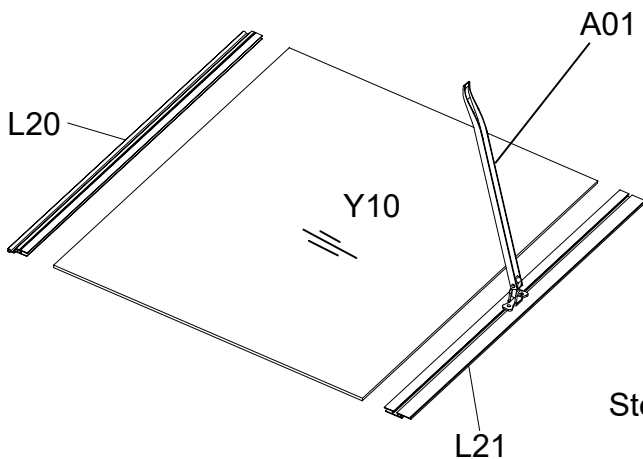
Part	NO.	QTY.
	Y10	1
	A01	1
	Z15 Ø4X12D	6
	S28 M4X10	2
	M02 M4	2



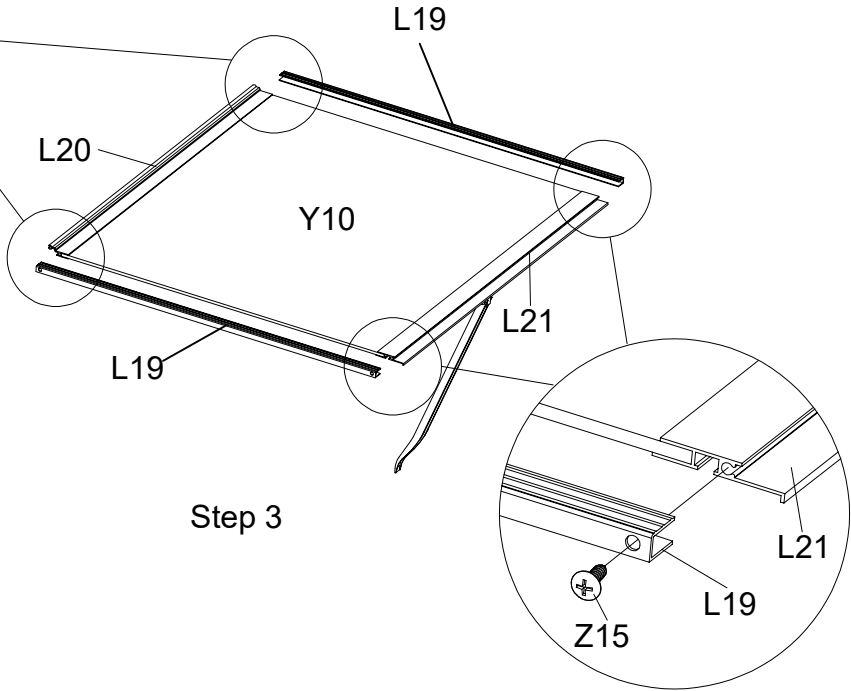
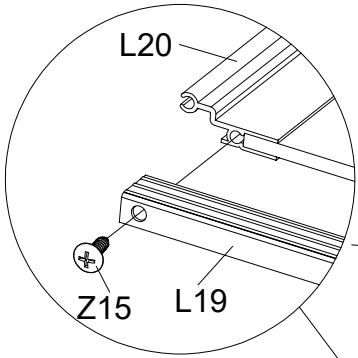
Step 1



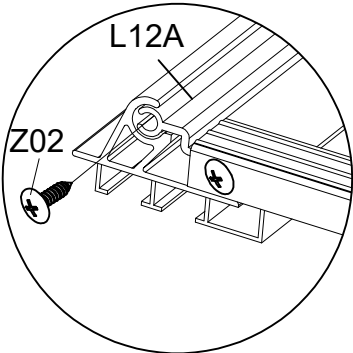
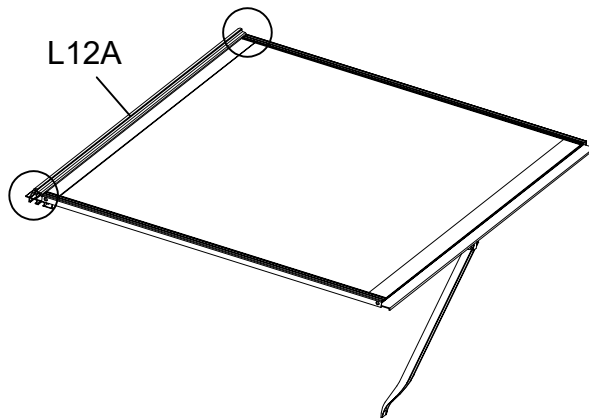
! Attention: Remove the protective films from both sides of each polycarbonate panel, before inserting into aluminum channels. Ensure the milky white film faces towards the Sun.



Step 2



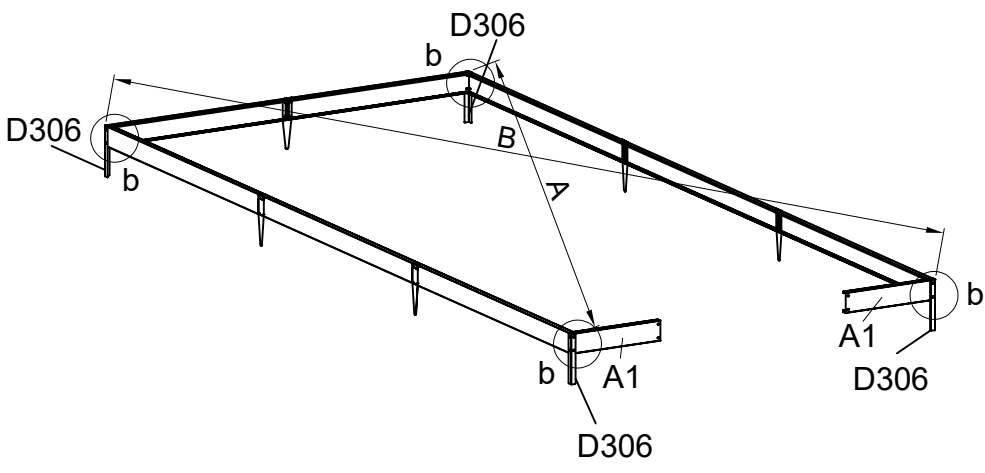
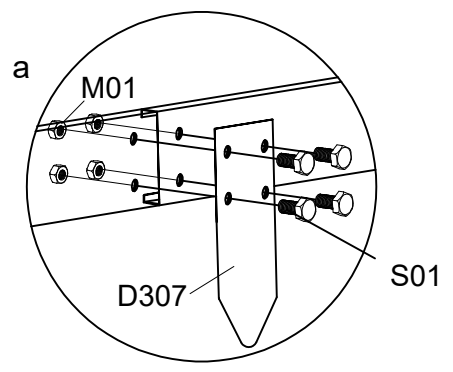
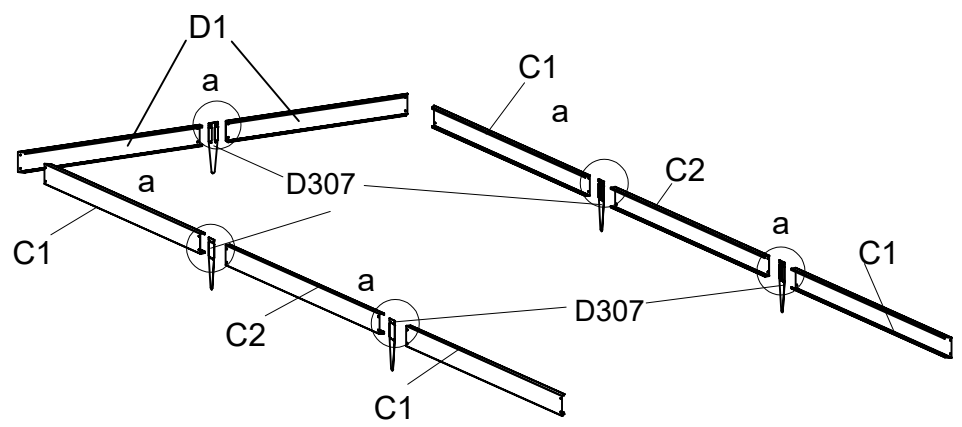
Step 3



Four windows are standard

PART	NO	QTY
	A1	2
	C1	4
	C2	2
	D1	2
	D306	4
	D307	5
	S01 M6X12	36
	M01 M6	36

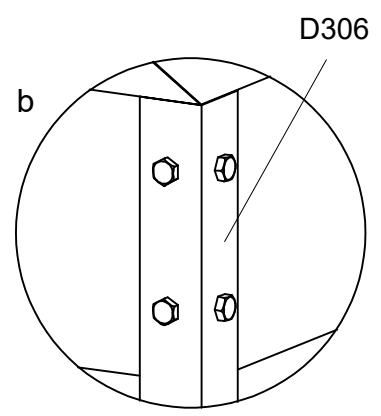
Base Assembly



Attention! D306 and D307 must be inserted into the soil or installed in reverse!

Ⓐ = Ⓑ

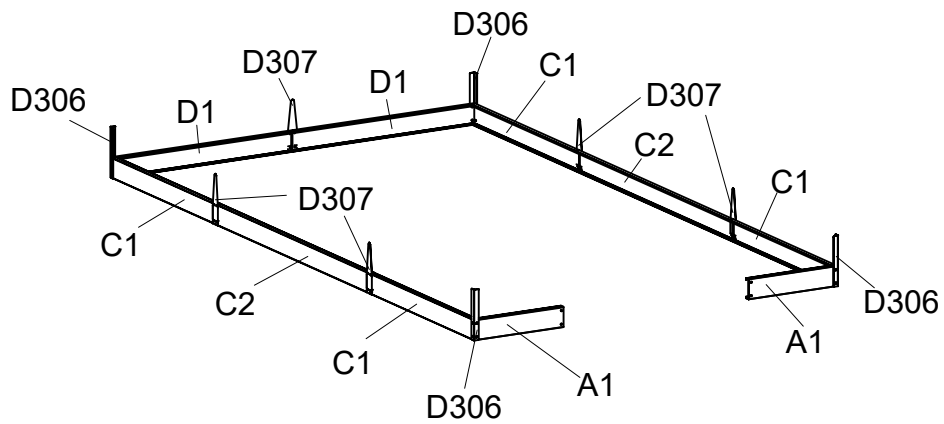
Fix the base before assembly the greenhouse. This is the way to fix the base.





Base Assembly

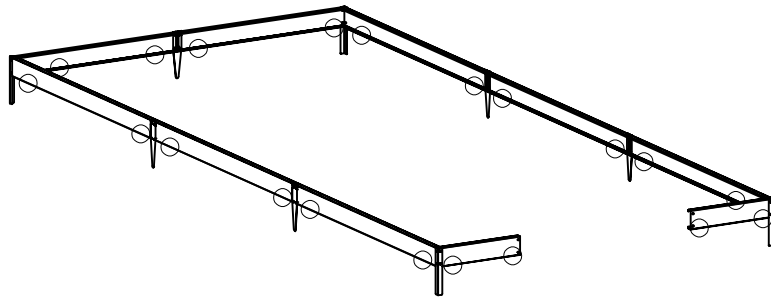


! Attention: Turn over the steel plinths D306 & D308 to complete the base installation as shown below, when the greenhouse is NOT inserted and secured into the soft soil.

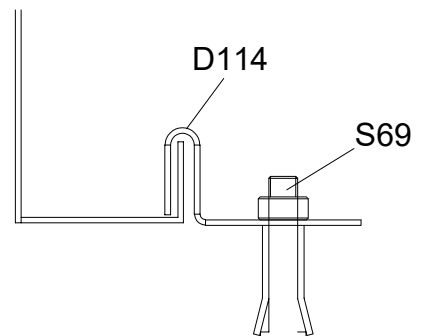
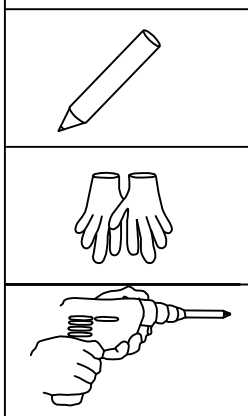
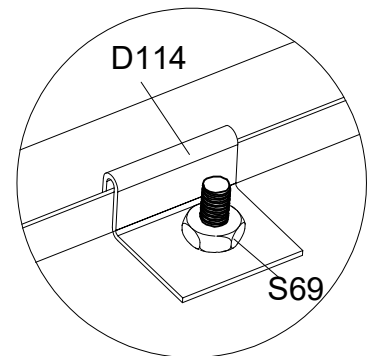
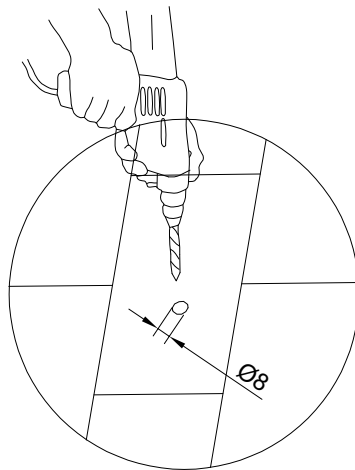
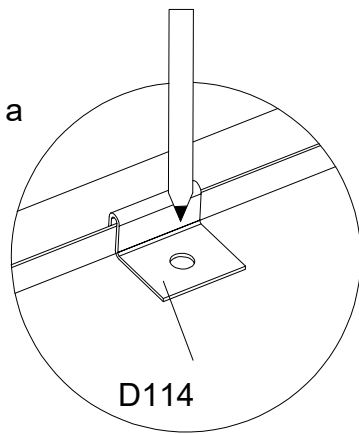
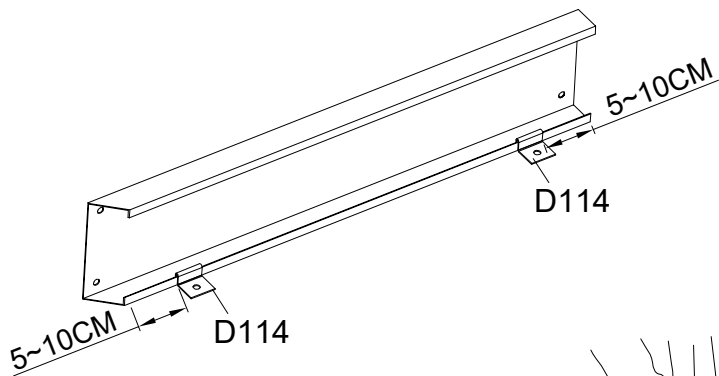


PART	NO	QTY
	D114	20
	S69 M6X60	20

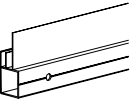
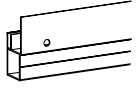
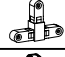

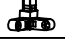

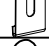
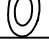

Base Assembly

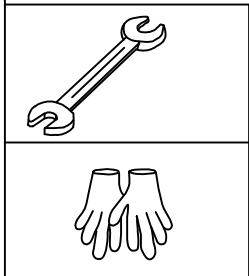
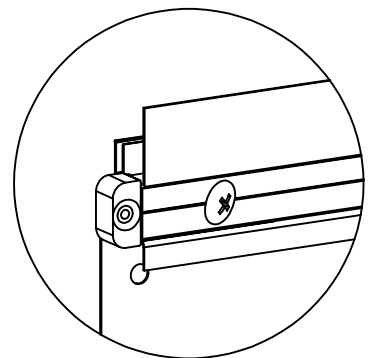
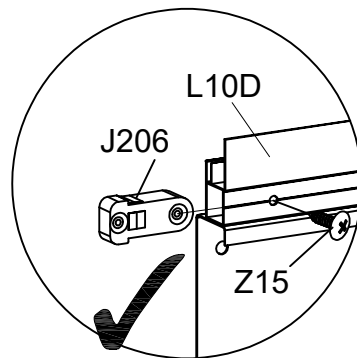
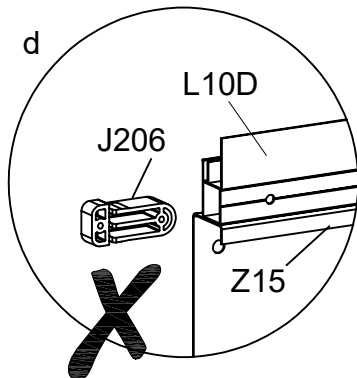
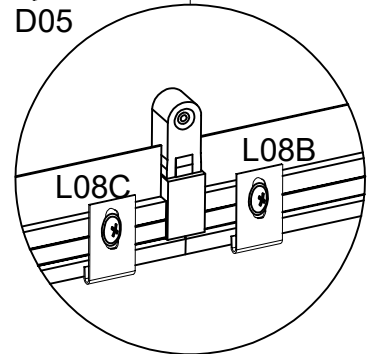
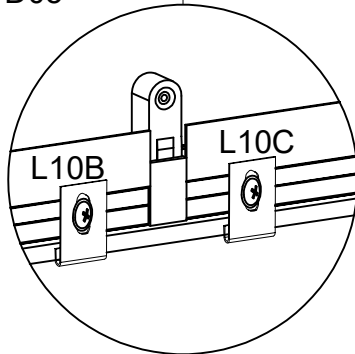
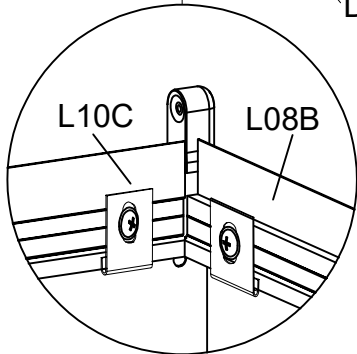
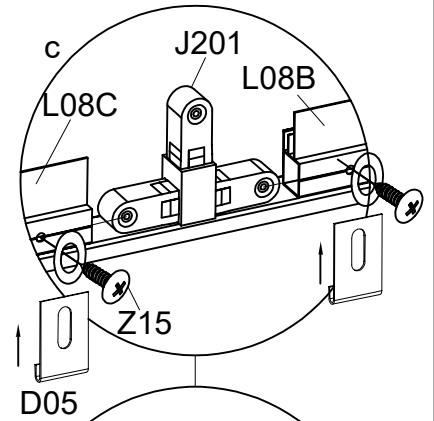
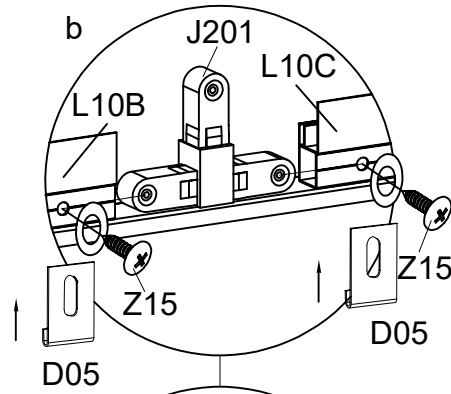
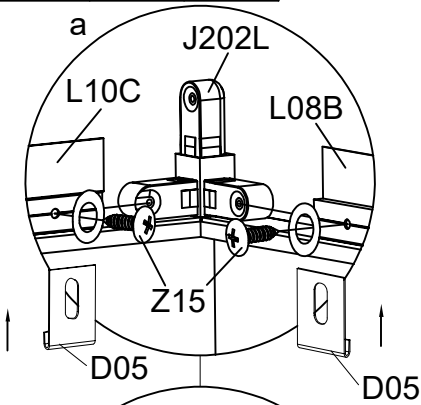
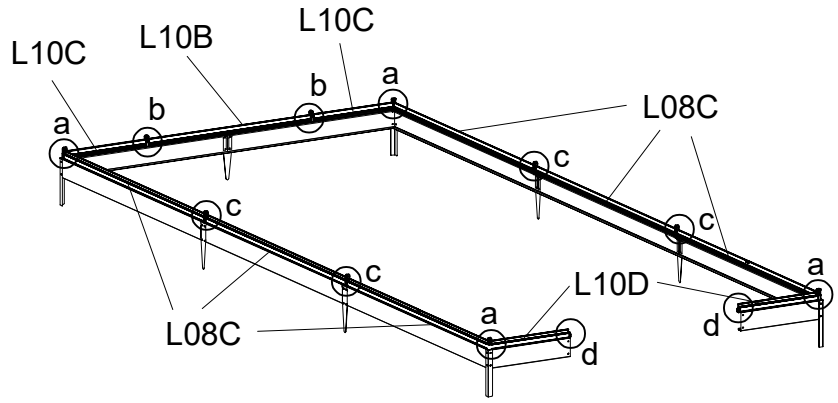


1. Fix the base anchor clip D114 onto each base section with a distance of 5~10CM from each end.
2. Mark the middle of the D114 hole to drill the $\varnothing 8$ hole, then use S69 to fix the D144 to the ground

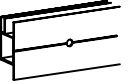
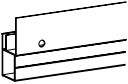
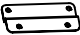

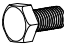





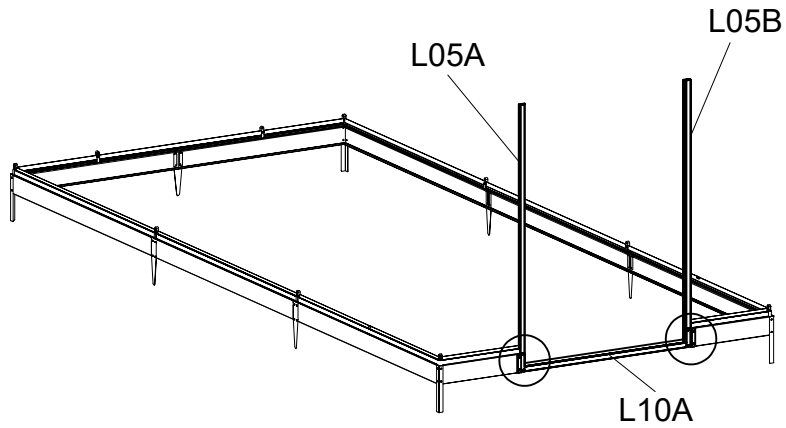
Wall Assembly

PART	NO	QTY
	L08C	6
	L10B	1
	L10C	2
	L10D	2
	J201	6
	J202L	2
	J202R	2
	J206	2
	D05	24
	H40	24
	Z15	24
	Ø4X12D	

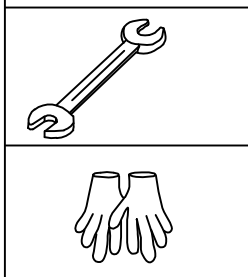
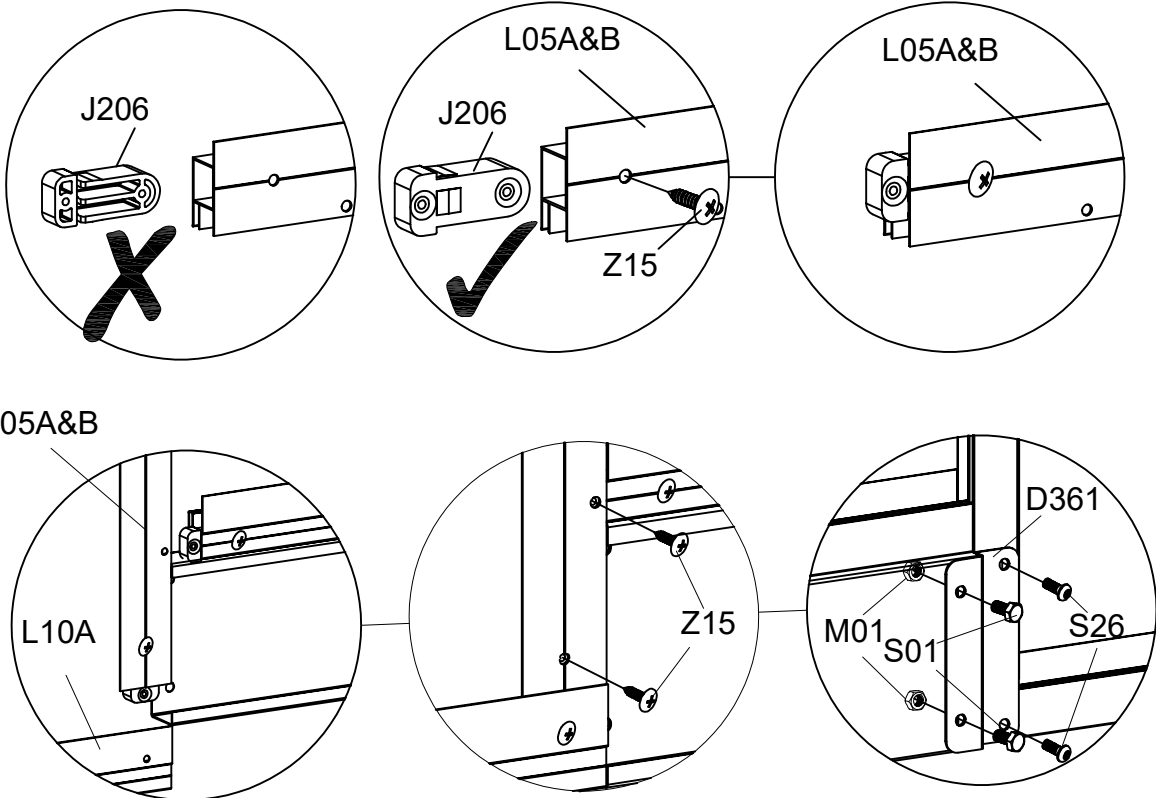


Wall Assembly


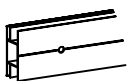


PART	NO	QTY
	L05A	1
	L05B	1
	L10A	1
	D361	2
	J206	2
	S01	4
	M6X10	
	M01	4
	M6	
	S26	4
	M6X12	
	Z15	6
	Ø4X12D	

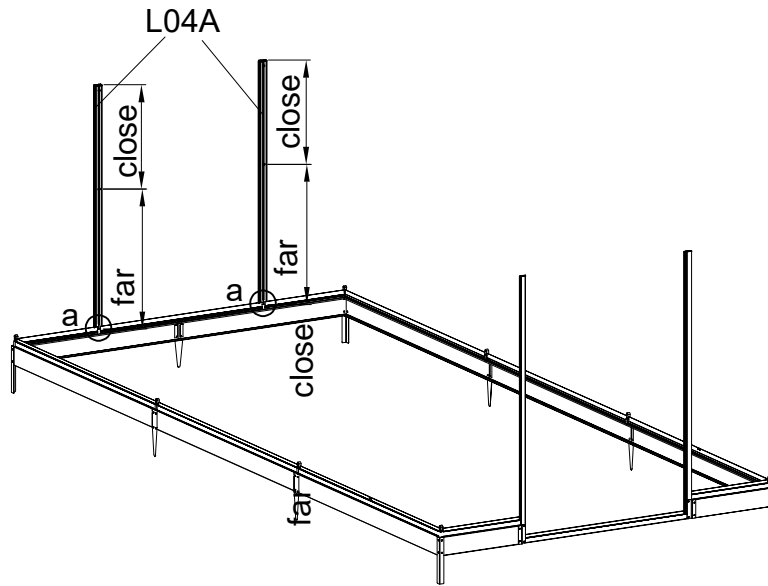


Note: Install L05A&B with two holes facing down.
Fix J206 with Z15, ensuring correct orientation

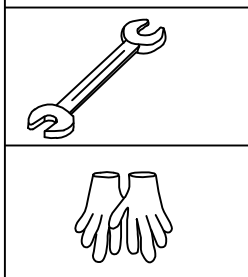
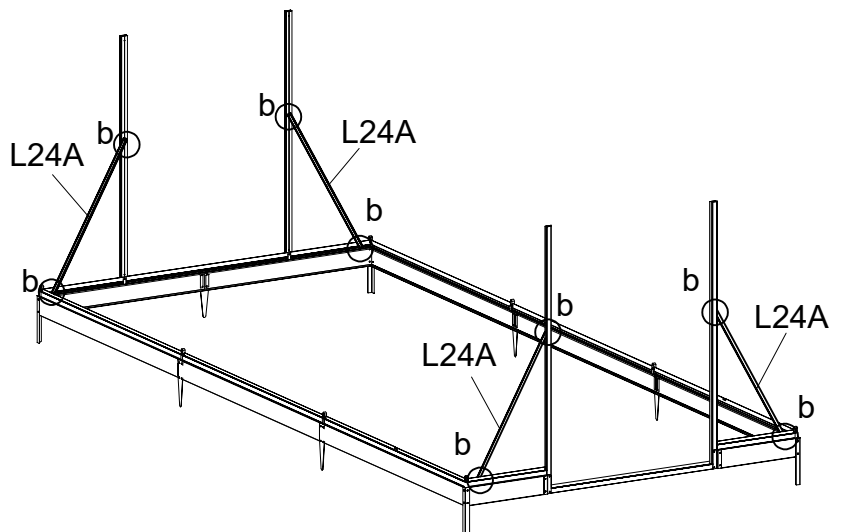
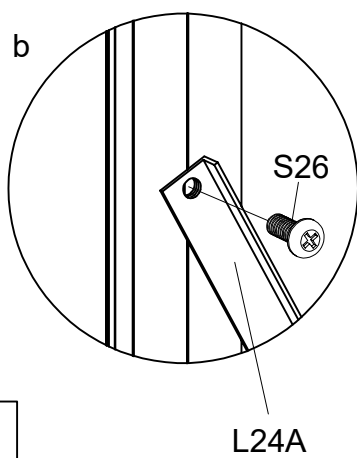
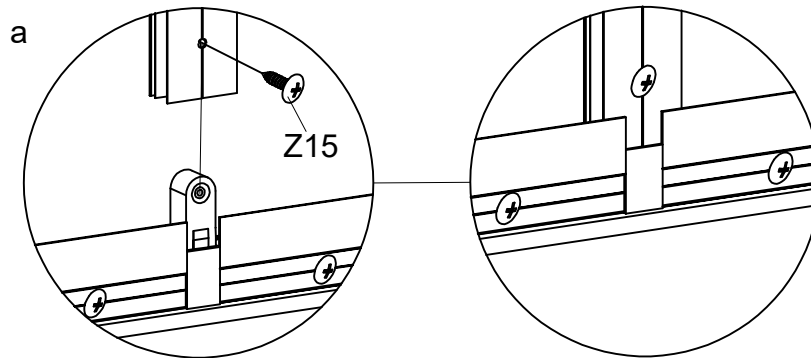


Wall Assembly

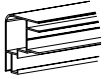


PART	NO	QTY
	L24A	4
	L04A	2
	Z15 Ø4X12D	2
	S26 M6X12	8

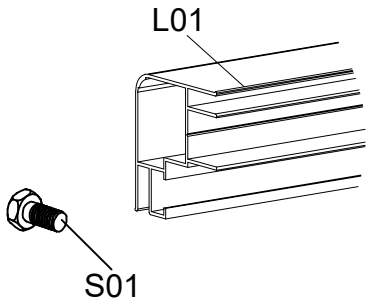
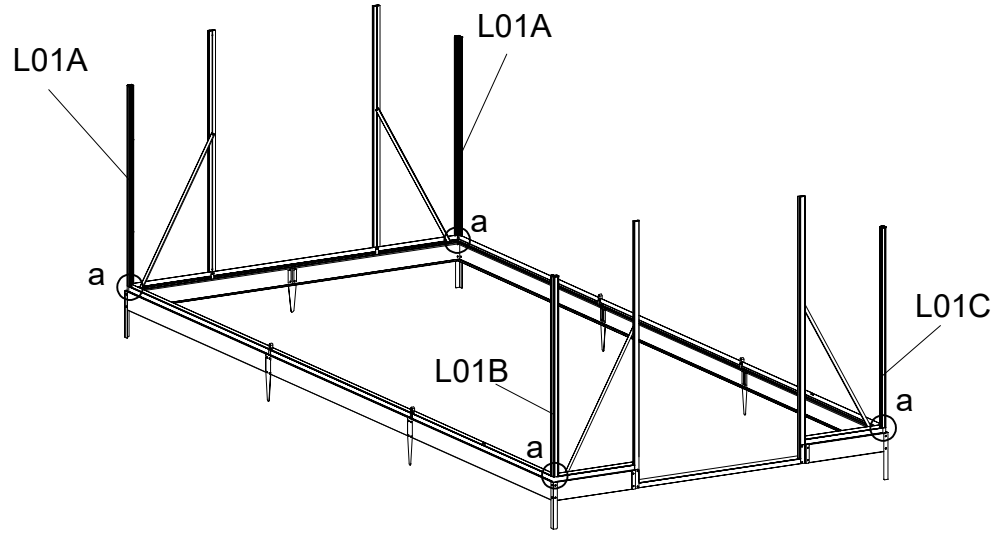


Note: If the center hole of L04A is closer to the top, it means the installation direction is correct.

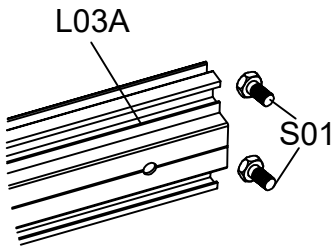


Wall Assembly

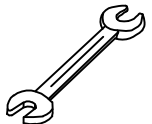
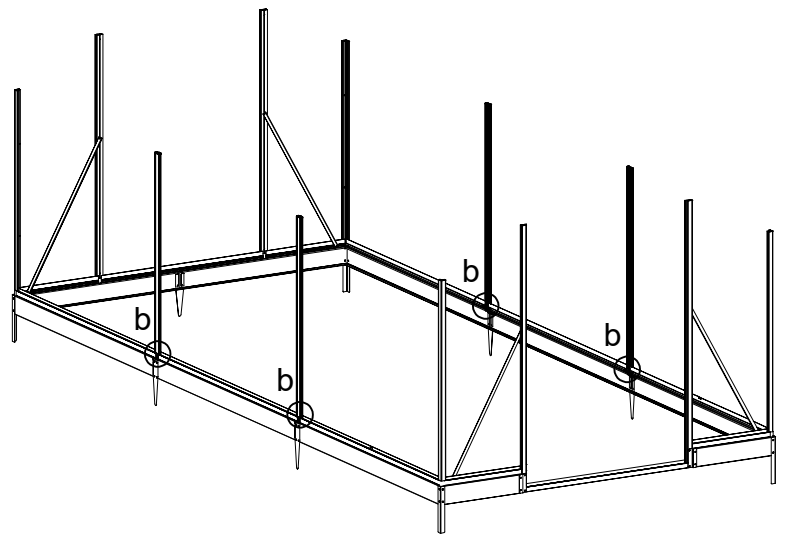
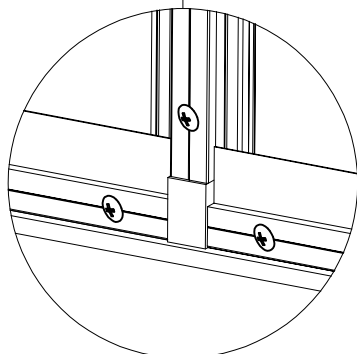
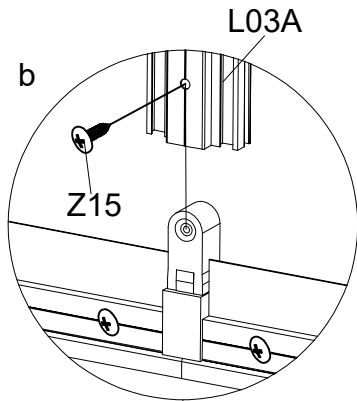
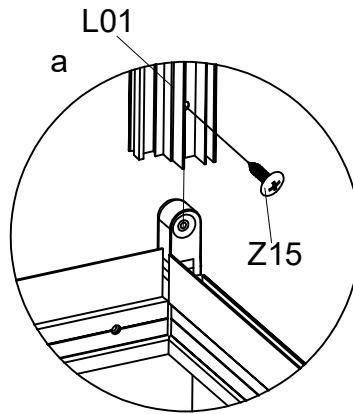
PART	NO	QTY
	L01A	2
	L01B	1
	L01C	1
	L03A	4
	Z15 Ø4X12D	12
	S01 M6X10	12





Insert the S01 screw into the slide slot of the L01.

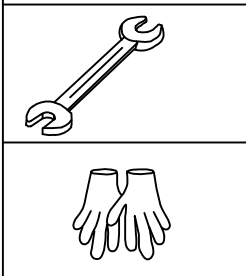
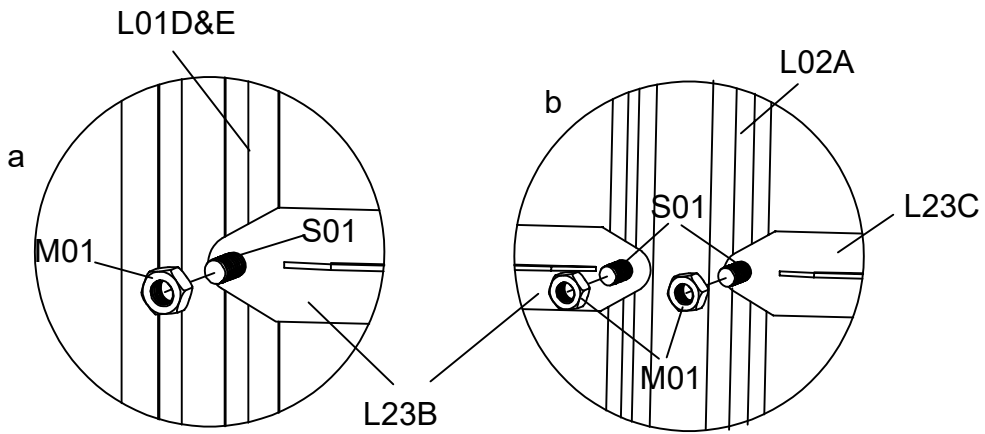
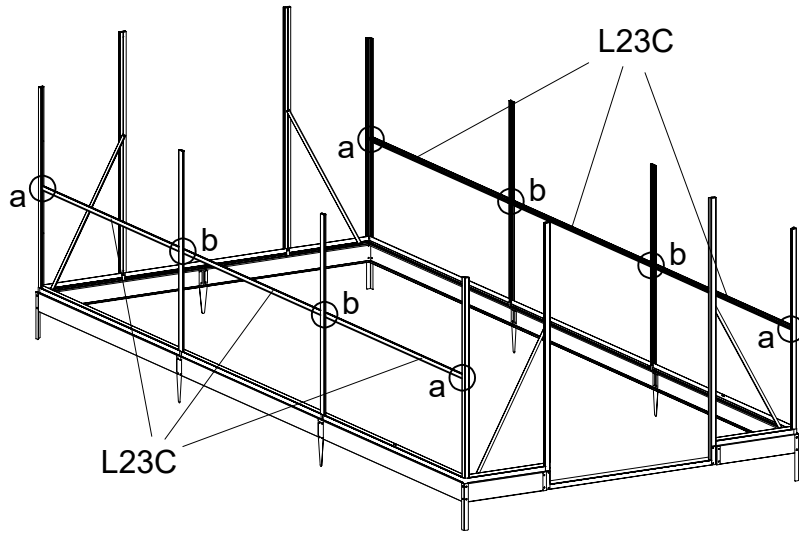


Insert the S01 screw into the two slide slot of the L03 respectively.

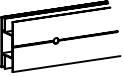




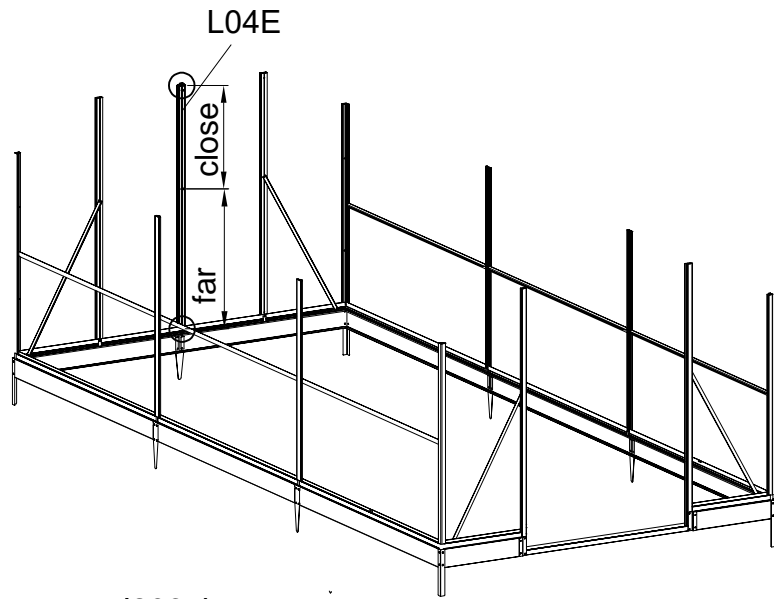
Wall Assembly

PART	NO	QTY
	L23C	6
	M01 M6	12

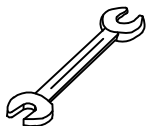
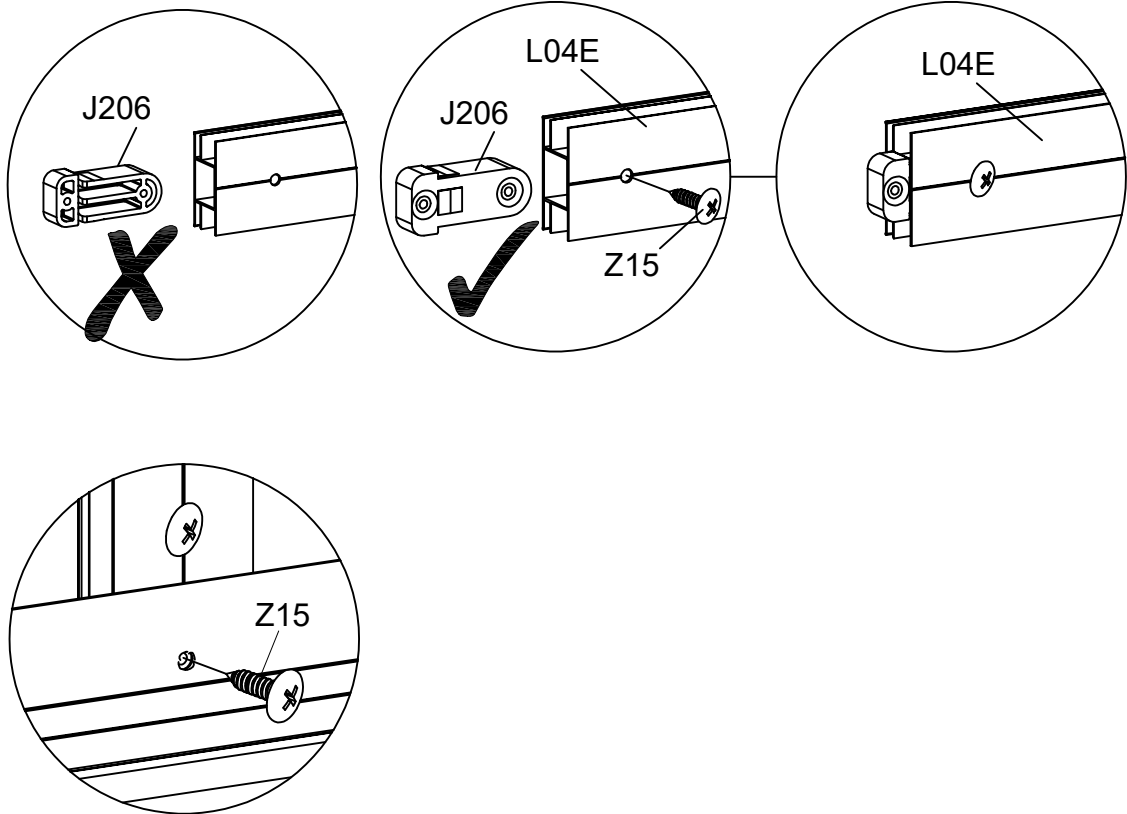






Wall Assembly

PART	NO	QTY
	L04E	1
	J206	2
	Z15 Ø4X12D	3

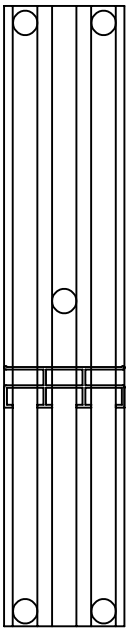
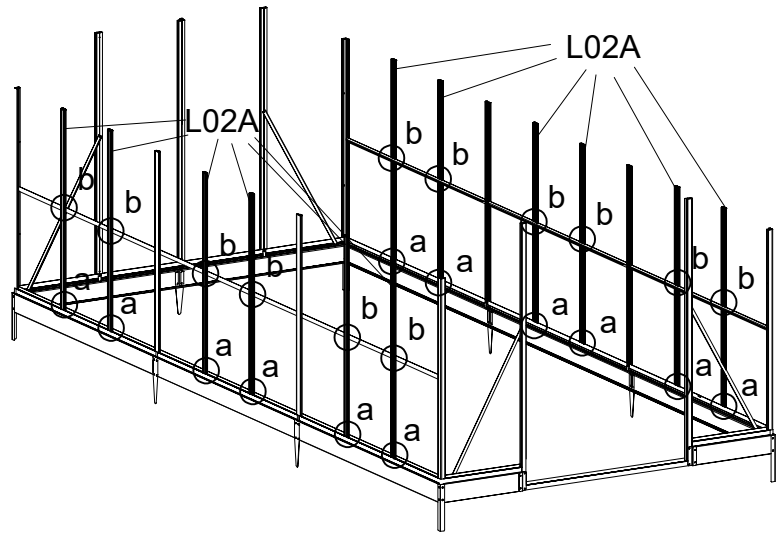


Both ends of L04E must use Z15 to secure J206, the center hole of L04E is closer to the top, and pay attention to the direction of J206 when installing.

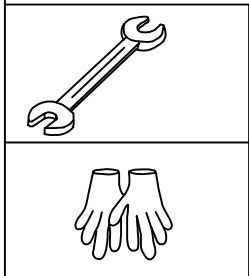
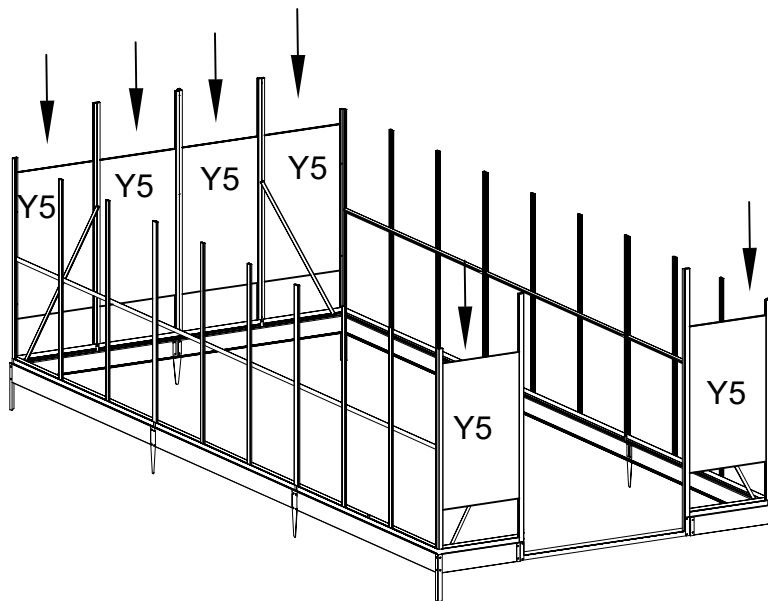
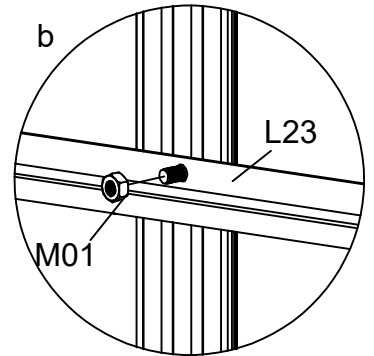
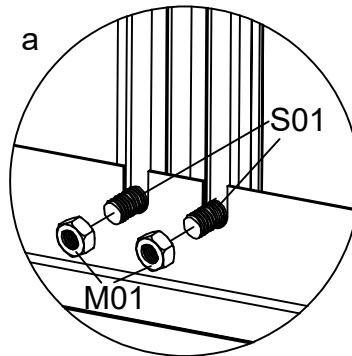
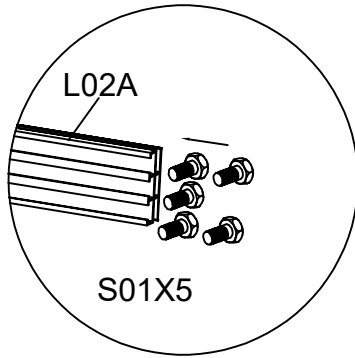


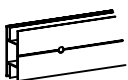



PART	NO	QTY
	L02A	12
	S01 M6X10	60
	M01 M6	36
	Y5	6

Wall Assembly



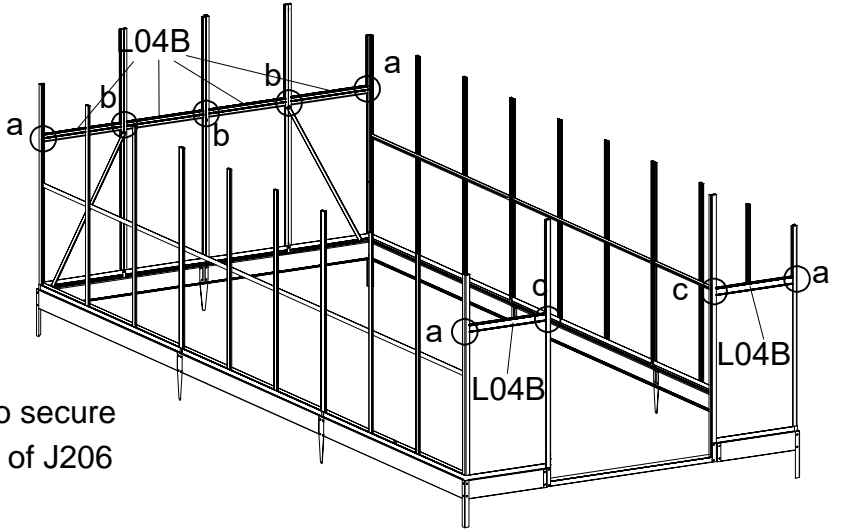
Slide in 5 S01 screws to L02A with 2 slots at each end and 1 screws in the middle, as shown on the left picture.



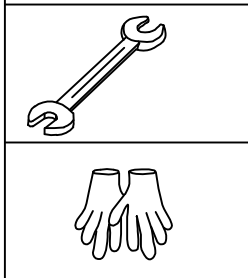
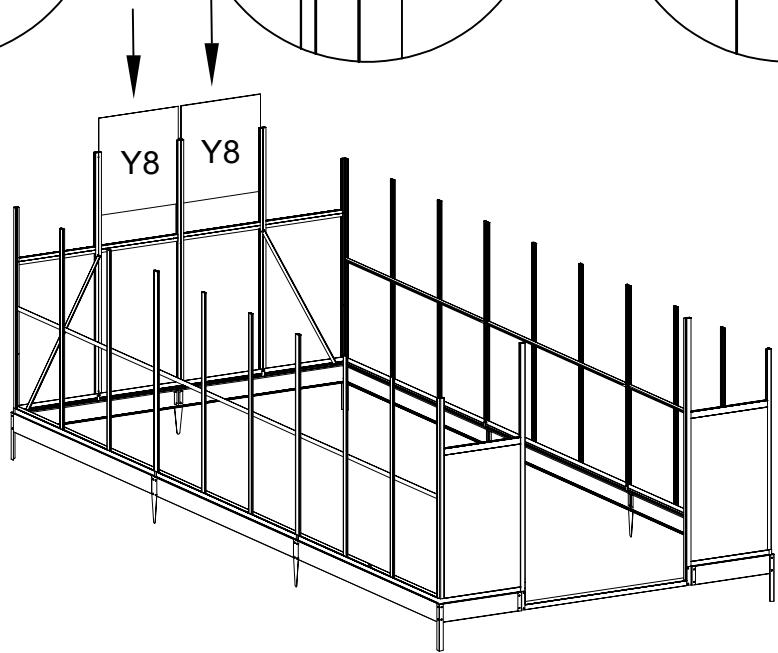
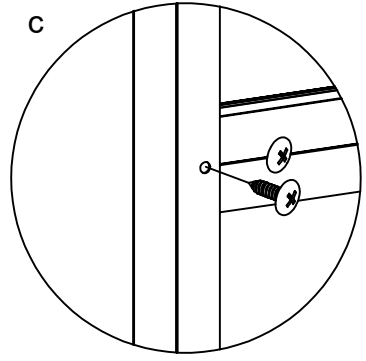
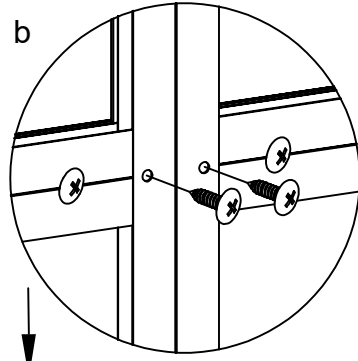
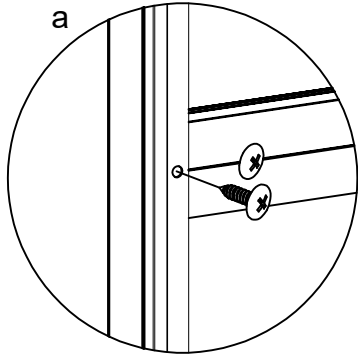
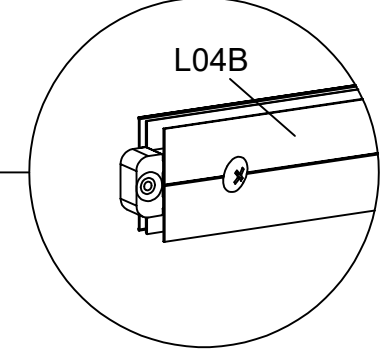
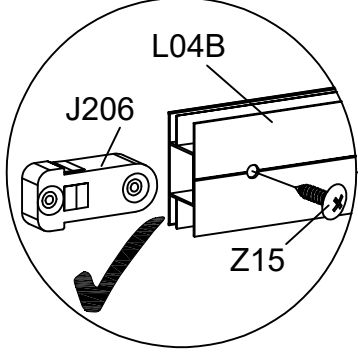
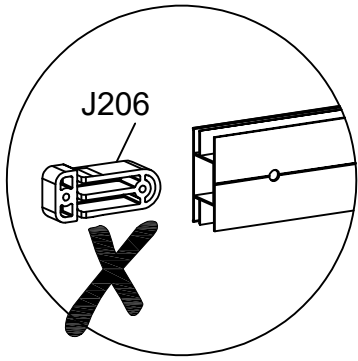
PART	NO	QTY
	L04B	6
	J206	12
	Z15 Ø4X12D	24
	Y8	2

Put the panels into positions

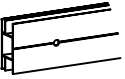
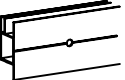



Wall Assembly

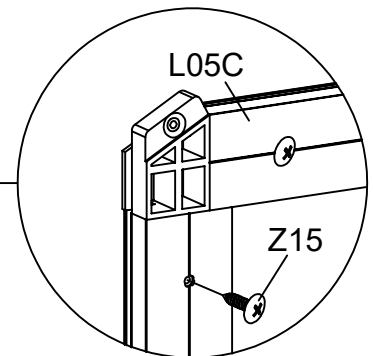
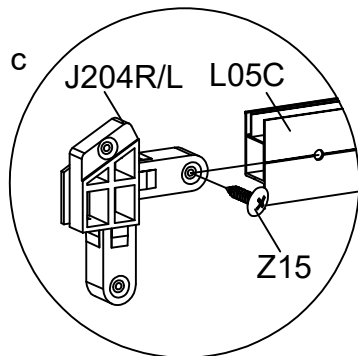
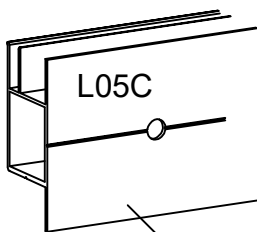
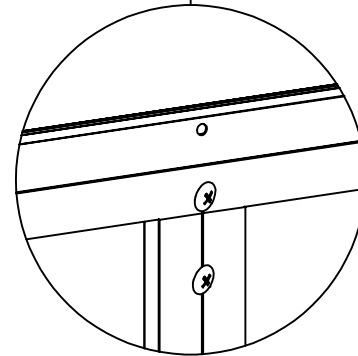
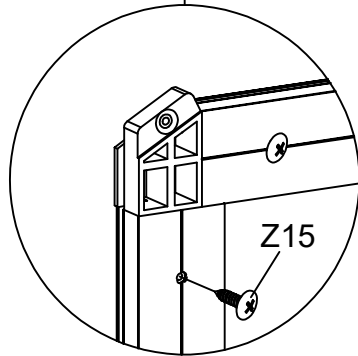
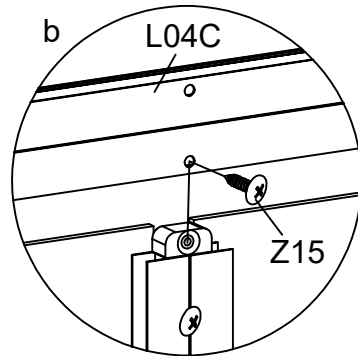
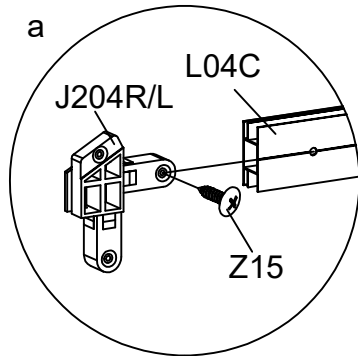
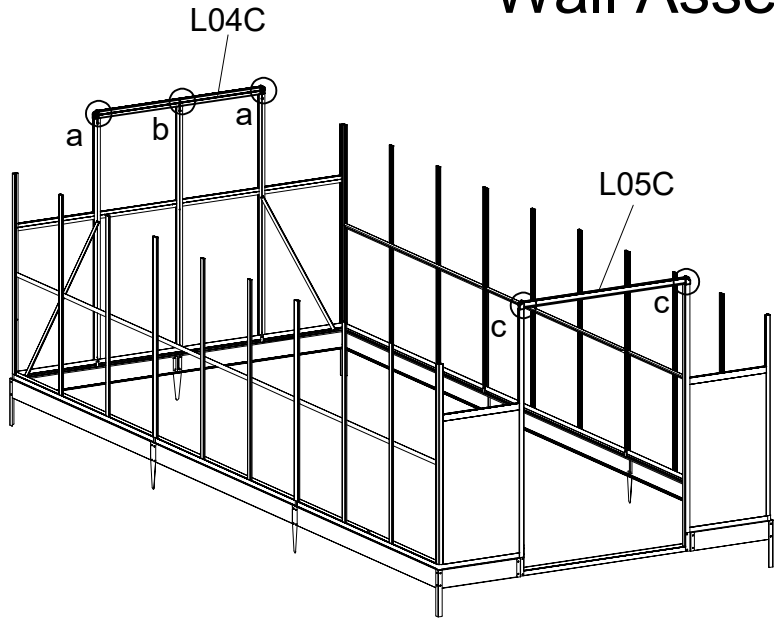


Both ends of L04E must use Z15 to secure J206, pay attention to the direction of J206 when installing.

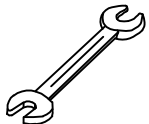


Wall Assembly

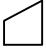


PART	NO	QTY
	L04C	1
	L05C	1
	J204R	2
	J204L	2
	Z15 Ø4X12D	9

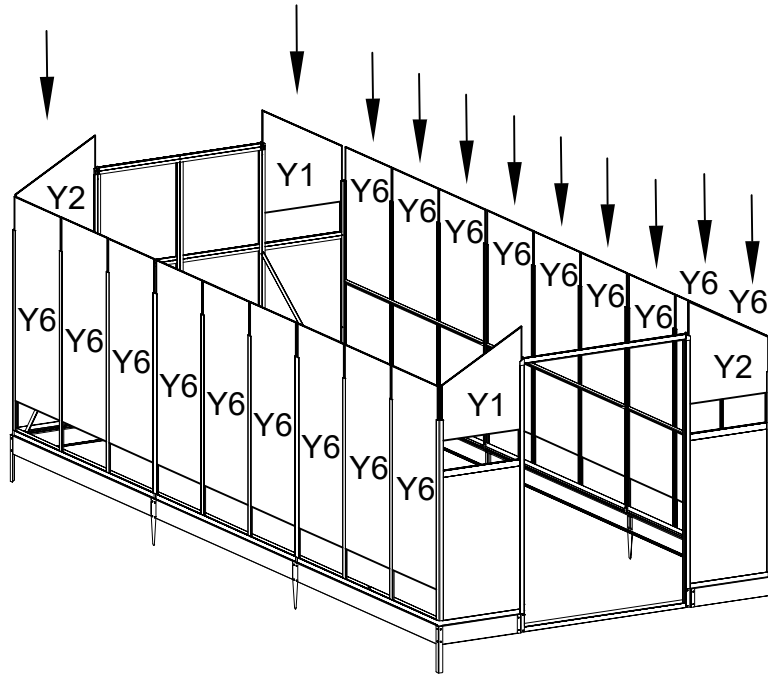


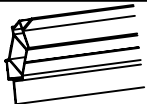




Note: The side of the L05C part without a solar panel slot should face downwards.



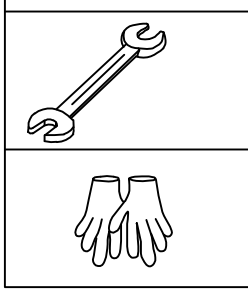
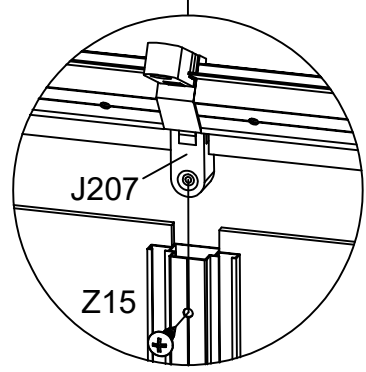
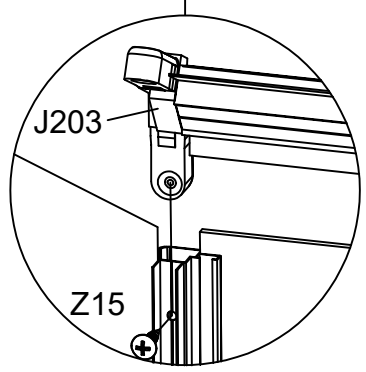
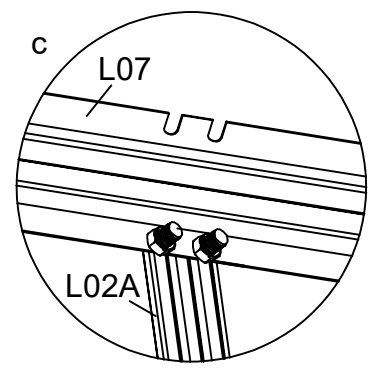
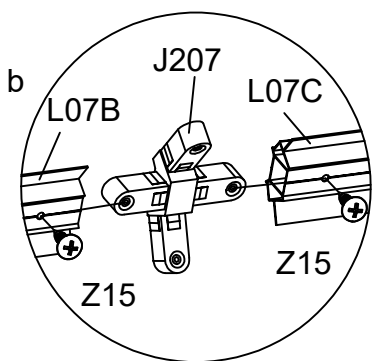
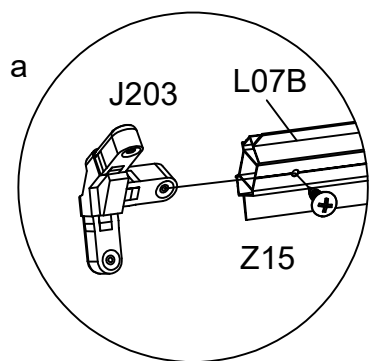
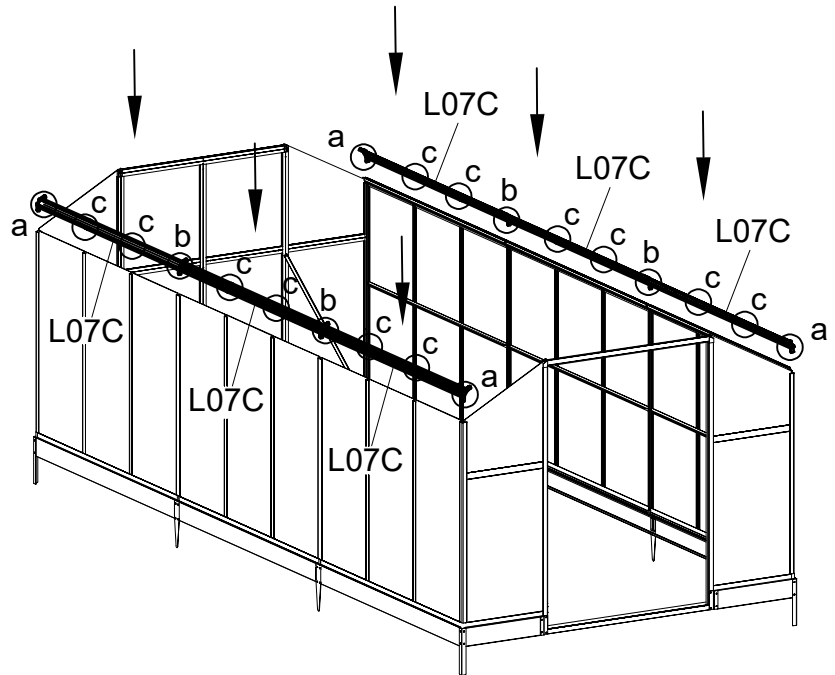
Wall Assembly

PART	NO	QTY
	Y1	2
	Y2	2
	Y6	18

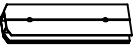



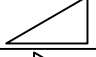
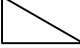


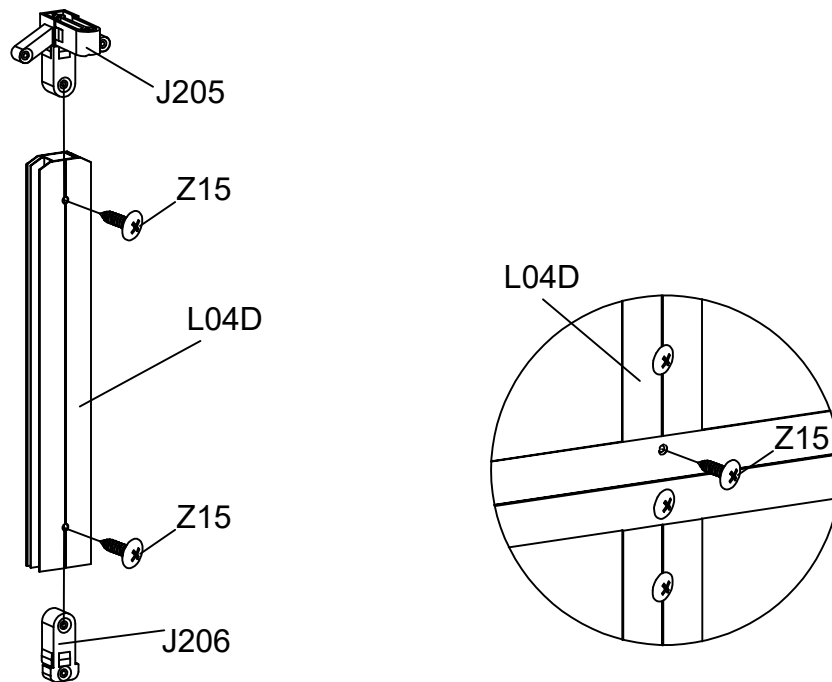
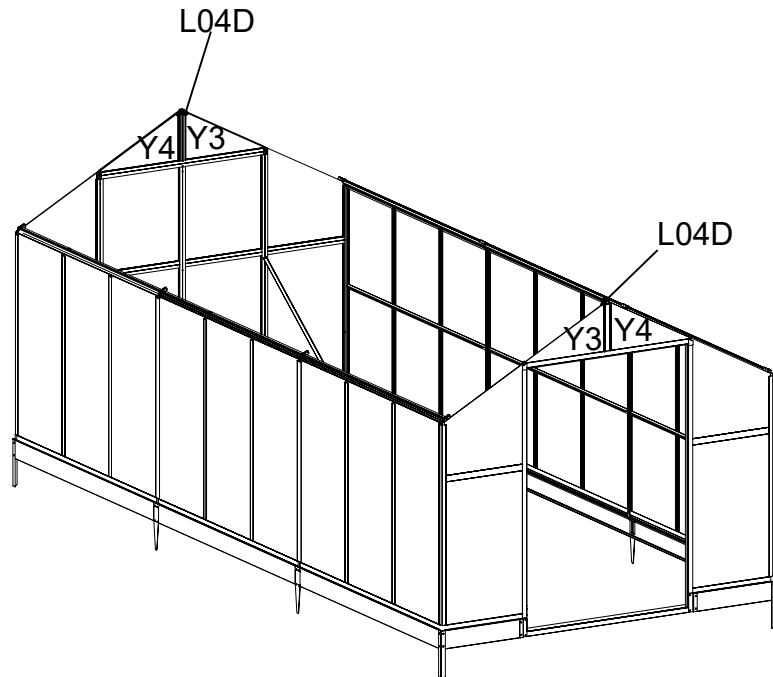
PART	NO	QTY
	L07C	6
	J203	4
	J207	4
	M01 M6	16
	Z15 Ø4X12D	20

Wall Assembly

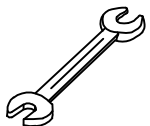


Wall Assembly

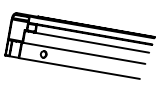

PART	NO	QTY
	L04D	2
	J205	2
	J206	2
	Z15 Ø4X12D	6
	Y3	2
	Y4	2

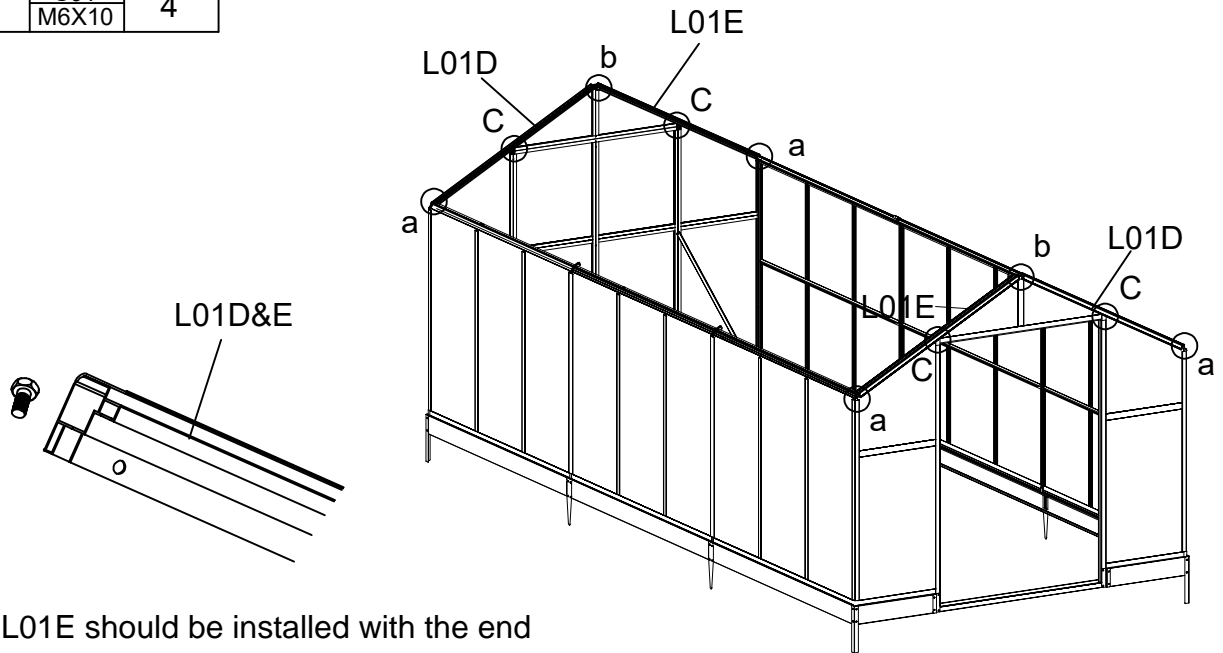


L04D has a cut corner on the side facing up, with J205 on the upper end and J206 on the lower end.

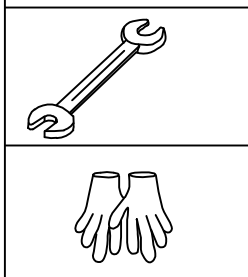
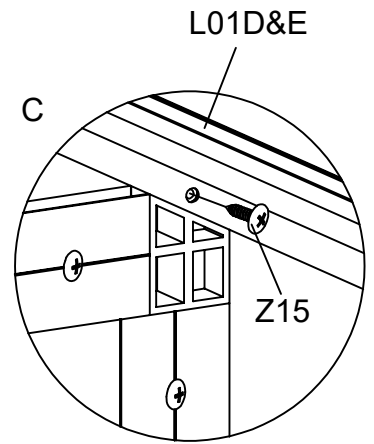
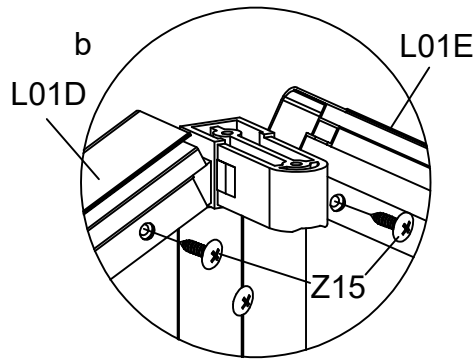
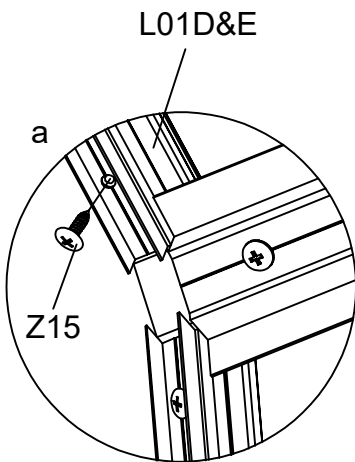


Wall Assembly





PART	NO	QTY
	L01D	2
	L01E	2
	Z15 Ø4X12D	12
	S01 M6X10	4

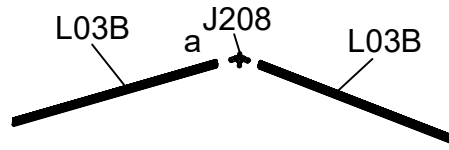


L01D and L01E should be installed with the end of the hole facing upwards, and 1 S01 should be inserted into the slot.

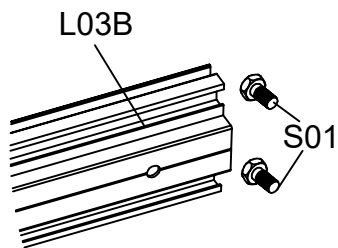
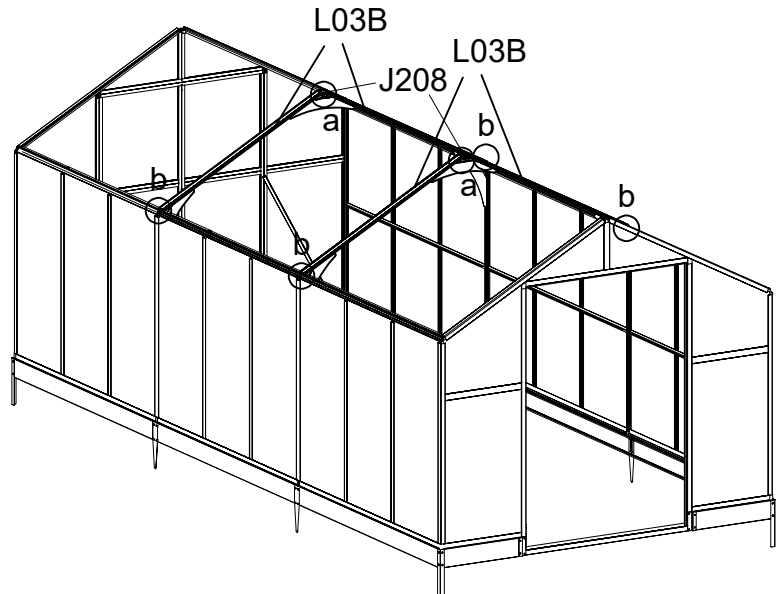
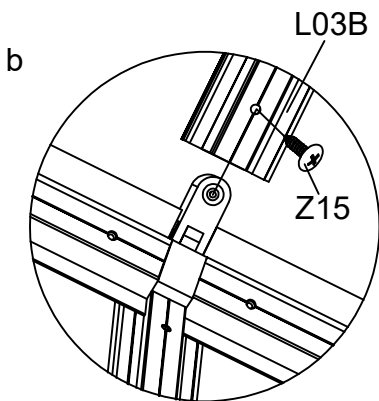
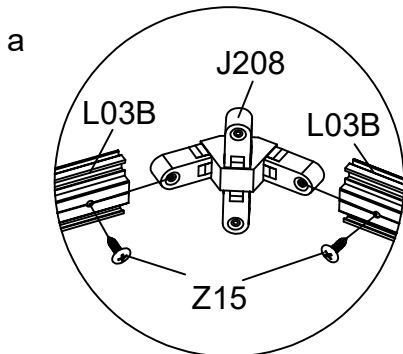


Top Assembly

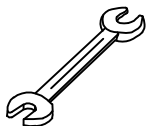
PART	NO	QTY
	L03B	4
	J208	2
	Z15 Ø4X12D	8
	S01 M6X10	12


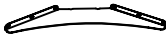
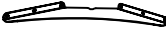




Link the two L03Bs with J208 (installed on the ground first)

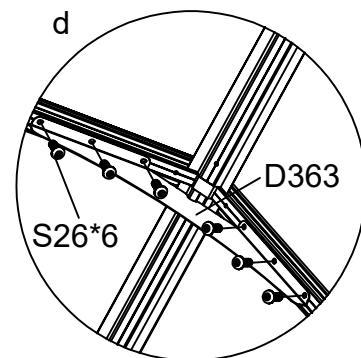
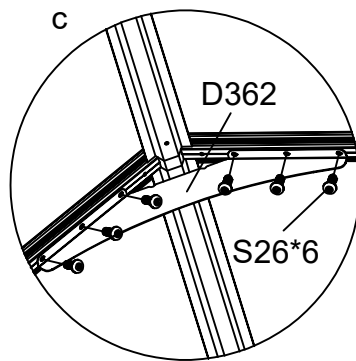
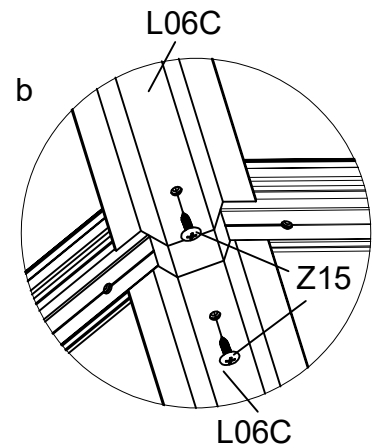
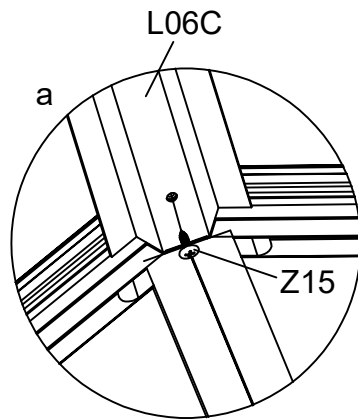
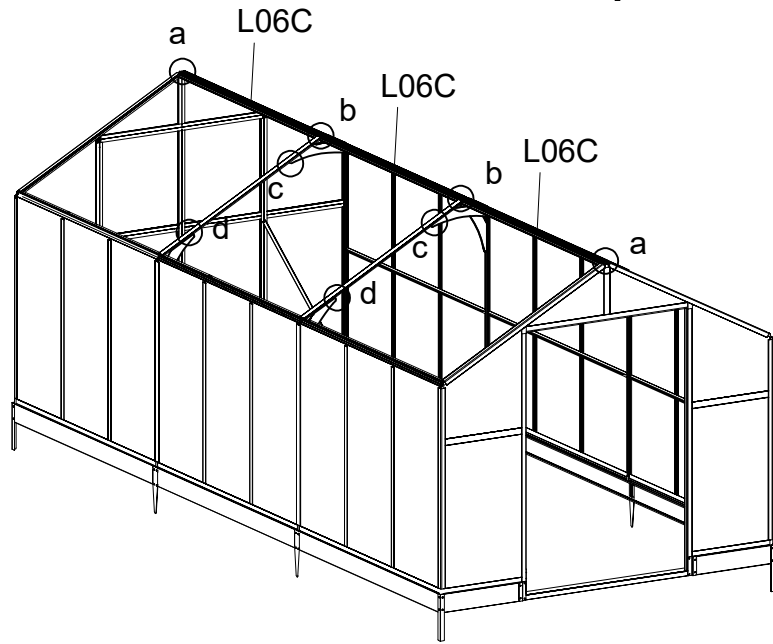


Insert the S01 screw into the two slide slot of the L03 respectively.






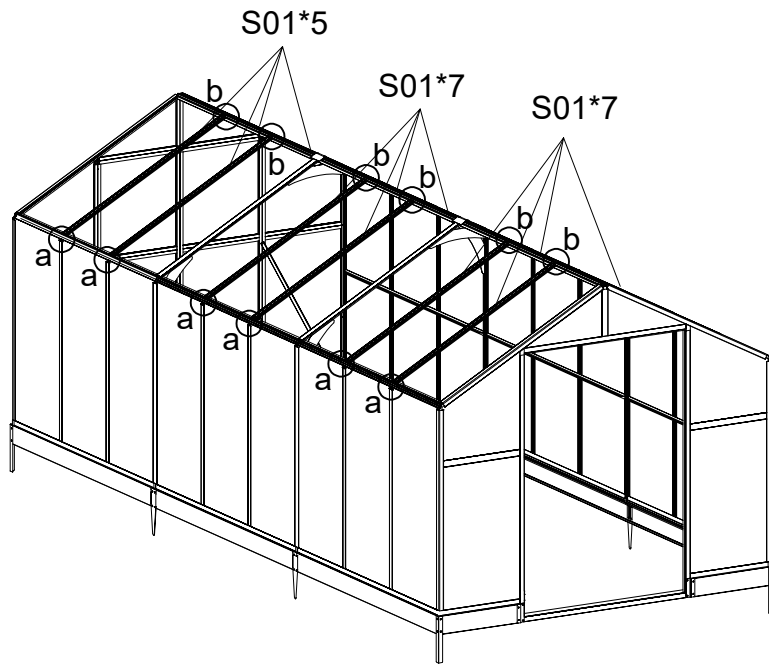
PART	NO	QTY
	L06C	3
	D362	2
	D363	4
	S26 M5X12	36
	Z15 Ø4X12D	6

Top Assembly

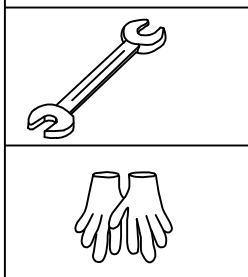
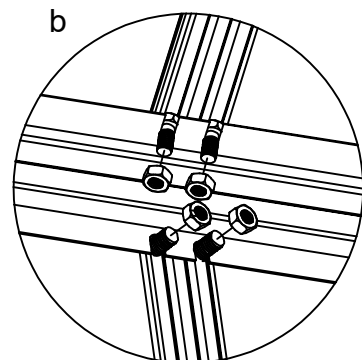
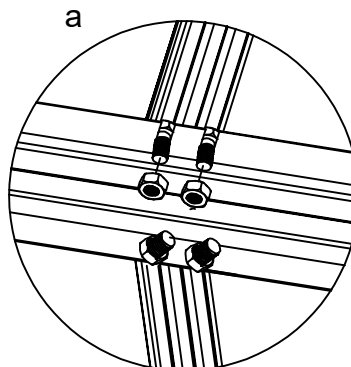
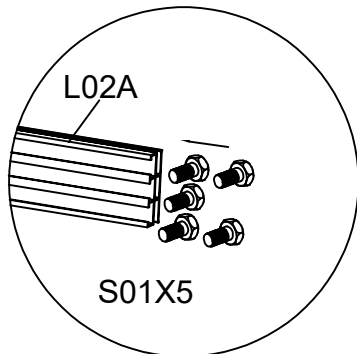
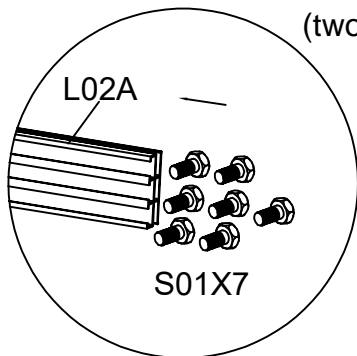







Top Assembly

PART	NO	QTY
	L02A	12
	S01 M6X10	76
	M01 M6	48

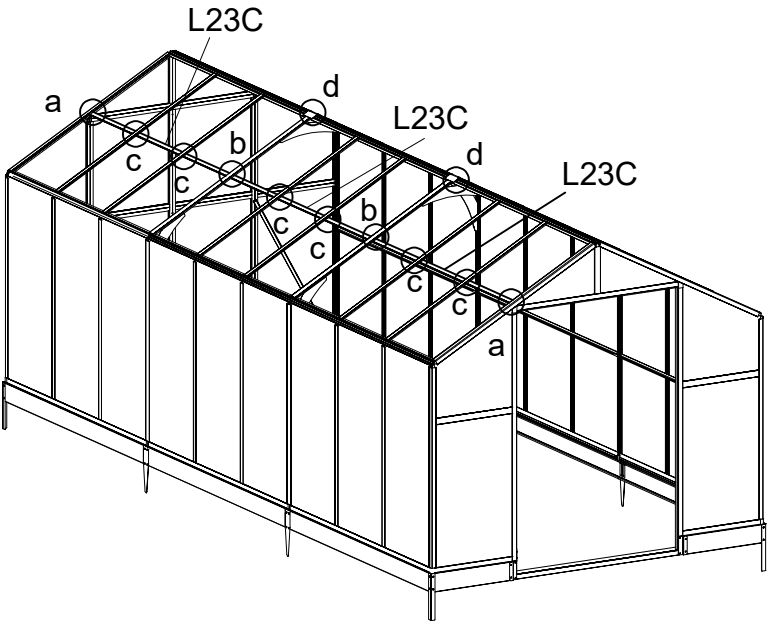


Slide 7 S01 screws to the L02A need to install windows (two at each end, three in the center), slide 5 S01 screws to the rest of the L02A (two at each end, one in the middle)

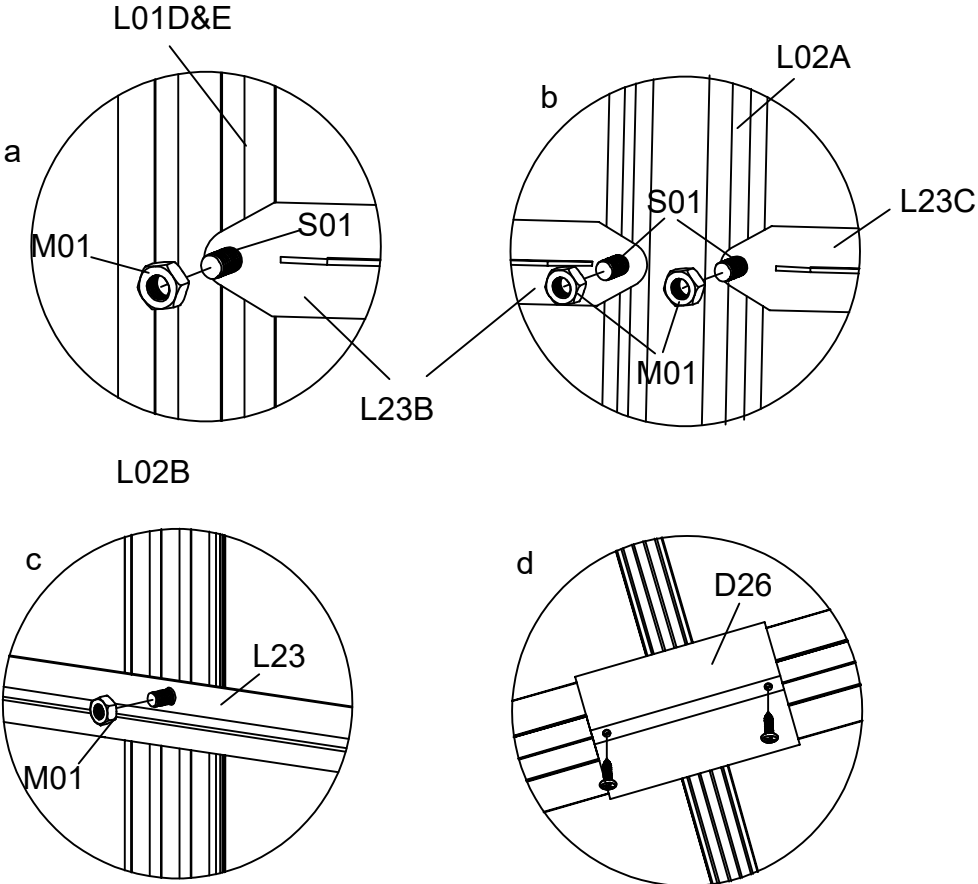


PART	NO	QTY
	L23C	6
	D26	2
	M01	24
	M6	
	Z08	4
	M4.2X16	

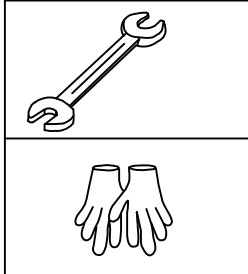
Top Assembly







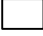


L23B&C with the extra reinforced edge in the middle should face inside.

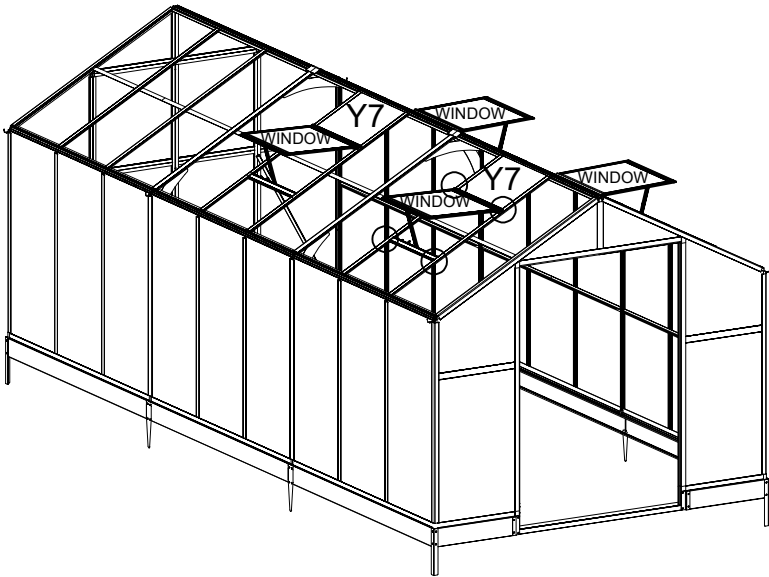


Fix D26 to L06B&C from outside with self-tapping screws Z08, using a powered screwdriver.

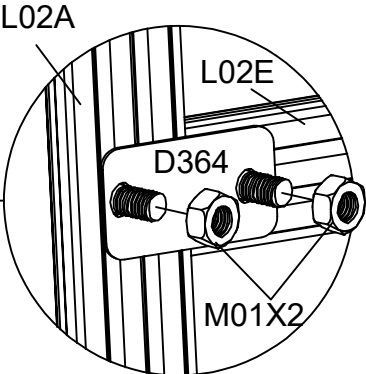
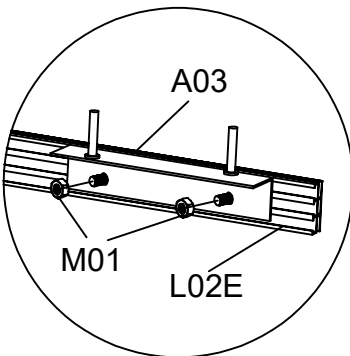
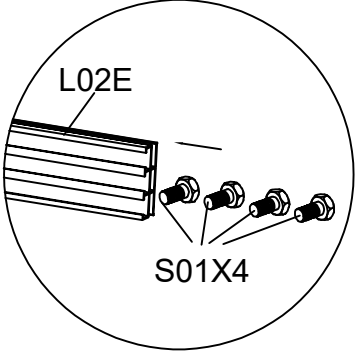


Top Assembly

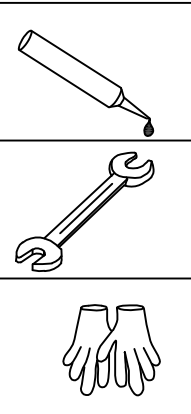
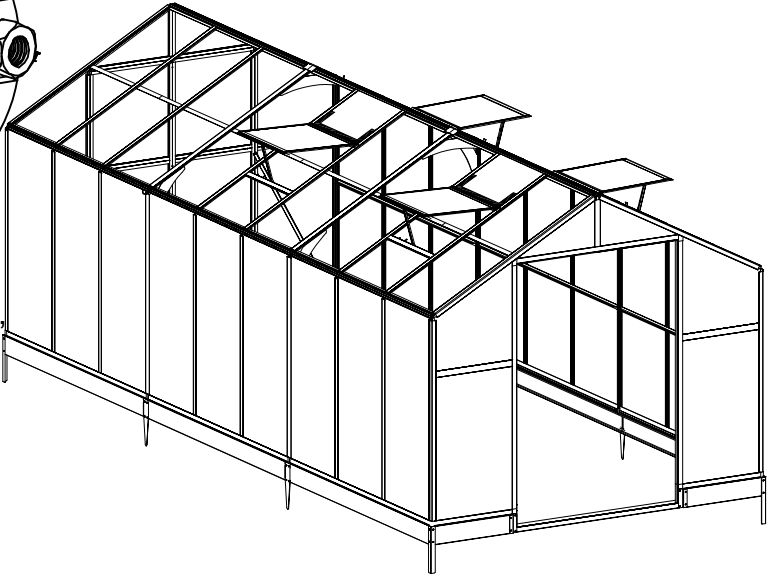
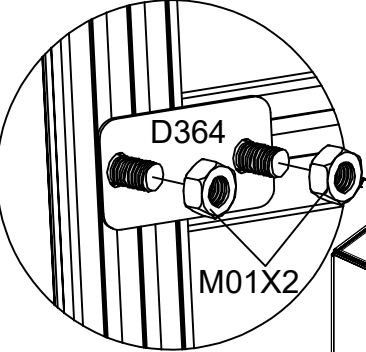
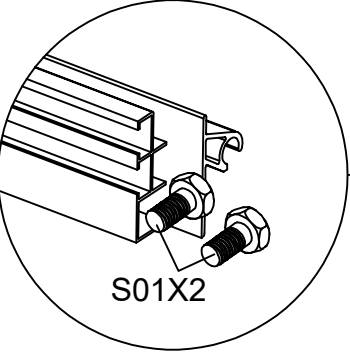
PART	NO	QTY
	L02E	4
	A03	4
	WINDOW	4
	D364	16
	Y7	4
	S01 M6X10	24
	M01 M6	40



attention to sliding into the middle chute



When installing L02E, the window needs to be lifted up to avoid the window not opening after the installation is complete

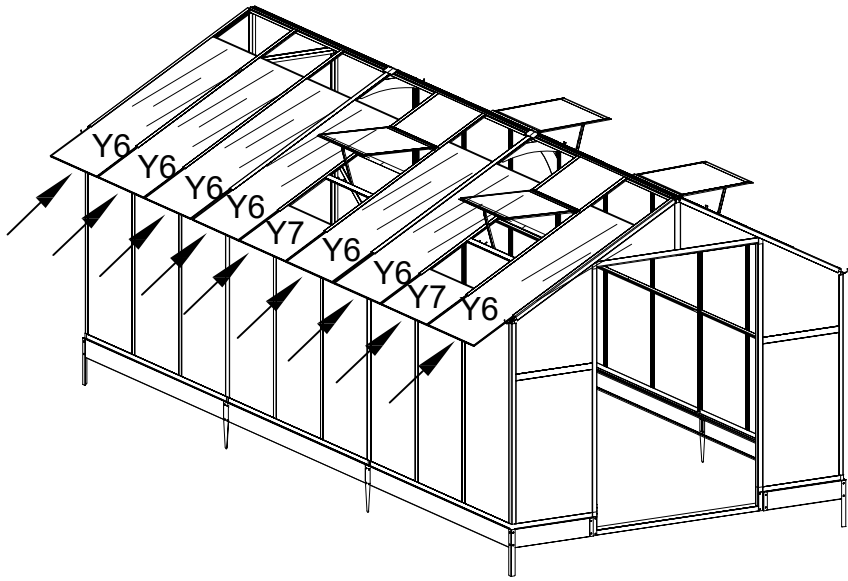


Slide 2 bolts (S01) into each L12A, and bolt it to L02A, using the S01 & M01.

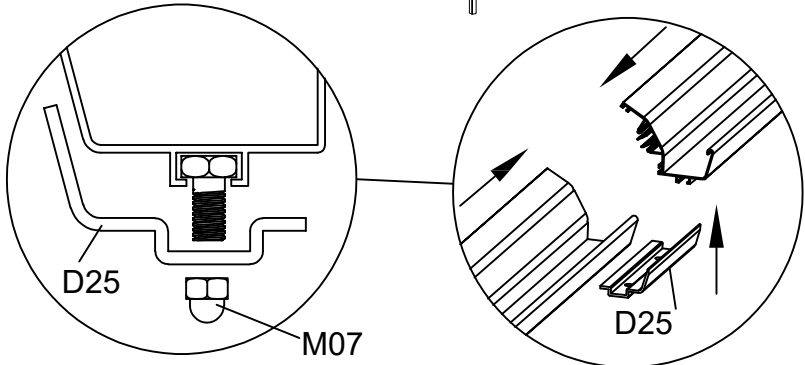
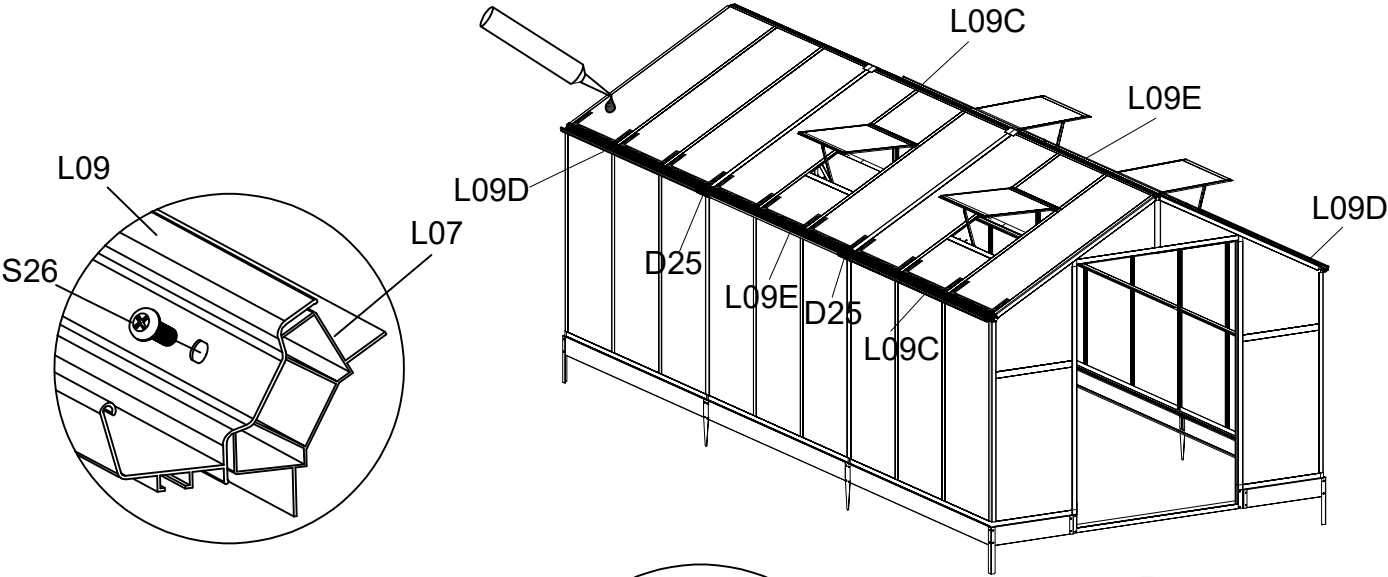
After the panels and windows are in position, put some silicone sealant around to avoid leaking water.

Top Assembly

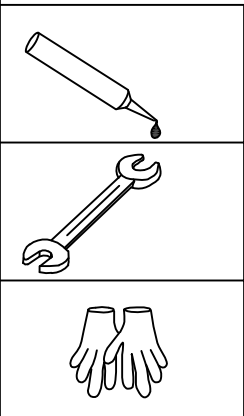
PART	NO	QTY
	L09C	2
	L09D	2
	L09E	2
	D25	4
	S26	36
	M5X12	
	S01	8
	M6X12	
	M07	8
	M6	
	Y6	14
	Y7	4








After the panels and windows are in position, put some silicone sealant around to avoid leaking water.

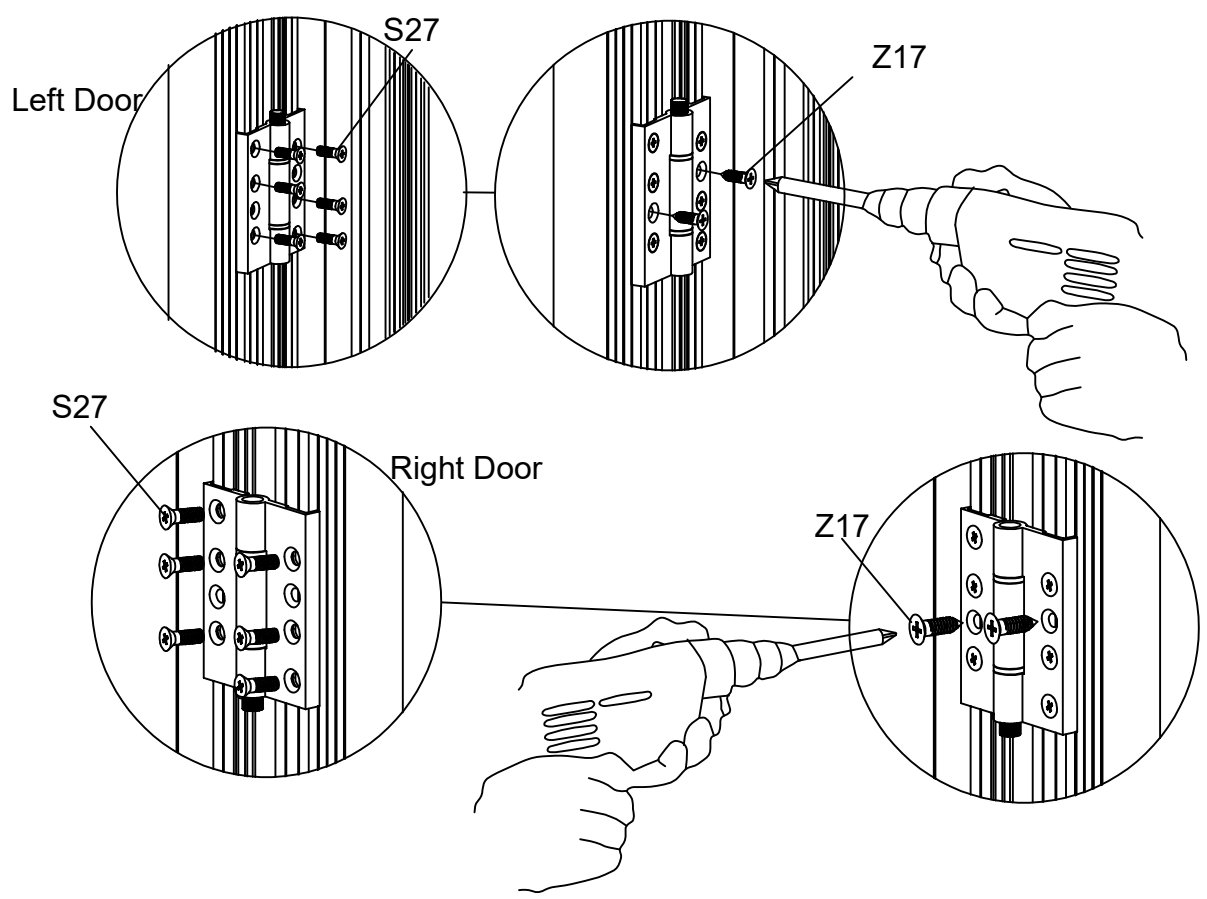
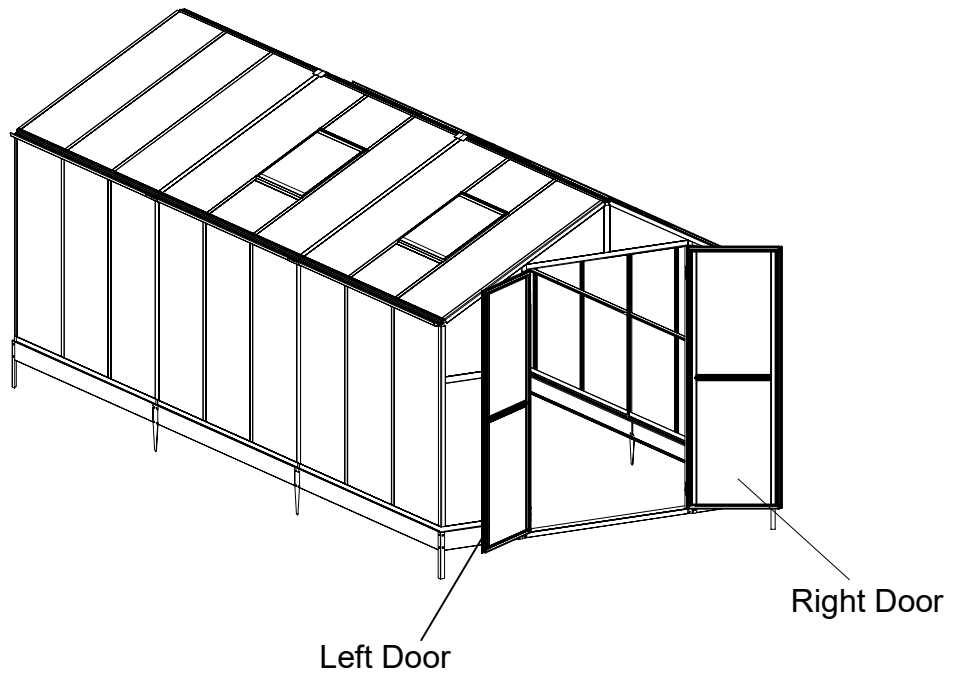


Slide 1*S01 into the bolt channel of both L09, fix D25 to L09 using S01 & M07.

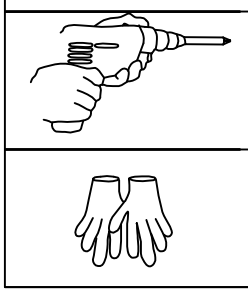


PART	NO	QTY
	D00R-L	1
	D00R-R	1
	A108	4
	Z17	8
	M4.8X16	
	S27	24
	M5X12	

Door Assembly

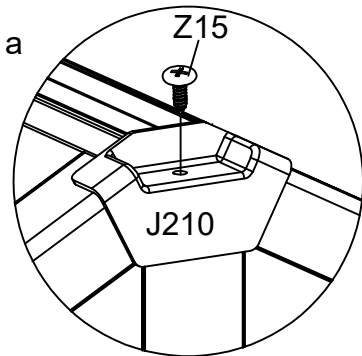
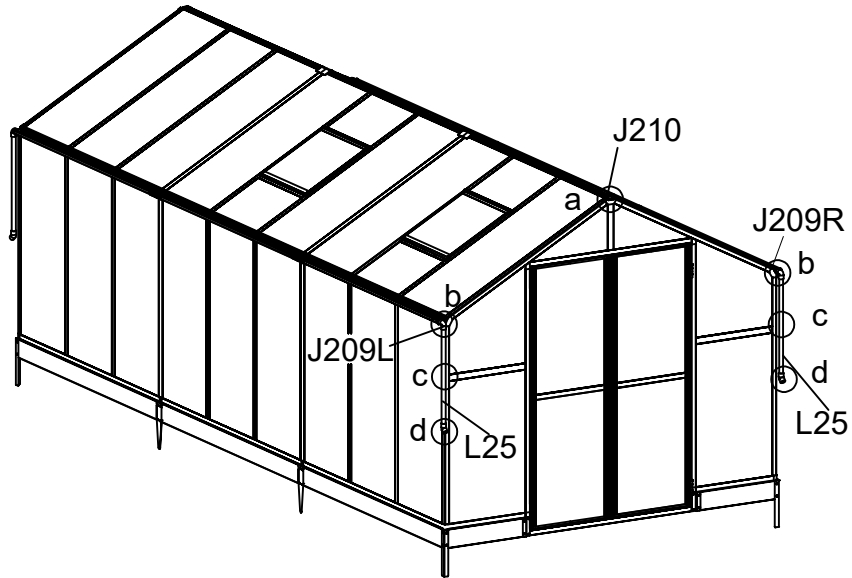


Fix A108(4 PCS) one side on the door profile and the other side to L02E/L02F using S27. Then secure with Z17.

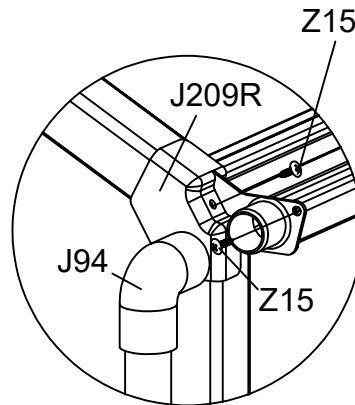
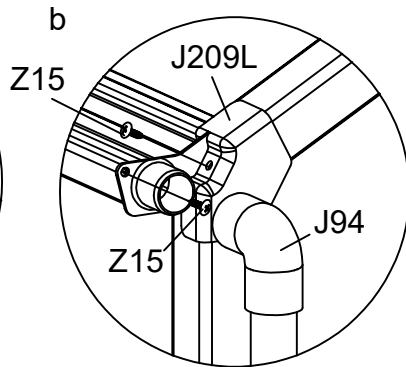


PART	NO	QTY
	J209R	2
	J209L	2
	J210	2
	J94	4
	L25	4
	J93	4
	J166	4
	Z08 M4.2X16	4
	Z15 Ø4X12D	10

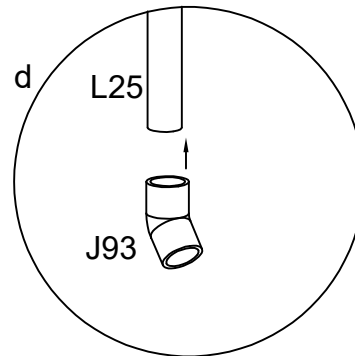
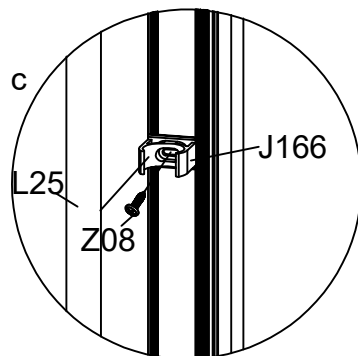
Accessories Assembly



Fix the cover caps J210 into the ridge profile



Fix the cover caps (J209L/R) carefully with Z15. Be careful to ensure that the screws are driven in straight and in the correct position (see detail drawings).



Drill a hole in L01A/L01B, approximately 3mm diameter and 400mm down from the gutter. Fix the J166 downpipe bracket with Z08 screws and then clip the L25 downpipe into the J166 bracket.

If you wish to eliminate leaks, use glue when fixing the downpipe bends (not provided).

