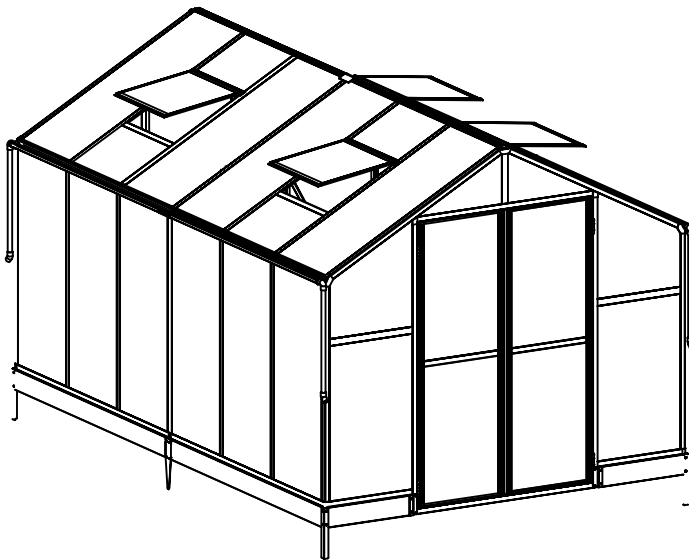


# Assembly Instructions

MODEL:AMB846

PRODUCT SIZE(LxWxH): 8X12

PLEASE READ CAREFULLY BEFORE ASSEMBLY



Greenhouse 8x12FT Assembly Instruction

SKU:

1007040096B(BOX 1)

1007040097B(BOX 2)

Arrive in 2 separate boxes and may not be part of the same shipment; Please install the product after receiving all the packages.

Email Address:[cs@howedirect.com](mailto:cs@howedirect.com)

Tel: 901-347-2181

Service Time: 8 am - 5 pm (central time) Monday- Friday.

If no one picks up, please call several more times

2024/4/22

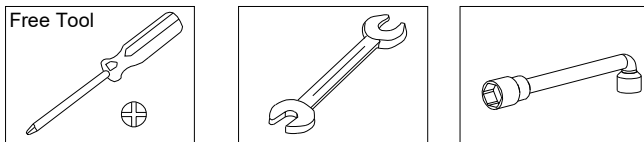
# CONTENTS

1. Assembly Advice .....	Page 1
2. Product Features .....	Page 2
3. Parts List .....	Page 3 -6
4. Door Assembly .....	Page 6 - 10
5. Roof Vent Assembly .....	Page 11 - 13
7. Base Assembly .....	Page 14-16
8. Framework & Glazing Assembly .....	Page 17 - 37

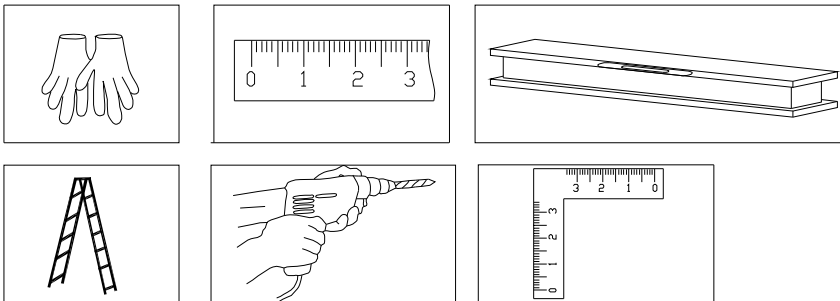
## Assembly and Maintenance Advice

1. For safety purposes, we strongly recommend that this product is assembled by at least two people.
2. Some components have sharp metal edges. Please be careful when handling metal components. Please wear gloves, shoes and safety goggles during assembly.
3. Lay all of the components on a soft carpet or blanket to avoid any scratches or damages.
4. DO NOT climb or stand on the roof. Heavy articles should not be leaned against the greenhouse.
5. Keep the roof and gutter clear of snow, dirt & leaves. Allowing snow to build up on the roof may damage the product.
6. Unlike steel, if the paint finish is scratched this will not harm the aluminium underneath.
7. When your product needs cleaning, use a mild detergent solution and rinse with cold clean water. Do not use acetone, abrasive cleaners or strong detergents to clean the panels.

### Tools Provided:



### Tools Required when Assembly (Not Provided)



### Assembly at least by two Persons

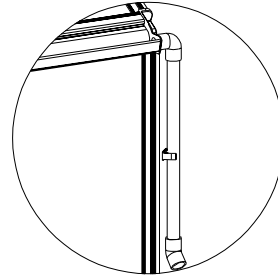


## Important:

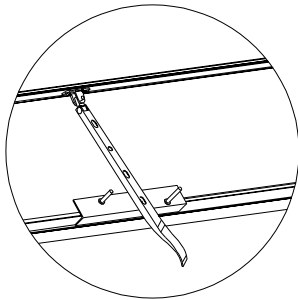
Rubber is not provided if you choose polycarbonate sheet as glazing panel.

## Functions and Features:

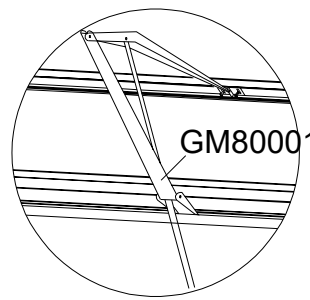
1. The strong two part eaves beam includes an integral gutter. Downpipes are also included as standard so you can collect rainwater.



2. Manual window handles are included as standard with the roof vents. If required, automatic roof vent openers are available as an inexpensive optional extra.



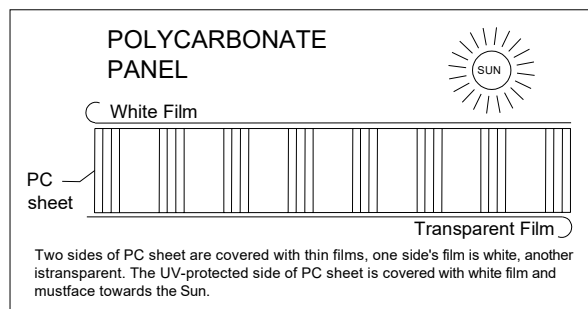
Manual Opener



Automatic Opener

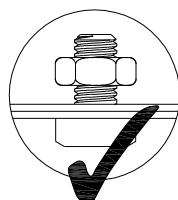
GM80001 is sold separately

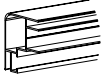
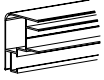



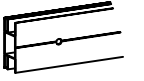
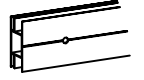
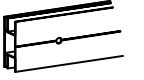
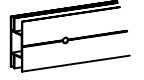
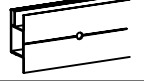


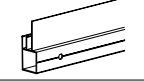

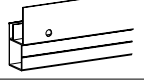
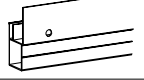
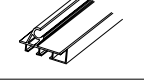
3. Remove approximately 2 inches of film from all sheet edges before installing and remove all film immediately after the construction is completed. Please ensure that the side with the white film faces outwards.


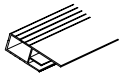
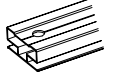
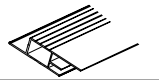
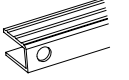
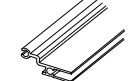







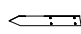

4. This quality greenhouse features self-tapping screws to provide strong joints. As the name suggests, the screws tap their own thread. Driving in self-tapping screws requires more force than conventional screws. A powered screwdriver is therefore recommended.

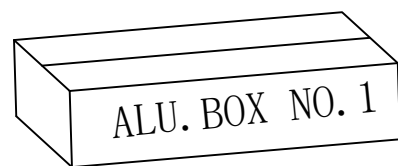
5. Nuts not to be tightened before the end of assembly! Unless otherwise stated, do not tighten the bolts/nuts/screws until the shed is finally erected!




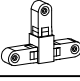
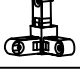
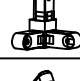

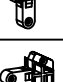













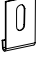



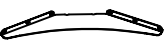
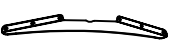


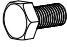


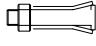






	PART	NO	QTY
1	 1288mm	L01A	2
		L01D	2
		L01E	2
2	 1288mm	L01B	1
3		L01C	1
4	 1288mm	L02A	8
5		L02A	8
6	 547mm	L02E	4
7	 1288mm	L03A	2
		L03B	2
8	 1564mm	L04A	2
9		L04B	3
10	 547MM	L04B	3
11	 C:1160 E:1564	L04C	1
		L04E	1
12	 301MM	L04D	2
13	 A&B:1684 C:1160	L05A	1
		L05B	1
		L05C	1
14	 1739mm	L06C	2
15	 1739mm	L07C	4
		16	 1739mm
17	 1749mm		
		L09D	2
18	 A:1222 B:1160	L10A	1
		L10B	1
19	 C:570 D:558	L10C	2
		L10D	2
20	 570mm	L12A	4

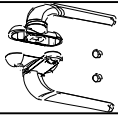
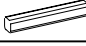

	PART	NO	QTY
21	 557mm	L15A	4
		22	 1680mm
23	 494mm		
24	 1680mm	L18A	1
		L18B	1
25	 500mm	L19	8
		26	 570mm
L21	4		
27	 1738mm	L23C	8
		28	 1067mm
29	 650mm		

PART	NO	QTY
	A1	2
	C1	4
	D1	2
A1:588 C1:1778 D1:1199	D1	2
	D306	4
	D307	3
	D361	2

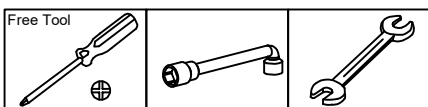




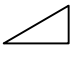
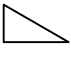






PART	NO	QTY
	J93	4
	J94	4
	J166	4
	J201	4
	J202L	2
	J202R	2
	J203	4
	J204R	2
	J204L	2
	J205	2
	J206	20
	J207	2
	J208	1
	J209R	2
	J209L	2
	J210	2

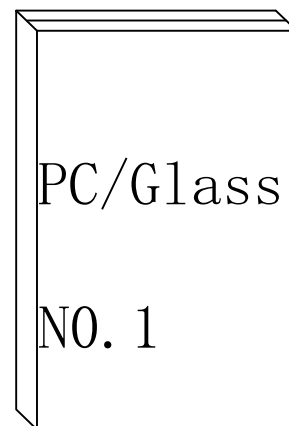
PART	NO	QTY
	A01	4
	A03	4
	A108	4
	D05	20
	D25	2
	D26	1
	D114	16
	D362	1
	D363	2
	D364	16
	H40	20
	S01 M6X12	170+5
	S26 M6X12	4
	S28 M4X10	8
	S69 M6X60	16
	M01 M6	170+5
	M02 M4	8
	M07 M6	4
	Z08 M4.2X16	8
	Z15 Ø4X12D	136+4
	Z17 M4.8X16	8

PART	NO	QTY
	H152	1
	D47-2	1
	S81 M4X25	2

Tools Provided:



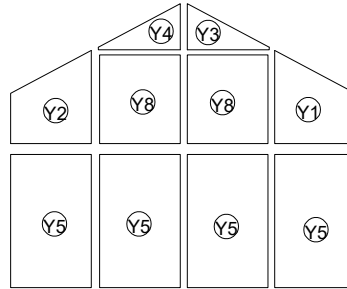
PART	NO	QTY
	Y1	2
656X568mm		
	Y2	2
656X568mm		
	Y3	2
324X577mm		
	Y4	2
324X577mm		
	Y5	6
939X568mm		
	Y6	20
1308X568mm		
	Y7	8
387X568mm		
	Y8	2
623X568mm		
	Y10	4
474X568mm		
	Y11	4
832X514mm		



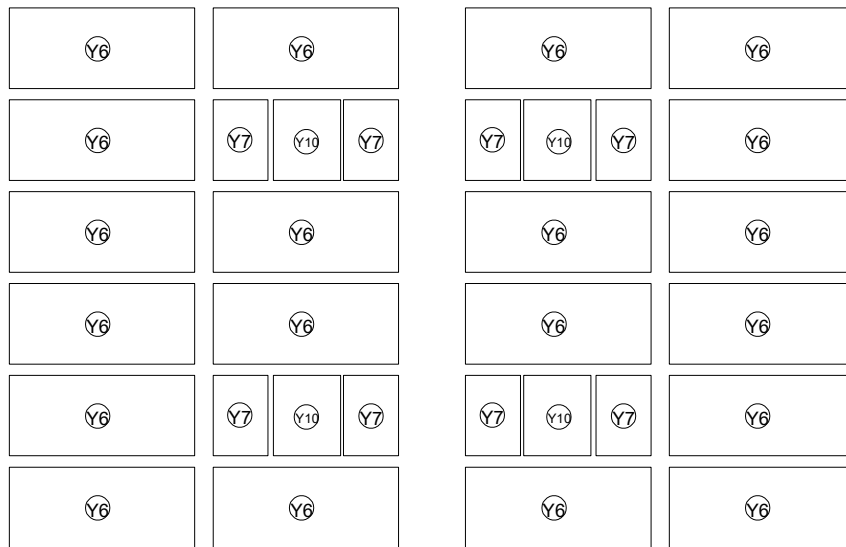
PART	NO	QTY
	Y1	2
	Y2	2
	Y3	2
	Y4	2
	Y5	6
	Y6	20
	Y7	8
	Y8	2
	Y10	4
	Y11	4

# Panel Exploded View

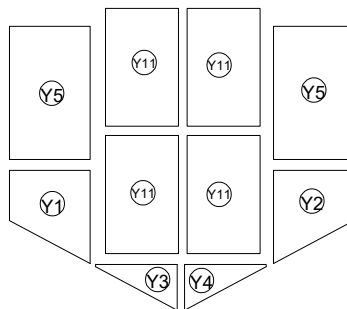
## Back Wall



## Side Wall


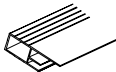
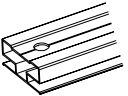
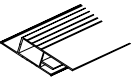




## Side Wall

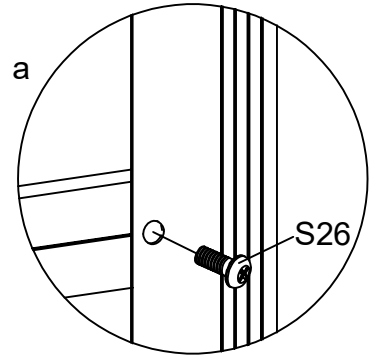
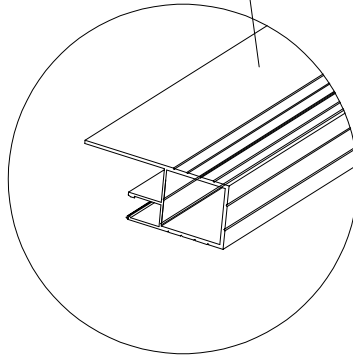
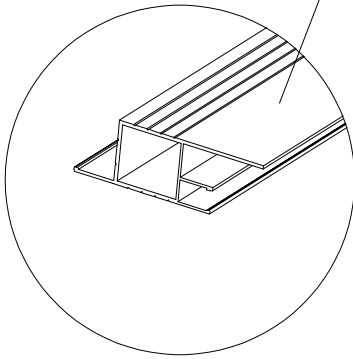
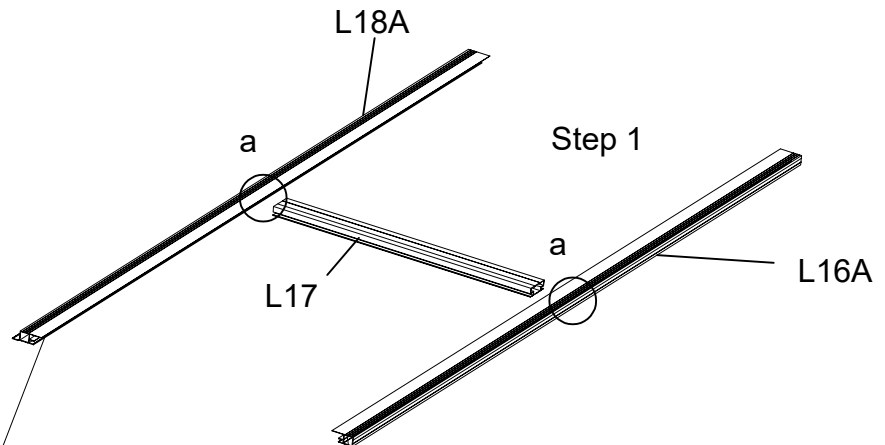


## Front Wall

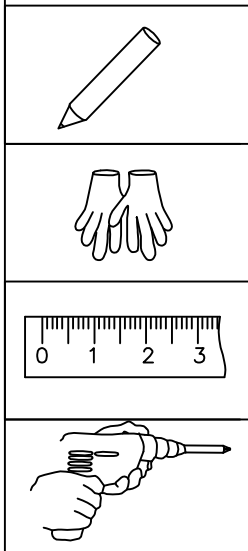
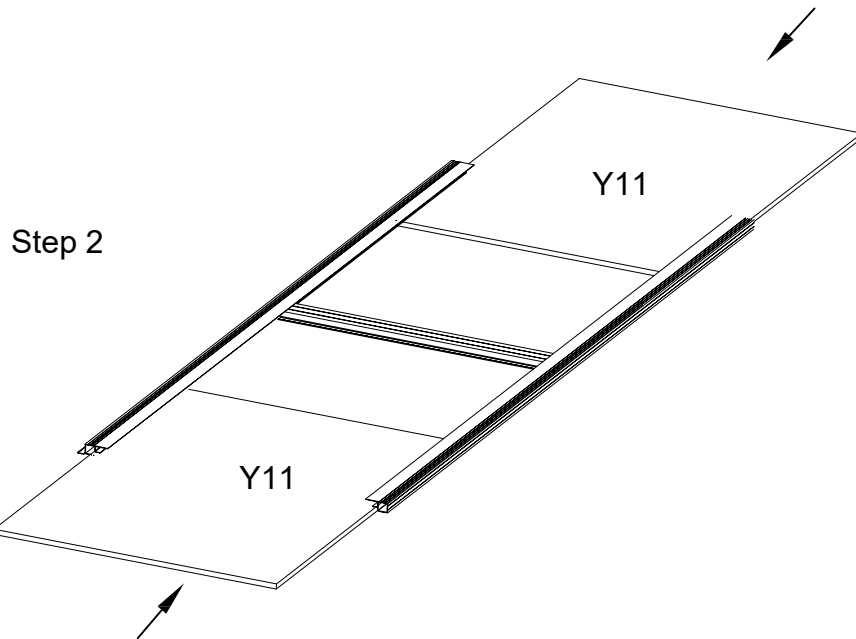


PART	NO	QTY
	L15A	2
	L16A	1
	L17	1
	L18A	1
	S26 M5X12	10
	Y11	2

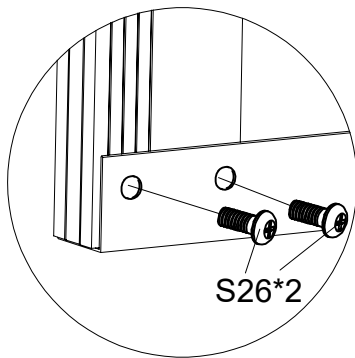
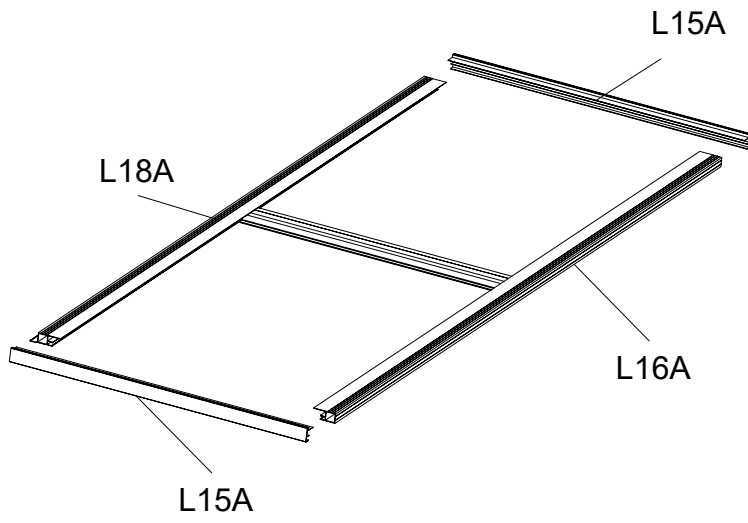
# Left Door


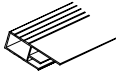
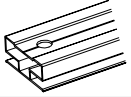
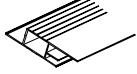
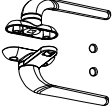


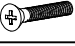



! Attention: Check the direction of the accessories

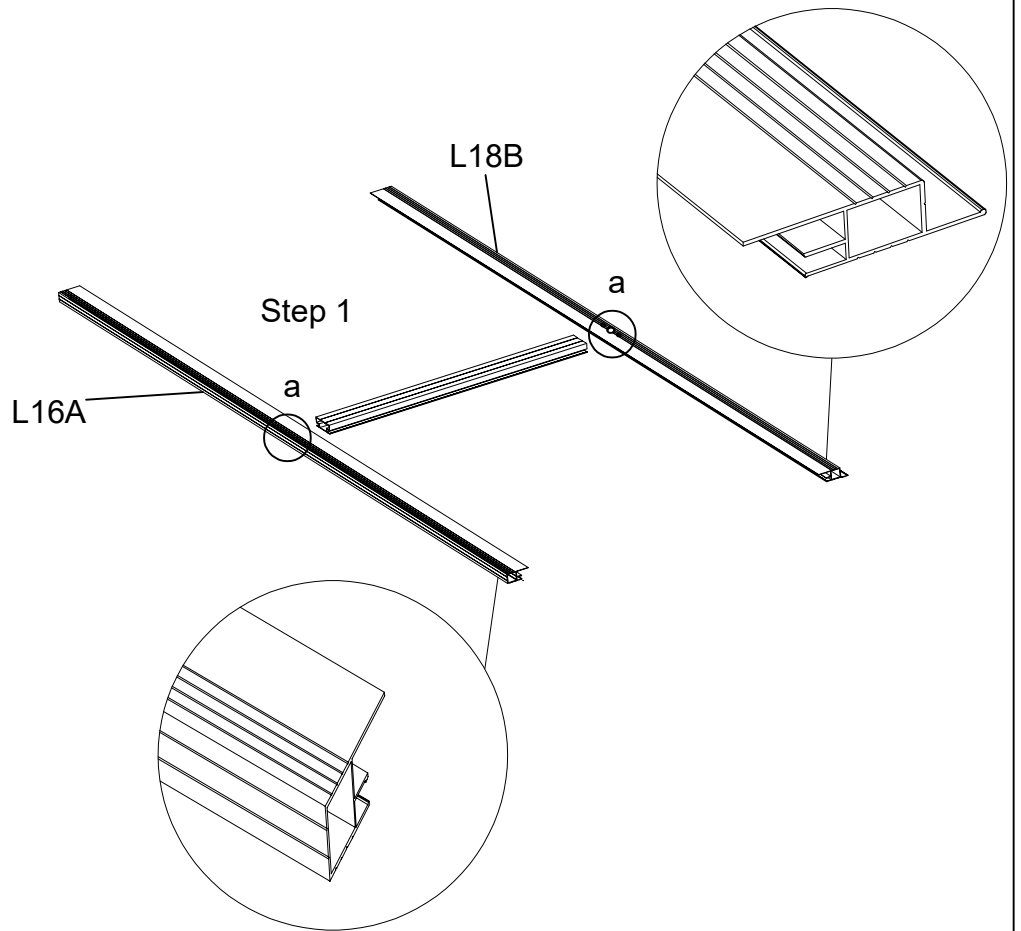


! Attention: Remove the protective films from both sides of each polycarbonate panel, before inserting into aluminum channels. Ensure the milky white film faces towards the Sun.

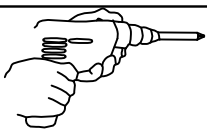
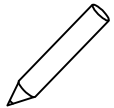
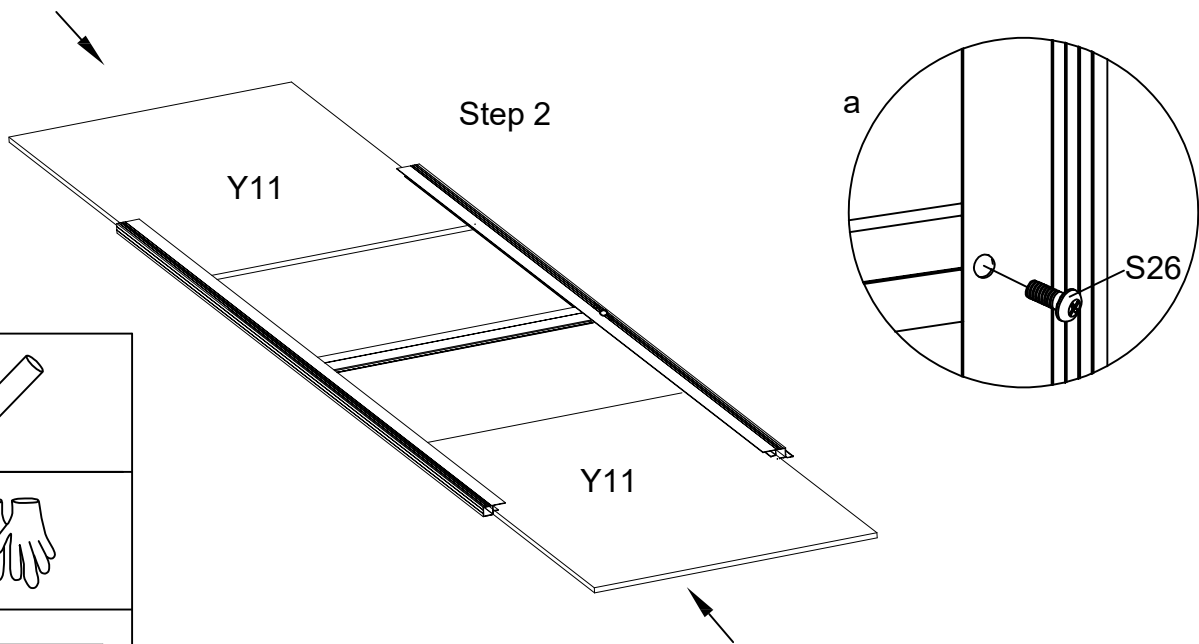


PART	NO	QTY
	L15A	2
	L16A	1
	L17	1
	L18B	1
	H152	1
	D47-2	1
	S26 M5X12	10
	S81 M4X25	2
	Y11	2

# Right Door

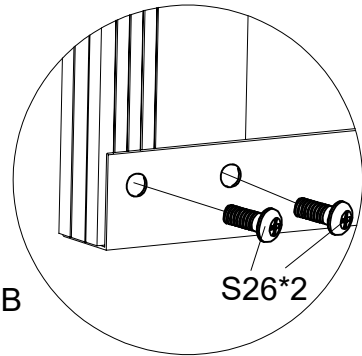
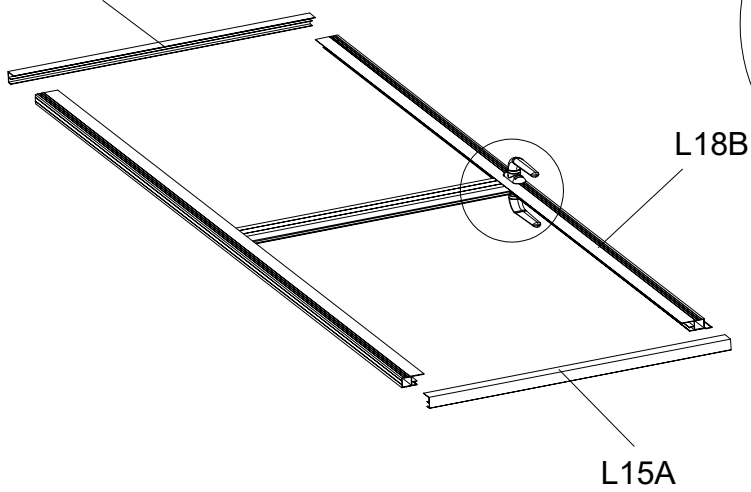


! Attention: Check the direction of the accessories



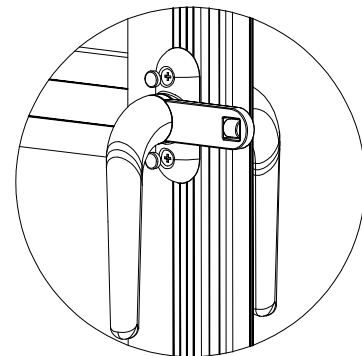
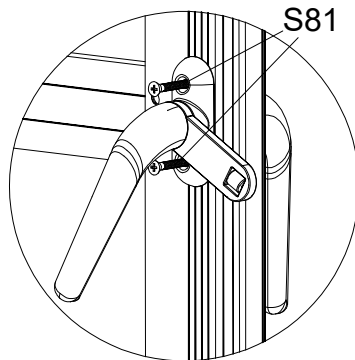
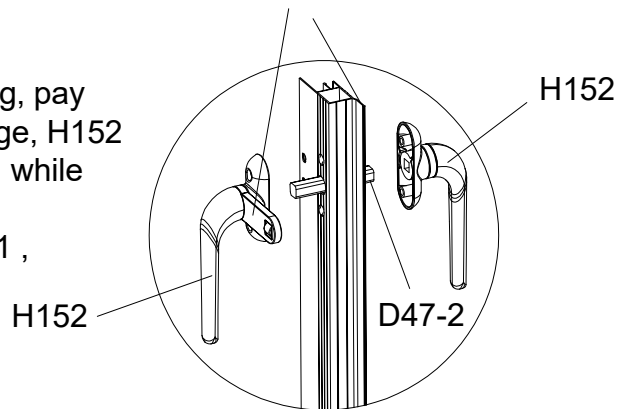
! Attention: Remove the protective films from both sides of each polycarbonate panel, before inserting into aluminum channels. Ensure the milky white film faces towards the Sun.

L15A

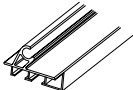
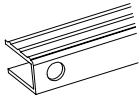
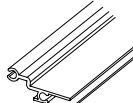
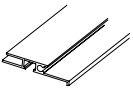







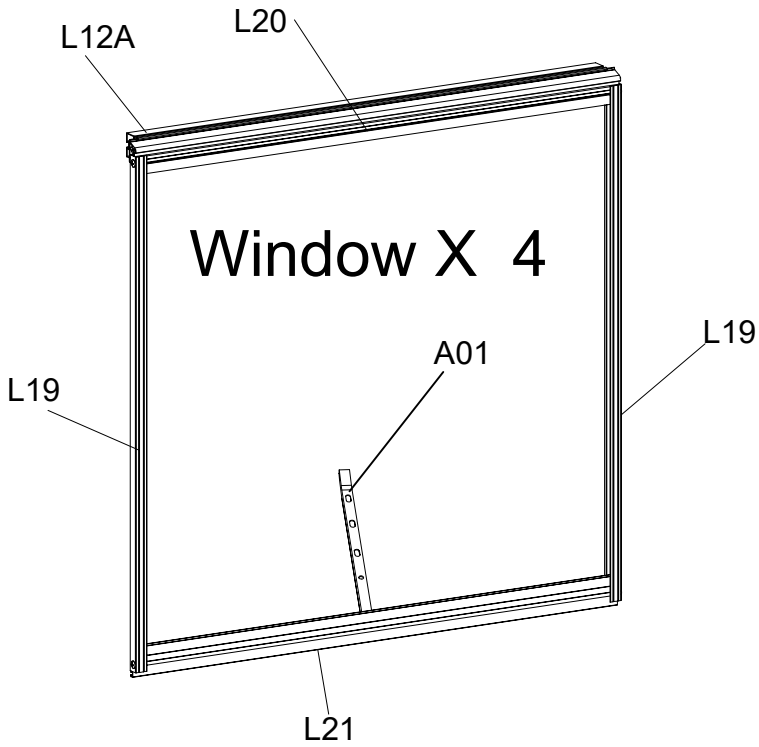
Pay attention to the installation direction

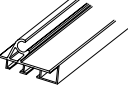
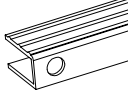
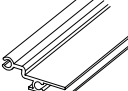
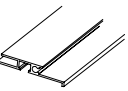
Install H152 after installing the door, when installing, pay attention to the H152 long end toward the door edge, H152 square hole aligned with the square column D47-1 while inserting, placed in the right position and then fixed with S81 , and finally installed on the decorative cover

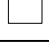






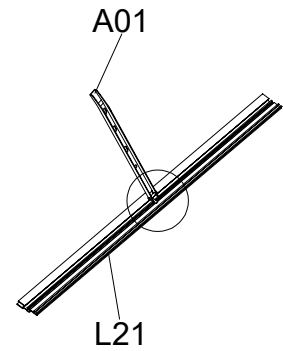
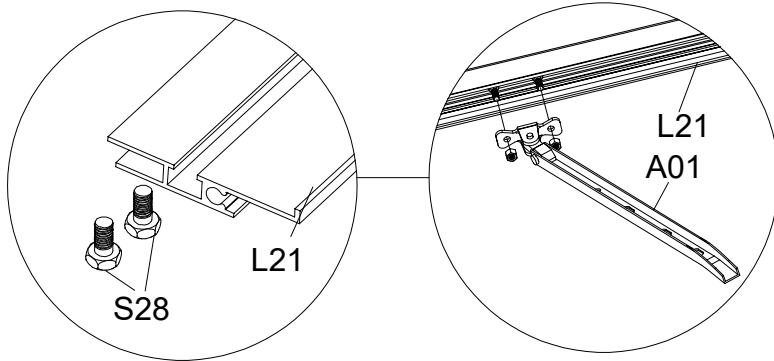
# Exploded View

PART	NO.	QTY.
	L12A	4
	L19	8
	L20	4
	L21	4
	Y10	4
	A01	4
	Z15 Ø4X12D	24
	S28 M4X10	8
	M02 M4	8



PART	NO.	QTY.
	L12A	1
	L19	2
	L20	1
	L21	1

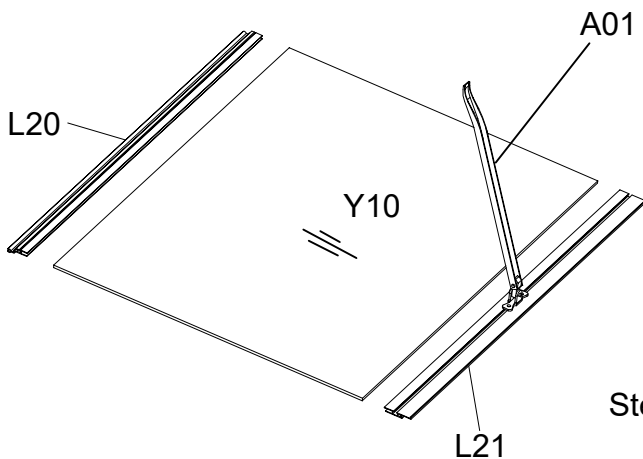
Part	NO.	QTY.
	Y10	1
	A01	1
	Z15 Ø4X12D	6
	S28 M4X10	2
	M02 M4	2



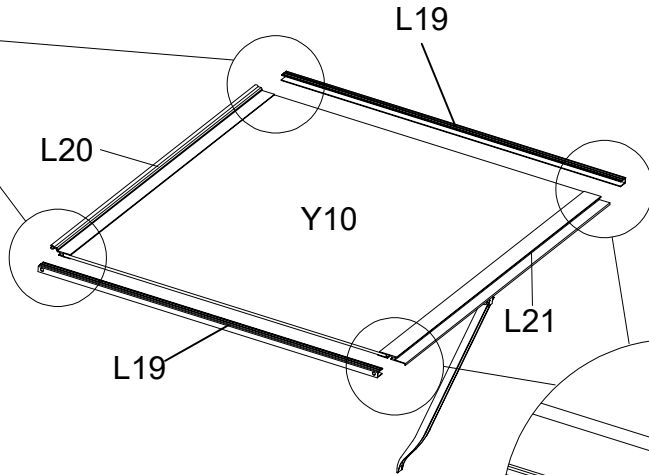
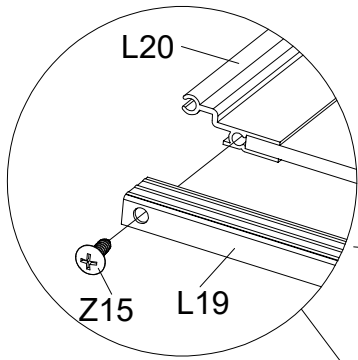
Step 1



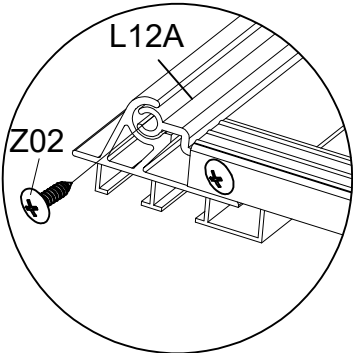
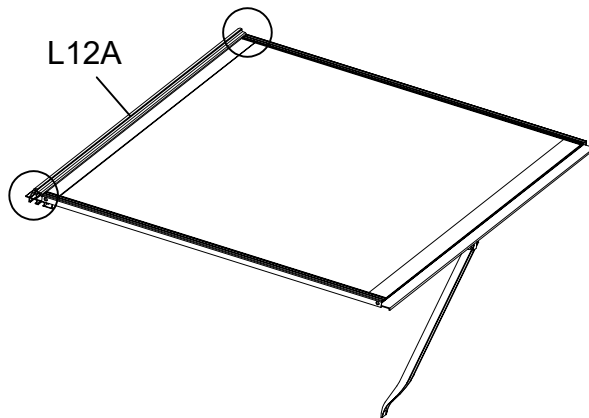
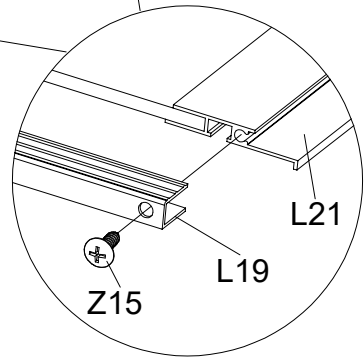
! Attention: Remove the protective films from both sides of each polycarbonate panel, before inserting into aluminum channels. Ensure the milky white film faces towards the Sun.




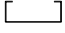
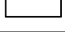
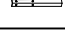
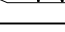


Step 2



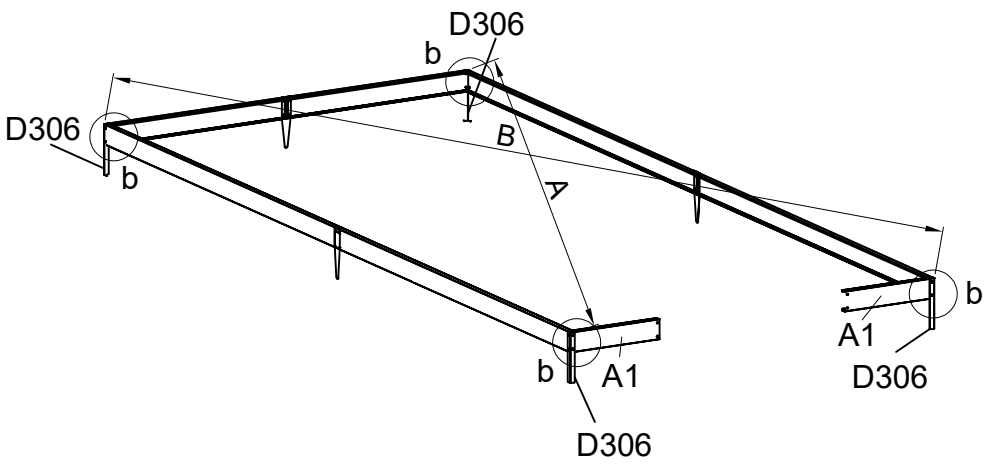
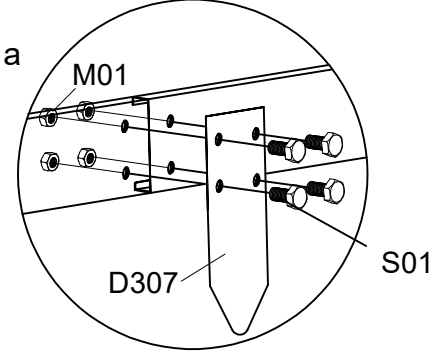
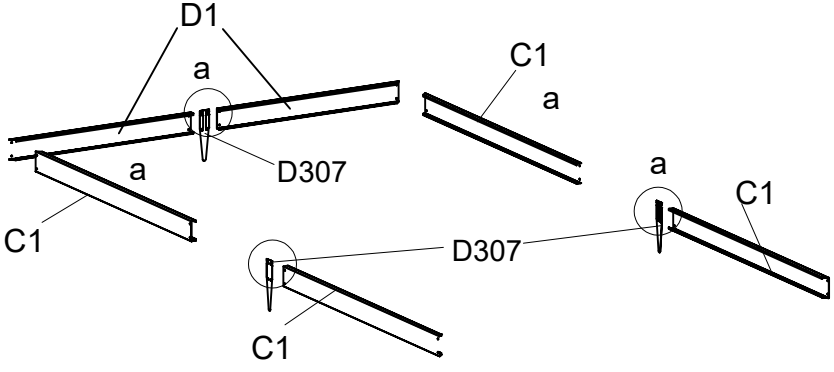
Step 3



Four windows are standard

PART	NO	QTY
	A1	2
	C1	4
	D1	2
	D306	4
	D307	3
	S01	28
	M6X12	
	M01	28
	M6	

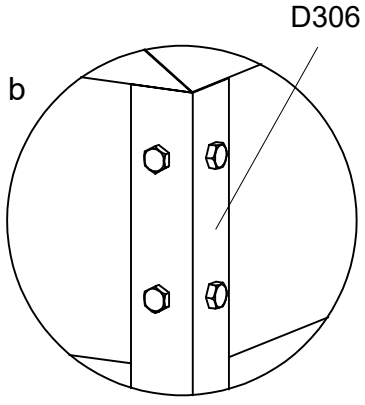
# Base Assembly



Attention! D306 and D307 must be inserted into the soil or installed in reverse!

Ⓐ = Ⓑ

Fix the base before assembly the greenhouse. This is the way to fix the base.

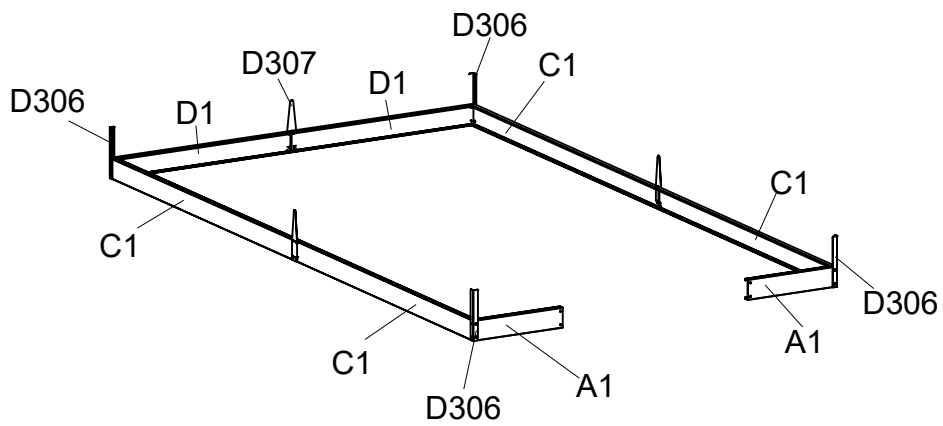






# Base Assembly

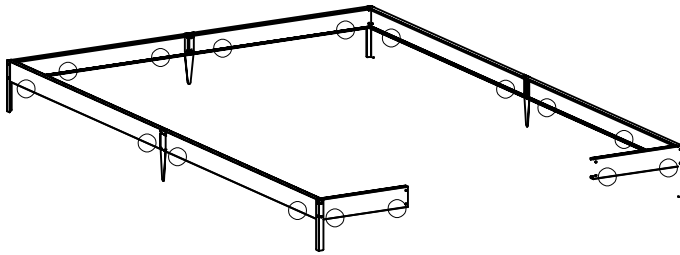


! Attention: Turn over the steel plinths D306 & D308 to complete the base installation as shown below, when the greenhouse is NOT inserted and secured into the soft soil.

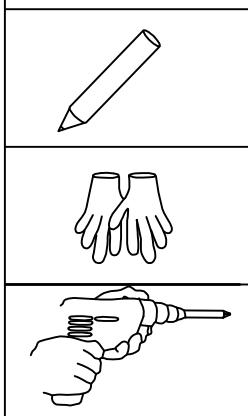
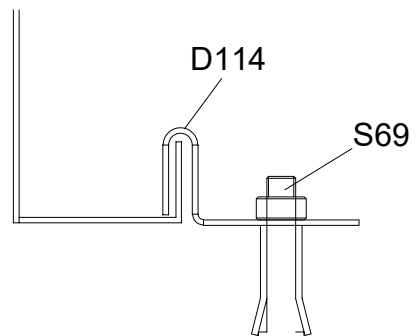
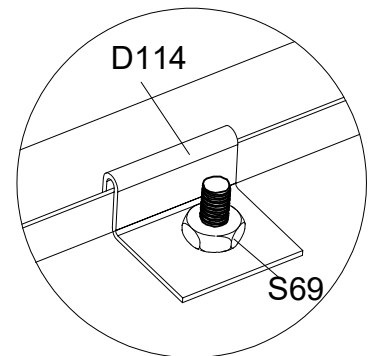
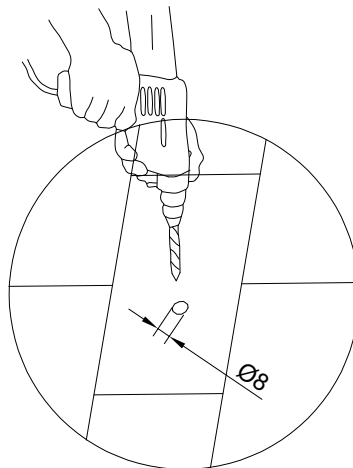
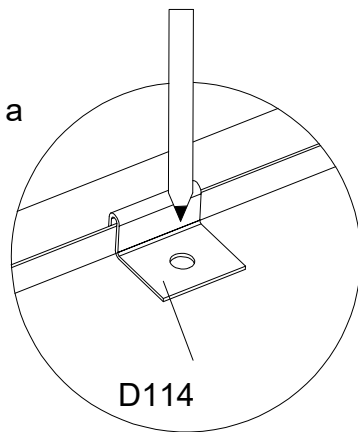
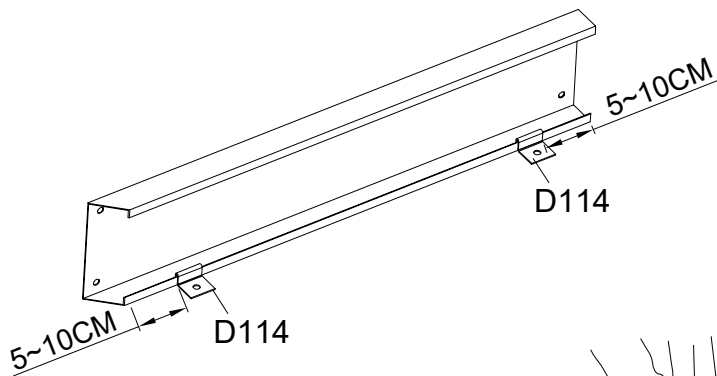


PART	NO	QTY
	D114	16
	S69 M6X60	16

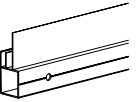
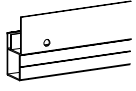
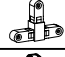
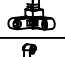
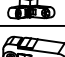




# Base Assembly

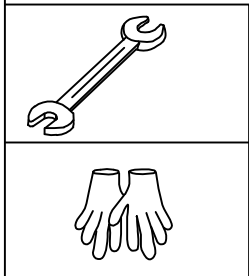
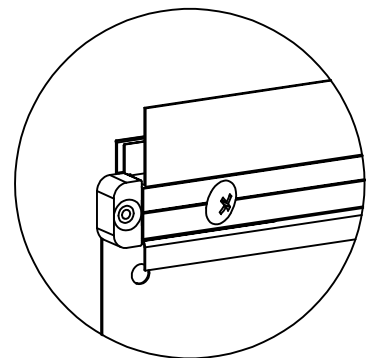
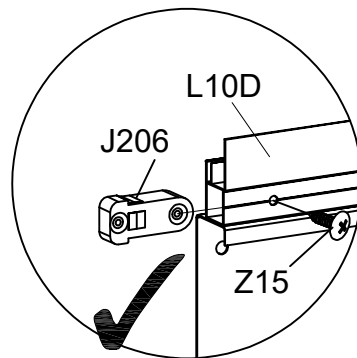
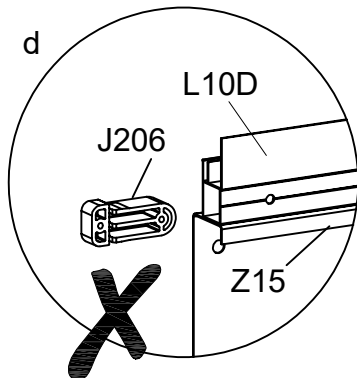
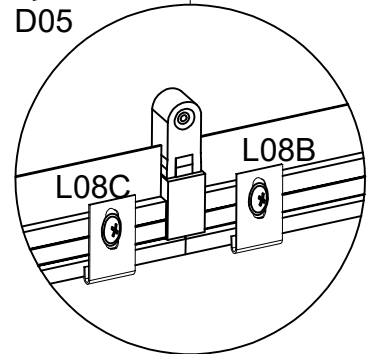
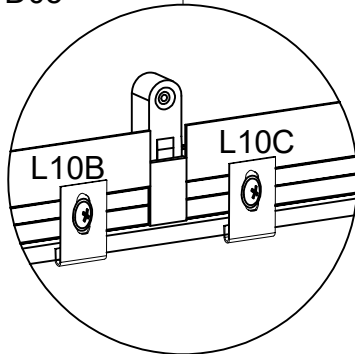
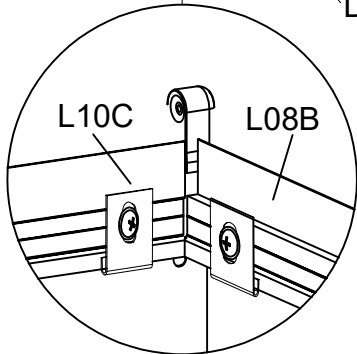
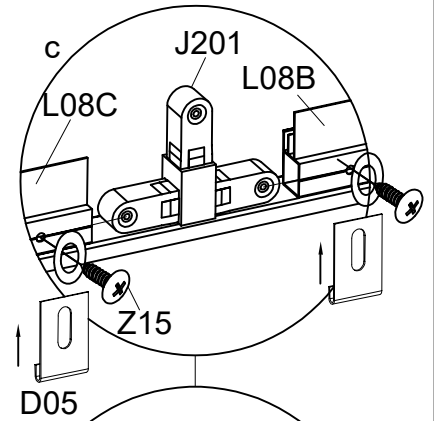
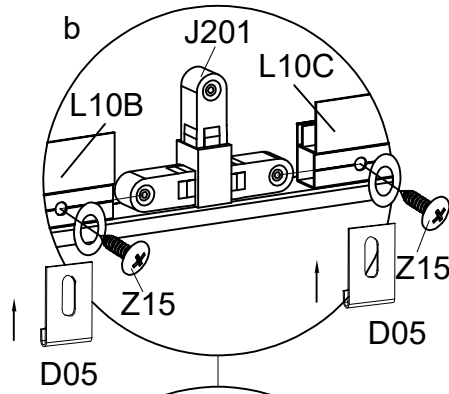
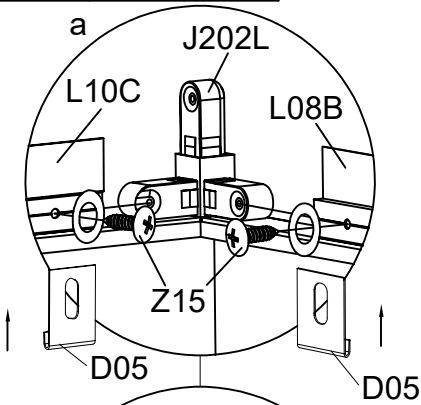
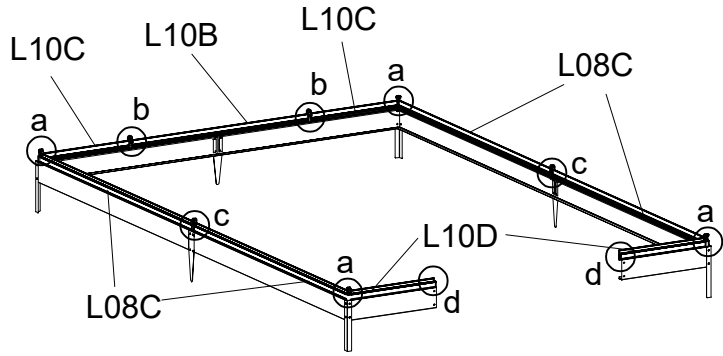


1. Fix the base anchor clip D114 onto each base section with a distance of 5~10CM from each end.
2. Mark the middle of the D114 hole to drill the  $\varnothing 8$  hole, then use S69 to fix the D144 to the ground

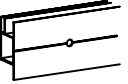
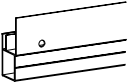
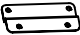

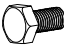





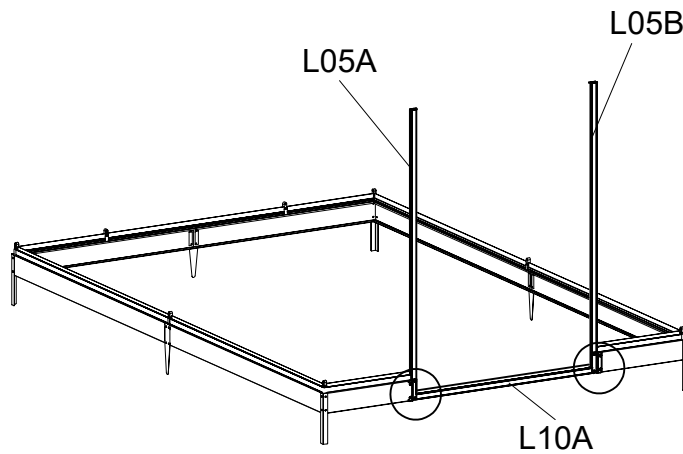
# Wall Assembly

PART	NO	QTY
	L08C	4
	L10B	1
	L10C	2
	L10D	2
	J201	6
	J202L	2
	J202R	2
	J206	2
	D05	20
	H40	20
	Z15	20
	Ø4X12D	

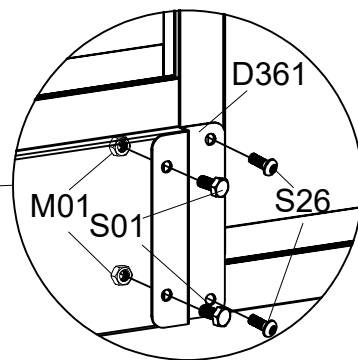
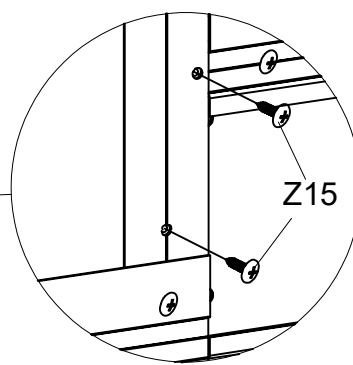
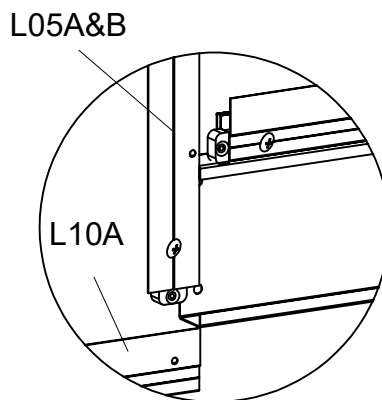
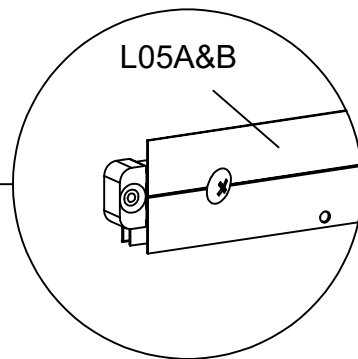
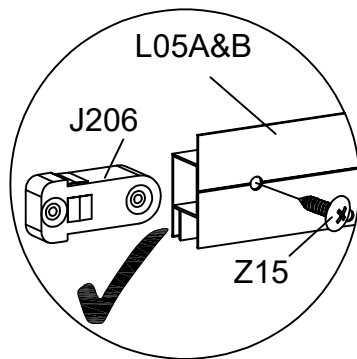
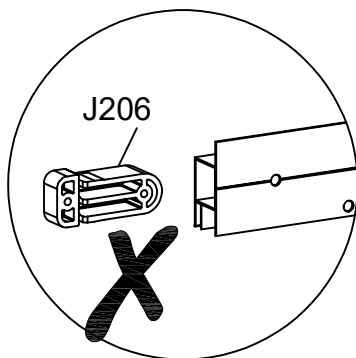


# Wall Assembly


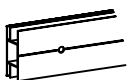


PART	NO	QTY
	L05A	1
	L05B	1
	L10A	1
	D361	2
	J206	2
	S01	4
	M6X10	
	M01	4
	M6	
	S26	4
	M6X12	
	Z15	6
	Ø4X12D	

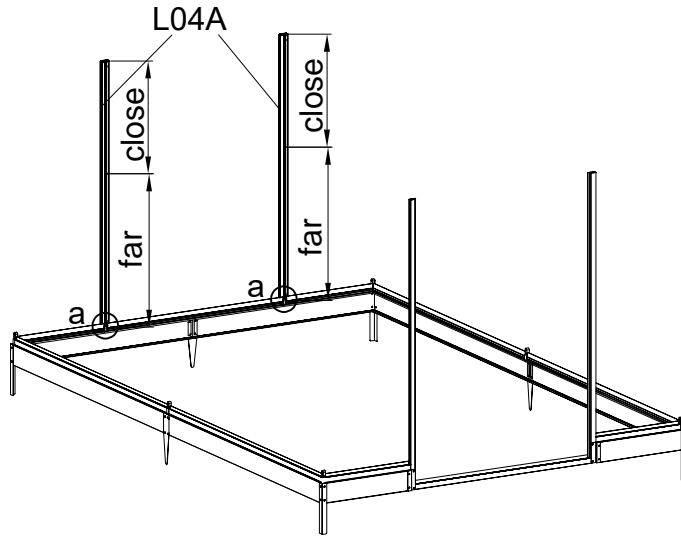


Note: Install L05A&B with two holes facing down. Fix J206 with Z15, ensuring correct orientation

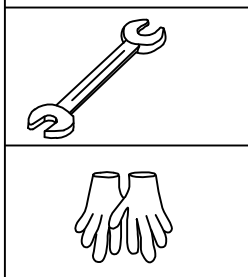
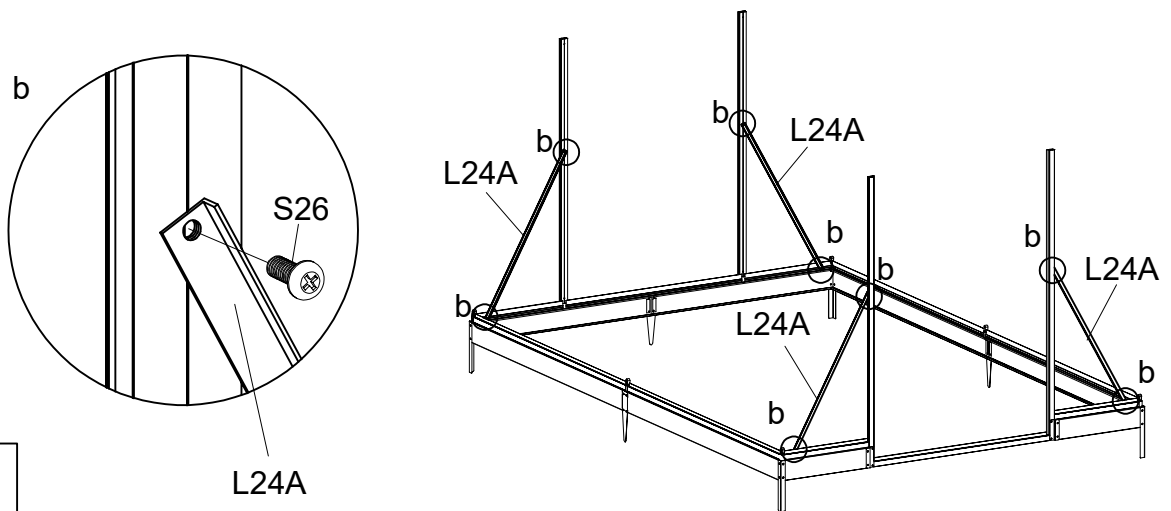
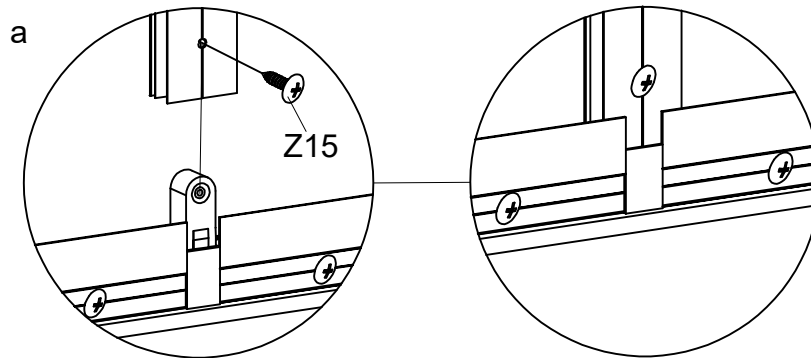


# Wall Assembly

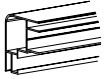



PART	NO	QTY
	L24A	4
	L04A	2
	Z15 Ø4X12D	2
	S26 M6X12	8

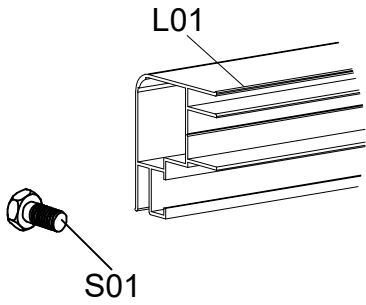
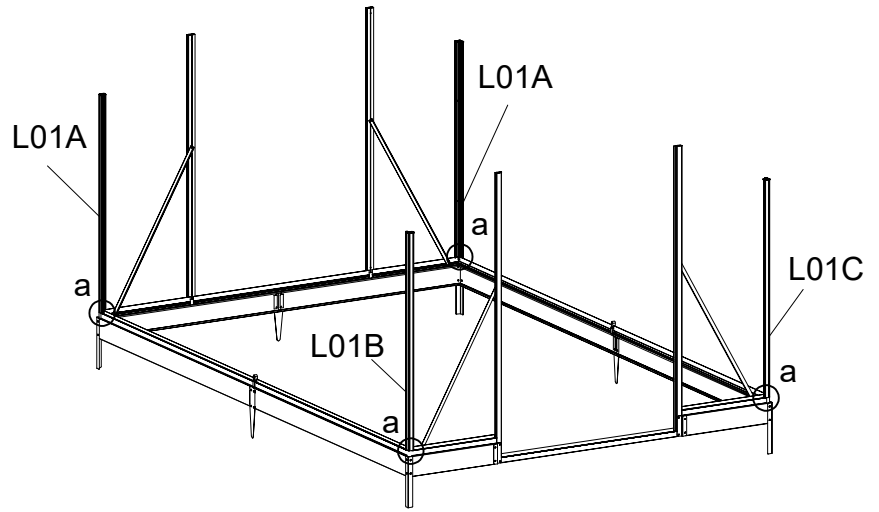


Note: If the center hole of L04A is closer to the top, it means the installation direction is correct.

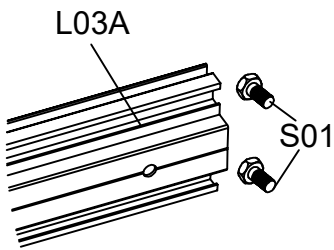


# Wall Assembly

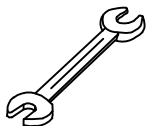
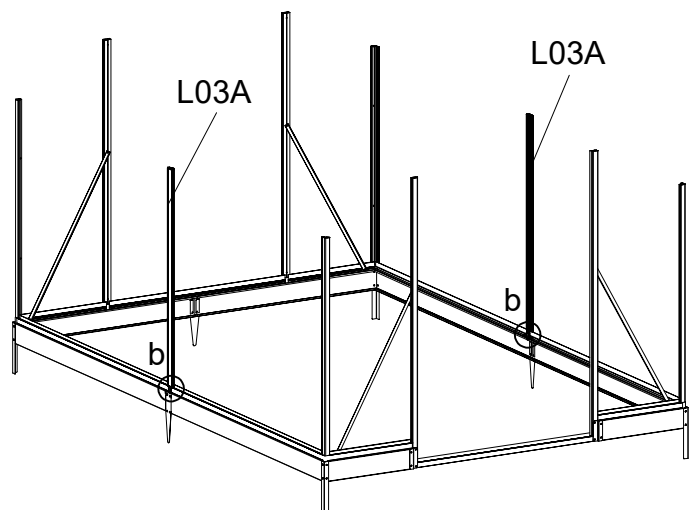
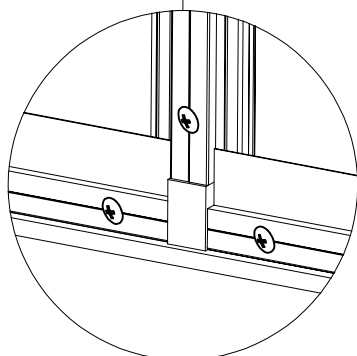
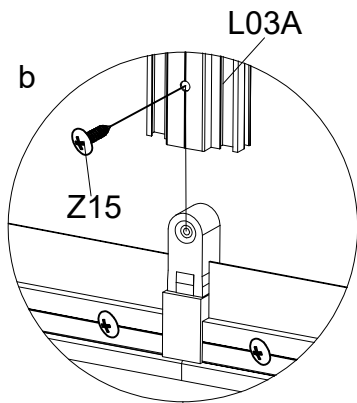
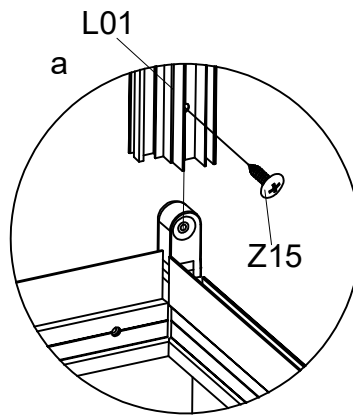
PART	NO	QTY
	L01A	2
	L01B	1
	L01C	1
	L03A	2
	Z15 Ø4X12D	12
	S01 M6X10	12





Insert the S01 screw into the side slot of the L01.

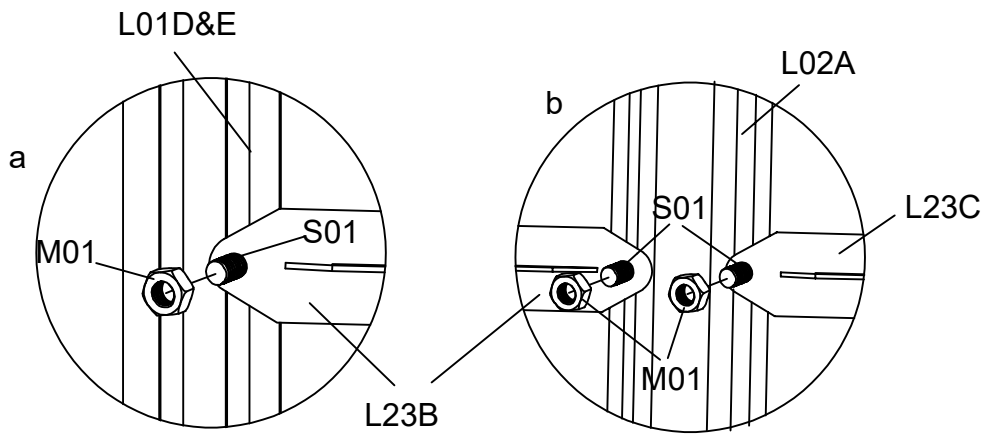
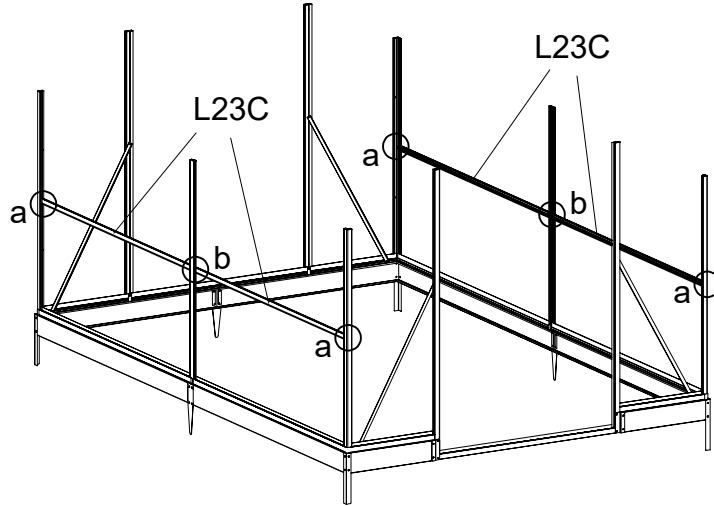


Insert the S01 screw into the two side slot of the L03 respectively.

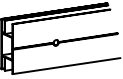




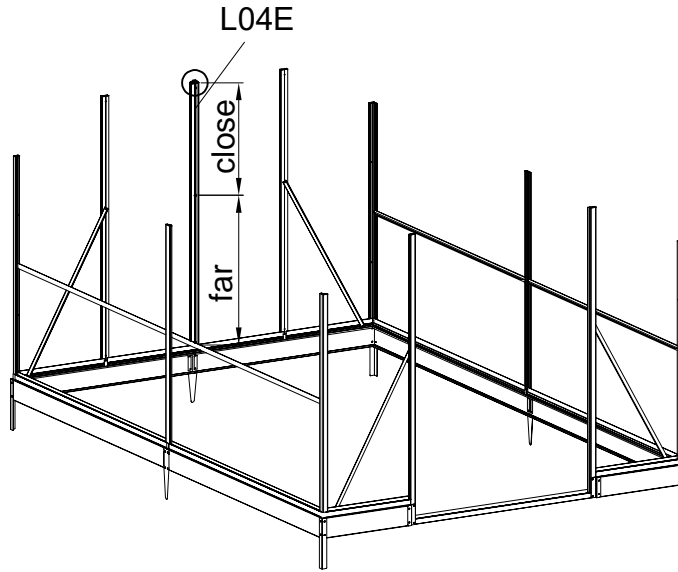
# Wall Assembly

PART	NO	QTY
	L23C	4
	M01 M6	8

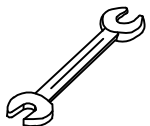
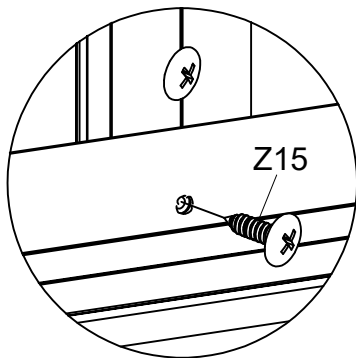
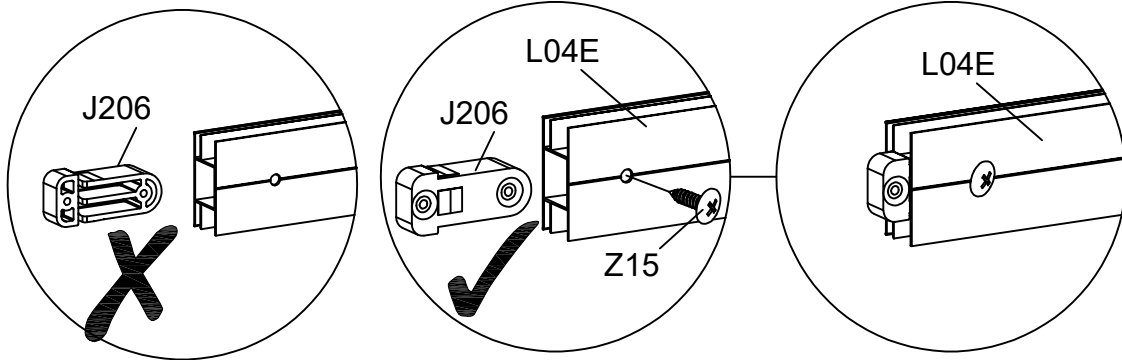


# Wall Assembly

PART	NO	QTY
	L04E	1
	J206	2
	Z15 Ø4X12D	3







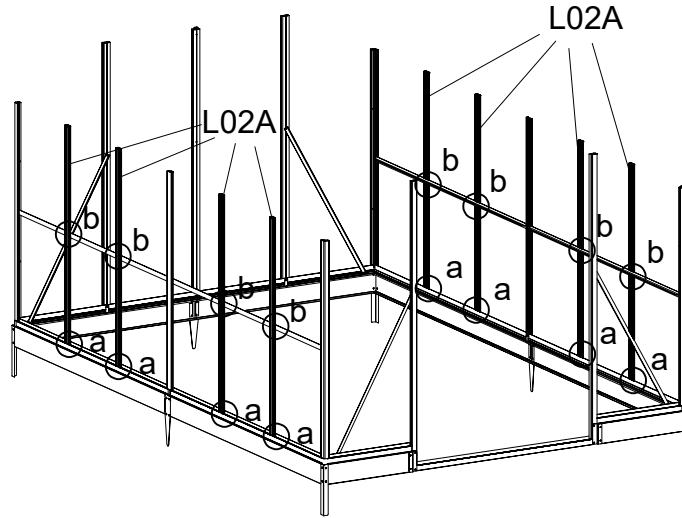
Both ends of L04E must use Z15 to secure J206, the center hole of L04E is closer to the top, and pay attention to the direction of J206 when installing.



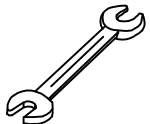
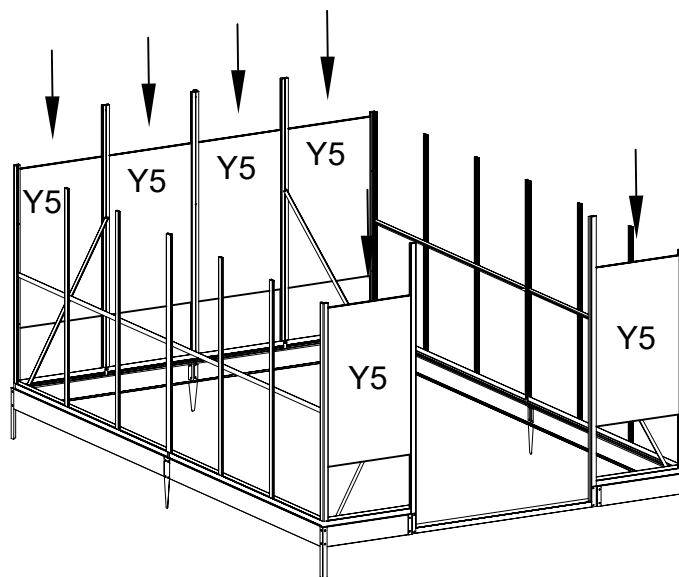
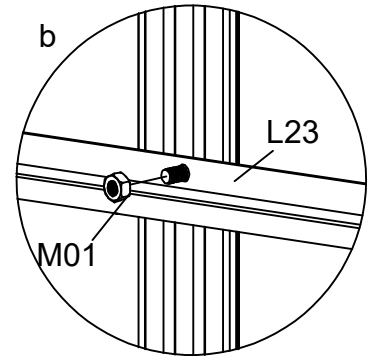
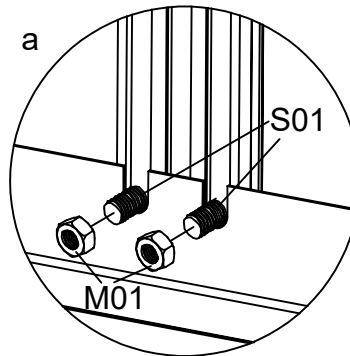
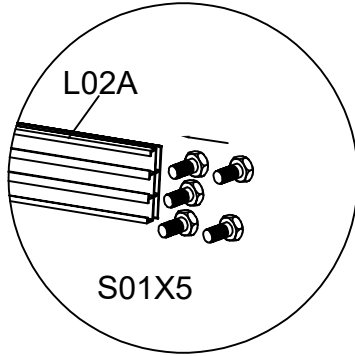
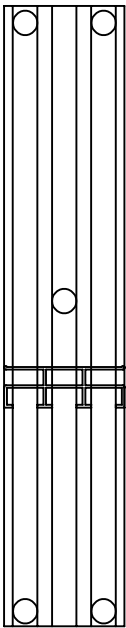


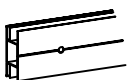



# Wall Assembly

PART	NO	QTY
	L02A	8
	S01 M6X10	40
	M01 M6	24
	Y5	6



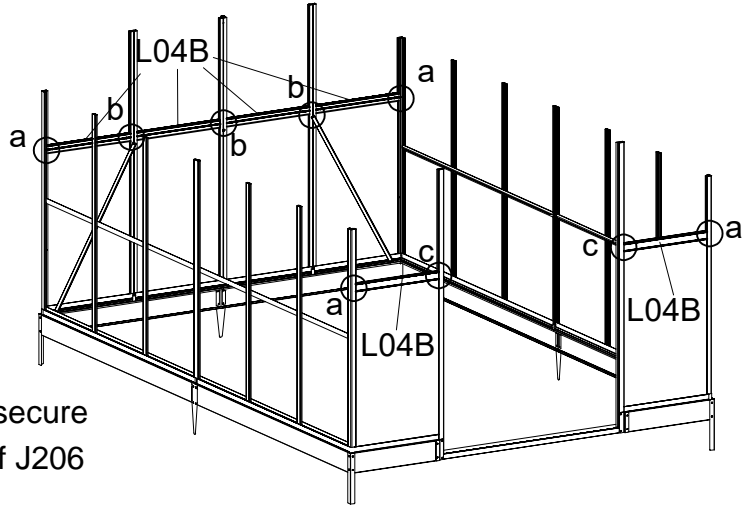
Slide in 5 S01 screws to L02A with 2 slots at each end and 1 screws in the middle, as shown on the left picture.



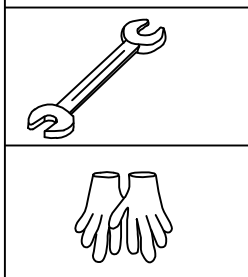
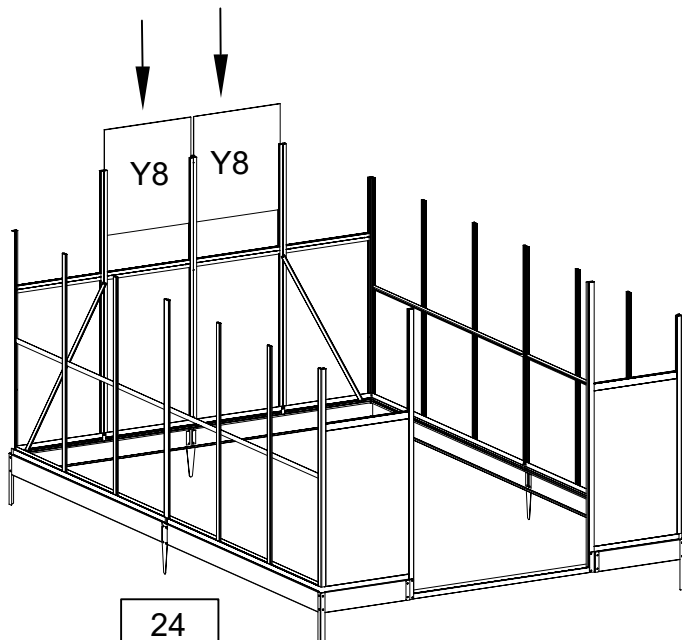
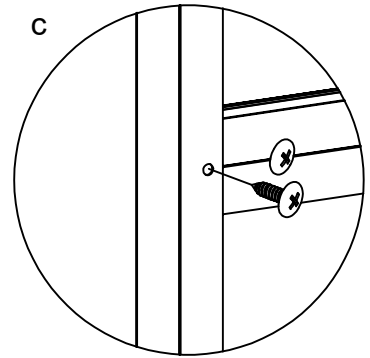
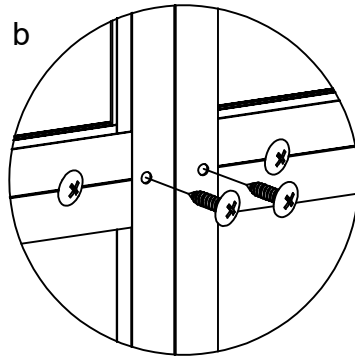
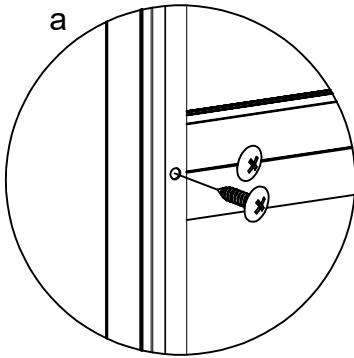
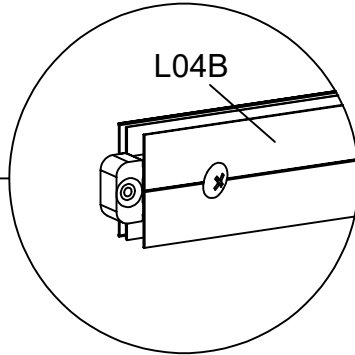
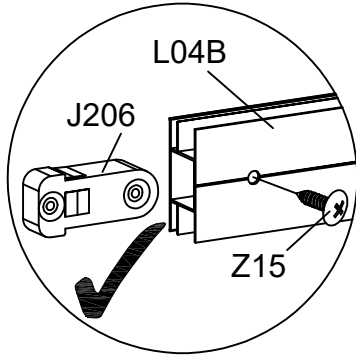
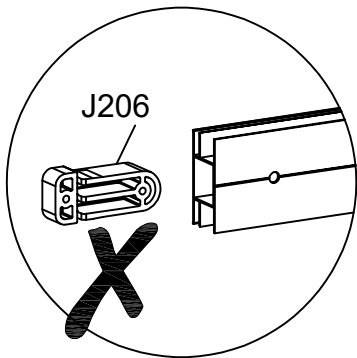
PART	NO	QTY
	L04B	6
	J206	12
	Z15 Ø4X12D	24
	Y8	2

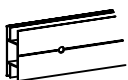
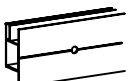



Put the panels into positions

# Wall Assembly

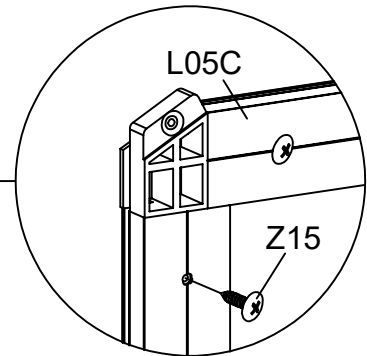
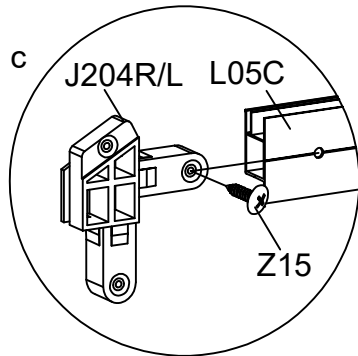
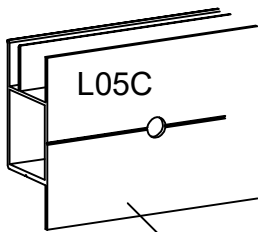
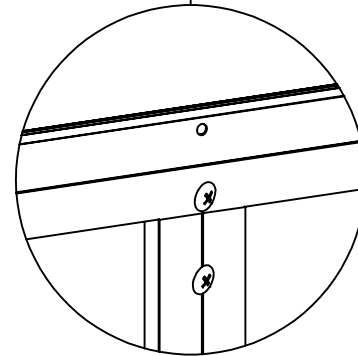
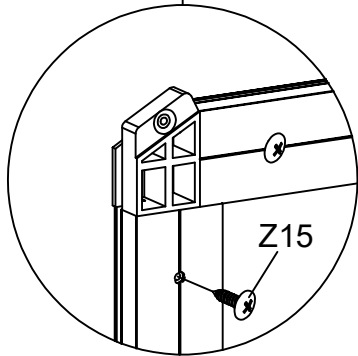
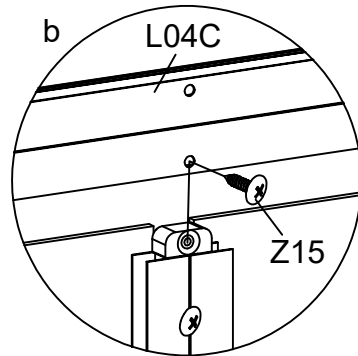
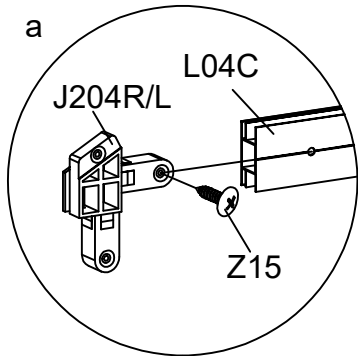
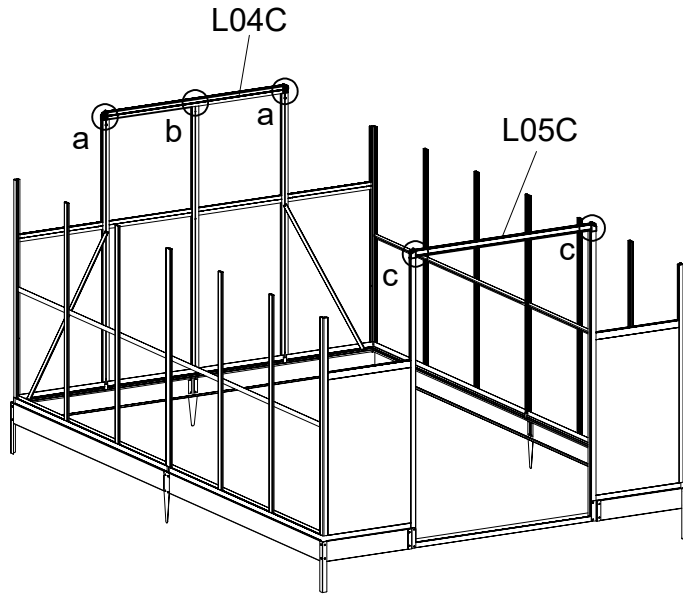


Both ends of L04E must use Z15 to secure J206, pay attention to the direction of J206 when installing.

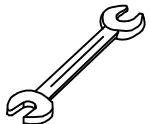


PART	NO	QTY
	L04C	1
	L05C	1
	J204R	2
	J204L	2
	Z15 Ø4X12D	9

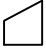


# Wall Assembly

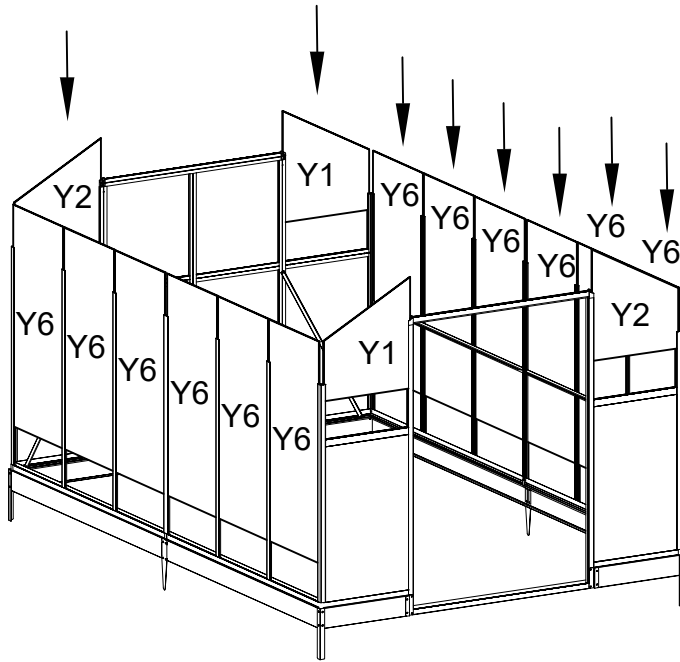







Note: The side of the L05C part without a solar panel slot should face downwards.



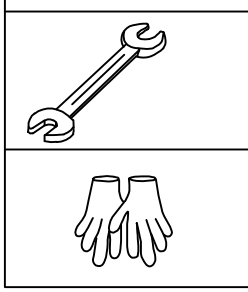
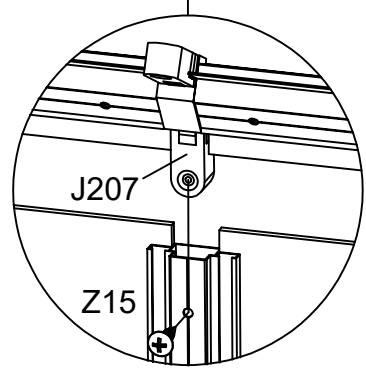
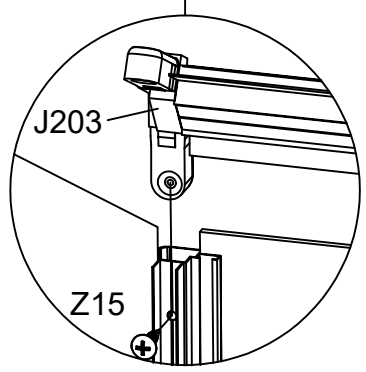
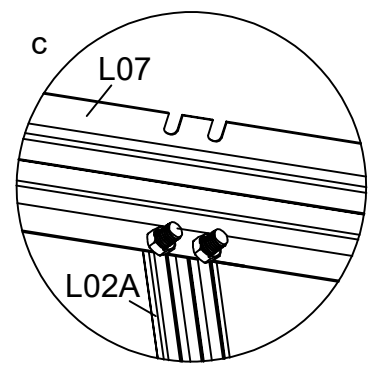
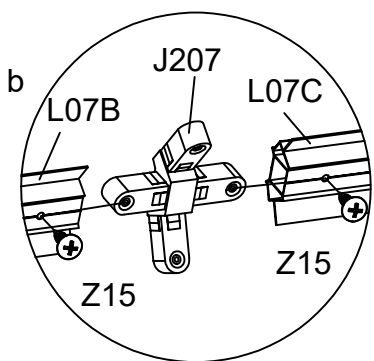
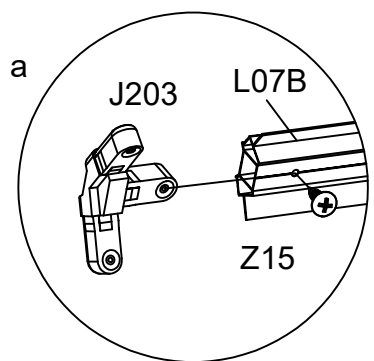
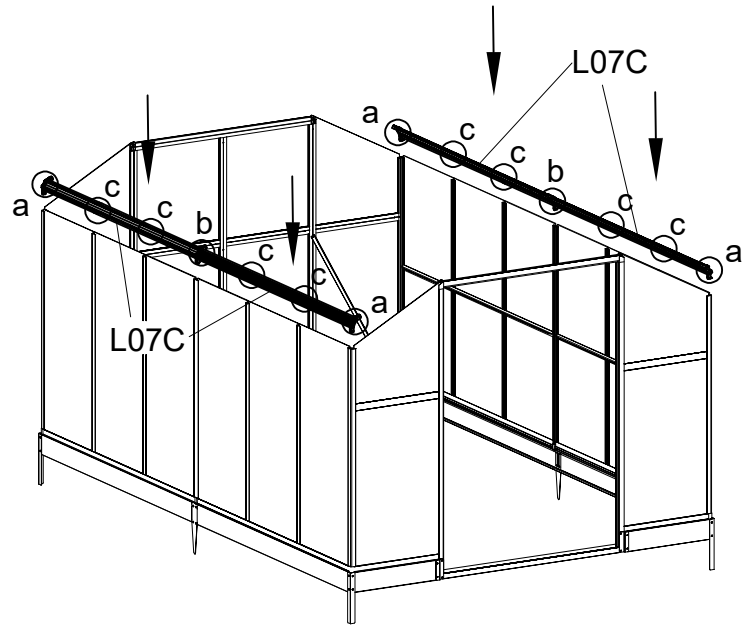
# Wall Assembly

PART	NO	QTY
	Y1	2
	Y2	2
	Y6	12

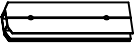




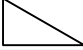


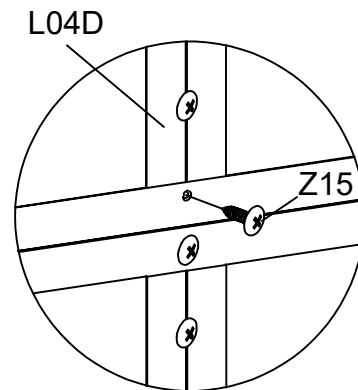
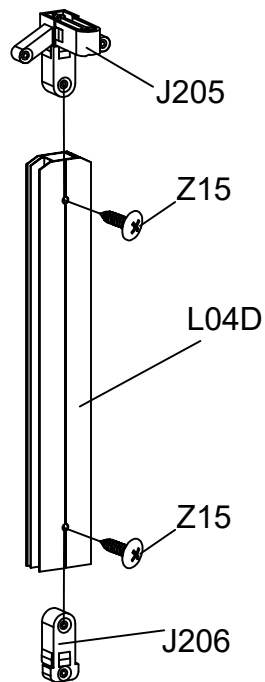
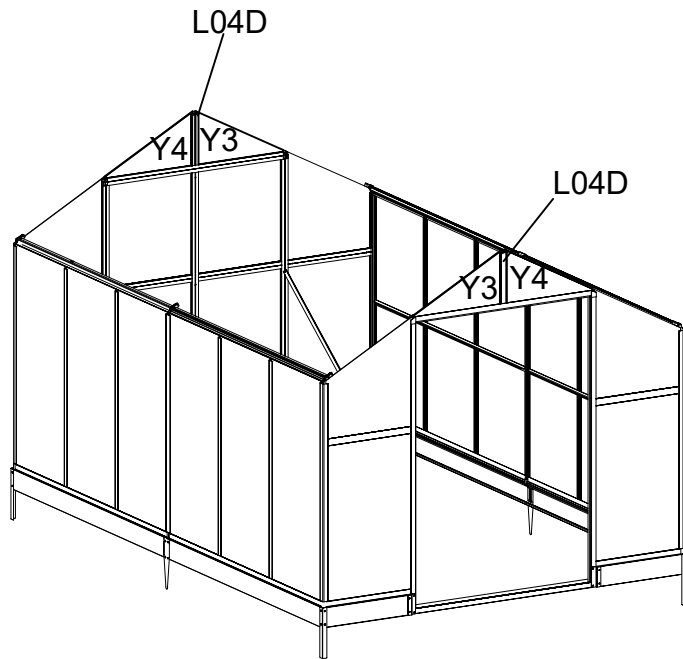
PART	NO	QTY
	L07C	4
	J203	4
	J207	2
	M01 M6	16
	Z15 Ø4X12D	20

# Wall Assembly



# Wall Assembly

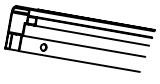

PART	NO	QTY
	L04D	2
	J205	2
	J206	2
	Z15 Ø4X12D	6
	Y3	2
	Y4	2

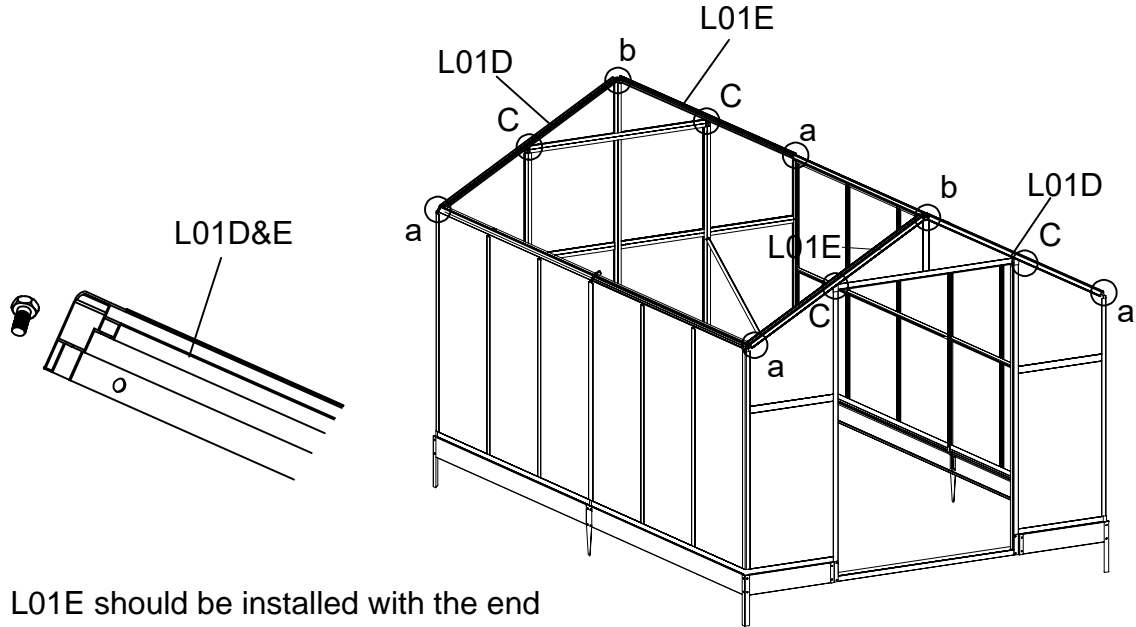


L04D has a cut corner on the side facing up, with J205 on the upper end and J206 on the lower end.

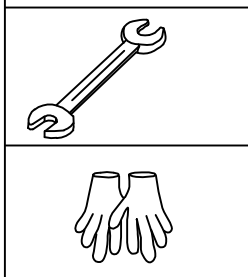
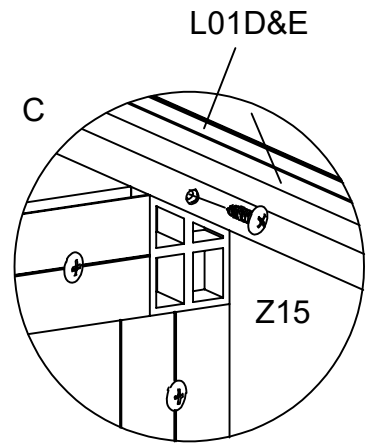
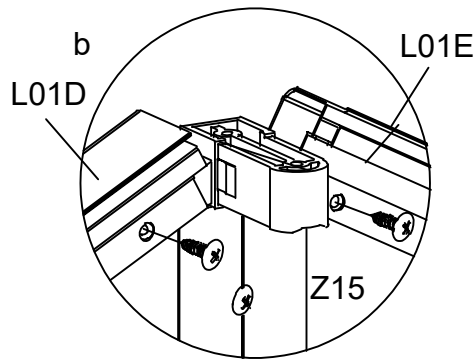
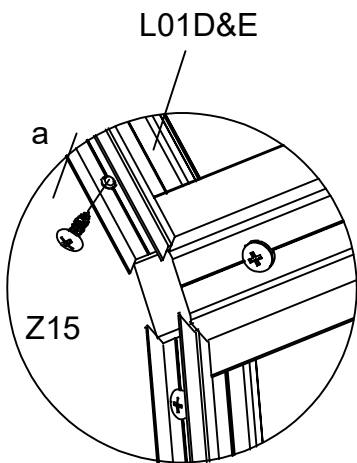


# Wall Assembly





PART	NO	QTY
	L01D	2
	L01E	2
	Z15 Ø4X12D	12
	S01 M6X10	4

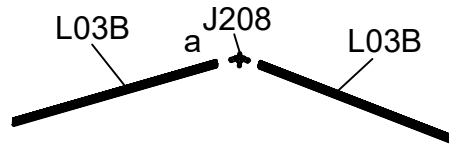


L01D and L01E should be installed with the end of the hole facing upwards, and 1 S01 should be inserted into the slot.

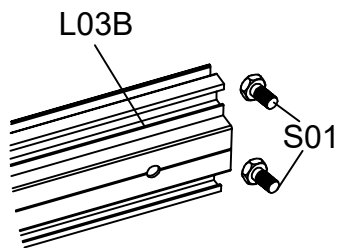
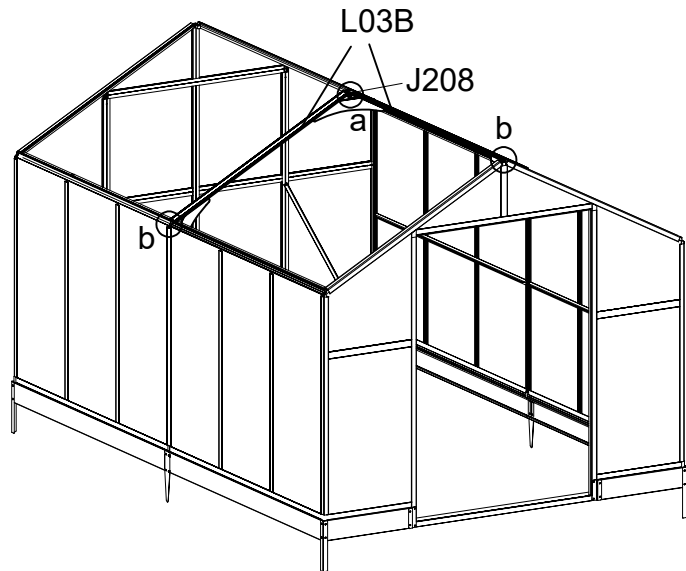
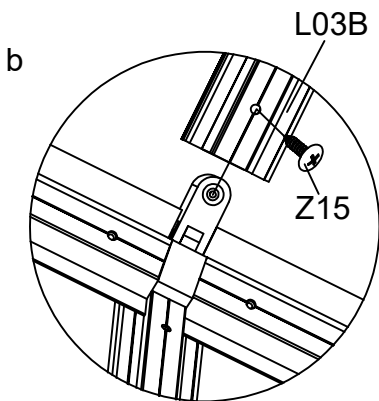
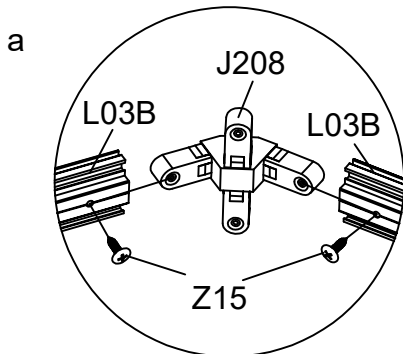


# Top Assembly

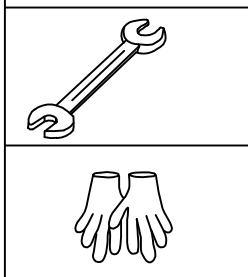
PART	NO	QTY
	L03B	4
	J208	1
	Z15 Ø4X12D	8
	S01 M6X10	12



Link the two L03Bs with J208 (installed on the ground first)


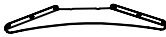
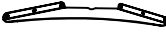




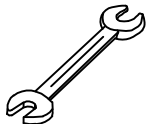
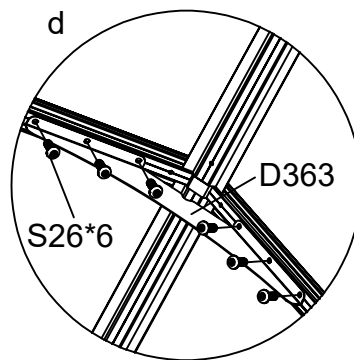
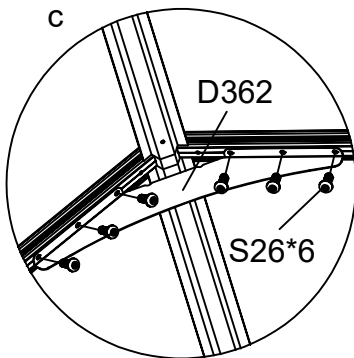
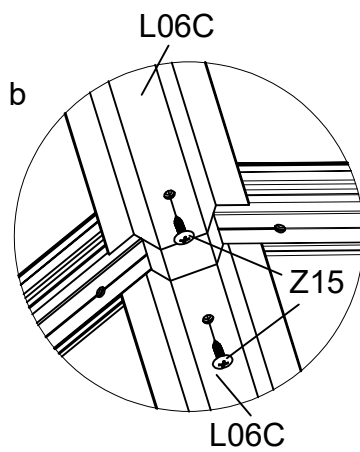
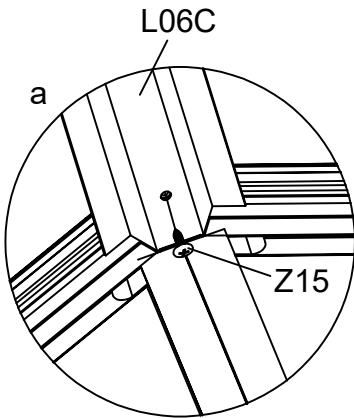
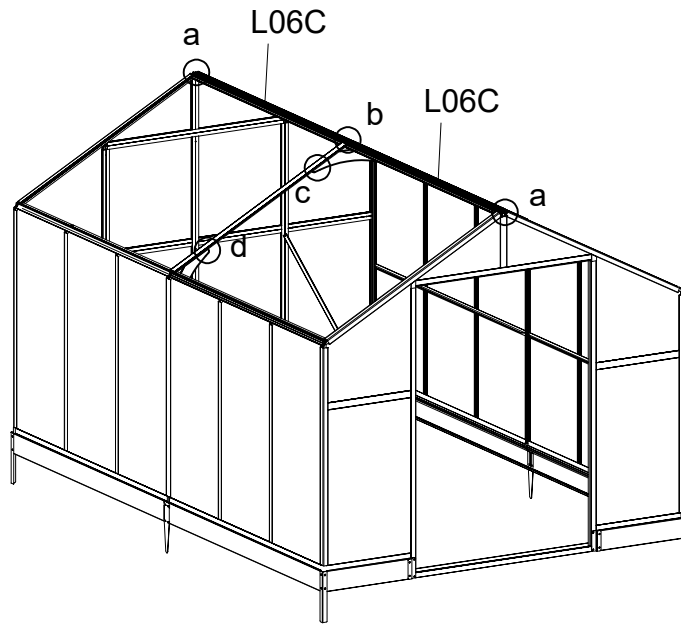
Insert the S01 screw into the two side slot of the L03 respectively.








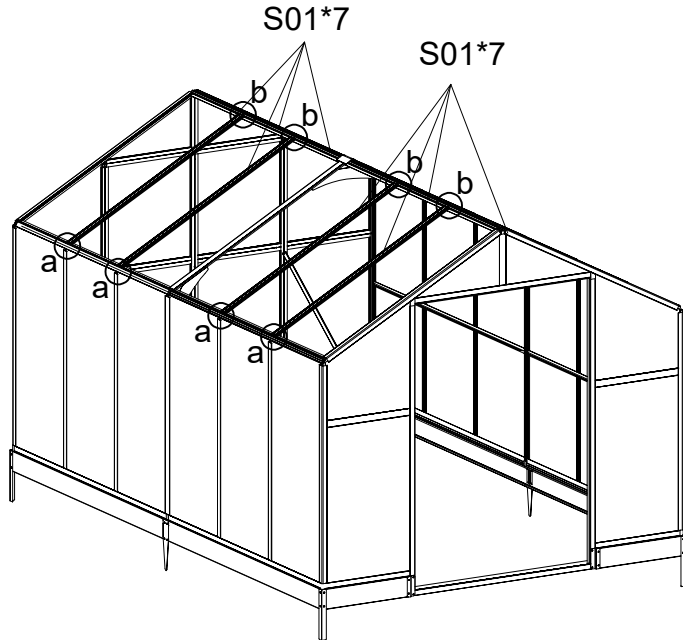
# Top Assembly

PART	NO	QTY
	L06C	2
	D362	1
	D363	2
	S26 M5X12	18
	Z15 Ø4X12D	4

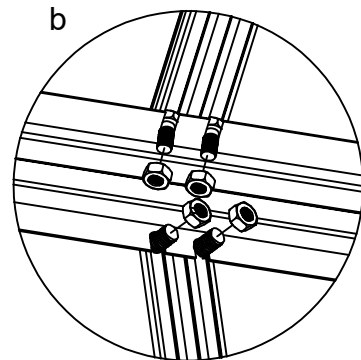
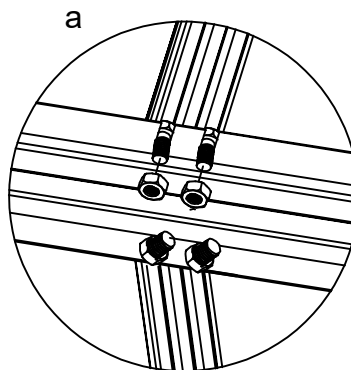
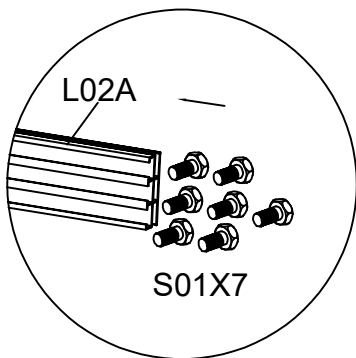


# Top Assembly





PART	NO	QTY
	L02A	8
	S01 M6X10	56
	M01 M6	32

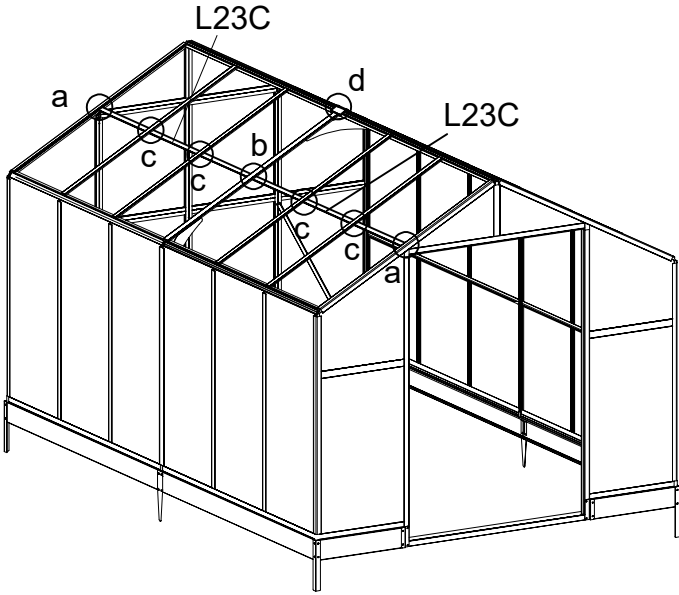


Slide 7 S01 screws to the L02A need to install windows (two at each end, three in the center), slide 7 S01 screws to the rest of the L02A (two at each end, one in the middle)

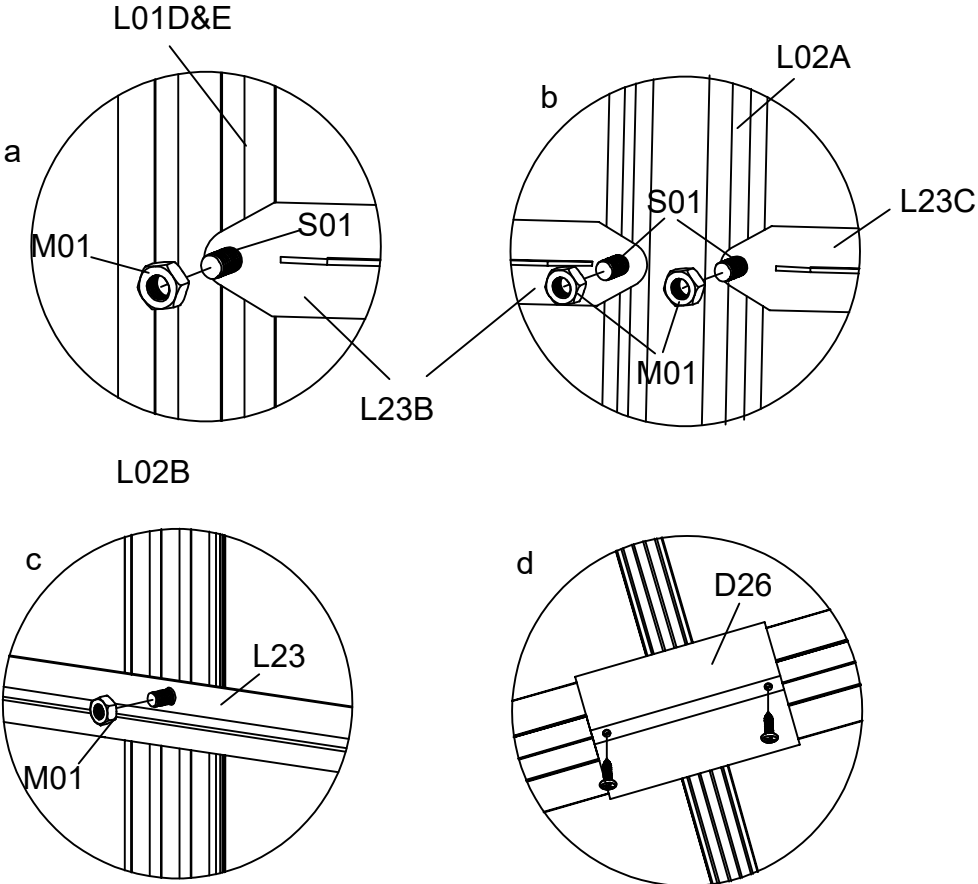


# Top Assembly

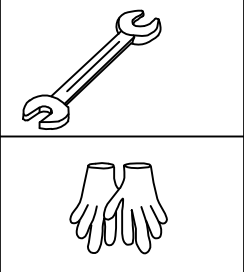
PART	NO	QTY
	L23C	4
	D26	1
	M01 M6	16
	Z08 M4.2X16	2






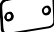



L23B&C with the extra reinforced edge in the middle should face inside.

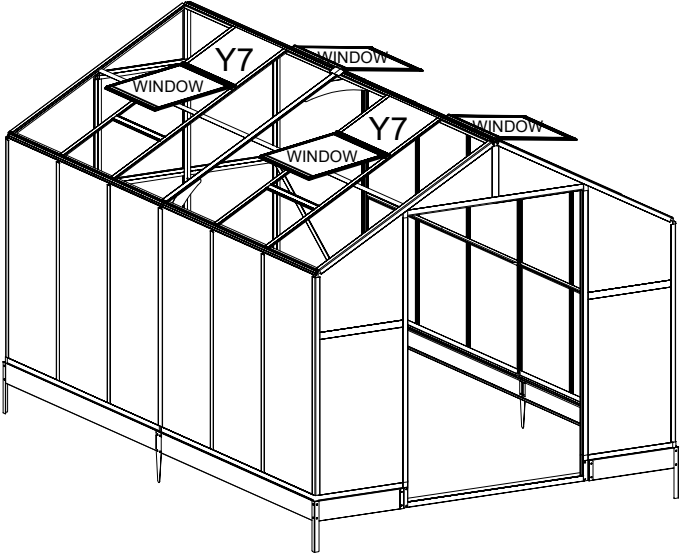


Fix D26 to L06B&C from outside with self-tapping screws Z08, using a powered screwdriver.

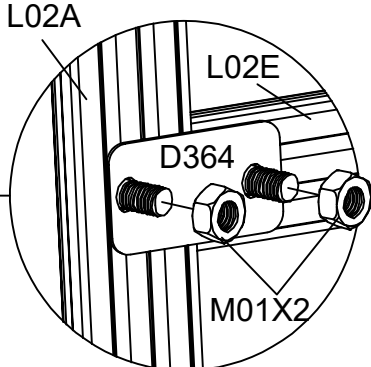
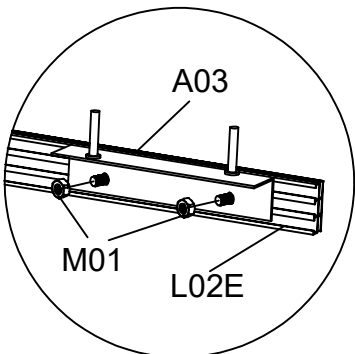
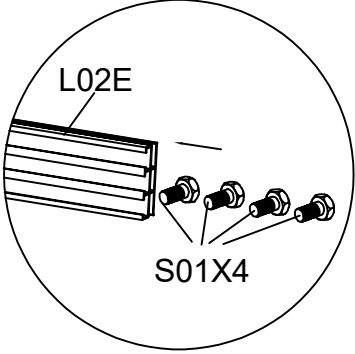


# Top Assembly

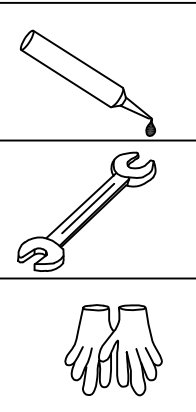
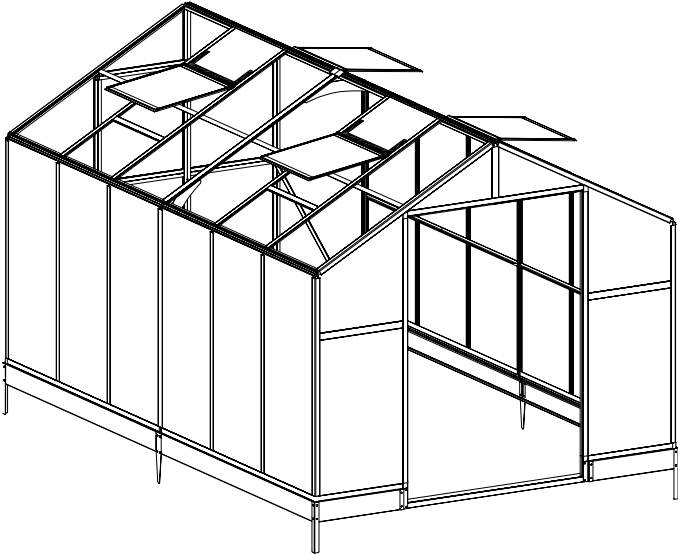
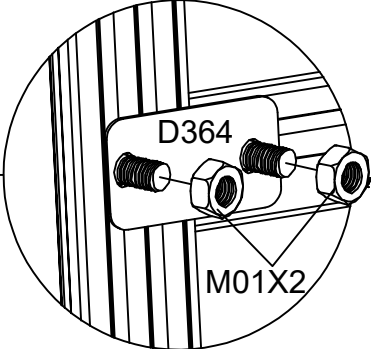
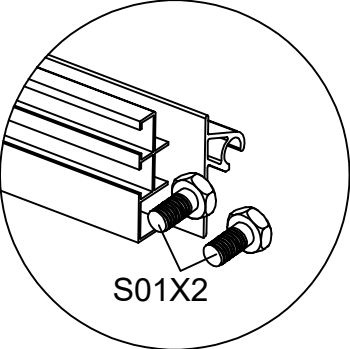
PART	NO	QTY
	L02E	4
	A03	4
	WINDOW	4
	D364	16
	Y7	4
	S01	24
	M6X10	
	M01	40
	M6	



attention to sliding into the middle chute

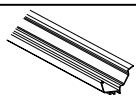
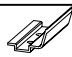

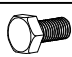





When installing L02E, the window needs to be lifted up to avoid the window not opening after the installation is complete

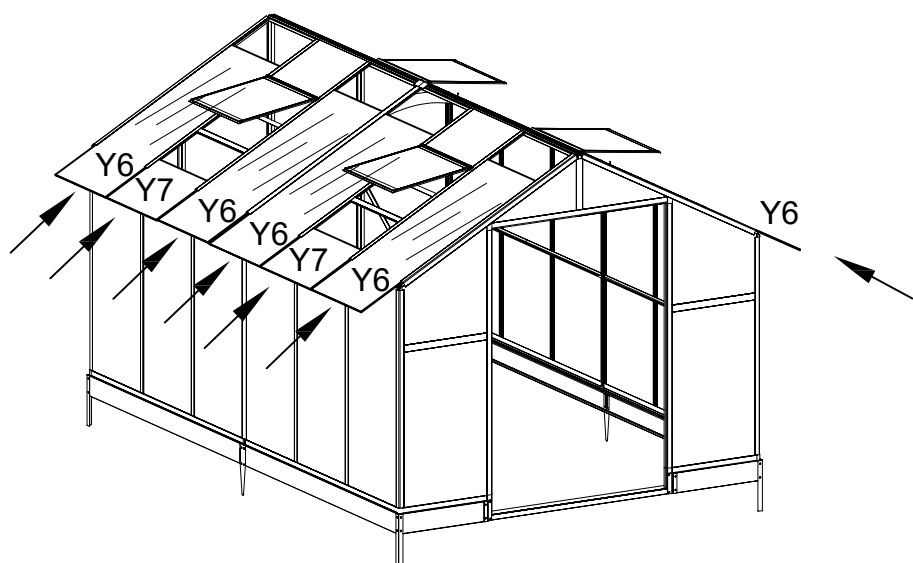


Slide 2 bolts (S01) into each L12A, and bolt it to L02A, using the S01 & M01.

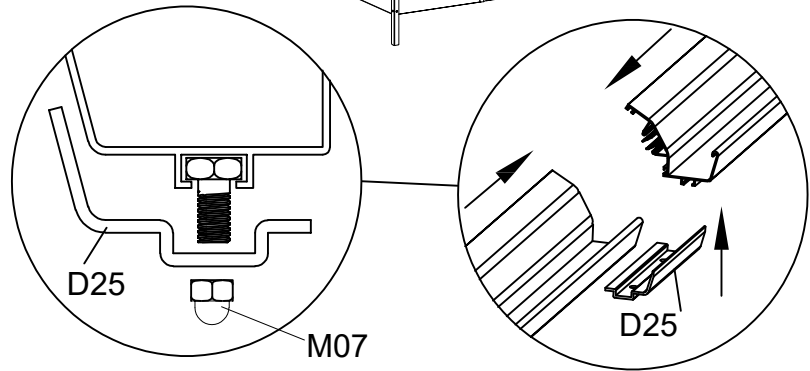
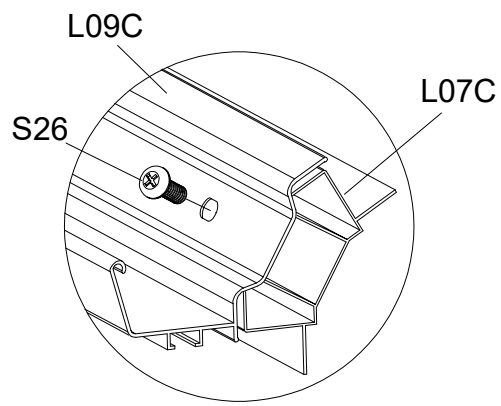
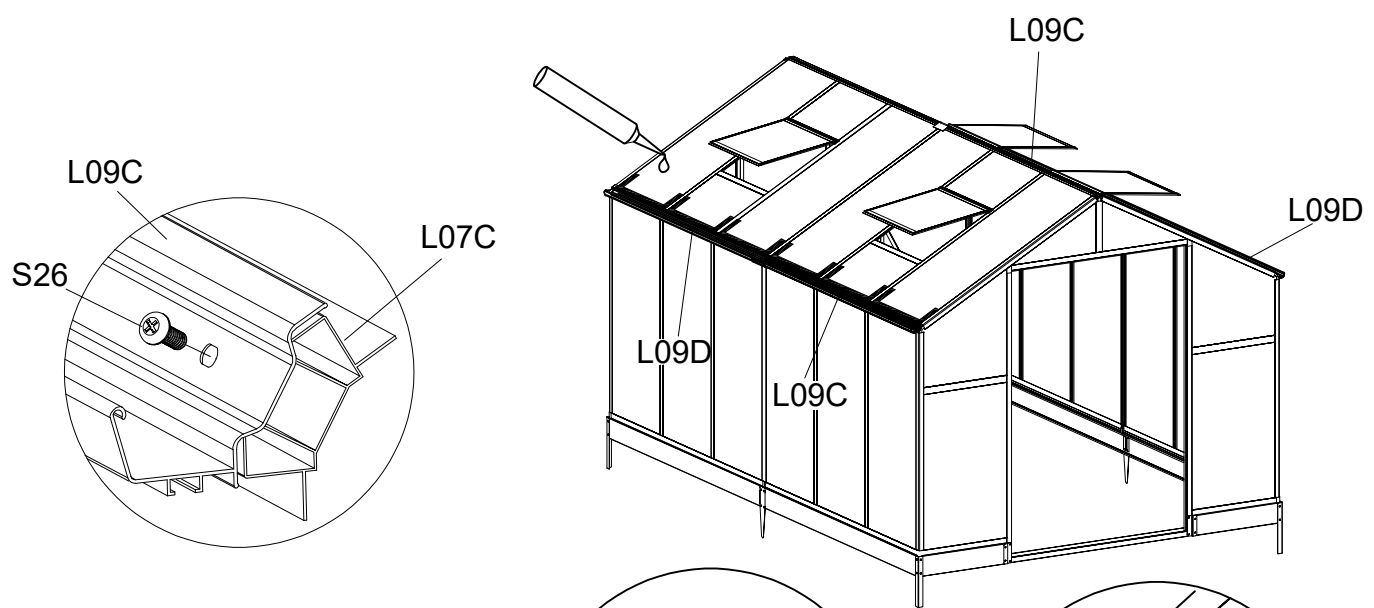
After the panels and windows are in position, put some silicone sealant around to avoid leaking water.

PART	NO	QTY
	L09C	2
	L09D	2
	D25	2
	S26 M5X12	24
	S01 M6X12	4
	M07 M6	4
	Y6	8
	Y7	4

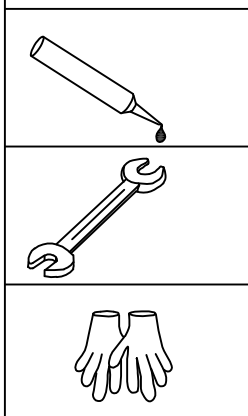
# Top Assembly








After the panels and windows are in position, put some silicone sealant around to avoid leaking water.

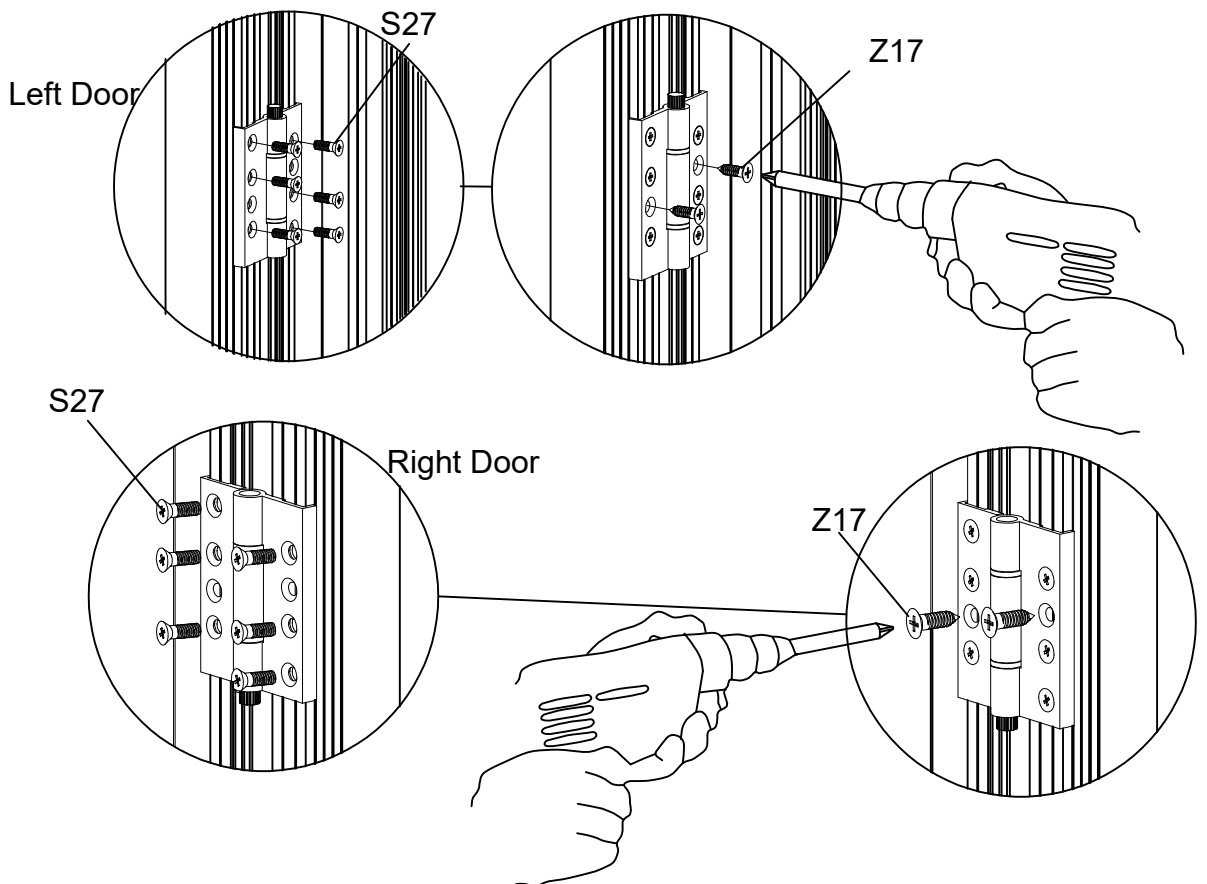
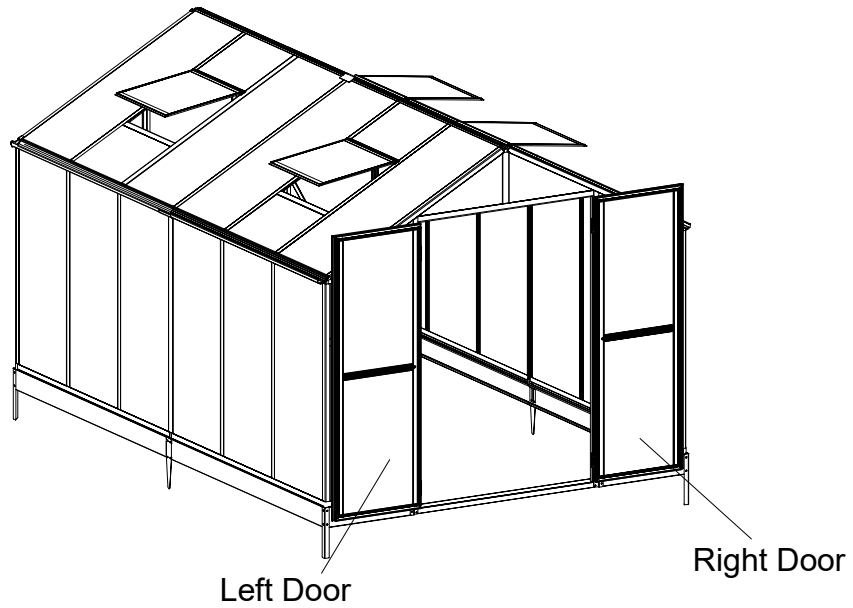


Slide 1\*S01 into the bolt channel of both L09C, fix D25 to L09C using S01 & M07.

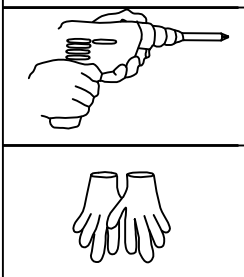


PART	NO	QTY
	D00R-L	1
	D00R-R	1
	A108	4
	Z17 M4.8X16	8
	S27 M5X12	24

# Door Assembly

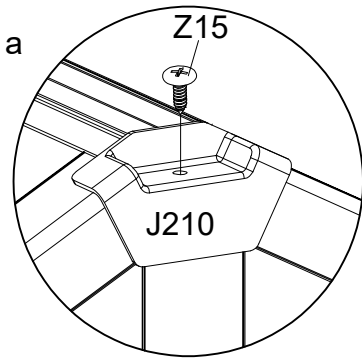
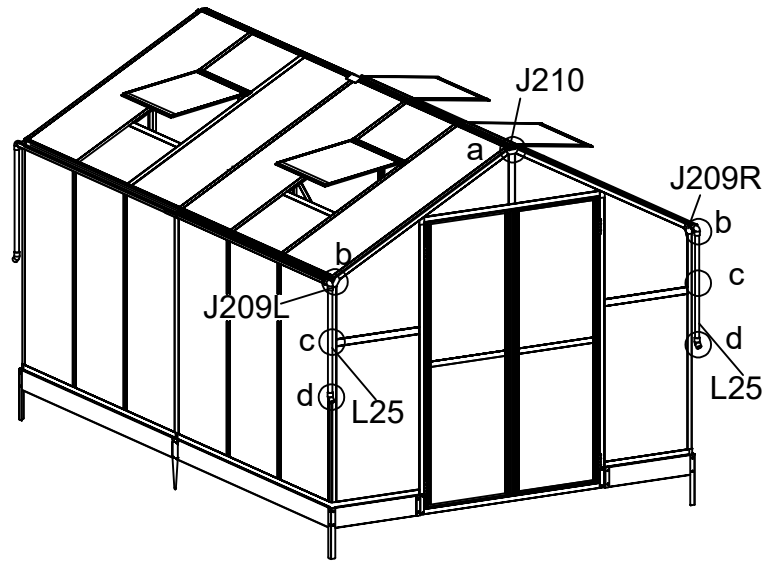


Fix A108(4 PCS) one side on the door profile and the other side to L02E/L02F using S27. Then secure with Z17.

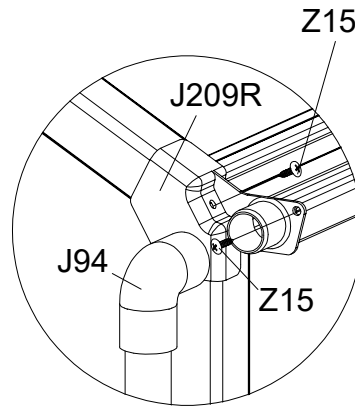
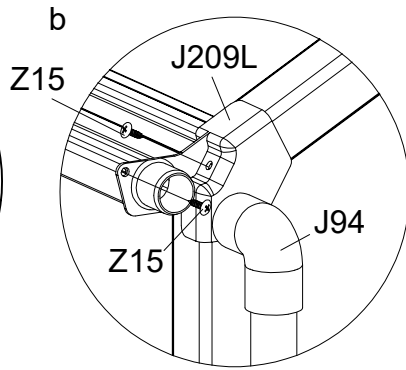


PART	NO	QTY
	J209R	2
	J209L	2
	J210	2
	J94	4
	L25	4
	J93	4
	J166	4
	Z08 M4.2X16	4
	Z15 Ø4X12D	10

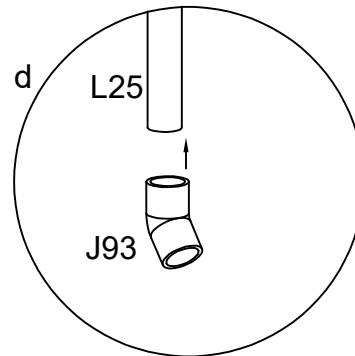
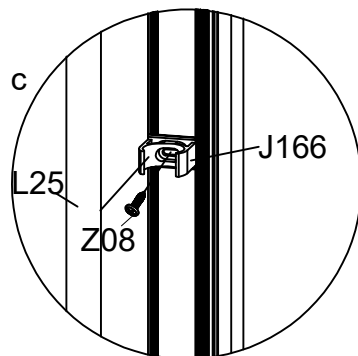
# Accessories Assembly



Fix the cover caps J210 into the ridge profile



Fix the cover caps (J209L/R) carefully with Z15. Be careful to ensure that the screws are driven in straight and in the correct position (see detail drawings).



Drill a hole in L01A/L01B, approximately 3mm diameter and 400mm down from the gutter. Fix the J166 downpipe bracket with Z08 screws and then clip the L25 downpipe into the J166 bracket.

If you wish to eliminate leaks, use glue when fixing the downpipe bends (not provided).

