

Thank you for choosing us to be a part of your life. We value your business, and constantly strive to provide you only top-quality products and services. Contact us if we can be of further assistance, we'd love to hear your advice.



Warm Tips:

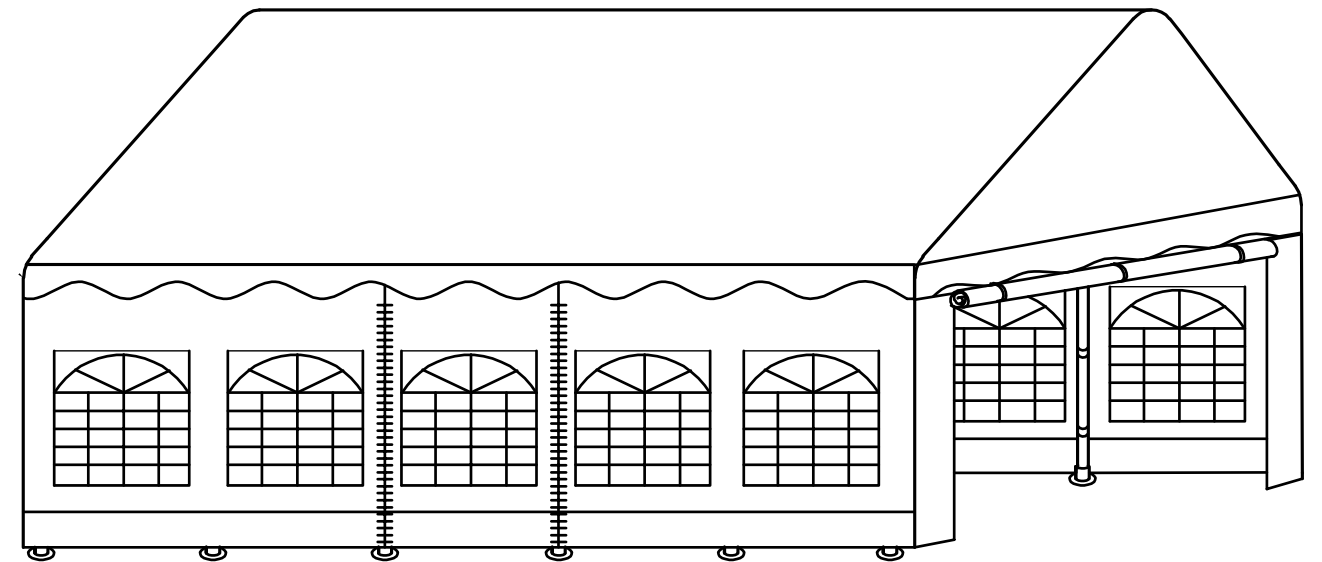
1. If you need any help or received damage or missing parts, please feel free to contact our customer support.
2. Please check the pack content before attempting to construct the Green house.
3. Read them annual carefully and familiarise yourself with the Procedure before assembling it.
4. Please do not locate the Product in the area exposed to excess winds.
5. It is recommended that the green house to be assembled by at least two people.



WARNING

Manufacturer and seller expressly disclaim any and all liability for personal injury, property damage, or loss, whether direct, indirect, or incidental, resulting from the incorrect attachment, improper use, inadequate maintenance, or neglect of this product.

16x32 ft Green house INSTRUCTION MANUAL



SKU : 1007120202A (BOX1/2)

1007120203A (BOX2/2)

Arrive in 2 separate boxes and may not be part of the same shipment;

Please install the product after receiving all the packages

Email Address: support@amer-life.com

Tel: +1(901)347-2181

Service Time: 8 am-5 pm (central time) Monday-Friday. If no one picks up, please call several more times



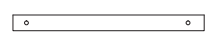
Pre-installation Notes:

1. Assembly requires three or more people.
2. It is recommended to use a ladder during assembly.
3. Ensure all necessary accessories are prepared before assembly.
4. Assembly is not recommended during heavy wind or rain.
5. Assembly is recommended on level ground.

Item no.	Reference Image	Qty.
1		X12
2		X15
3		X12
4		X12
		X12
		X6
		X12
	Tent peg	X24
		X120
		X12
		X4

Reference Image	Qty.
	X1
	X2
	X2
	X4
	X1
<p>It's best to pre-locate and lay out all the profiles on the ground before proceeding with the installation</p>	

1



②15pcs



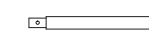
6pcs



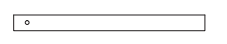
12pcs



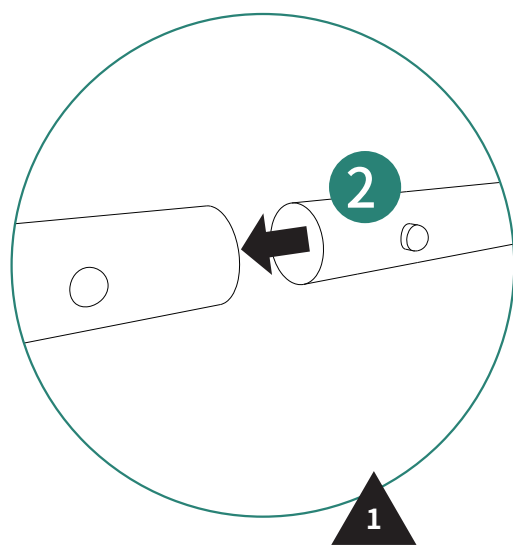
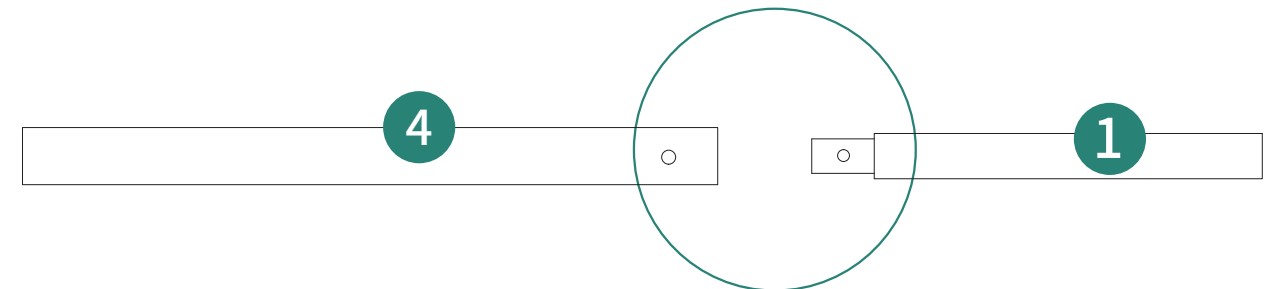
2



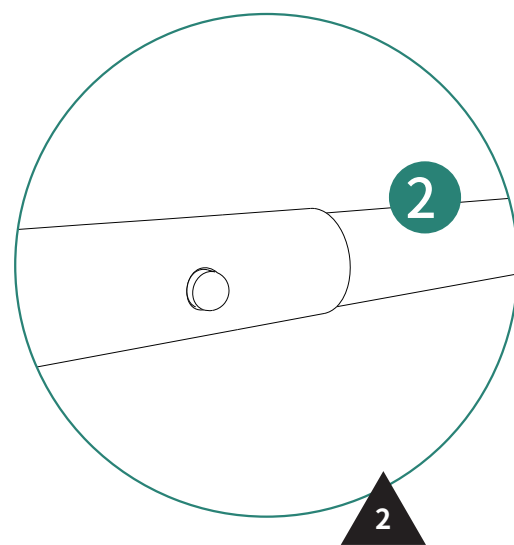
①12pcs



④12pcs

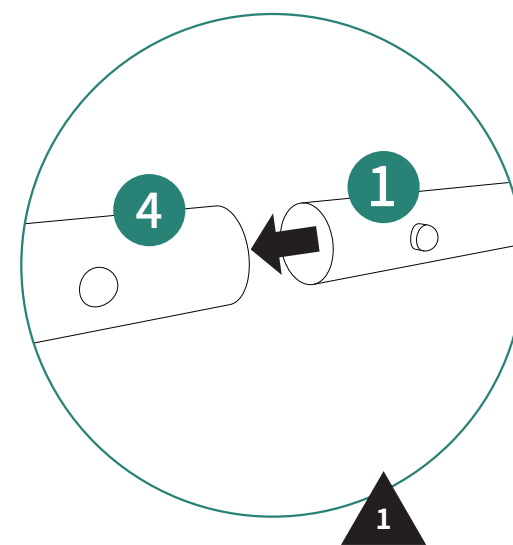


1

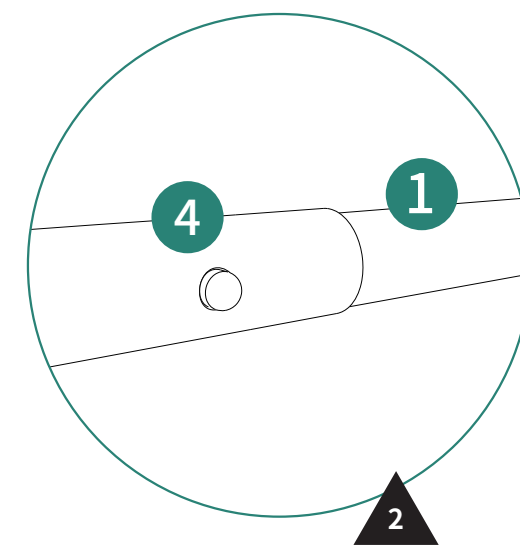


2

3



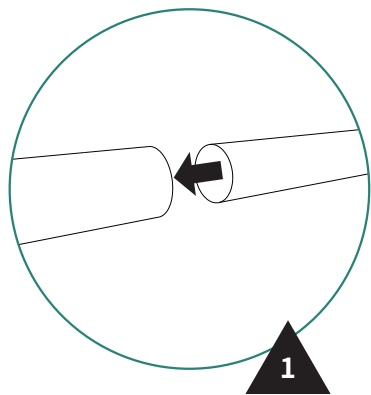
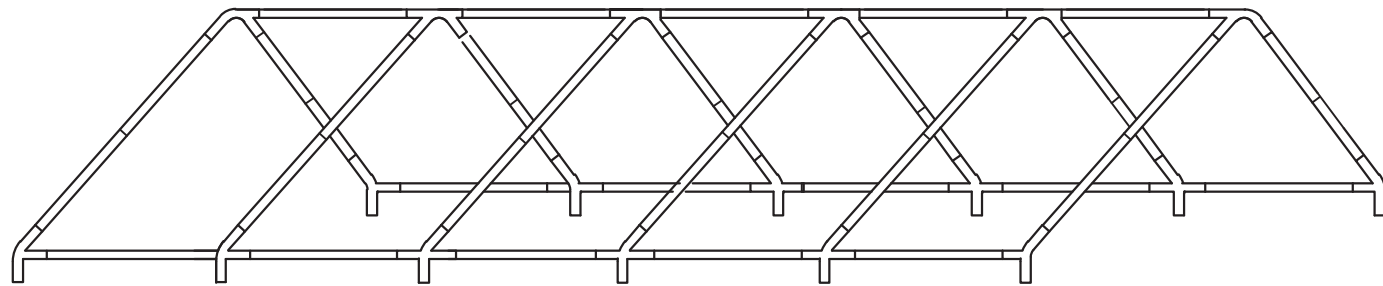
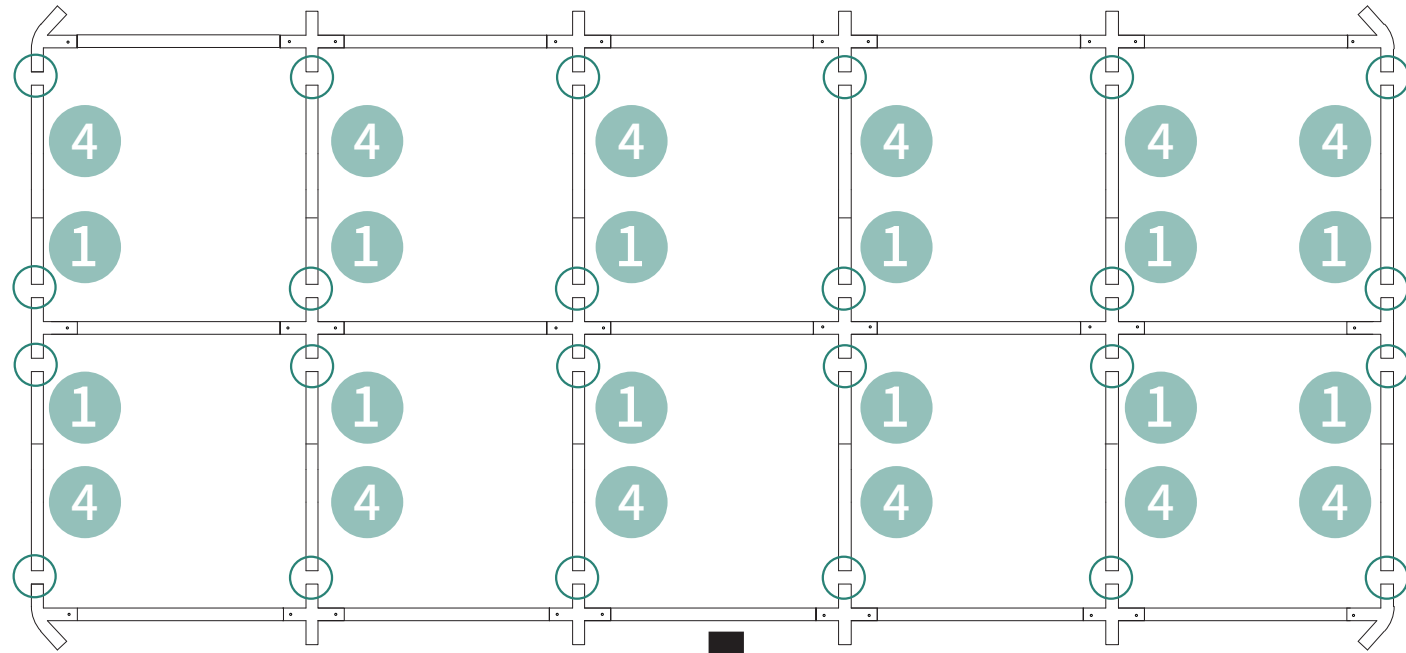
1



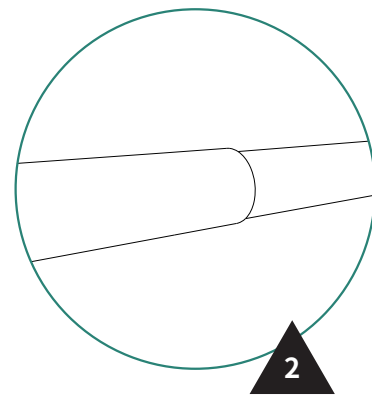
2

4

3



1



2

5

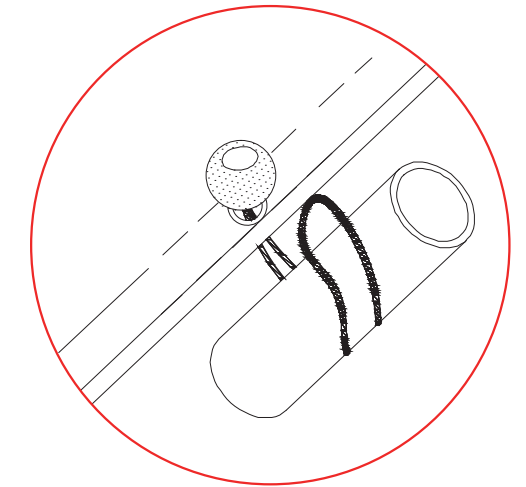
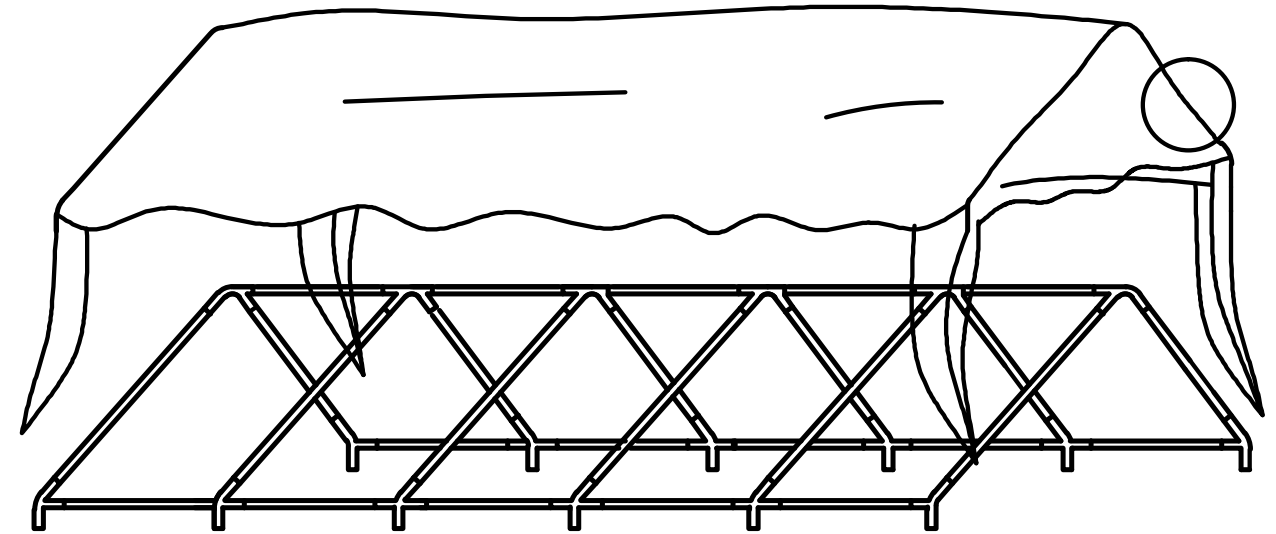
4



1pc




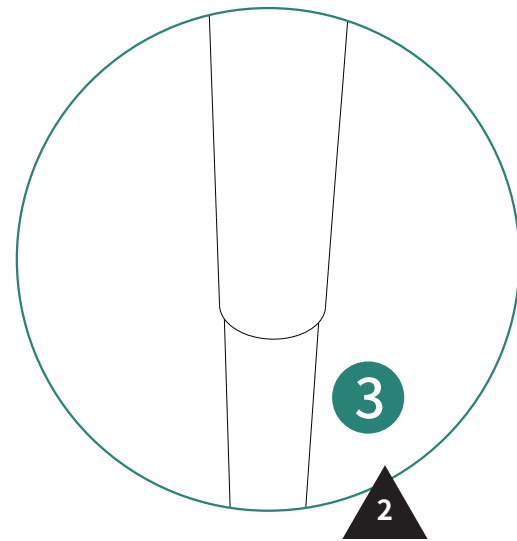
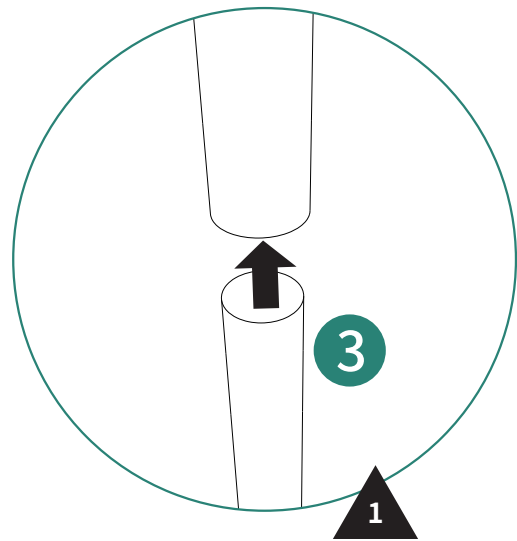
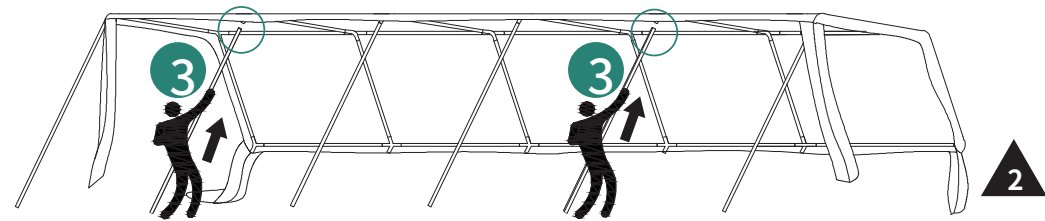
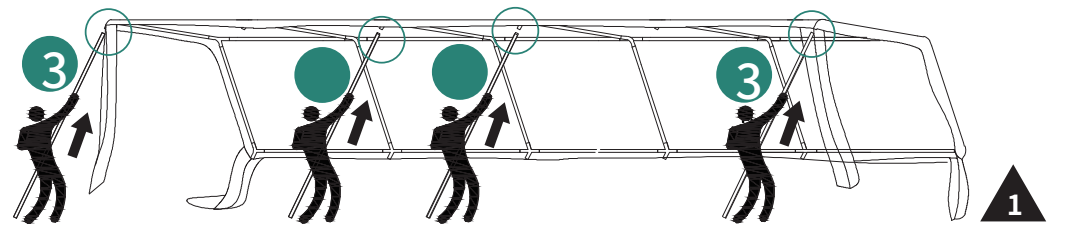
40pcs




To prevent the cloth cover from being blown away, you can first use a bungees to secure the cloth cover to the profile.

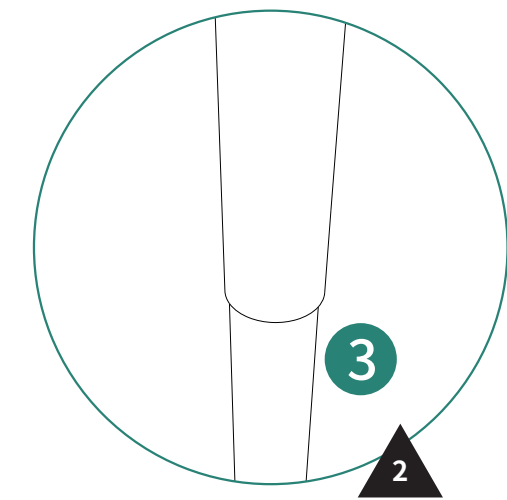
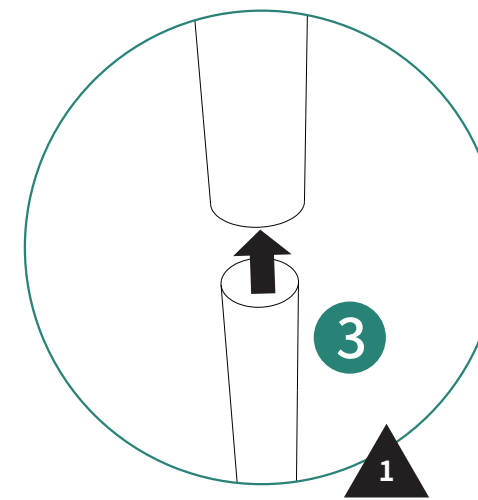
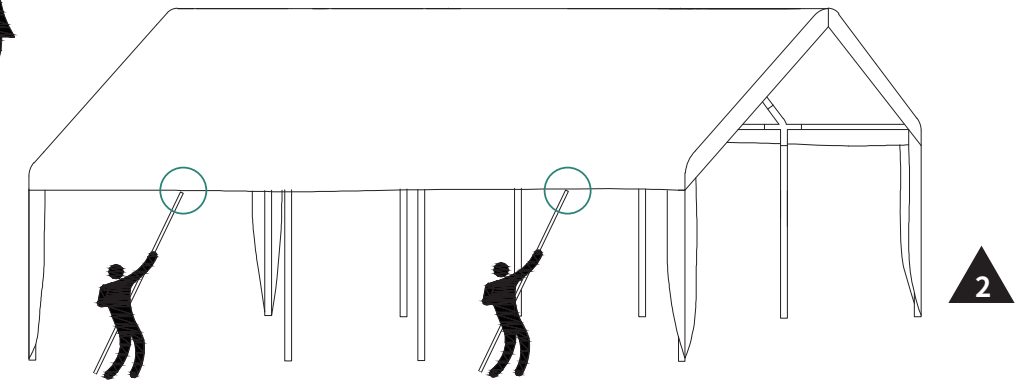
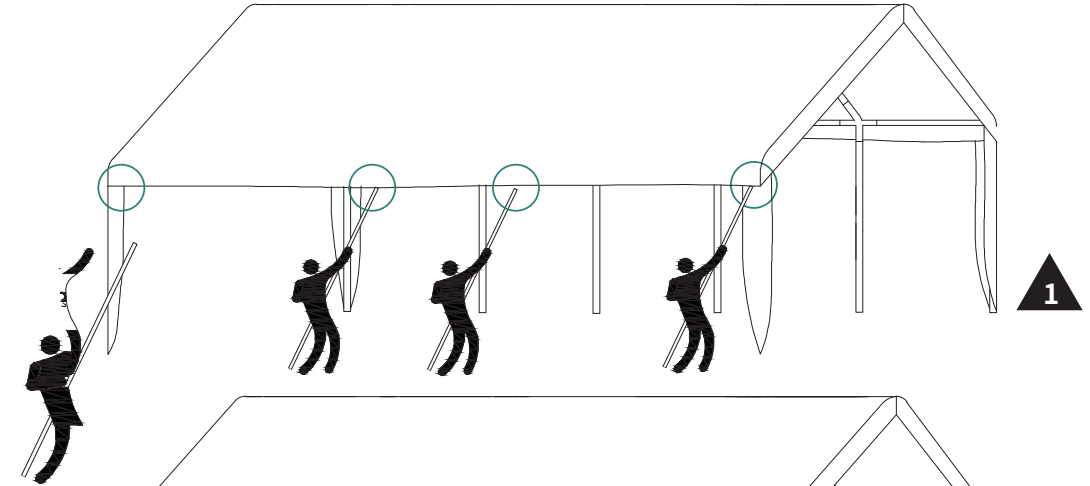
6

5  ③ 6pcs

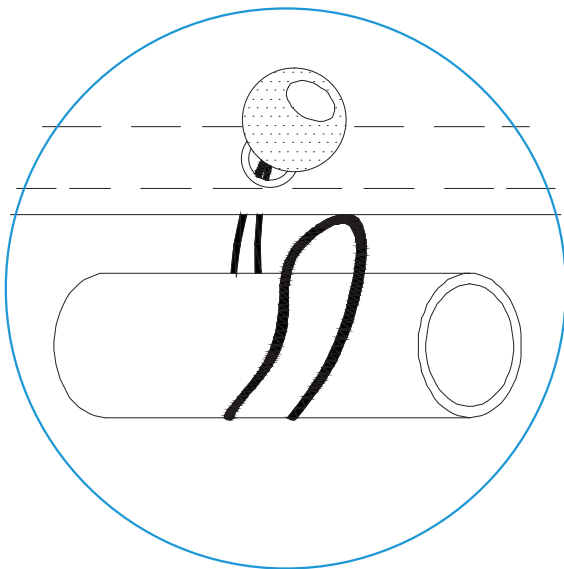
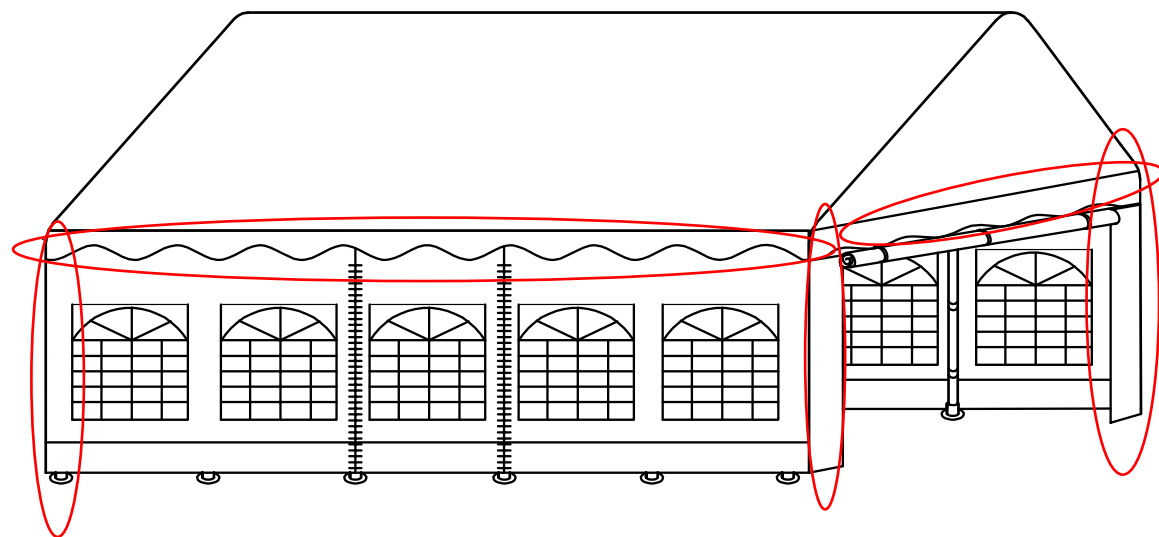
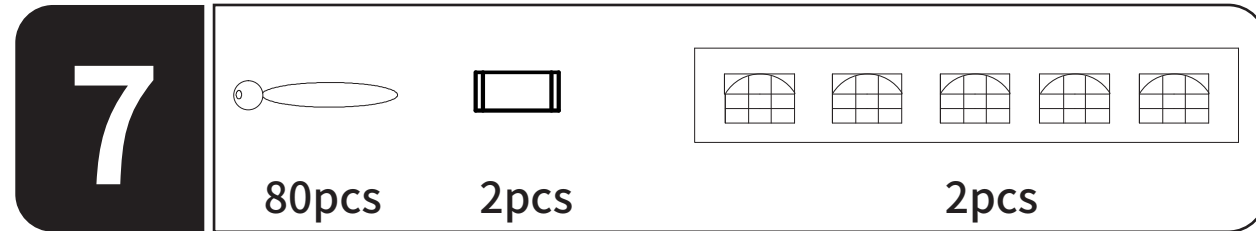


Note: The tensioning connectors need to be installed in advance into the pillars at all four corners.

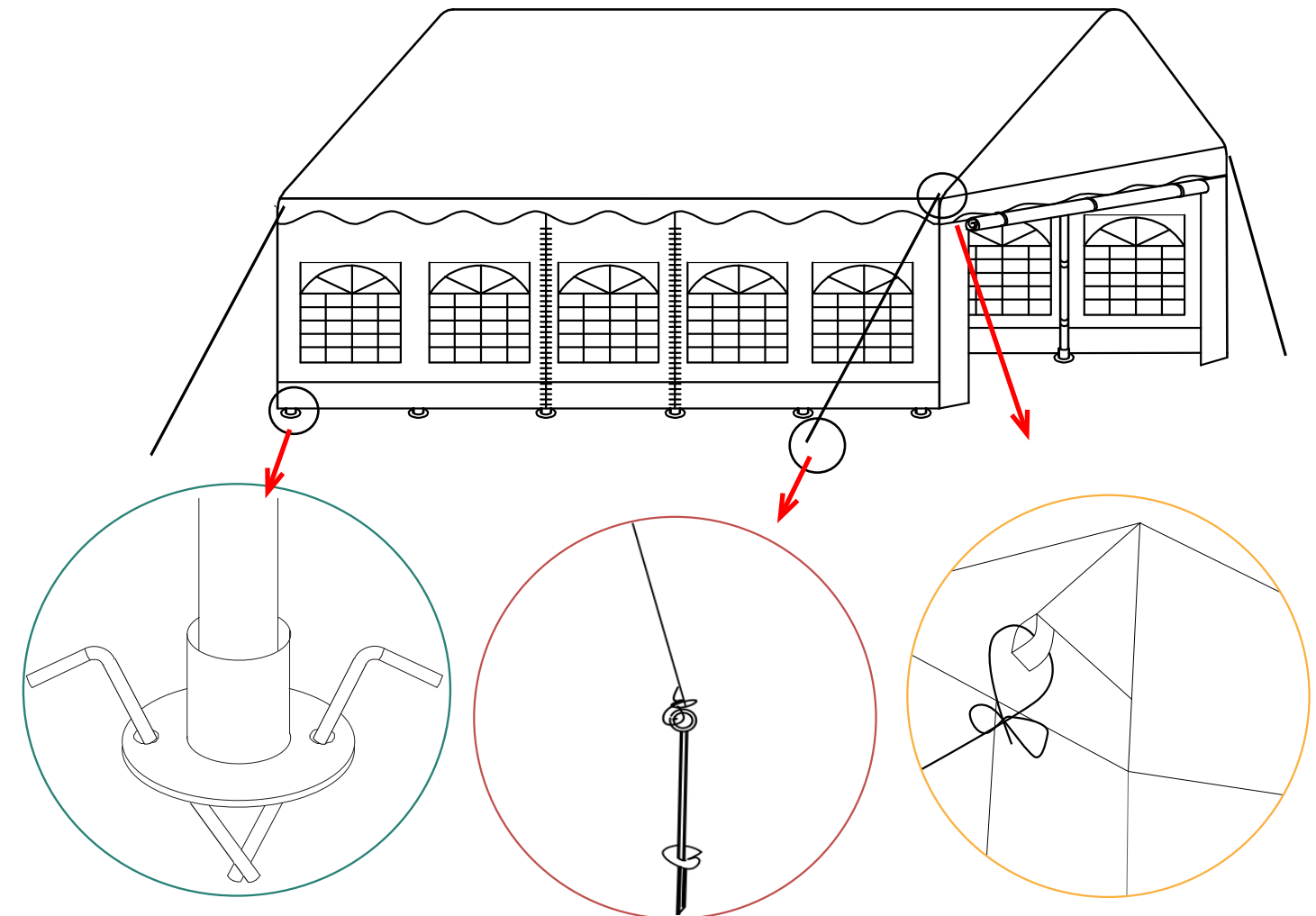
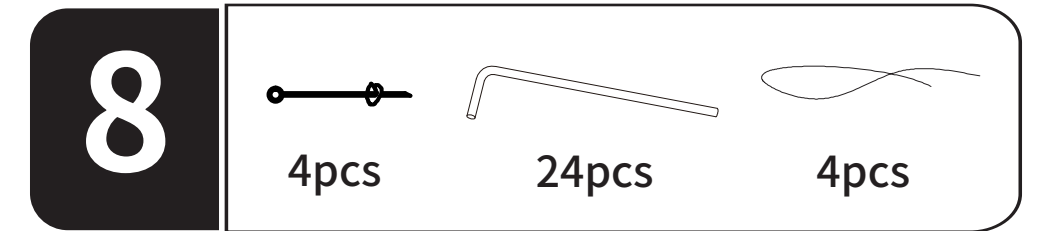
6  ③ 6pcs



Note: The tensioning connectors need to be installed in advance into the pillars at all four corners.

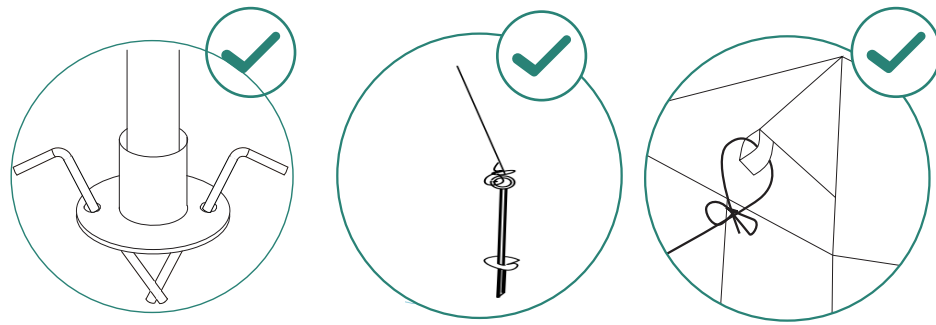


The top and crossbeam are tied together with the previous drawstring before being wrapped with the cloth, and the same operation is performed at the four corners.

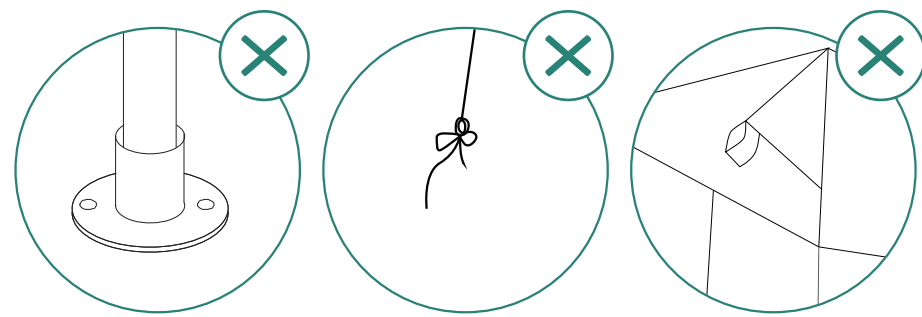


1. When installing L-shaped ground stakes, it's important to ensure that the stakes are inserted diagonally into the soil to form an X shape with two stakes crossing each other.
2. The windproof rope must be tightly fastened with the fabric sleeve and round-headed ground nails. Moreover, the round-headed ground nails need to be inserted diagonally in the direction beyond the canopy into the soil to achieve the maximum effectiveness.

9



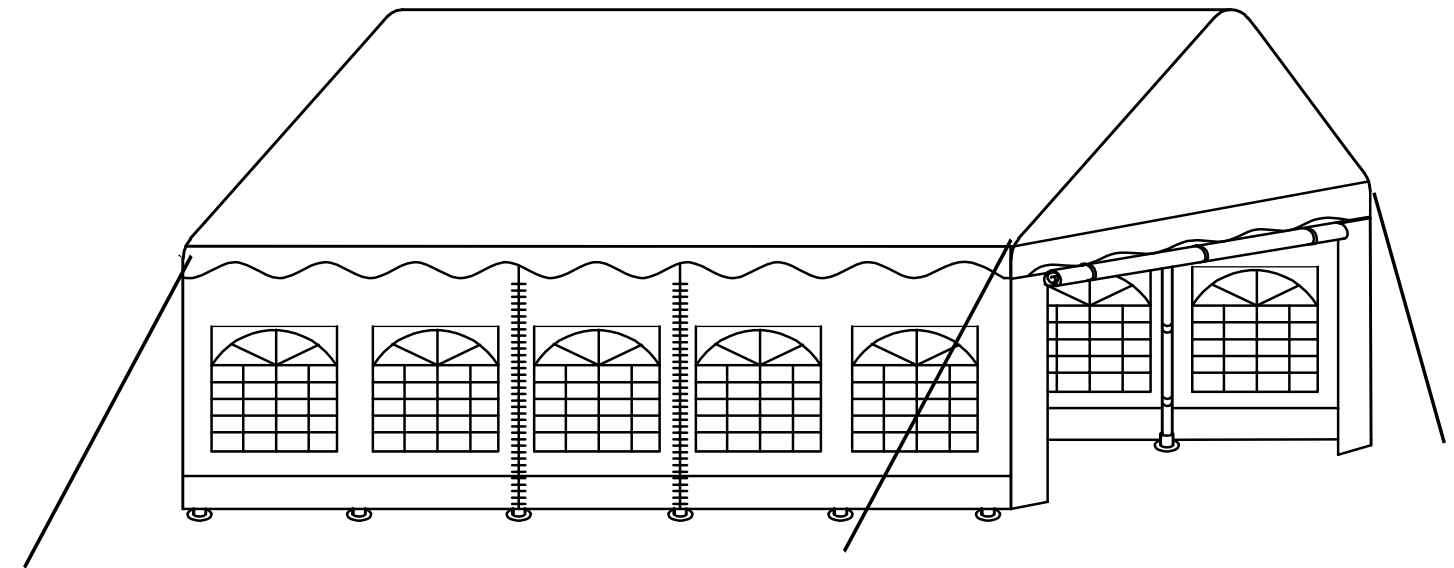
Grassy surfaces



Cement surfaces

To improve wind resistance, **be sure to complete this installation step. If expansion screws or ground nails are not installed, strong winds may topple the gazebo.** Expansion screws are essential for stability on cement surfaces and ground nails are for grassy surfaces. Ground nails are included in the package while expansion screws are not provided.

10



Installation Completed

How to make the entire greenhouse more sturdy in strong winds or heavy snow?

1. Ensure all screws are tightened.
2. Confirm that ground nails and windproof ropes are installed as instructed.
3. Use stones or other heavy objects to weigh down any excess fabric around the perimeter.
4. If the canopy is erected on concrete ground, it is recommended to use expansion screws.