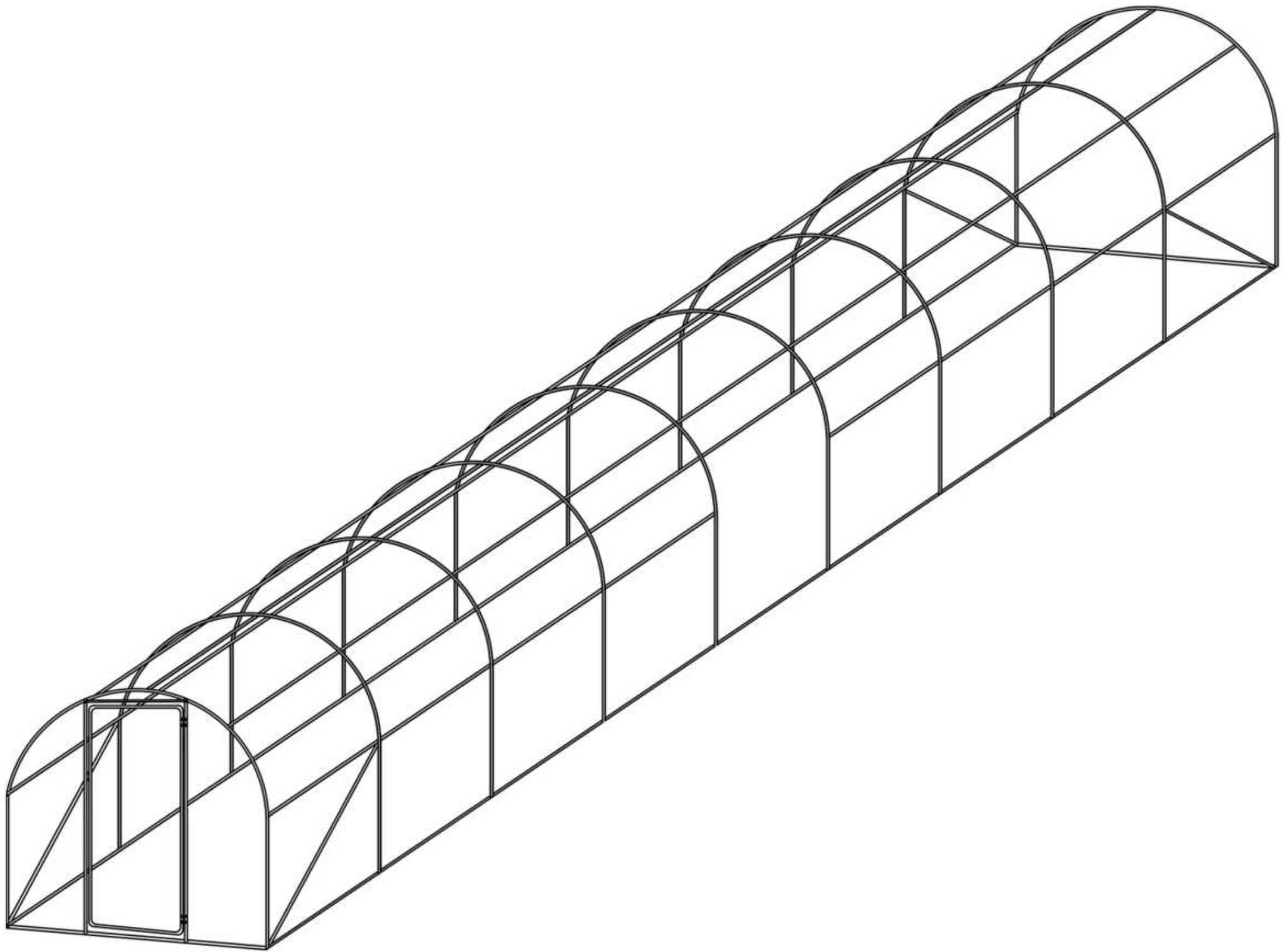


10x44x7.5 ft Greenhouse

INSTRUCTION MANUAL



SKU: 1007030117E

1007030118E


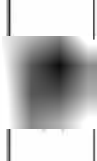











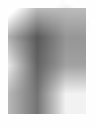
Email: support@wepatio.com

Phone: 901-347-2181



















Revision date: 24.1.15

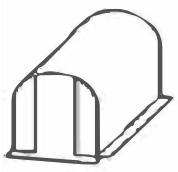
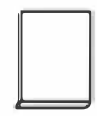
Accessories List

BOX1

A	B φ22	C M6*55mm	D M6*30mm	E M6*40mm	F M6	G	H M6	I	J φ24	J1 φ22	I 1130mm	K	●
													
1PCS	16PCS	73PCS	18PCS	7PCS	98PCS	1PCS	1PCS	22PCS	16PCS	16PCS	40PCS	2PCS	2PCS

BOX2

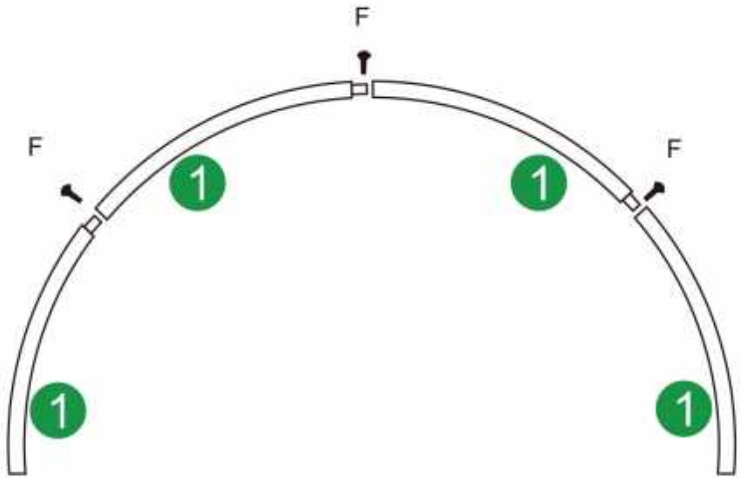
2 1521mm	3 1521mm	4 990mm	5 1021mm	6 891mm	6-1 891mm	7 880mm	8 880mm	9 1020mm	10 935mm	11 880mm	12 860mm	13 880mm	14 860mm	15 1085mm	16 1070mm	17 1085mm	18 1070mm
																	
8PCS	54PCS	4PCS	2PCS	4PCS	4PCS	10PCS	10PCS	1PCS	2PCS	1PCS	1PCS	1PCS	1PCS	1PCS	1PCS	1PCS	1PCS

P	Q
	
1PCS	1PCS

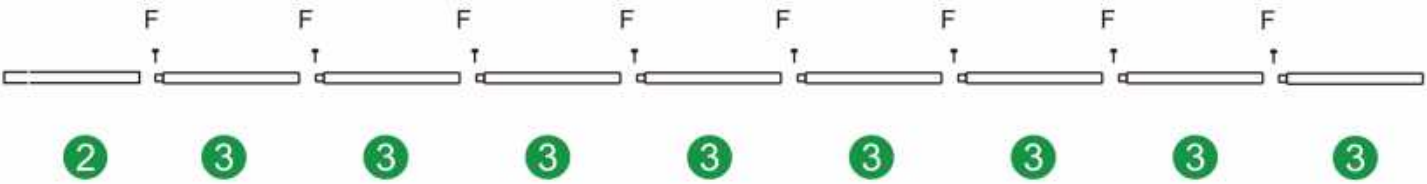
Assembly Instruction

• Steel Pipe

Assemble four curved supports with longer bolts (Insert for preliminary fixation only, and tighten later).

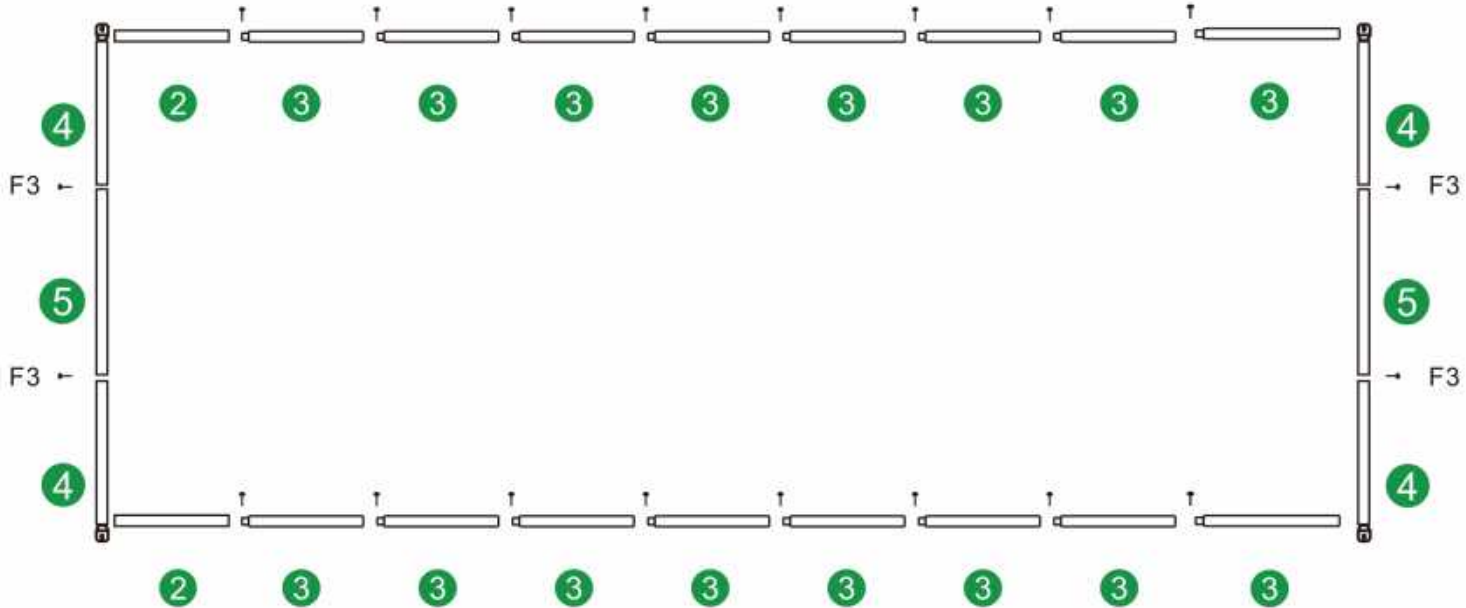


Assemble horizontal supports with longer bolts (Insert for preliminary fixation only, and tighten later).








• Frame

Put two floor supports(short) and two horizontal supports' (long) together.

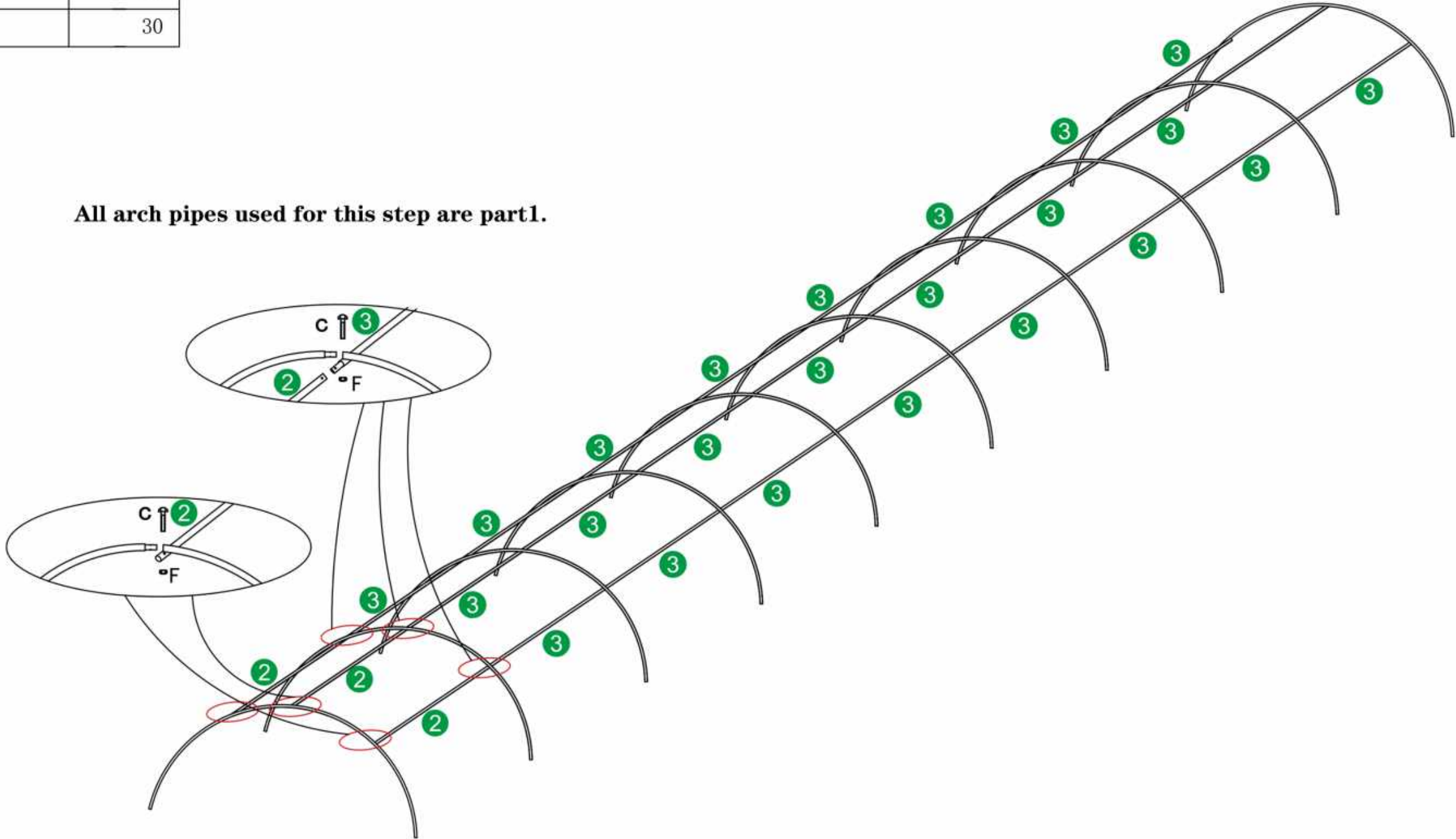


HARDWARE







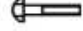

Part List	Picture	Qty
1		40
2		3
3		24
C		30
F		30

STEP 1

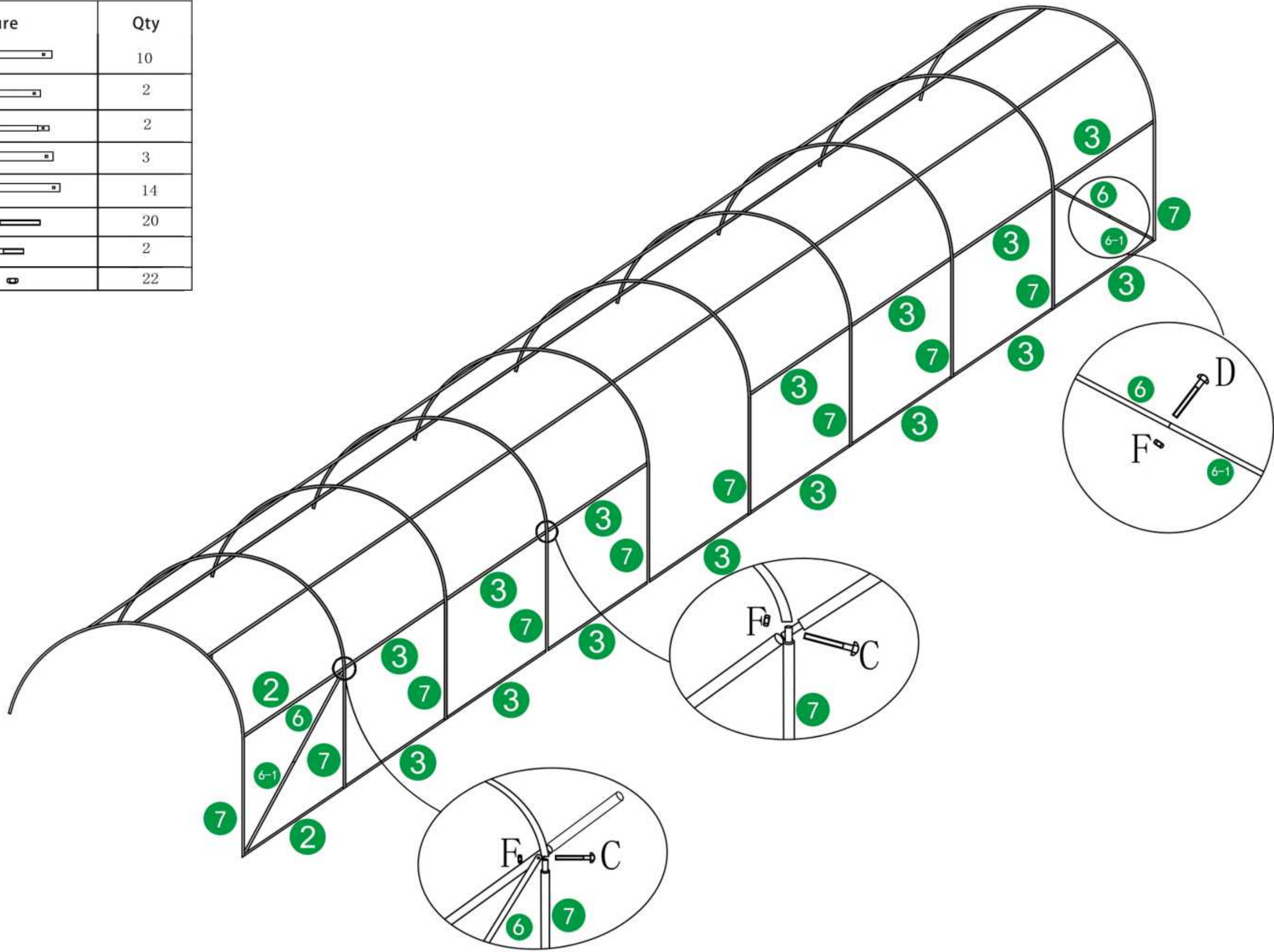
All arch pipes used for this step are part 1.



HARDWARE

Part List	Picture	Qty
7		10
6		2
6-1		2
2		3
3		14
C		20
D		2
F		22

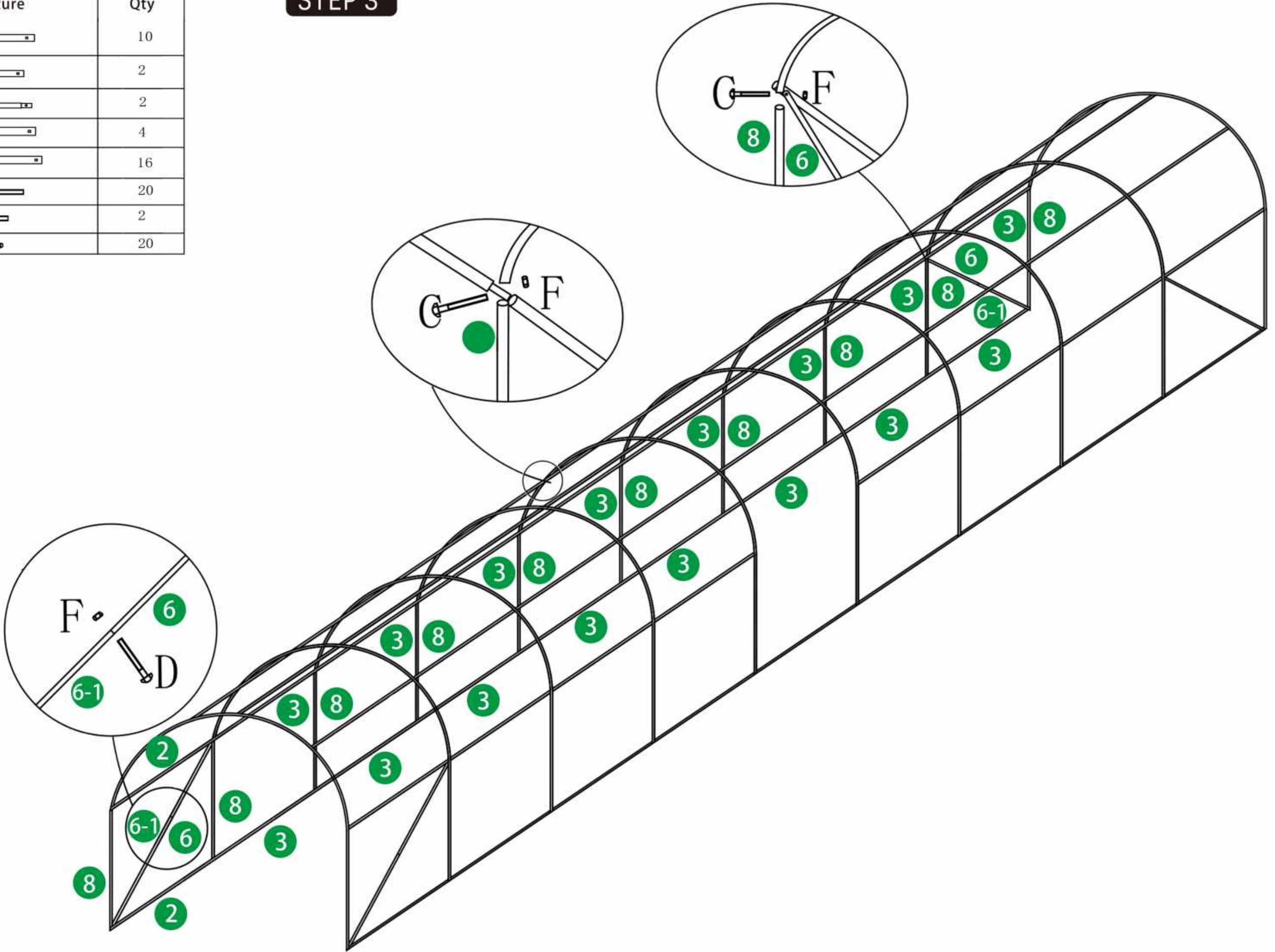
STEP 2









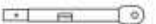




HARDWARE

Part List	Picture	Qty
8		10
6		2
6-1		2
2		4
3		16
C		20
D		2
F		20

STEP 3

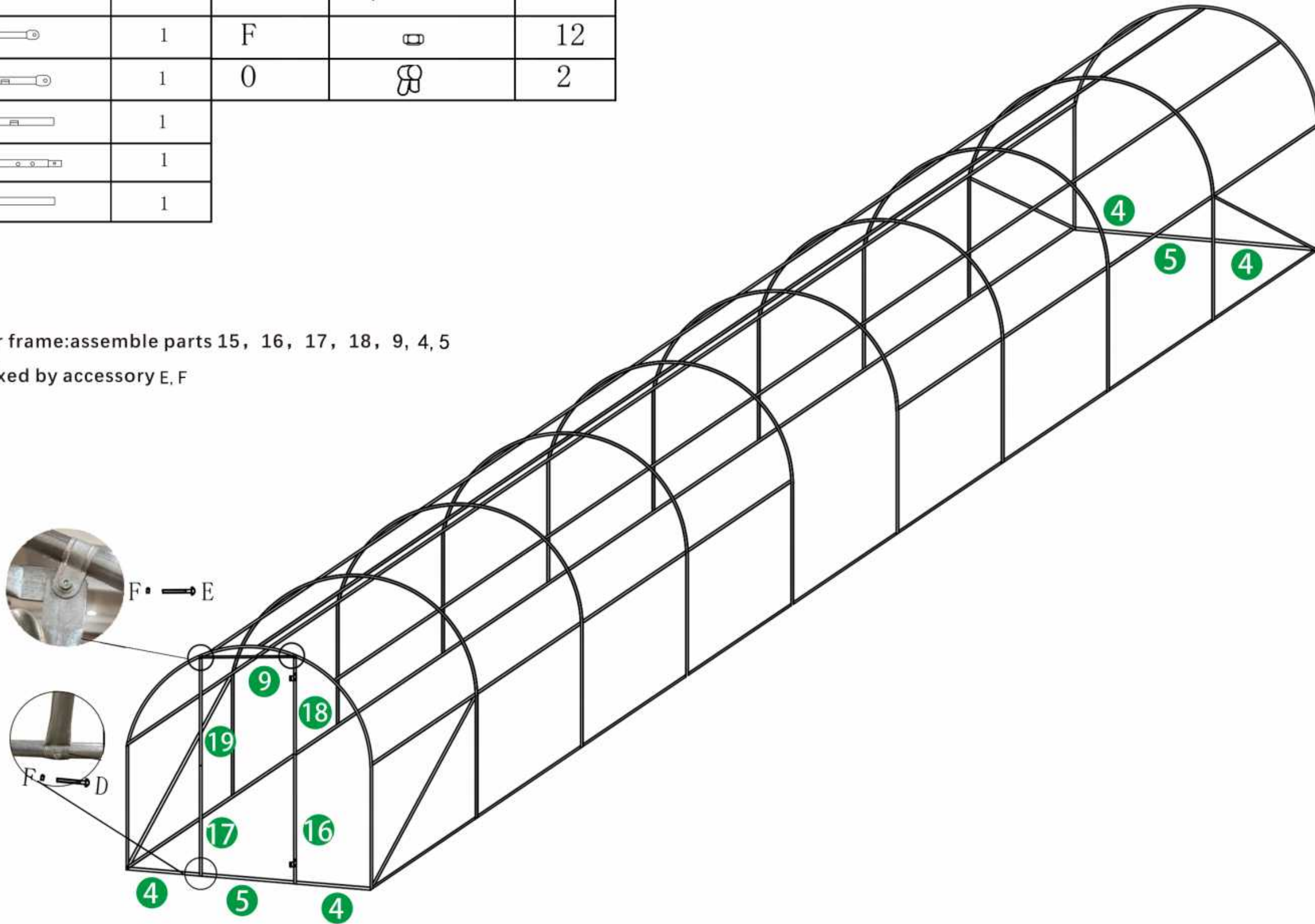


HARDWARE

Part List	Picture	Qty	Part List	Picture	Qty
4		4	D		6
5		2	E		2
9		1	F		12
15		1	0		2
16		1			
17		1			
18		1			

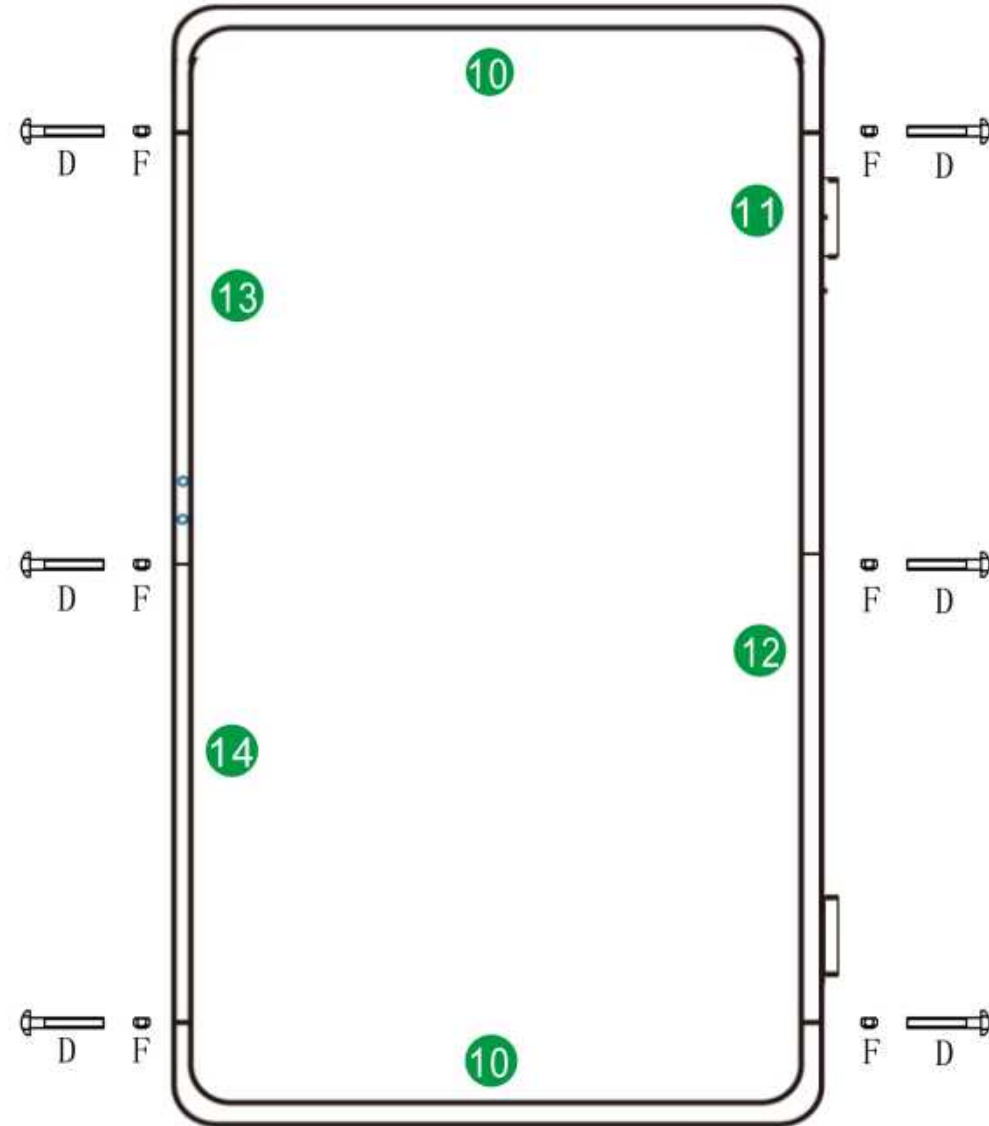
STEP 4-1

4-1: install the door frame: assemble parts 15, 16, 17, 18, 9, 4, 5
the top of frame is fixed by accessory E, F



HARDWARE






Part List	Picture	Qty	Part List	Picture	Qty
10		2	14		1
11		1	D		6
12		1	F		6
13		1			



STEP 4-2

4-2: install the door: assemble parts 10 (2) , 11, 12, 13, 14; connected by 6pcs of screws D
 Put the door PE cover to the door, open part at right (11,12)side.
 Notice: Need to cut some cloth out at hinged parts for beauty and better seal.
 The location of film clips J refers to STEP 6

HARDWARE

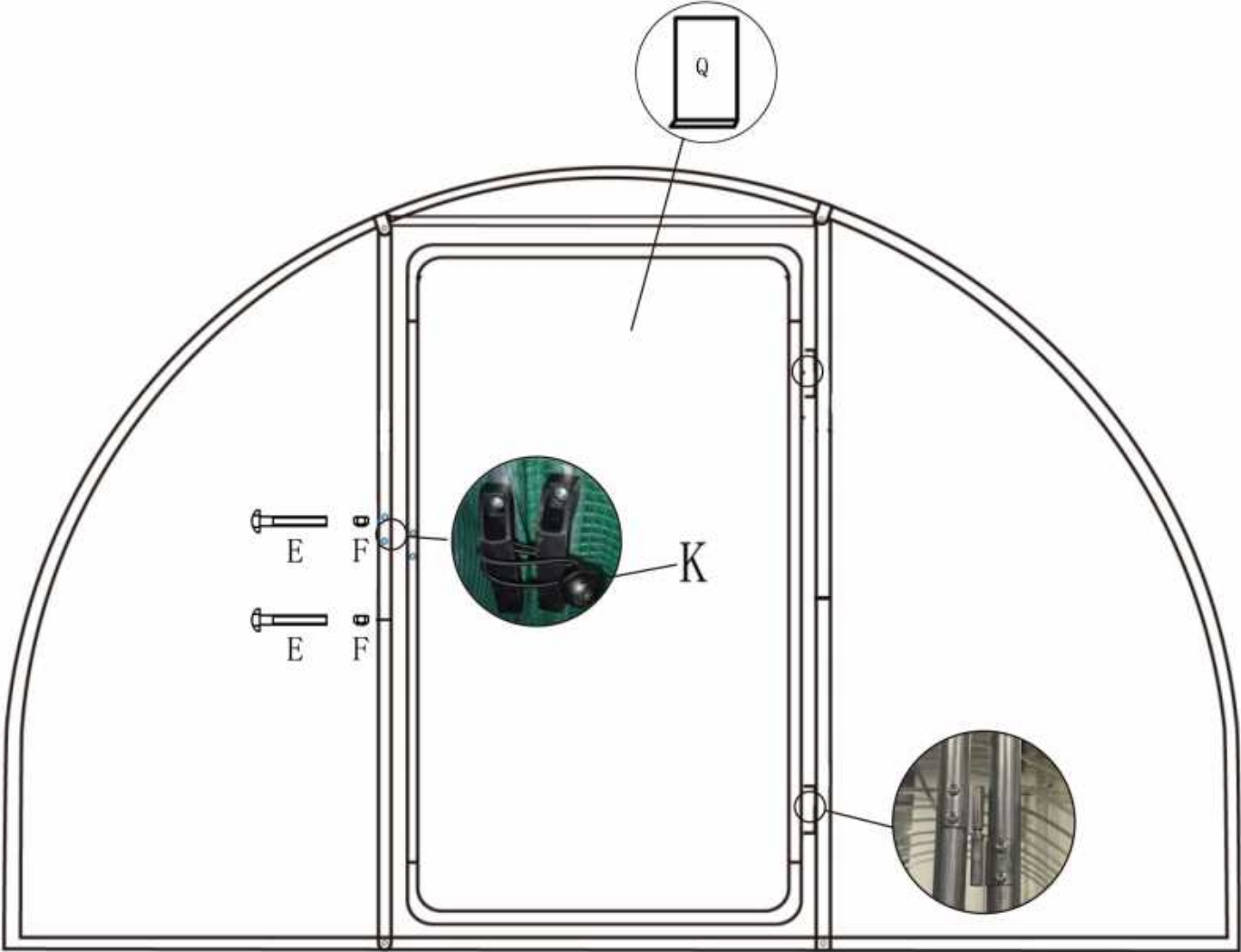
Part List	Picture	Qty	Part List	Picture	Qty
A		1	K		2
Q		1	E		4
			F		4

STEP 4-3


4-3: Put the door to the door frame; Use H accessory to connect the 2 hinged parts.

Install the door handle(Q), fix it with 4pcs of screws E.

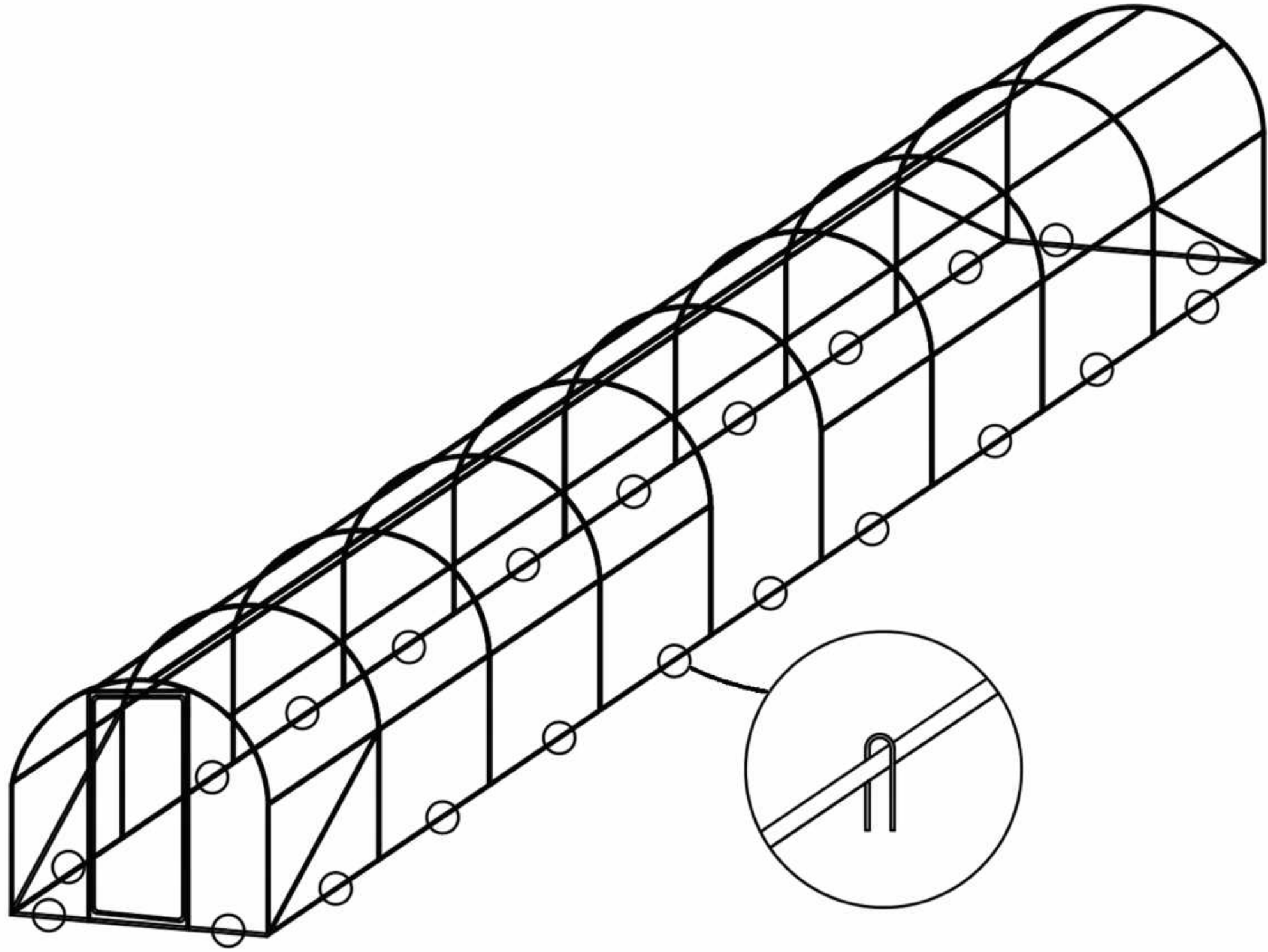
If not clear, please contact support@wepatio.com for detailed installation video



HARDWARE

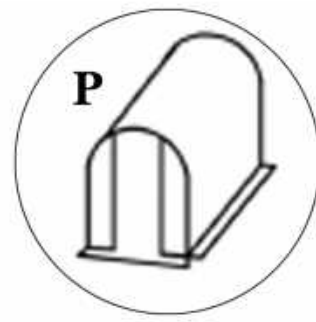
Part List	Picture	Qty
I		22

STEP 5



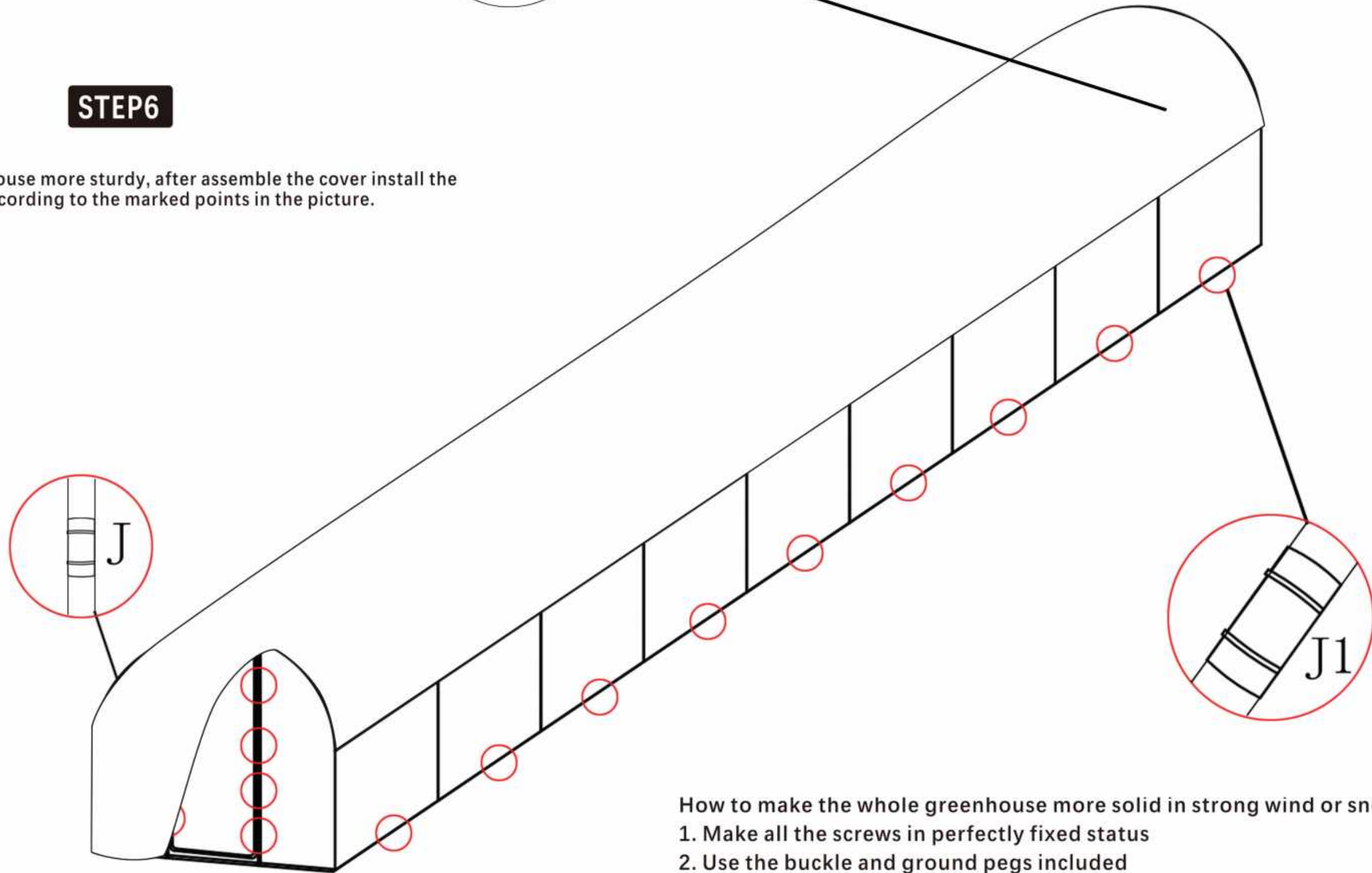
HARDWARE

part List	Qty
J	16
J1	16
P	1



STEP 6

To make the greenhouse more sturdy, after assemble the cover install the pressed film clips according to the marked points in the picture.



How to make the whole greenhouse more solid in strong wind or snow?

1. Make all the screws in perfectly fixed status
2. Use the buckle and ground pegs included
3. Dig a trench at the bottom of the frame, and bury the bottom steel pipe and cover with soil (this way is very efficient)
4. Let the whole greenhouse against the wall
5. Keep the door closed when not using

HELP CENTER

Thank you for choosing Amerlife to be a part of your life. We value your business, and constantly strive to provide you only top-quality products and services. Contact us if we can be of further assistance, we'd love to hear your advice.

Our E-mail address: support@wepatio.com



Warm Tips:

- 1.If you need any help or received damaged or missing parts, please feel free to contact Amerlife customer support email: support@wepatio.com
- 2.Please check the pack content before attempting to construct the greenhouse.
- 3.Read the manual carefully and familiarise yourself with the procedure before assembling it.
- 4.Please do not locate the product in the area exposed to excessive winds.
- 5.It is recommended that the greenhouse to be assembled by at least two people.



WARNING

Manufacturer and seller expressly disclaim any and all liability for personal injury, property damage, or loss, whether direct, indirect, or incidental, resulting from the incorrect attachment, improper use, inadequate maintenance, or neglect of this product.