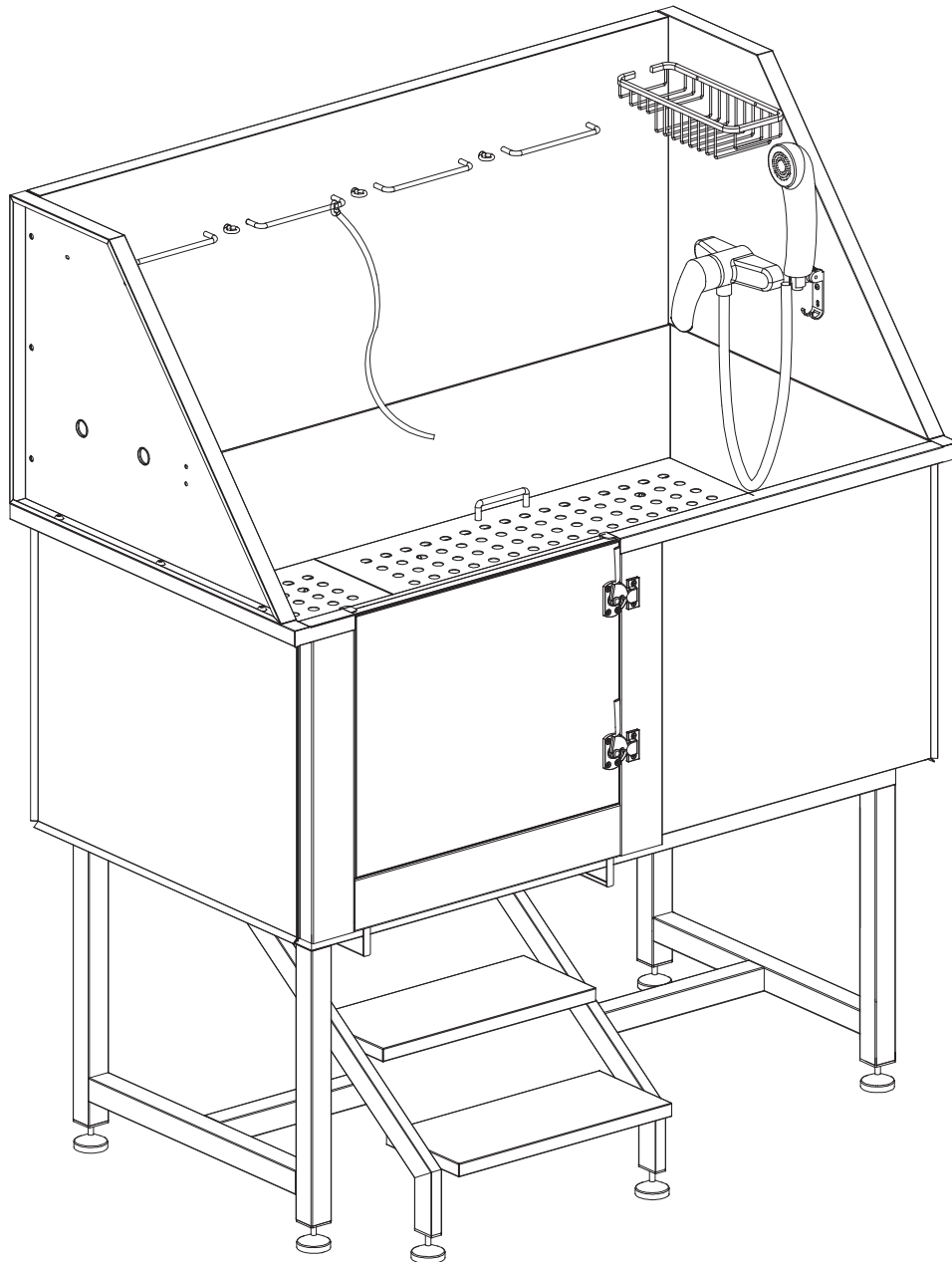


50 inch pet bathtub

SKU:GYG001=1E0A1 GYG001=1E0A2

Assembly Instructions -Please keep for future reference

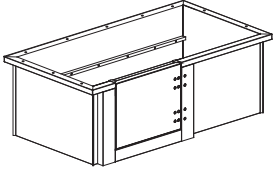
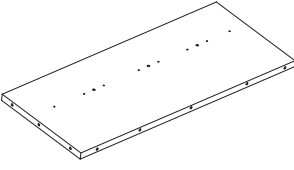
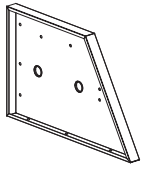
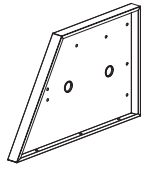
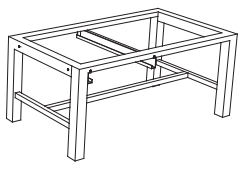
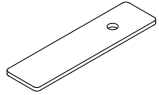
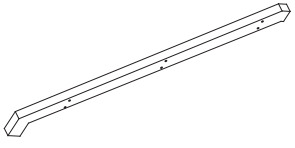
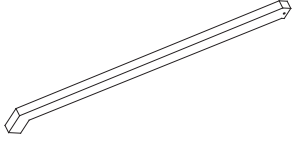
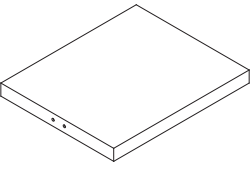
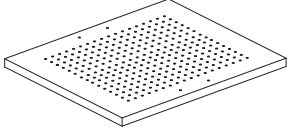
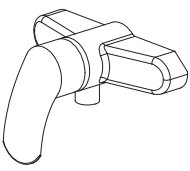
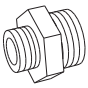





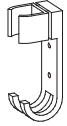




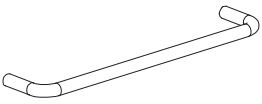
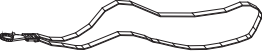
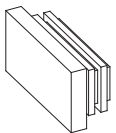
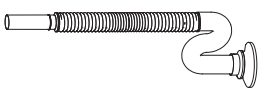

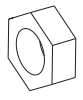
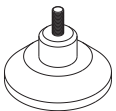


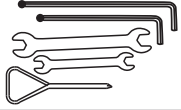
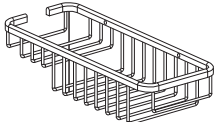
Any question please feel free to contact us:
support@albott-us.com TEL:(901) 347-2181
We will provide further assistance within 24 hours.

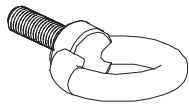

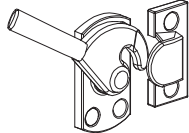
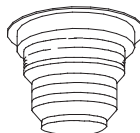
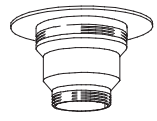






Important - Please read these instructions fully before starting assembly

IMPORTANT, RETAIN FOR FUTURE REFERENCE: READ CAREFULLY

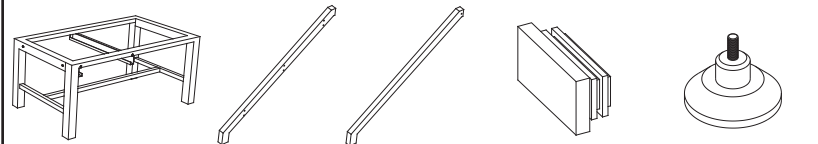
1. When installing water pipes, all external wire joints should be wrapped with raw tape 4-6 times to effectively prevent water leakage.
2. Before installation, please ensure that the ground is level, sturdy, and free of obstacles. This will prevent the bathtub from tilting or becoming unstable.
3. Check pipe connections: Before installation, inspect and ensure that the connections for the water pipes and drainage pipes are secure, with no leakage or seepage.
4. Test water flow and drainage: After the installation is complete, turn on the faucet and drain hole to test if the water flow and drainage are normal. If there is leakage or poor water flow, further inspection and adjustment are required.
5. After installation is complete, always ensure that all components are intact and securely fixed.
6. Cleaning and maintenance: After installation is complete, regularly clean and maintain the bathtub to keep it in good sanitary condition and help extend its service life.
7. Do not exceed the weight capacity.

Item no.	Reference Image	Description	Qty.	Item no.	Reference Image	Description	Qty.
1		Bathtub	X1	2		Top back	X1
3		Left top plate	X1	4		Right top plate	X1
5		Bottom frame	X1	6		Ladder stopper	X2
7		Ladder side frame(L)	X1	8		Ladder side frame(R)	X1
9		Ladder bulkhead	X3	10		Septum	X2
A1		Shower switch	X1	A2		Splice	X2
A3		Gasket	X2	A4		Silicone gasket	X2
A5		Stainless steel gasket	X2	A6		Water pipe	X2
B1		Hole plug	X2	B2		Shower holder	X1
B3		Shower head	X1	B4		Water pipe	X1

Item no.	Reference Image	Description	Qty.
C1		Pet chain fastener	X4
C3		Pet chain	X1
D2		Cap	X2
F1		Sewer pipe	X1
F3		Rubber tape	X1
G1	 M5	Nut	X3
H		Adjusting foot	X6
K2	 M8 X 12mm	Screw	X21
K4	 M4 X 8mm	Screw	X24
L		Installation tool	X1
O		Drain basket	X1

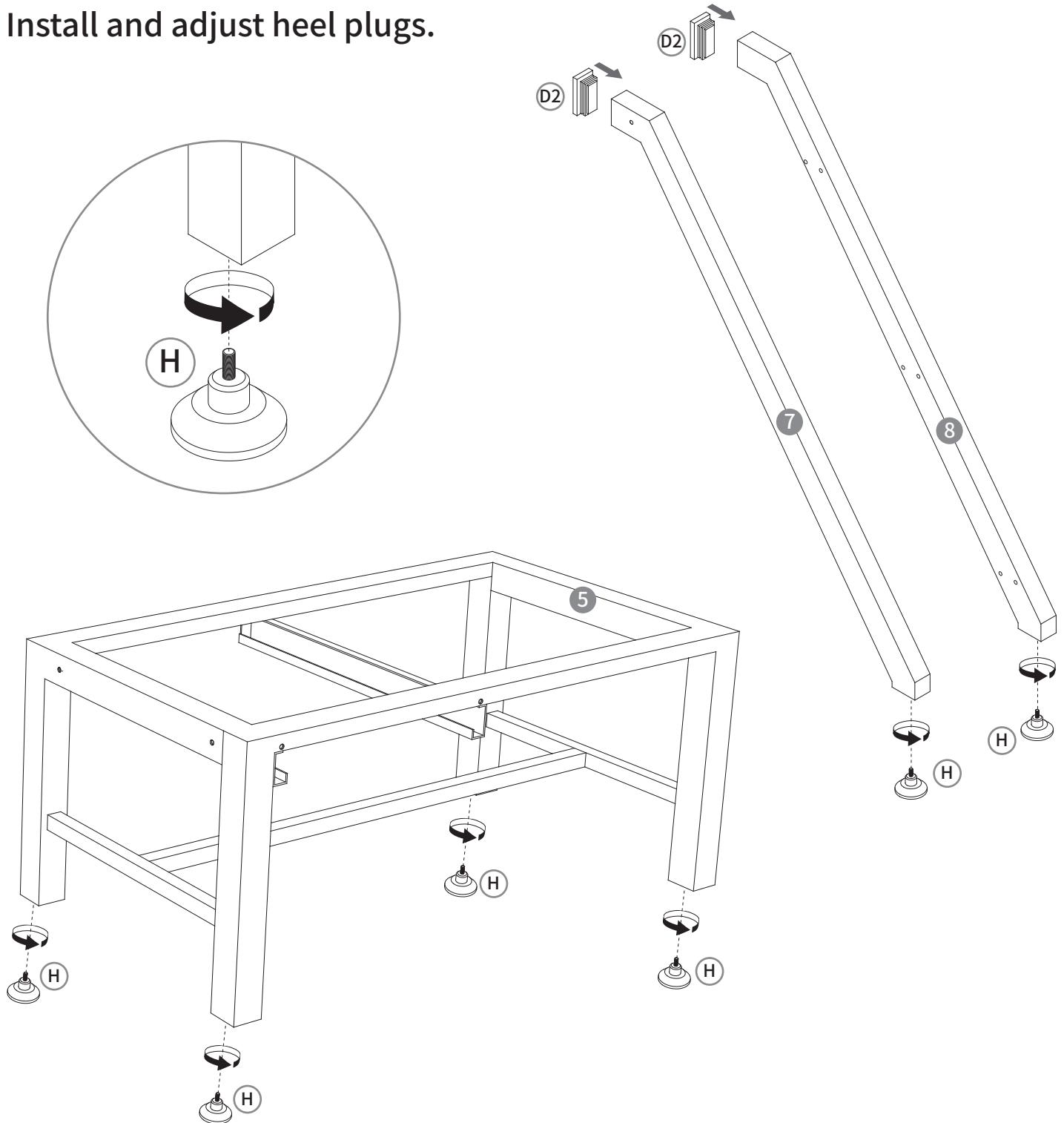
Item no.	Reference Image	Description	Qty.
C2		Pet chain fastener	X3
D1		Pulley	X2
E		Latch	X2
F2		Sewer fittings	X1
F4		Sewer fittings	X1
G2	 M4	Nut	X4
K1	 M4 X 12mm	Screw	X12
K3	 M4 X 12mm	Screw	X2
K5	 M5 X 10mm	Screw	X8
M		Divider handle	X4
P		Partition non-slip pad	X2

1



⑤1pc ⑦1pc ⑧1pc ②D2 ⑥H

Install and adjust heel plugs.

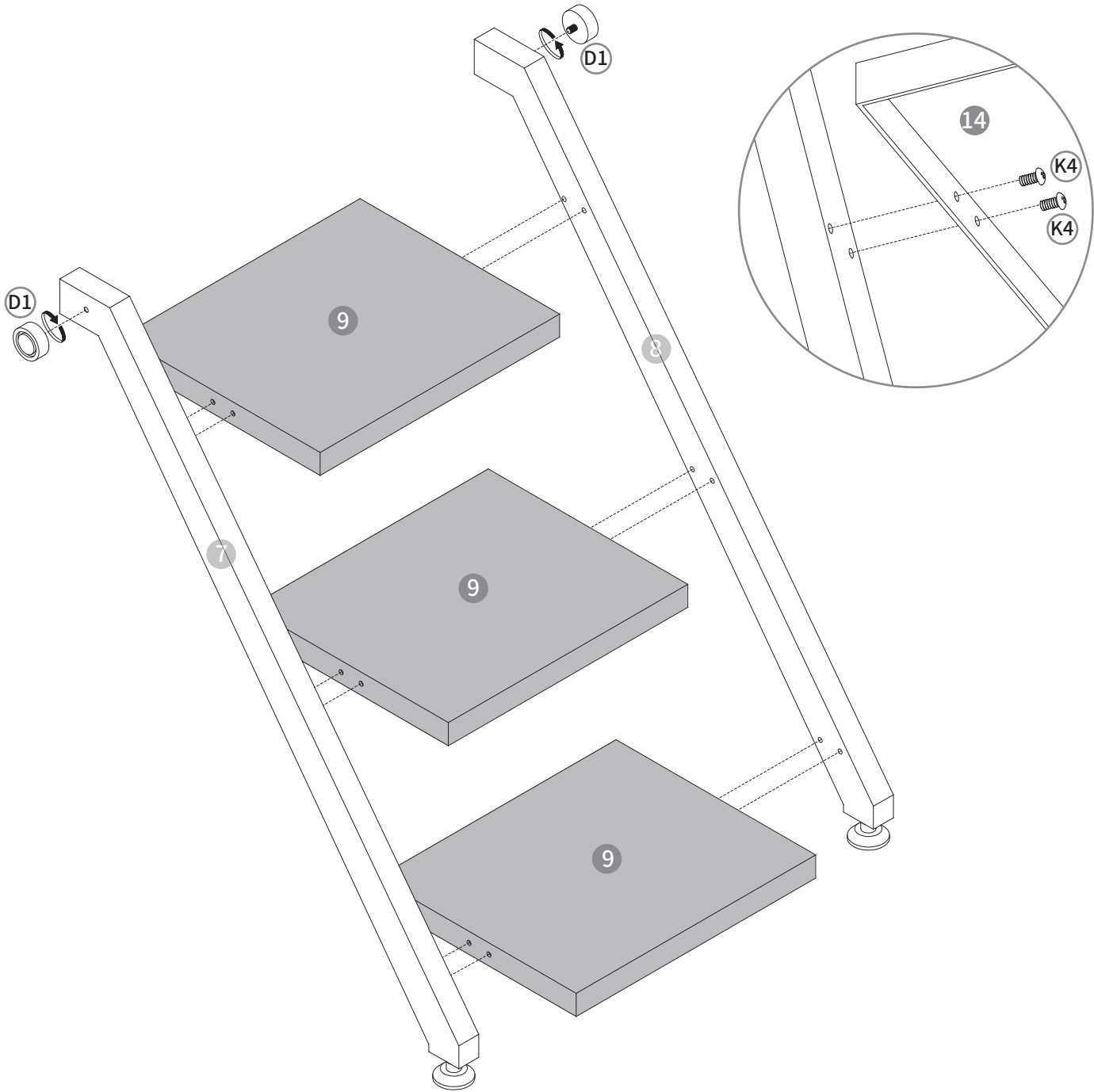


2

D1 2pcs 9 3pcs M4 X 8mm
K4 12pcs

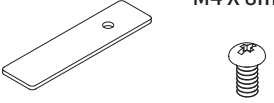
M4 X 12mm M8 X 12mm M4 X 12mm M4 X 8mm M5 X 10mm
K1 K2 K3 K4 K5

Install the ladder.

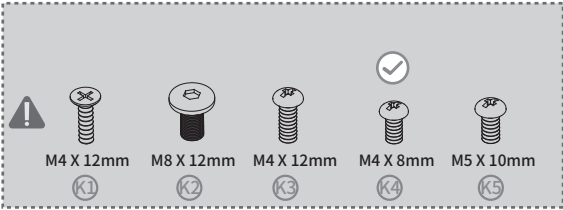


3

M4 X 8mm



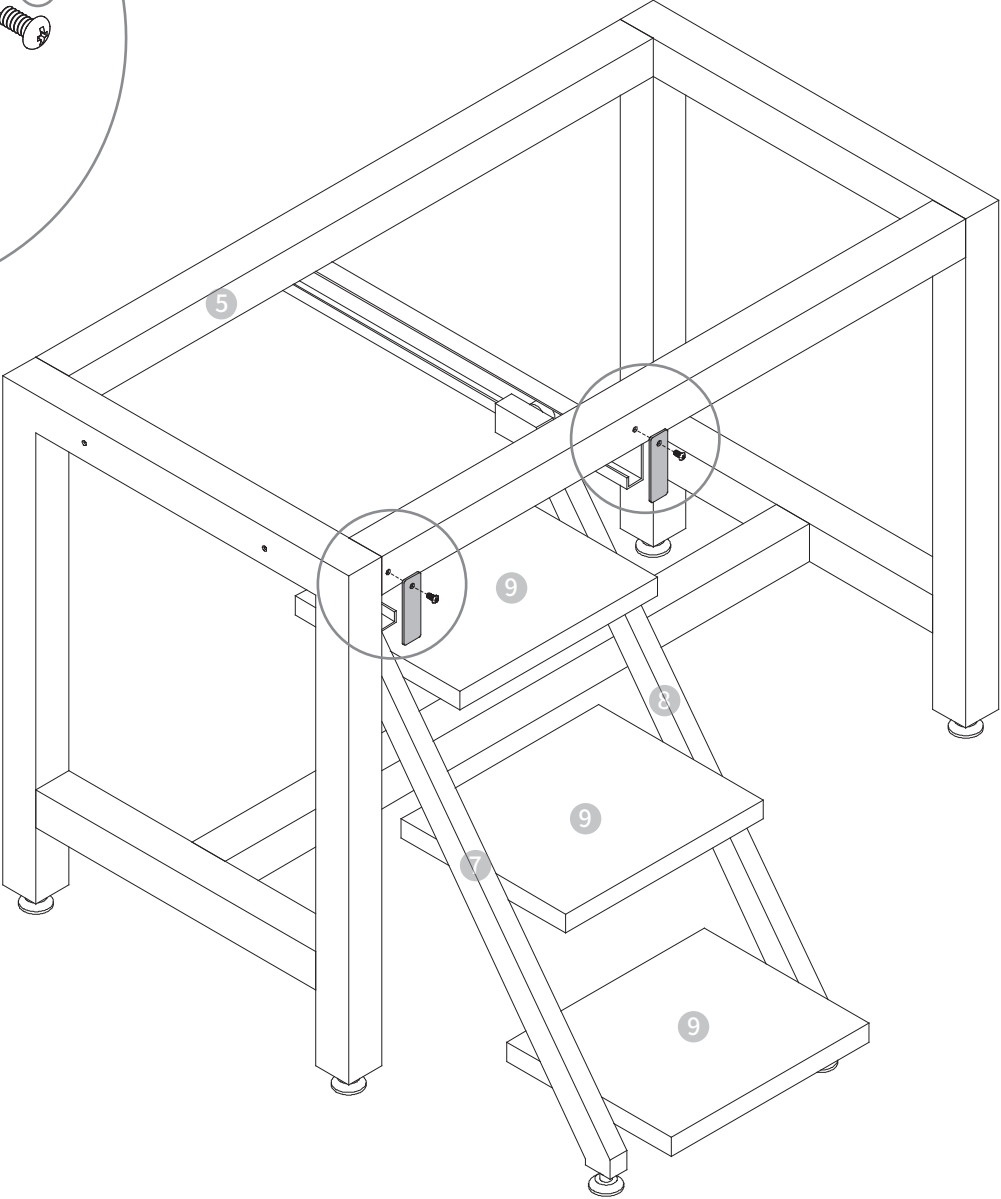
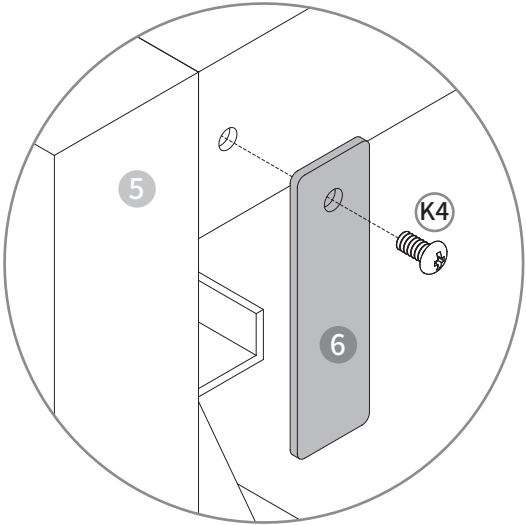
⑥ 2pcs Ⓚ4 2pcs



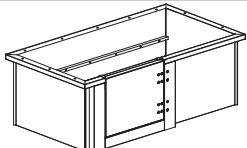
M4 X 12mm M8 X 12mm M4 X 12mm M4 X 8mm M5 X 10mm

Ⓚ1 Ⓚ2 Ⓚ3 Ⓚ4 Ⓚ5


Install the ladder stop.



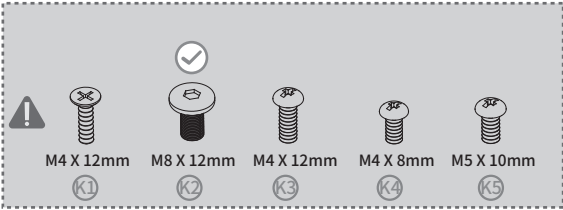
4



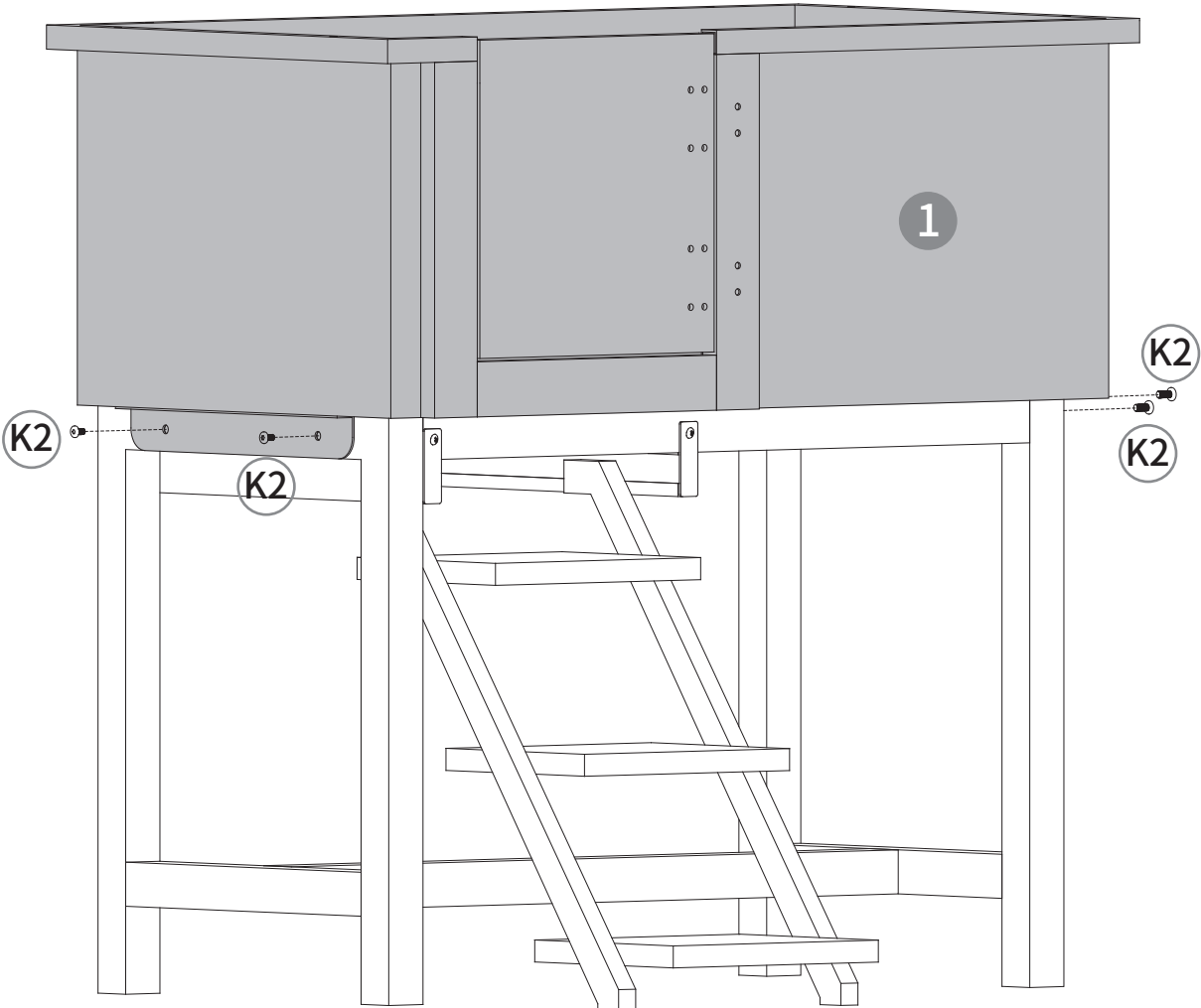
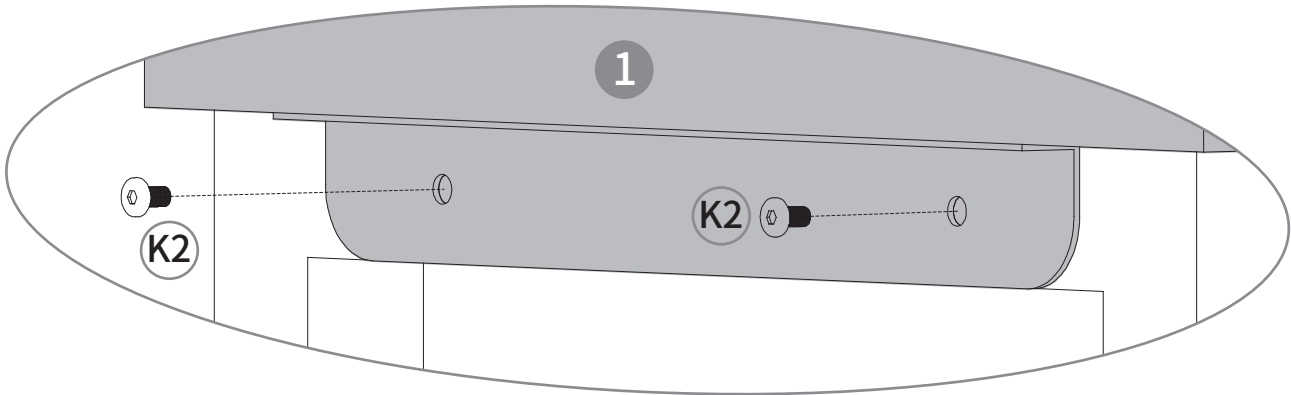
M8 X 12mm



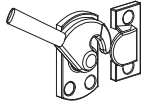
① 1pc ② 4pcs




The bathtub is attached to the bracket.



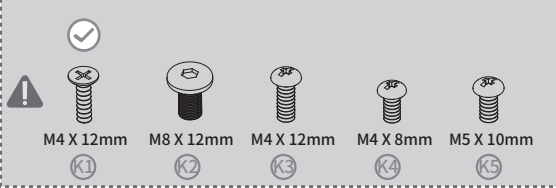
5










M4 X 12mm

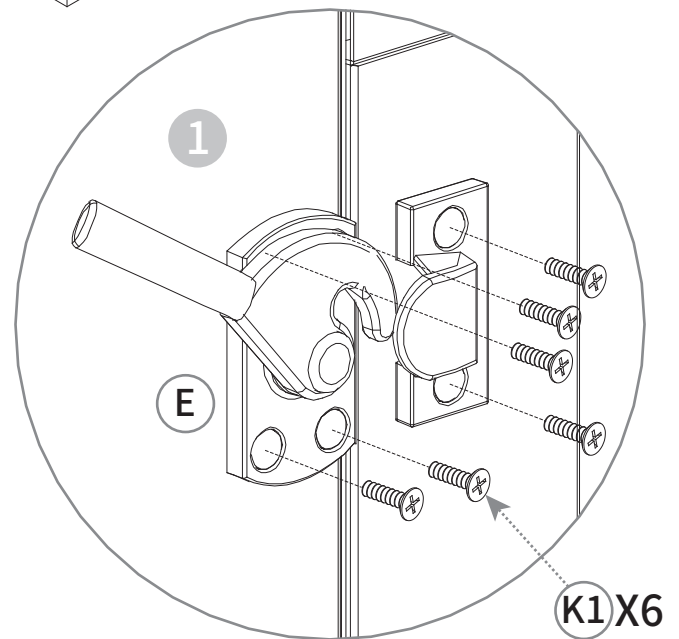
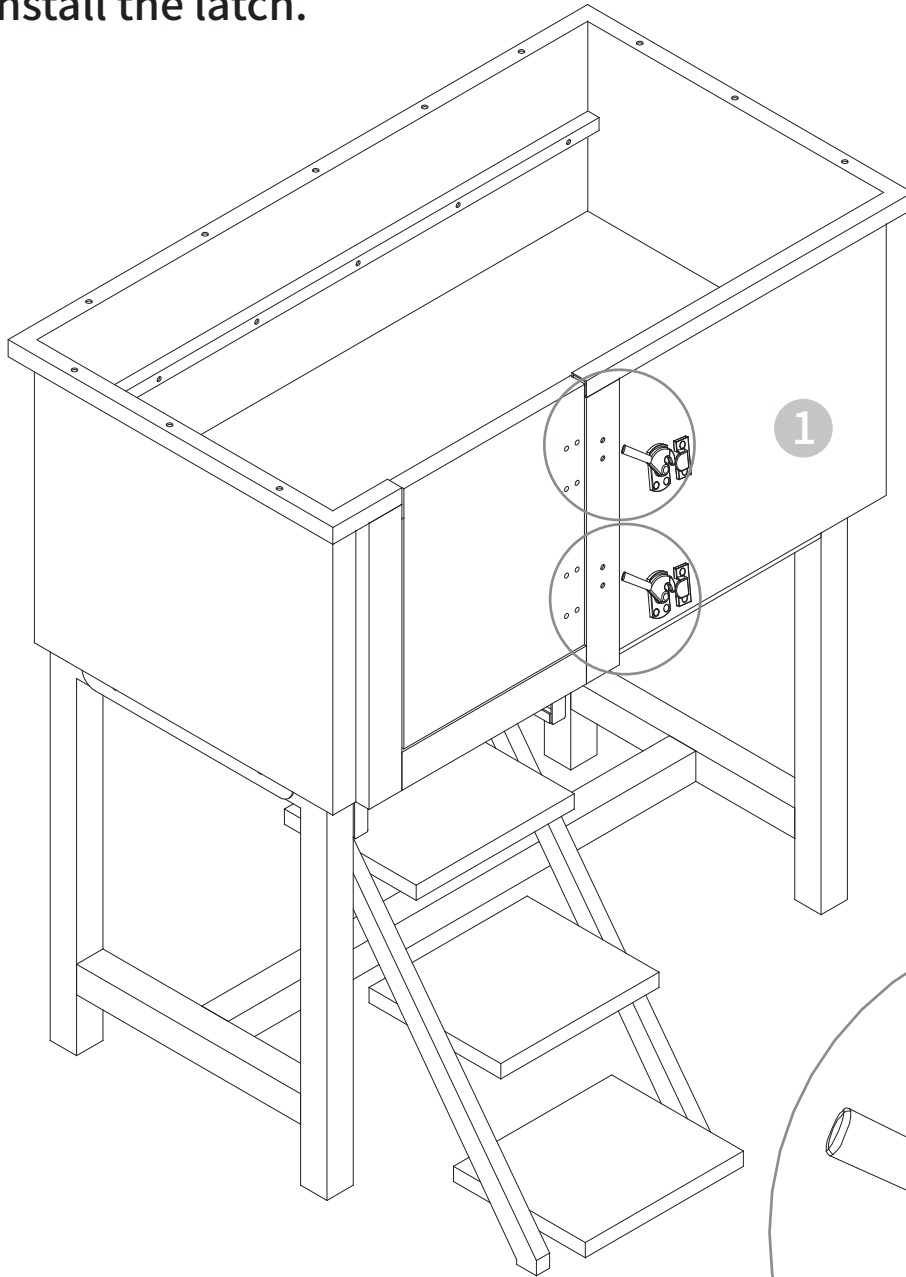


E 2pcs **K1** 12pcs





 M4 X 12mm  M8 X 12mm  M4 X 12mm  M4 X 8mm  M5 X 10mm
K1 **K2** **K3** **K4** **K5**

Install the latch.



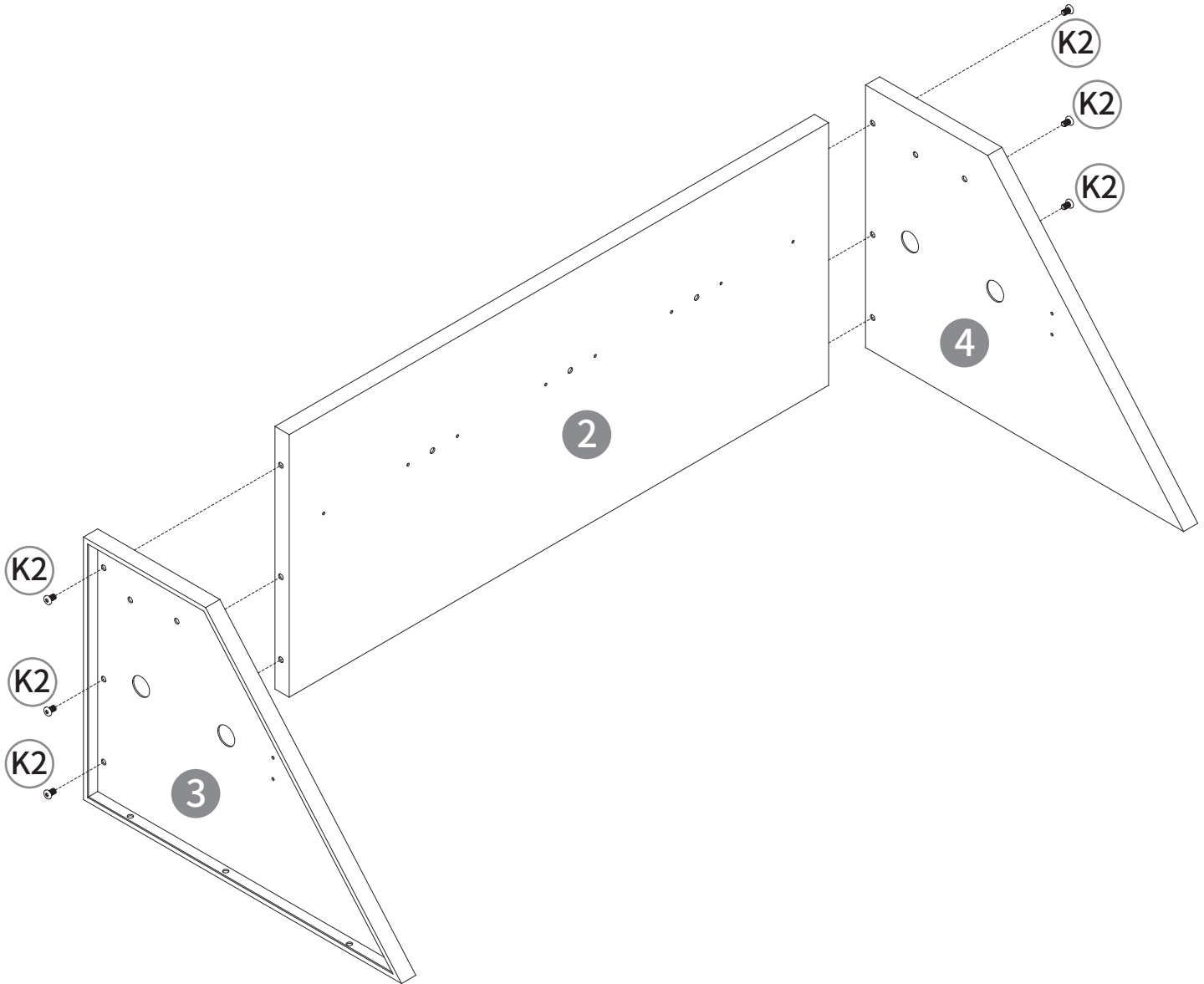
6

② 1pc ③ 1pc ④ 1pc (K2) 6pcs

M8 X 12mm


⚠ M4 X 12mm (K1) ✓ M8 X 12mm (K2) M4 X 12mm (K3) ✓ M4 X 8mm (K4) M5 X 10mm (K5)

Secure top coaming.

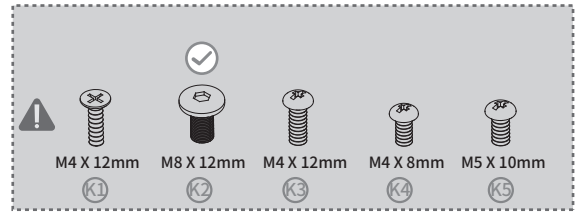


7

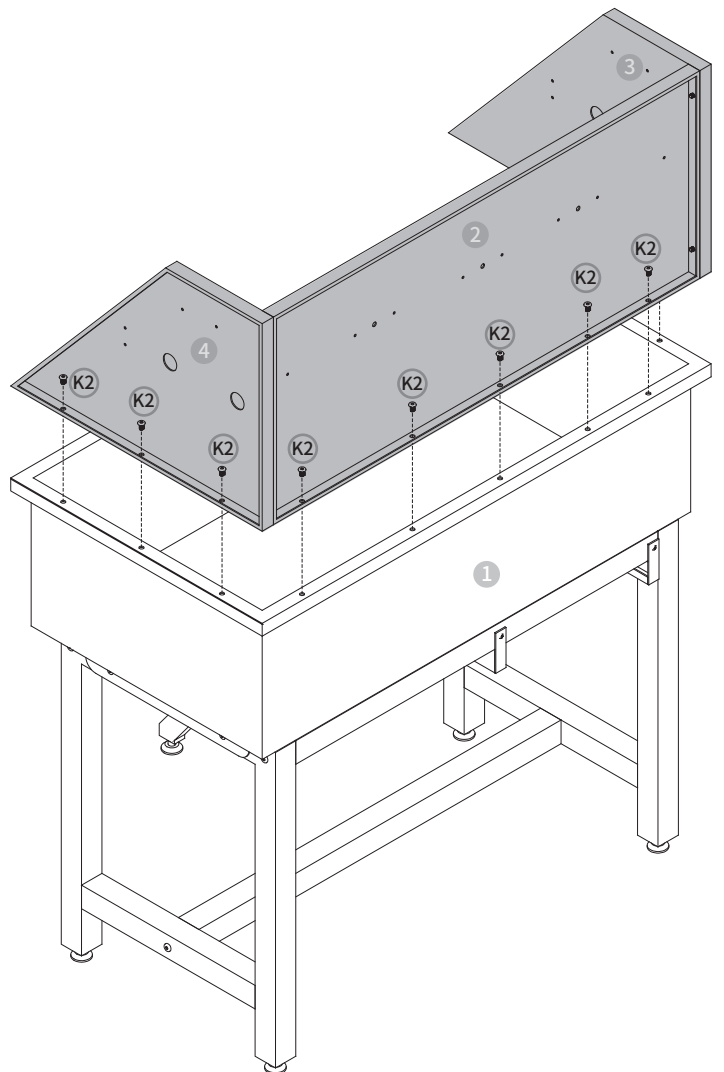
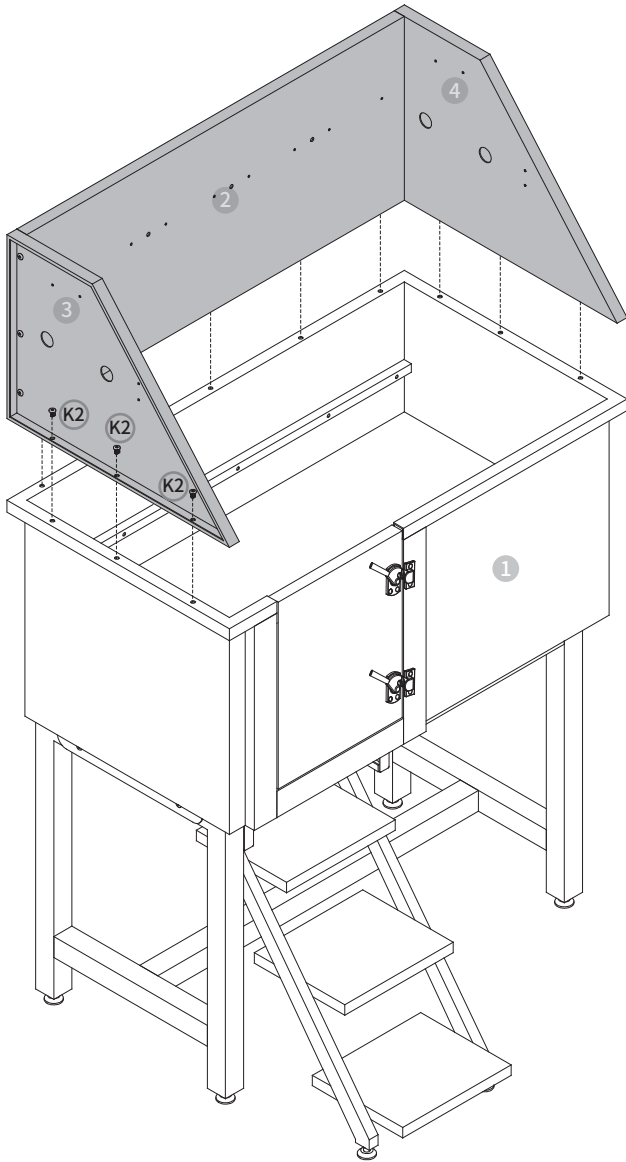
M8 X 12mm



K2 11pcs



The top coaming is attached to the bathtub.



8

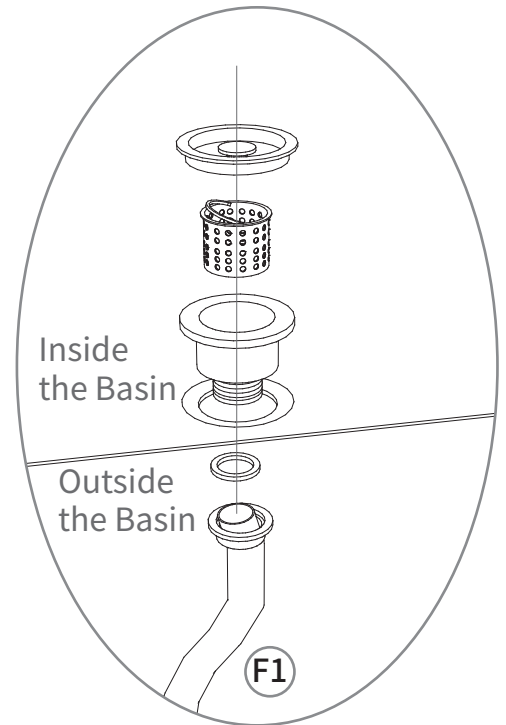
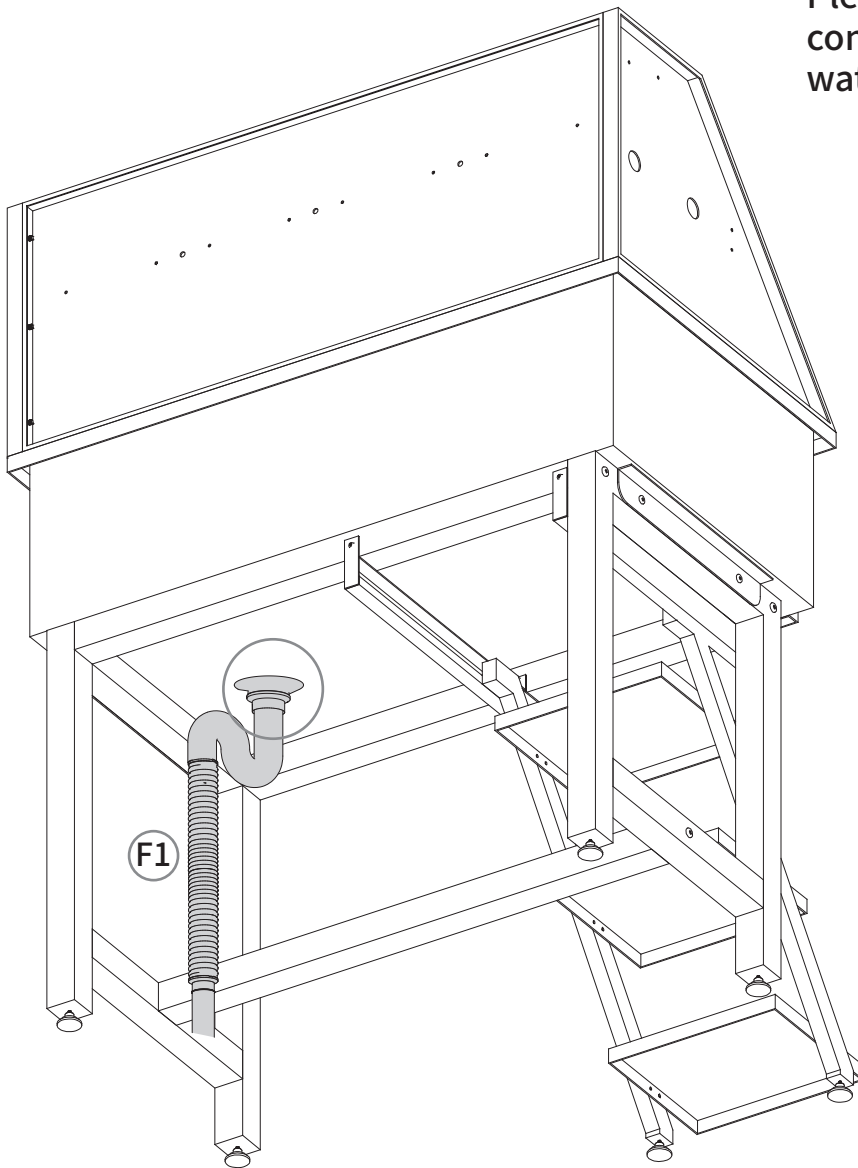


(F1) 1pc (F2) 1pc (F3) 1pc (F4) 1pc

Install sewer lines.



Please apply waterproof tape to the connections of the water pipe for waterproofing protection.



9

M5 X 10mm

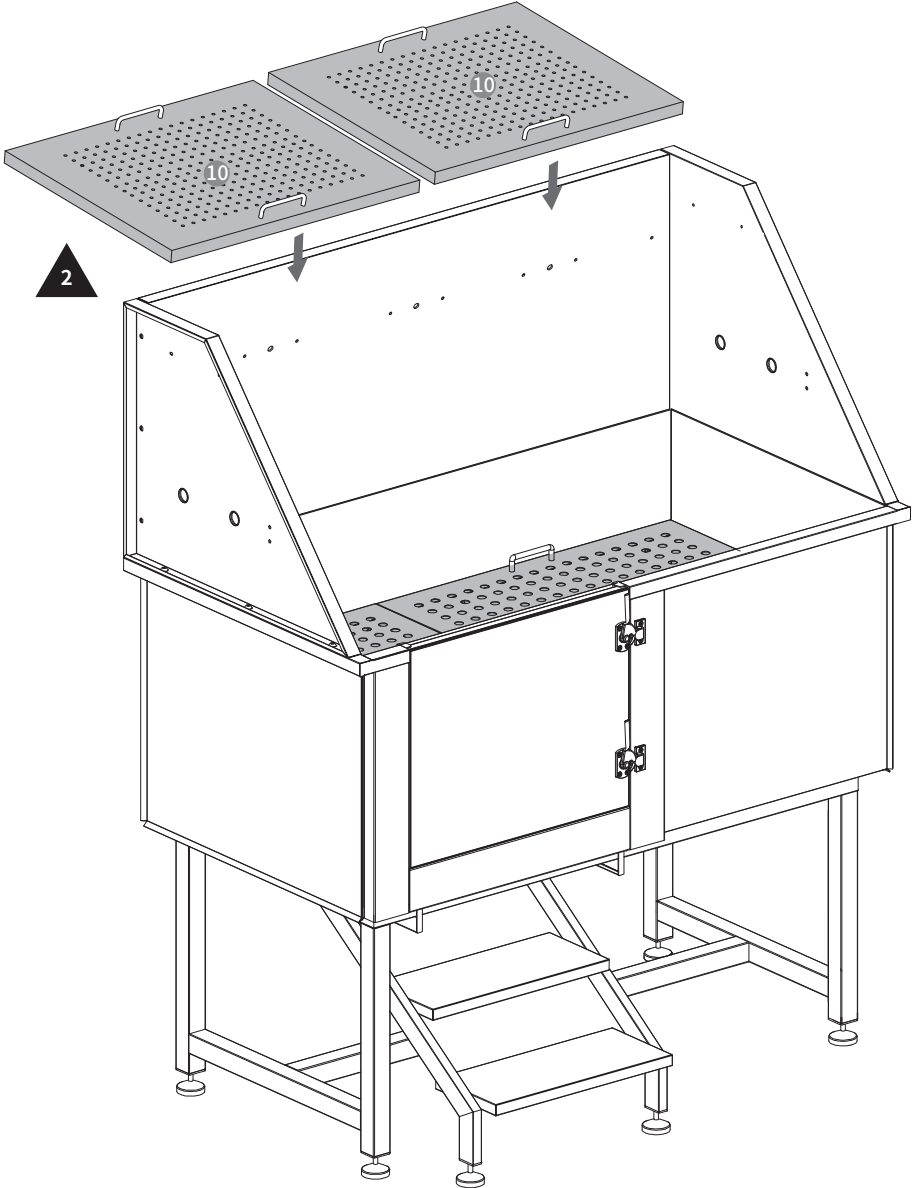
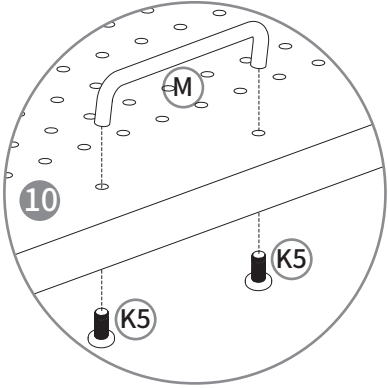
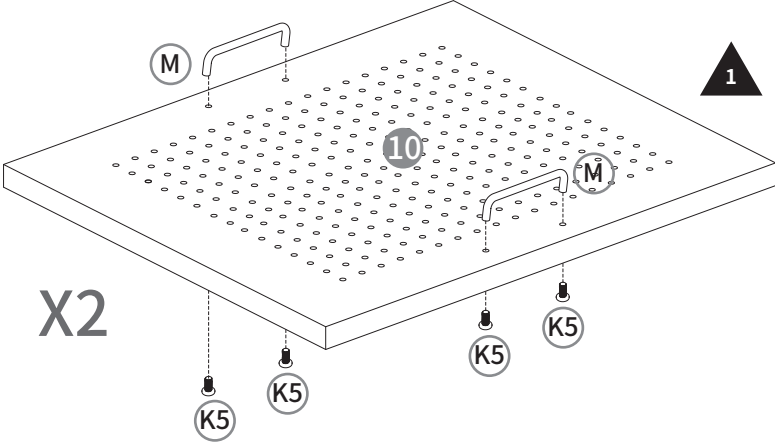
10 2pcs M 4pcs K5 8pcs

! ! ! ! ✓

M4 X 12mm M8 X 12mm M4 X 12mm M4 X 8mm M5 X 10mm

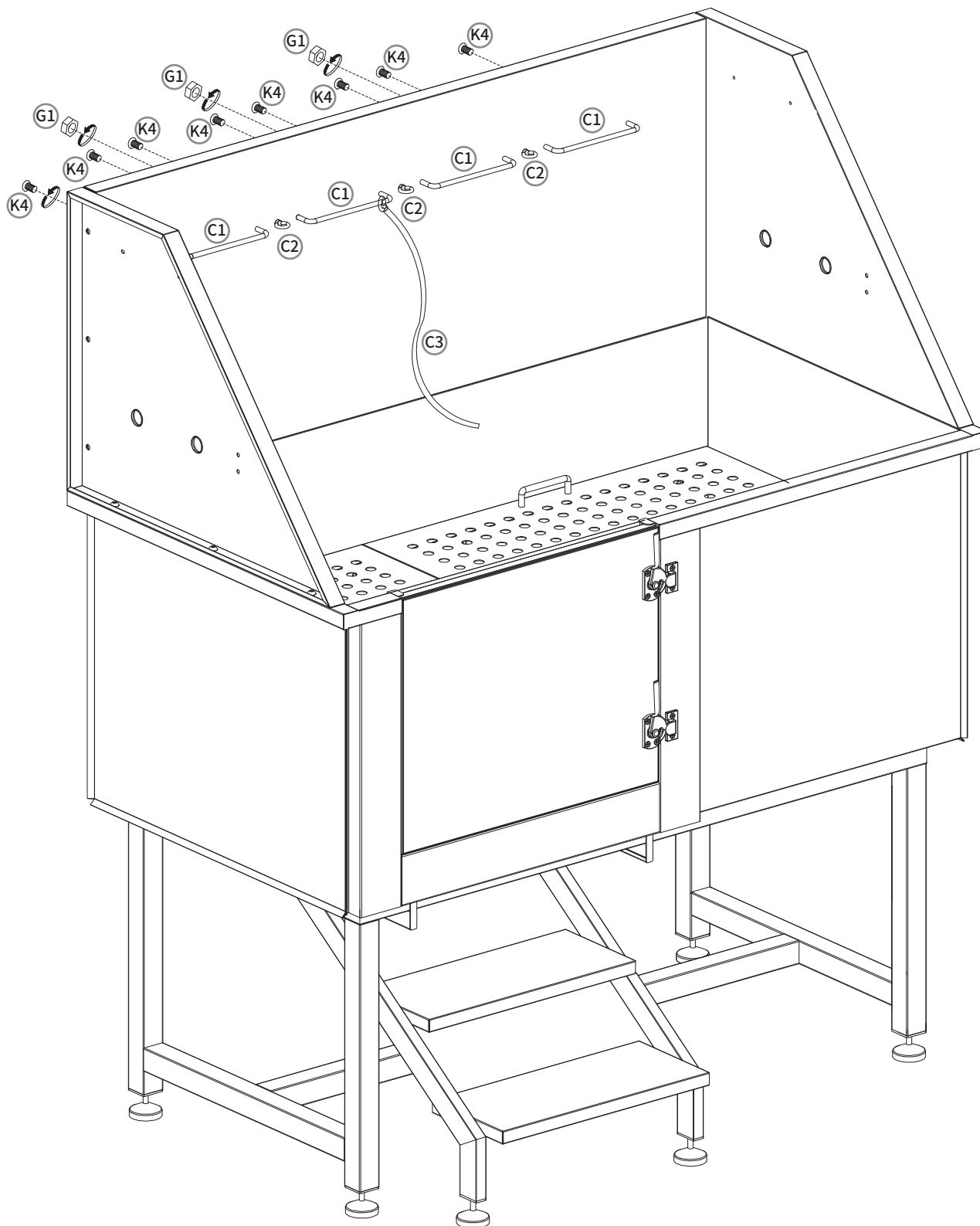
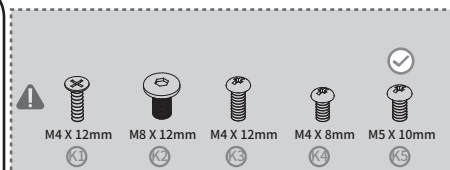
K1 K2 K3 K4 K5

Spacer placement

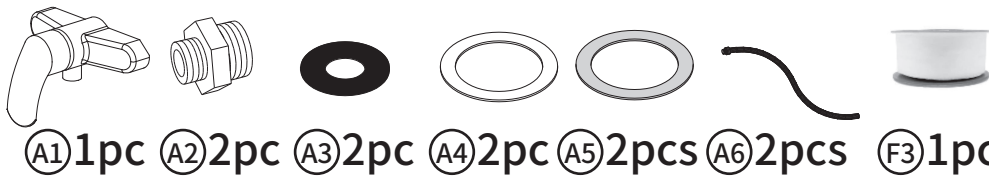


10

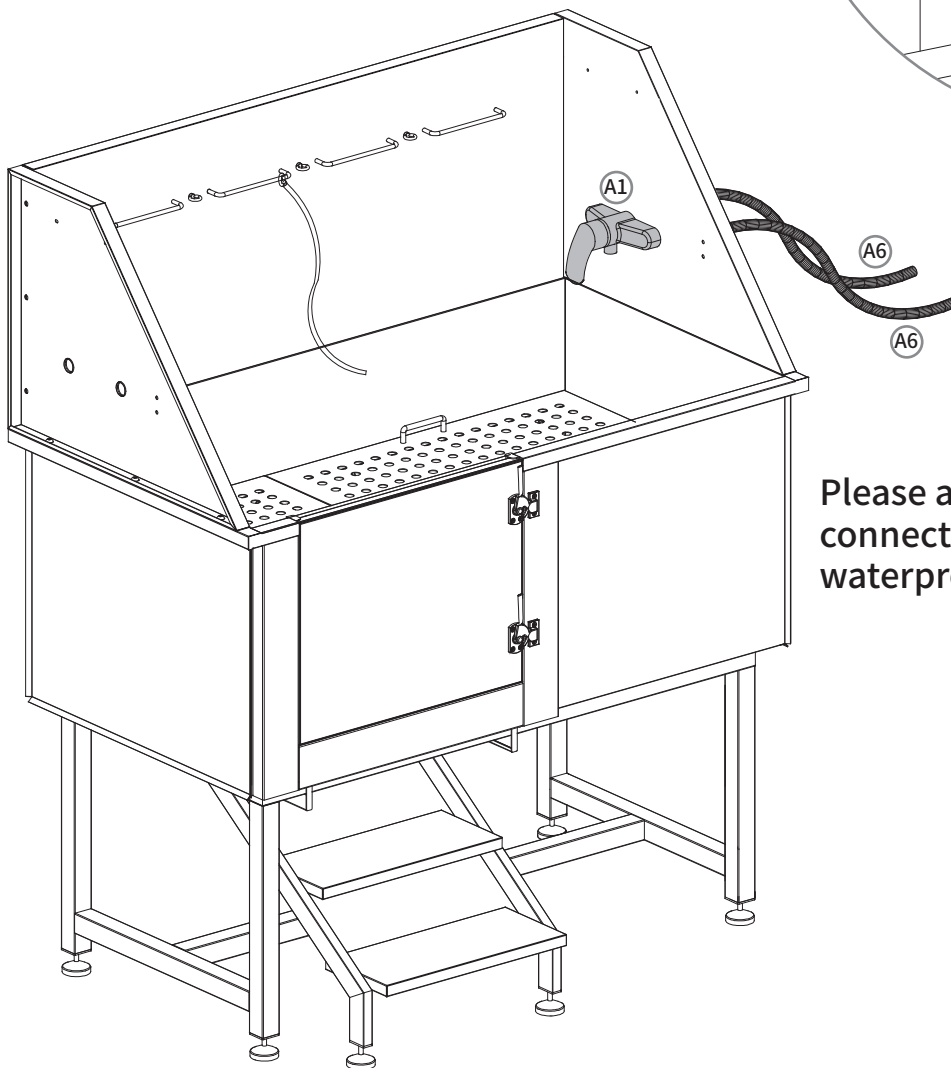
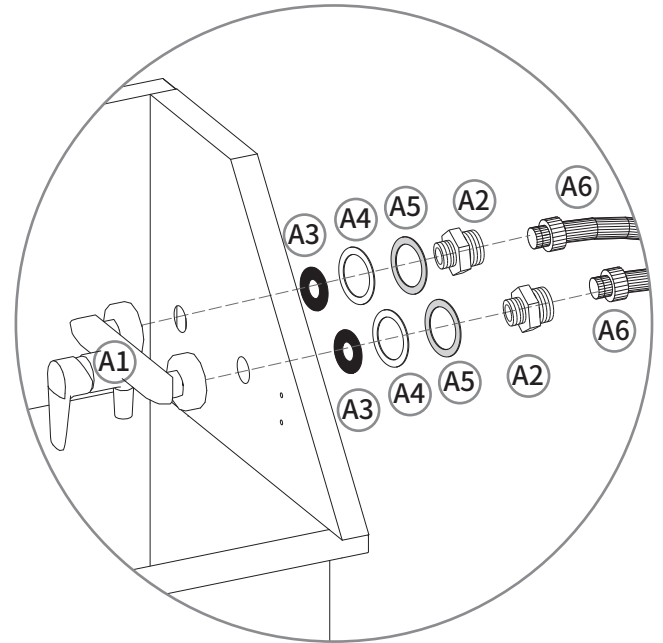
M5 M4 X 8mm
C1 4pcs C2 3pcs C3 1pc G1 3pcs K4 8pcs



11


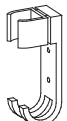

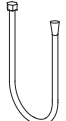




Install shower switch.

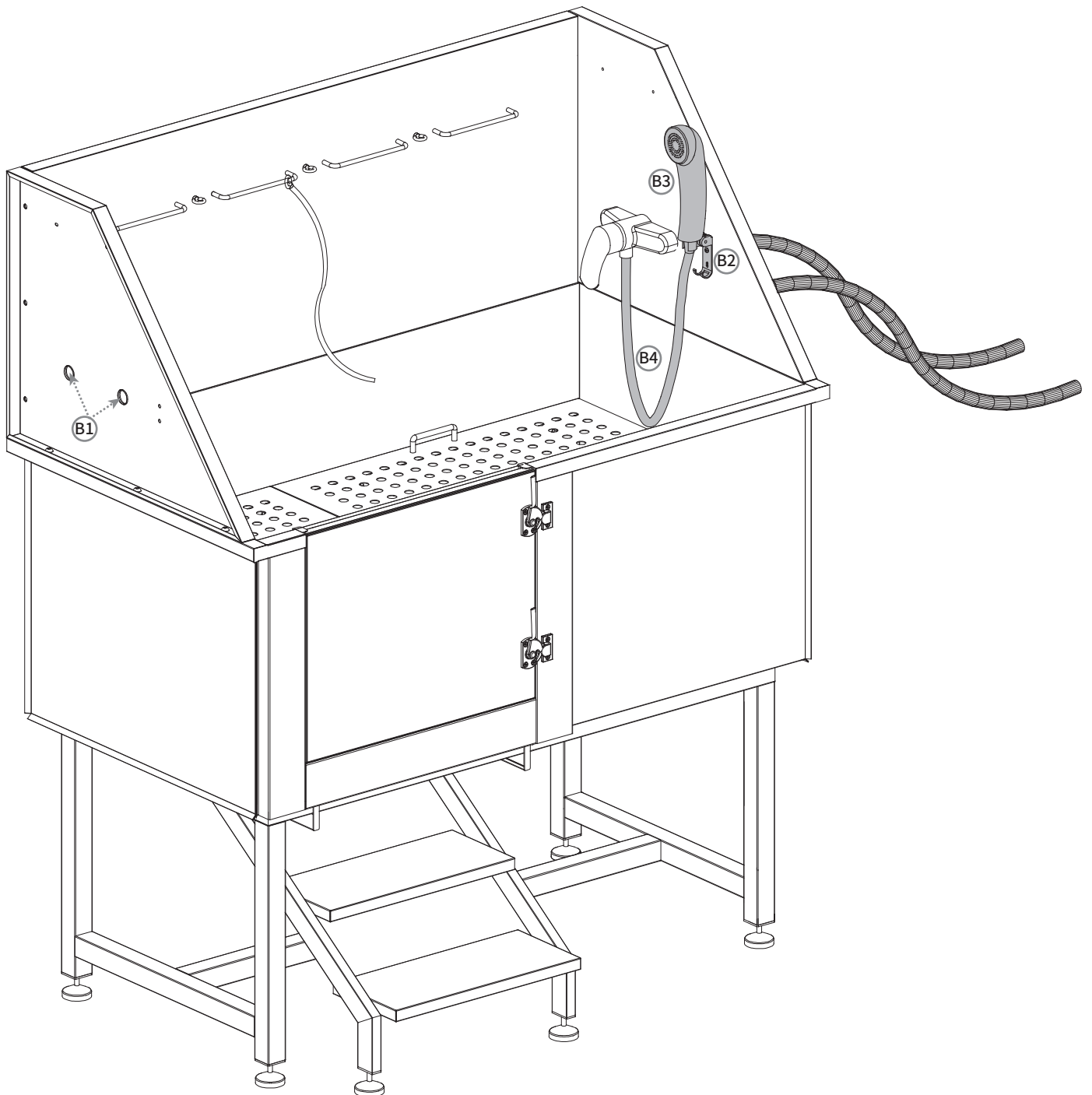
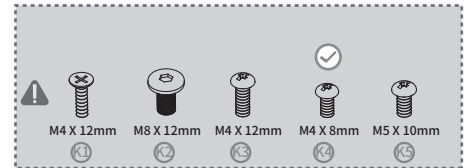


Please apply waterproof tape to the connections of the water pipe for waterproofing protection.

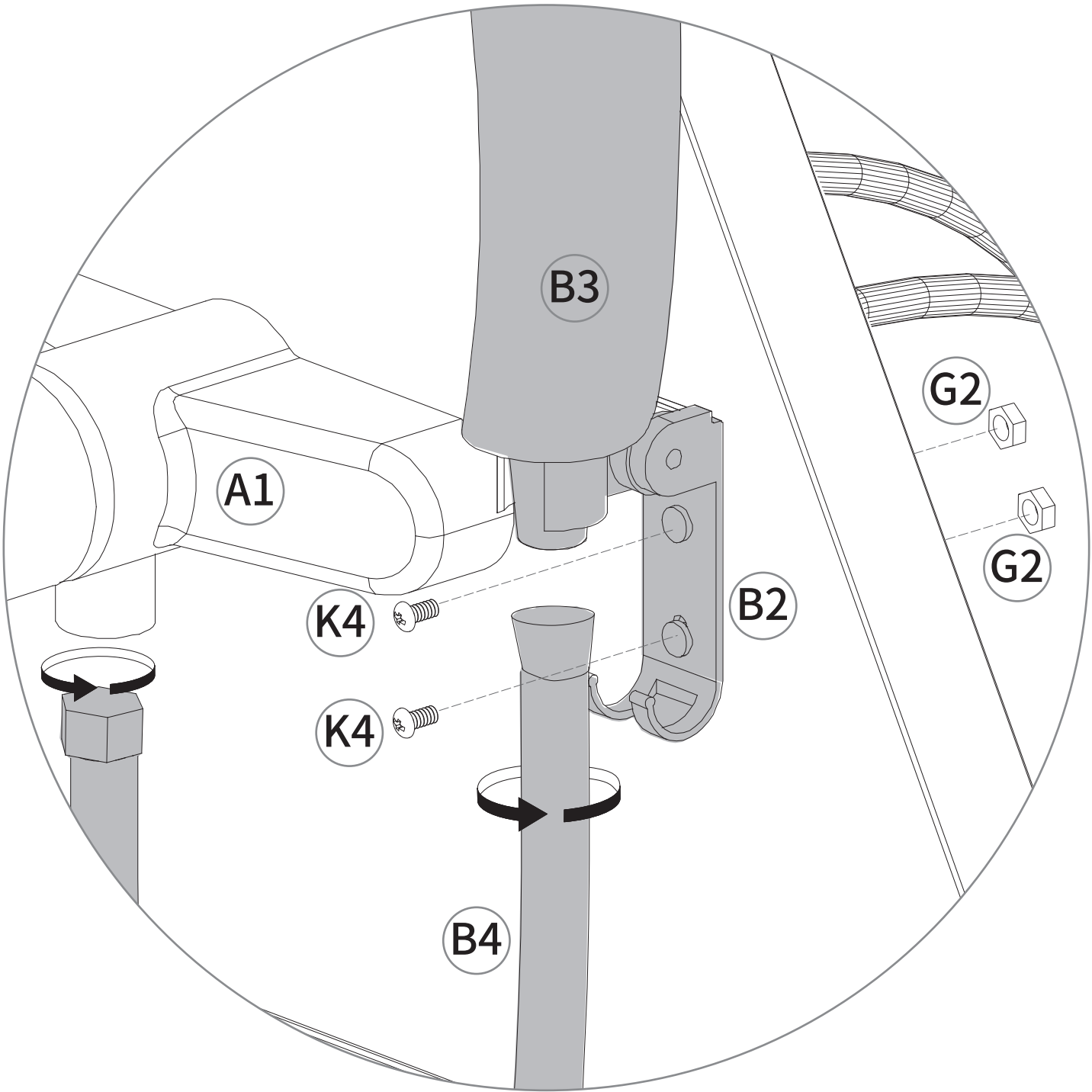
12

-  (B1) 2pcs
-  (B2) 1pc
-  (B3) 1pc
-  (B4) 1pc
-  M4
-  M4 X 8mm
- (K4) 2pcs

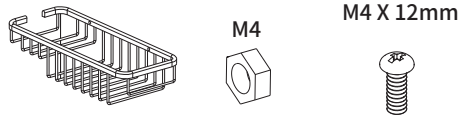
Install shower head and hole plugs.



Please apply waterproof tape to the connections of the water pipe for waterproofing protection.

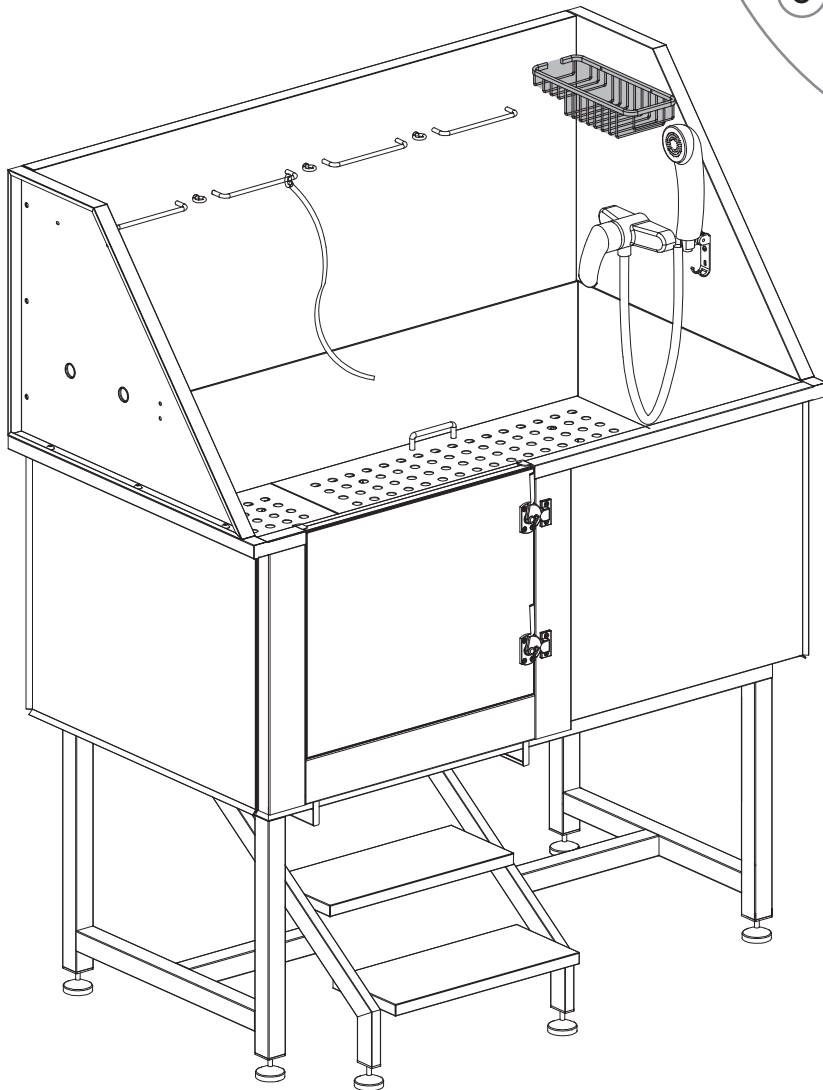
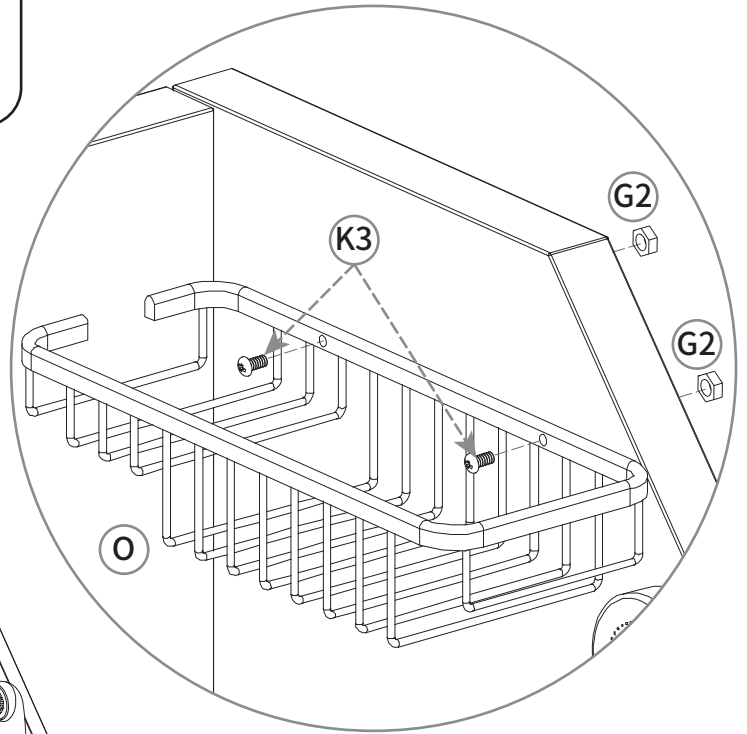
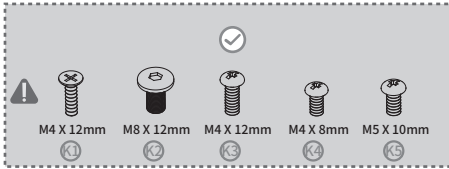



13



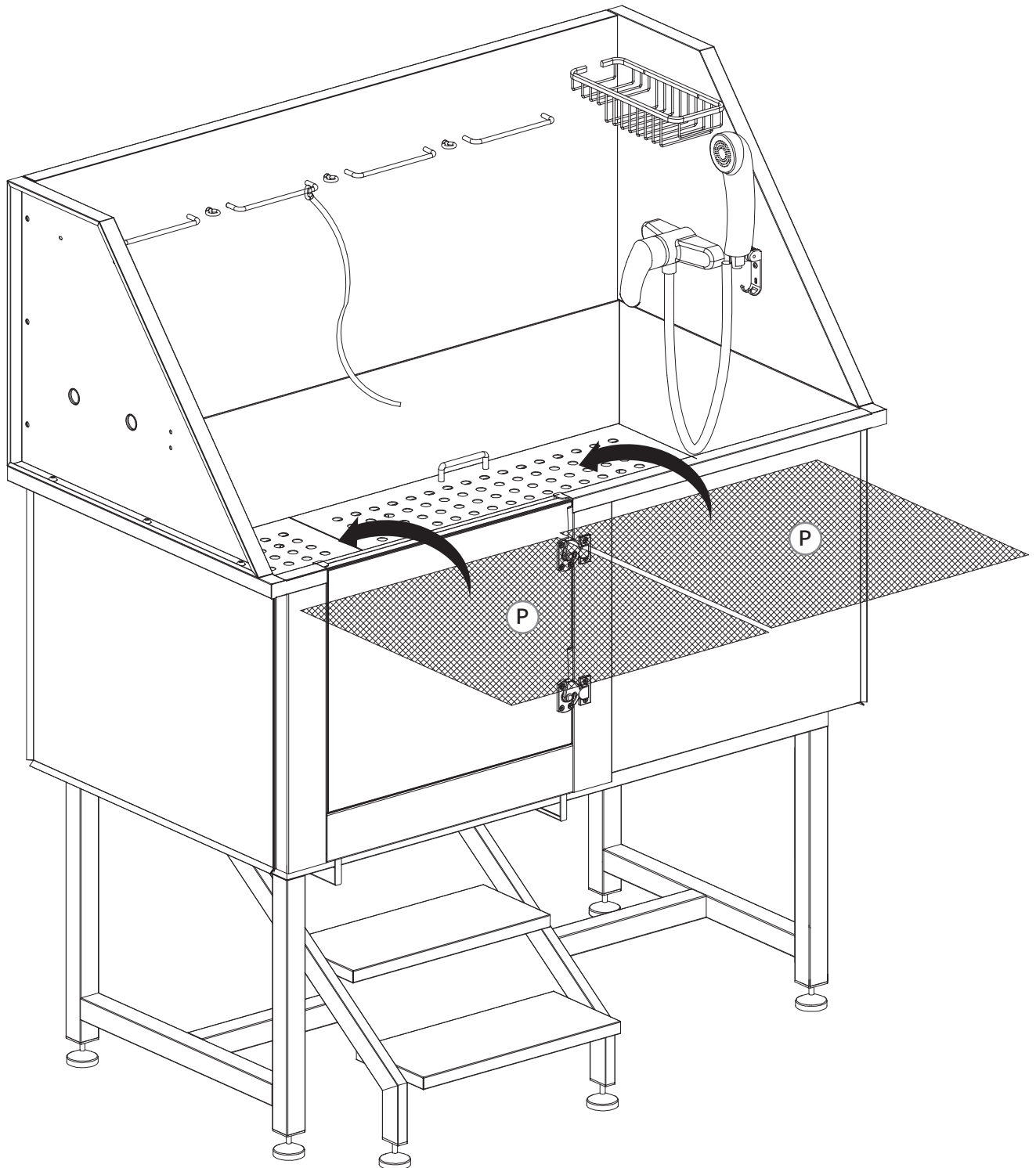
⊙ 1pc ⊙ G2 2pcs ⊙ K3 2pcs

Install drain basket.

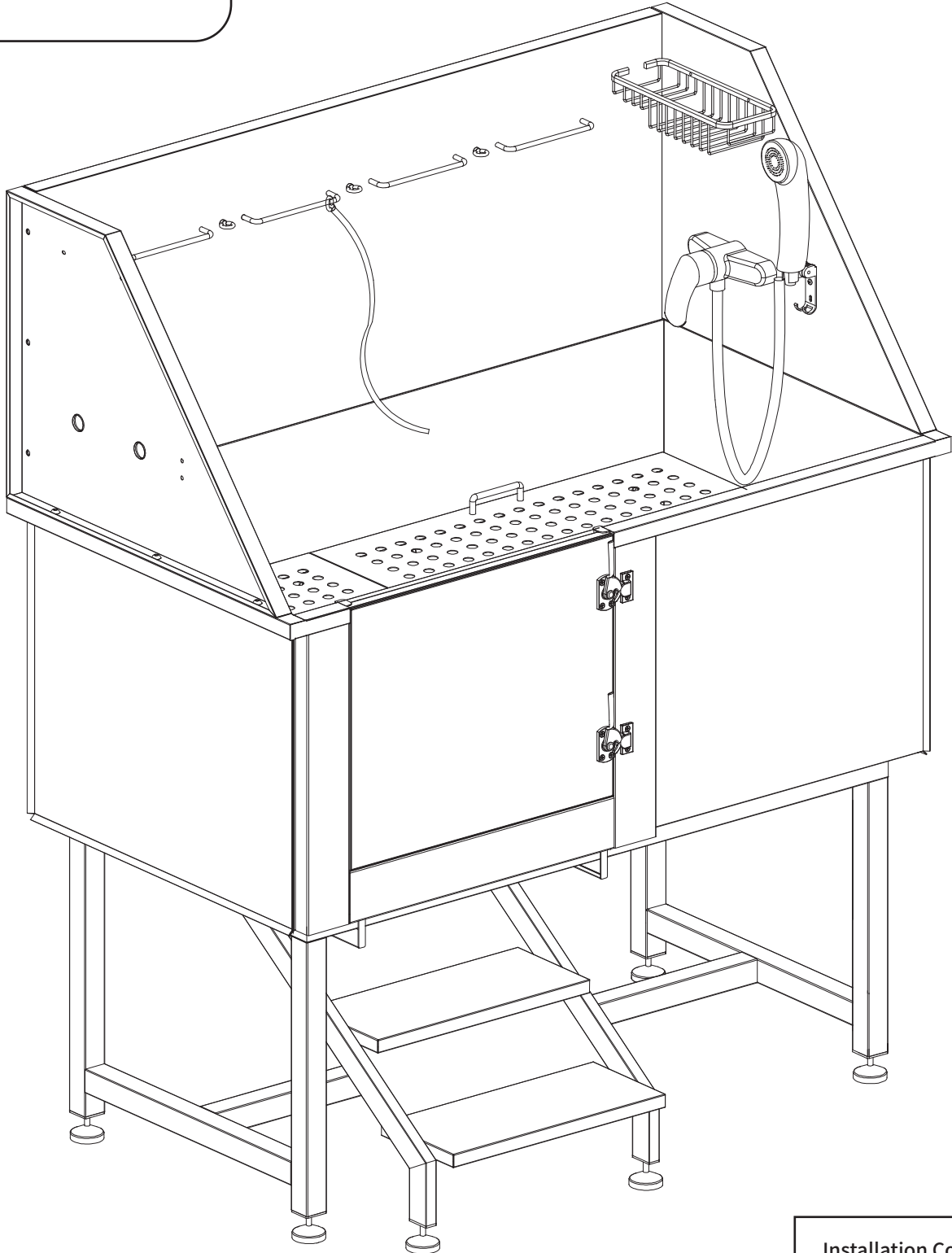


14  **P** 2pcs

Place non-slip pads



15



Installation Completed