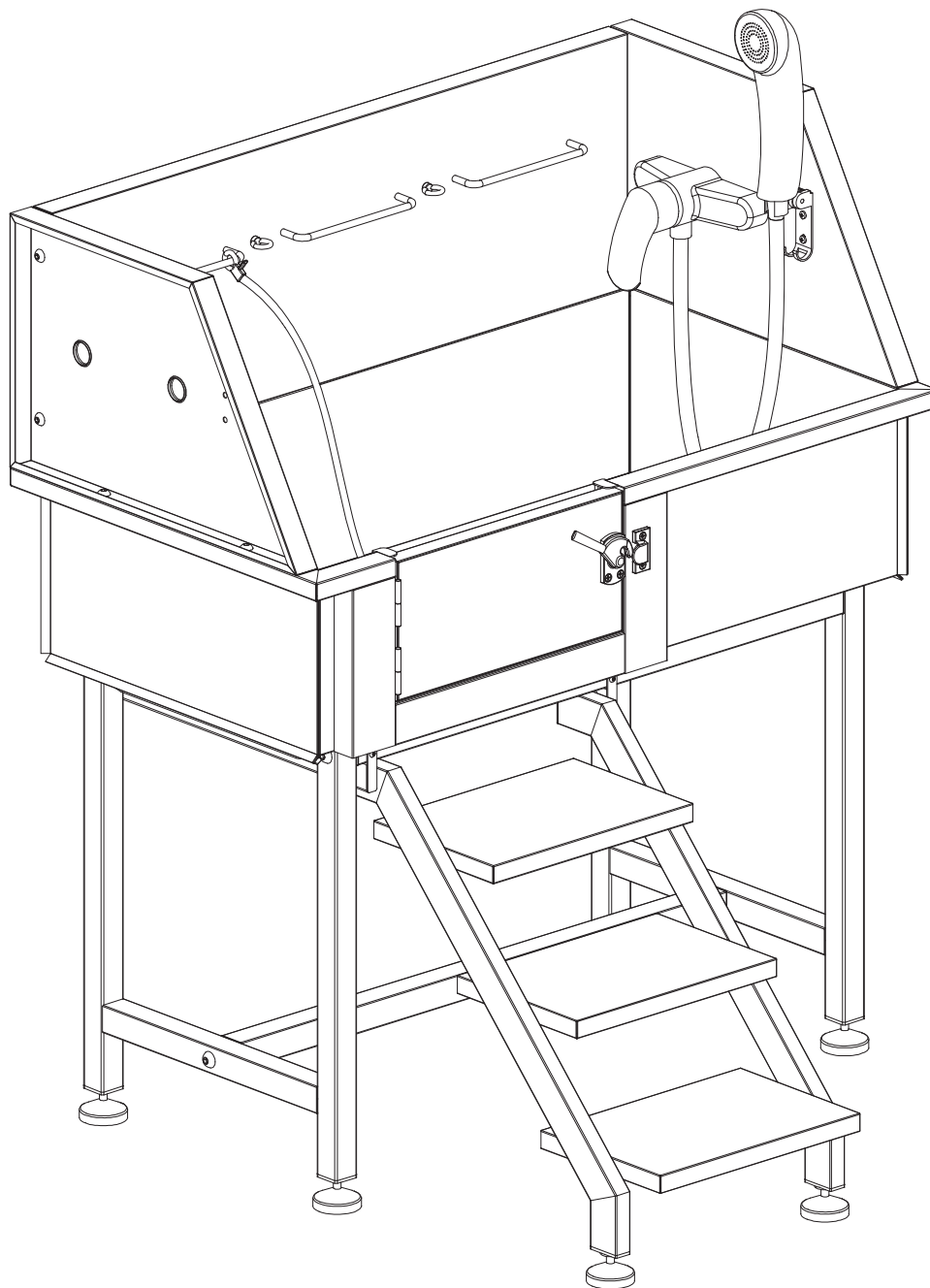


# 34 inch pet bathtub

SKU:GYG001-1C4A0

Assembly Instructions -Please keep for future reference



Any question please feel free to contact us:  
support@albott-us.com TEL: (901) 347-2181  
We will provide further assistance within 24 hours.

Important - Please read these instructions fully before starting assembly

## Important Reminder, Retain for Future Reference: Please Read Carefully

1. When installing water pipes, all external threaded joints should be wrapped with 4-6 layers of raw tape to effectively prevent leakage.

2. Before installation, ensure that the ground is level, sturdy, and obstacle-free. This will prevent the bathtub from tilting or becoming unstable.

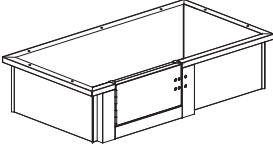
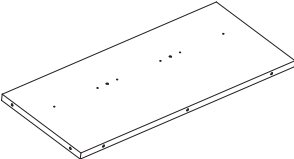
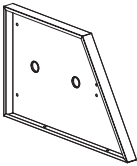
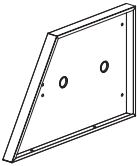
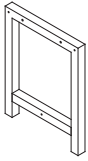
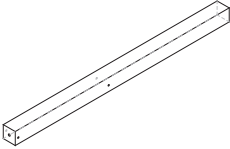
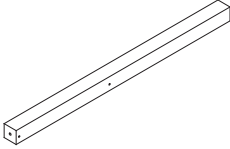
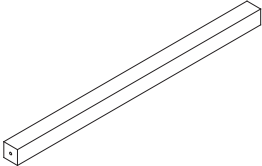
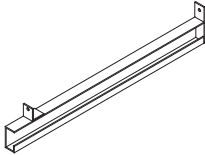
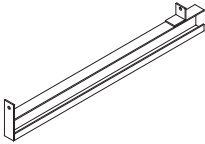
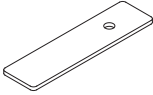
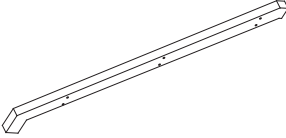
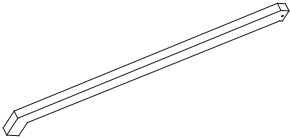
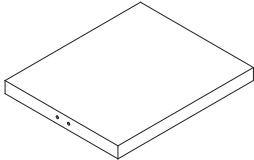
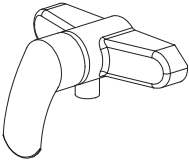
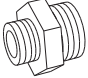

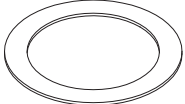
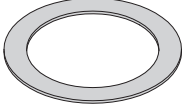

Check pipe connections: Before installation, inspect and ensure that the water and drainage pipe connections are secure, with no leaks or seepage.



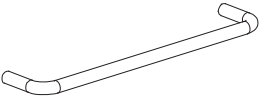

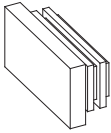
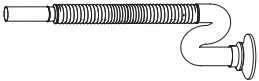

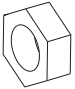
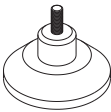


3. Test water flow and drainage: After installation is complete, turn on the faucet and drain hole to test whether the water flow and drainage are normal. If there is any leakage or poor water flow, further inspection and adjustment are needed.

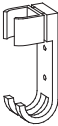

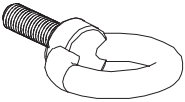

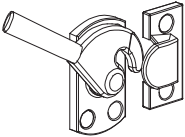




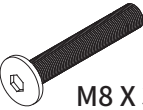
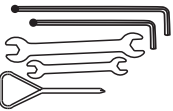
4. After installation is complete, always ensure that all components are intact and securely fixed.

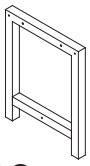
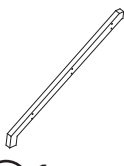
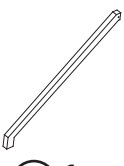
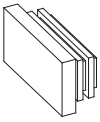
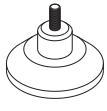
5. Cleaning and maintenance: After installation, regularly clean and maintain the bathtub to keep it in good sanitary condition and extend its service life.

6. Do not exceed the weight limit.

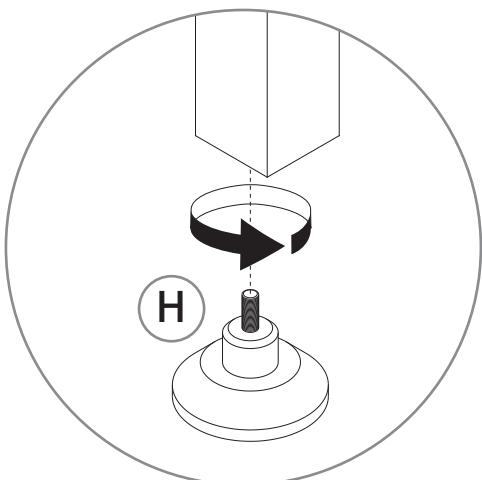
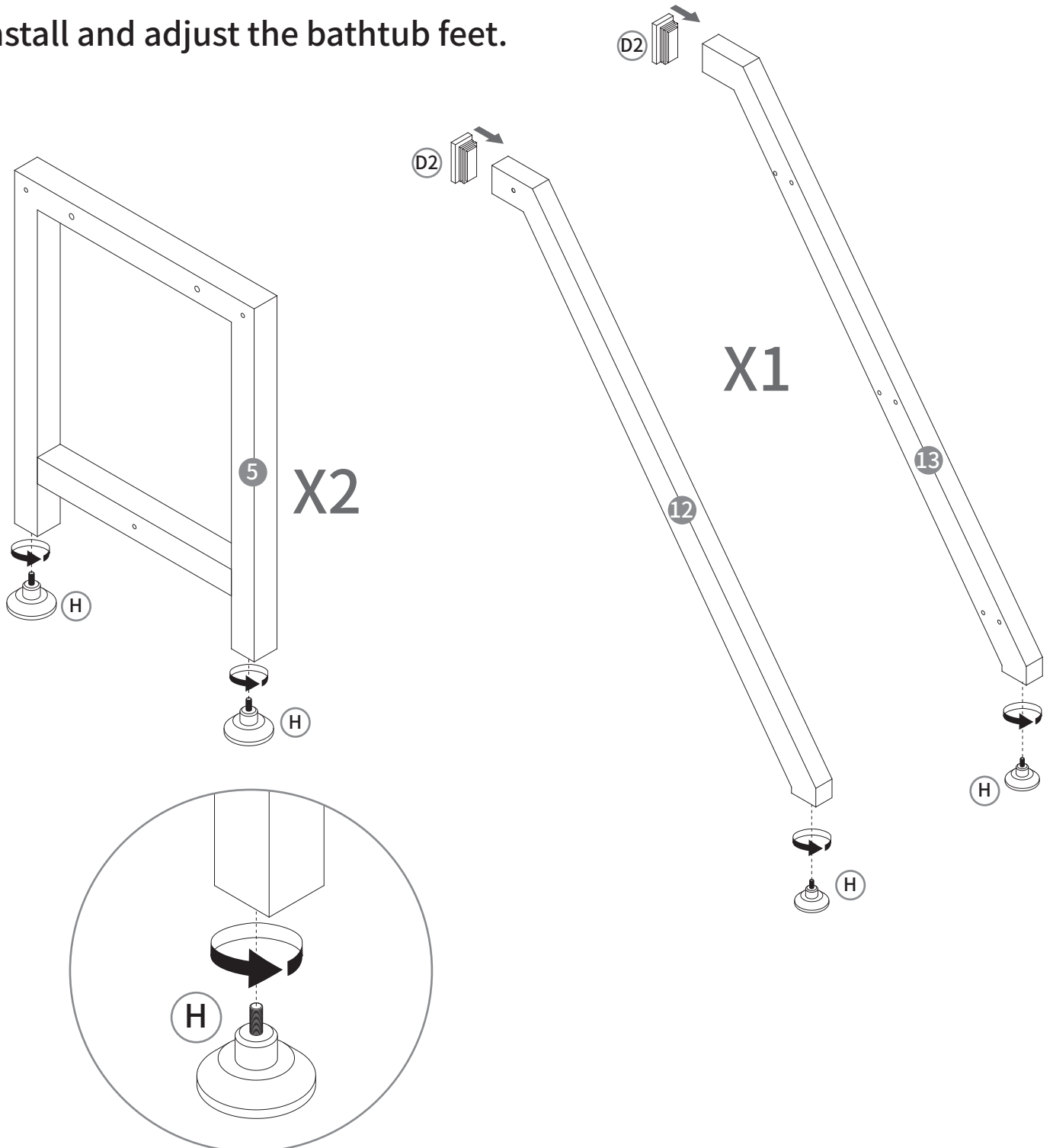
Item no.	Reference Image	Description	Qty.	Item no.	Reference Image	Description	Qty.
1		Bathtub	X1	2		Top back	X1
3		Left top plate	X1	4		Right top plate	X1
5		Bottom side leg	X2	6		Bottom front beam	X1
7		Bottom aft beam	X1	8		Bottom beam	X1
9		Climb the ladder slide (L)	X1	10		Climb the ladder slide (R)	X1
11		Ladder stopper	X2	12		Ladder side frame(L)	X1
13		Ladder side frame(R)	X1	14		Ladder bulkhead	X3
A1		Shower switch	X1	A2		Splice	X2
A3		Gasket	X2	A4		Silicone gasket	X2
A5		Stainless steel gasket	X2	A6		Water pipe	X2

Item no.	Reference Image	Description	Qty.
B1		Hole plug	X2
B3		Shower head	X1
C1		Pet chain fastener	X3
C3		Pet chain	X1
D2		Cap	X2
F1		Sewer pipe	X1
F3		Rubber tape	X1
G1	 M5	Nut	X2
H		Adjusting foot	X6
K2	 M8 X 12mm	Screw	X15
K4	 M4 X 8mm	Screw	X26

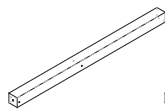
Item no.	Reference Image	Description	Qty.
B2		Shower holder	X1
B4		Water pipe	X1
C2		Pet chain fastener	X2
D1		Pulley	X2
E		Latch	X1
F2		Sewer fittings	X1
F4		Sewer fittings	X1
G2	 M4	Nut	X2
K1	 M4 X 12mm	Screw	X6
K3	 M8 X 35mm	Screw	X6
L		Installation tool	X1

<h1>1</h1>	    
	<p>⑤ 2pcs   ⑫ 1pc   ⑬ 1pc   ①② 2pcs   ① 6pcs</p>

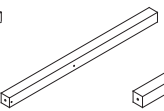
Install and adjust the bathtub feet.



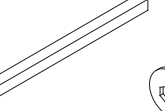
2




⑥ 1pc




⑦ 1pc




⑧ 1pc




Ⓚ36pcs




M4 X 12mm  
Ⓚ1



M8 X 12mm  
Ⓚ2

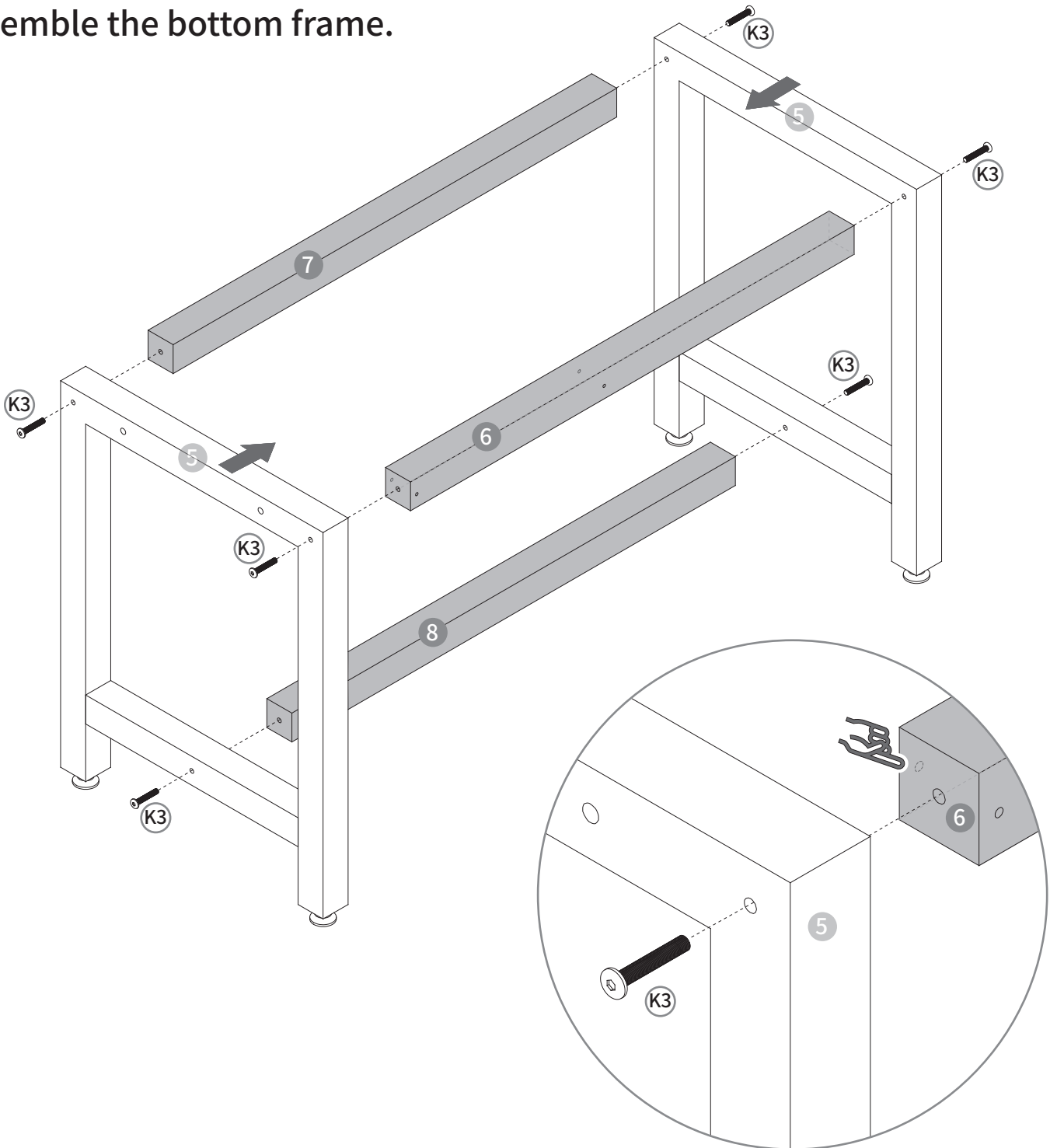


M8 X 35mm  
Ⓚ3



M4 X 8mm  
Ⓚ4

Assemble the bottom frame.



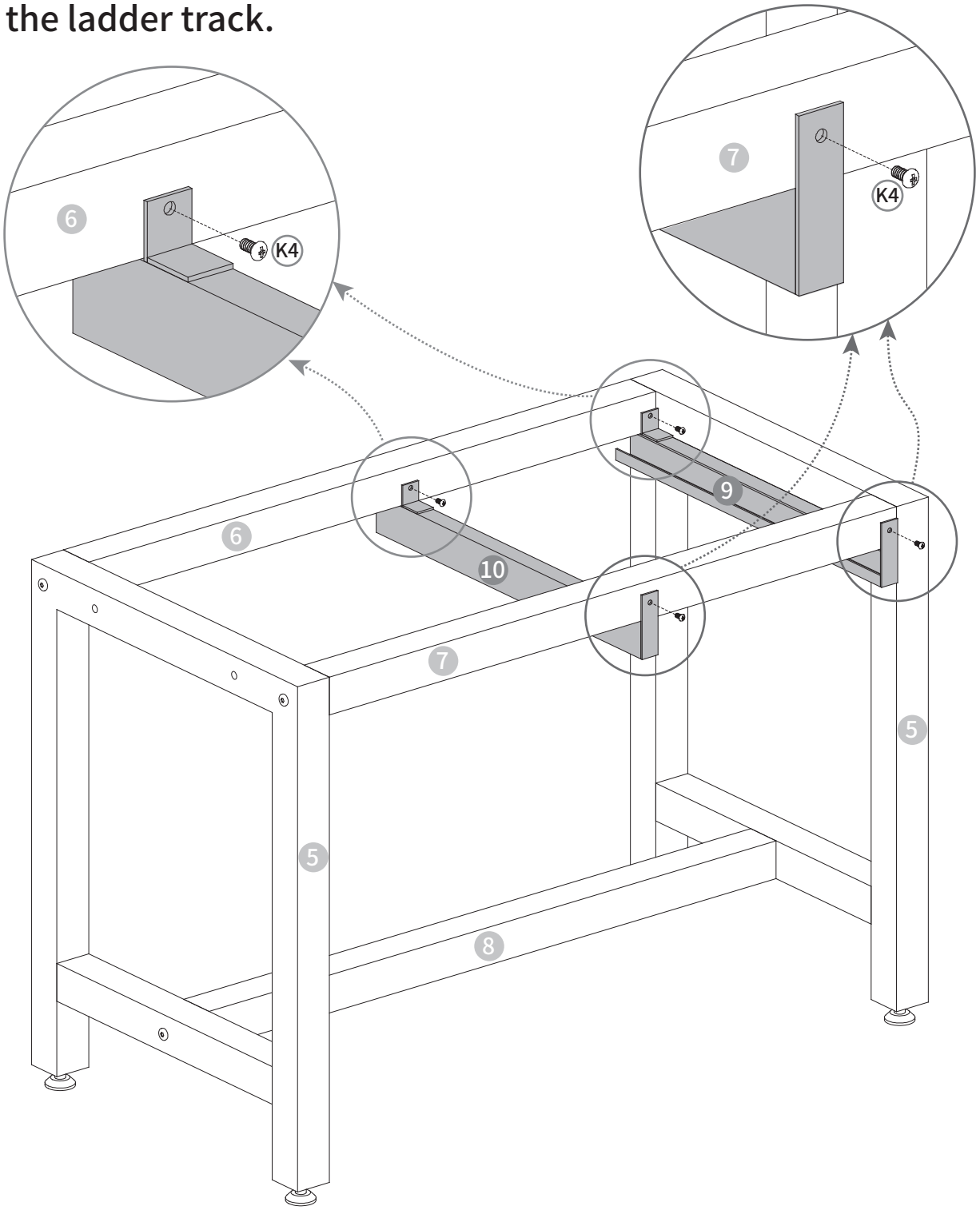
**3**

M4 X 8mm


⑨ 1pc    ⑩ 1pc    K4 4pcs

⚠ M4 X 12mm (K1)    M8 X 12mm (K2)    M8 X 35mm (K3)    ✓ M4 X 8mm (K4)

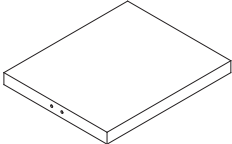
Install the ladder track.



4




ⓓ1 2pcs




14 3pcs

M4 X 8mm




Ⓚ4 12pcs




M4 X 12mm

Ⓚ1




M8 X 12mm

Ⓚ2



M8 X 35mm

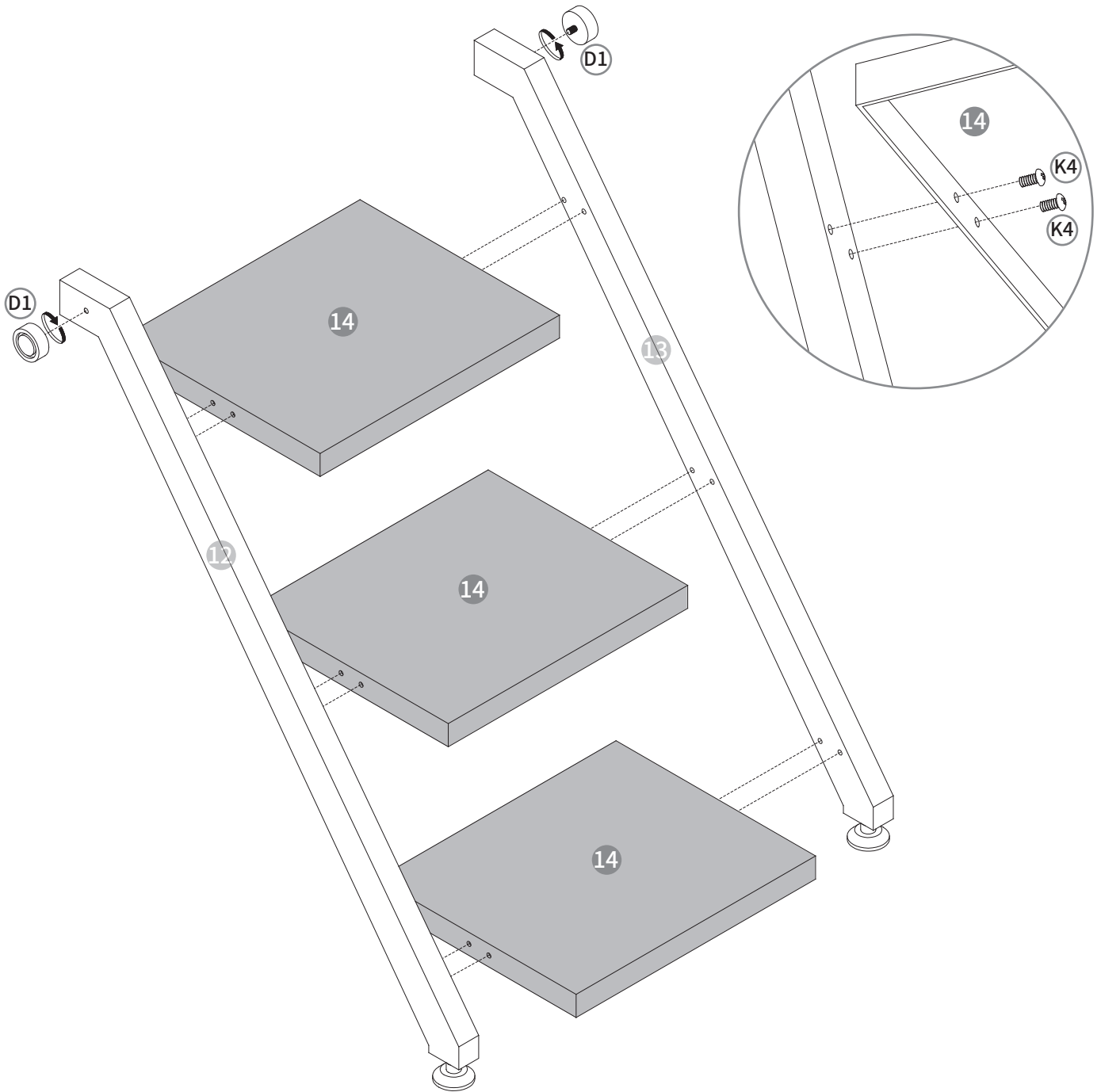
Ⓚ3



M4 X 8mm

Ⓚ4

Install the ladder.





**5**

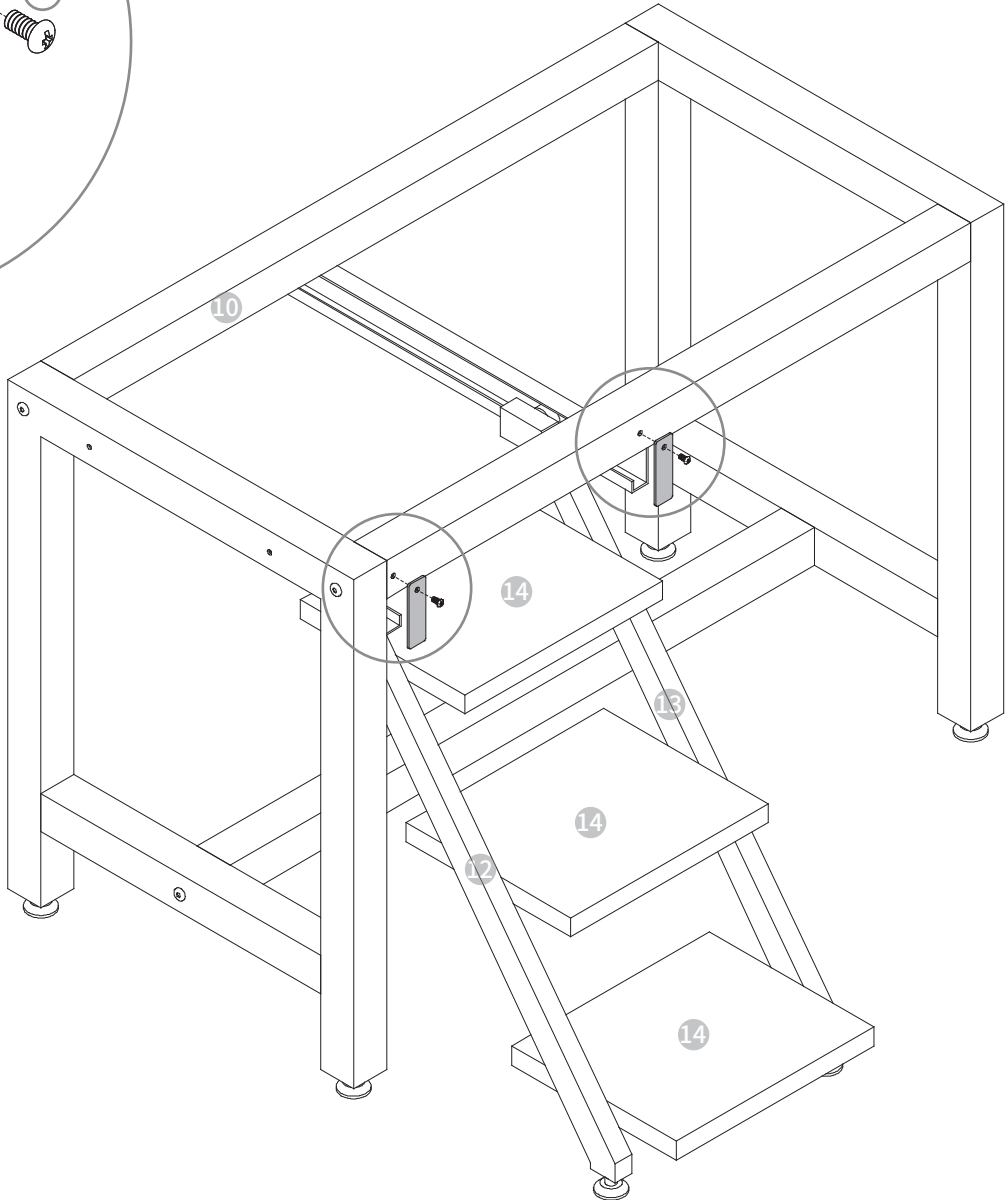
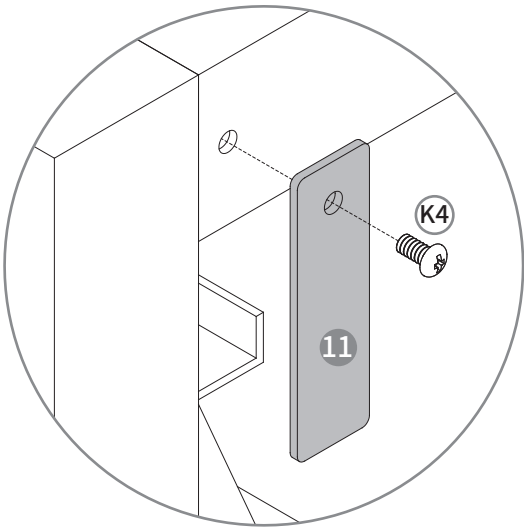
M4 X 8mm

①1 2pcs    ①K4 2pcs

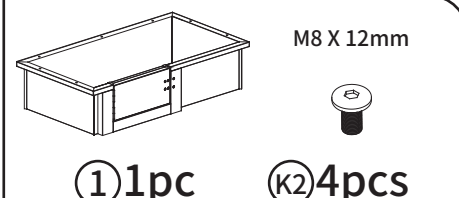
⚠ M4 X 12mm M8 X 12mm M8 X 35mm M4 X 8mm

①K1    ①K2    ①K3    ①K4

Install the ladder stop.




**6**



M8 X 12mm

① 1pc

Ⓚ2 4pcs



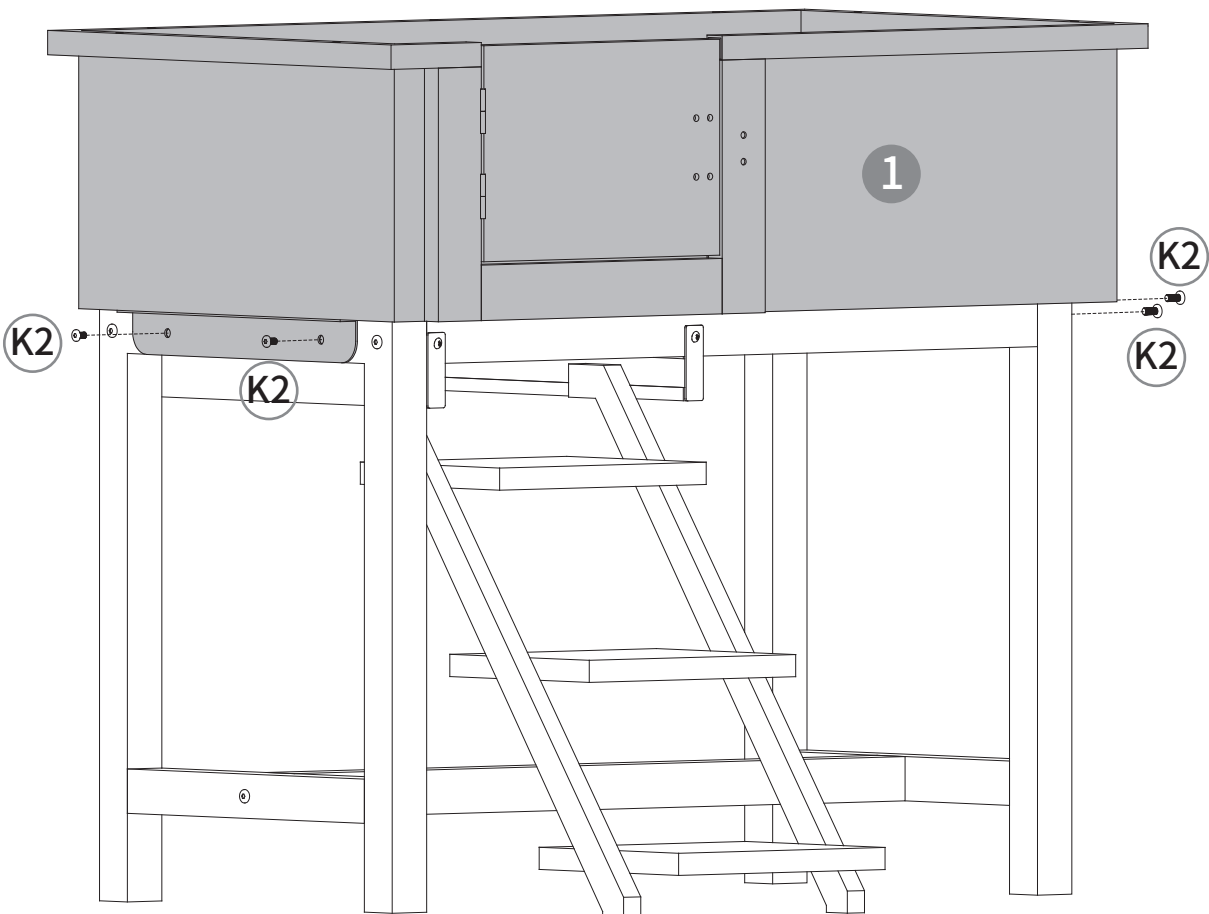
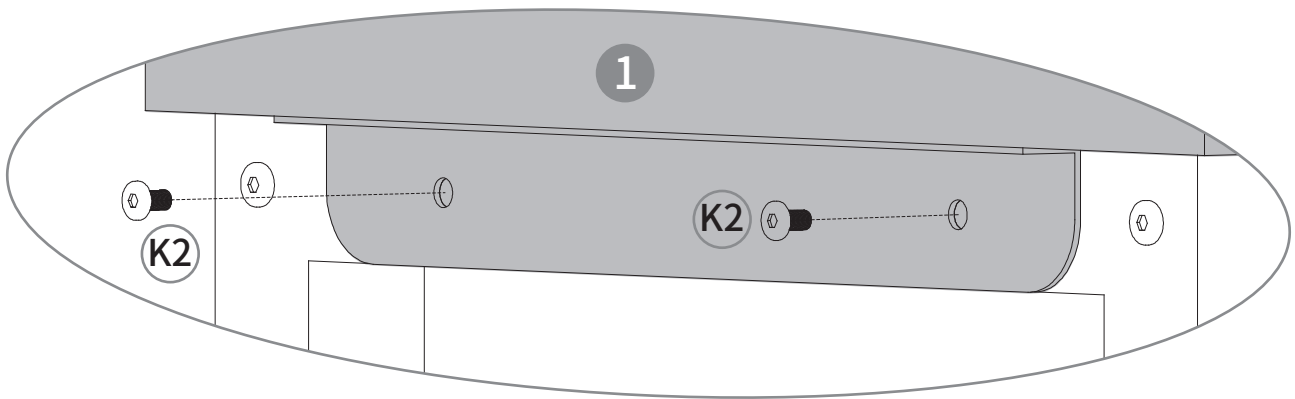
M4 X 12mm Ⓚ1

M8 X 12mm Ⓚ2

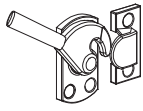
M8 X 35mm Ⓚ3

M4 X 8mm Ⓚ4


The bathtub is attached to the bracket.








**7**



M4 X 12mm



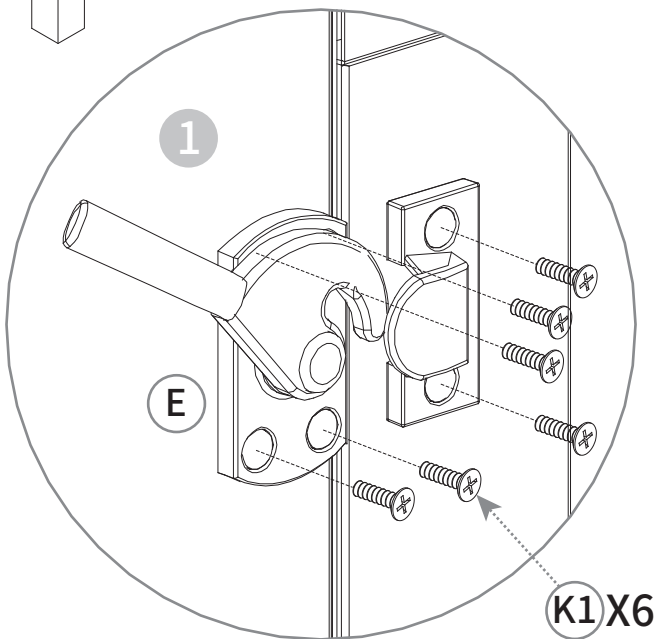
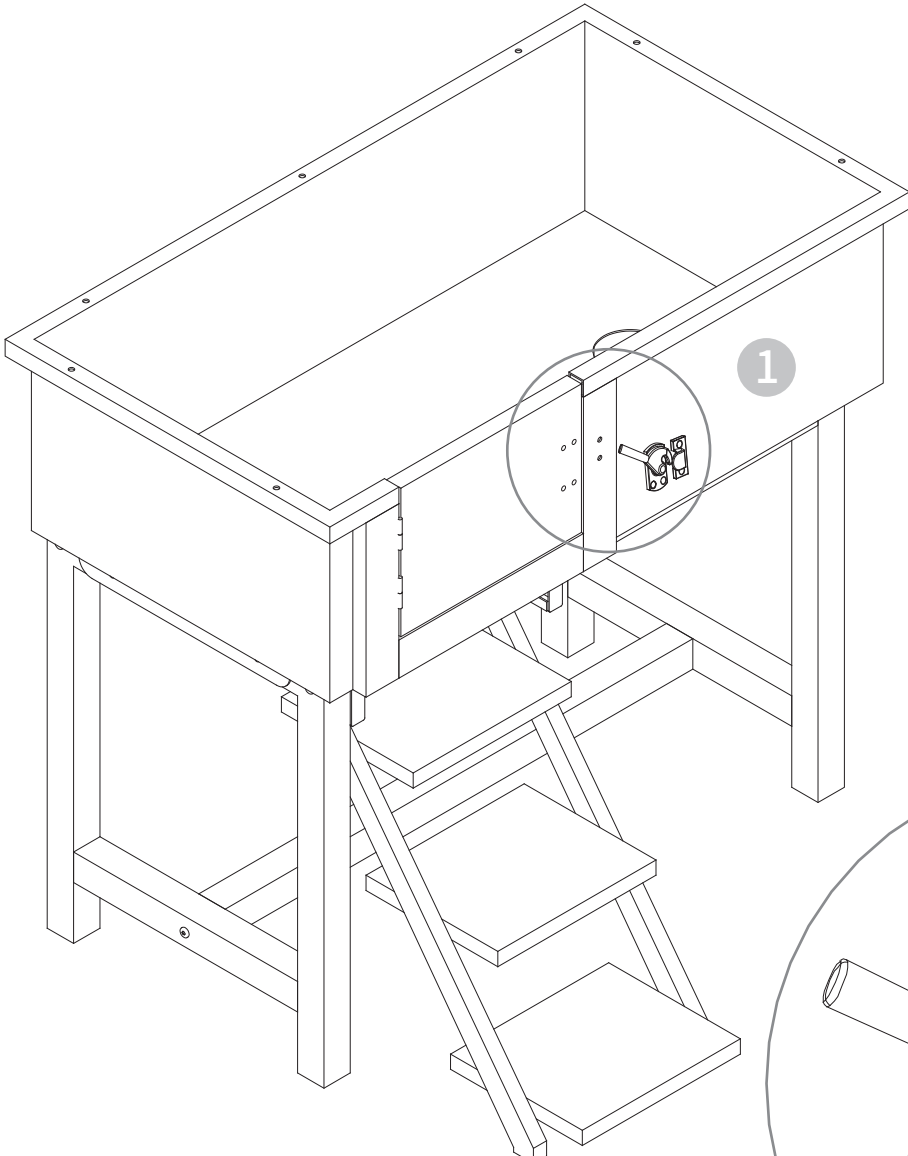
**E** 1pc **K1** 6pcs

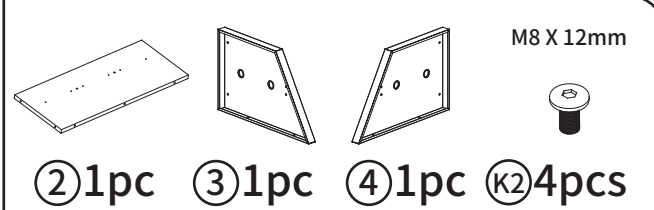
M4 X 12mm M8 X 12mm M8 X 35mm M4 X 8mm

**K1** **K2** **K3** **K4**

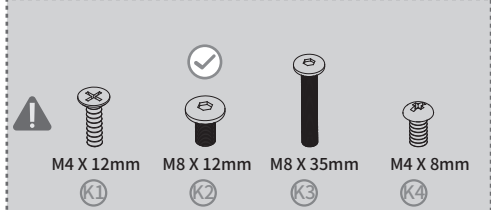
Install the latch.



**8**

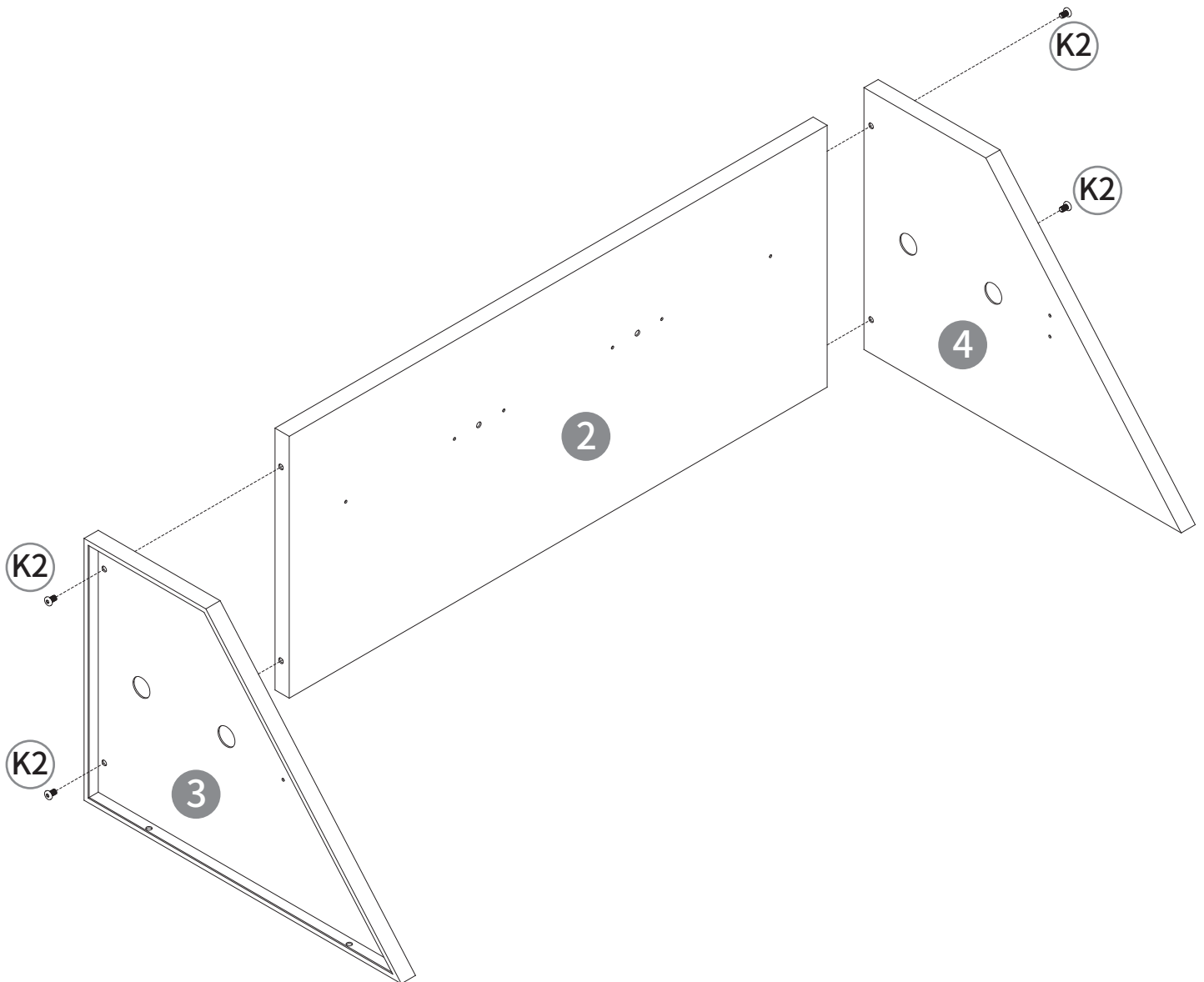


②1pc ③1pc ④1pc (K2)4pcs M8 X 12mm




M4 X 12mm (K1) M8 X 12mm (K2) M8 X 35mm (K3) M4 X 8mm (K4)

Secure top coaming.

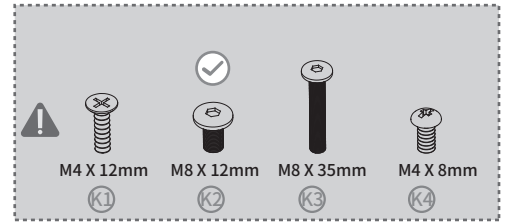


**9**

M8 X 12mm



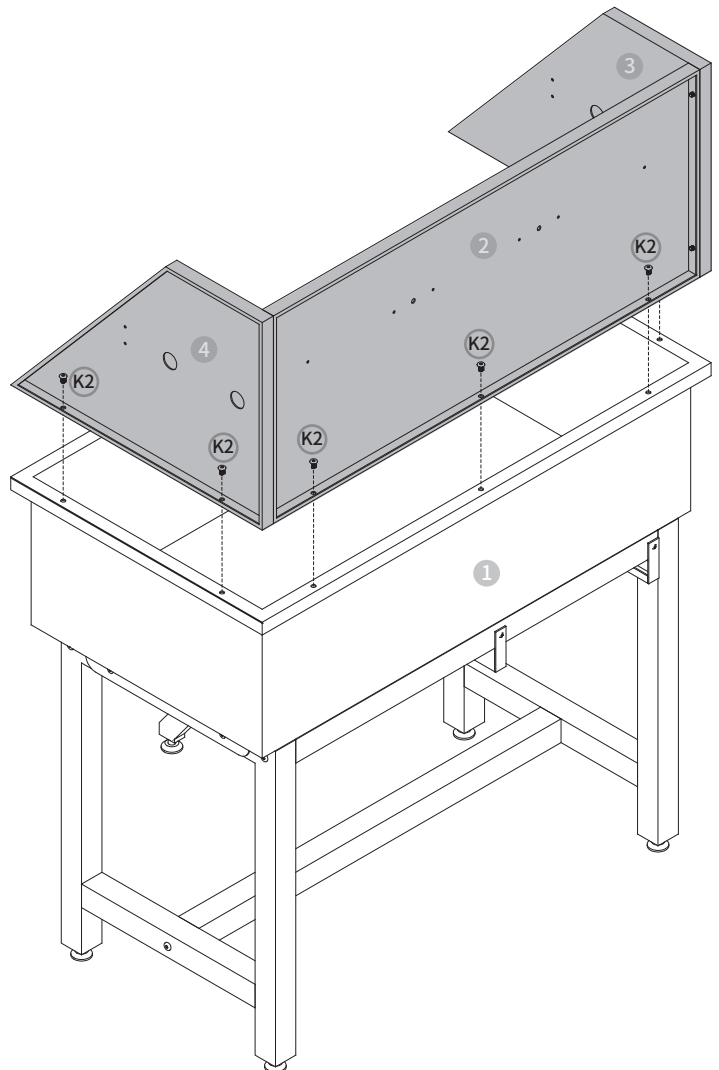
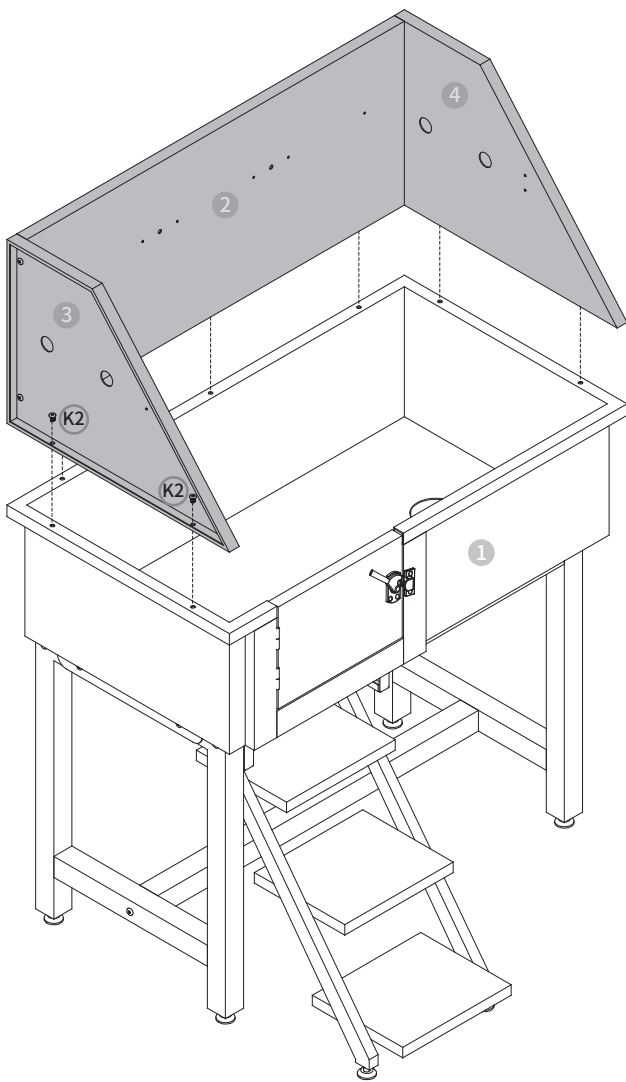
**K2** 7pcs






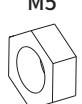

M4 X 12mm    M8 X 12mm    M8 X 35mm    M4 X 8mm

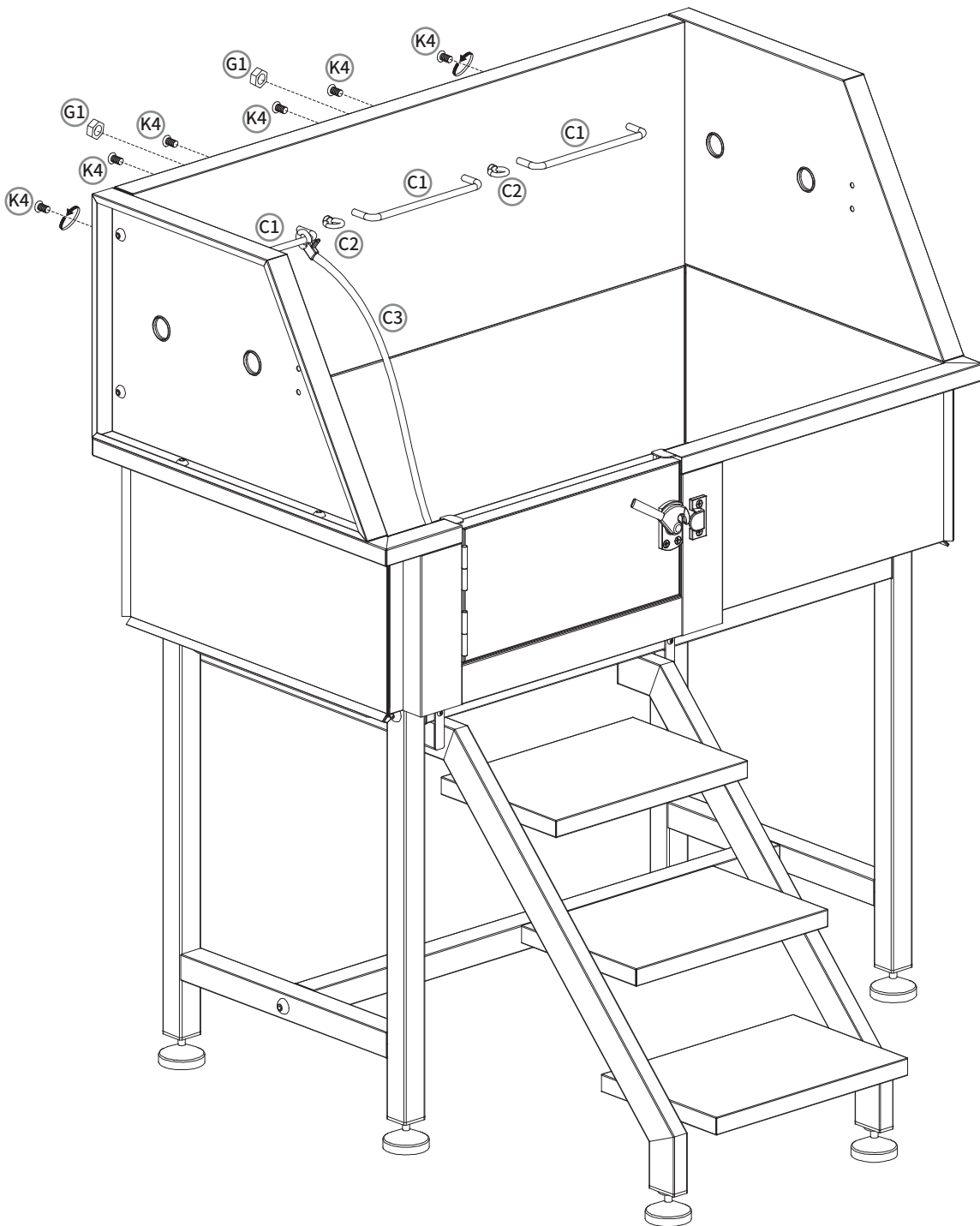
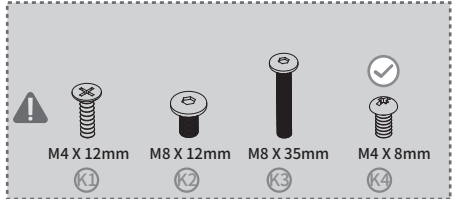
K1    K2    K3    K4

The top coaming is attached to the bathtub.

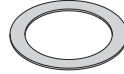
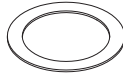
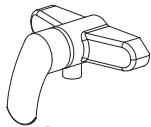


# 10

- 
  - 
  - 
  -  M5
  -  M4 X 8mm
- ⓐ3pcs ⓑ2pcs ⓒ1pc ⓓ2pcs ⓔ6pcs



# 11



(A1) 1pc

(A2) 2pc

(A3) 2pc

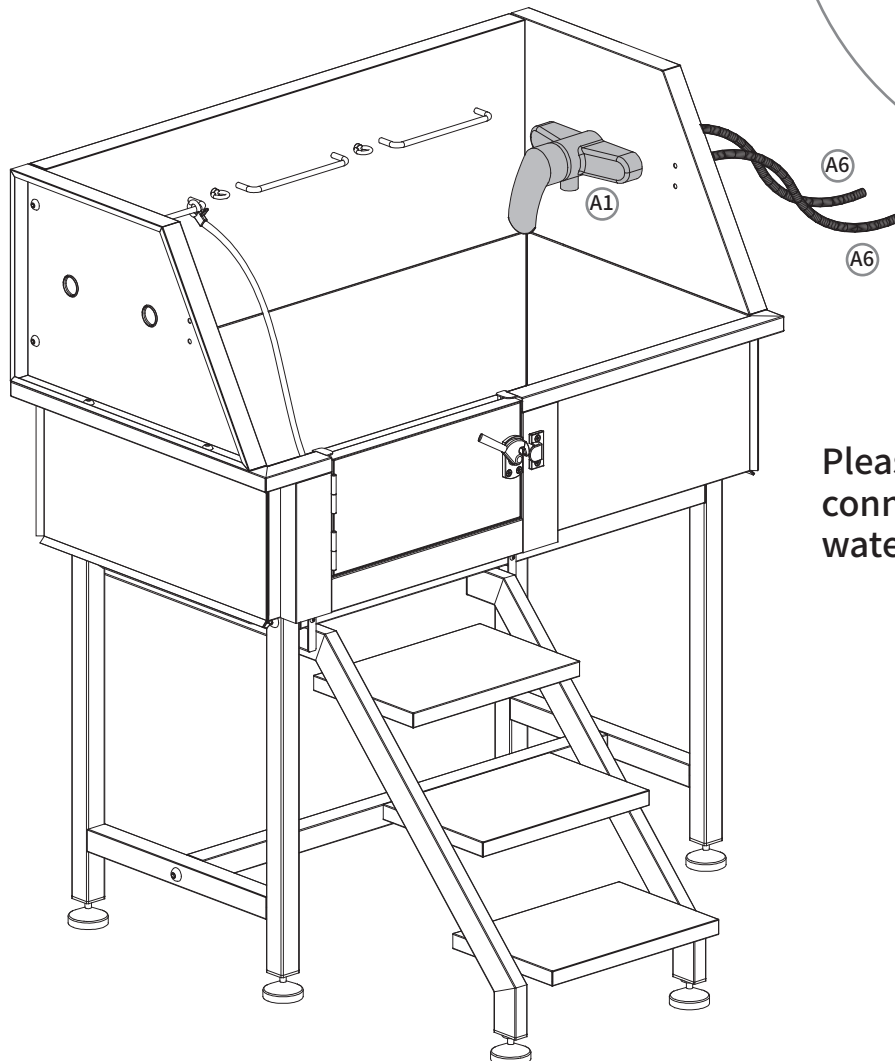
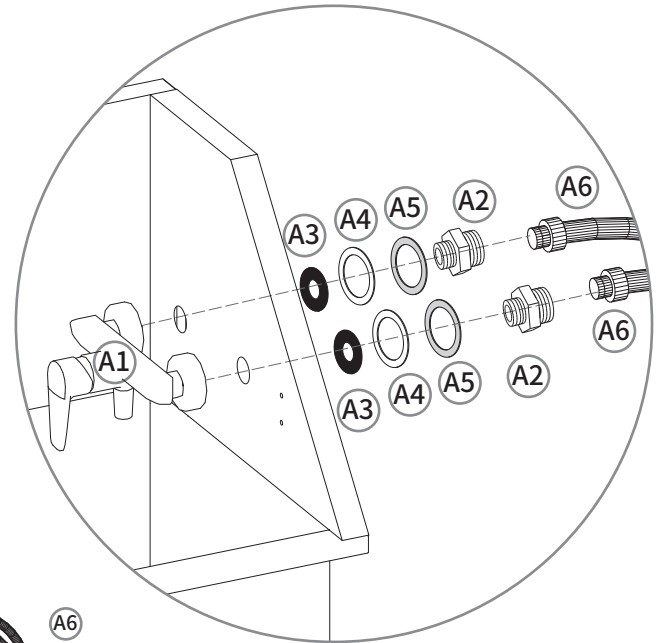
(A4) 2pc

(A5) 2pcs

(A6) 2pcs

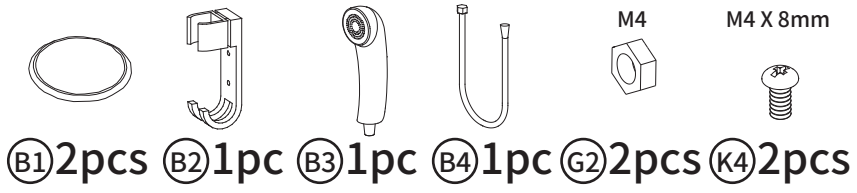
(F3) 1pc

Install shower switch.

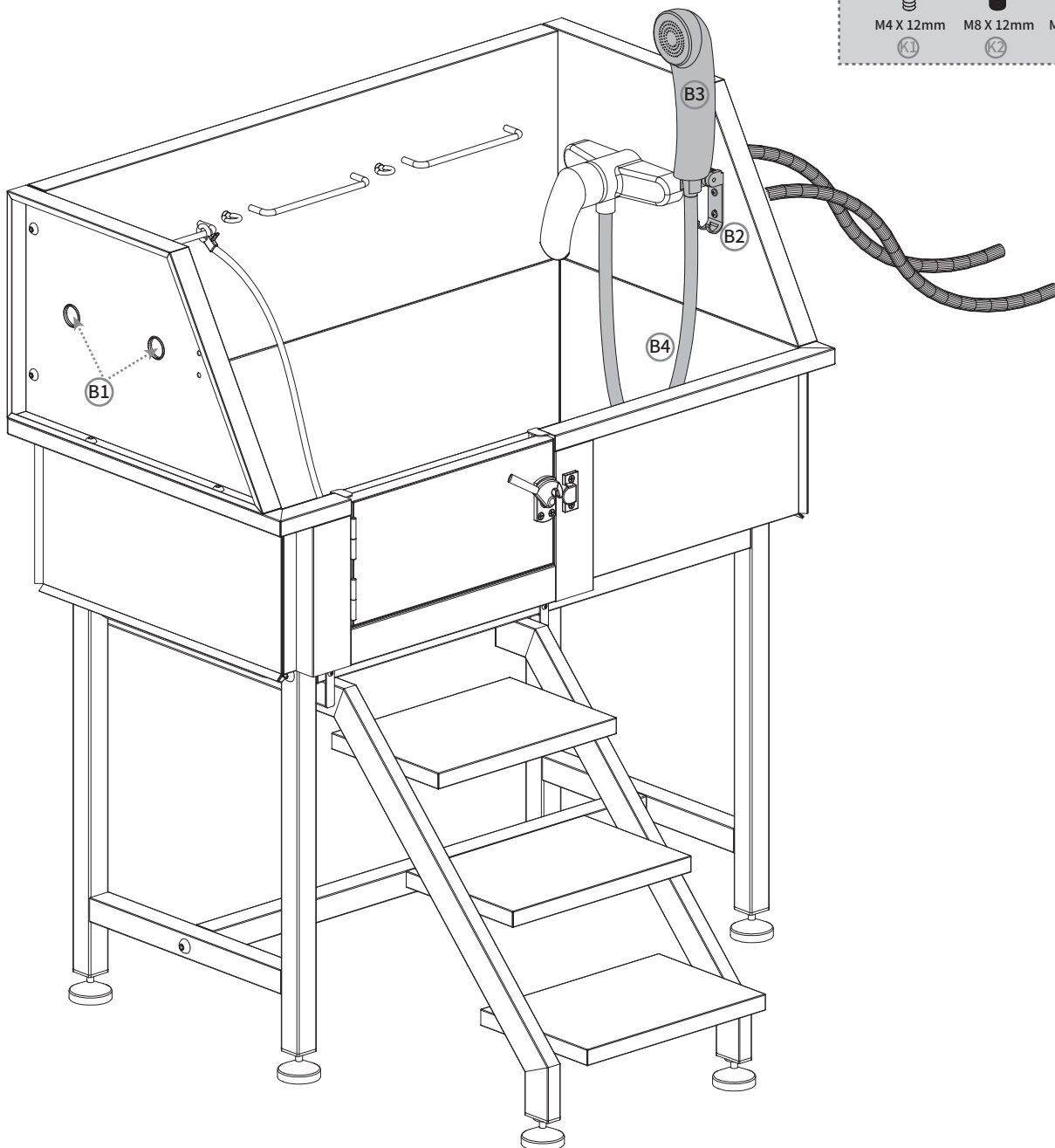
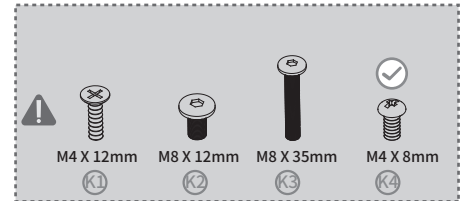


Please apply waterproof tape to the connections of the water pipe for waterproofing protection.

# 12

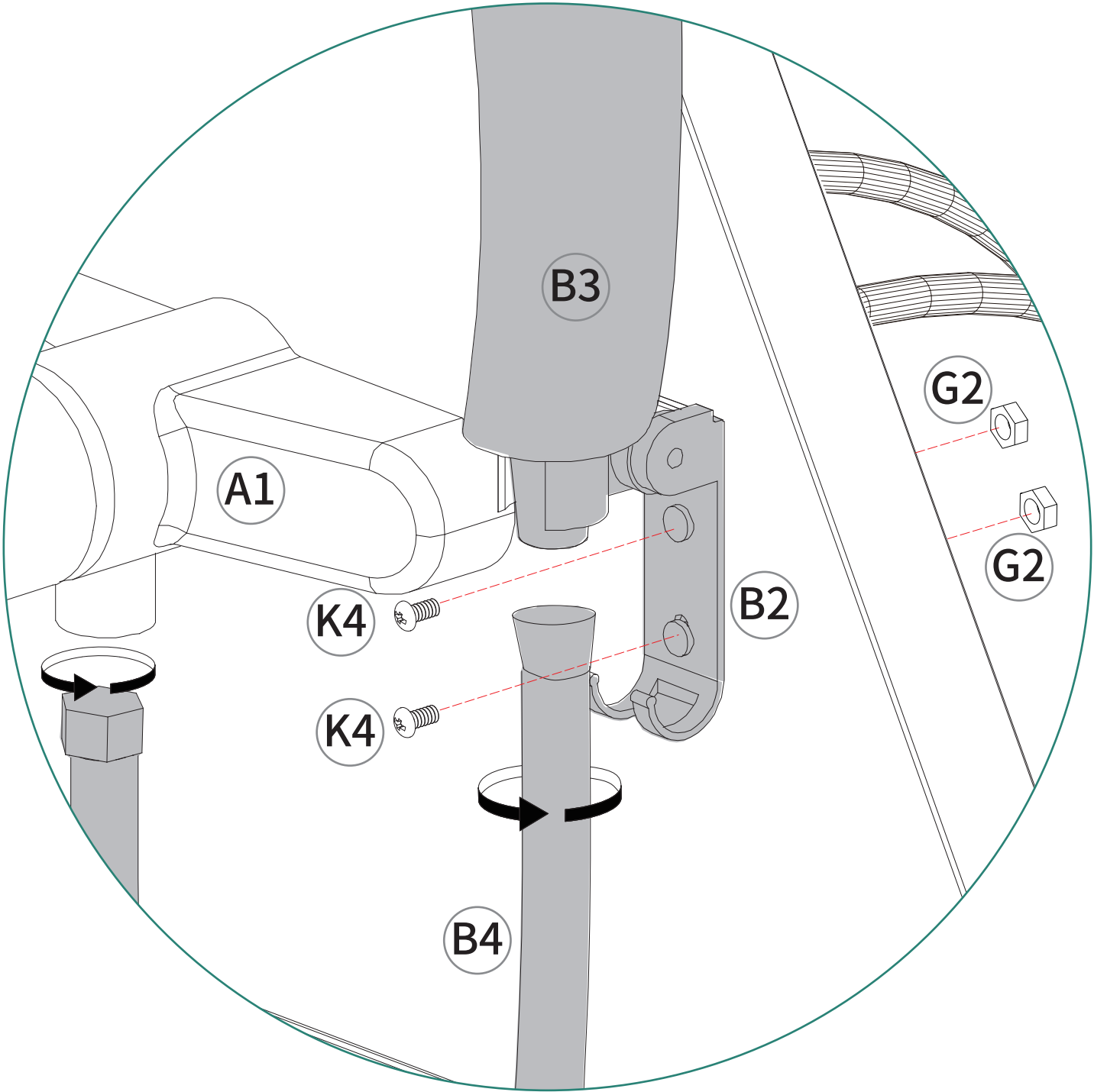


Install shower head and hole plugs.





Please apply waterproof tape to the connections of the water pipe for waterproofing protection.



# 13

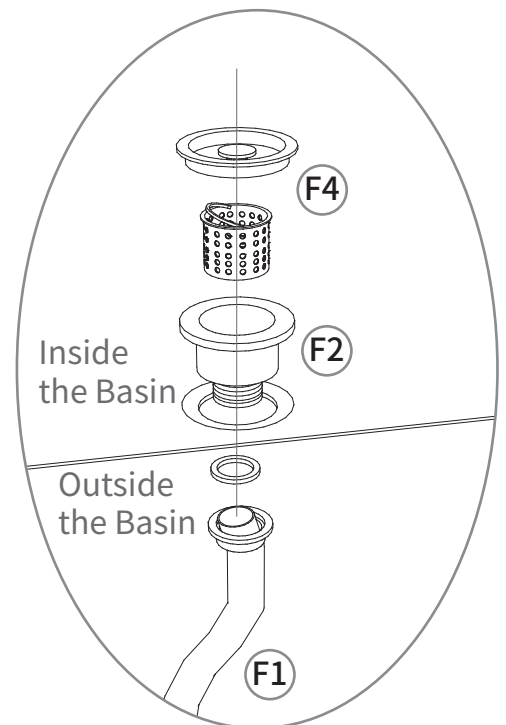
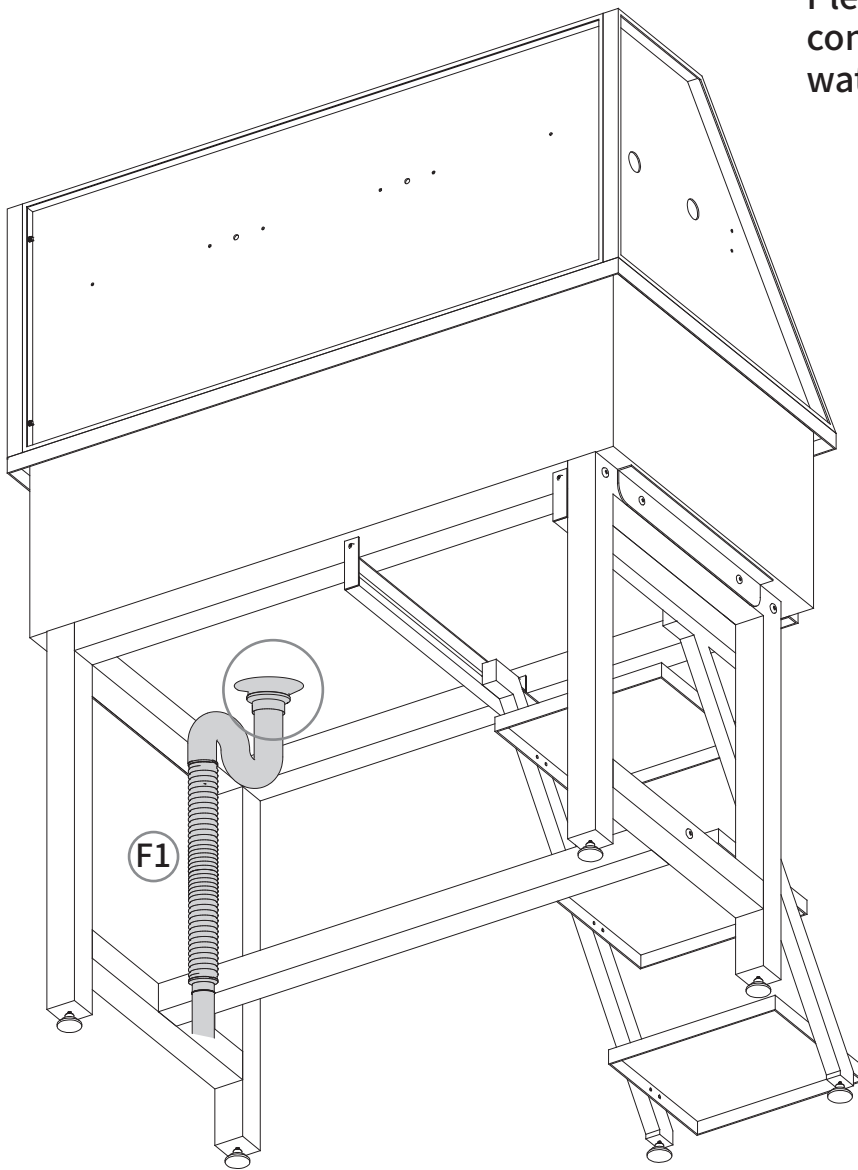


(F1) 1pc (F2) 1pc (F3) 1pc (F4) 1pc

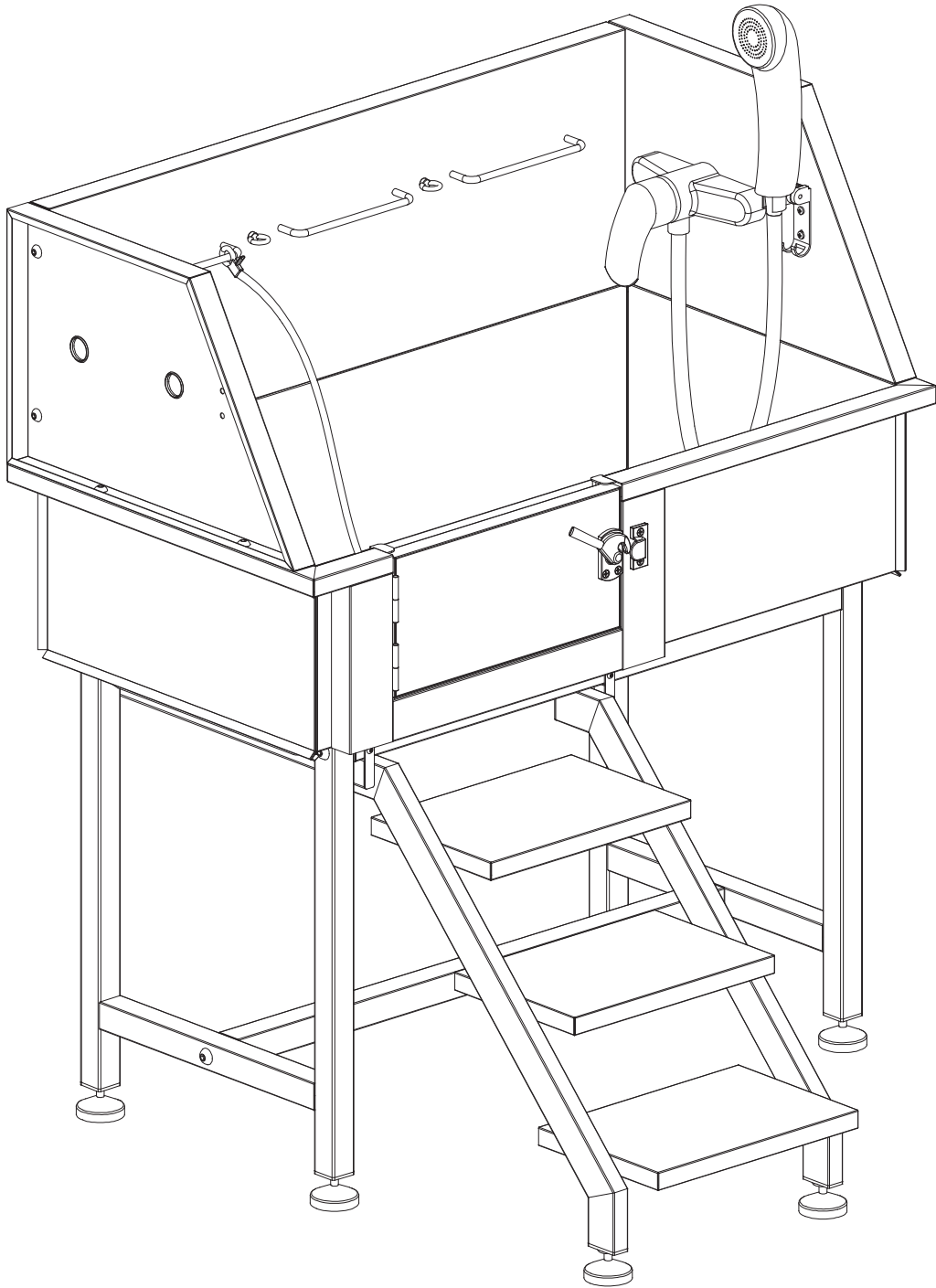
Install sewer lines.



Please apply waterproof tape to the connections of the water pipe for waterproofing protection.



**14**



Installation Completed