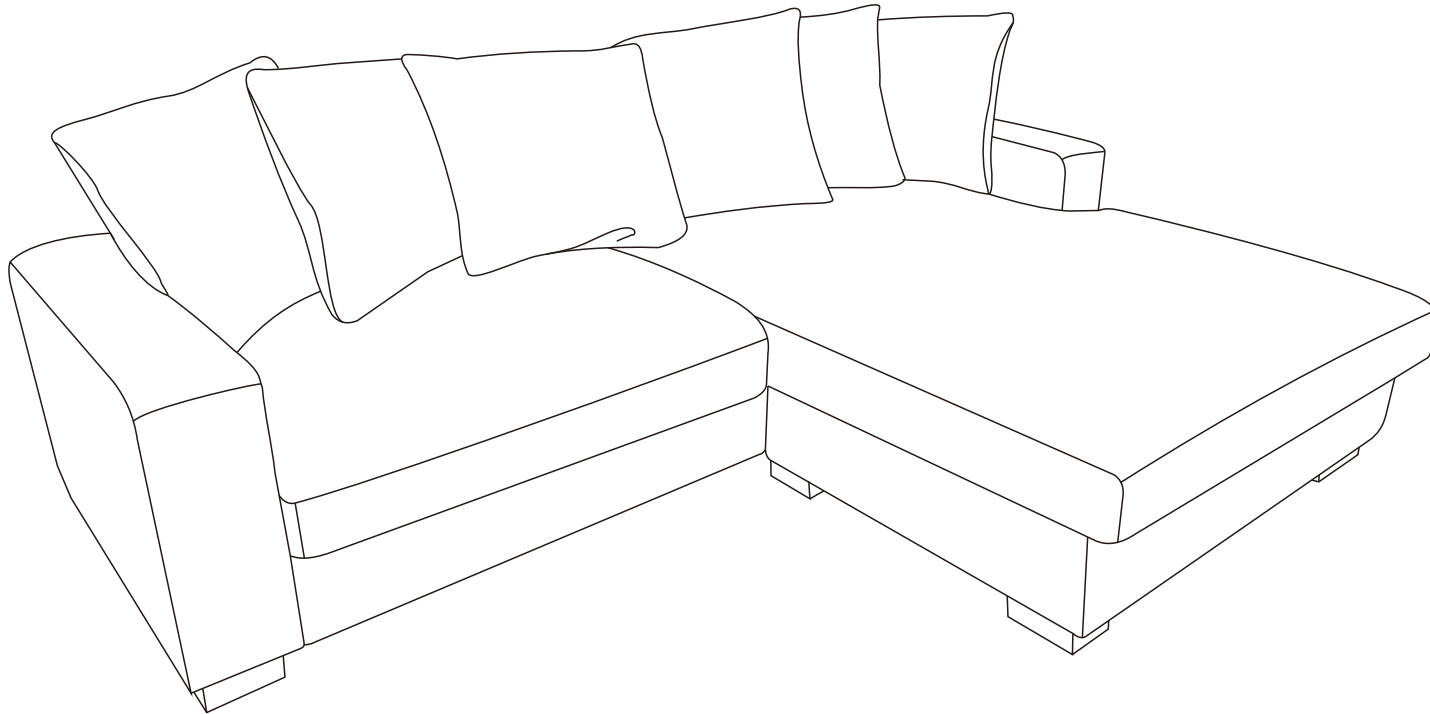


Combination Sofa

Assembly Instruction



1. There are 2 boxes of products, please do not further unpack and install before receiving the complete 2 boxes.
2. Assembly instructions (located in the Box1), hardware accessories (located in the Box1), please find all hardware accessories before installation.



Before Installation

Thank you for choosing our product! To ensure a smooth installation process, please read this guide carefully to familiarize yourself with the required tools, materials, and installation steps. Follow the relevant sections to avoid any damage caused by improper installation, and make sure to review all operation and safety guidelines for correct installation procedures.

Installation Information

- All information in this guide is based on the product's condition at the time of printing. We reserve the right to modify product features, packaging, or availability without prior notice.
- Before installing the furniture, ensure that all necessary electrical or environmental preparations are completed.
- This manual contains important instructions on installation, cleaning, and maintenance. Please read it thoroughly and keep it for future reference.

Pre-Installation Checklist

1. Carefully inspect the new product for any damage or defects.
2. Ensure installation is carried out on a clean, flat surface to maintain balance and stability.
3. Avoid prolonged exposure of the product to damp environments or direct sunlight.
4. Handle with care during installation. Use protective materials (e.g., soft pads) to prevent scratches.
5. For any questions or technical support, refer to the customer service guide and contact the seller's customer service.

Usage and Maintenance Recommendations

1. Clean furniture regularly to maintain hygiene and prevent bacteria growth. Use a damp cloth that has been wrung out to avoid scratching the finish.
2. Avoid contact with acidic or alkaline corrosive liquids.
3. Do not use unauthorized replacement parts. For replacement parts, contact the manufacturer or distributor.
4. Do not machine wash or rinse any part of this product with water.



Safety Warnings

1. Warning Labels:

Do not remove warning labels on the product or packaging, and always follow the related instructions.

2. Regular Inspections:

Regularly check all parts of the product to ensure they are correctly installed, undamaged, and all connectors are securely tightened.

3. Safe Use:

Do not play on or under the sofa, and strictly avoid jumping or any actions that may harm the sofa or users.

4. Rope Hazard:

Do not attach ropes, hooks, straps, or other unintended items to any part of the product.

5. Guide Preservation:

Retain this manual for future reference.

6. Supervisory Responsibility:

Safety is a shared responsibility between the manufacturer and the user. Always adhere to safety guidelines when using the product.

Disclaimer







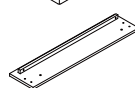

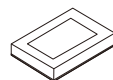

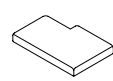



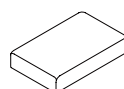
We are committed to providing safe and reliable products. If you have any questions about this product or require additional support, please contact our customer service team. We are here to assist you.









Seller's Notice






Our product is packed in separate boxes as shown below, and they might be shipped in different batches. Please wait until you received all the boxes then start the assembly.



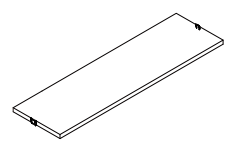

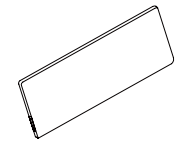

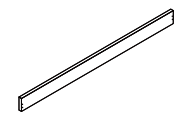

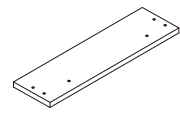

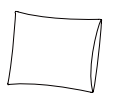

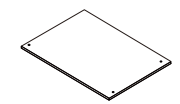
Noted: Assembly instruction is only provided in Box1.

The following is the list of components contained in these boxes.

	BOX1	Main structure accessories	
		R	Right armrest x1
		L	Left armrest x1
			Pedal the front and rear flaps x2
			Pedal cover x1
			chaise cushion x1
			Backpack x4
			Seat cushion bag x1

Accessory bag	
	Plastic foot x8
	L-shaped hanging piece x8
	Hanging film x2
	Left Angle hanging x2
	RightAngle hanger x2
	Push the foot board x4
	Postmedian crura x2
	Premedian crura x2

Hardware bag	
	M6*35mm (Ø1/4*1-3/8") x16
	M8*18mm (Ø5/16*5-7") x42
	M6*25mm (Ø1/4*1") x8
	M8*55mm (Ø5/16*1-3/18/") x10
	x1

	BOX2	Main structure accessories	
			Pedestal frame x1
			Backrest x1
			Front bezel x1
			Pedal side board x2
			Backpack x2
			Pedal iron frame x2

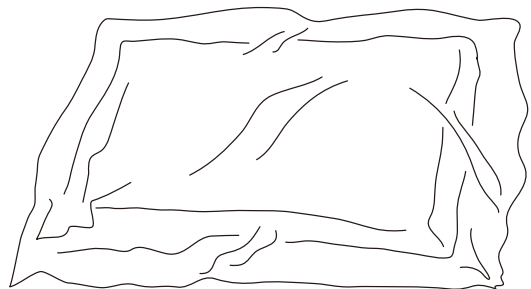
Safety and Care Advice

Important - Please read these instructions fully before starting assembly

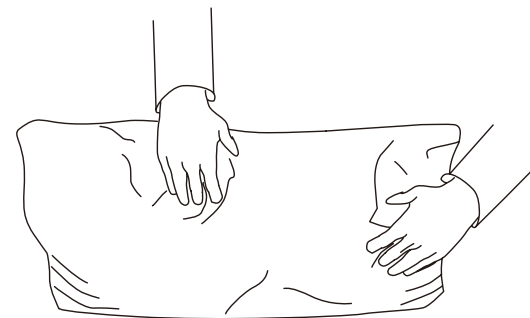
Thanks for your purchase. Before assembling, please follow the instructions to check if all the spare parts and screws are intact.

- Considering the size and weight of the sofa, we recommend two adults to assemble the sofa, on a carpeted or padded area, in the room that it is intended for. Approximate assembly time: 30 minutes.
- Please do not throw away any of the packaging or the instruction until all the components and hardware have been checked and the furniture is fully assembled. Please ensure that the packaging is disposed in a safe and environmentally friendly way.
- Keep all components and packaging out of reach of children or animals to avoid the risk of choking or suffocation.
- Please do not take off the cover, and do not wash.

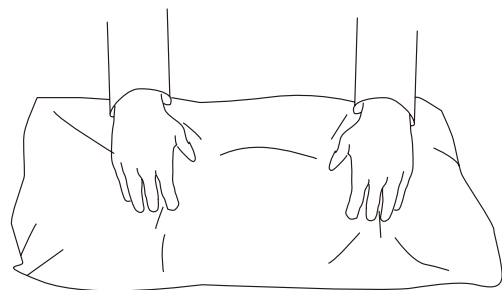
Your cushions come vacuum packed and sealed for shipping. To restore the cushion's original shape, follow the steps below.



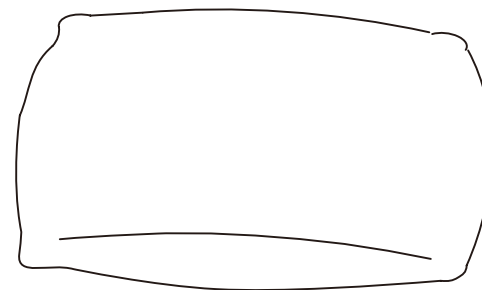
Open the vacuum bag carefully.



Press and tap with both hands from the side to fully inhale air.



Press and tap with both hands from the front to fully inflate.



Carefully smooth out each section until the surface is even.

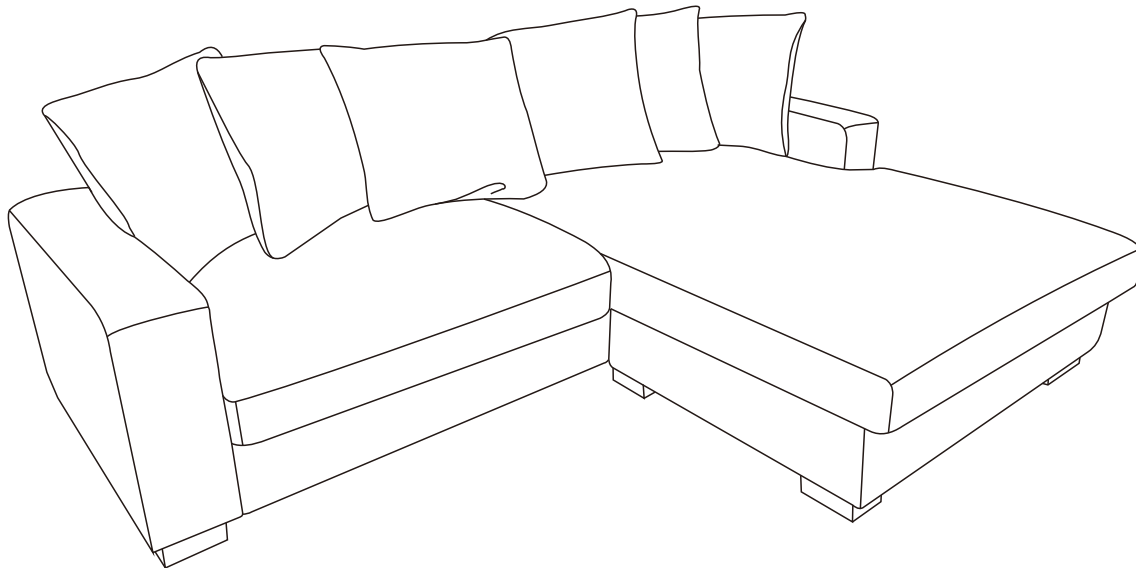
After packing up, place them somewhere dry and ventilated. After about 72-96 hours, it can be restored to the best-use condition.

Sleep Sofa

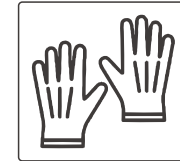
Assembly Instructions - Please keep for reference

Note:

Delivered with **TWO PACKAGES** with **TWO TRACKINGS**, may **NOT** be delivered at the same time.



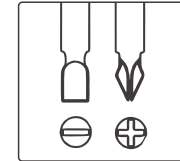
2 people needed



Work gloves



Tape measure



Other Tools Required
Phillips Screwdriver
(Not Included)

SIMPLE ASSEMBLY STEPS

1. Read the manual carefully.
2. Check all parts and hardware.
3. Prepare necessary tools.
4. Have at least two adults for assembly.

Please follow the instructions and use a sanitary napkin to protect the product during your assembly process.

Note:

1.The assembly should be done on a flat surface to maintain balance.

2.Do not tighten the screws before the assembly is complete.

To make the assembly process easier and better, two or more adults are needed.

Important - Please read these instructions fully before starting assembly

CUSTOMER SERVICE GUIDE

Thank you for choosing our product! We are committed to providing you with excellent service. If you find any missing parts, damaged packaging, or product damage after receiving all packages, please follow the steps below to quickly contact our customer service team. We will do our best to resolve your issue.

1. Missing Parts

Verify Parts:

1. Refer to the “Parts List” in the manual to verify the name, specifications, and quantity of the missing parts.
2. Take a clear photo of the parts list and mark the missing parts with detailed information, e.g., “Missing 5 pieces of M6x30mm screws.”

Contact Us:

- By Email:

Send an email to service@grandtunnel.com, with the subject line “Missing Parts Issue.” Include the following in the email:

- A description of the missing parts and a photo of the parts list.
- Order details (order number, purchase platform, purchase date).

2. Product or Packaging Damage

If it affects normal use:

Steps:

1. Take clear photos or videos showing the damaged parts and the extent of the damage (multi-angle shots are recommended).
2. Email the photos/videos along with other details to service@grandtunnel.com, with the subject line “Product Damage Issue.”

Resolution:

After verification, we will arrange for a replacement part, product exchange, or refund as quickly as possible.

If it does not affect normal use:

Steps:

1. Contact our customer service team (by email: service@grandtunnel.com).
2. Provide a description of the damage and include relevant photos or videos.

Resolution:

We will provide repair guidance or an appropriate compensation plan based on the specific situation.

Contact Us:

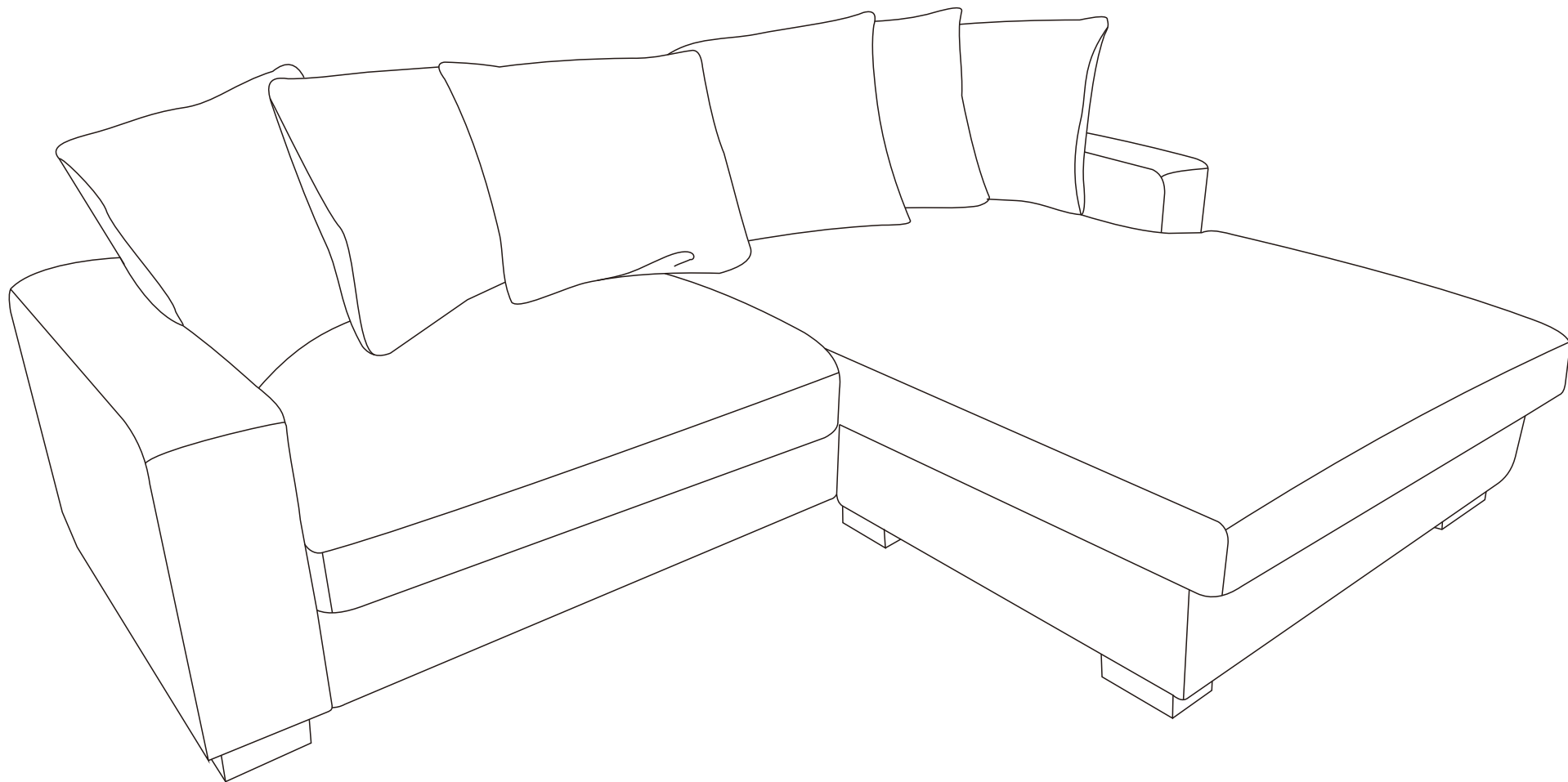
- Customer Service Email: service@grandtunnel.com

Helpful Tips

To process your issue efficiently, please prepare the following information:

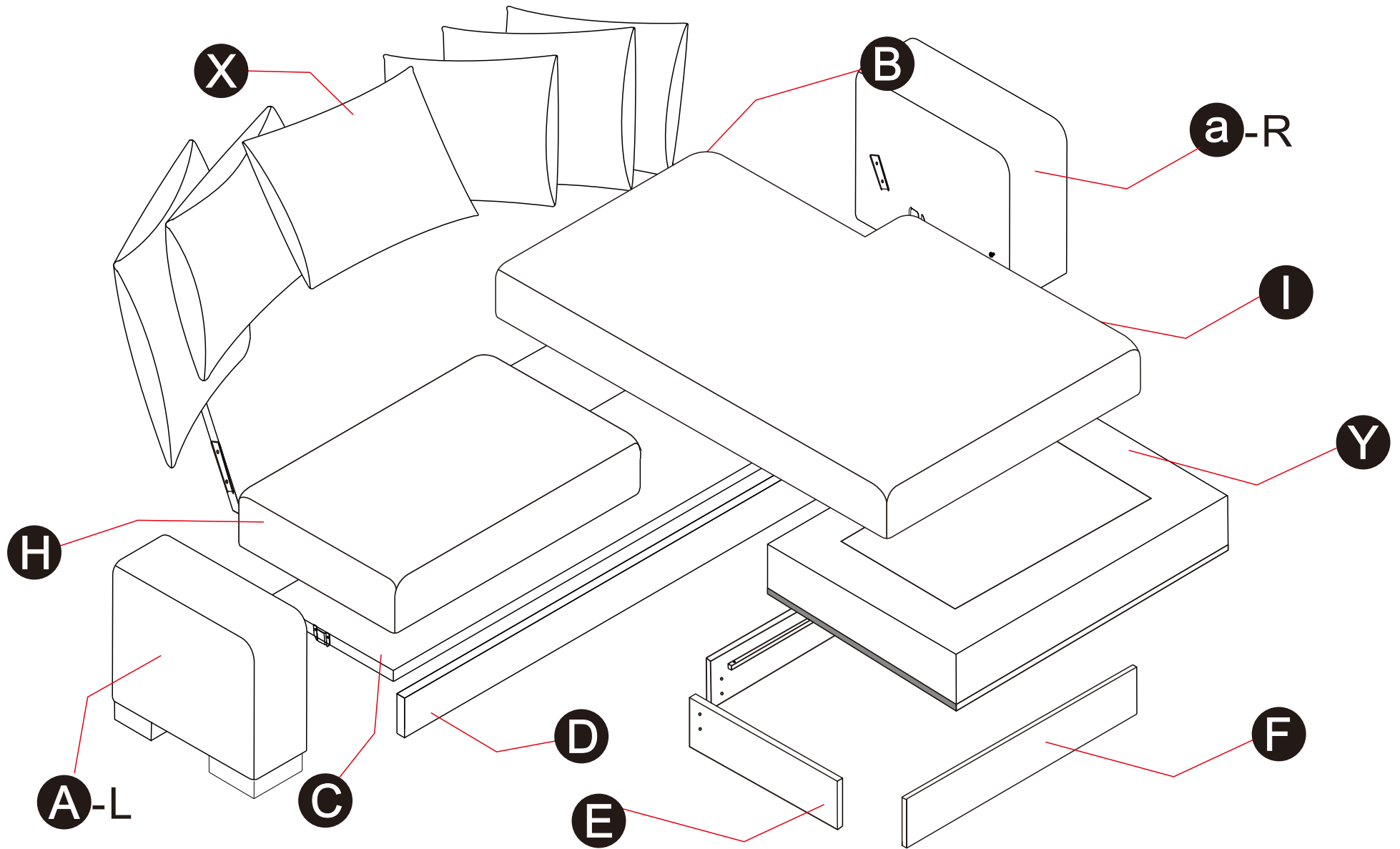
- Order details (order number, purchase platform, purchase date).
- Clear photos or videos.
- We are committed to providing quick and professional solutions, no matter the size of the issue, to ensure your satisfaction.

Thank you for your trust and support! We hope you enjoy using our product!

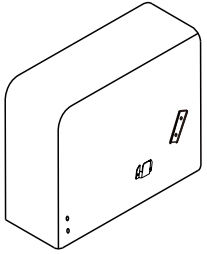
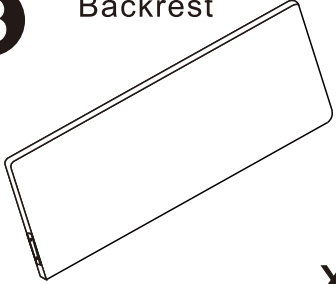
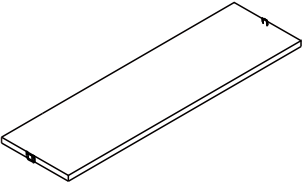
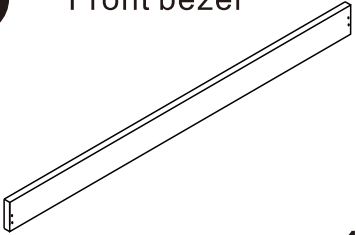
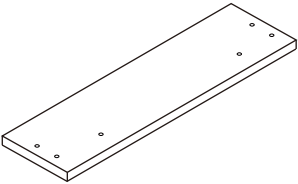
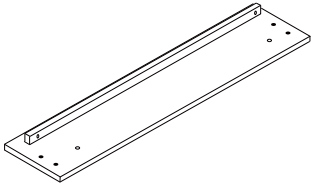
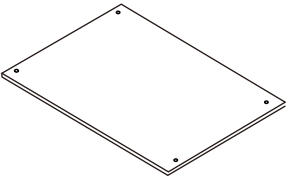
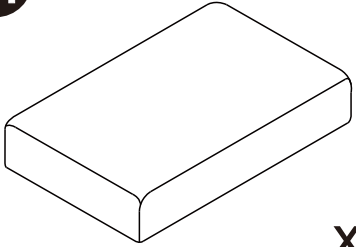
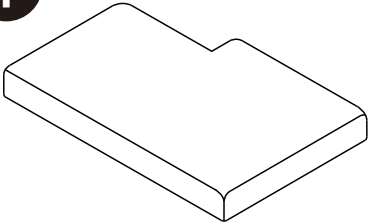
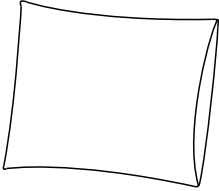
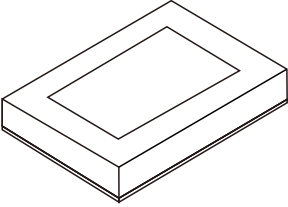
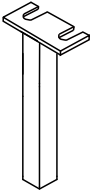
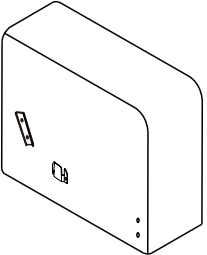


Before starting assembly, determine where the sofa will be placed and the orientation you want it to be.

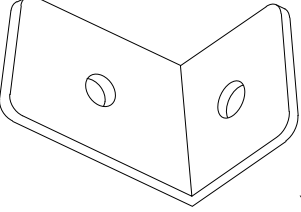
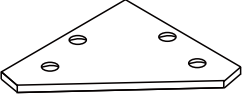
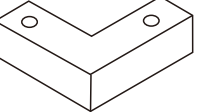
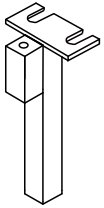
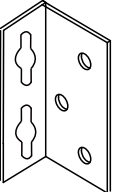
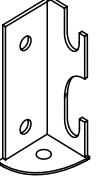
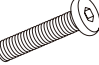
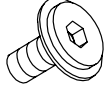
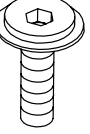
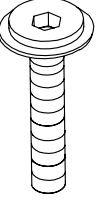
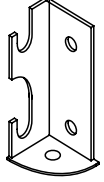

SOFA



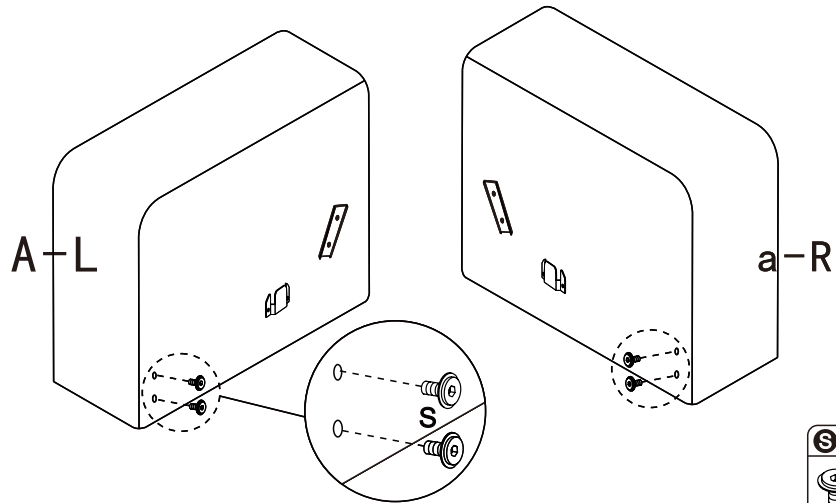
Main structure accessories

<p>A Left armrest L</p>  <p>x1</p>	<p>B Backrest</p>  <p>x1</p>	<p>C Pedestal frame</p>  <p>x1</p>	<p>D Front bezel</p>  <p>x1</p>
<p>E Pedal side board</p>  <p>x2</p>	<p>F Pedal the front and rear flaps</p>  <p>x2</p>	<p>G Pedal iron frame</p>  <p>x2</p>	<p>H Seat cushion bag</p>  <p>x1</p>
<p>I chaise cushion</p>  <p>x1</p>	<p>X Backpack</p>  <p>x6</p>	<p>Y Pedal cover</p>  <p>x1</p>	<p>Z Postmedian crura</p>  <p>x2</p>
<p>a Right armrest R</p>  <p>x1</p>			



Main structure accessories

<p>J L-shaped hanging piece</p>  <p>x8</p>	<p>K Push the foot board</p>  <p>x4</p>	<p>M Plastic feet</p>  <p>x8</p>	<p>P Premedian crura</p>  <p>x2</p>
<p>O Hanging film</p>  <p>x2</p>	<p>N Left Angle hanging L</p>  <p>x2</p>	<p>Q</p>  <p>M6*35mm Ø1/4*1-3/8" x16</p>	<p>S</p>  <p>M8*18mm Ø5/16*5-7" x42</p>
<p>T</p>  <p>M6*25mm Ø1/4*1" x8</p>	<p>U</p>  <p>M8*55mm Ø5/16*1-3/8/" x10</p>	<p>n Right Angle hangerR</p>  <p>x2</p>	<p>W</p>  <p>x1</p>

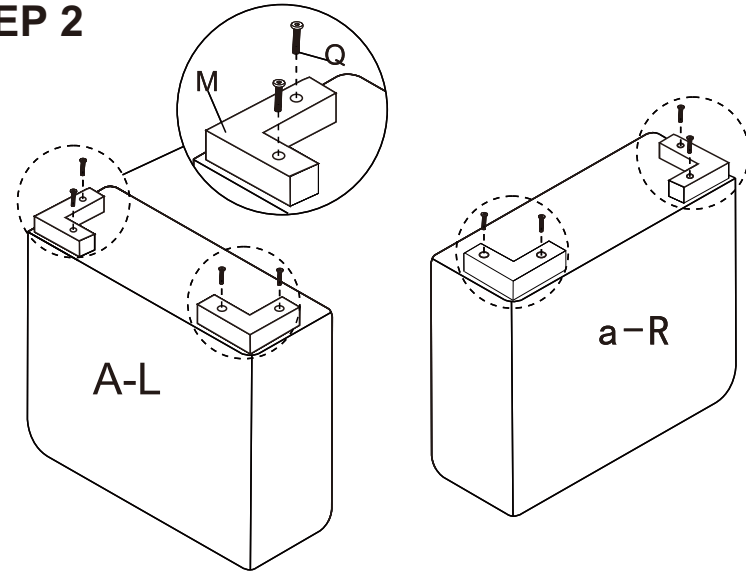
STEP 1






Partially install the (S) screws into the (A-L, a-R) armrests, tightening them to 50%.

S	x4
	M8*18mm Ø5/16*5-7"
W	x1
	

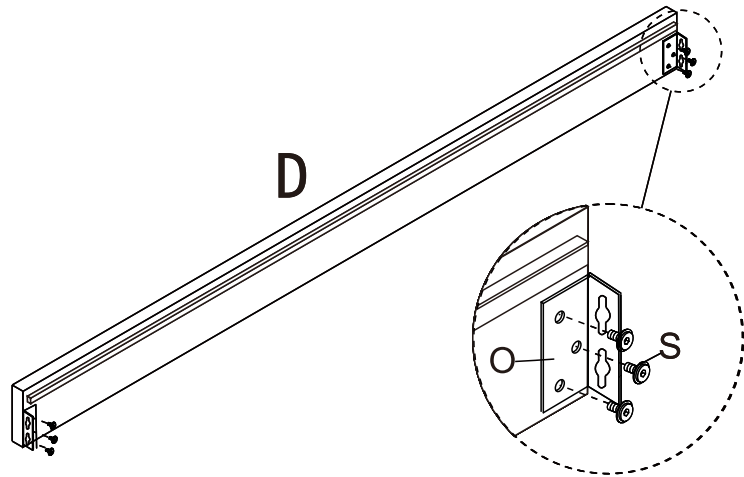
STEP 2






Attach the (M) plastic legs to the (A-L, a-R) armrests and secure them using (Q) screws.

M	x4
	
Q	x8
	M6*35mm Ø1/4*1-3/8"
W	x1
	

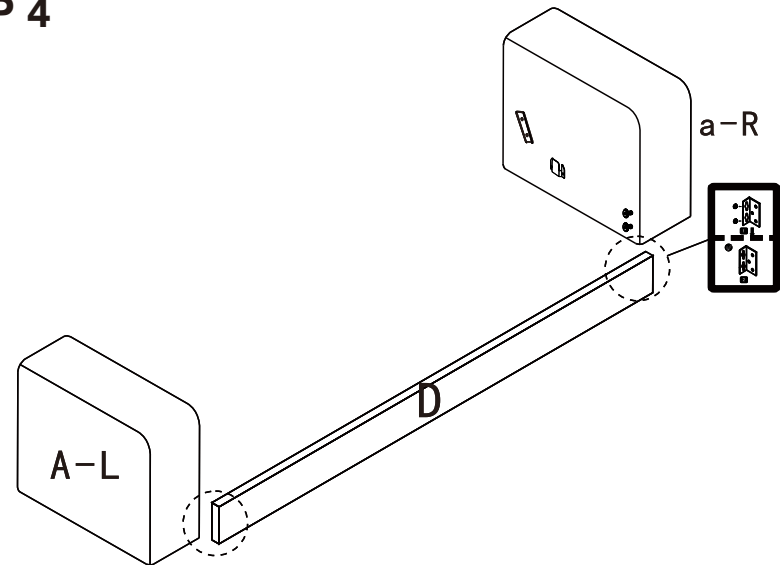
STEP 3



Install the (O) hooks onto the (D) front frame panel and secure them using (S) screws.

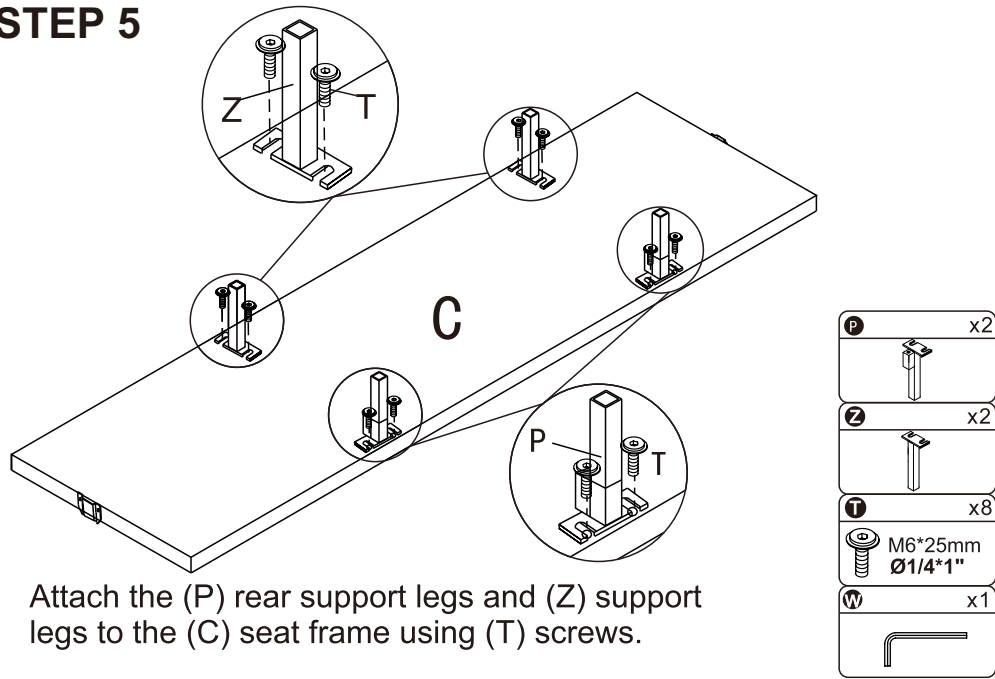
O	x2
	
S	x6
	M8*18mm Ø5/16*5-7"
W	x1
	

STEP 4

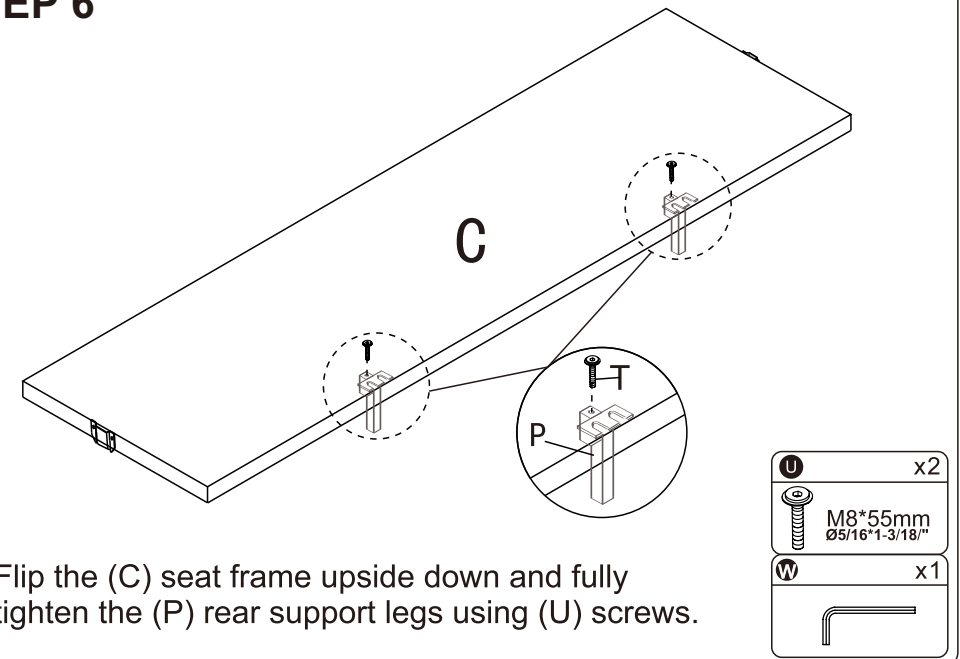


Connect the pre-installed (D) front frame panel to the (A-L, a-R) armrests.

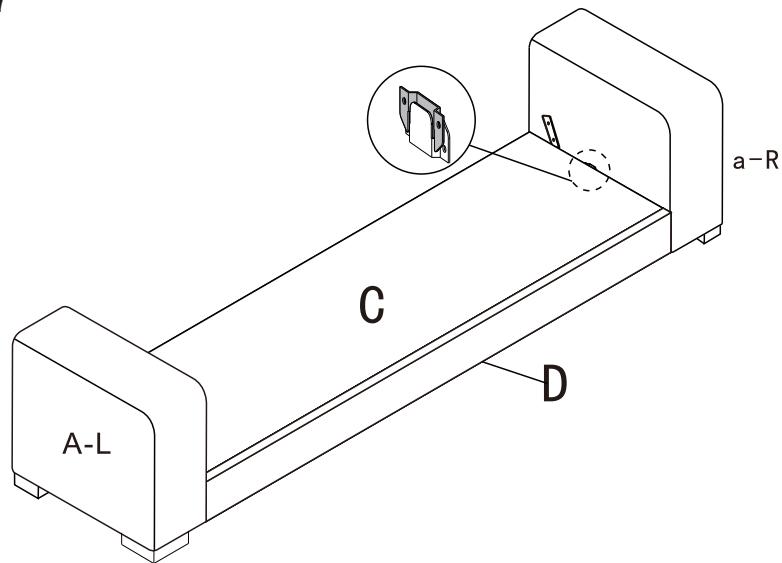
STEP 5



STEP 6

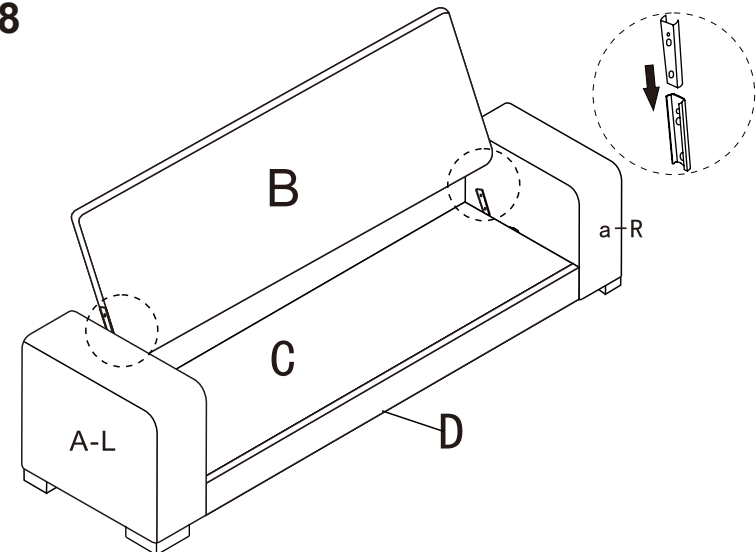


STEP 7



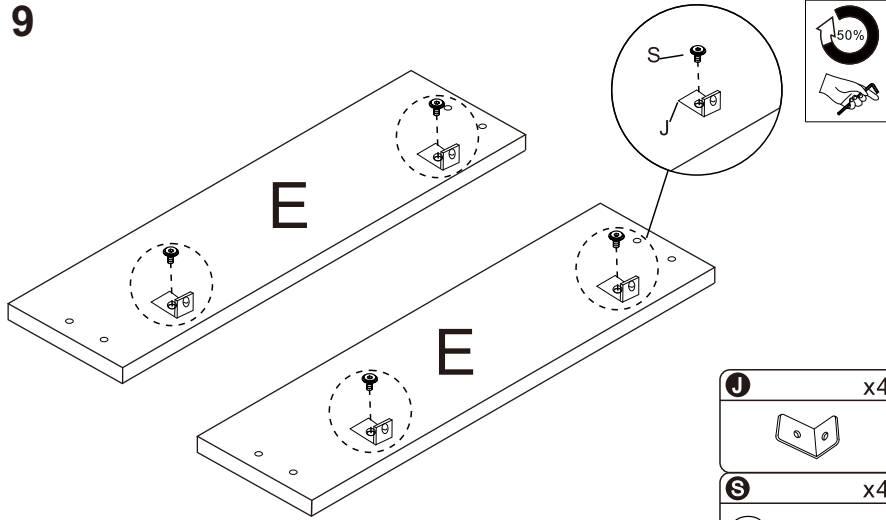
Connect the assembled (C) seat frame to the (A-L, a-R) armrests using the "mountain"-shaped connecting brackets.

STEP 8



Align the multi-color connecting pieces on both sides of the (B) backrest with the metal slots on the (A-L, a-R) armrests, and insert them downward horizontally until fully secured.

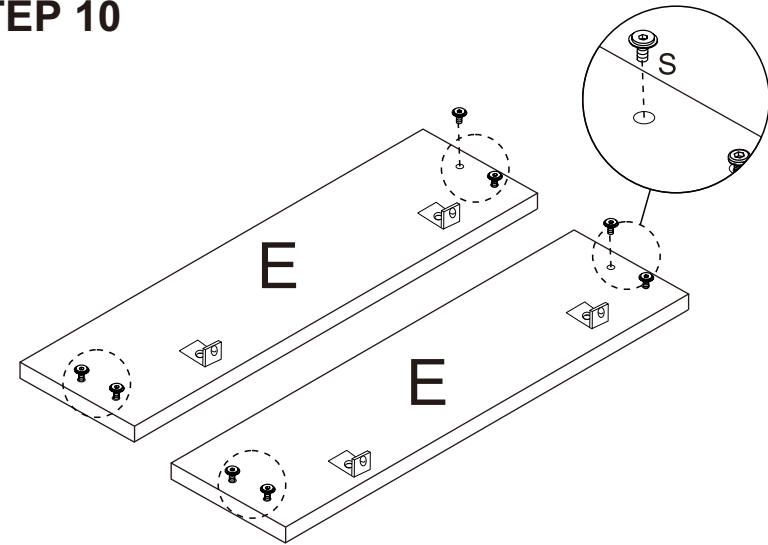
STEP 9



Install the L-shaped metal bracket (J) onto side panel (E), making sure the longer side is mounted onto the panel. Tighten the screws to 50% to allow for further assembly.

J	x4
S	x4
 M8*18mm Ø5/16*5-7"	
W	x1

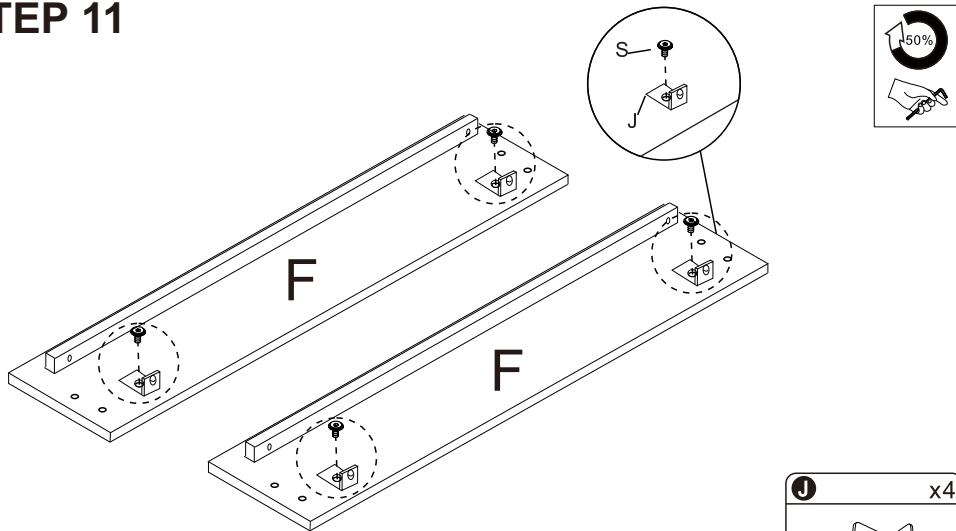
STEP 10



Partially install the (S) screws into the (E) side panels, tightening them to 50%.

S	x8
 M8*18mm Ø5/16*5-7"	
W	x1

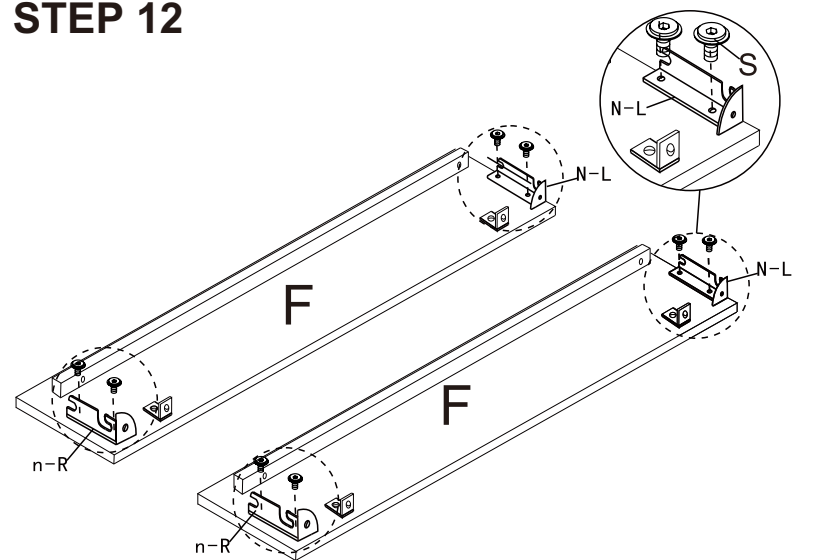
STEP 11



Install the L-shaped metal bracket (J) onto side panel (F), making sure the longer side is mounted onto the panel. Tighten the screws to 50% to allow for further assembly.

J	x4
S	x4
 M8*18mm Ø5/16*5-7"	

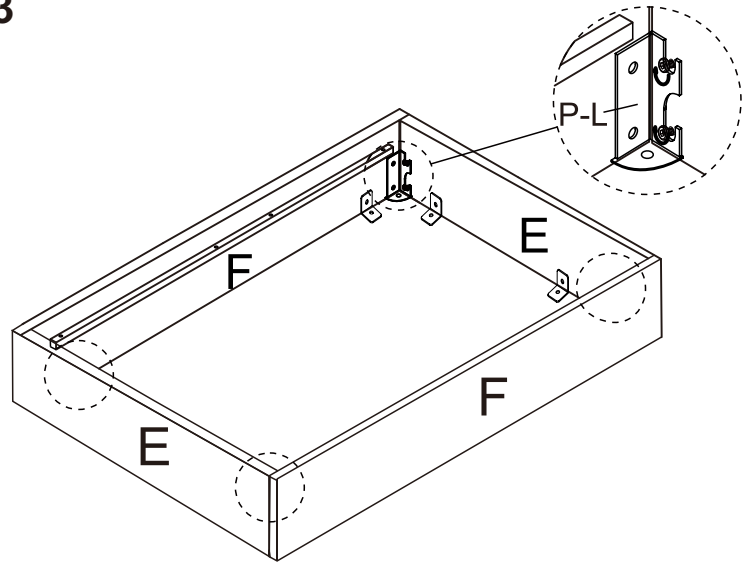
STEP 12



Install the (N-L, n-R) right-angle hooks onto the (F) front and rear panels and fasten them using (S) screws.

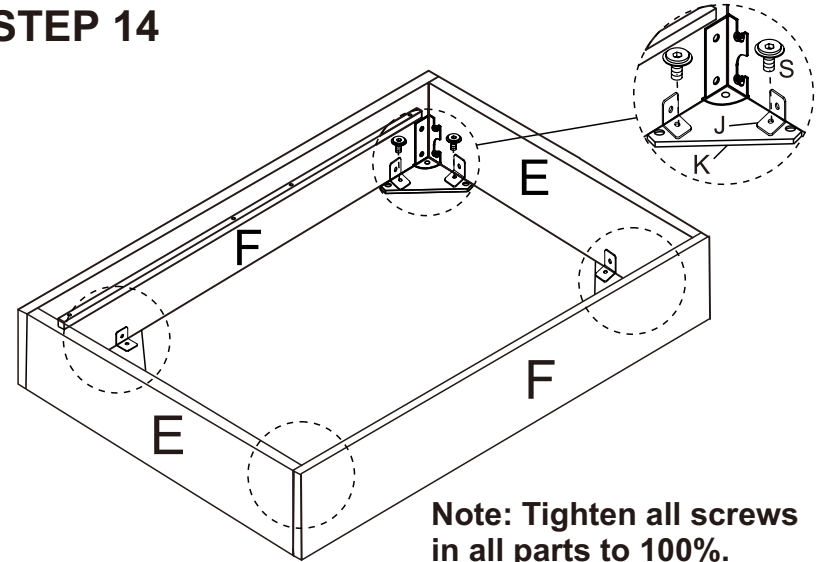
n	x2
N	x2
S	x8
 M8*18mm Ø5/16*5-7"	
W	x1

STEP 13



Attach the pre-installed (E) side panels onto the (F) front and rear panels and fully tighten the screws.

STEP 14

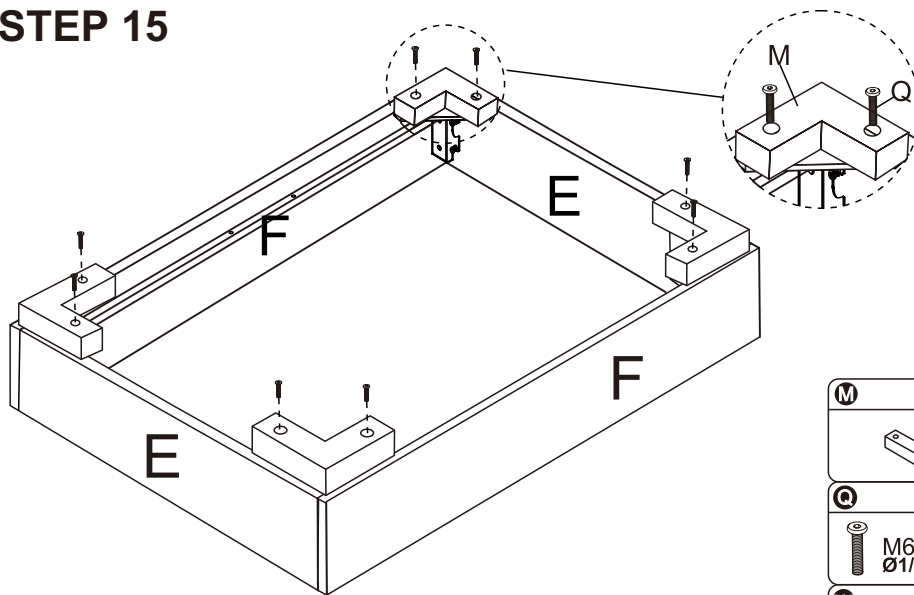


Note: Tighten all screws in all parts to 100%.

Install the (K) sliding footboard onto the (J) "L"-shaped corner brackets and secure it using (S) screws.

K	x4
S	x8
	M8*18mm Ø5/16*5-7"
W	x1

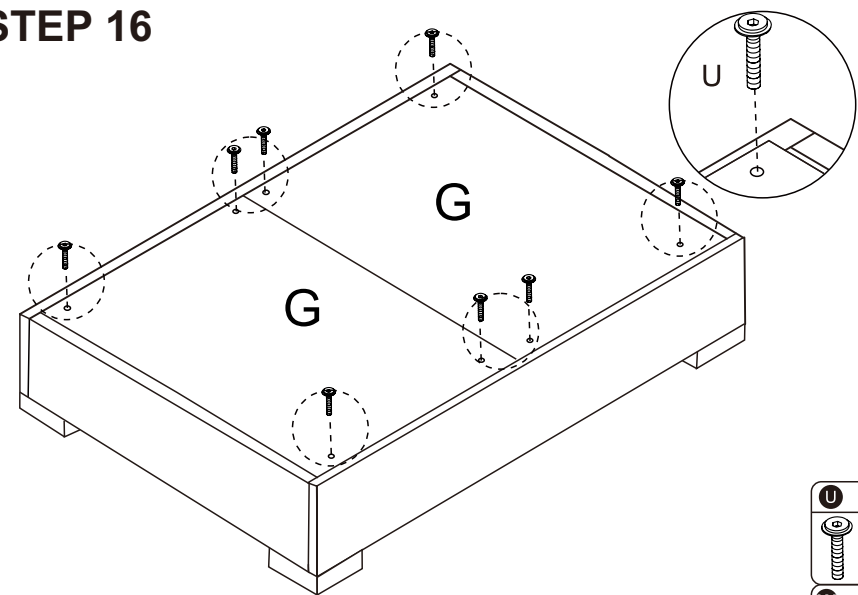
STEP 15



Attach the (M) plastic legs to the footrest frame, align them with the holes, and secure them using (Q) screws.

M	x4
Q	x8
	M6*35mm Ø1/4*1-3/8"
W	x1

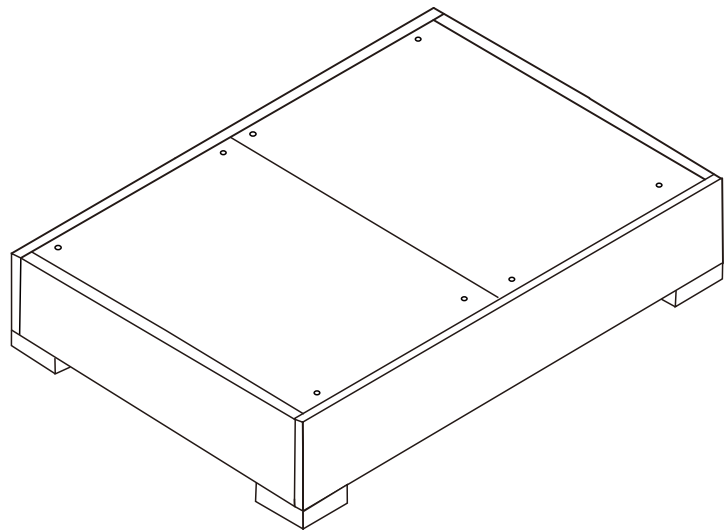
STEP 16



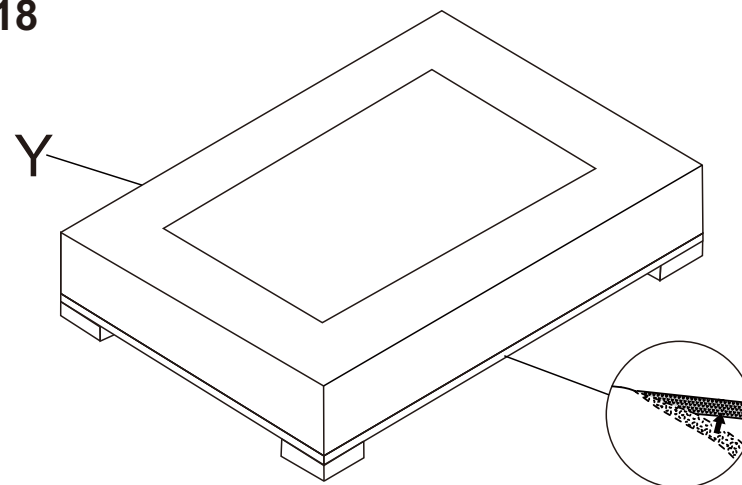
Install the (G) pedal board onto the (E, F) frame using (U) screws.

U	x8
	M8*55mm Ø5/16*1-3/8"
W	x1

STEP 17



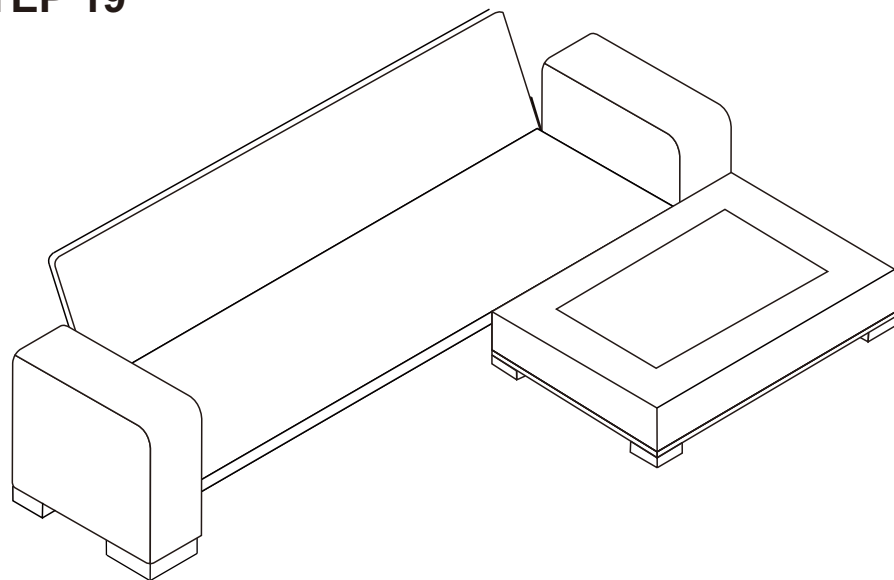
STEP 18



Install the (Y) footboard fabric cover over the footrest frame and smooth out the Velcro fasteners.

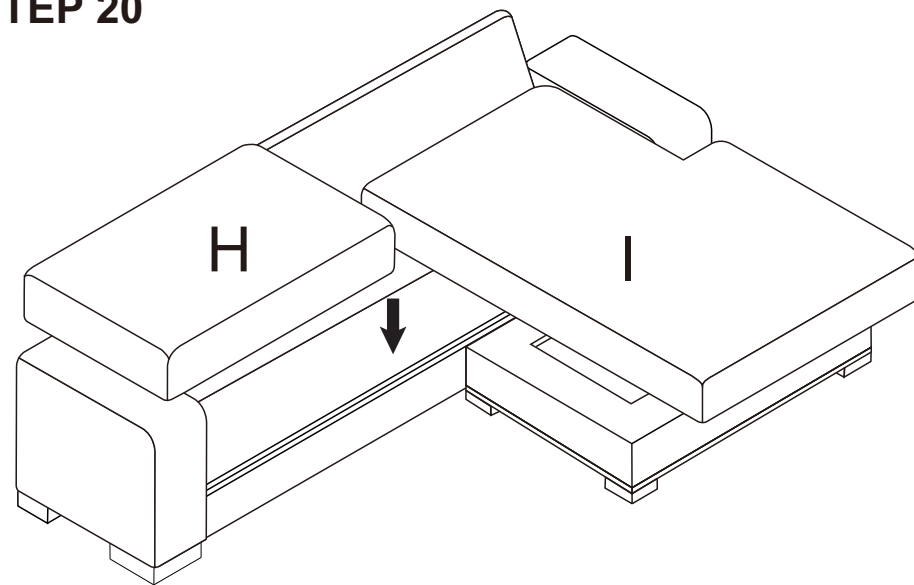
Note: Be sure to remove the protective film from the Velcro before attaching it.

STEP 19



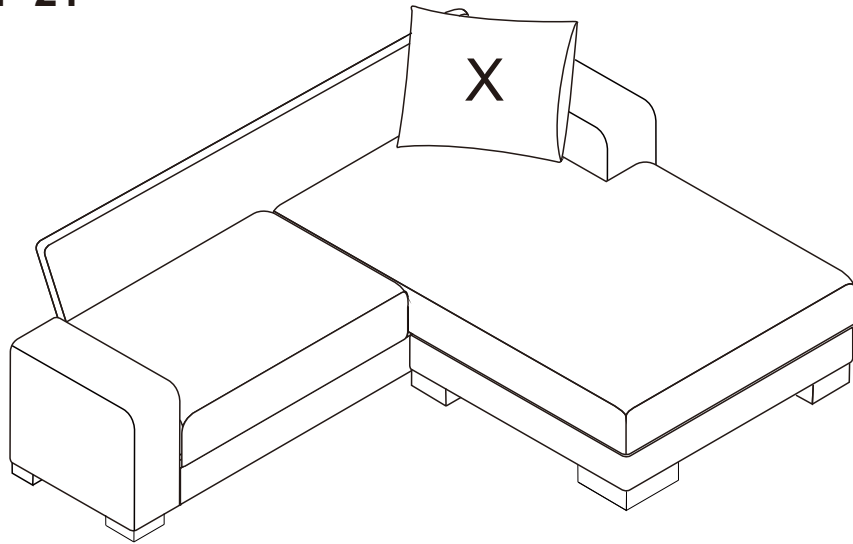
Attach the footrest to the main sofa structure.

STEP 20



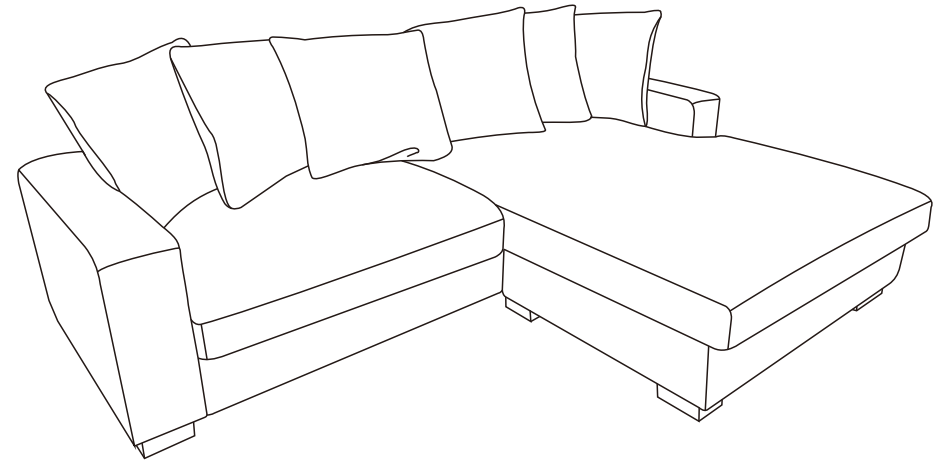
Place the (H, I) seat cushions on the sofa.

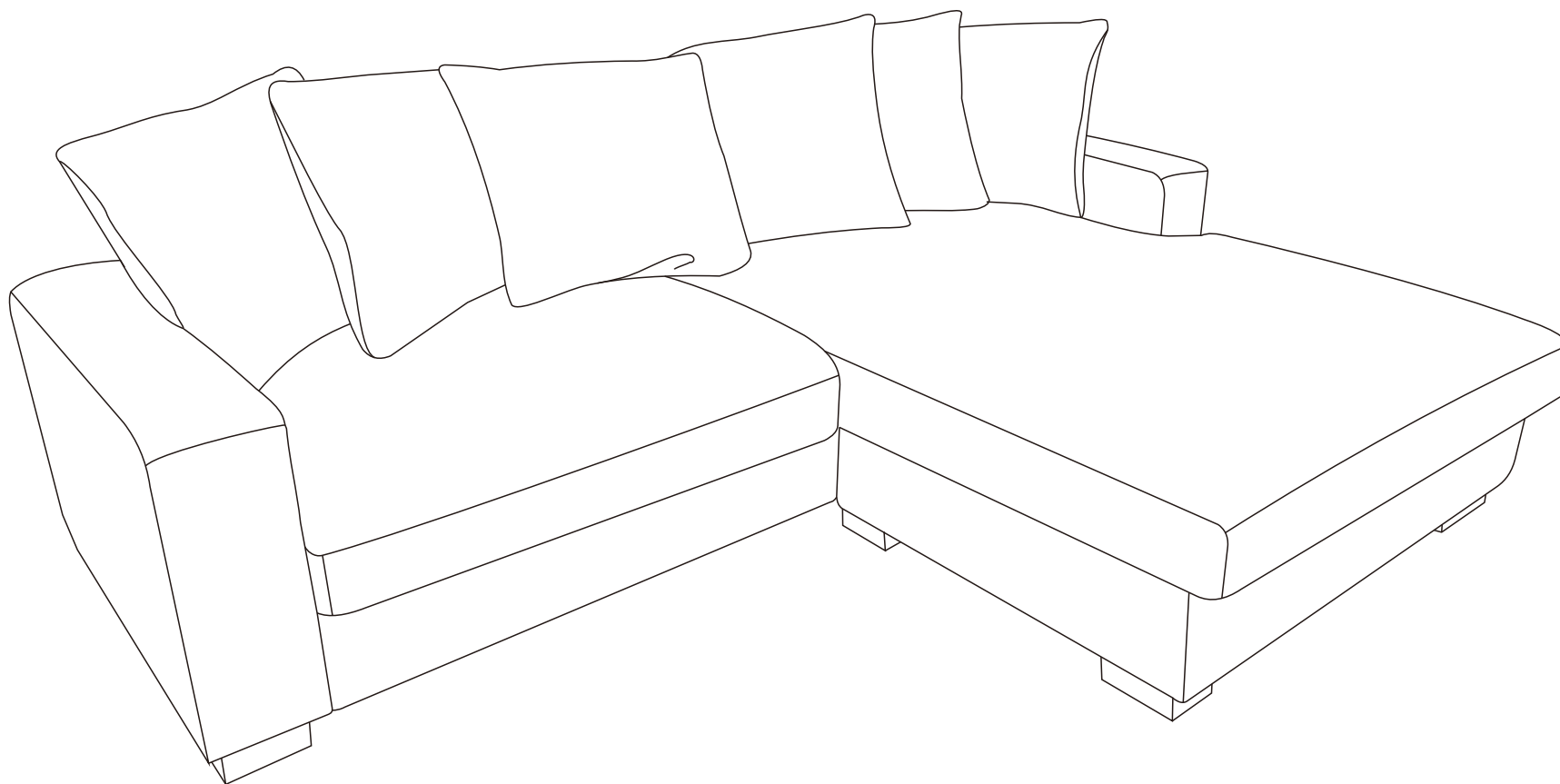
STEP 21



Position the (X) back cushion in place between the sofa backrest and armrests.

STEP 22



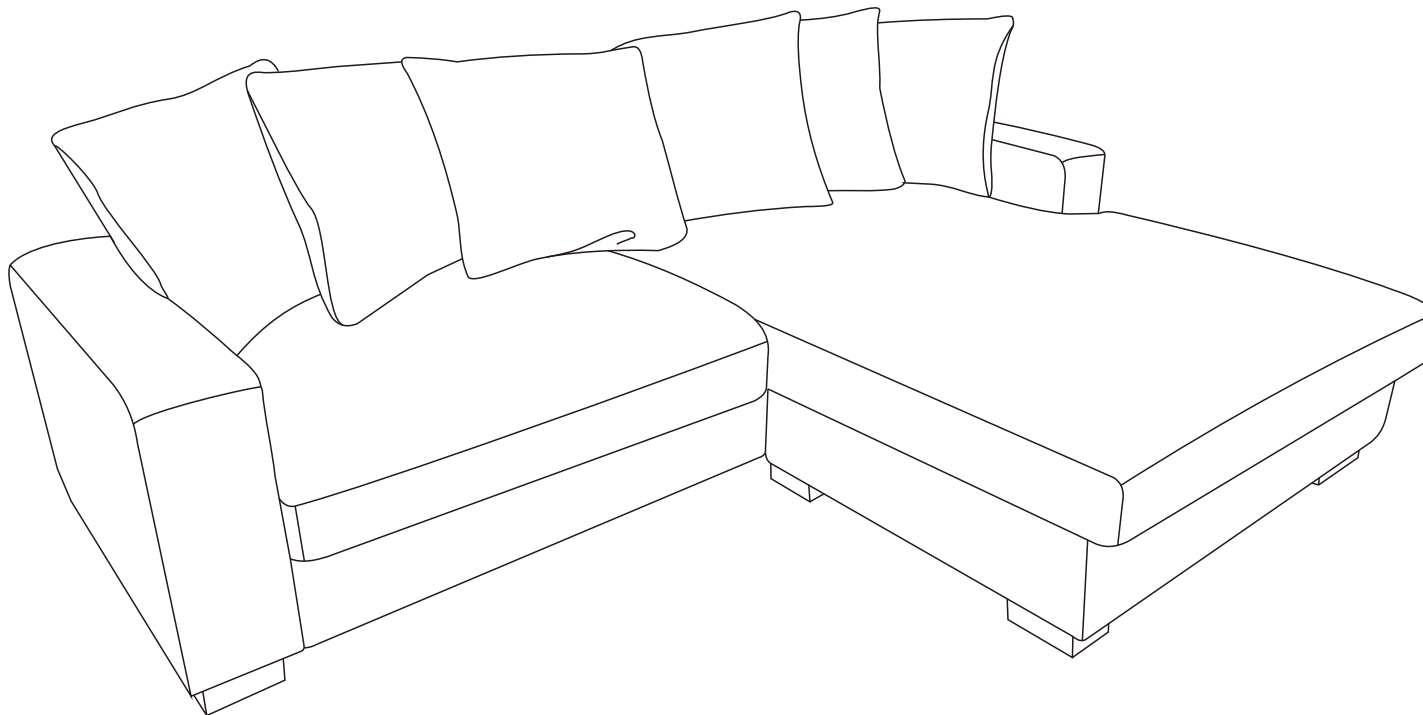


Maintenance

1. Keep a gap of 0.5-1 cm between the wall part of the sofa and the wall.
2. Avoid direct sunlight, preferably placed in a place that can avoid sunlight, or use translucent tulle curtains to block the sun.
3. Vacuum at least once a week, paying particular attention to removing dust accumulation between fabric structures.
4. Sofa cushions are turned over once a week to evenly distribute wear.
5. If stained, use a clean cloth dipped in water to wipe. In order to avoid leaving marks, it is best to wipe from the periphery of the stain. Velvet furniture should not be dipped in water and should use a dry cleaning agent.
6. All cloth covers and bushings should be dry-cleaned, not washed, not bleached.
7. If you find loose thread, do not tear it with your hand; it is best to cut the thread neatly with scissors.

Sofá Modular

Instrucciones de Ensamblaje



1. El producto viene en 2 cajas, por favor no desempaque ni proceda con la instalación hasta recibir ambas cajas.
2. Las instrucciones de ensamblaje (ubicadas en la Caja 1) y los accesorios de herrajes (ubicados en la Caja 1) deben ser localizados antes de comenzar la instalación.



Antes de la Instalación

¡Gracias por elegir nuestro producto! Para garantizar un proceso de instalación sin inconvenientes, lea detenidamente esta guía para familiarizarse con las herramientas, materiales y pasos de instalación requeridos. Siga las secciones correspondientes para evitar daños por una instalación incorrecta y asegúrese de revisar todas las normas de seguridad y operación para un montaje adecuado.

Información de Instalación

- Toda la información de esta guía está basada en la condición del producto en el momento de la impresión. Nos reservamos el derecho de modificar las características del producto, el embalaje o la disponibilidad sin previo aviso.
- Antes de instalar el mueble, asegúrese de que todas las preparaciones eléctricas o ambientales necesarias estén completadas.
- Este manual contiene instrucciones importantes sobre la instalación, limpieza y mantenimiento. Lea el documento en su totalidad y consérvelo para futuras referencias.

Lista de Verificación Antes de la Instalación

1. Inspeccione cuidadosamente el producto nuevo para detectar posibles daños o defectos.
2. Asegúrese de realizar la instalación en una superficie limpia y plana para mantener el equilibrio y la estabilidad.
3. Evite la exposición prolongada del producto a ambientes húmedos o luz solar directa.
4. Manipule el producto con cuidado durante la instalación. Utilice materiales protectores (por ejemplo, almohadillas suaves) para prevenir rayones.
5. Para cualquier consulta o asistencia técnica, consulte la guía de servicio al cliente y comuníquese con el servicio de atención al cliente del vendedor.

Recomendaciones de Uso y Mantenimiento

1. Limpie el mueble regularmente para mantener la higiene y evitar el crecimiento de bacterias. Utilice un paño húmedo bien escurrido para evitar rayar la superficie.
2. Evite el contacto con líquidos corrosivos ácidos o alcalinos.
3. No utilice piezas de repuesto no autorizadas. Para piezas de repuesto, comuníquese con el fabricante o distribuidor.
4. No lave ni enjuague ninguna parte de este producto en la lavadora o con agua.



Advertencias de Seguridad

1. Etiquetas de advertencia:

No retire las etiquetas de advertencia del producto o embalaje y siga siempre las instrucciones indicadas.

2. Inspecciones regulares:

Revise periódicamente todas las piezas del producto para asegurarse de que estén correctamente instaladas, sin daños y con todos los conectores bien ajustados.

3. Uso seguro:

No se suba, juegue ni salte sobre o debajo del sofá, ya que esto podría dañar tanto el producto como a los usuarios.

4. Peligro por cuerdas:

No ate cuerdas, ganchos, correas u otros objetos no previstos en ninguna parte del producto.

5. Conservación del manual:

Guarde este manual para futuras consultas.

6. Responsabilidad compartida:

La seguridad es una responsabilidad compartida entre el fabricante y el usuario. Siga siempre las normas de seguridad al usar el producto.

Aviso Legal

Estamos comprometidos en ofrecer productos seguros y confiables. Si tiene alguna pregunta sobre este producto o necesita asistencia adicional, comuníquese con nuestro equipo de servicio al cliente. Estamos aquí para ayudarle.

Aviso para el Vendedor

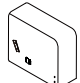
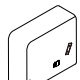

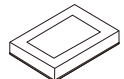
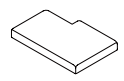
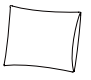
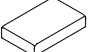
Nuestro producto se embala en cajas separadas, tal como se indica a continuación, y pueden ser enviadas en diferentes lotes. Espere hasta recibir todas las cajas antes de comenzar el ensamblaje.

Nota: Las instrucciones de ensamblaje solo se incluyen en la Caja 1.








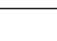
La siguiente es la lista de componentes contenidos en estas cajas








CAJA 1 Estructura principal y accesorios

a		R	Reposabrazos derecho	x1
A		L	Reposabrazos izquierdo	x1
F			Paneles delantero y trasero del reposapiés	x2
Y			Funda del reposapiés	x1
I			Cojín del chaise longue	x1
X			Mochila	x4
H			Bolsa de cojines del asiento	x1

Bolsa de accesorios

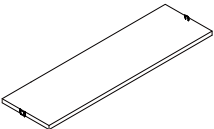
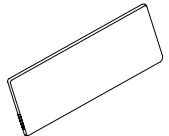
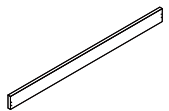
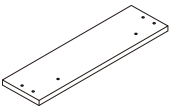

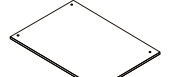
M		Pie de plástico	x8
J		Pieza colgante en forma de "L"	x8
O		Película colgante	x2
N		Colgador angular izquierdo	x2
n		Colgador angular derecho	x2
K		Tablero deslizante del reposapiés	x4
Z		Pata de soporte trasera	x2
P		Pata de soporte delantera	x2

Bolsa de herrajes

Q		M6*35mm (Ø1/4*1-3/8")	x16
S		M8*18mm (Ø5/16*5-7")	x42
T		M6*25mm (Ø1/4*1")	x8
U		M8*55mm (Ø5/16*1-3/18")	x10
W			x1



CAJA 2 Estructura principal y accesorios

C			Estructura del pedestal	x1
B			Respaldo	x1
D			Panel frontal	x1
E			Panel lateral del reposapiés	x2
X			Mochila	x2
G			Estructura de hierro del reposapiés	x2

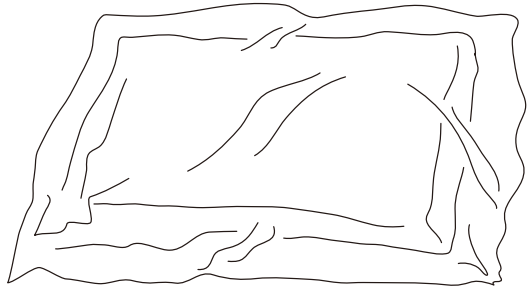
Consejos de Seguridad y Cuidado

Importante - Por favor, lea estas instrucciones completamente antes de comenzar el ensamblaje.

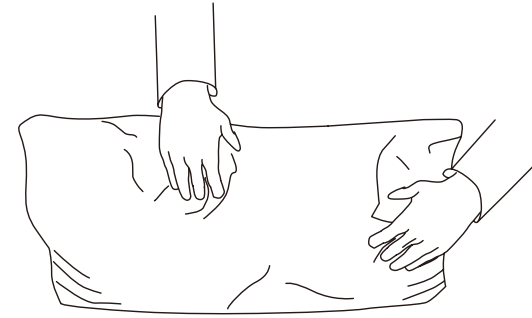
Gracias por su compra. Antes de ensamblar, siga las instrucciones para verificar que todas las piezas de repuesto y tornillos estén intactos.

- Dado el tamaño y el peso del sofá, recomendamos que dos adultos realicen el ensamblaje en una superficie alfombrada o acolchada, en la habitación donde se utilizará. Tiempo aproximado de ensamblaje: 30 minutos.
- Por favor, no deseche ningún embalaje ni las instrucciones hasta que haya verificado que todos los componentes y herrajes están completos y el mueble esté completamente ensamblado. Asegúrese de desechar el embalaje de manera segura y respetuosa con el medio ambiente.
- Mantenga todos los componentes y materiales de embalaje fuera del alcance de los niños o animales para evitar el riesgo de asfixia o sofocación.
- Por favor, no retire la funda y no lave el sofá.

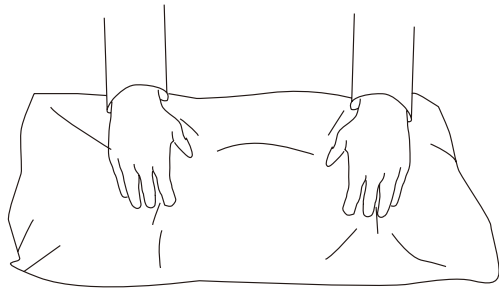
Sus cojines vienen sellados y envasados al vacío para el envío. Para restaurar la forma original del cojín, siga los pasos a continuación:



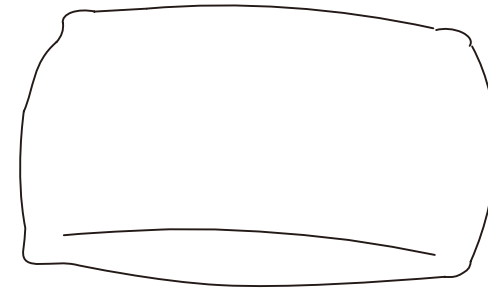
Abra cuidadosamente la bolsa de vacío.



Presione y golpee con ambas manos desde los lados para permitir la entrada de aire.



Presione y golpee con ambas manos desde el frente para inflarlo completamente.



Alise cuidadosamente cada sección hasta que la superficie esté uniforme.

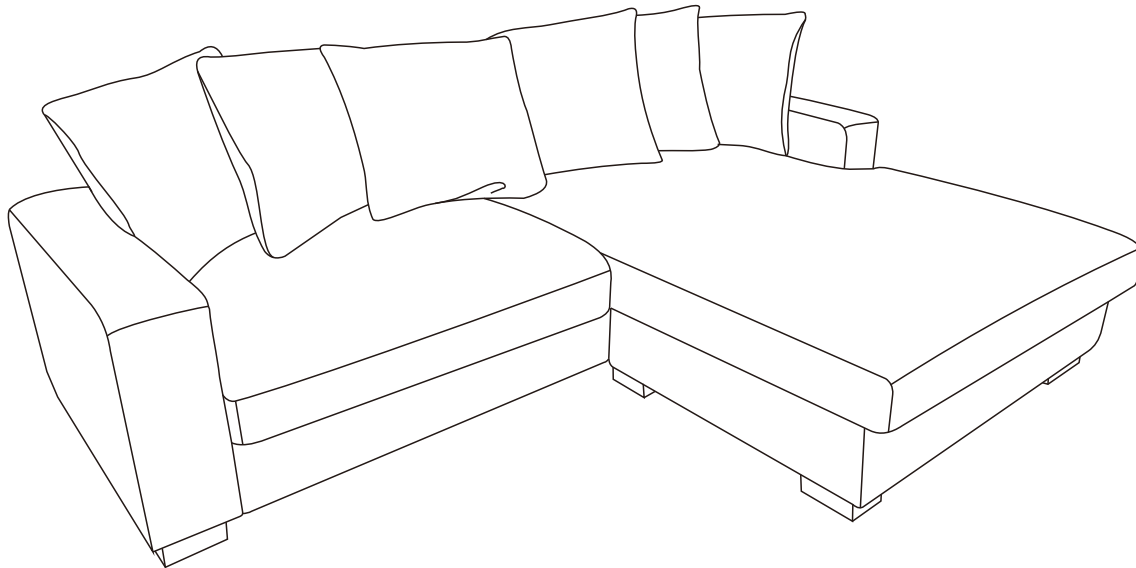
Después de desempacar, colóquelos en un lugar seco y ventilado. Después de aproximadamente 72-96 horas, recuperarán su mejor condición para su uso.

Sofá Cama

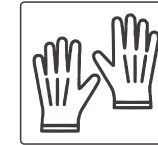
Instrucciones de Ensamblaje - Por favor, consérvelas para futura referencia

Nota:

El producto se entrega en **DOS PAQUETES** con **DOS NÚMEROS DE SEGUIMIENTO**, es posible que **NO** sean entregados al mismo tiempo.



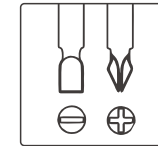
Se requieren
2 personas



Guantes de trabajo



Cinta métrica



Destornillador Phillips
(No incluido)

Pasos Simples de Ensamblaje

1. Lea el manual cuidadosamente.
2. Verifique que todas las piezas y herrajes estén completos.
3. Prepare las herramientas necesarias.
4. Asegúrese de que haya al menos dos adultos para realizar el ensamblaje.

Por favor, siga las instrucciones y utilice un paño limpio para proteger el producto durante el proceso de ensamblaje.

Nota:

- 1.El ensamblaje debe realizarse sobre una superficie plana para mantener el equilibrio del sofá.
- 2.No apriete los tornillos completamente antes de finalizar el ensamblaje.

Para facilitar el proceso y obtener un mejor resultado, se recomienda que dos o más adultos realicen el ensamblaje.

Importante - Por favor, lea estas instrucciones completamente antes de comenzar el ensamblaje.

GUÍA DE SERVICIO AL CLIENTE

Gracias por elegir nuestro producto. Estamos comprometidos a brindarle un servicio excelente. Si encuentra piezas faltantes, embalajes dañados o daños en el producto después de recibir todos los paquetes, siga los pasos a continuación para ponerse en contacto con nuestro equipo de servicio al cliente. Haremos todo lo posible por resolver su problema.

1. Piezas Faltantes

Verificar las Piezas:

1. Consulte la “Lista de Piezas” en el manual para verificar el nombre, las especificaciones y la cantidad de las piezas faltantes.
2. Tome una foto clara de la lista de piezas y marque las piezas faltantes con información detallada, por ejemplo: “Faltan 5 tornillos M6×30mm”.

Contactarnos:

Por Correo Electrónico:

Envíe un correo a service@grandtunnel.com, con el asunto “Problema de Piezas Faltantes”.

Incluya lo siguiente en el correo:

- Una descripción de las piezas faltantes y una foto de la lista de piezas.
- Detalles del pedido (número de pedido, plataforma de compra, fecha de compra).

2. Producto o Embalaje Dañado

Si afecta el uso normal:

Pasos:

1. Tome fotos o videos claros que muestren las partes dañadas y el alcance del daño (se recomienda tomar imágenes desde varios ángulos).
2. Envíe las fotos/videos junto con los detalles del pedido a service@grandtunnel.com, con el asunto “Problema de Daños en el Producto”.

Resolución:

Tras la verificación, organizaremos el envío de una pieza de repuesto, el intercambio del producto o un reembolso lo antes posible.

Si no afecta el uso normal:

Pasos:

1. Póngase en contacto con nuestro equipo de servicio al cliente (por correo electrónico: service@grandtunnel.com).
2. Proporcione una descripción del daño e incluya fotos o videos relevantes.

Resolución:

Le proporcionaremos orientación para la reparación o un plan de compensación adecuado según la situación específica.

Contáctenos

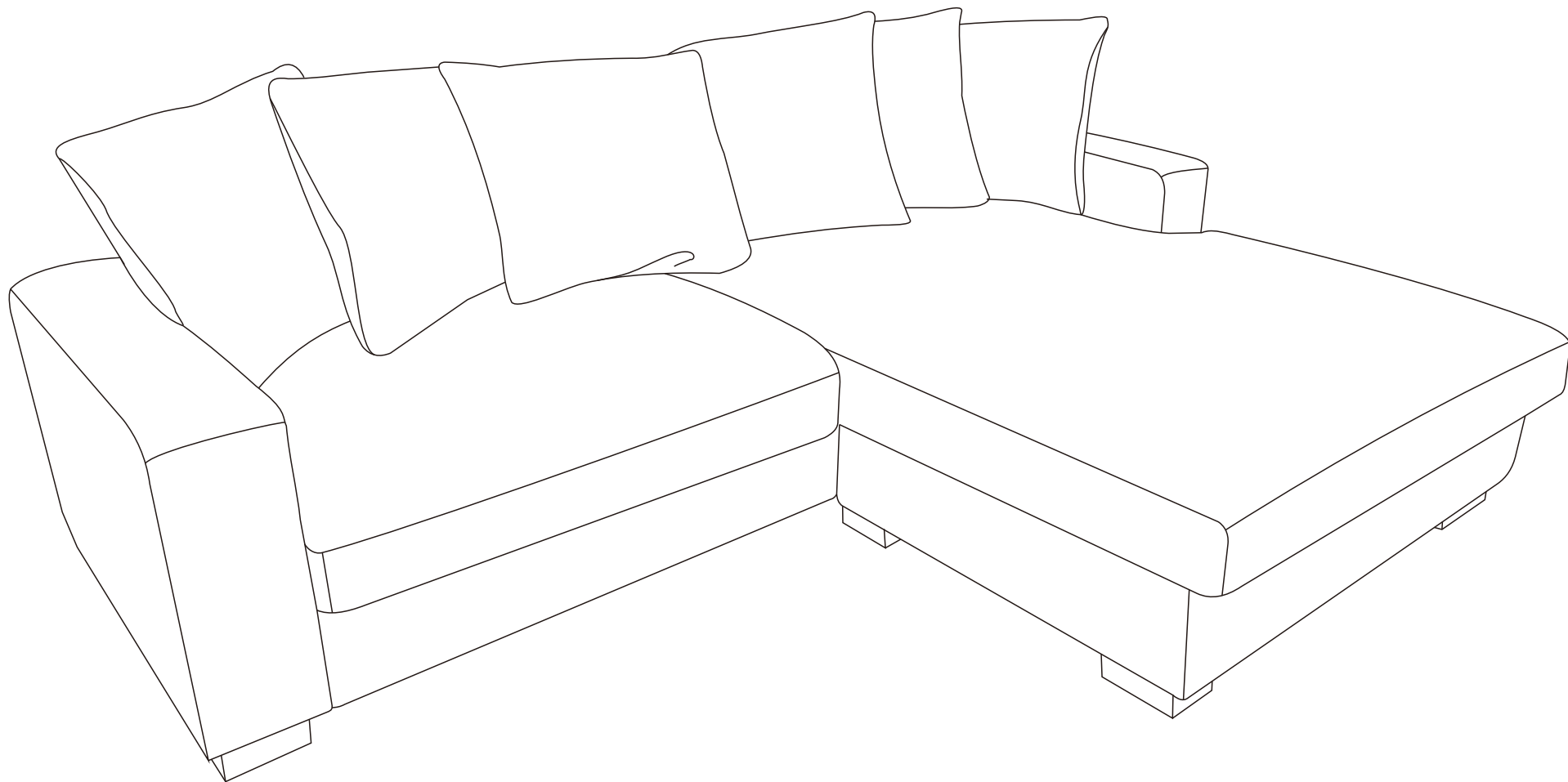
- Correo Electrónico de Servicio al Cliente: service@grandtunnel.com

Consejos Útiles:

Para procesar su solicitud de manera eficiente, prepare la siguiente información:

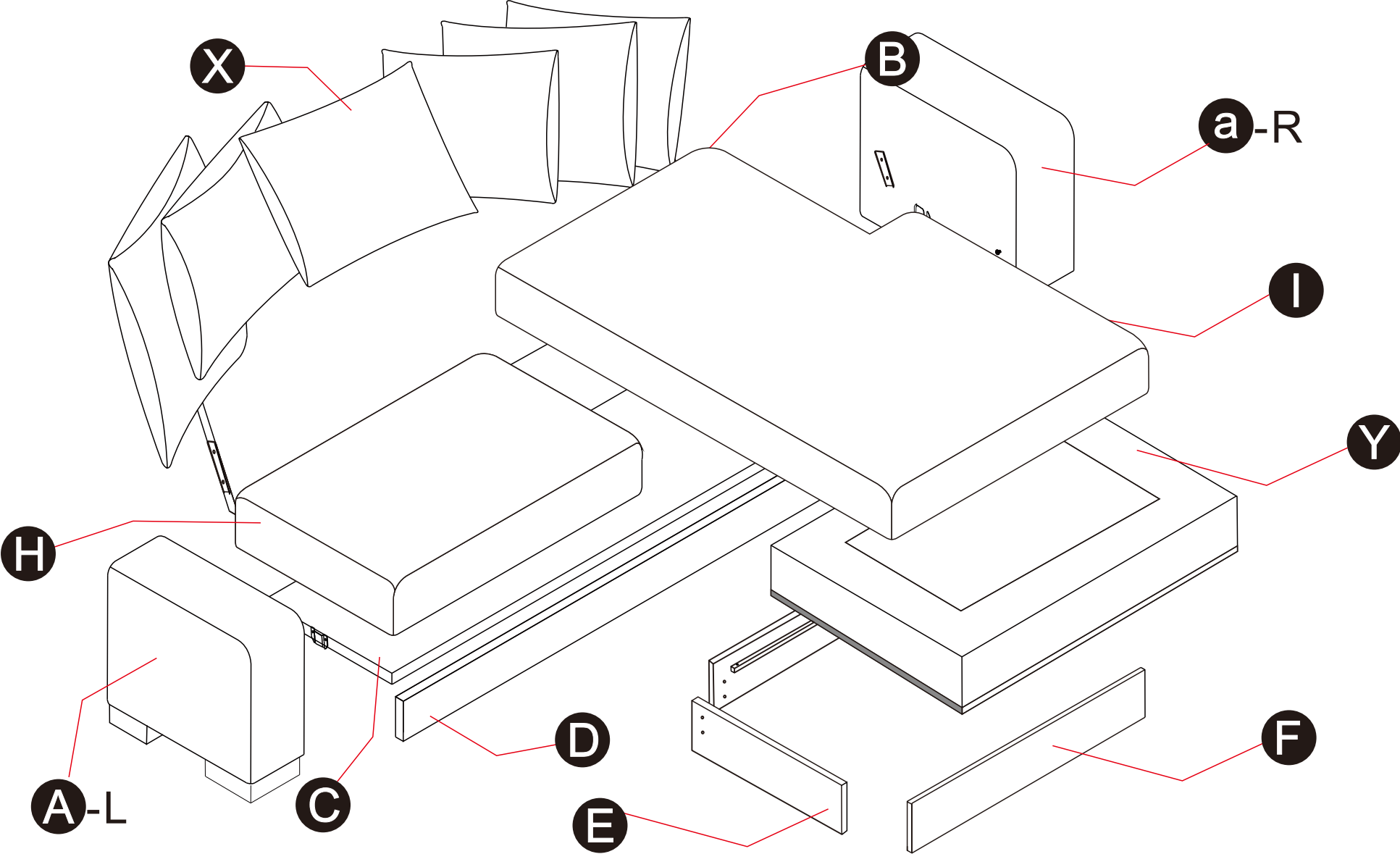
- Detalles del pedido (número de pedido, plataforma de compra, fecha de compra).
- Fotos o videos claros.
- Estamos comprometidos a ofrecer soluciones rápidas y profesionales, independientemente del tamaño del problema, para garantizar su satisfacción.

¡Gracias por su confianza y apoyo! Esperamos que disfrute de nuestro producto.

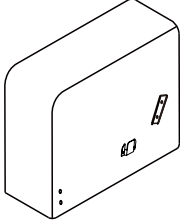
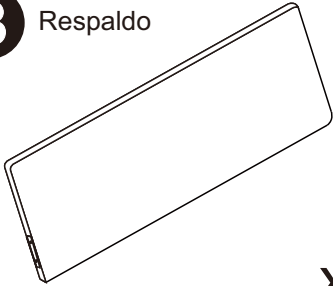
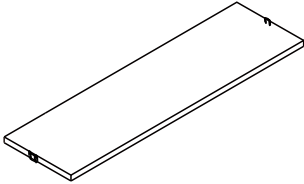
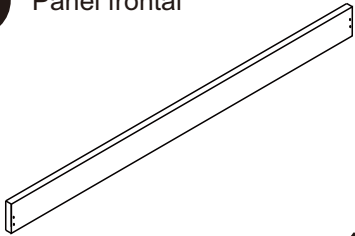
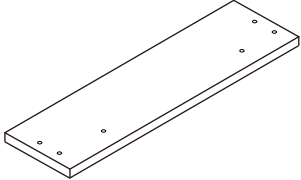
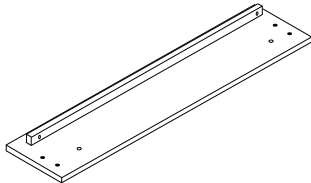
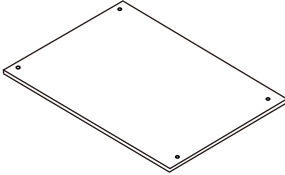
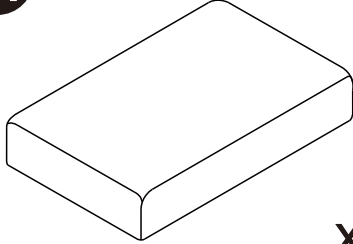
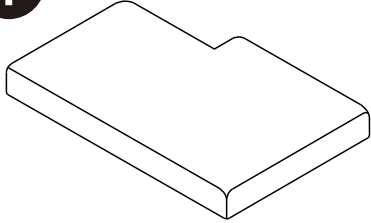
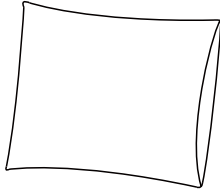
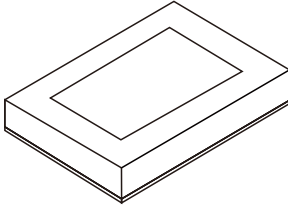
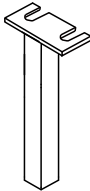
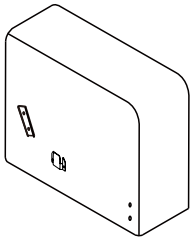


Antes de comenzar el ensamblaje, determine dónde se colocará el sofá y la orientación que desea darle.

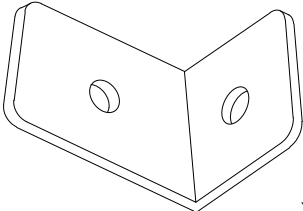
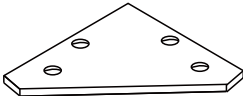
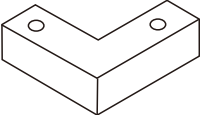
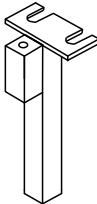
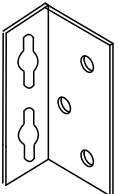
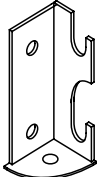
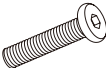
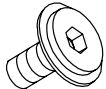
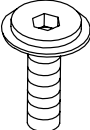
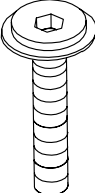
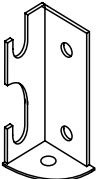

Sofá



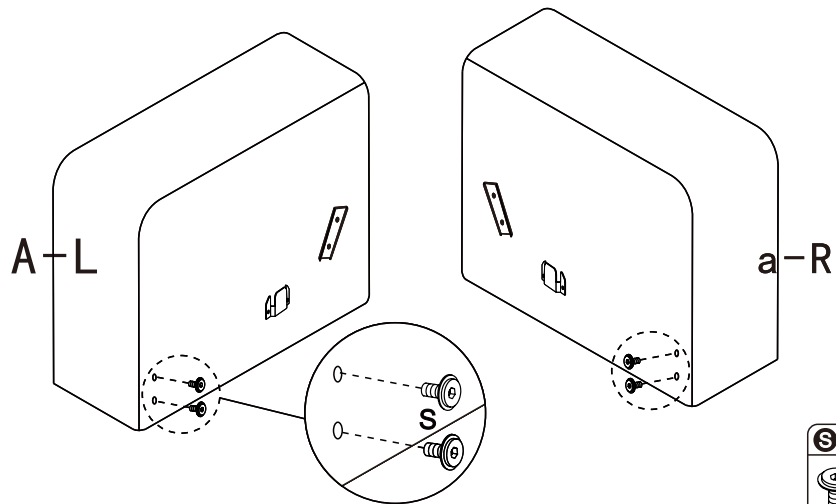
Accesorios de la estructura principal

<p>A Reposabrazos izquierdo L</p>  <p>x1</p>	<p>B Respaldo</p>  <p>x1</p>	<p>C Estructura del pedestal</p>  <p>x1</p>	<p>D Panel frontal</p>  <p>x1</p>
<p>E Panel lateral del reposapiés</p>  <p>x2</p>	<p>F Paneles delantero y trasero del reposapiés</p>  <p>x2</p>	<p>G Estructura de hierro del reposapiés</p>  <p>x2</p>	<p>H Bolsa de cojín del asiento</p>  <p>x1</p>
<p>I Cojín del chaise longue</p>  <p>x1</p>	<p>X Mochila</p>  <p>x6</p>	<p>Y Funda del reposapiés</p>  <p>x1</p>	<p>Z Pata de soporte trasera</p>  <p>x2</p>
<p>a Reposabrazos derecho R</p>  <p>x1</p>			

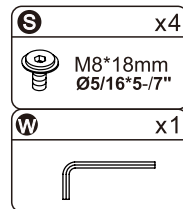
Accesorios de la estructura principal

<p>J Pieza colgante en forma de L</p>  <p>x8</p>	<p>K Tablero deslizante del reposapiés</p>  <p>x4</p>	<p>M Pie de plástico</p>  <p>x8</p>	<p>P Pata de soporte delantera</p>  <p>x2</p>
<p>O Película colgante</p>  <p>x2</p>	<p>N Colgador angular izquierdo L</p>  <p>x2</p>	<p>Q</p>  <p>M6*35mm Ø1/4*1-3/8" x16</p>	<p>S</p>  <p>M8*18mm Ø5/16*5-7/8" x42</p>
<p>T</p>  <p>M6*25mm Ø1/4*1" x8</p>	<p>U</p>  <p>M8*55mm Ø5/16*1-3/18/" x10</p>	<p>n Colgador angular derecho R</p>  <p>x2</p>	<p>W</p>  <p>x1</p>

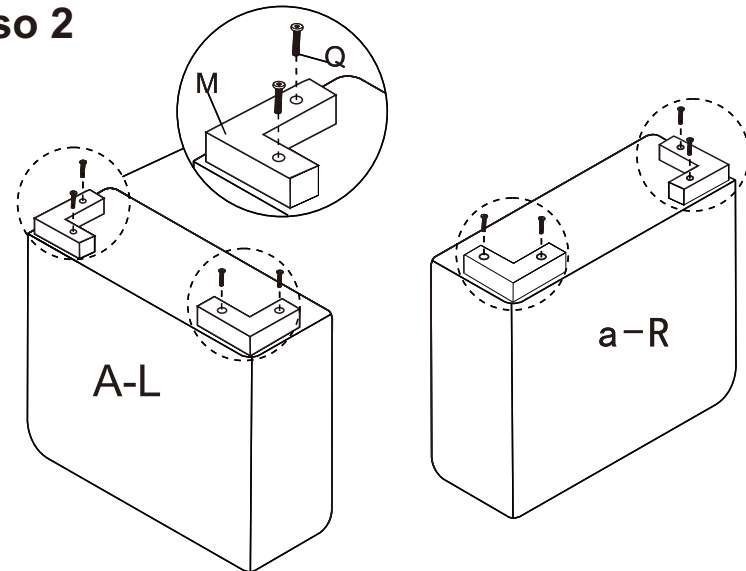
Paso 1



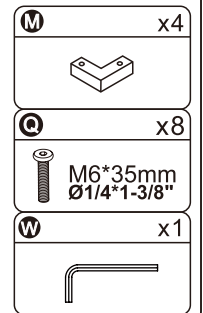
Instale parcialmente los tornillos (S) en los reposabrazos (A-L, a-R), apretándolos al 50%.



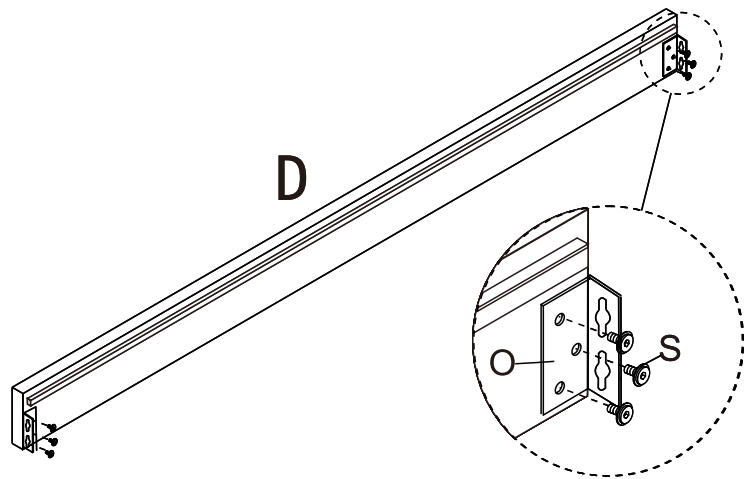
Paso 2



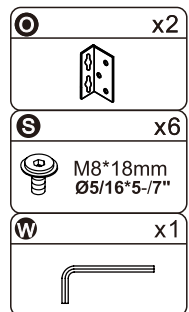
Fije las patas de plástico (M) a los reposabrazos (A-L, a-R) y asegúrelas con los tornillos (Q).



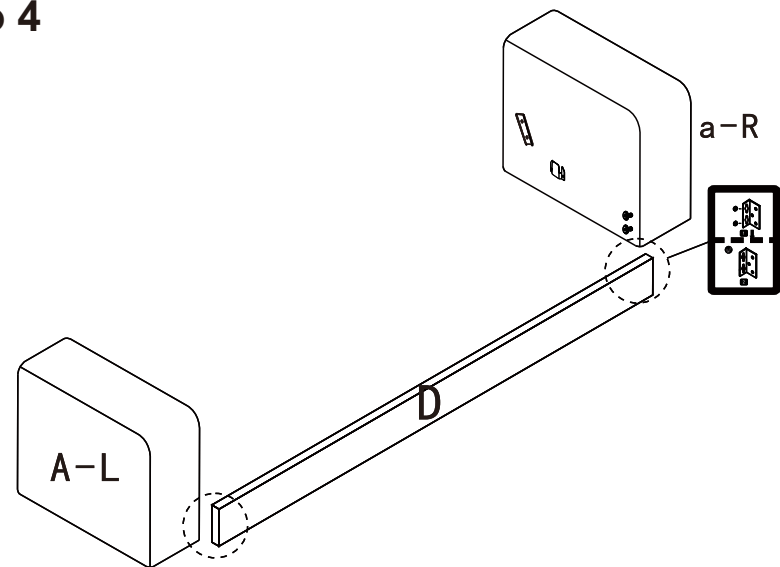
Paso 3



Instale los ganchos (O) en el panel del marco frontal (D) y asegúrelos con los tornillos (S).

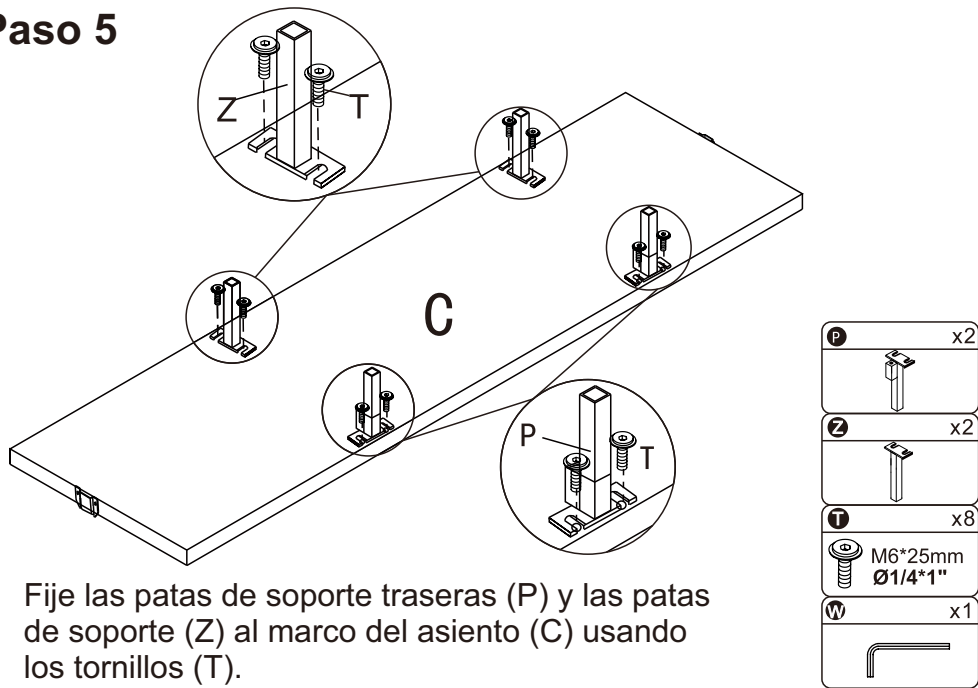


Paso 4

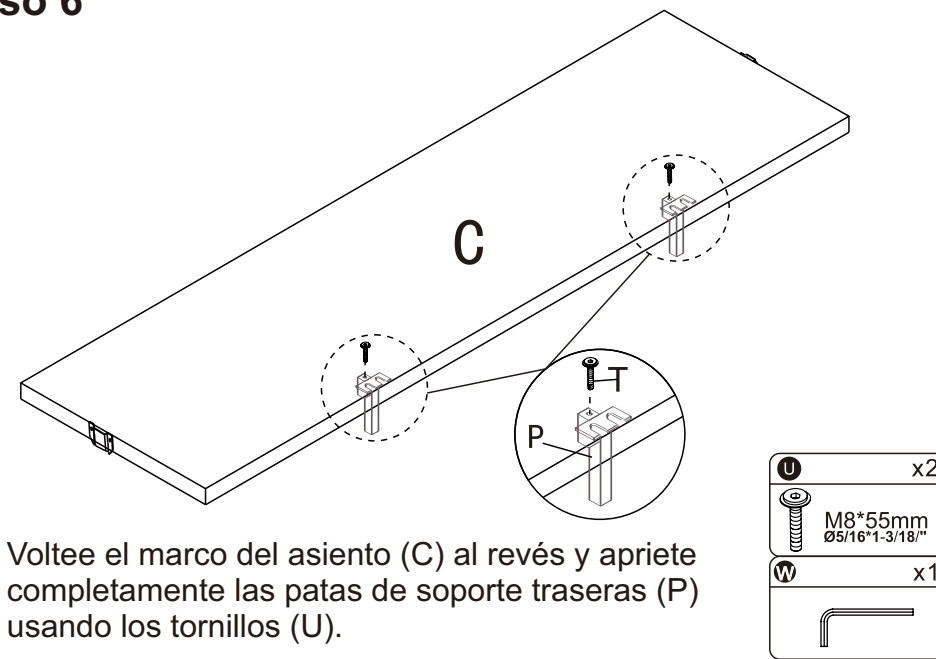


Conecte el panel del marco frontal (D) preinstalado a los reposabrazos (A-L, a-R).

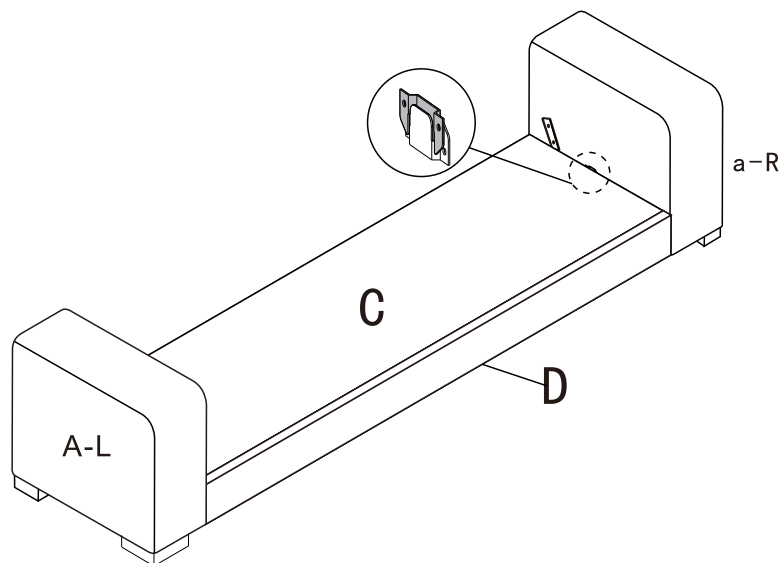
Paso 5



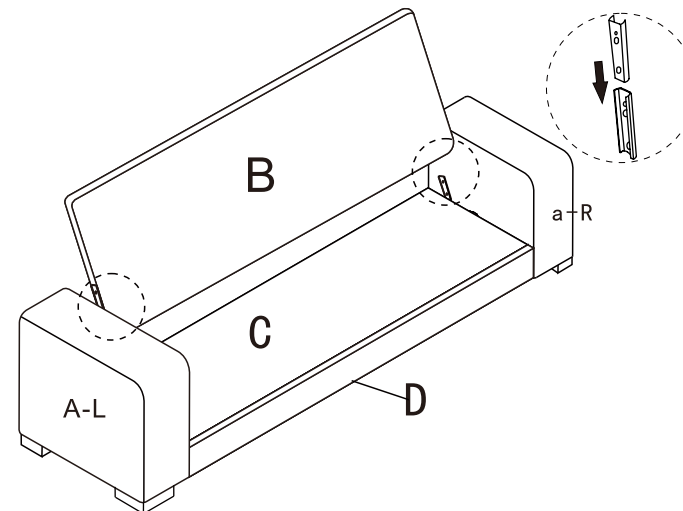
Paso 6



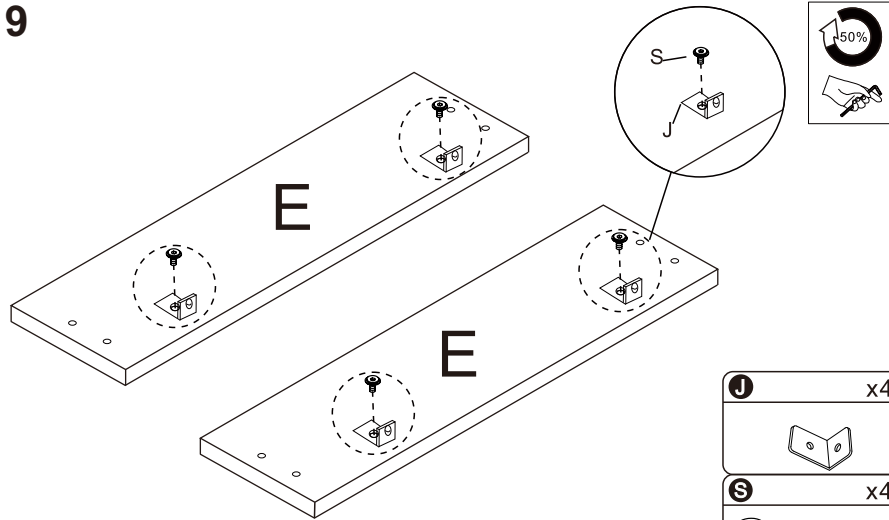
Paso 7



Paso 8



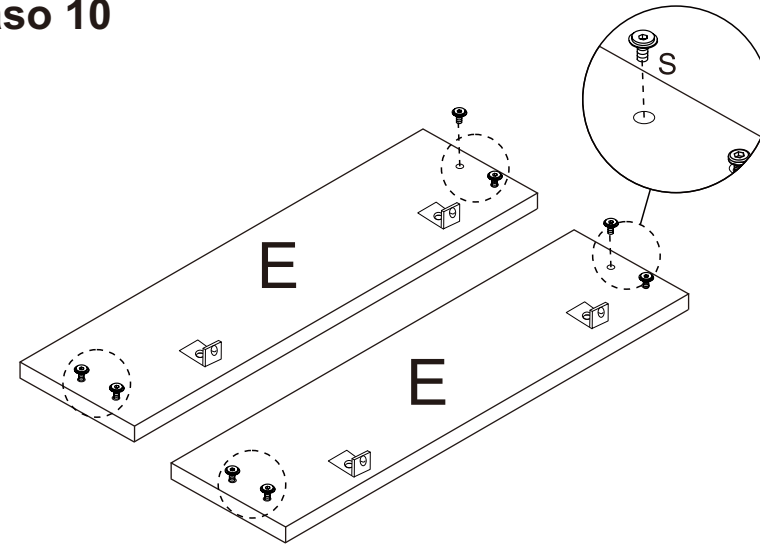
Paso 9



Instala el soporte metálico en forma de L (J) en el panel lateral (E), asegurándote de que el lado más largo esté montado sobre el panel. Aprieta los tornillos al 50% para permitir un montaje posterior.

J	x4
S	x4
	M8*18mm Ø5/16*5-7"
W	x1

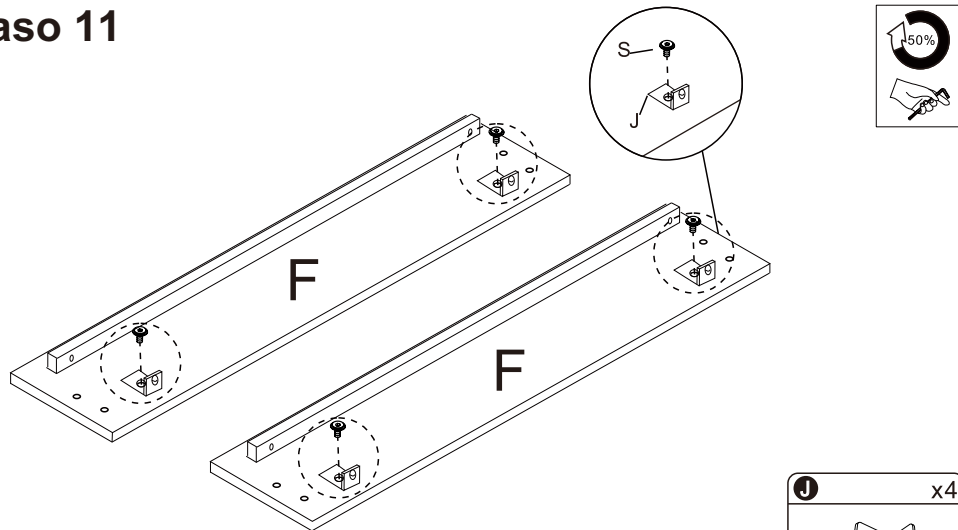
Paso 10



Instale parcialmente los tornillos (S) en los paneles laterales (E), apretándolos al 50%.

S	x8
	M8*18mm Ø5/16*5-7"
W	x1

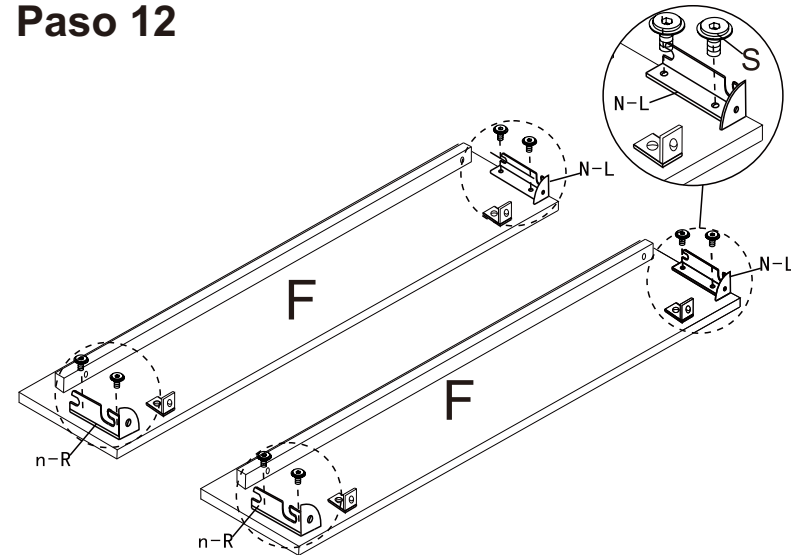
Paso 11



Instala el soporte metálico en forma de L (J) en el panel lateral (F), asegurándote de que el lado más largo esté montado sobre el panel. Aprieta los tornillos al 50% para permitir un montaje posterior.

J	x4
S	x4
	M8*18mm Ø5/16*5-7"

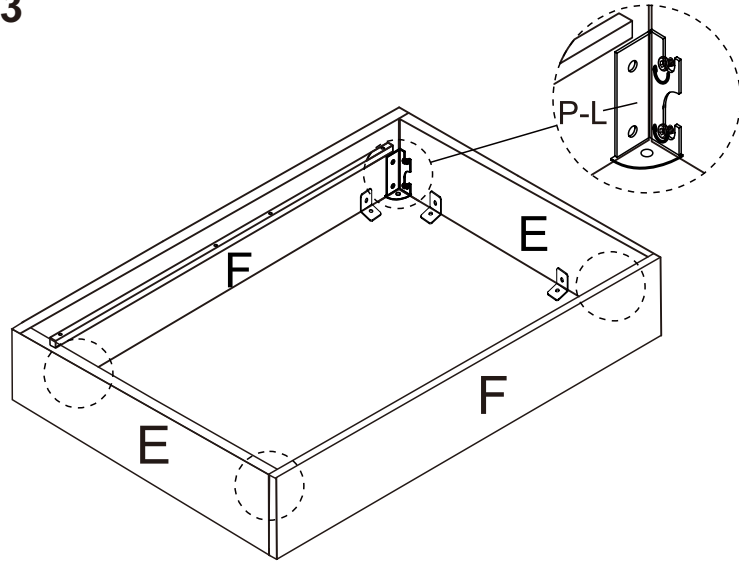
Paso 12



Instale los ganchos de ángulo recto (N-L, n-R) en los paneles frontales y traseros (F) y apriételos usando los tornillos (S).

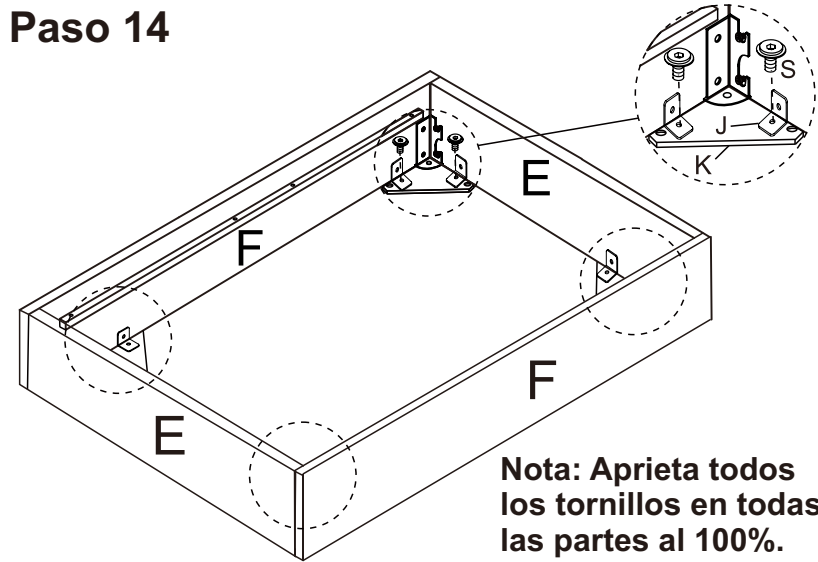
n	x2
	R
N	x2
	L
S	x8
	M8*18mm Ø5/16*5-7"
W	x1

Paso 13



Fije los paneles laterales (E) preinstalados a los paneles frontales y traseros (F) y apriete completamente los tornillos.

Paso 14

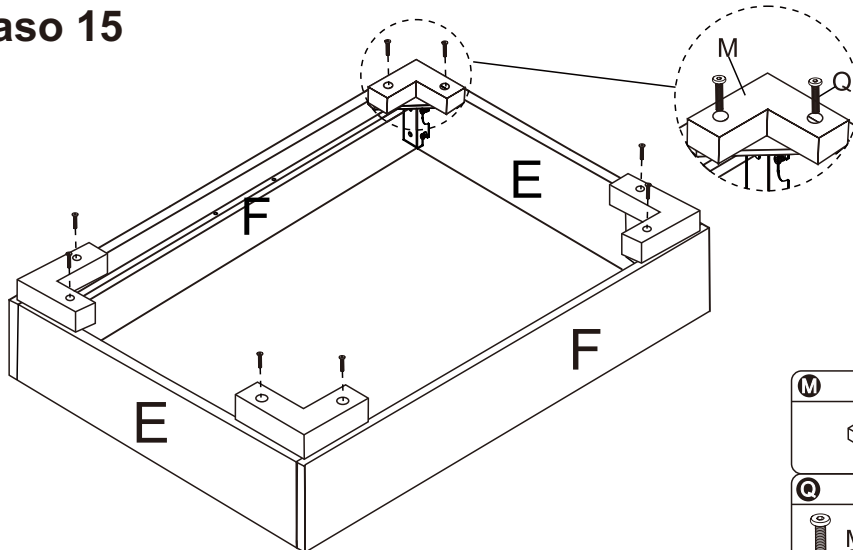


Instale el reposapiés deslizante (K) en los soportes de esquina en forma de "L" (J) y asegúrelo con los tornillos (S).

K	x4
S	x8
	M8*18mm Ø5/16*5-7"
W	x1

Nota: Aprieta todos los tornillos en todas las partes al 100%.

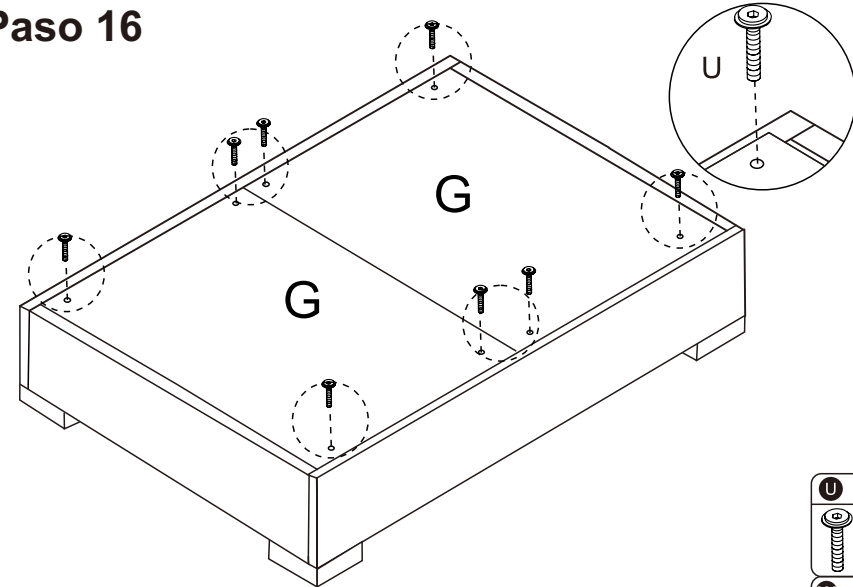
Paso 15



Fije las patas de plástico (M) al marco del reposapiés, alinéelas con los agujeros y asegúrelas con los tornillos (Q).

M	x4
Q	x8
	M6*35mm Ø1/4*1-3/8"
W	x1

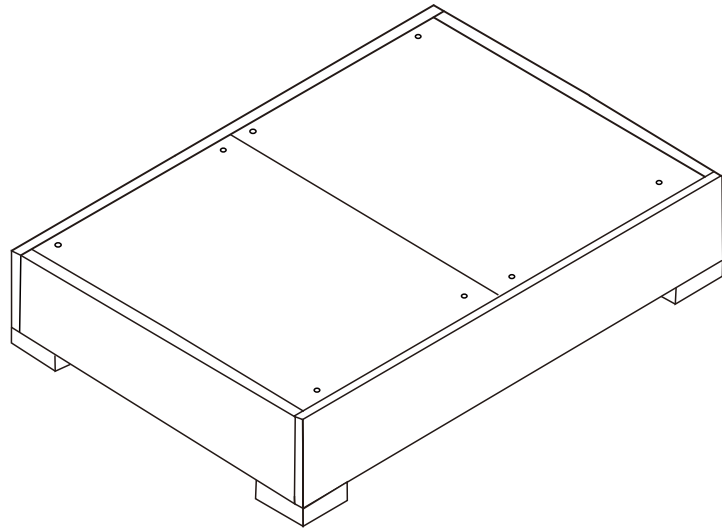
Paso 16



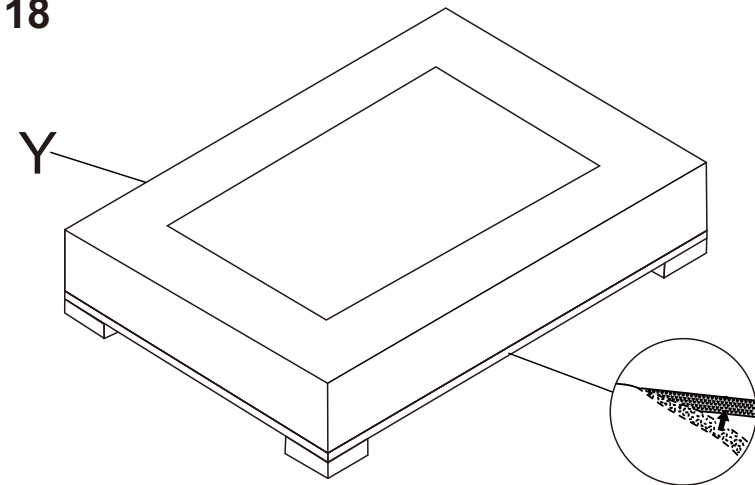
Instale el tablero de pedal (G) en el marco (E,F) usando los tornillos (U).

U	x8
	M8*55mm Ø5/16*1-3/8"
W	x1

Paso 17



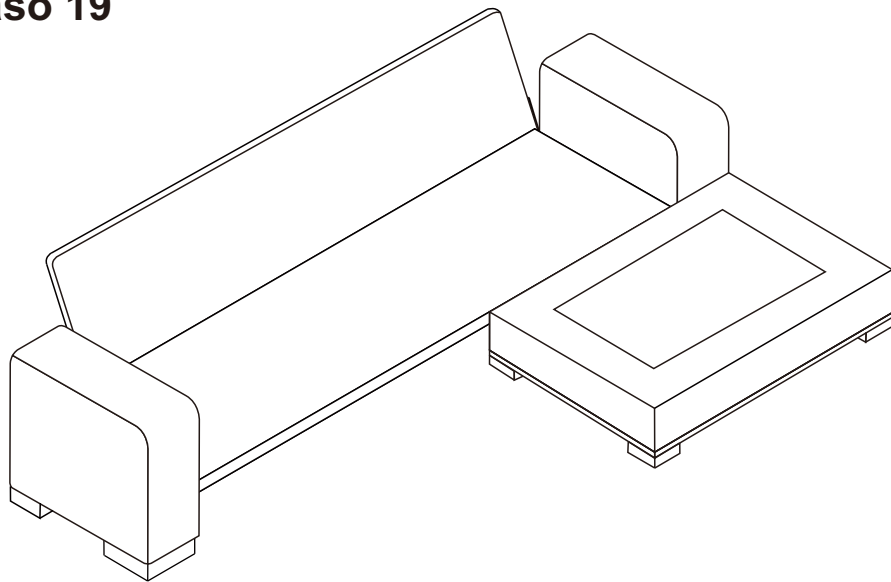
Paso 18



Instale la funda de tela para el reposapiés (Y) sobre el marco del reposapiés y alise los sujetadores de Velcro.

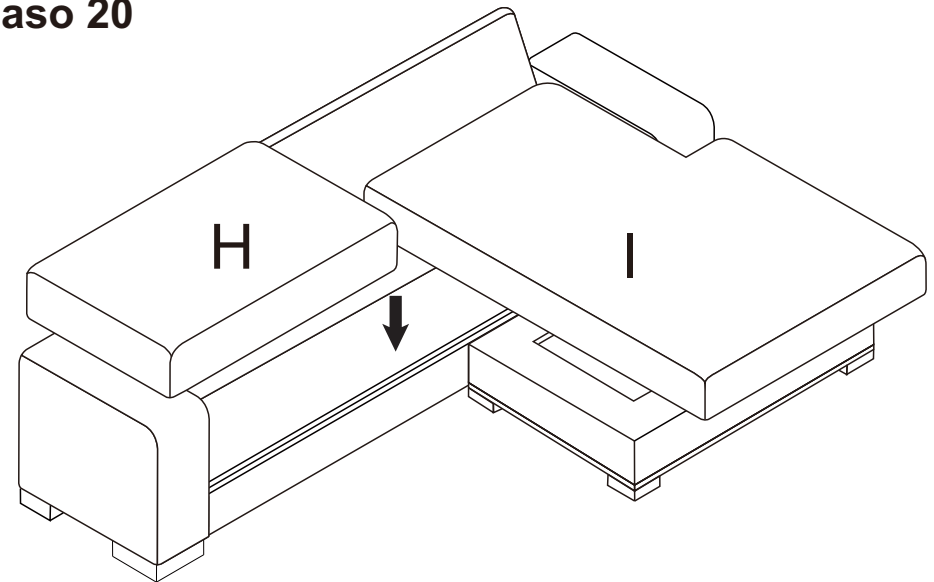
Nota: Asegúrese de quitar la película protectora del Velcro antes de sujetarlo.

Paso 19



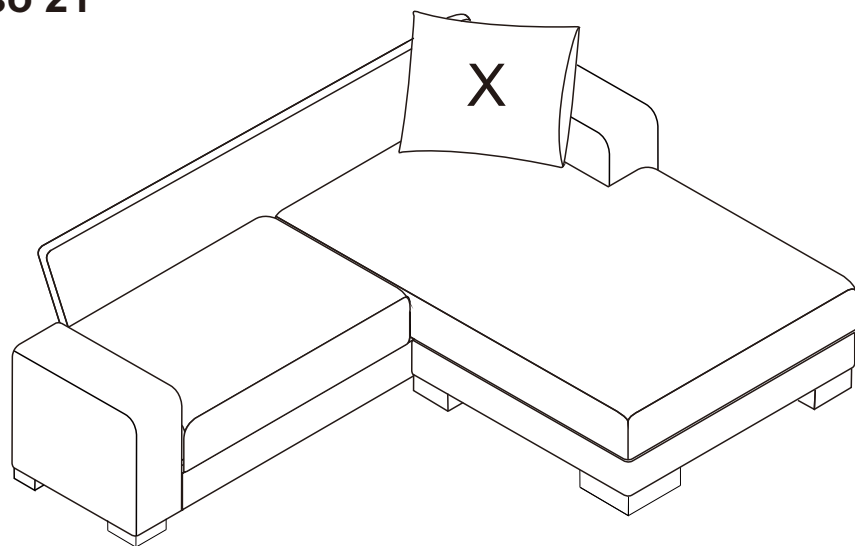
Fije el reposapiés a la estructura principal del sofá.

Paso 20



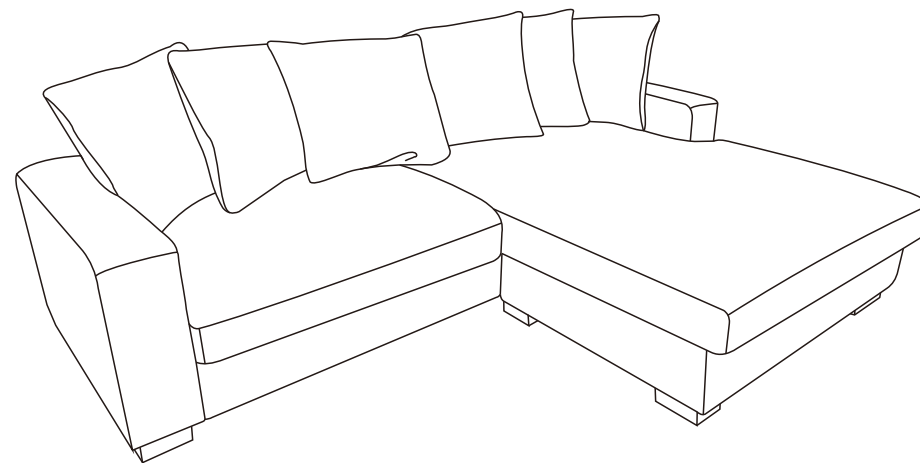
Coloque los cojines del asiento (H,I) en el sofá.

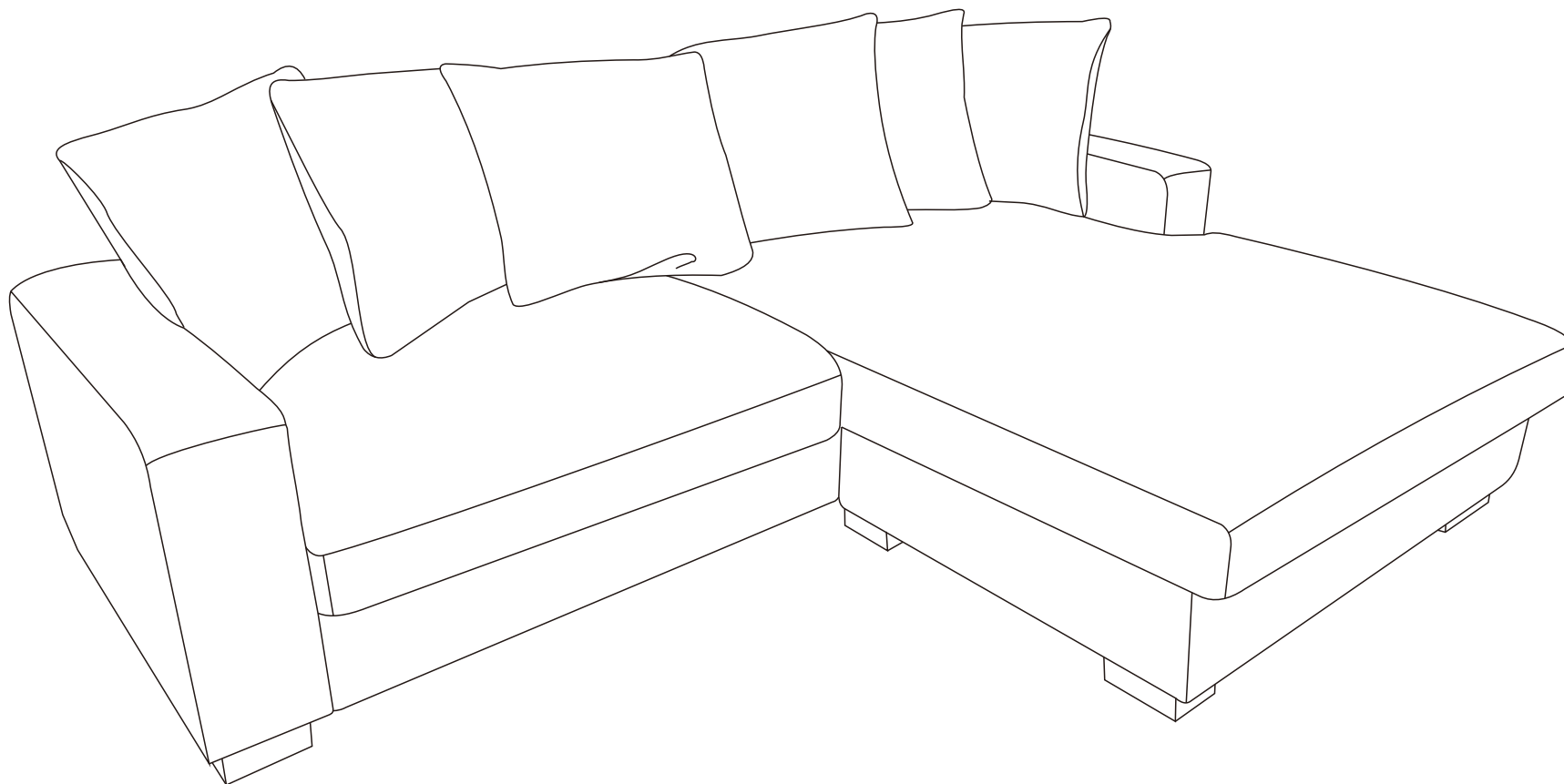
Paso 21



Coloque el cojín de respaldo (X) en su lugar entre el respaldo del sofá y los reposabrazos.

Paso 22





Mantenimiento

1. Mantenga un espacio de 0.5-1 cm entre la parte del sofá que está contra la pared y la pared.
2. Evite la exposición directa al sol, preferiblemente colóquelo en un lugar que pueda evitar la luz solar directa o use cortinas de tul translúcidas para bloquear el sol.
3. Aspire al menos una vez a la semana, prestando especial atención a eliminar la acumulación de polvo entre las estructuras de la tela.
4. Voltee los cojines del sofá una vez a la semana para distribuir el desgaste de manera uniforme.
5. Si se mancha, use un paño limpio humedecido en agua para limpiar. Para evitar dejar marcas, es mejor limpiar desde el perímetro de la mancha. Los muebles de terciopelo no deben mojarse, y deben utilizar un agente de limpieza en seco.
6. Todas las fundas de tela y almohadillas deben ser limpiadas en seco, no deben lavarse ni blanquearse.
7. Si encuentra un hilo suelto, no lo arranque con la mano; es mejor cortar el hilo de manera ordenada con tijeras.