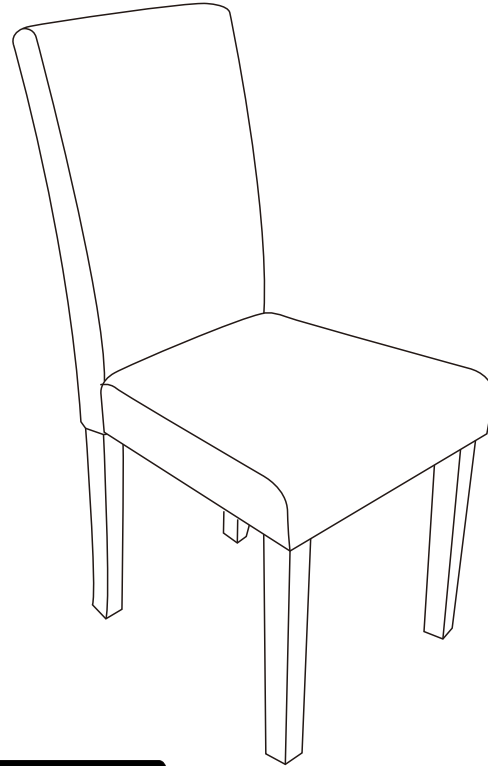


DINING CHAIR

Assembly Instruction

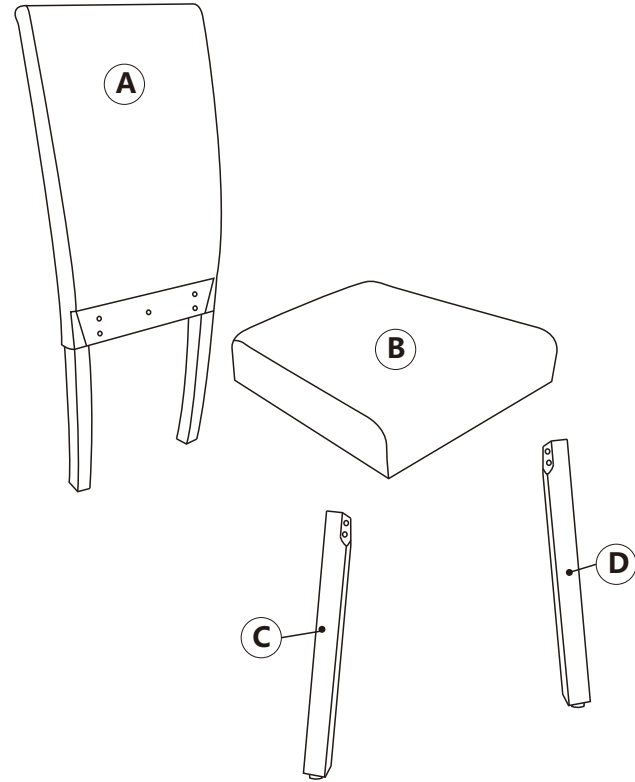


Any question please feel free to contact us:
TEL: 901-347-2181
We will provide further assistance within 24 hours.


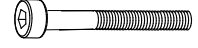


Dear Customers,

Thank you for purchasing our product. Please read this instruction manual carefully after receiving this product. It will help you assemble this product quickly, safely and correctly. You can keep this manual for future reference.

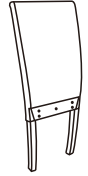
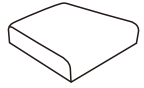


CHAIR



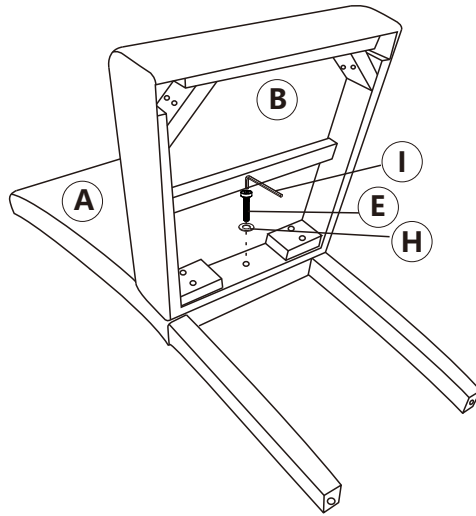
Hardware parts

E	Bolts M8x55 mm	F	Bolts M8x70 mm	H	Washers M8	I	Wrench M6
							
	x1		x8		x9		x1

Main structure accessories

A	Backrest	B	Seat	C	Right leg	D	Left leg
							
	x1		x1		x1		x1

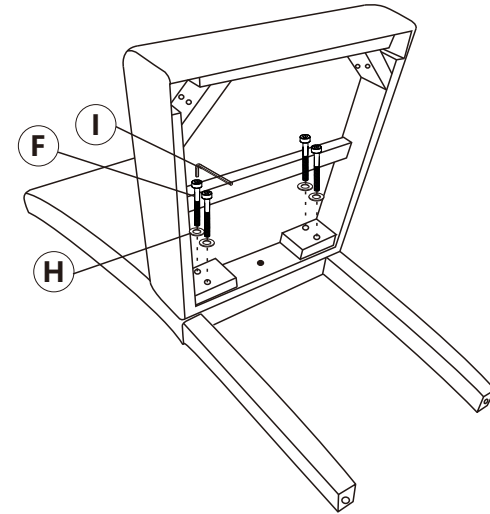
STEP1



E		x1
H		x1
I		x1

Note:
Screwing all **E** on the chair (tighten 80% of screws first),
It might help you assemble more easily.

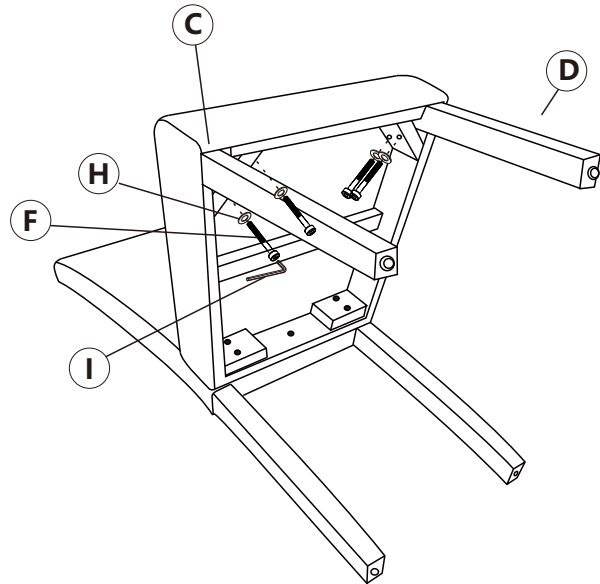
STEP2



F		x4
H		x4
I		x1

Note:
Screwing **F** on the chair (tighten 80% of screws first),
It might help you assemble more easily.

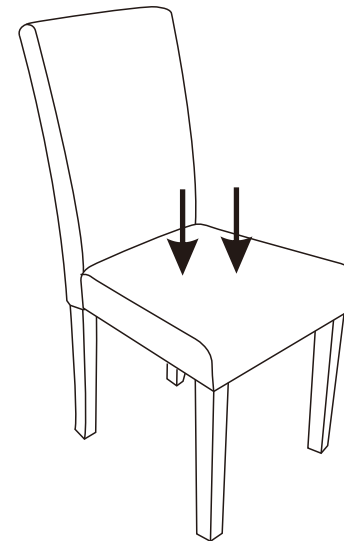
STEP3



F		x4
H		x4
I		x1

Note:
Screwing **F** on the chair (tighten 80% of screws first),
It might help you assemble more easily.

STEP4



Note:
Ensure the chair is stable on the ground and doesn't require any
adjustments, then tighten all screws to 100%.

STEP5

