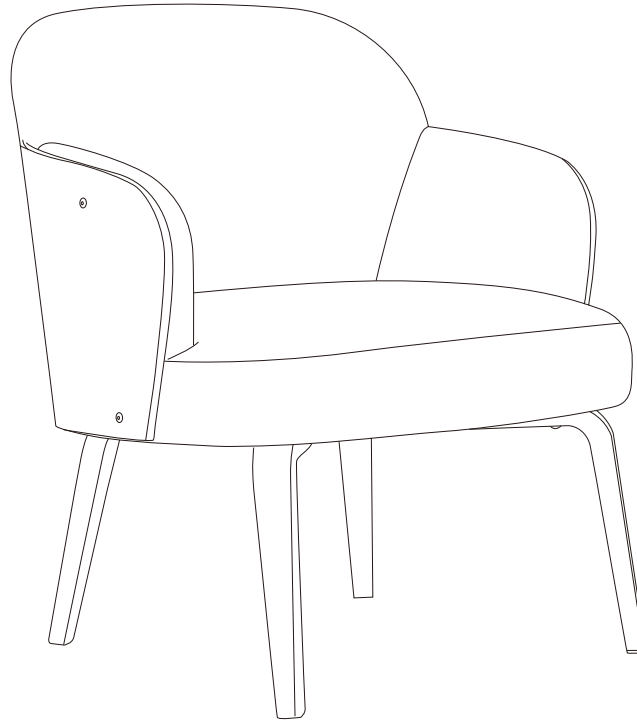


BENTWOOD LEISURE CHAIR

Assembly Instruction

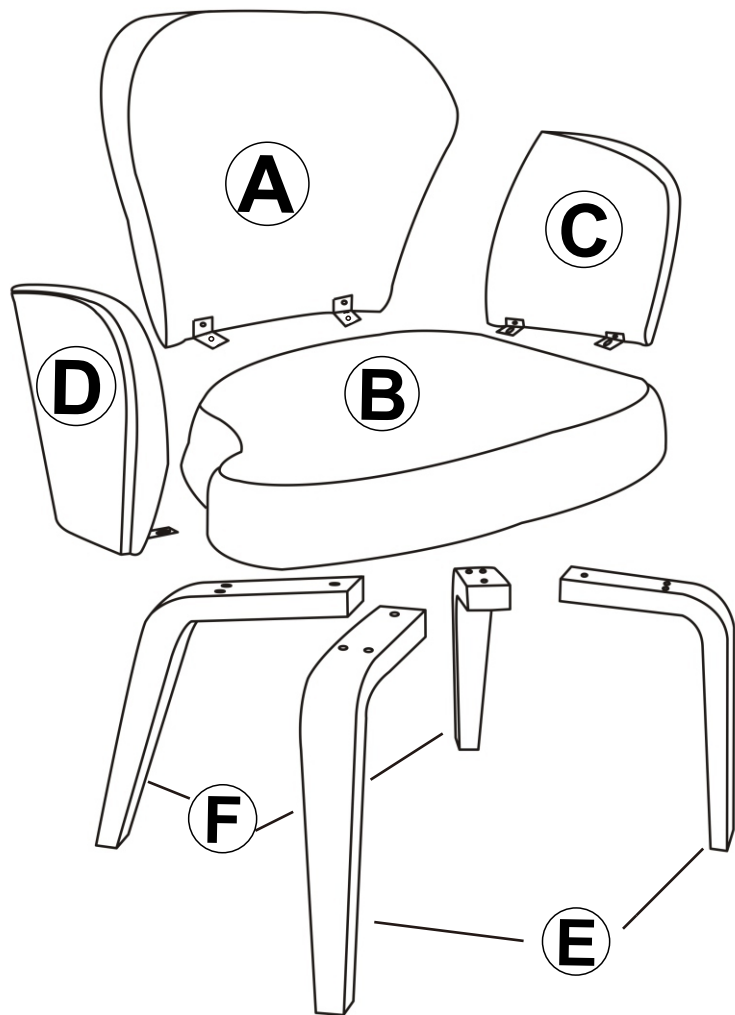


Any question please feel free to contact us:
support@jocisland.com TEL: 901-347-2181
We will provide further assistance within 24 hours.

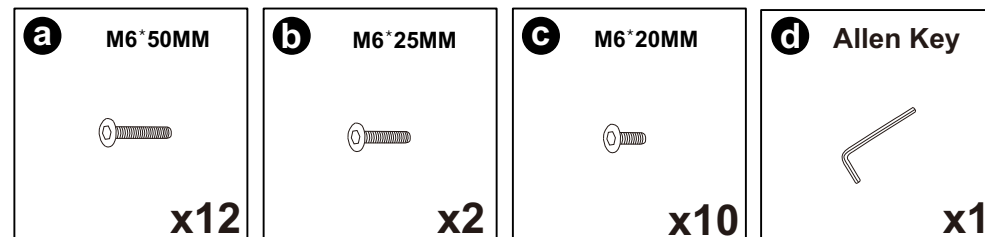
Dear Customers,

Thank you for purchasing our product. Please read this instruction manual carefully after receiving this product. It will help you assemble this product quickly, safely and correctly. You can keep this manual for future reference.

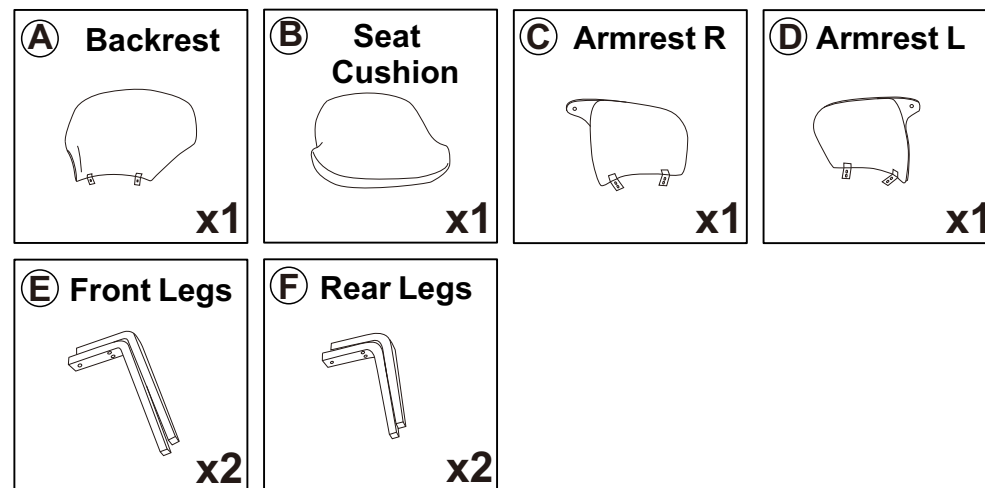
CHAIR



Hardware parts



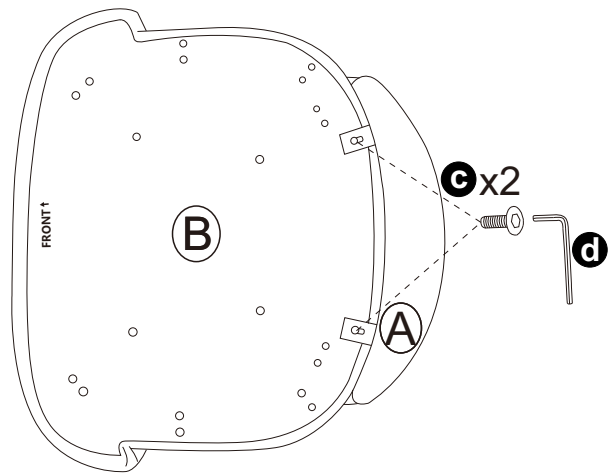
Main structure accessories



Kind Reminder:

Due to the size of our product, it would be easier to assemble it with your partner together.

STEP 1

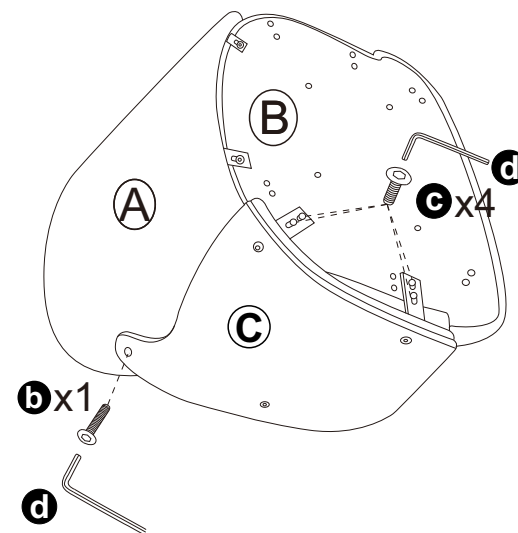


Note:

Screwing all the **C** on the chair (tighten 50% of screws first), and then tighten 100% of all screws. It might help you assemble more easily .



STEP 2

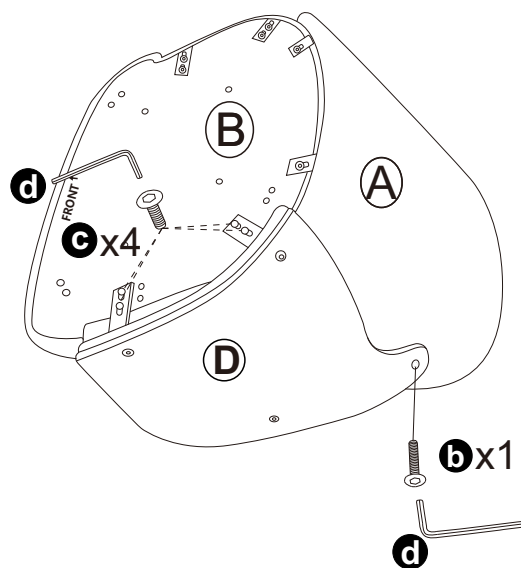


Note:

Screwing all the **C** and **b** on the chair (tighten 50% of screws first), and then tighten 100% of all screws. It might help you assemble more easily .



STEP 3

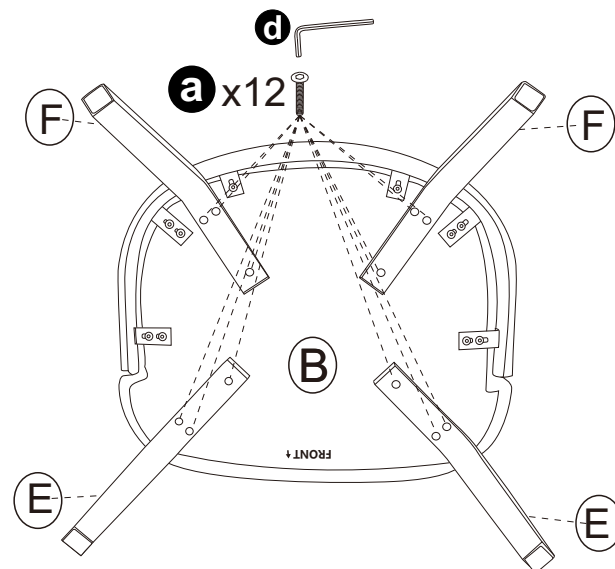


Note:

When you screw all the **C** and **b** you could tighten 100% of all screws.



STEP 4



Note:

Make sure the "FRONT" direction of Front Legs (E) and Seat Cushion (B) are the same.



STEP 5

