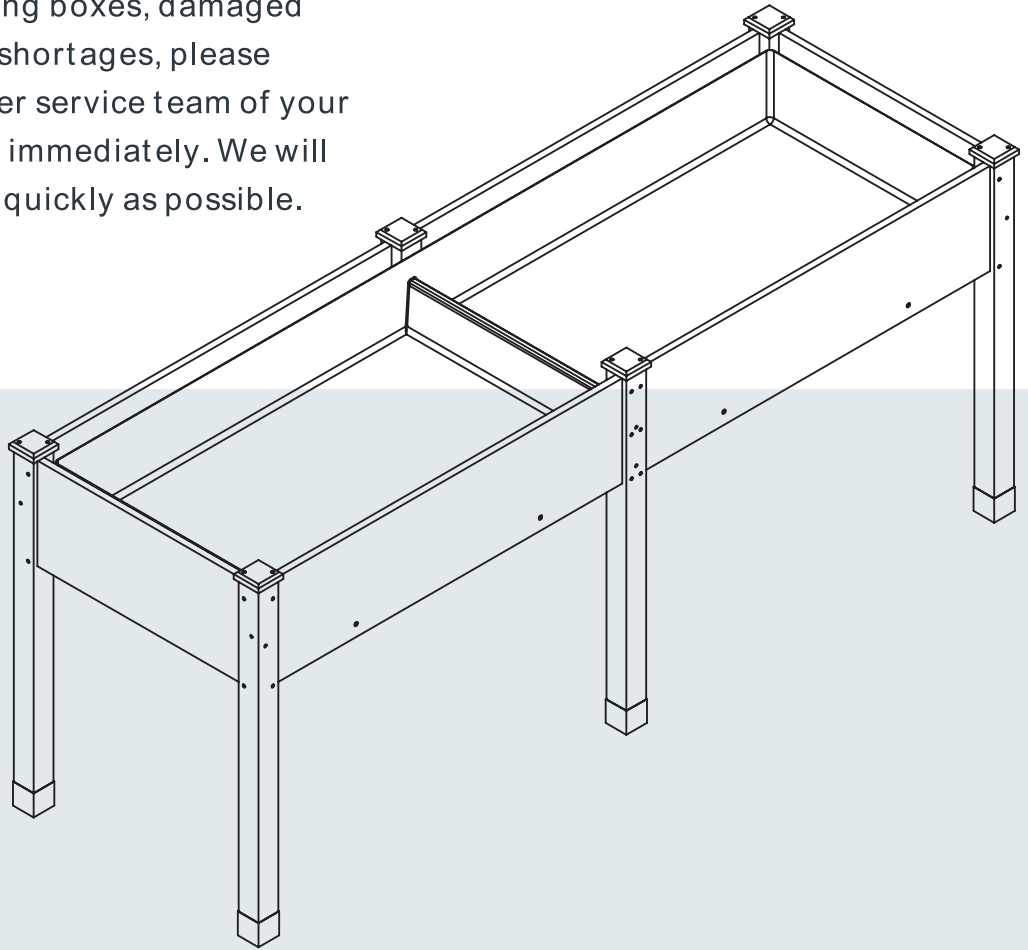


# WOODEN RAISED GARDEN BED

Assembly Instruction - Please keep  
properly for future reference.

If you find any missing boxes, damaged parts, or accessory shortages, please contact the customer service team of your purchasing channel immediately. We will resolve the issue as quickly as possible.



**6x2 FT**

## CONTACT US

- **Email: [service@grandtunnel.com](mailto:service@grandtunnel.com)**  
In order to receive assistance more quickly, please provide

## THE FOLLOWING INFORMATION:

- Order number
- Purchase platform
- Purchase date
- Detailed description of the issue along with photos (if applicable)

**Important** – Please read these instructions carefully before starting the installation.

**EN**

# CUSTOMER SERVICE GUIDE

---

Thank you for choosing our product! We are committed to providing you with excellent service. If you find any missing parts, damaged packaging, or product damage after receiving all packages, please follow the steps below to quickly contact our customer service team. We will do our best to resolve your issue.

## 1. Missing Parts

Verify Parts:

1. Refer to the “Parts List” in the manual to verify the name, specifications, and quantity of the missing parts.
2. Take a clear photo of the parts list and mark the missing parts with detailed information, e.g., “Missing 5 pieces of M6×30mm screws.”

**Contact Us:**

- By Email:

Send an email to [service@grandtunnel.com](mailto:service@grandtunnel.com), with the subject line “Missing Parts Issue.”

Include the following in the email:

- A description of the missing parts and a photo of the parts list.
- Order details (order number, purchase platform, purchase date).

## 2. Product or Packaging Damage

If it affects normal use:

Steps:

1. Take clear photos or videos showing the damaged parts and the extent of the damage (multi-angle shots are recommended).
2. Email the photos/videos along with order details to [service@grandtunnel.com](mailto:service@grandtunnel.com), with the subject line “Product Damage Issue.”

Resolution:

After verification, we will arrange for a replacement part, product exchange, or refund as quickly as possible.

If it does not affect normal use:

Steps:

1. Contact our customer service team (by email: [service@grandtunnel.com](mailto:service@grandtunnel.com)).
2. Provide a description of the damage and include relevant photos or videos.

Resolution:

We will provide repair guidance or an appropriate compensation plan based on the specific situation.

Contact Us

- Customer Service Email: [service@grandtunnel.com](mailto:service@grandtunnel.com)

Helpful Tips

To process your issue efficiently, please prepare the following information:

- Order details (order number, purchase platform, purchase date).
- Clear photos or videos.
- We are committed to providing quick and professional solutions, no matter the size of the issue, to ensure your satisfaction.

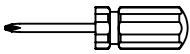
Thank you for your trust and support! We hope you enjoy using our product!

## ! NOTICE

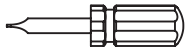
Please retain instructions for future needs.

- Do not stand on or use any parts of this item as a step ladder.
- Fasten screws loosely during assembly. Do not firmly tighten the screws until the item is completely assembled.
- Double-check all the bolts, screws, and knobs have been firmly tightened before use.
- To prevent items fall apart, please regularly check if all bolts, screws, and knobs are secure.
- Do not use or store this item in the proximity of open flame or flammable/combustible
- Be aware that some parts are heavy and have sharp edges when assembling and using.
- If any parts are missing, broken, damaged, or worn in 90 days, stop using or assembling this product, please do not hesitate to contact us, we will send the factory replacement parts for free.
- Do not use this item in a way inconsistent with the manufacturer's instructions as this could void the product warranty.
- This item is made of wood and may expand due to moisture.
- It is recommended that two people work together for the installation.
- A plastic mallet can be used to gently and evenly tap the wooden board into the groove.

## TOOLS REQUIRED



PHILLIPS  
SCREWDRIVER



PHILLIPS  
SCREWDRIVER



1 PERSON  
ASSEMBLY



APPROXIMATELY  
45 MIN.  
ASSEMBLY

## HARDWARE

A



M6x85mm

12 pcs

B



M3.5x40mm

48pcs

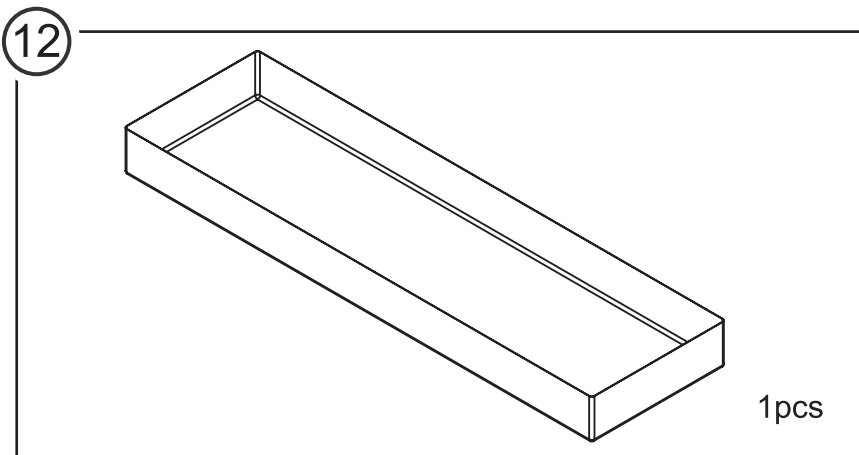
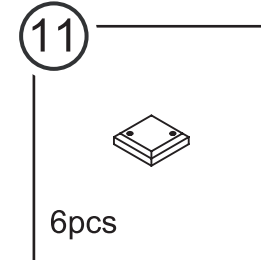
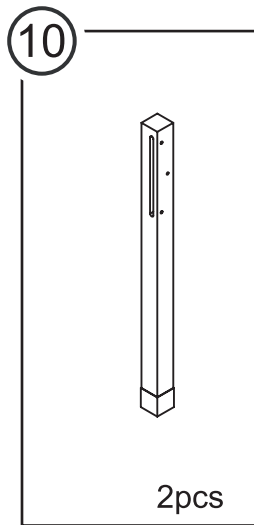
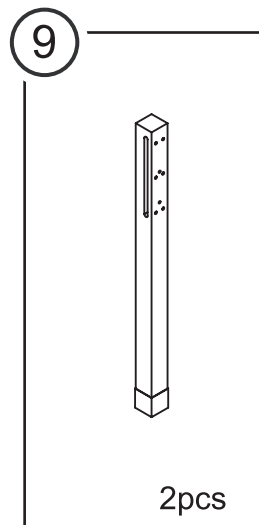
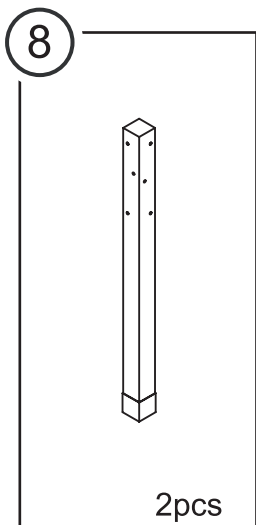
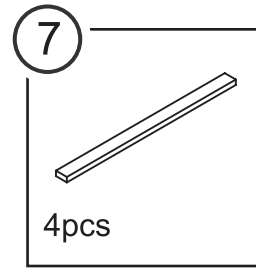
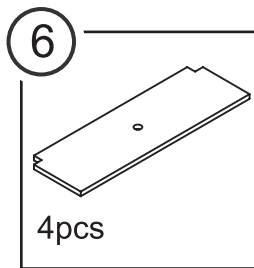
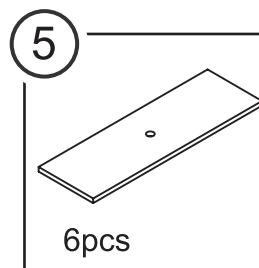
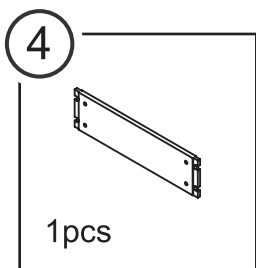
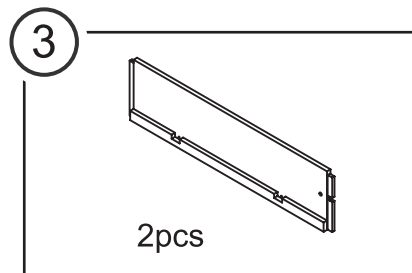
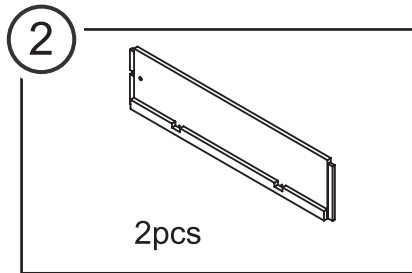
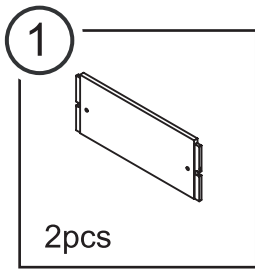
C



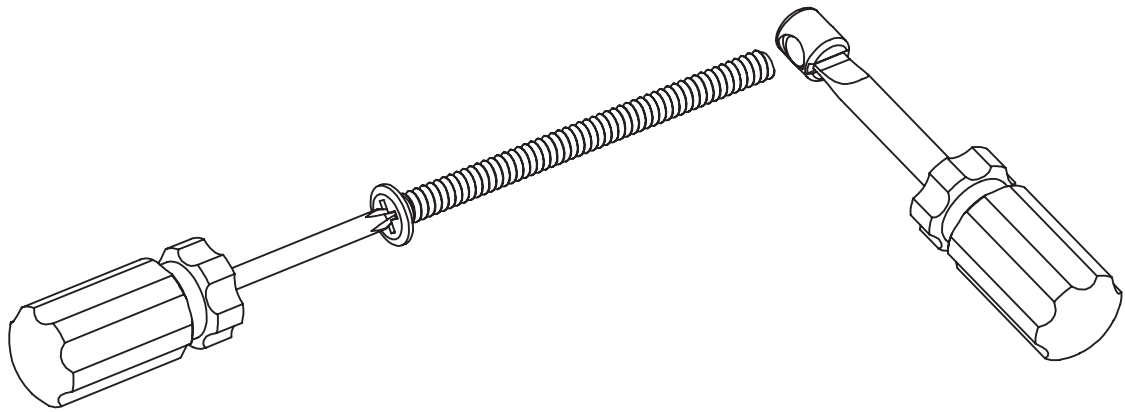
M10x11mm

12 pcs

# PARTS LIST



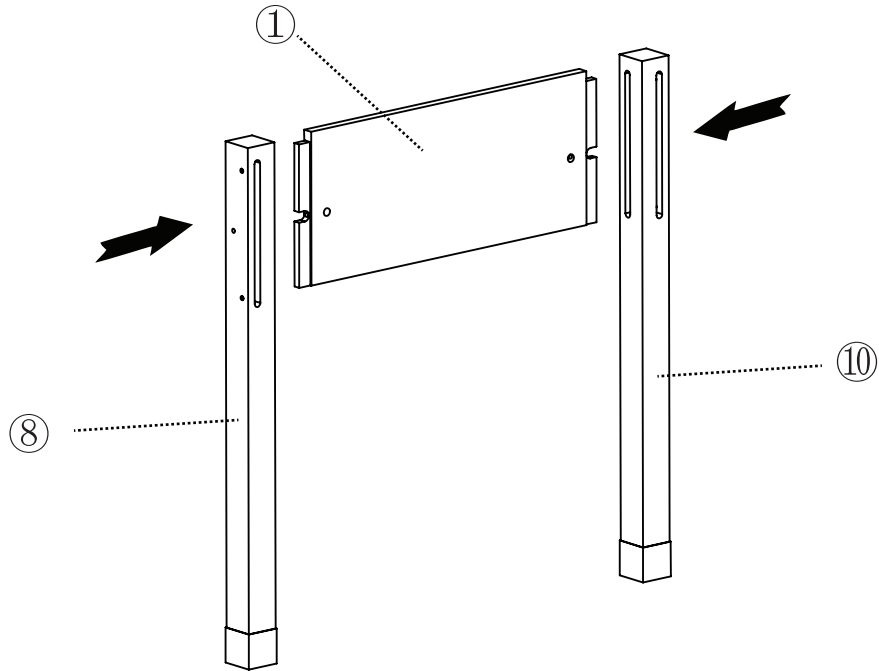
**SPECIAL REMINDER**



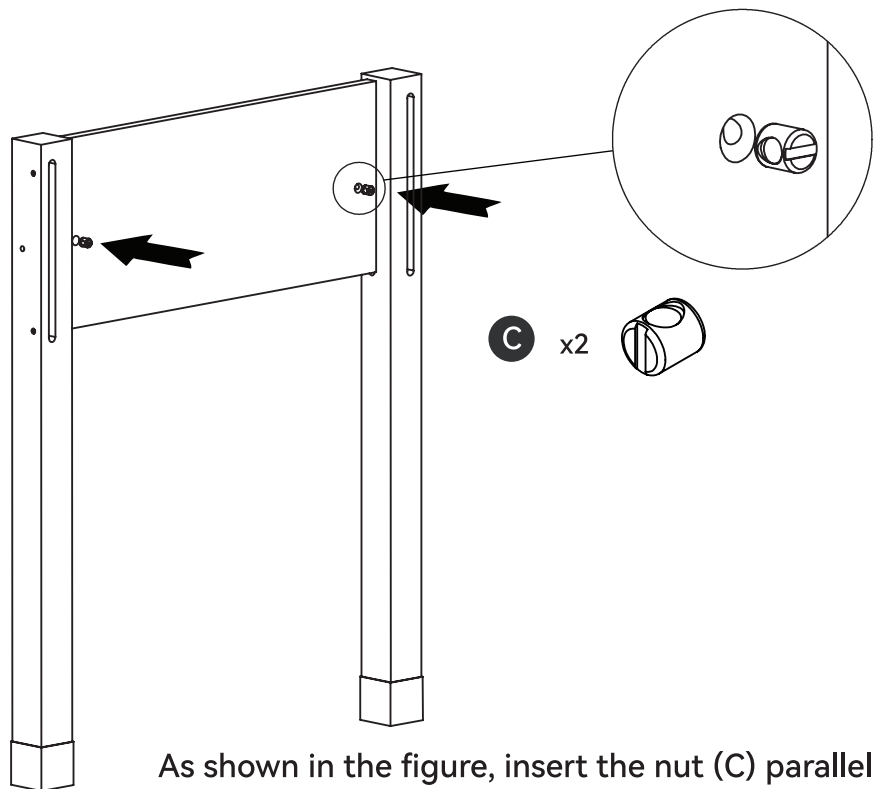
# PRODUCT ASSEMBLY

## 1

As shown in the figure, install component (1) into the slots of components (8) and (10)



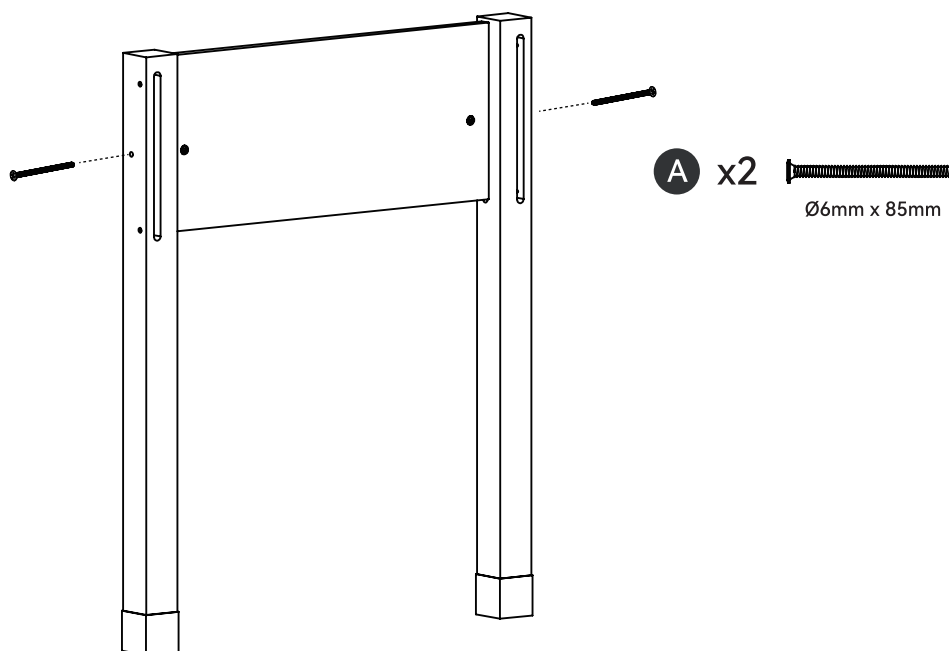
## 2



As shown in the figure, insert the nut (C) parallel into the screw hole of component (1)

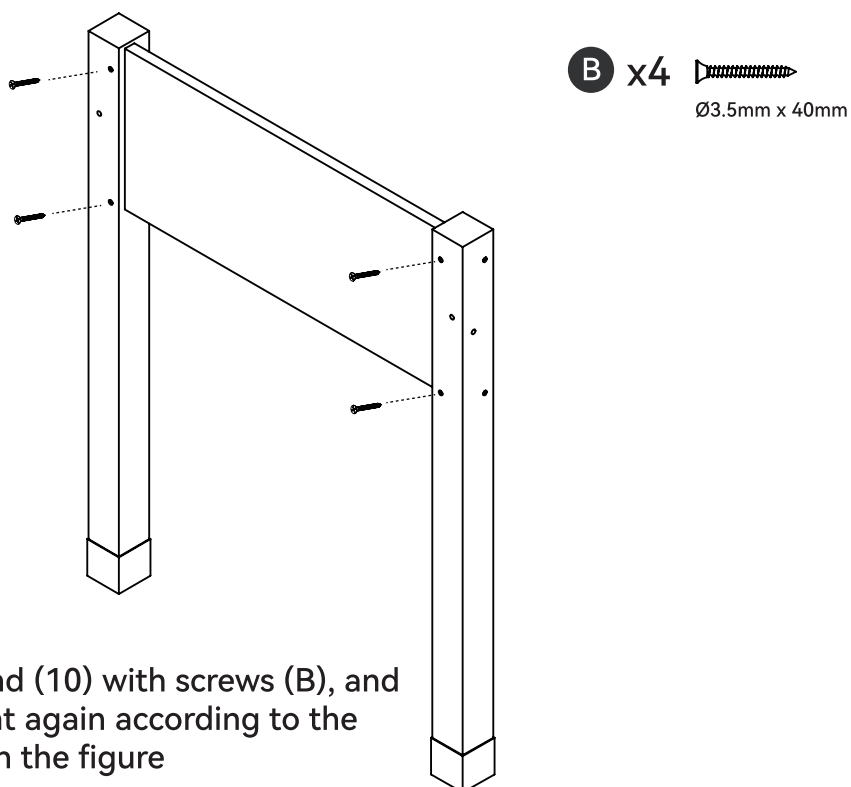
## PRODUCT ASSEMBLY

3



As shown in the figure, fix it with screw (A) and connect it with nut (C) for fixation

4

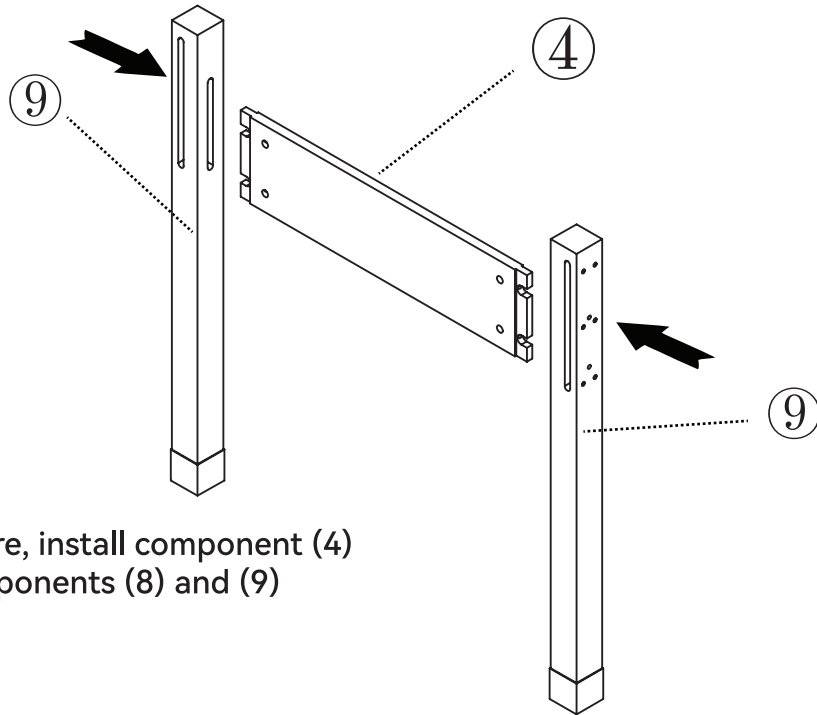


Fix components (1), (8), and (10) with screws (B), and reassemble this component again according to the previous steps, as shown in the figure

Assemble two of these components.

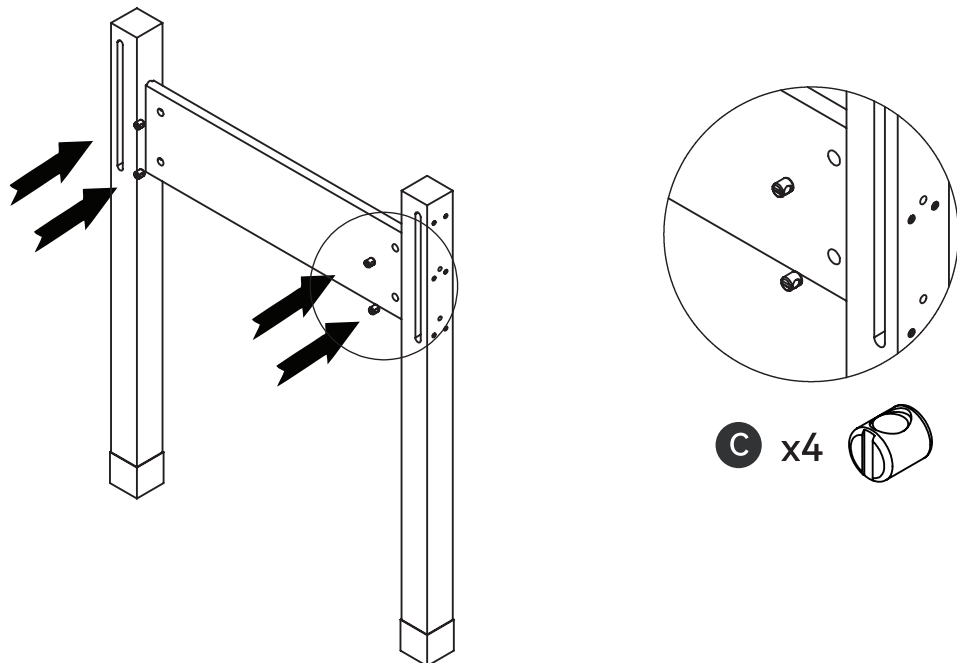
# PRODUCT ASSEMBLY

5



As shown in the figure, install component (4) into the slots of components (8) and (9)


6

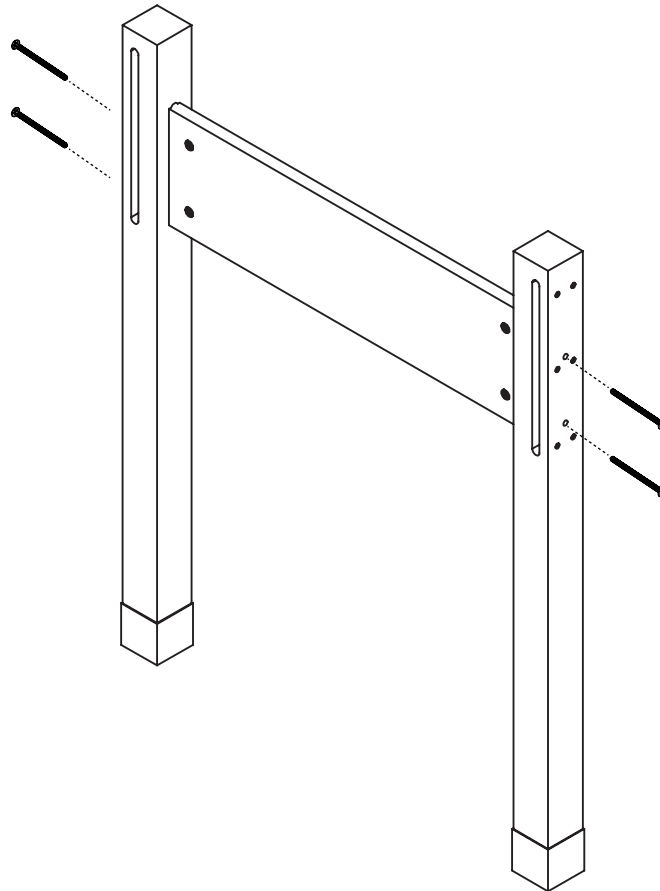


As shown in the figure, insert the nut (C) parallel into the screw hole of component (4)

# PRODUCT ASSEMBLY

7

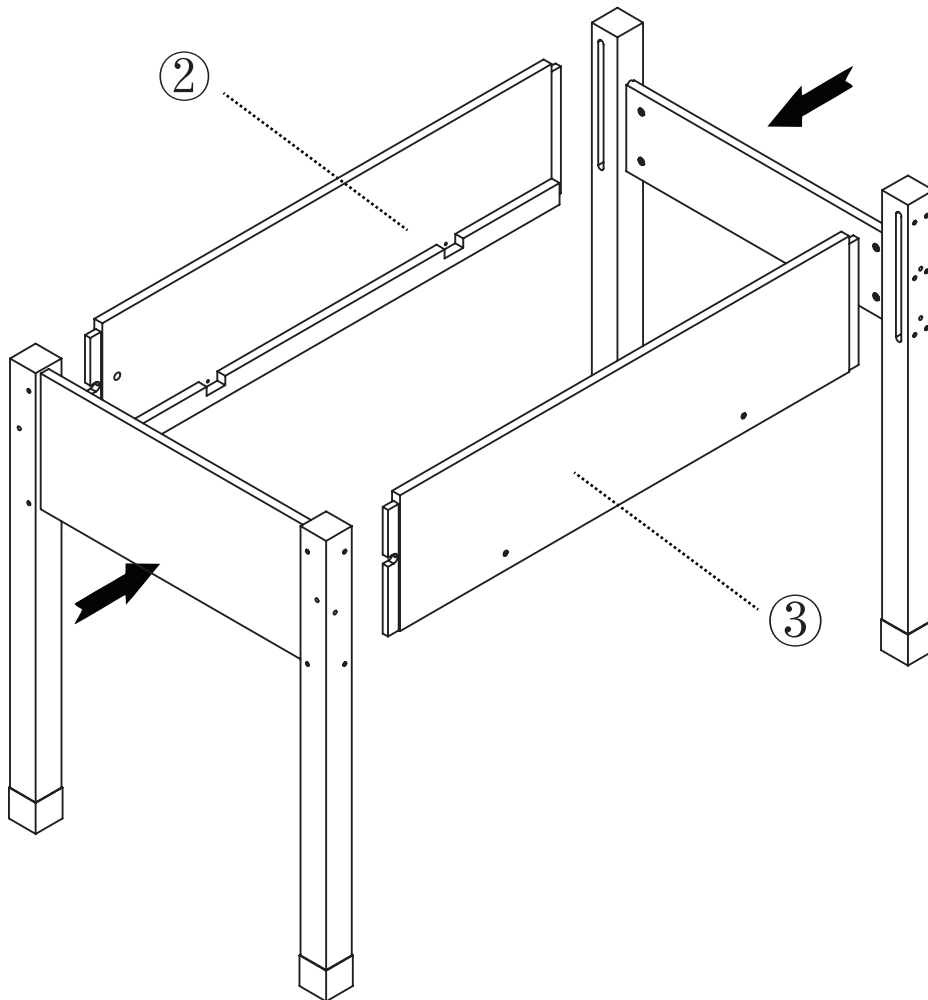
A x4   
Ø6mm x 85mm



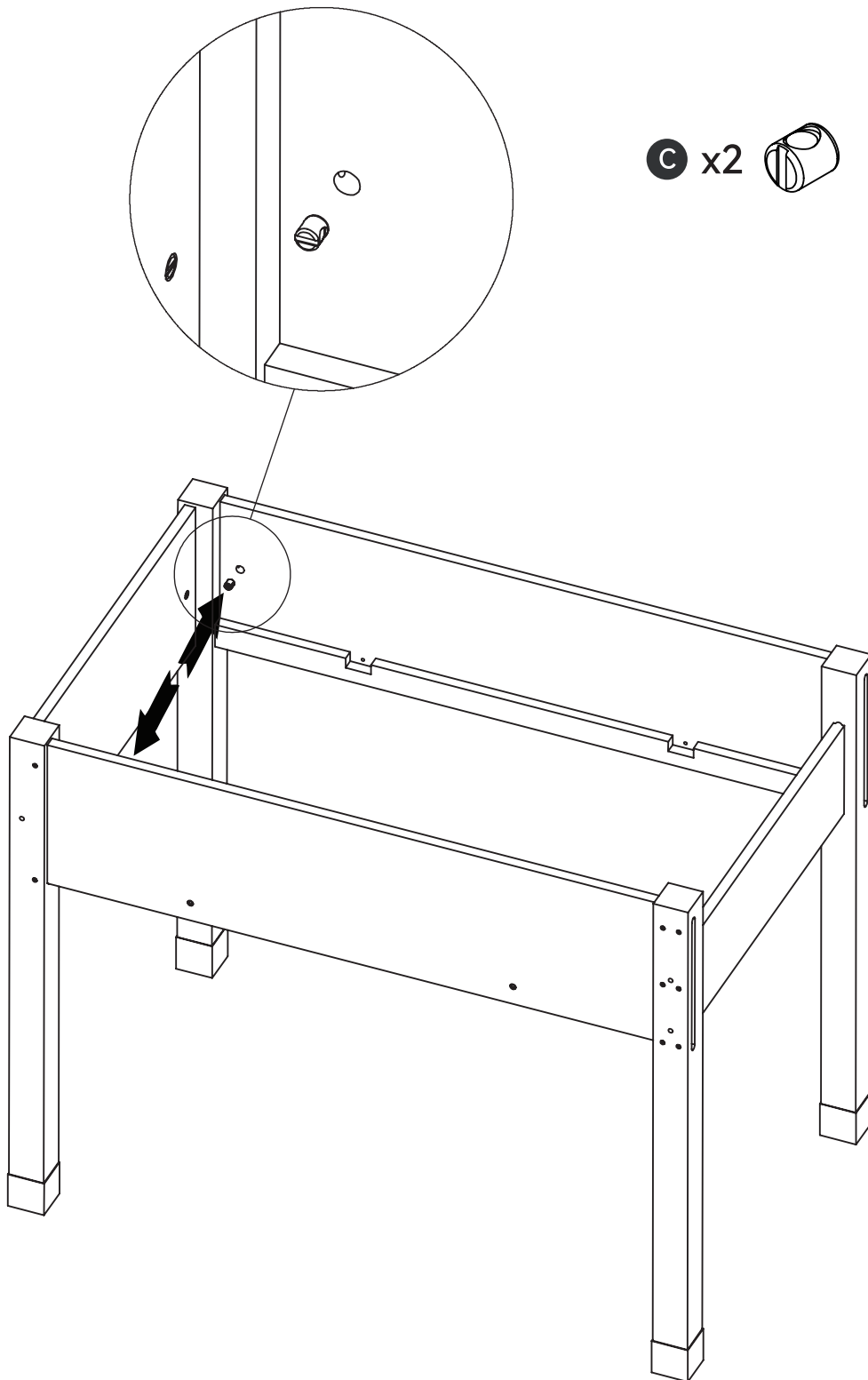
As shown in the figure, fix it with screw (A) and connect it with nut (C) for fixation

**8**

As shown in the figure, place the two components assembled in steps 4 and 7, and install component (2) and component (3) into the card slot



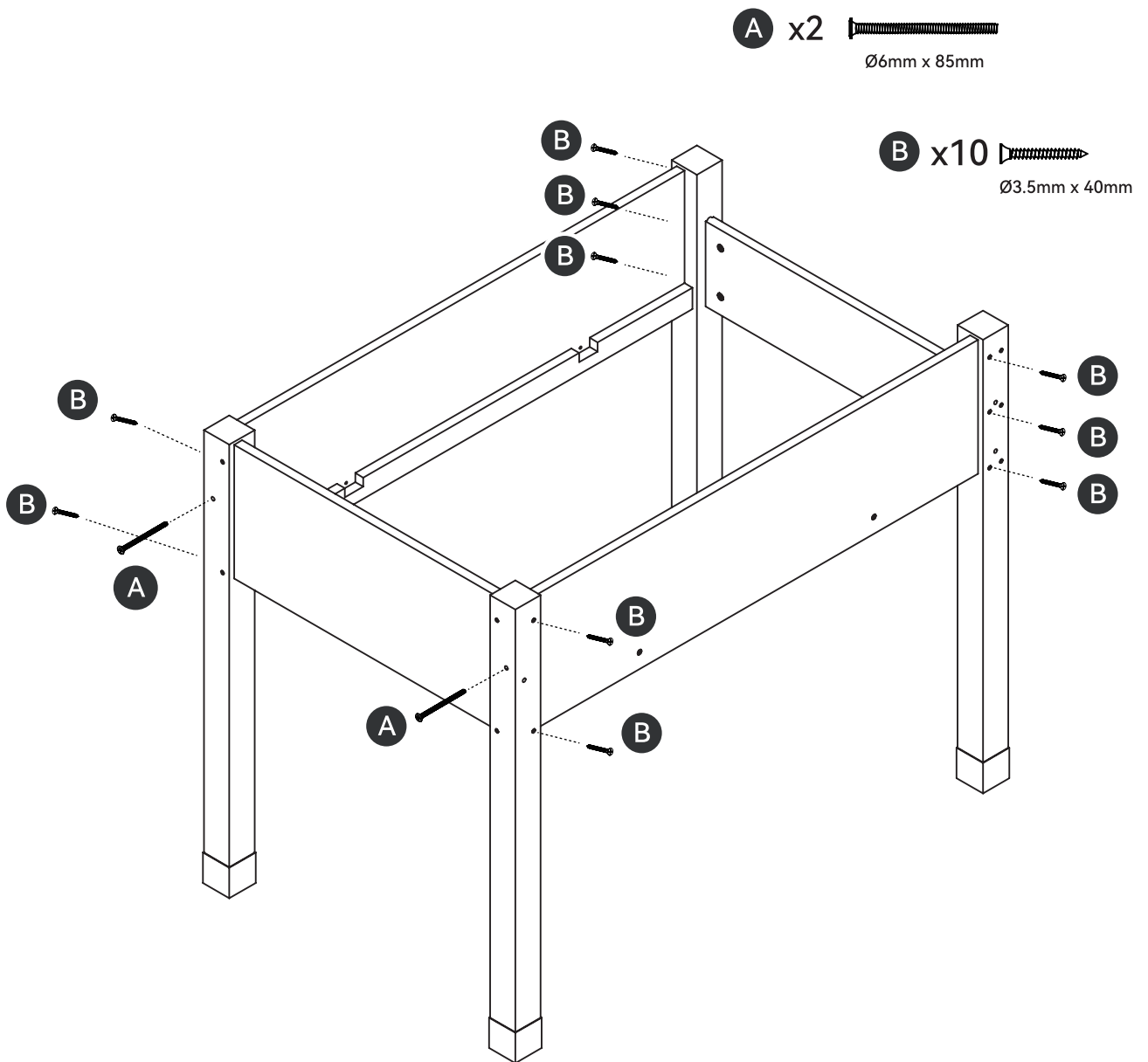
9



As shown in the figure, insert the nut (C) parallel into the screw holes of component (2) and component (3)

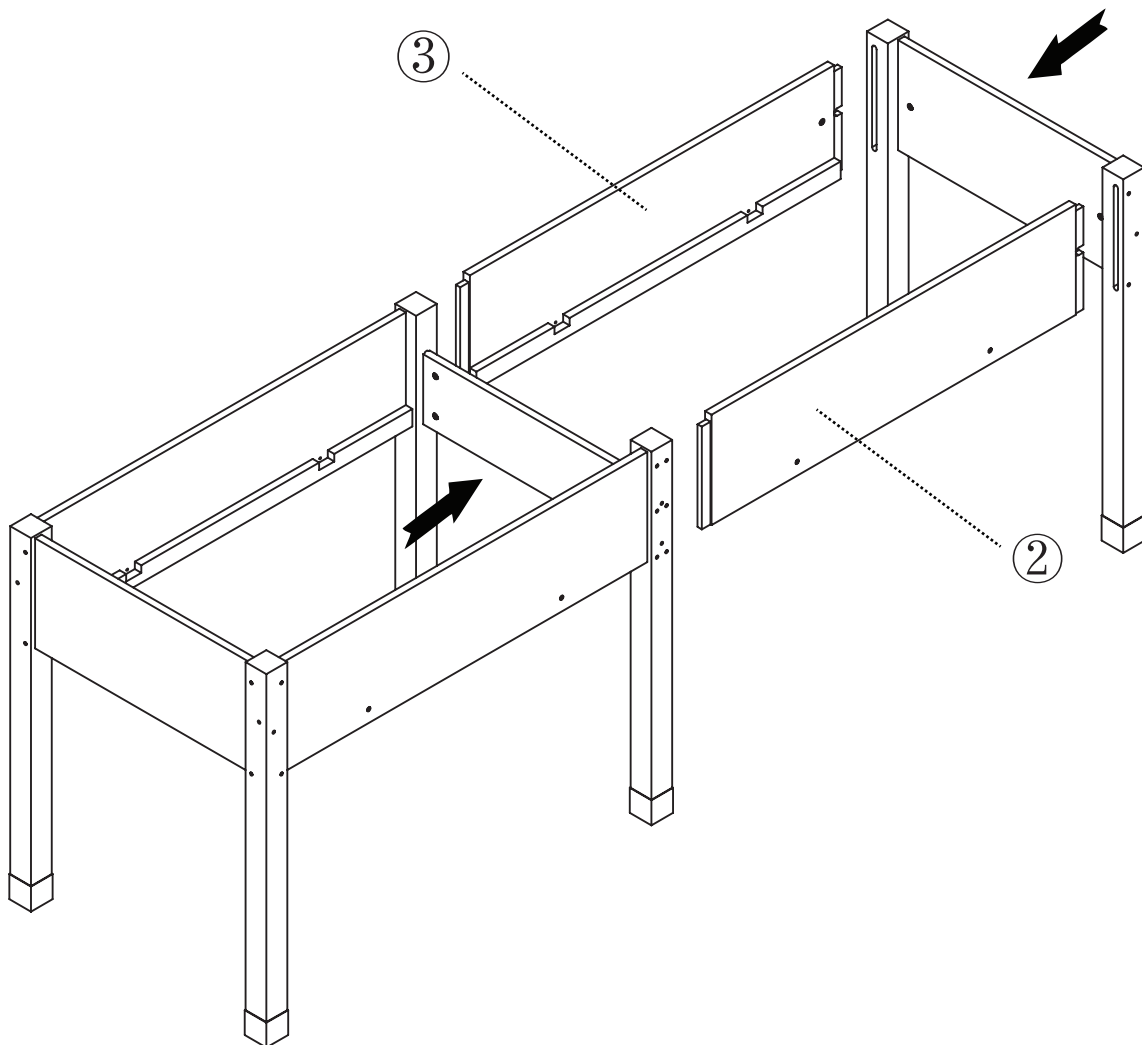
# PRODUCT ASSEMBLY

# 10



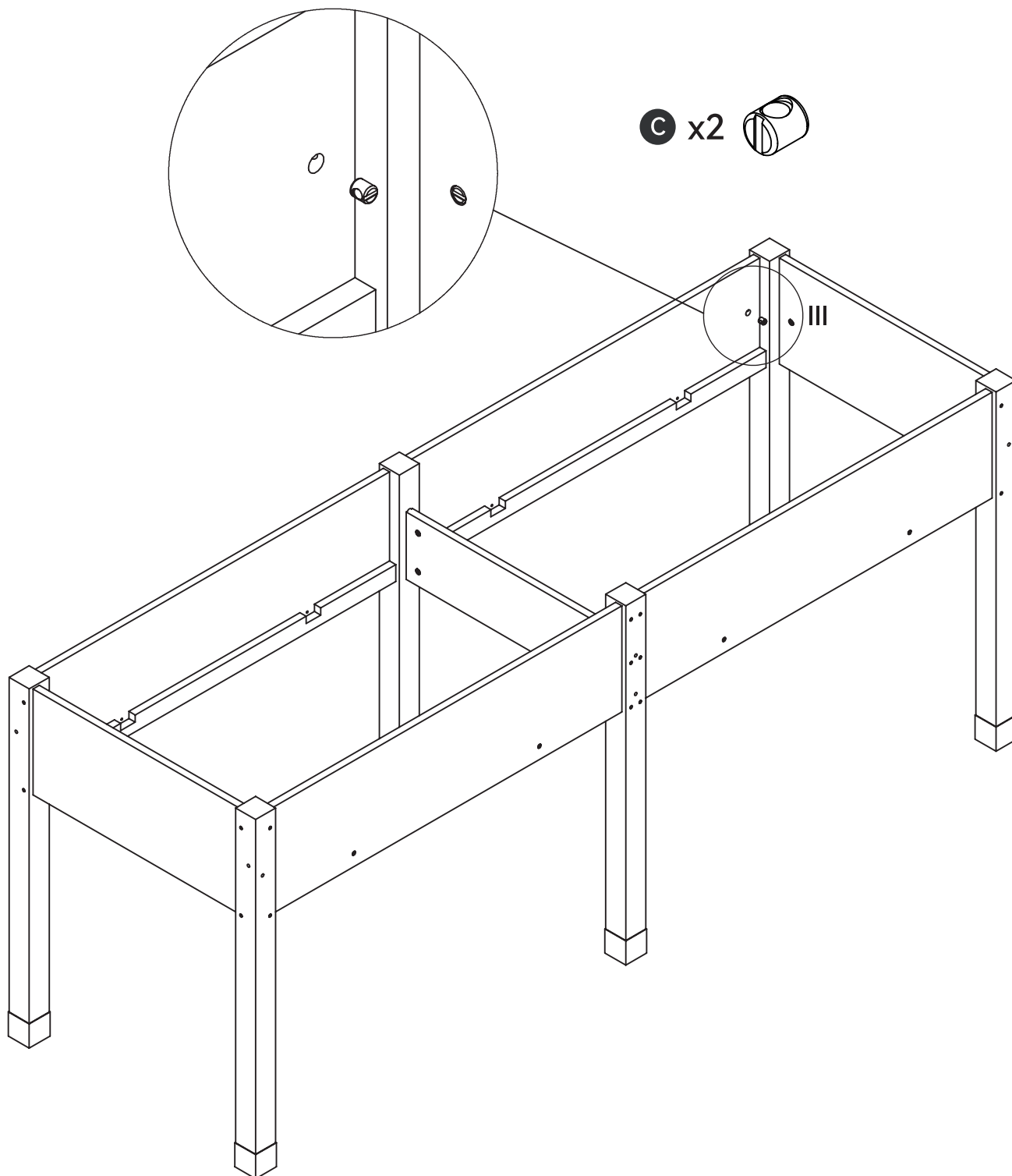
As shown in the figure, connect and fix with screw (A) and nut (C), and then fix with screw (B)

11



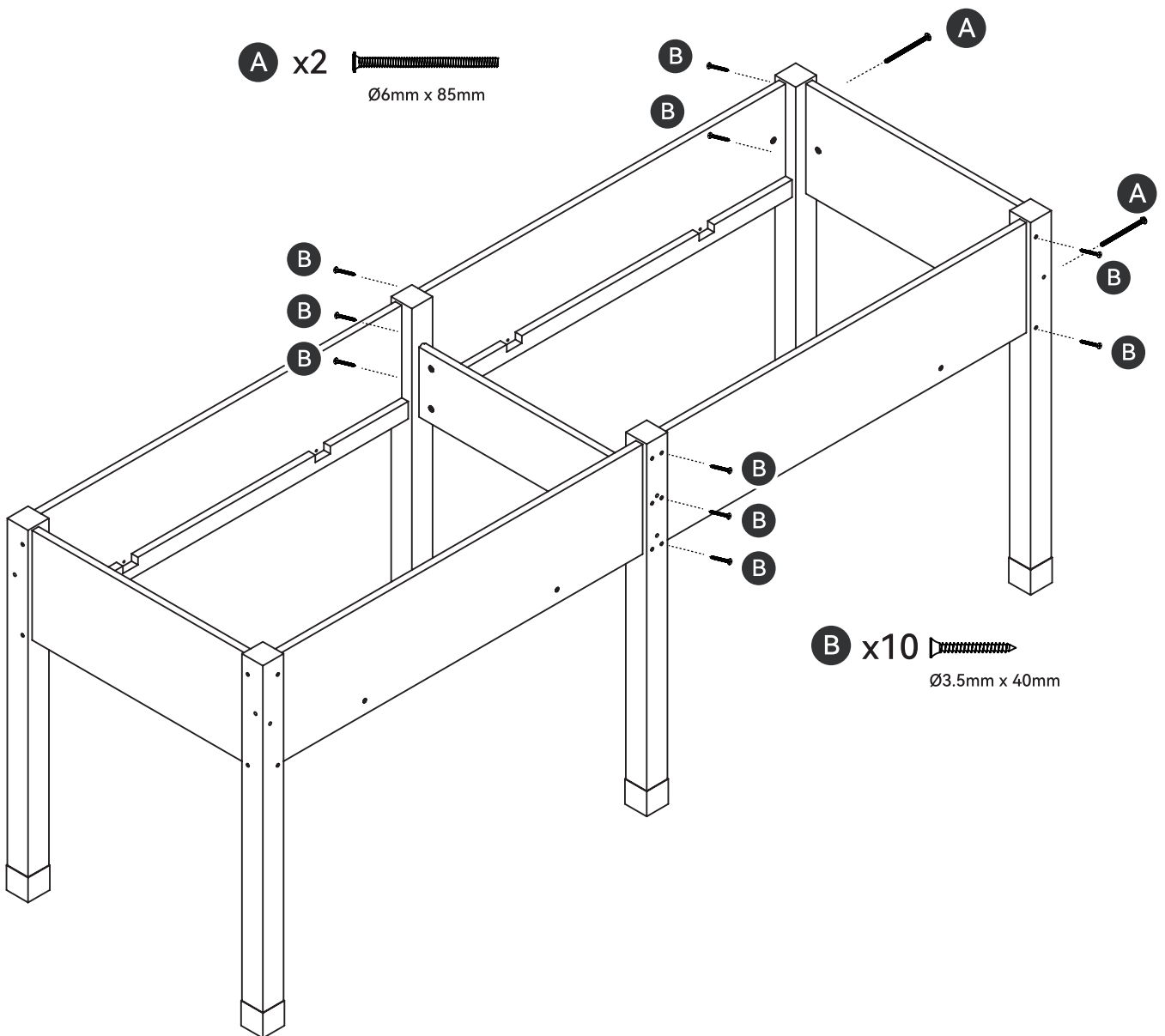
As shown in the figure, place the two components assembled in steps 10 and 4, and install component (2) and component (3) into the card slot

12



As shown in the figure, insert the nut (C) parallel into the screw holes of component (2) and component (3)

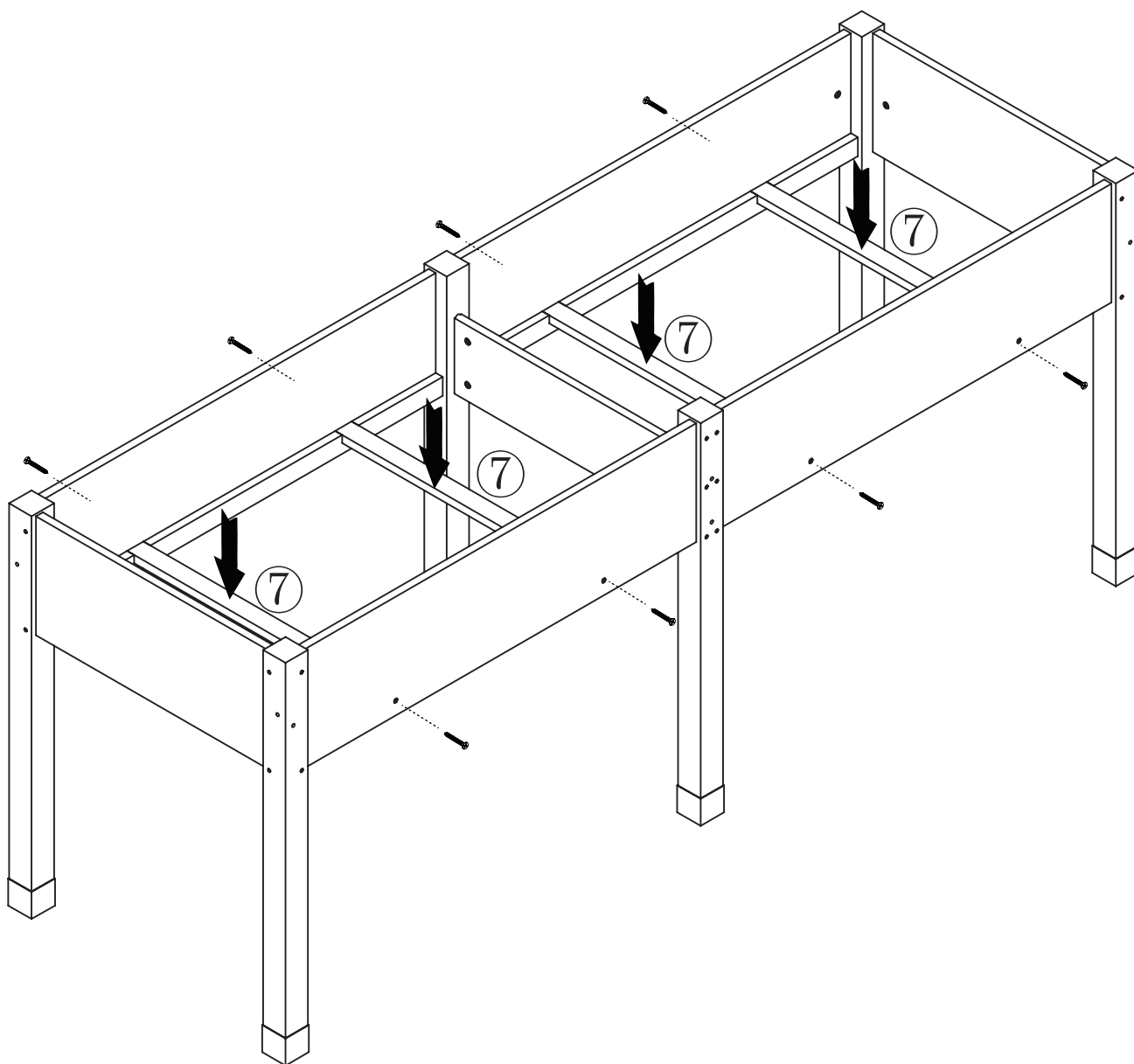
**13**



As shown in the figure, connect and fix with screw (A) and nut (C), and then fix with screw (B)

14

**B** x8   
Ø3.5mm x 40mm

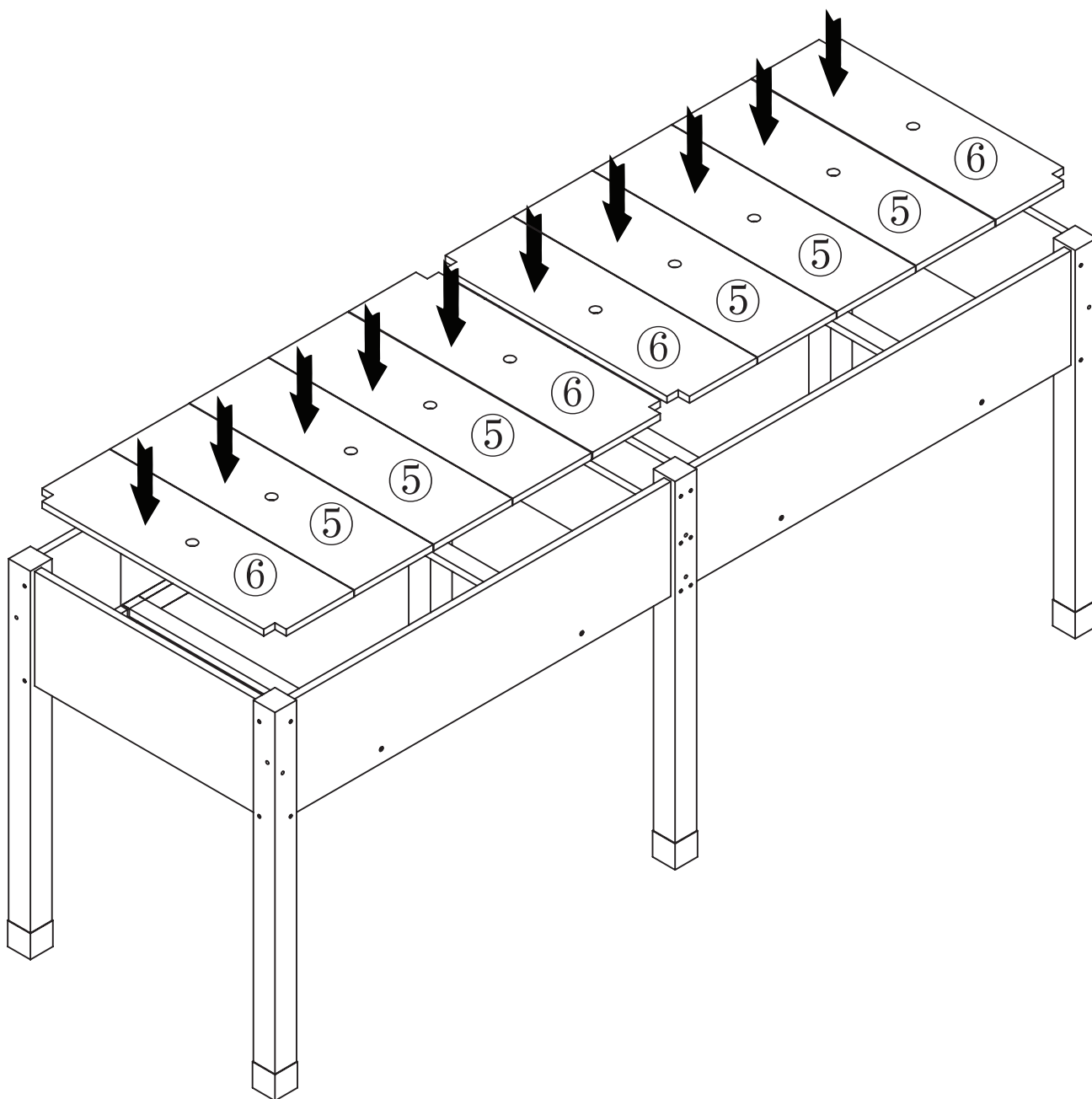


Place the components (7) inside the product in sequence as shown in the diagram and secure them with screws (B)

# PRODUCT ASSEMBLY

15

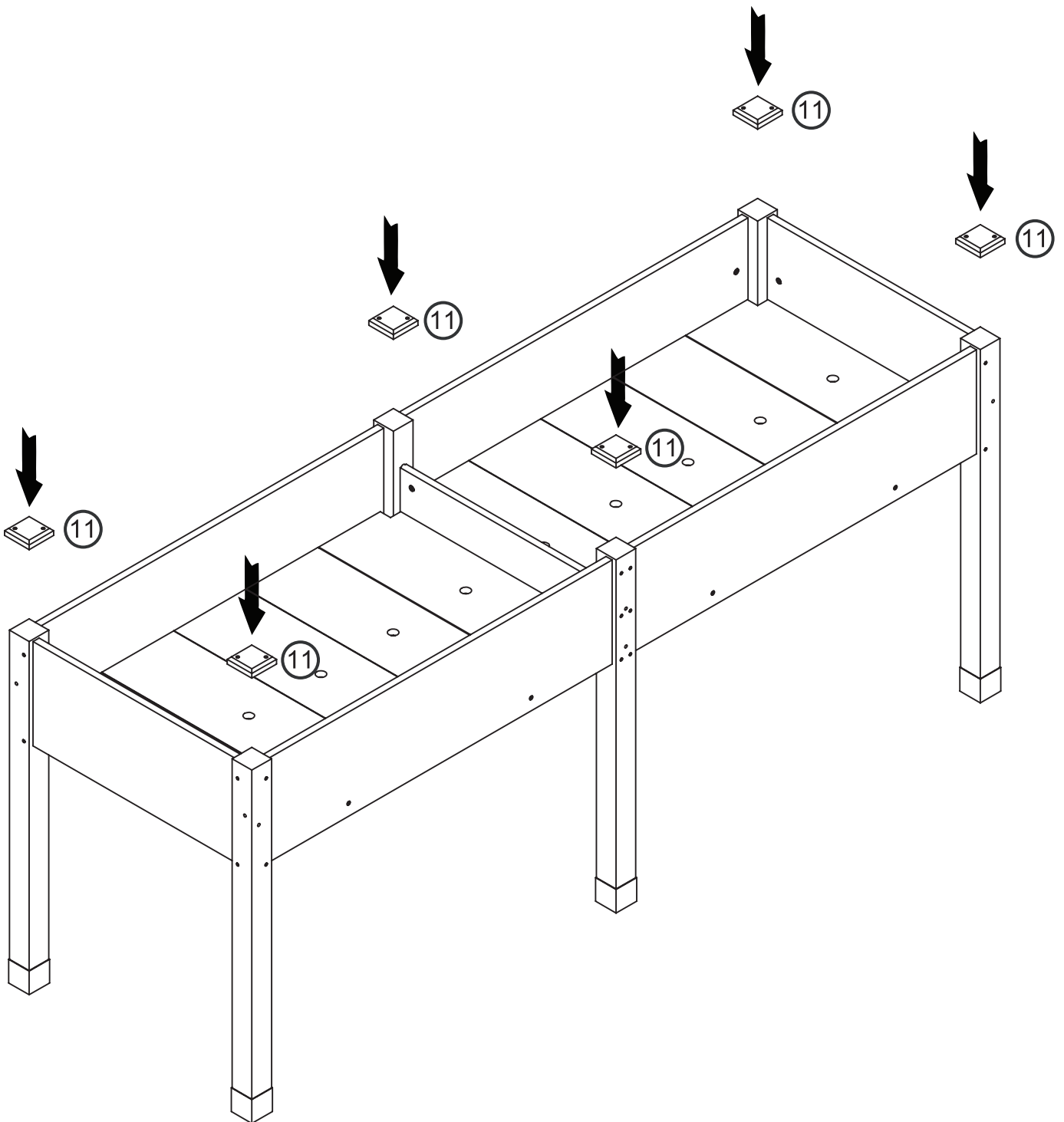
Place components (5) and (6) inside the product in sequence as shown in the diagram



# PRODUCT ASSEMBLY

## 16

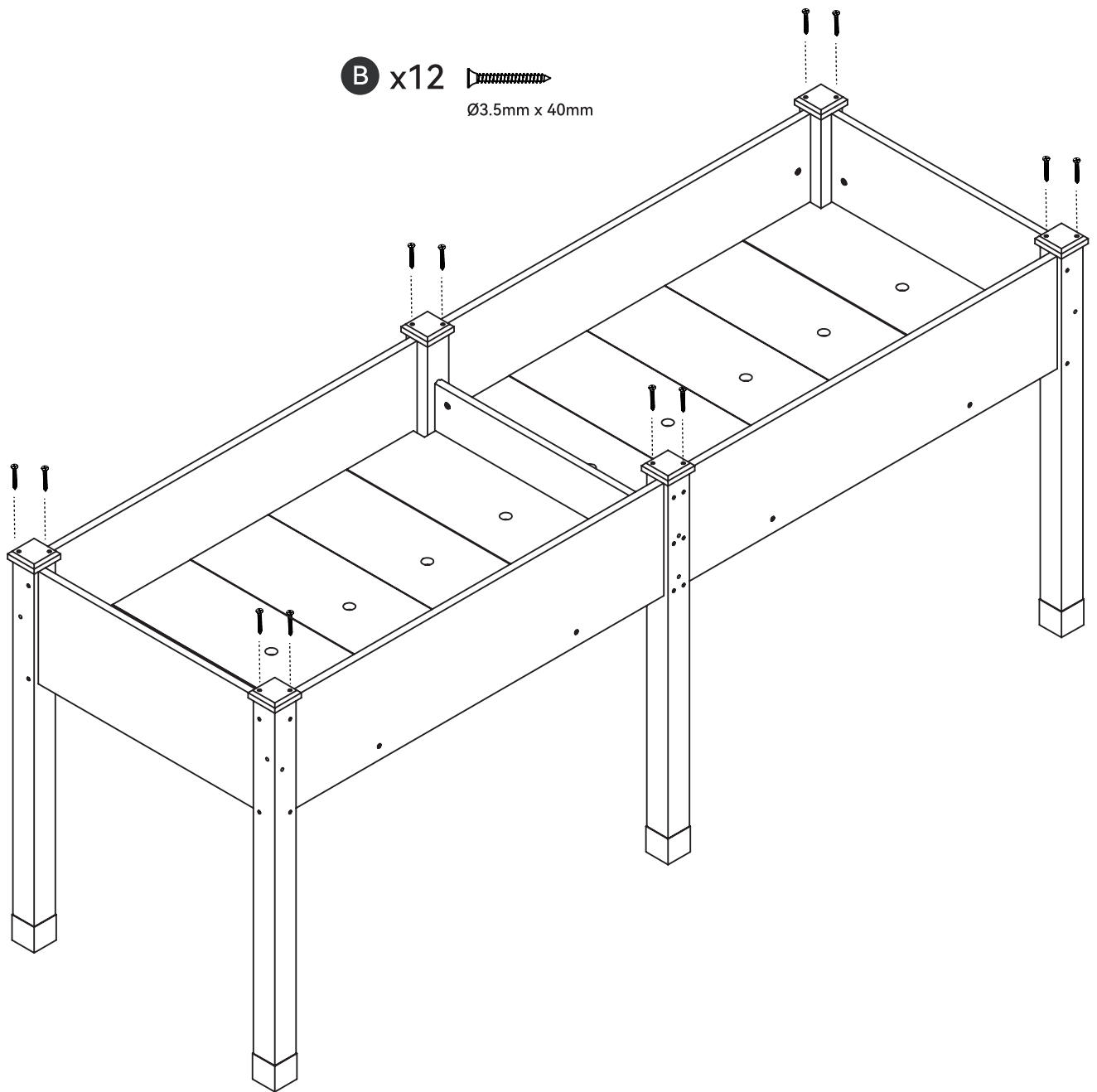
As shown in the figure, place component (11) above the product component



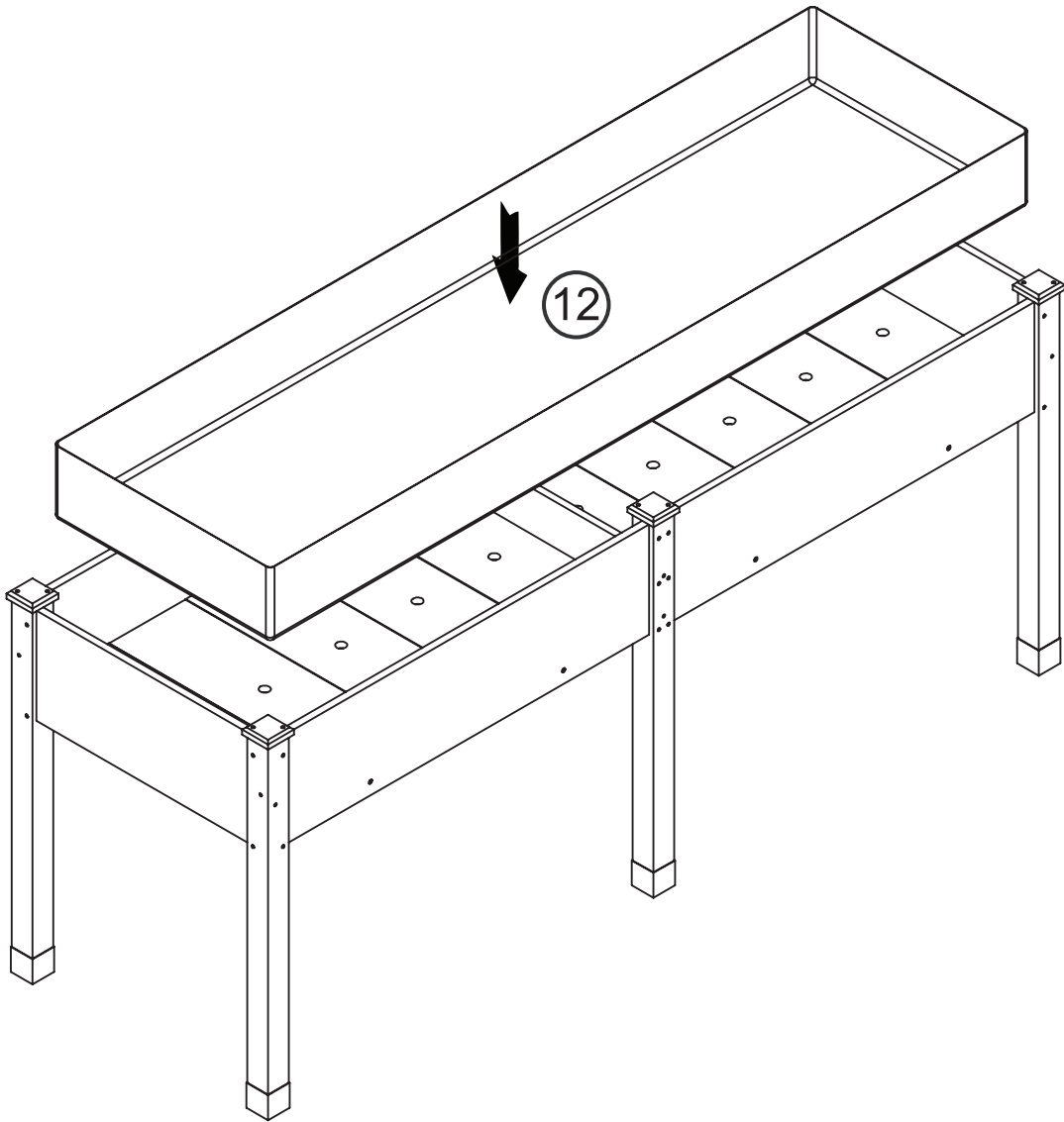
# PRODUCT ASSEMBLY

# 17

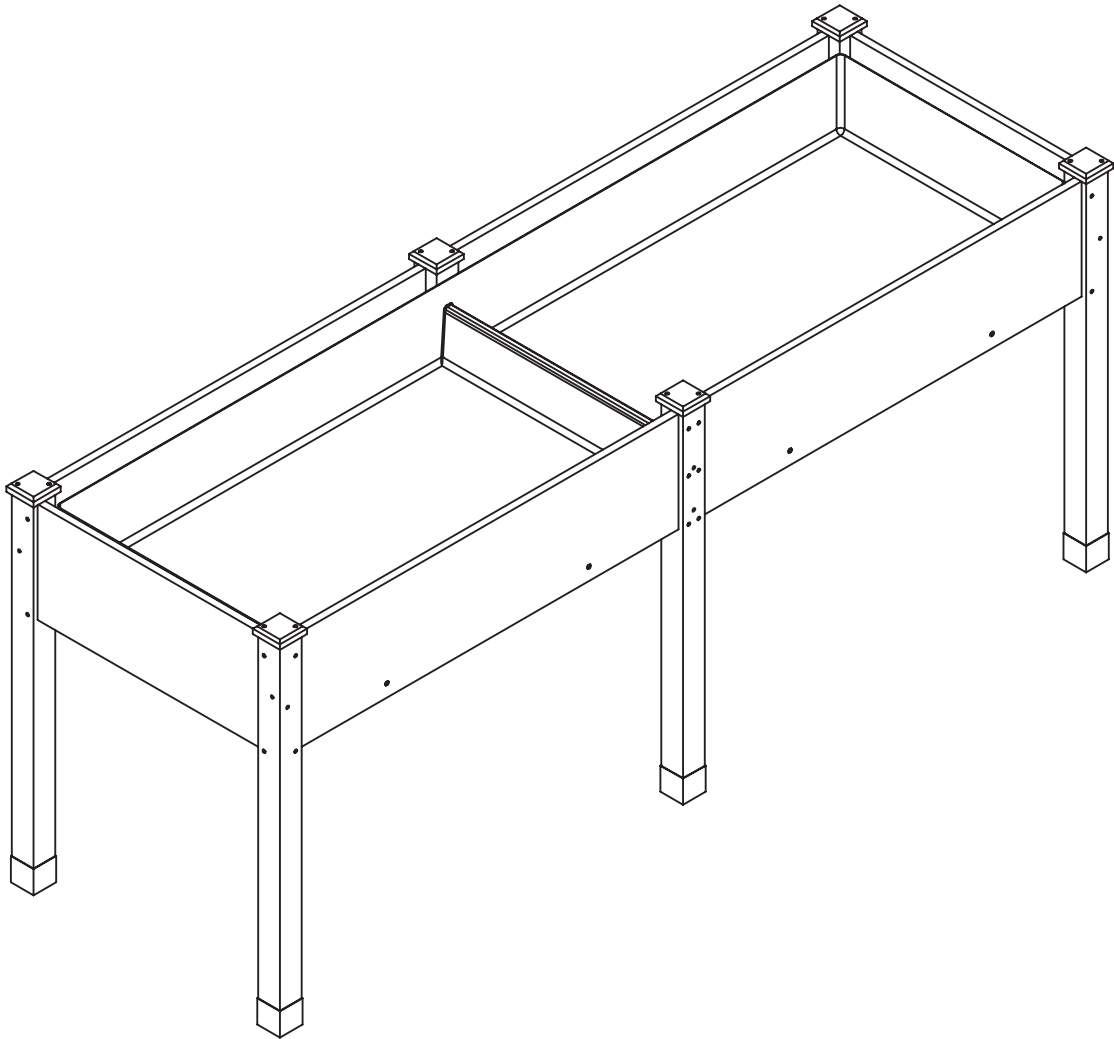
As shown in the figure, fix component (11) with screw (B)



18



**19**



**Done!**

# WOODEN RAISED GARDEN BED

**SKU:**

BK2881-1A2A0

BK2881-1A2B0

V1.0