

Upholstered Platform Bed with Tufted Wingback Headboard.

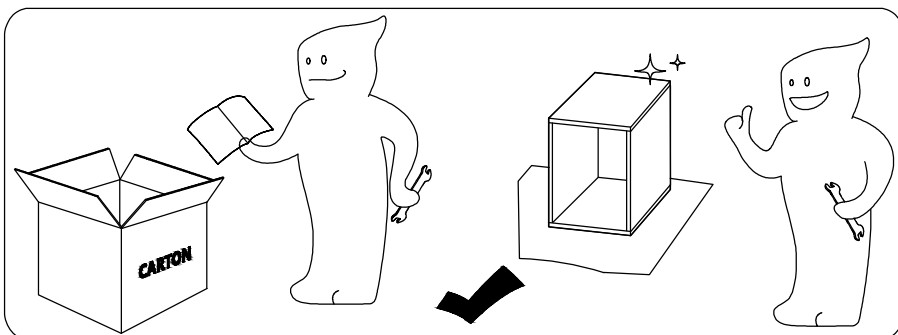
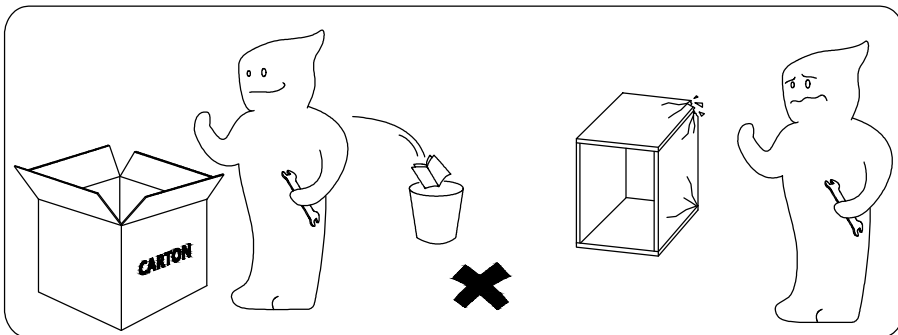


Dear Customers,

Thank you for purchasing our product. Please read this instruction manual carefully after receiving this product. It will help you assemble this product quickly, safely and correctly. You can keep this manual for future reference.

! IMPORTANT

Please follow the instruction manuals and use a pad to protect the product during your assembly.



Note:

1. Should be assembled on flat ground to keep balance.
2. Before completing the installation, do not tighten the screws.



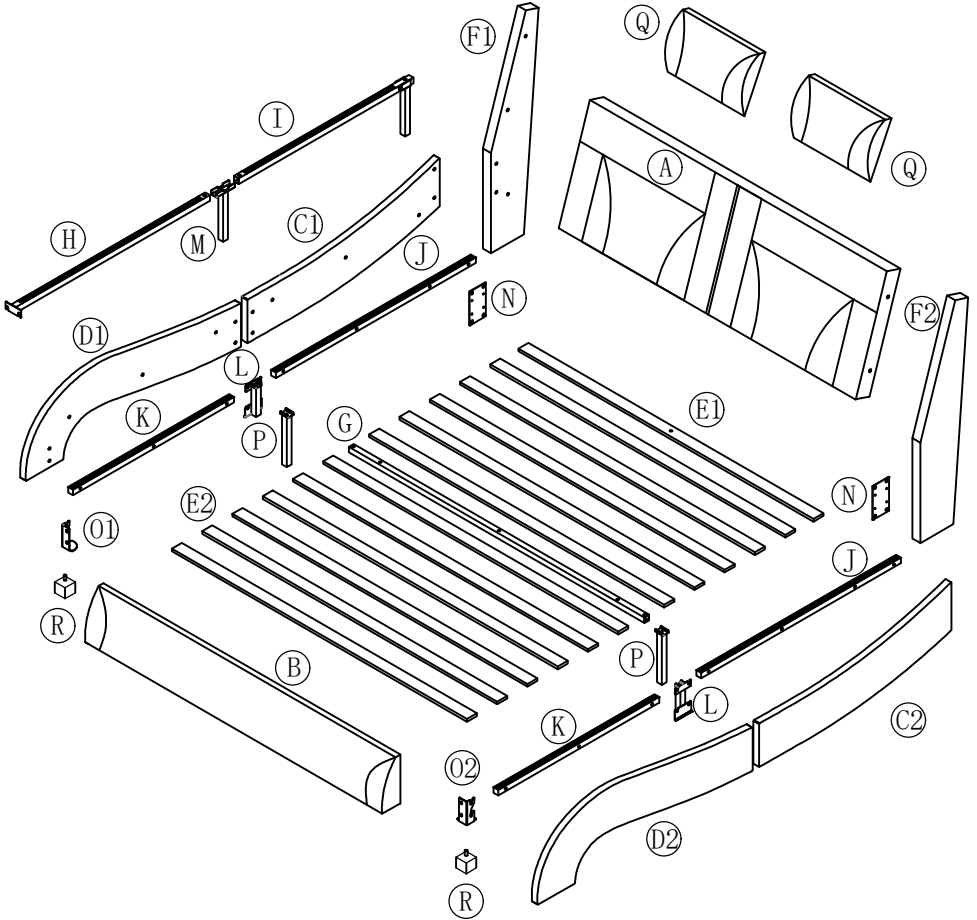
For easier and better assembly, 2 or more adults are required.



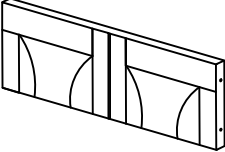
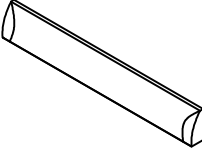
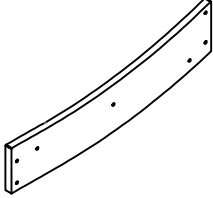
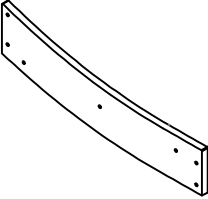
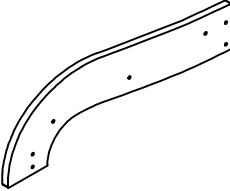
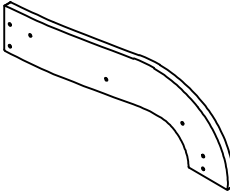
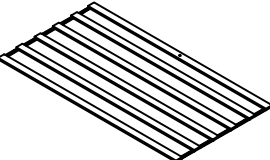
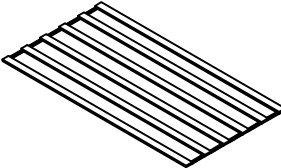


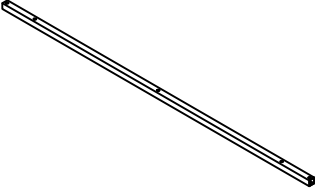

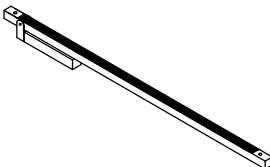
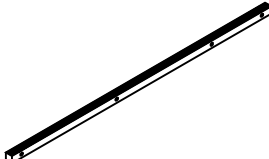
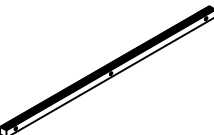
(S)



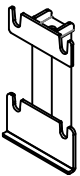
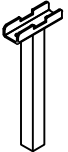
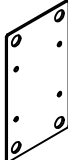
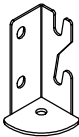
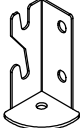

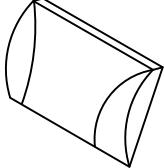
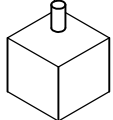
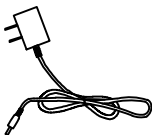

(T)



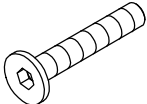
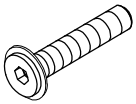
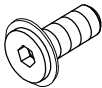
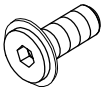
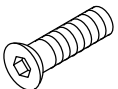



Part list

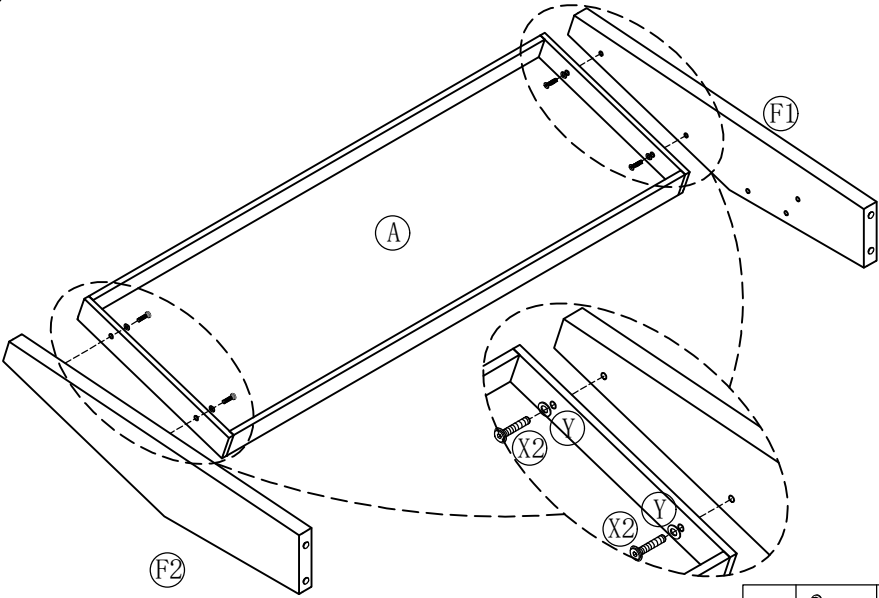
<p>A 1PC</p> 	<p>B 1PC</p> 	<p>C1 1PC</p> 
<p>C2 1PC</p> 	<p>D1 1PC</p> 	<p>D2 1PC</p> 
<p>E1 1PC</p> 	<p>E2 1PC</p> 	<p>F1 1PC</p> 
<p>F2 1PC</p> 	<p>G 1PC</p> 	<p>H 1PC</p> 
<p>I 1PC</p> 	<p>J 2PCS</p>  <p>Cross bar</p>	<p>K 2PCS</p> 


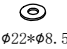
Part list

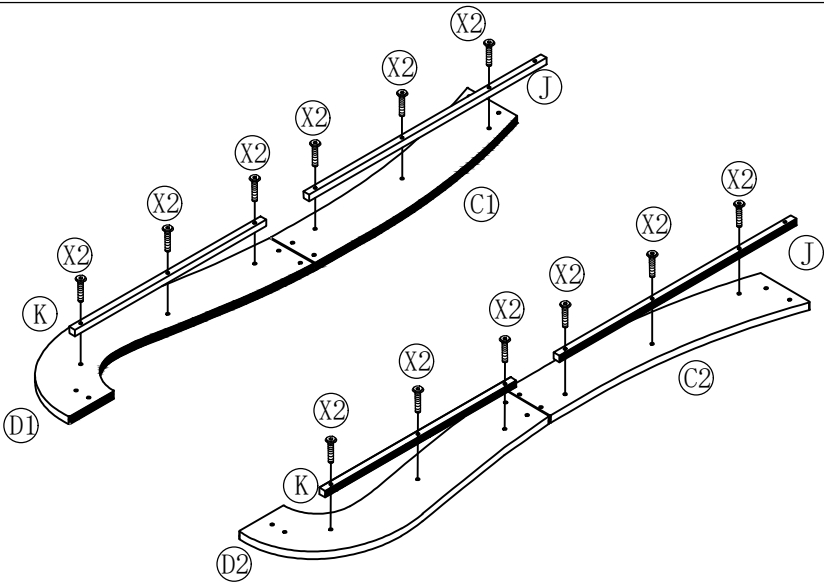
L	2PCS	M	1PC	N	2PCS	O1	1PC
							
O2	1PC	P	2PCS	Q	2PCS	R	2PCS
							
S	1PC	T	1PC				
							


Hardware list

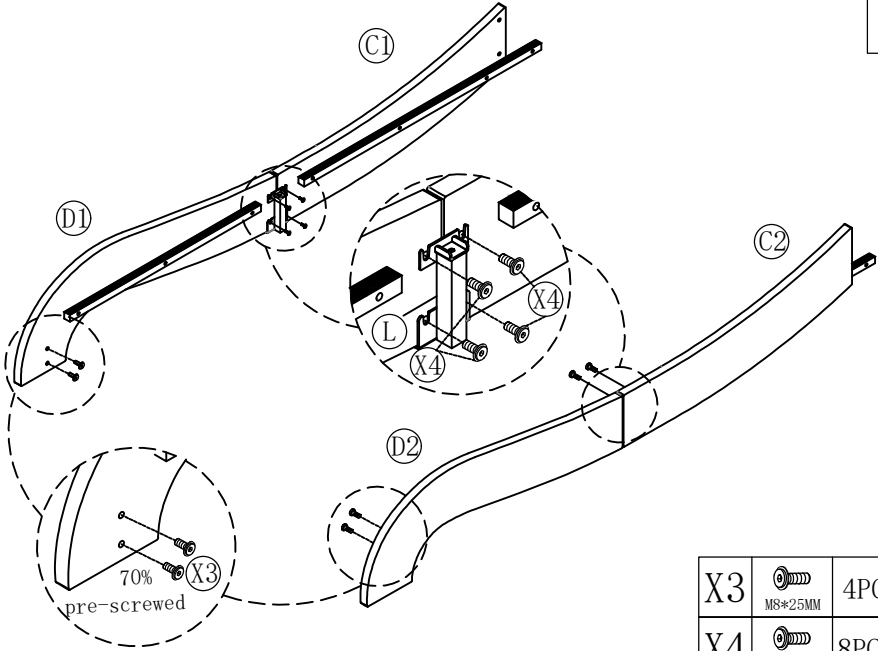
X1	2PCS	X2	24PCS	X3	10PCS	X4	8PCS
							
M8*50mm		M8*40mm		M8*25mm		M8*18mm	
X5	8PCS	X6	8PCS	Y	5PCS	Z	1PC
							
M8*20mm		M4*25mm		ø22*ø8.5		M8 Spanner	



1

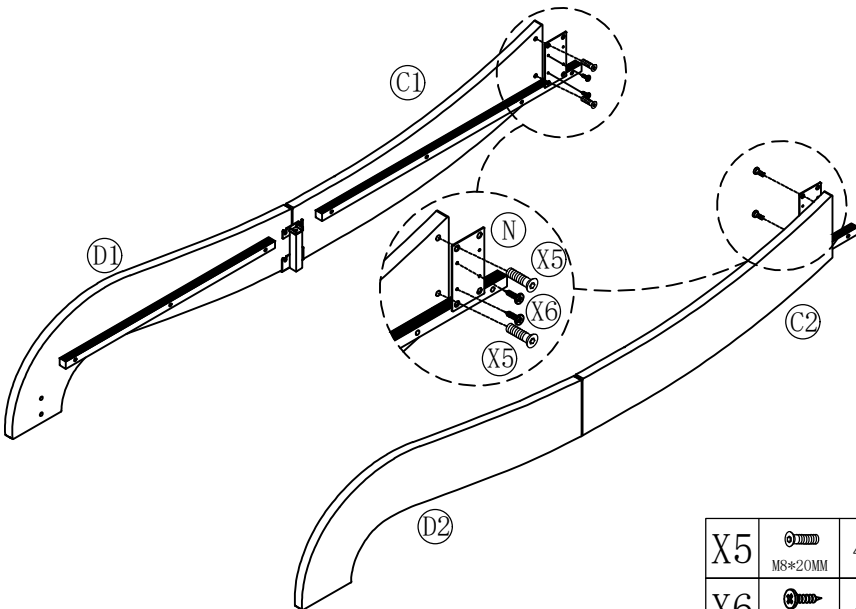
X2		4PCS
	M3*40MM	
Y		4PCS
	φ22*φ8.5	



2

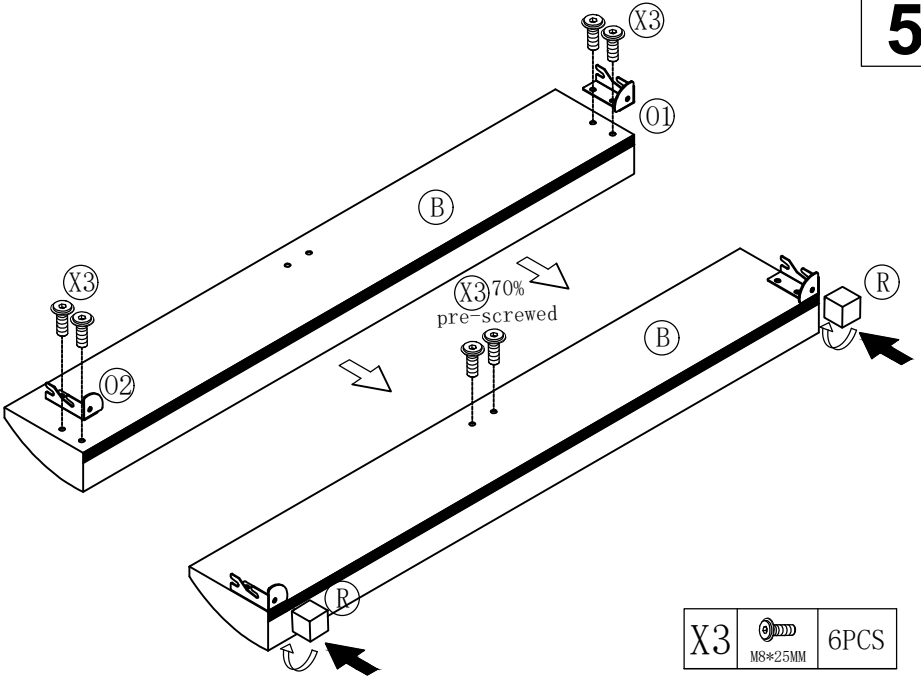
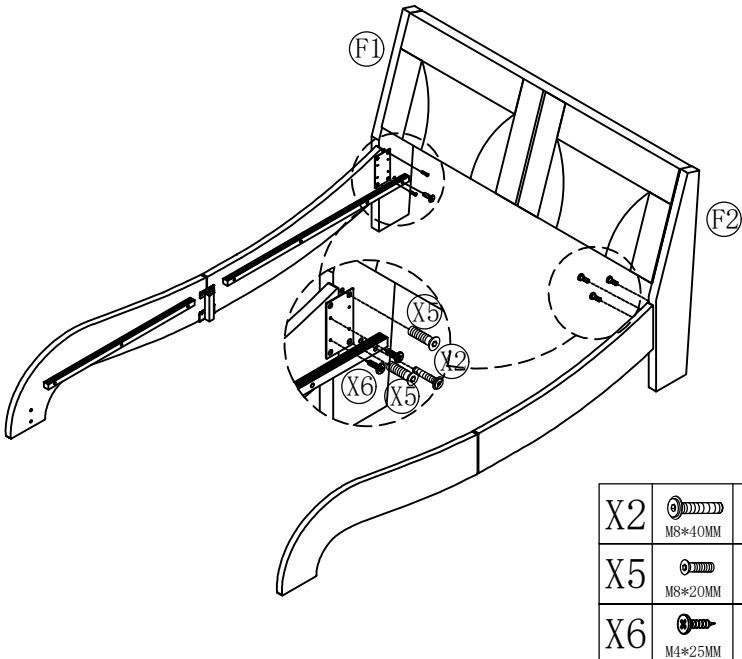
X2		12PCS
	M3*40MM	

3

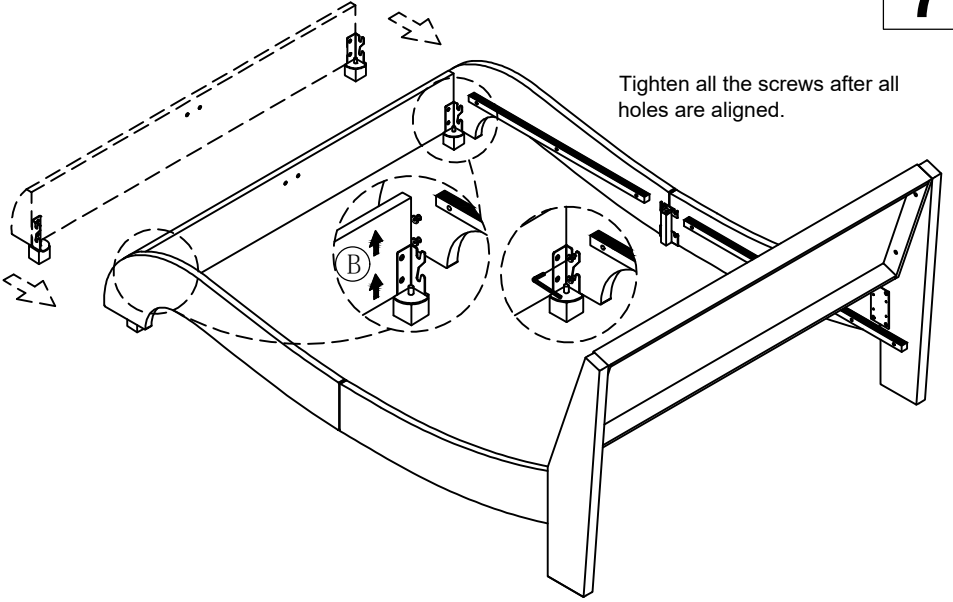
X3		M8*25MM	4PCS
X4		M8*18MM	8PCS

4

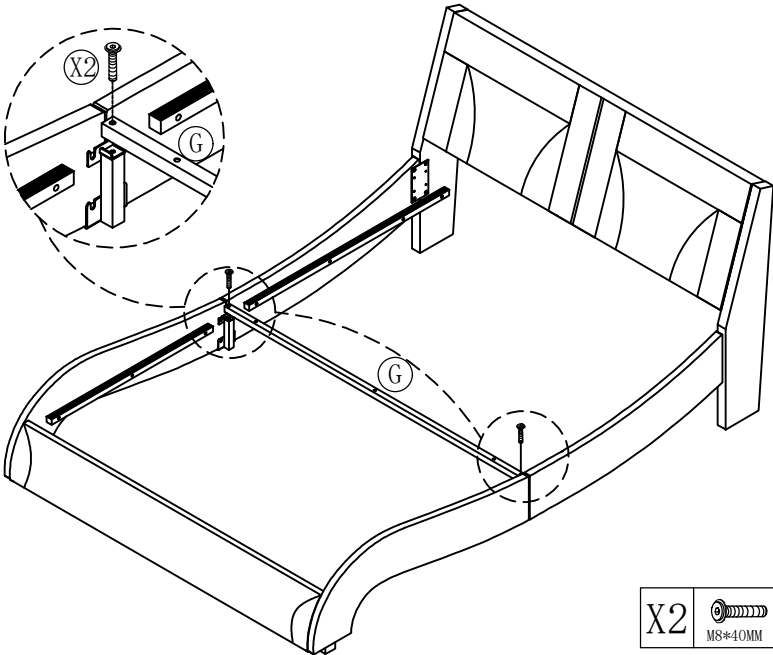
X5		M8*20MM	4PCS
X6		M4*25MM	4PCS

5**6**

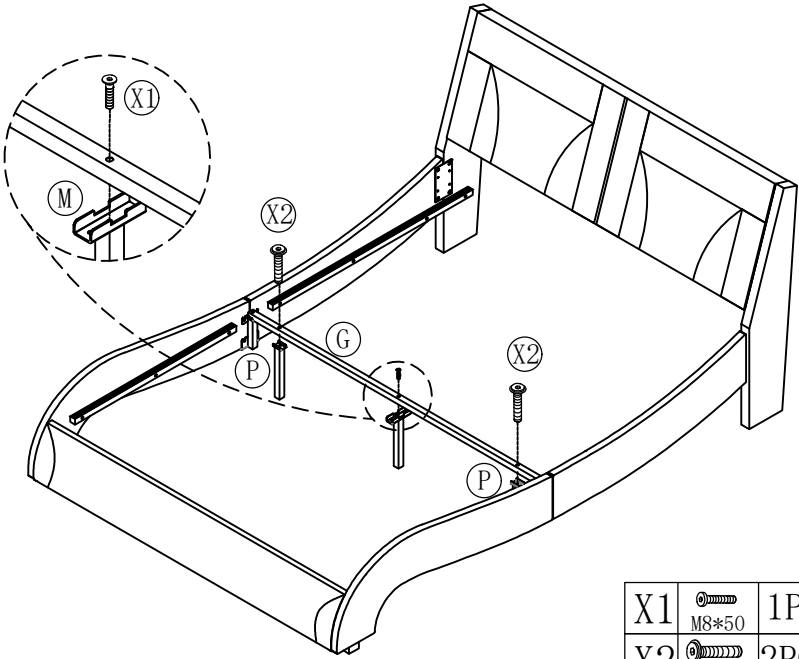
7





8

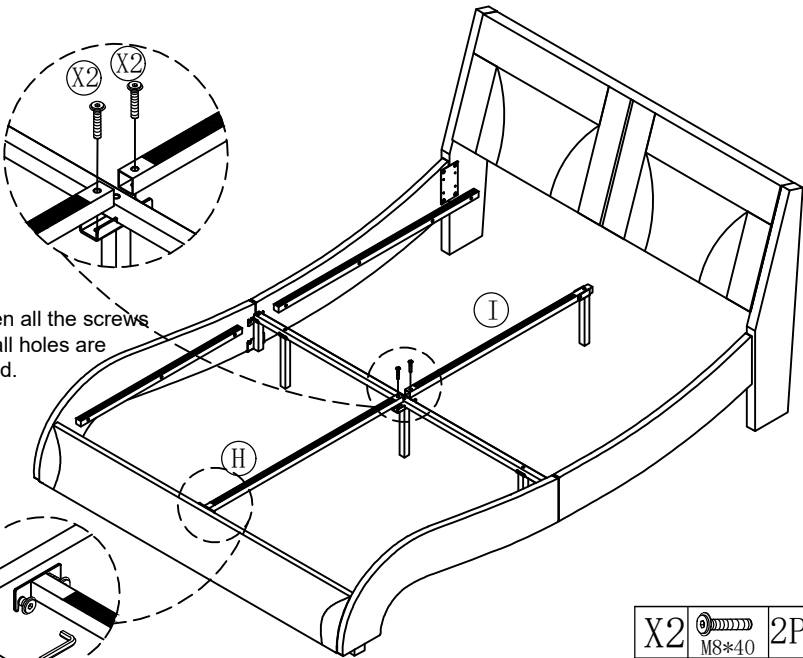


9



X1		1PC
X2		2PCS

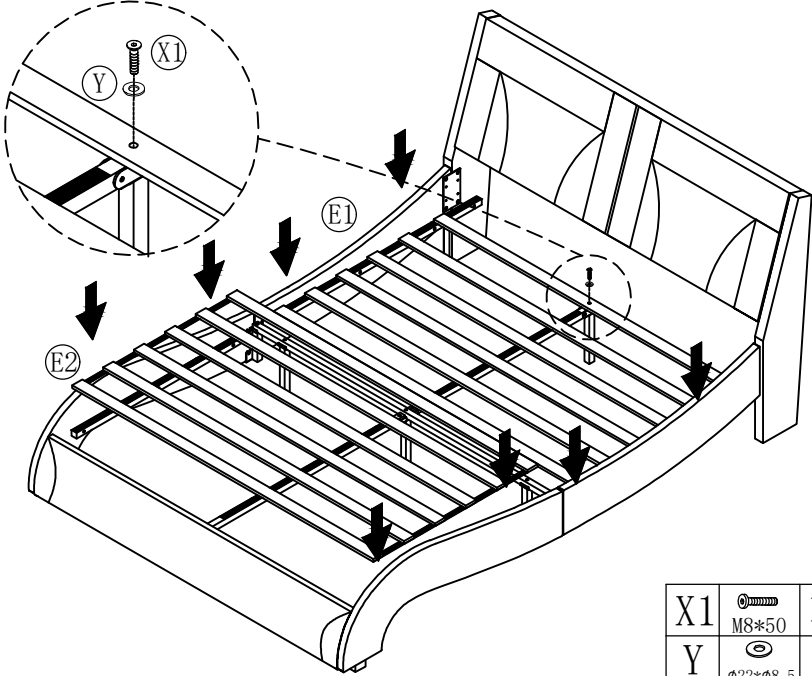
10



Tighten all the screws after all holes are aligned.

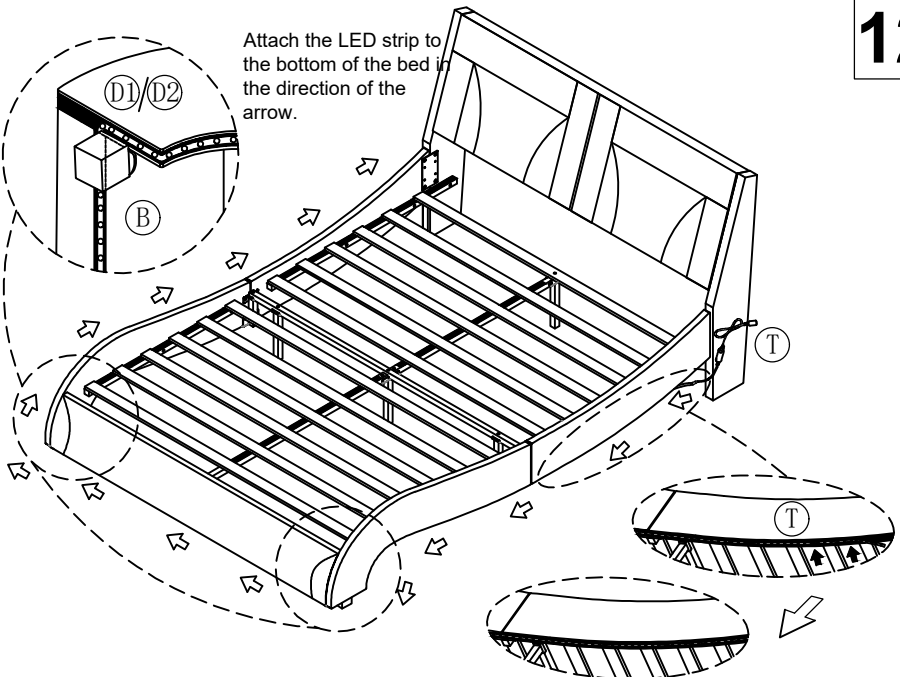
X2		2PCS
----	---	------

11



X1	 M8*50	1PC
Y	 φ22*φ8.5	1PC

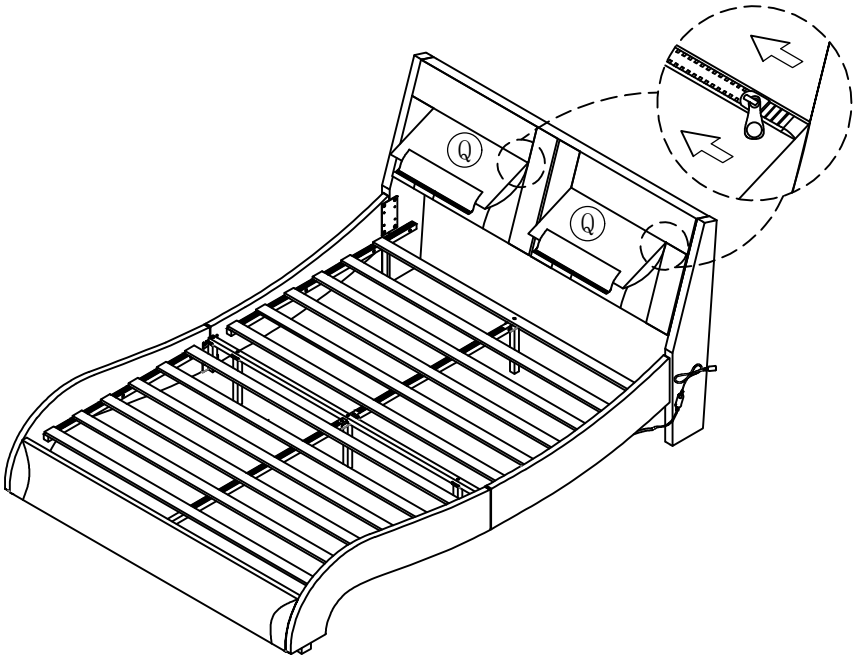
12



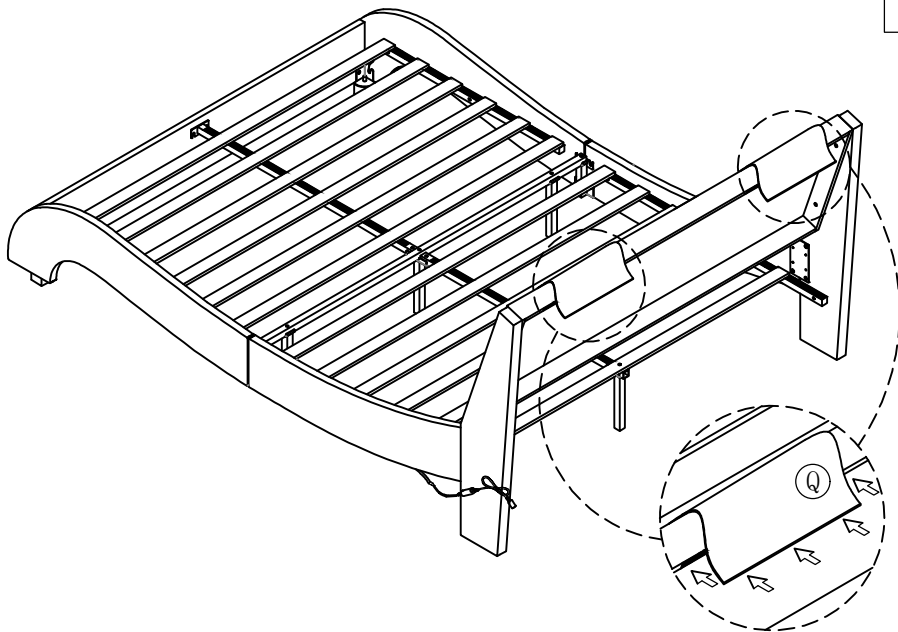
13



14



15



16

