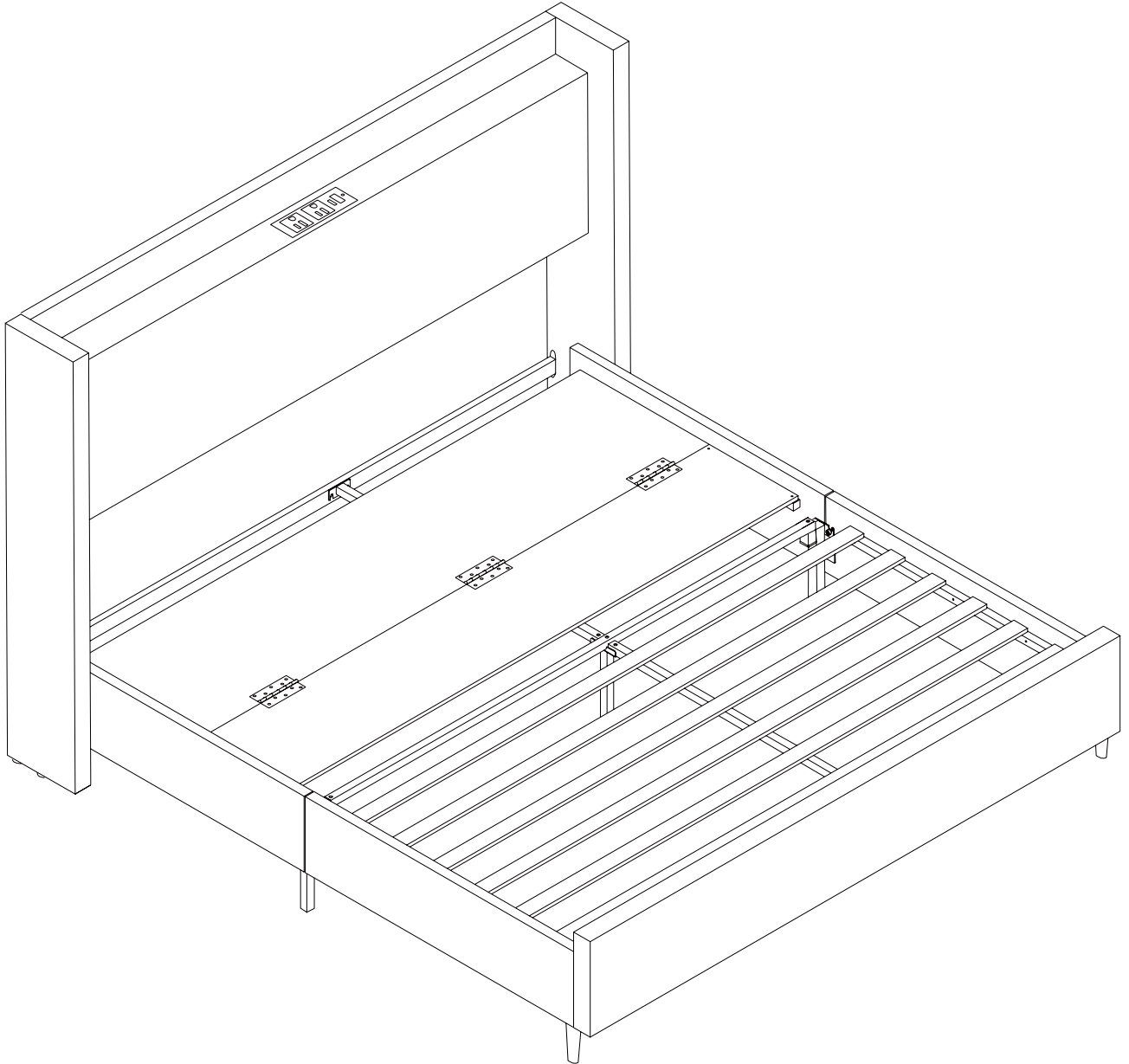


Assembly Instruction

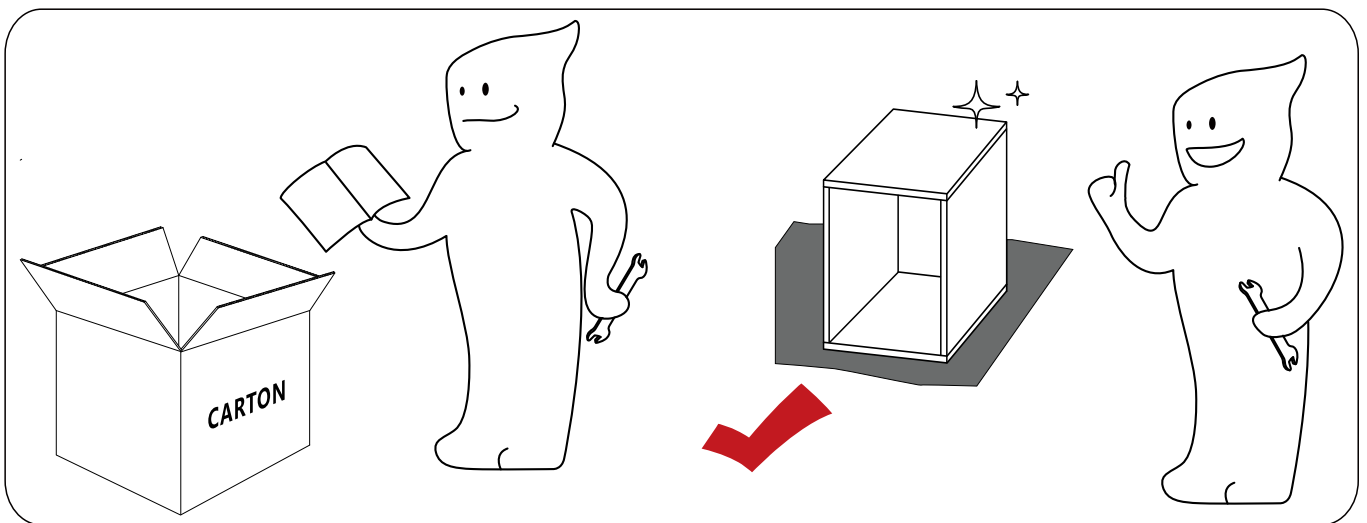
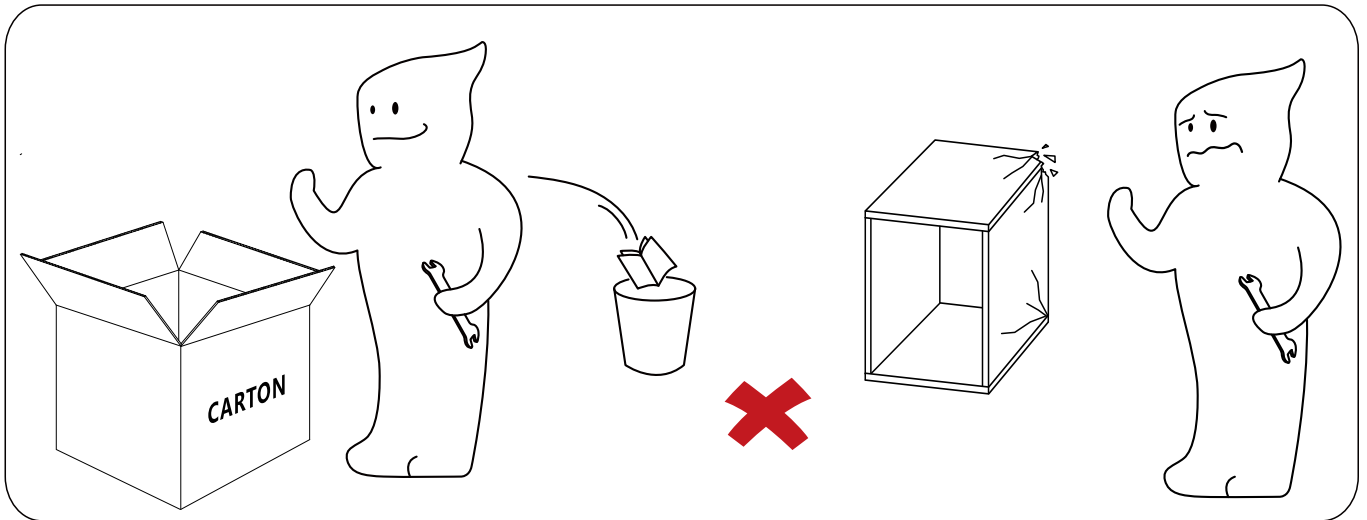


Please check that you have all the parts listed before you start assembling,if you do find that something is missing,do not continue assembly,please contact us immediately.

NOTE:Please do not completely tighten all the hardware until the entire assembly is complete!

! IMPORTANT

Please follow the instruction manuals and use a pad to protect the product during your assembly.

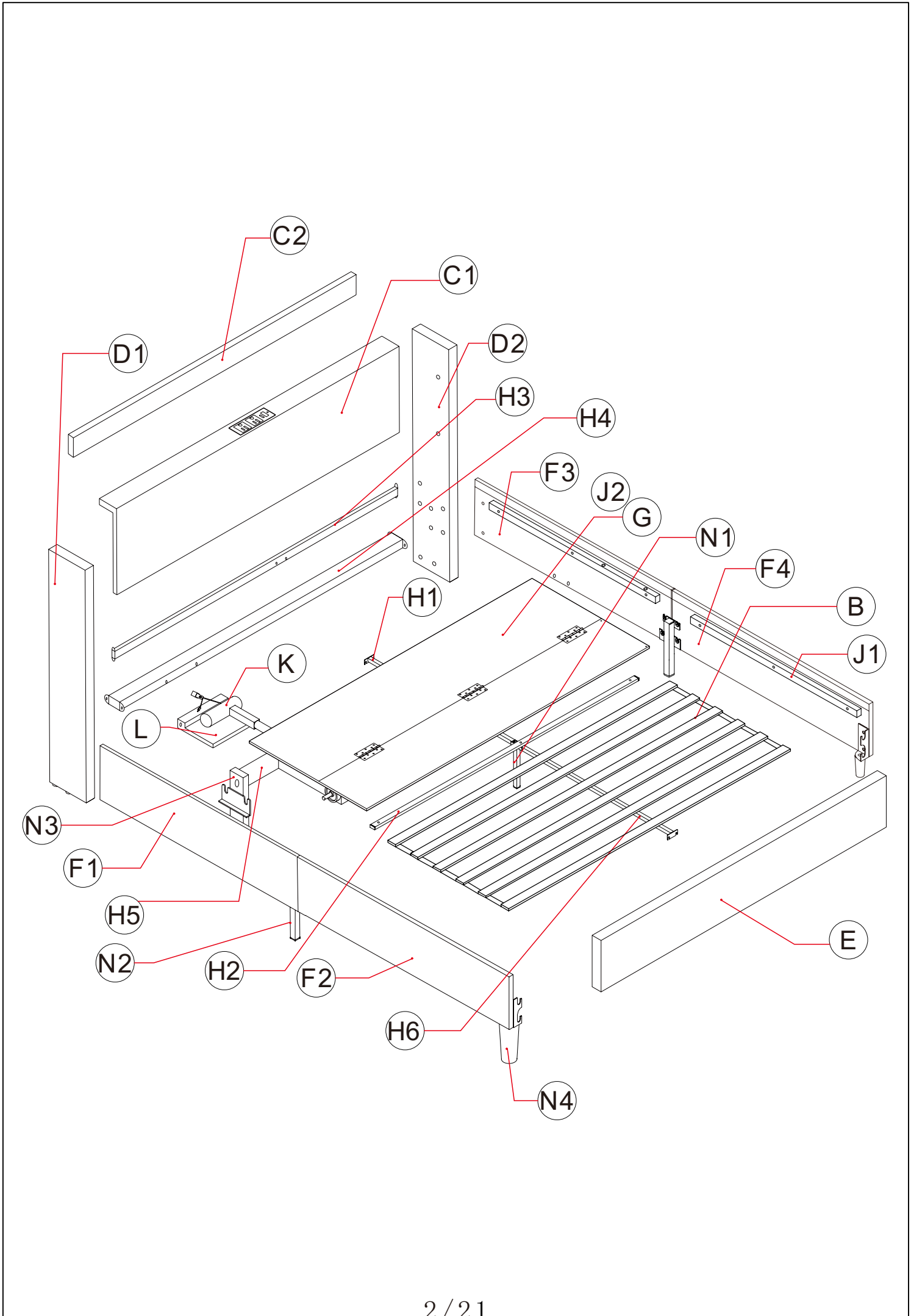


Note:

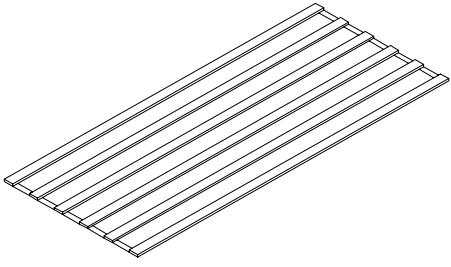
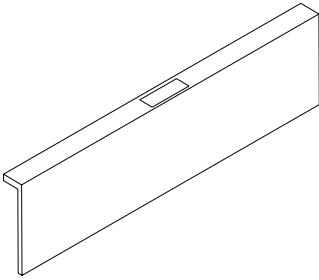
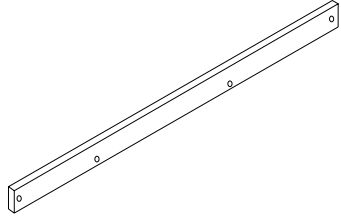
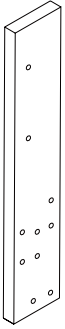
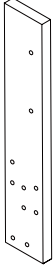
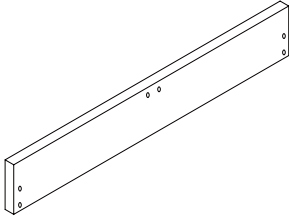
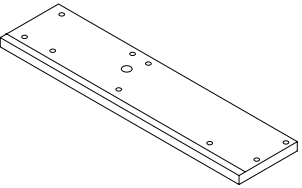
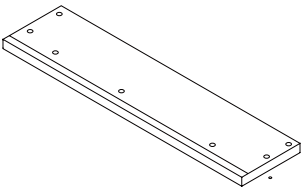
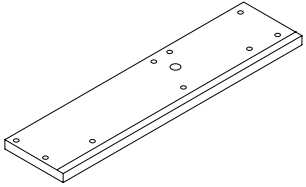
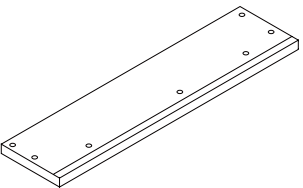
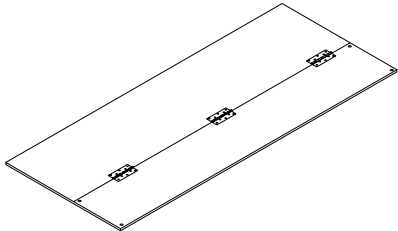
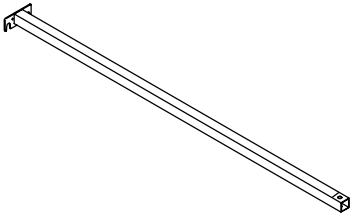
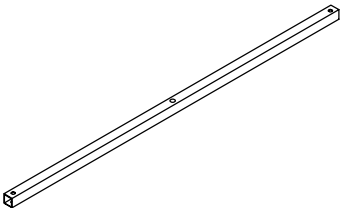
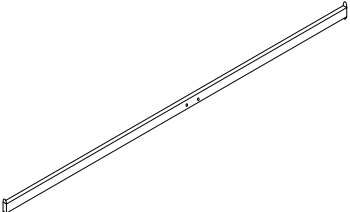
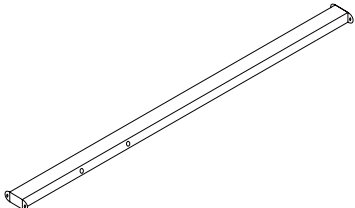
1. Should be assembled on flat ground to keep balance.
2. Before completing the installation, do not tighten the screws.



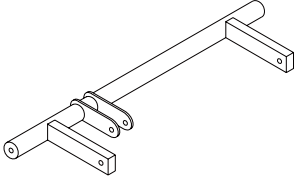
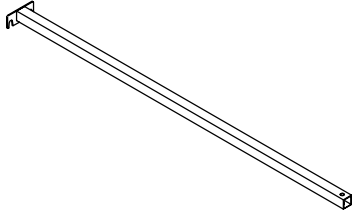
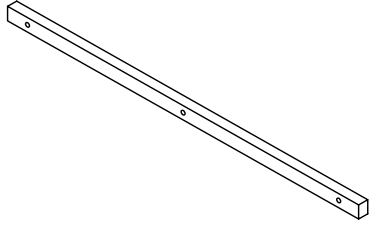
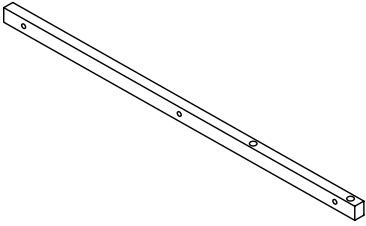
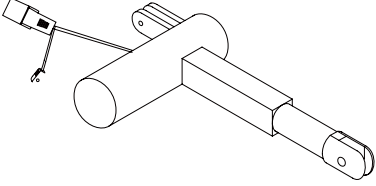
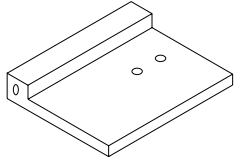
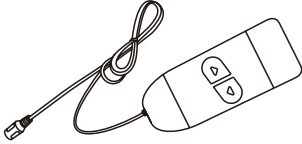
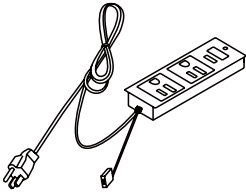
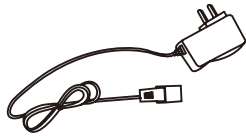
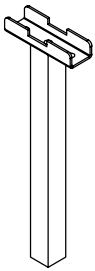
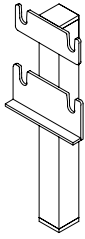
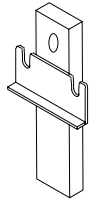
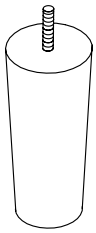
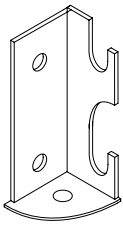
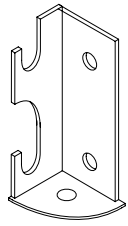
For easier and better assembly, **2** or more adults are required.



BED FRAME PARTS LIST

B 1PCS  Slat	C1 1PC  Top headboard	C2 1PC  Top headboard
D1 1PC  Left Leg	D2 1PC  Right Leg	E 1PC  Footboard
F1 1PC  side rail	F2 1PC  side rail	F3 1PC  side rail
F4 1PC  side rail	G 1PC  Front support panel	H1 1PC  Middle front support bar
H2 1PC  Cross bar	H3 1PC  Upper Headboard bar	H4 1PC  Lower Headboard bar

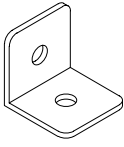
BED FRAME PARTS LIST

H5  Drive rod 1PC	H6  Middle behind support bar 1PC	J1  Side bar 2PCS
J2  Side bar 2PCS	K  Gas-lifter 1PC	L  Mounting base 1PC
M1  Controllers 1PC	M2  Electric outlet 1PC	M3  Power cable 1PC
N1  Middle support leg 1PC	N2  Bed side support leg 2PCS	N3  Bed side support leg 2PCS
N4  Foot 2PCS	P1  Connector-P1 1PC	P2  Connector-P2 1PC

BED FRAME PARTS LIST

P3

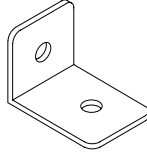
2PCS



Connector-P3

P4

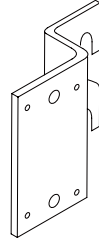
6PCS



Connector-P4

P5

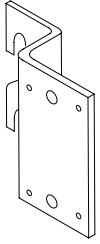
1PC



Connector-P5


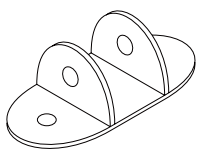
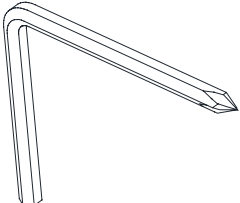


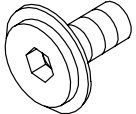
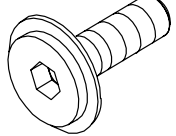
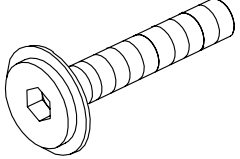
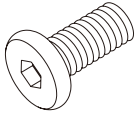
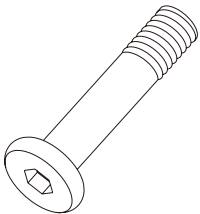

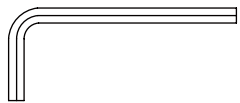
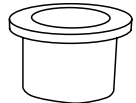
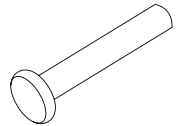

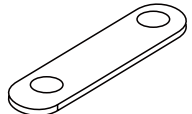
P6

1PC



Connector-P6

FITTING PART LIST

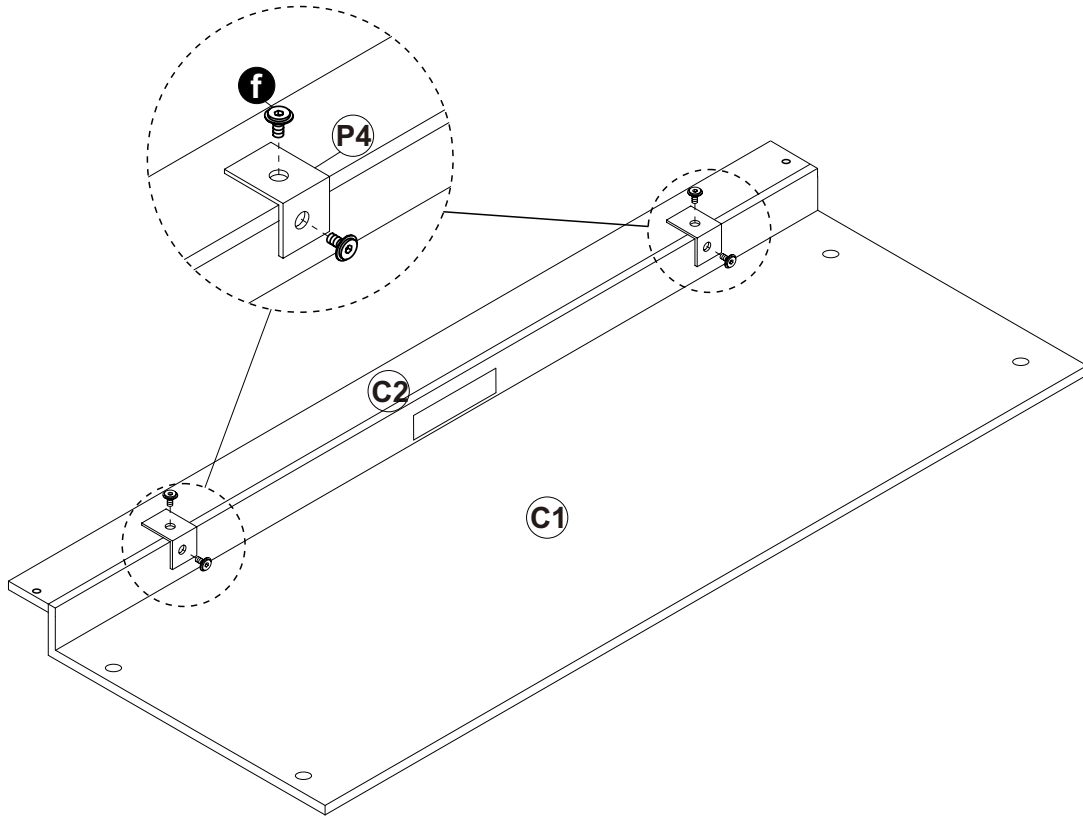
a	2PCS	b	1PC	c	1PC	d	8PCS
					M6		M4*16
e	4PCS	f	44PCS	g	9PCS	h	12PCS
							
M8*40		M8*18		M8*35		M8*50	
i	14PCS	j	2PCS	m	4PCS	n	1PC
							
M8*18		M10*37				M8	
o	8PCS	r	4PCS	s	4PCS	t	2PCS
							
						Connector	

step1

f

M8*18

4PCS

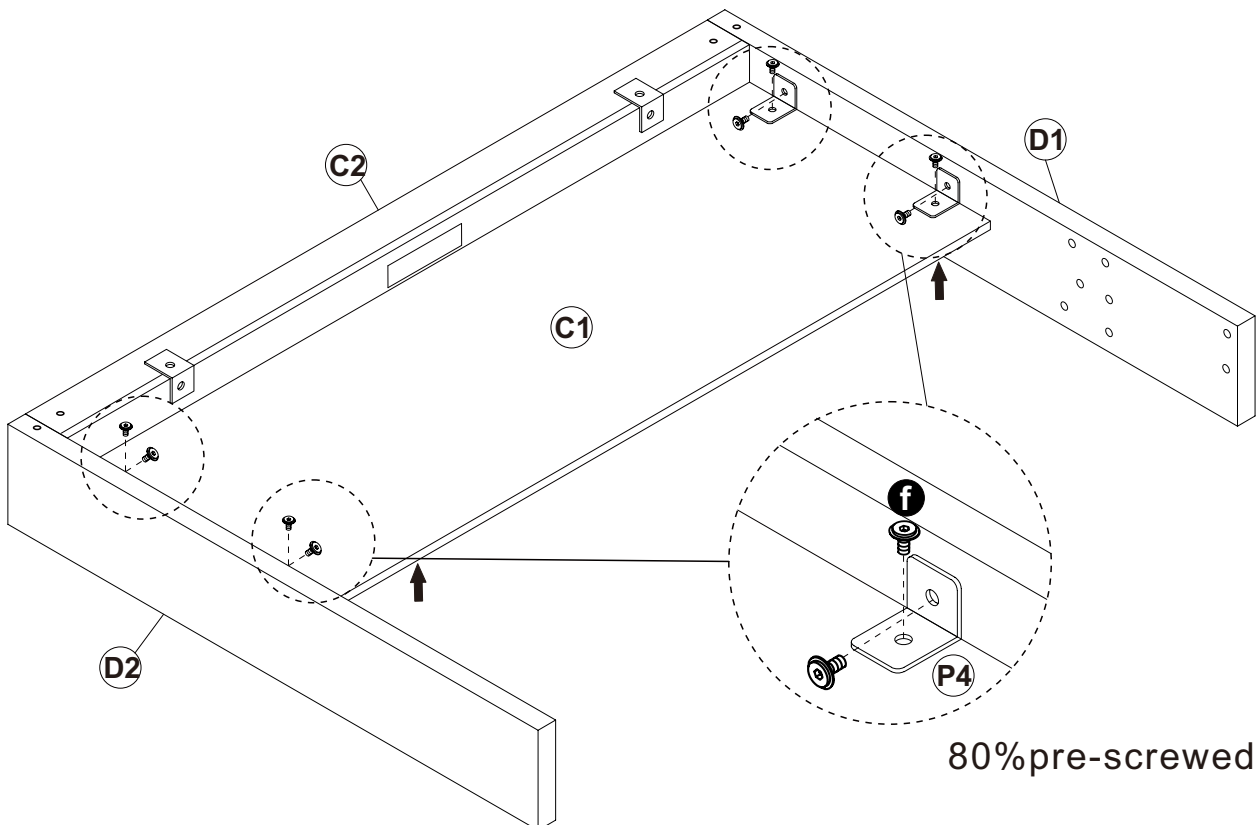


step2

f

M8*18

8PCS



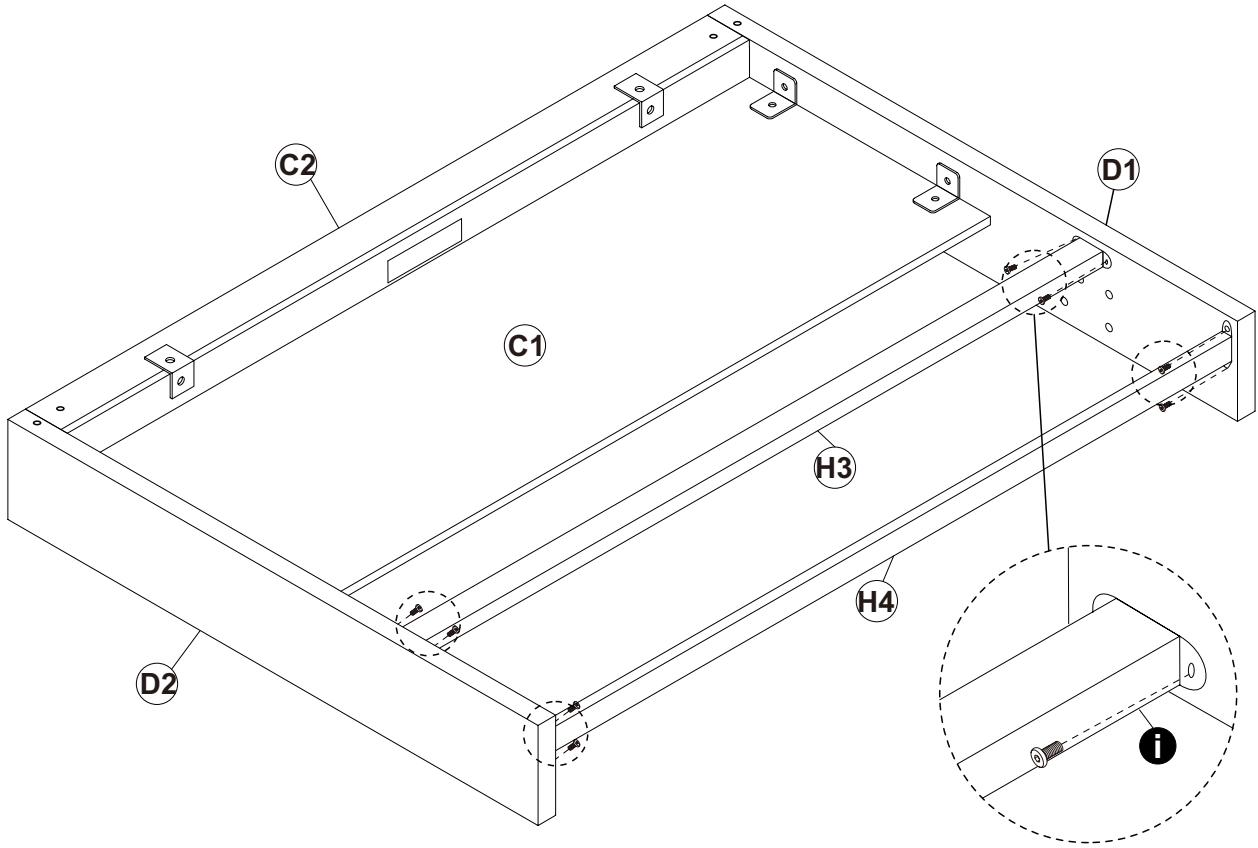
80% pre-screwed

step3

i

M8*18

8PCS

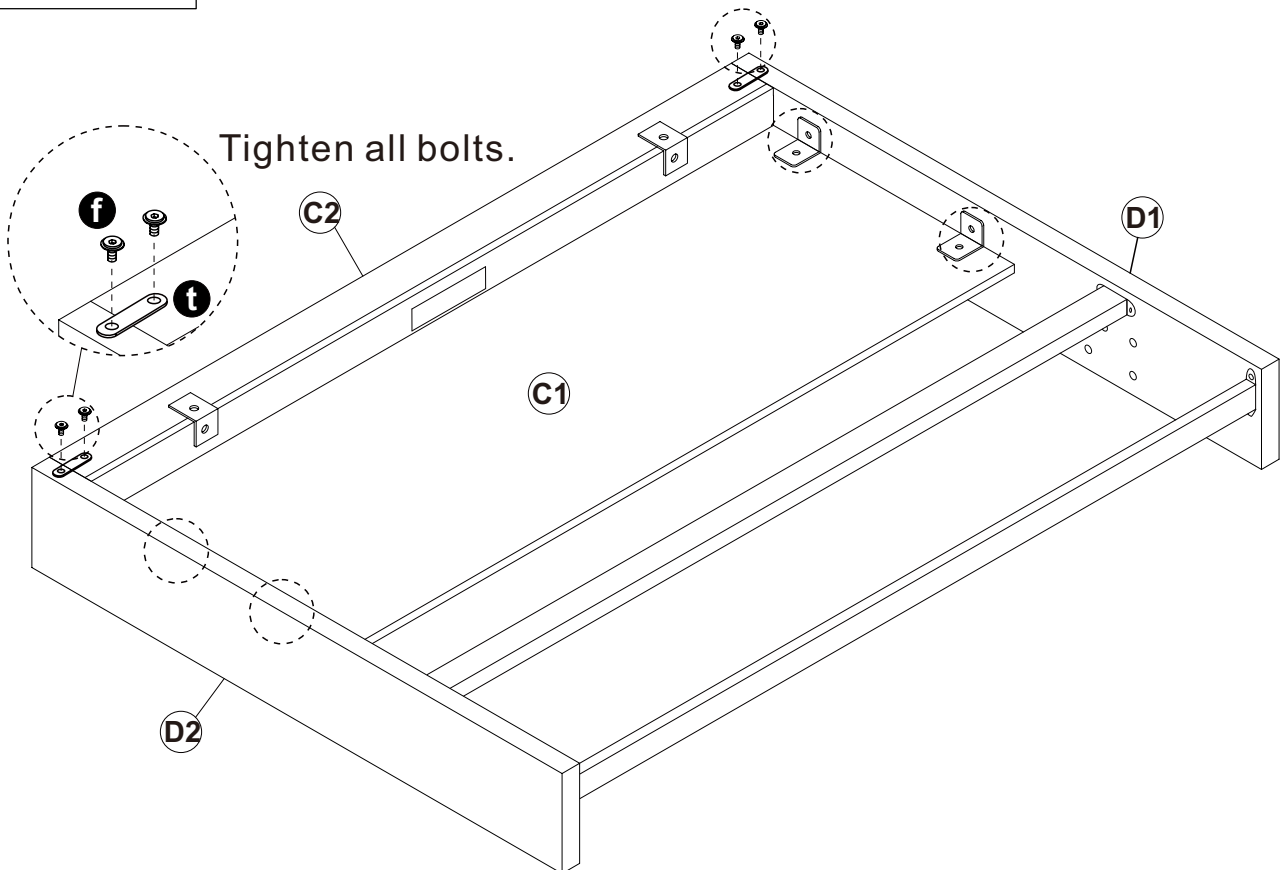


step4

f

M8*18

4PCS

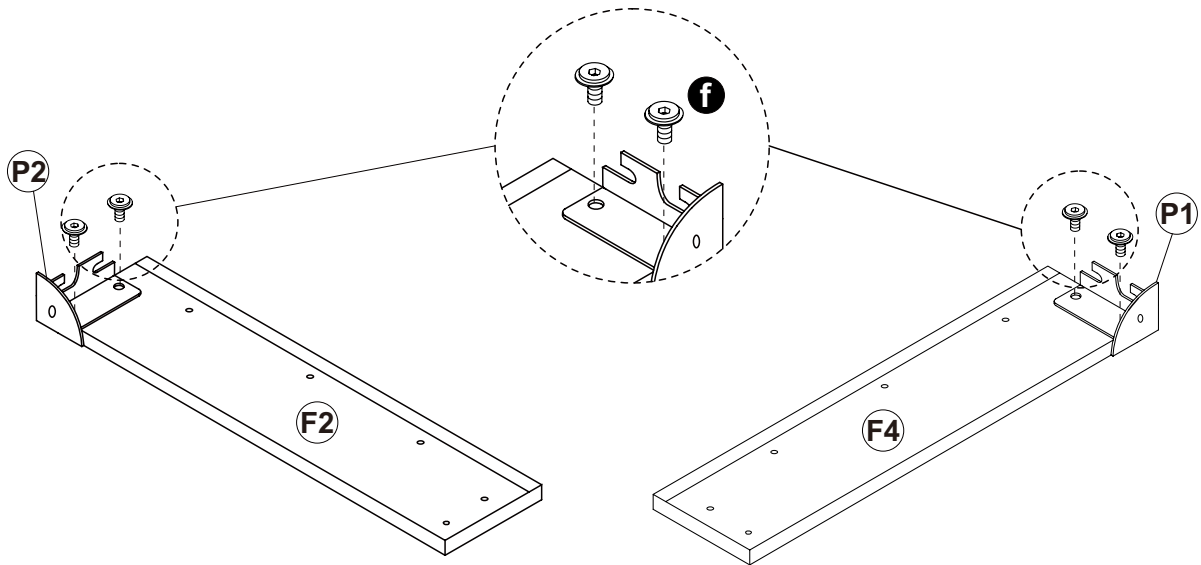


step5

f

M8*18

4PCS

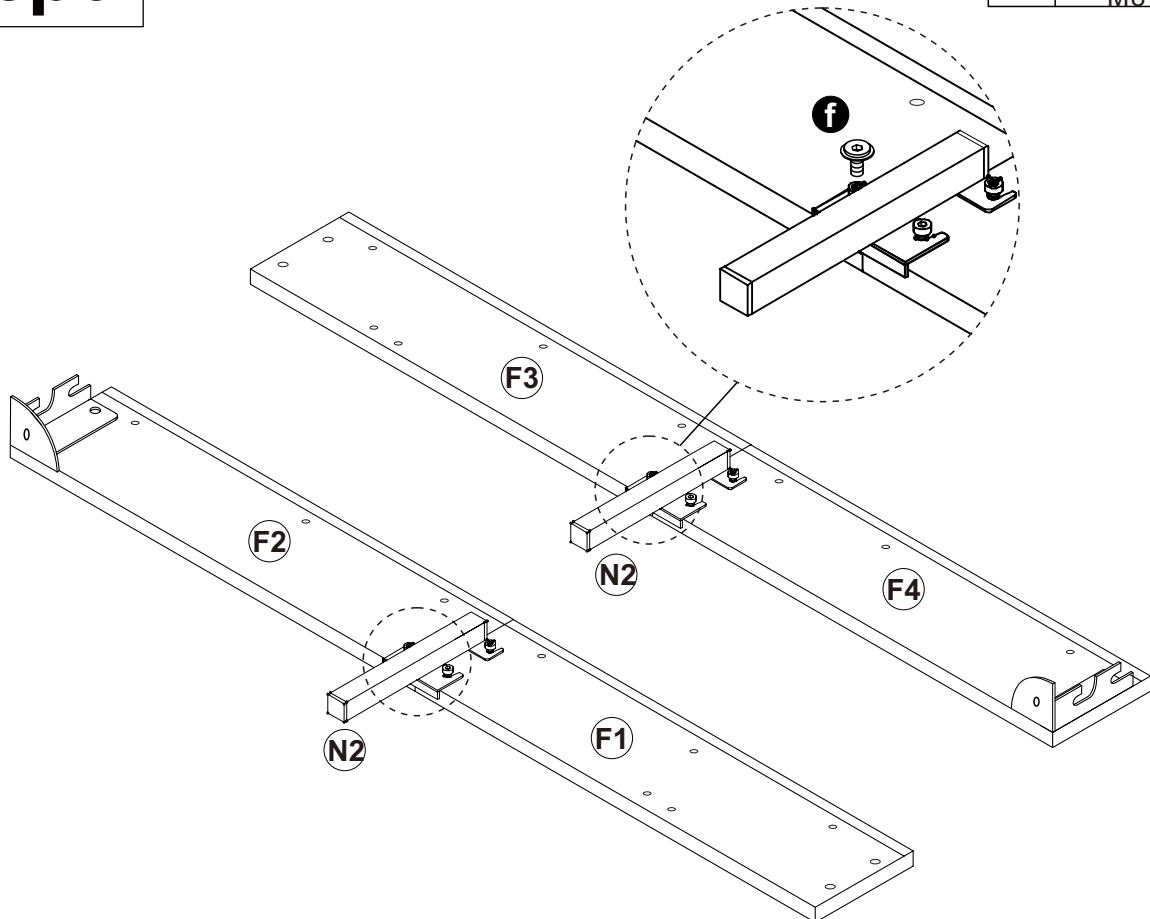


step6

f

M8*18

4PCS

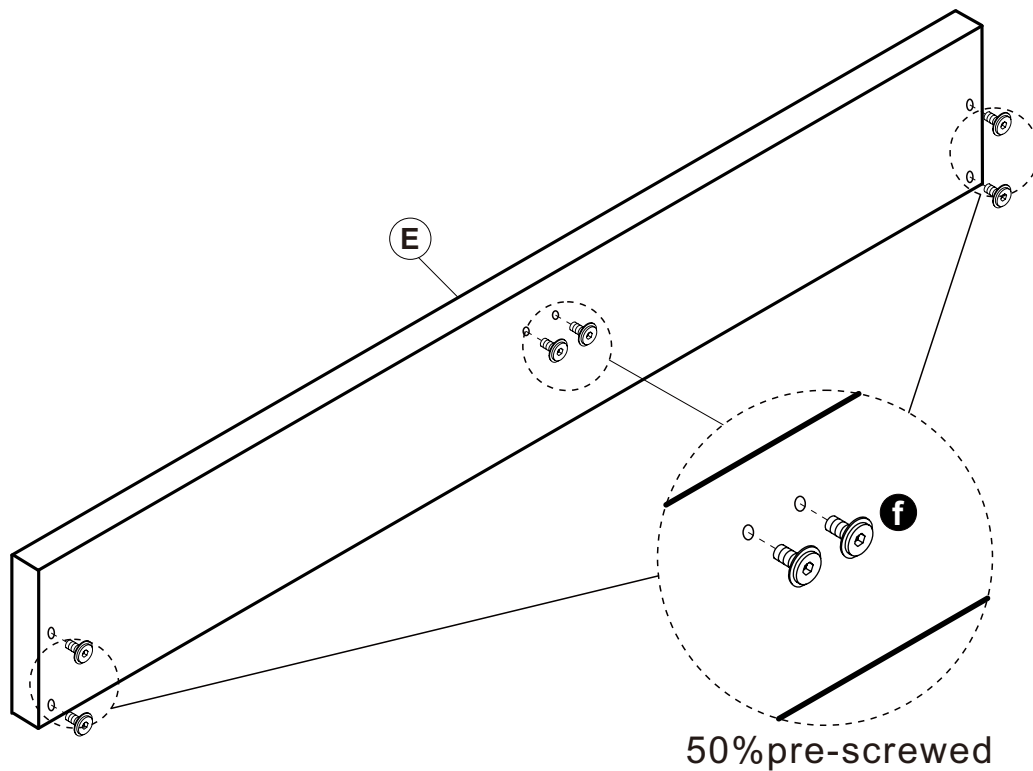


step7

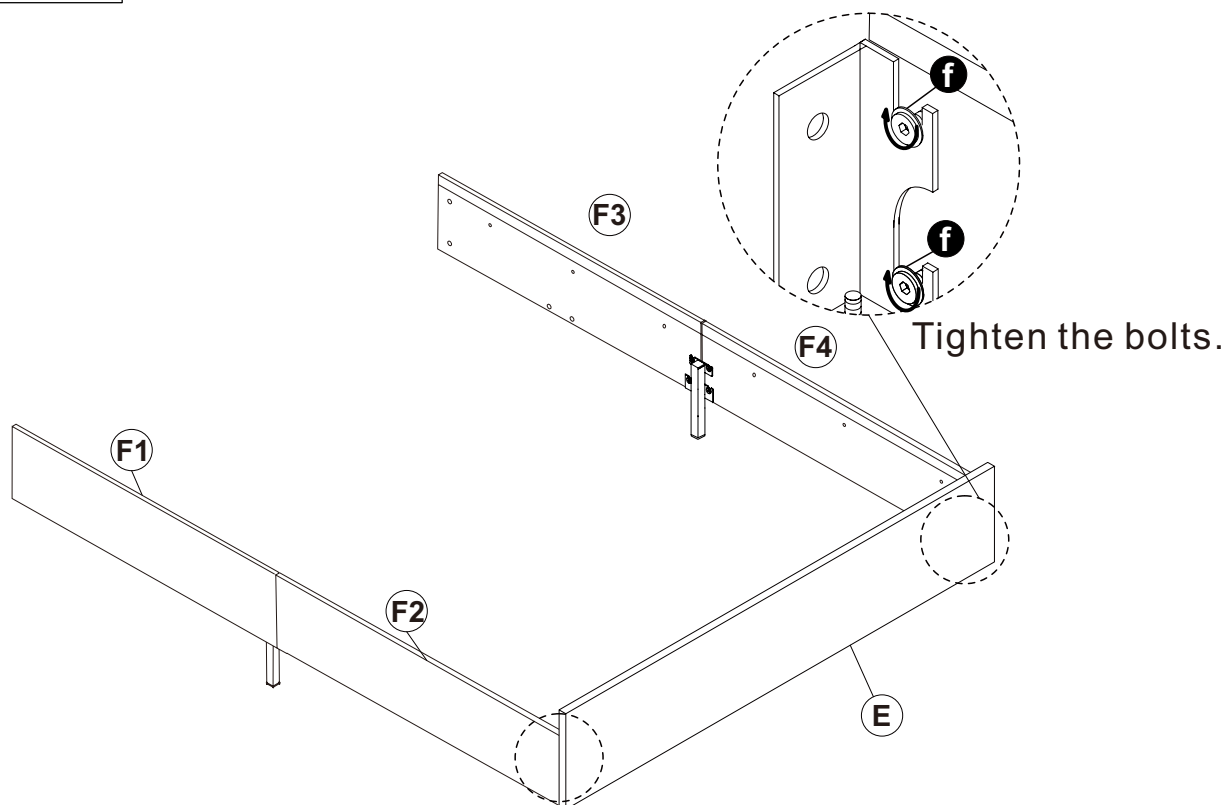
f

M8*18

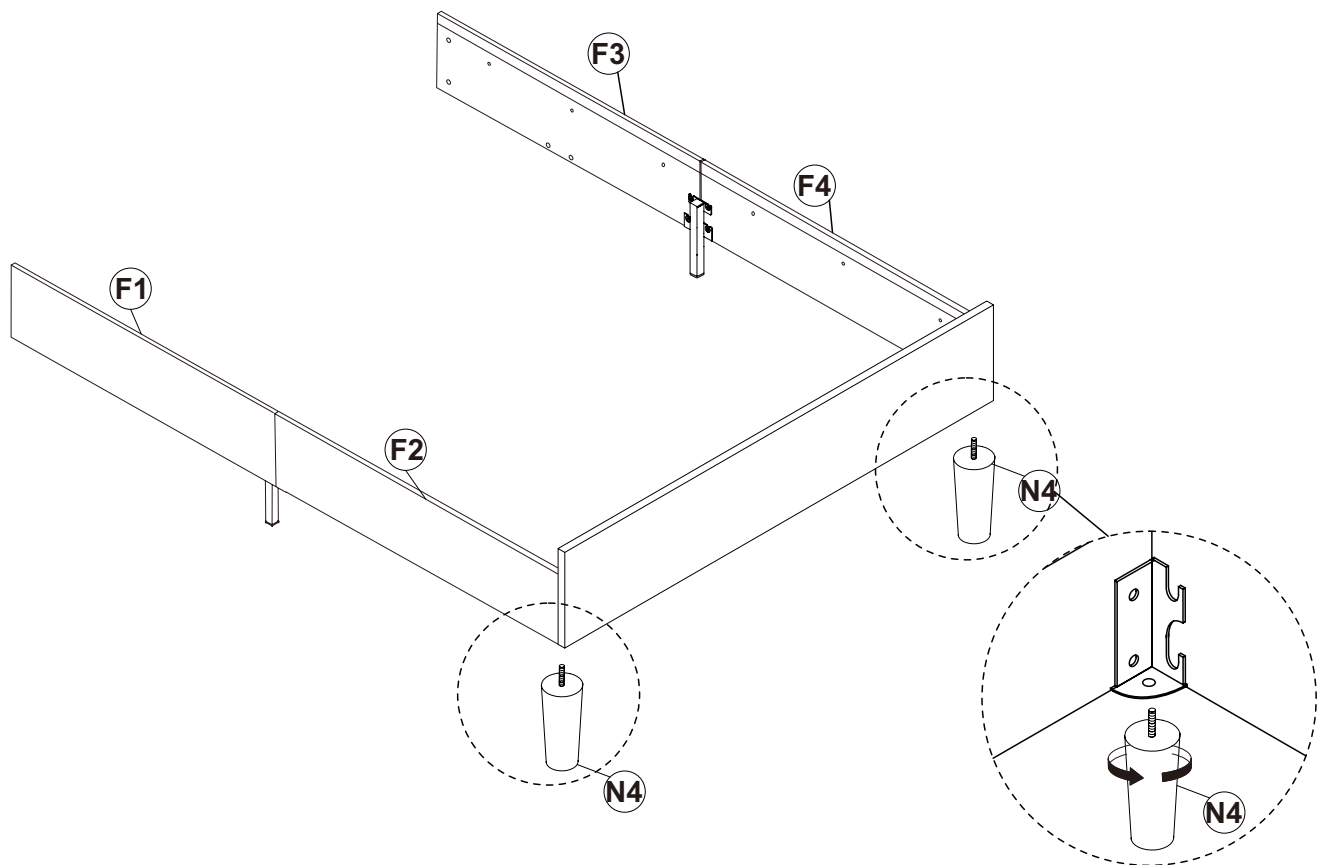
6PCS



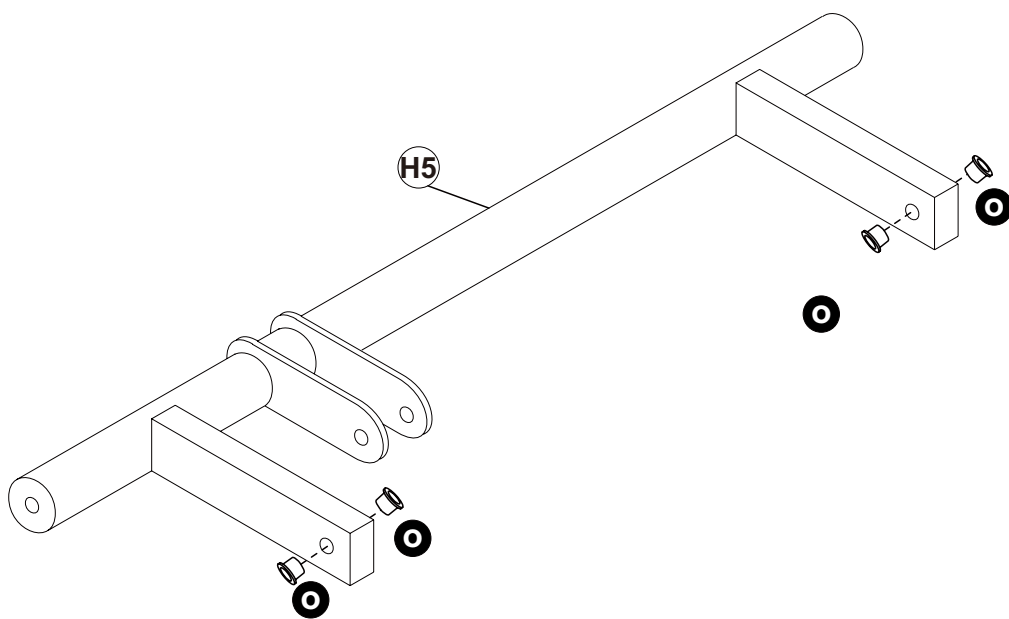
step8



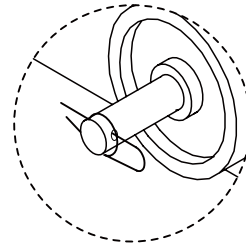
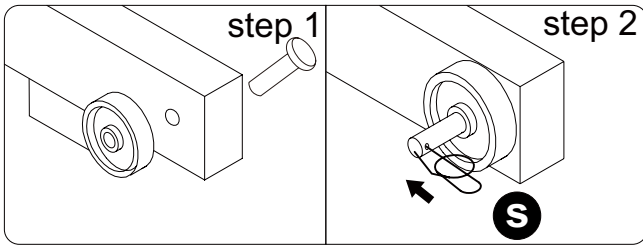
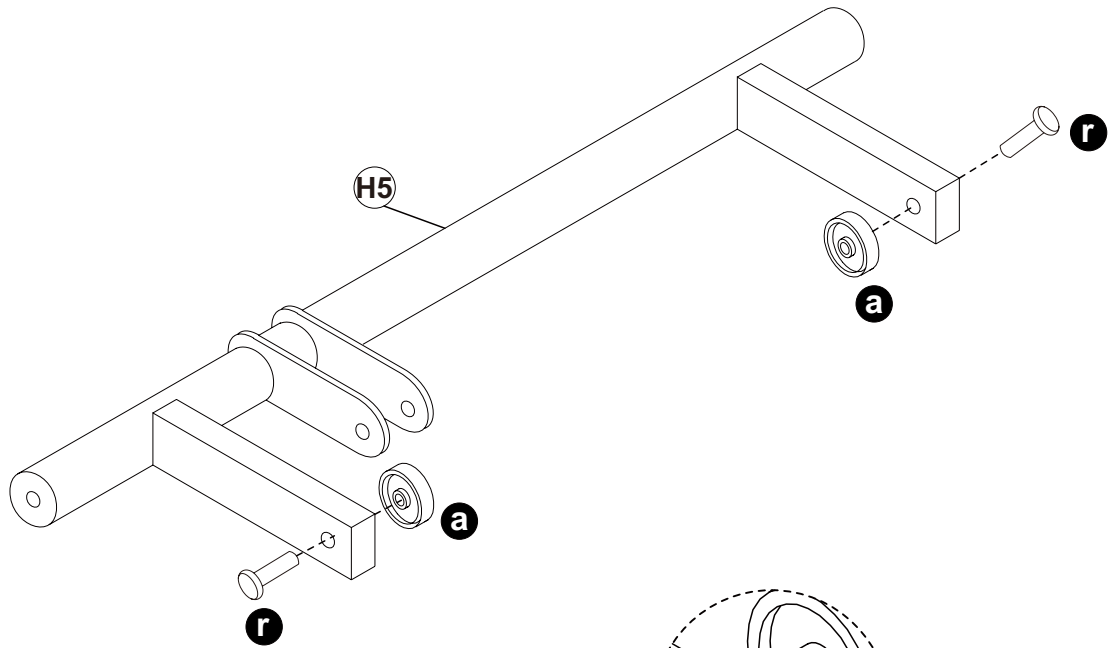
step9



step10

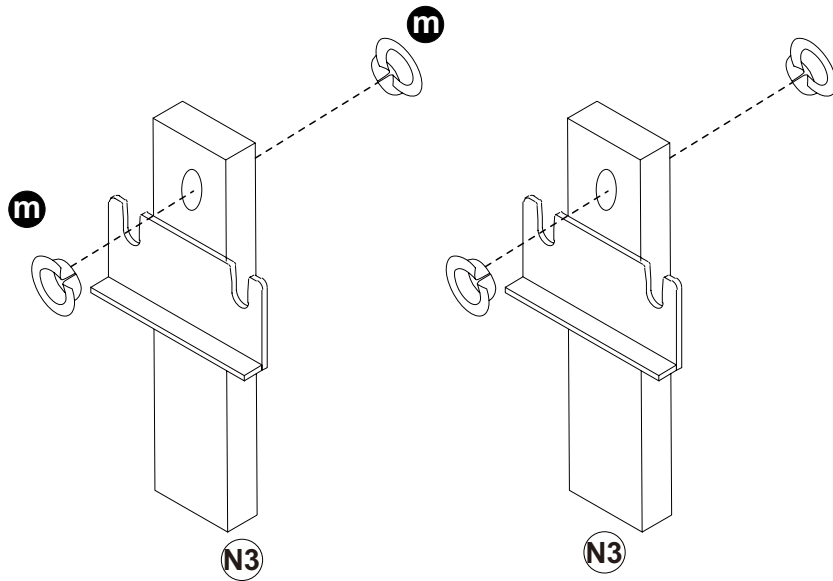


step11



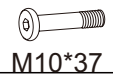
As shown on the graph, shows part S after assembling.

step12

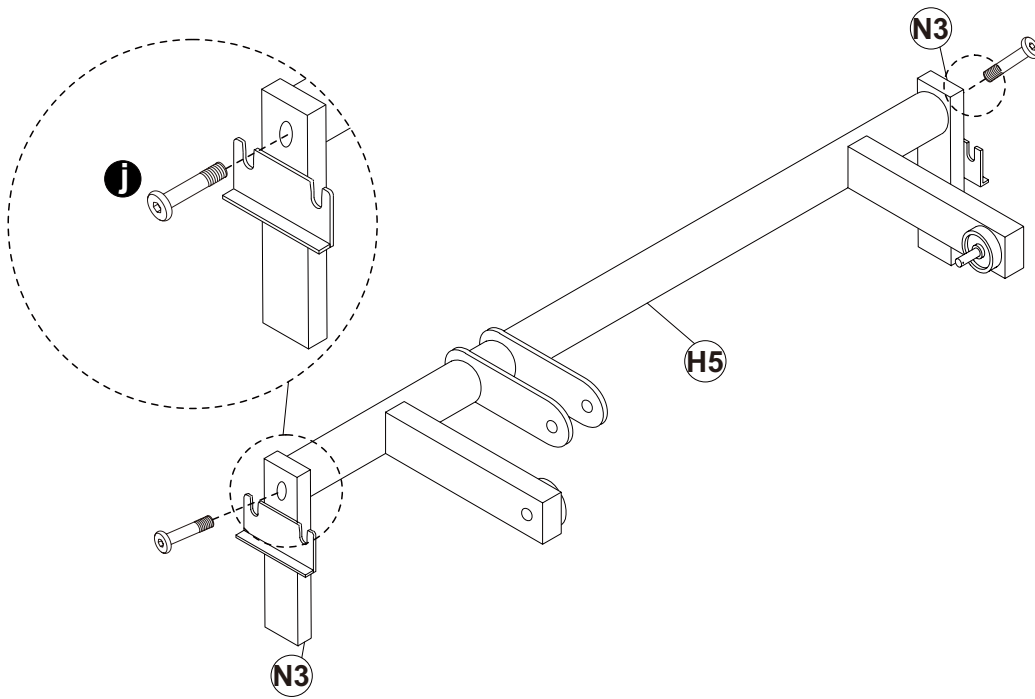


step13

j



2PCS

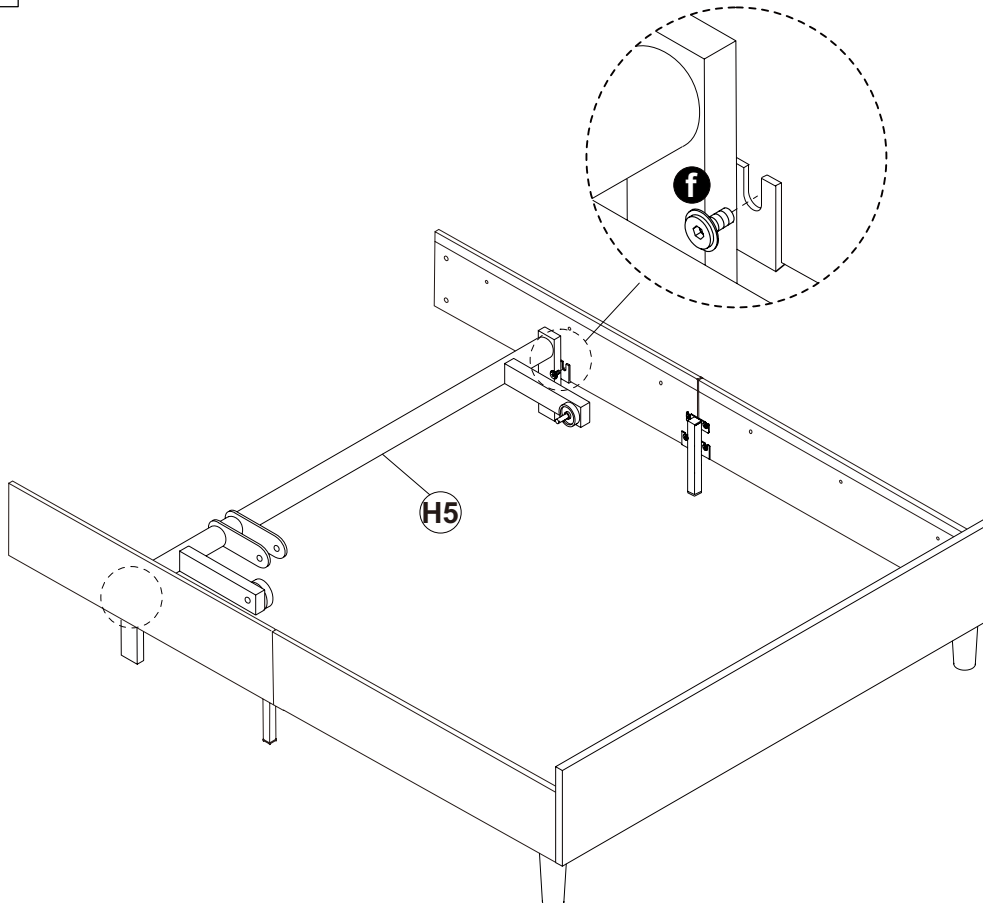


step14




f

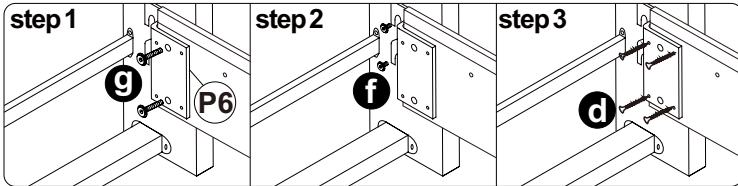
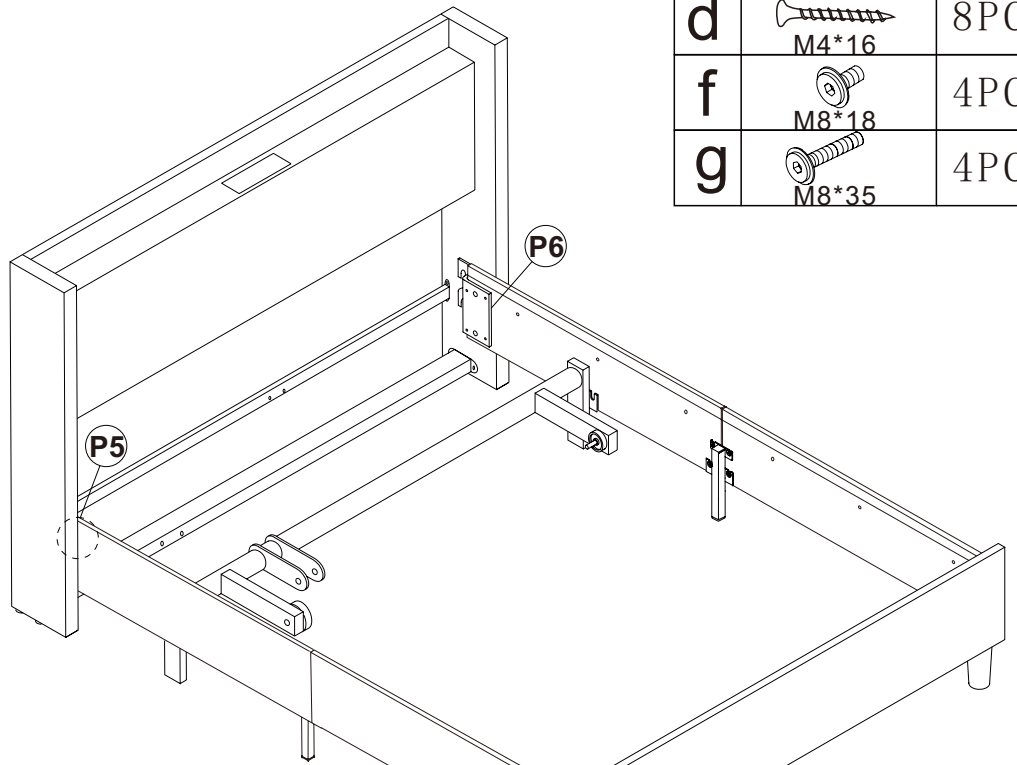


4PCS



step15

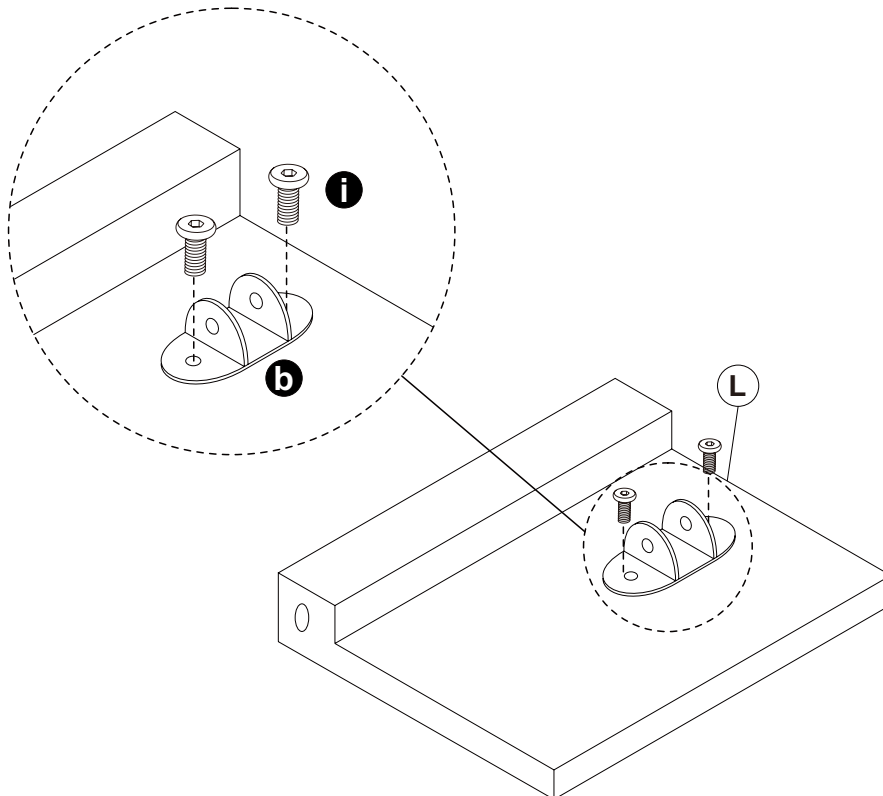
d	 M4*16	8PCS
f	 M8*18	4PCS
g	 M8*35	4PCS



50%pre-screwed Tighten all bolts.

step16

i	 M8*18	2PCS
---	--	------

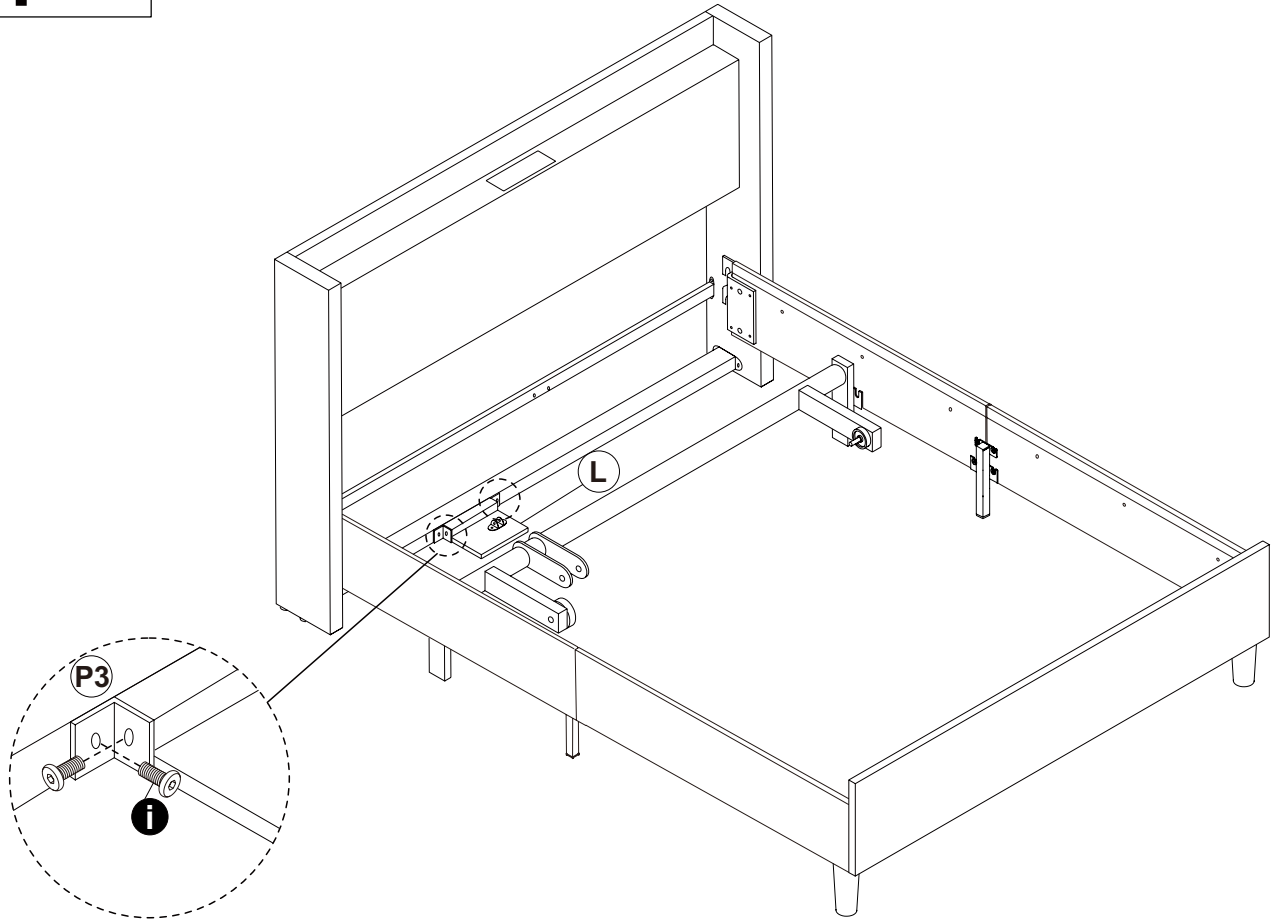


step17

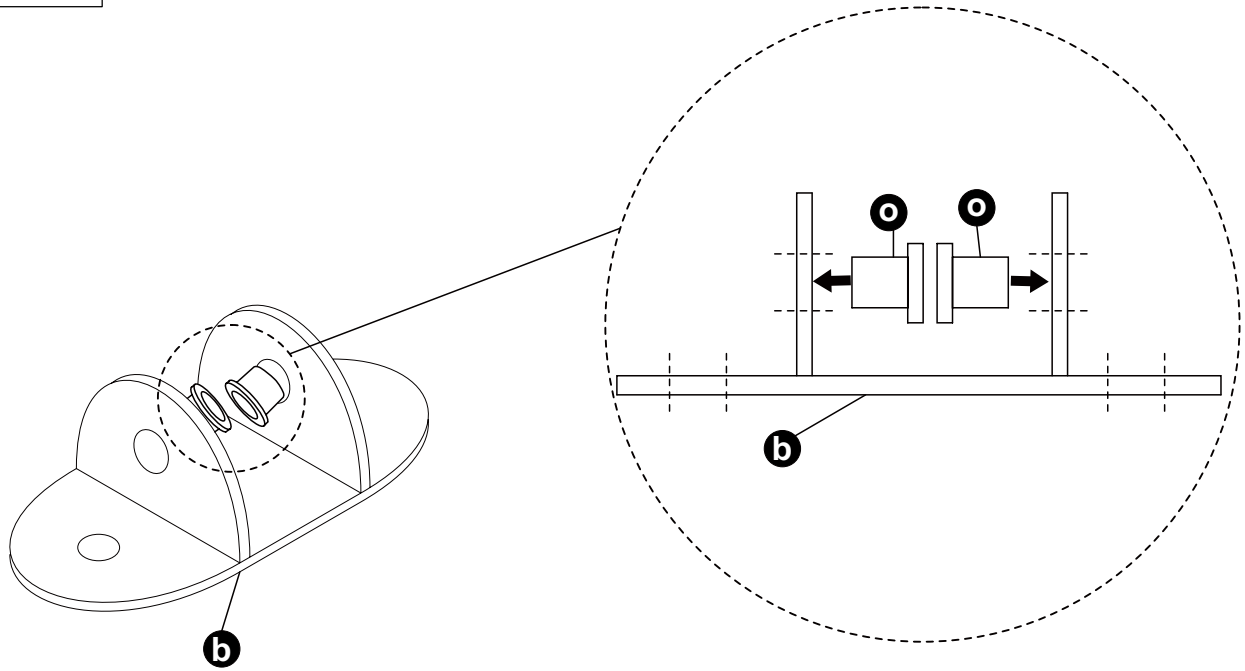
i

M8*18

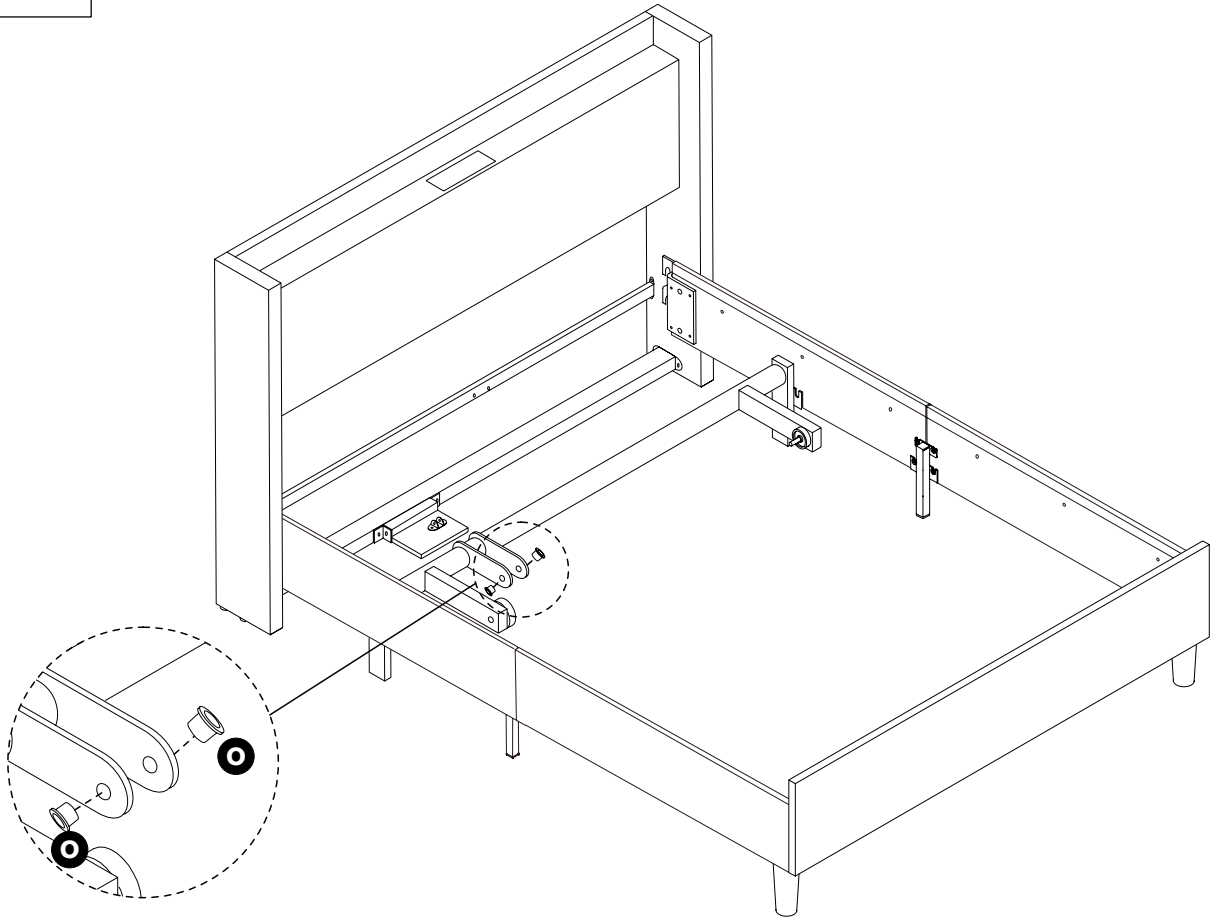
4PCS



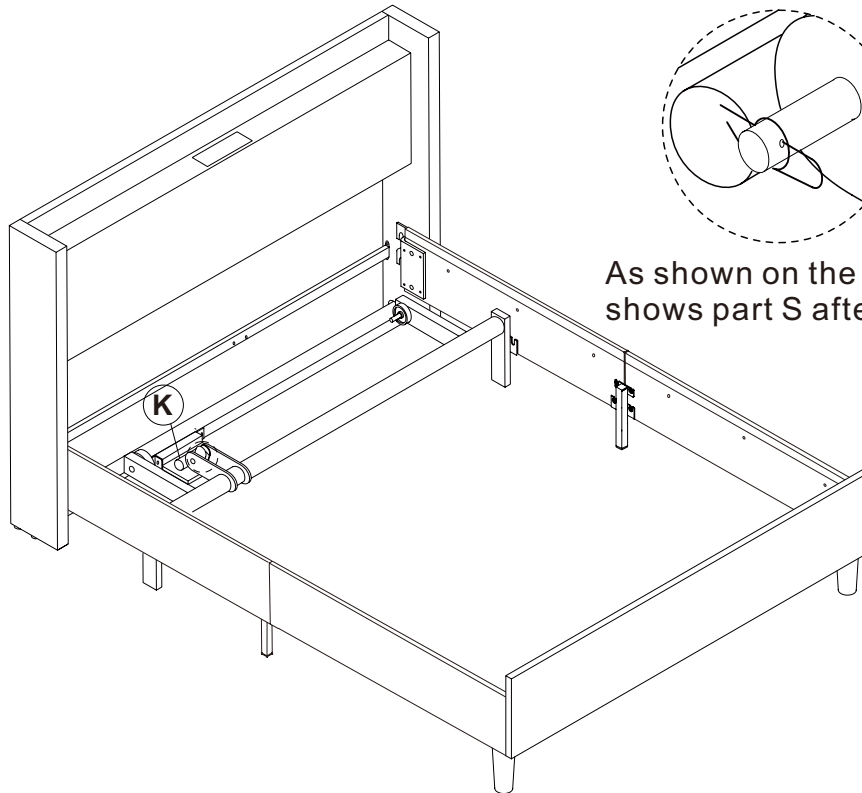
step18



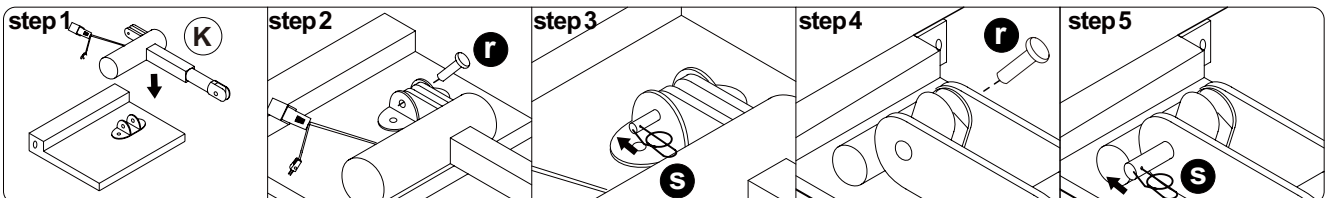
step19



step20

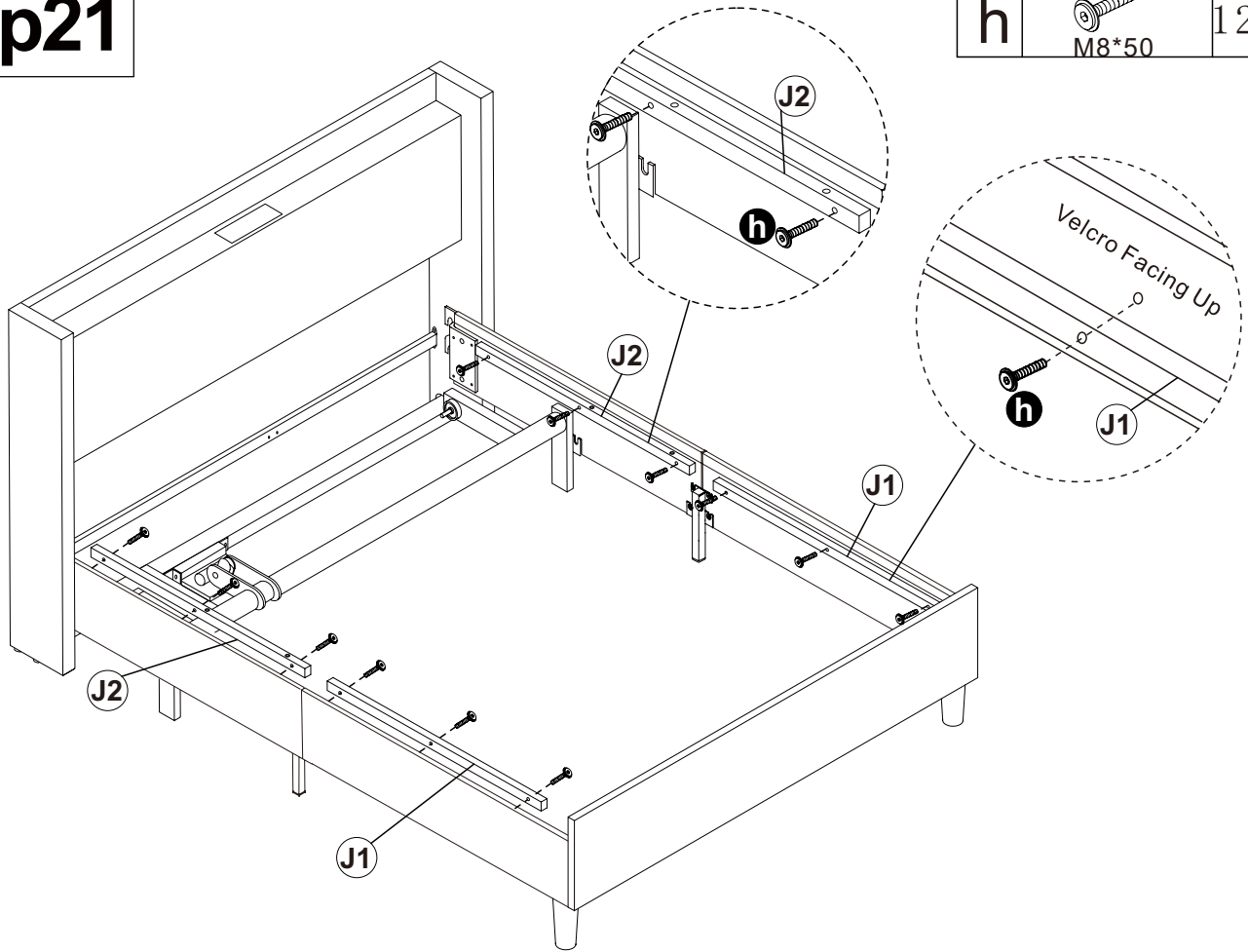


As shown on the graph,
shows part S after assembling.



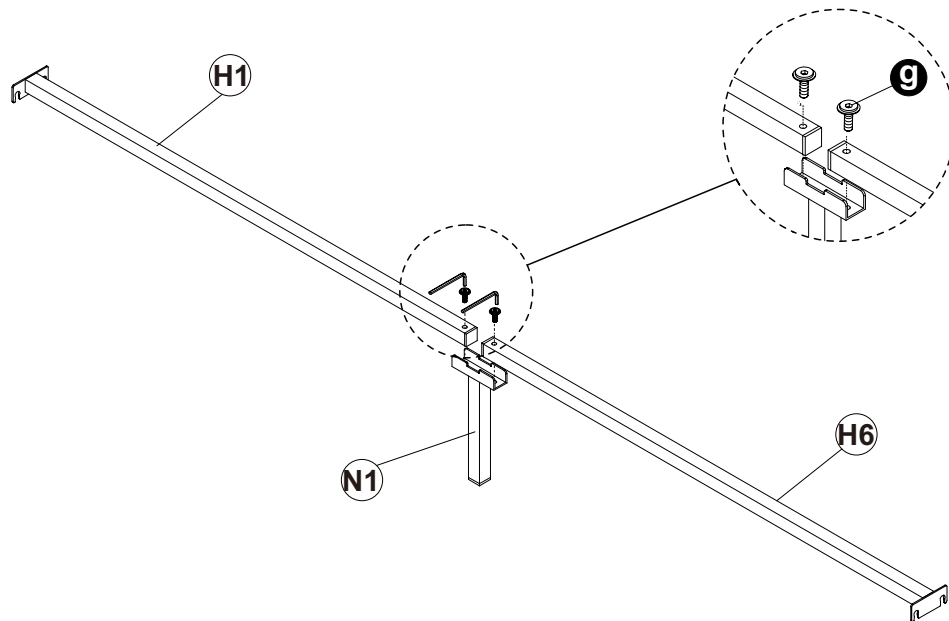
step21

h	 M8*50	12PCS
----------	---	-------



step22

g	 M8*35	2PCS
----------	--	------

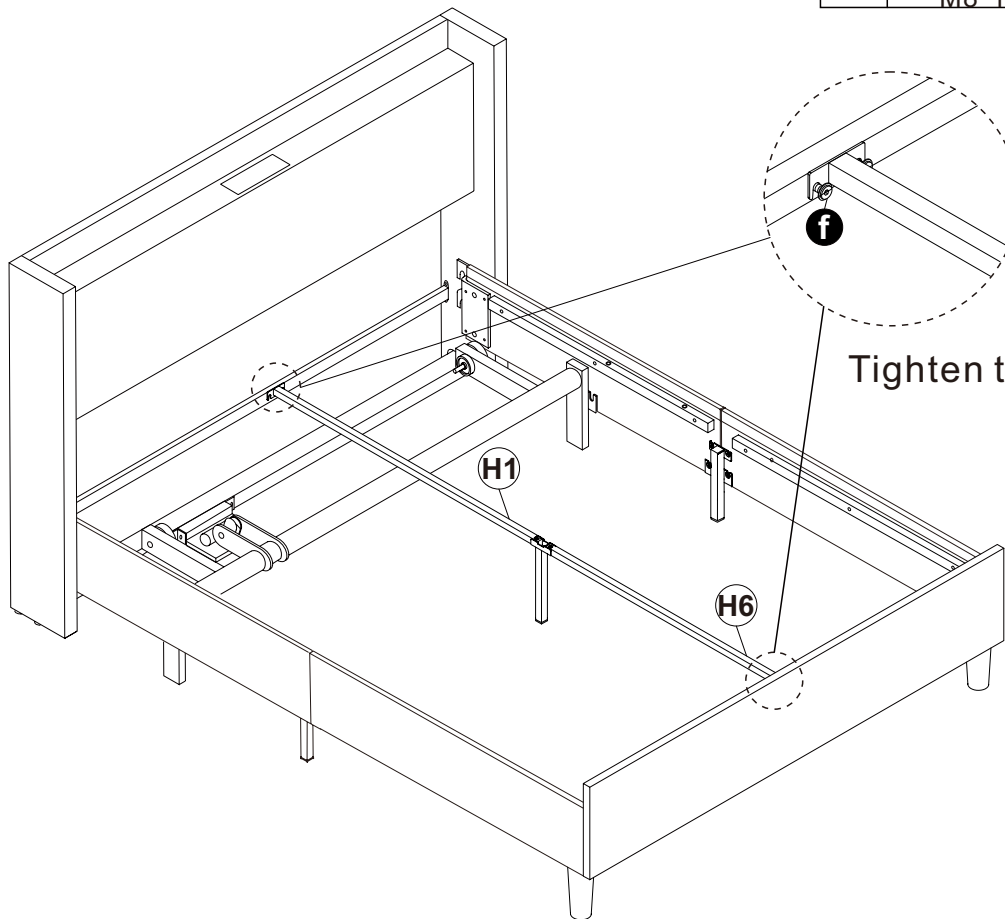


step23

f

M8*18

2PCS

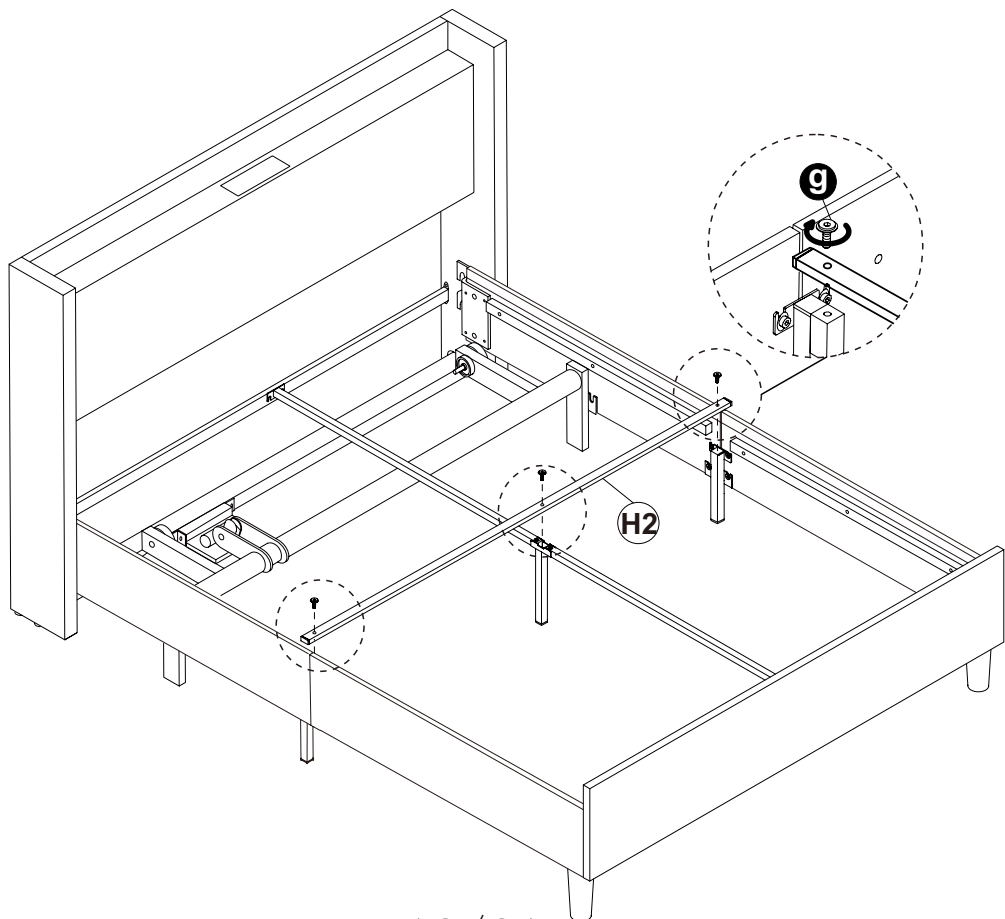


step24

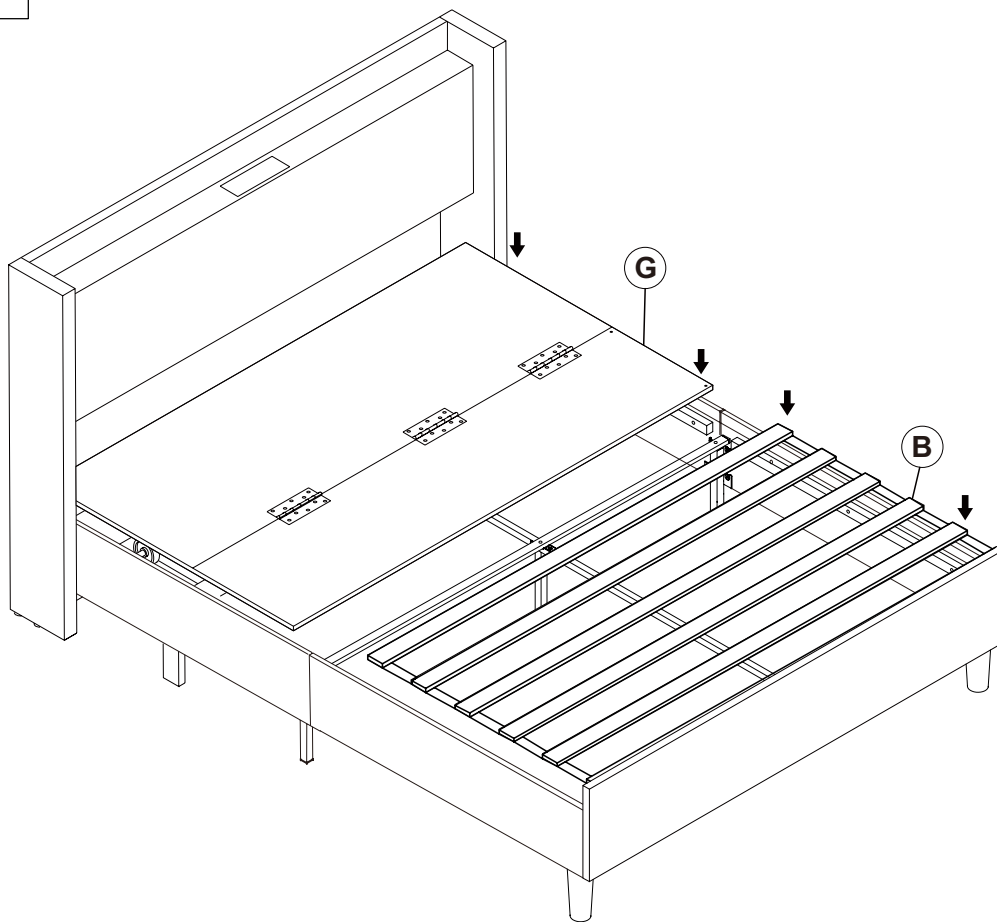
g

M8*35

3PCS



step25

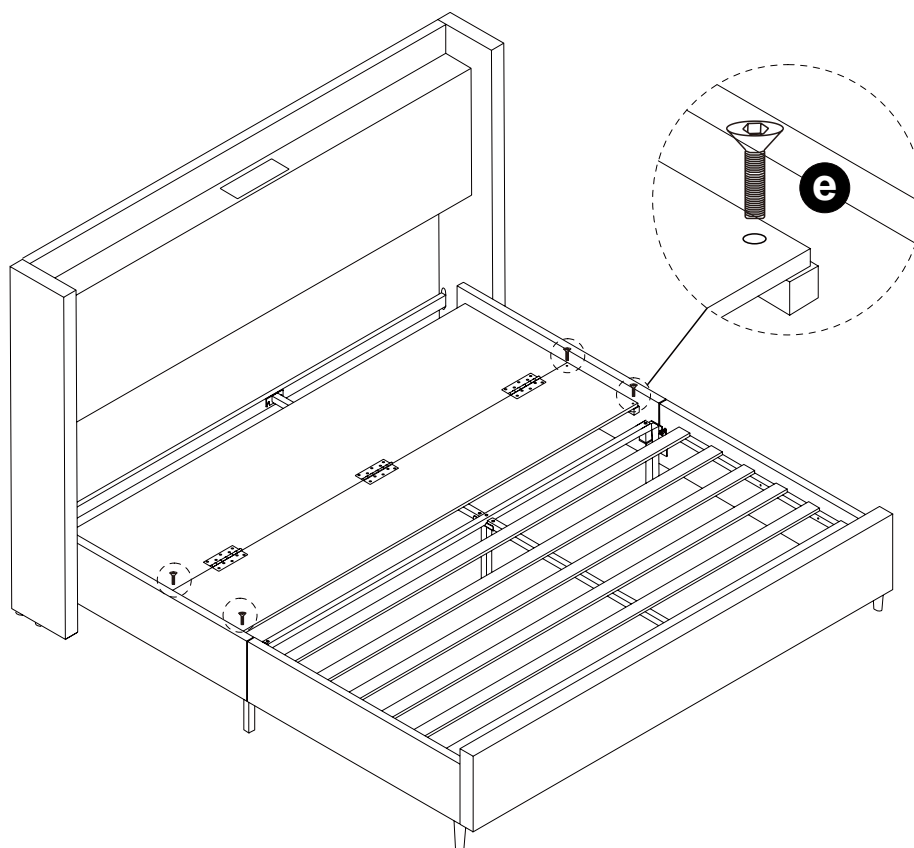


step26

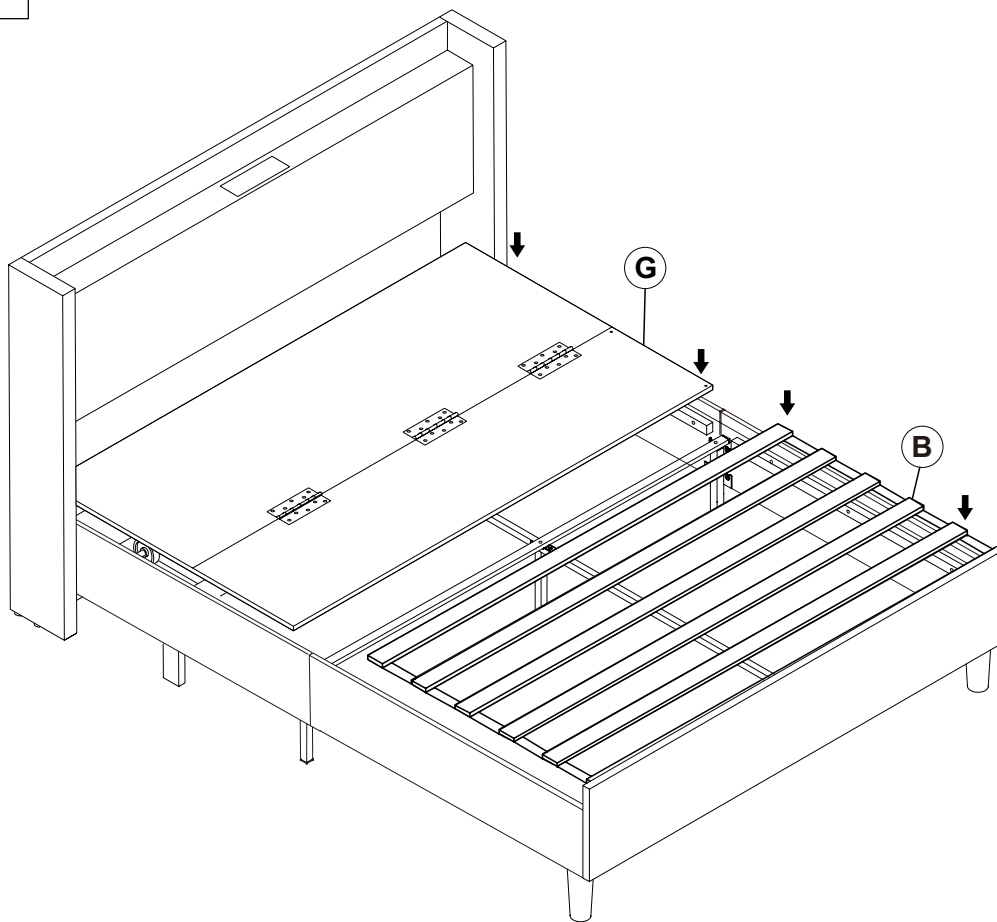
e

M8*40

4PCS



step25

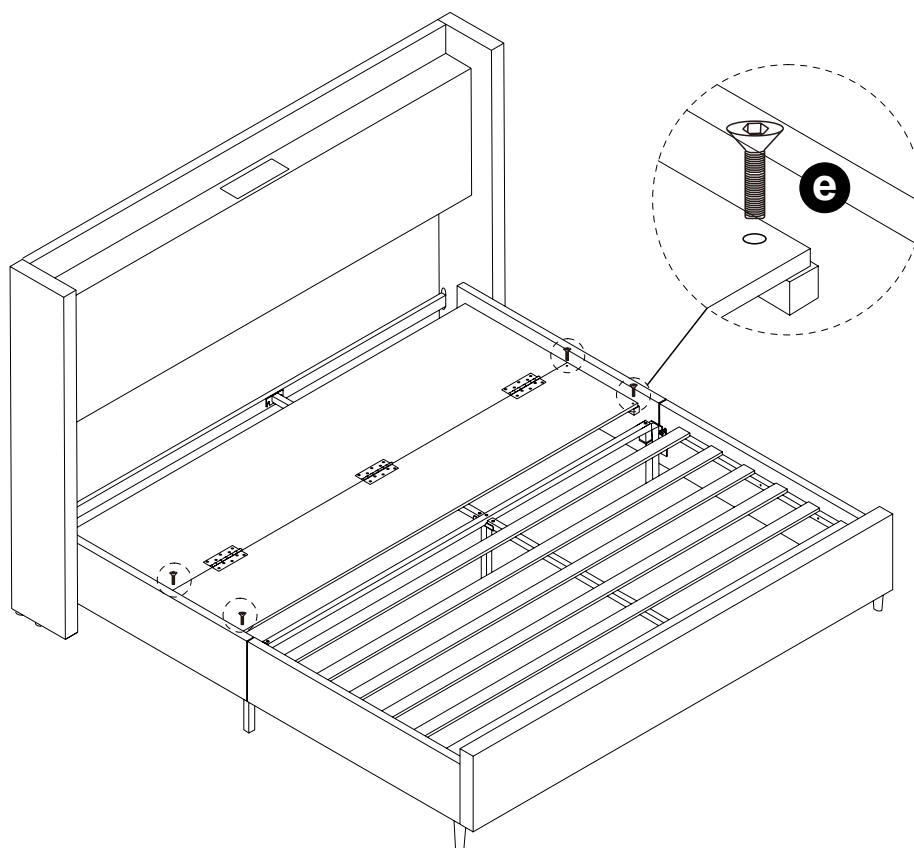


step26

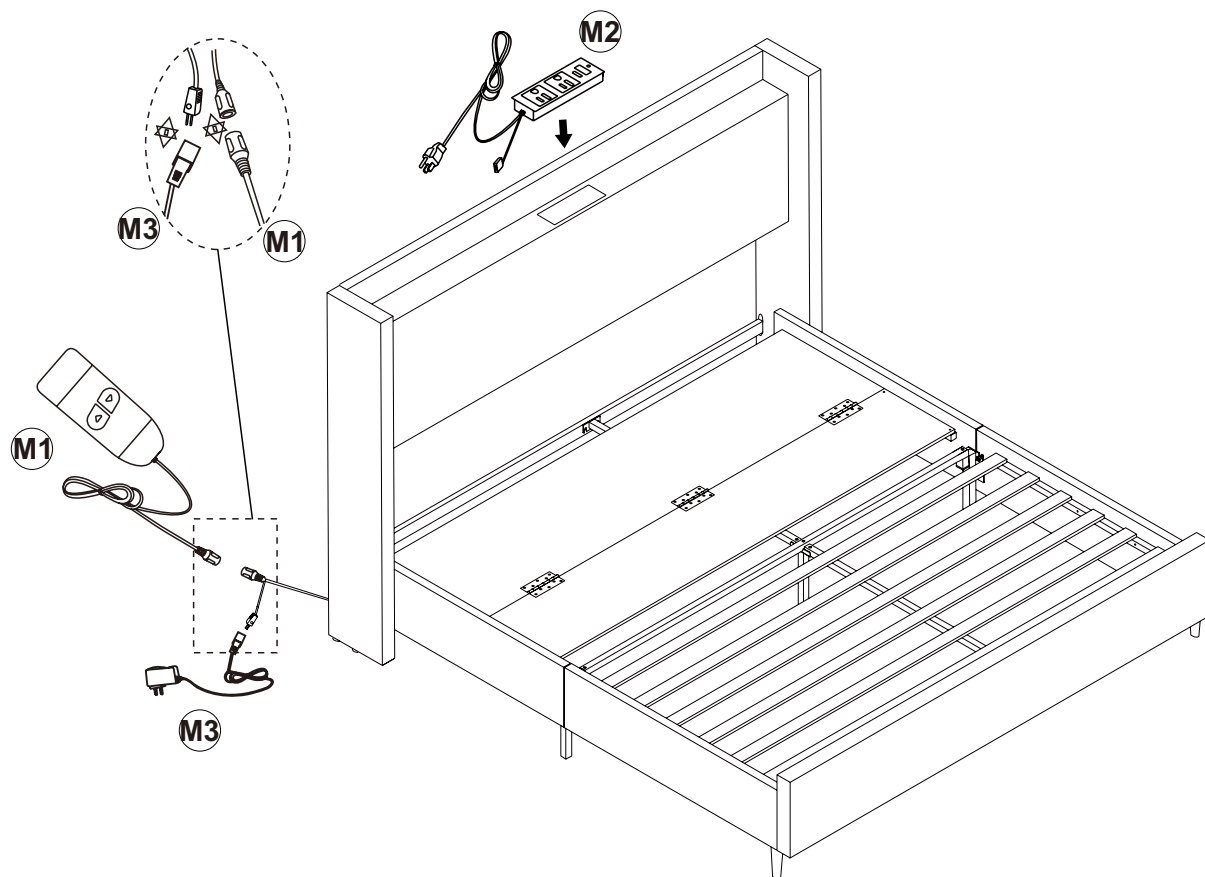
e

M8*40

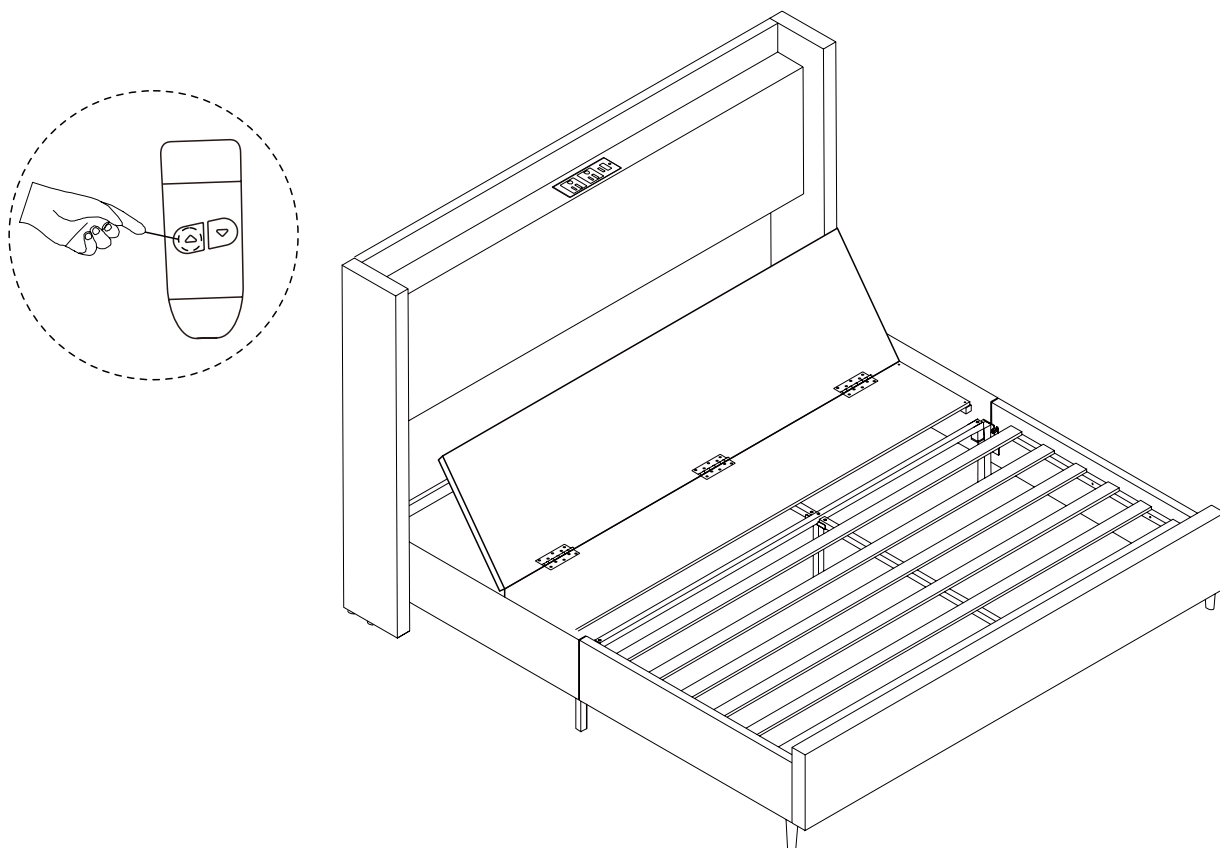
4PCS



step27



step28



step29

