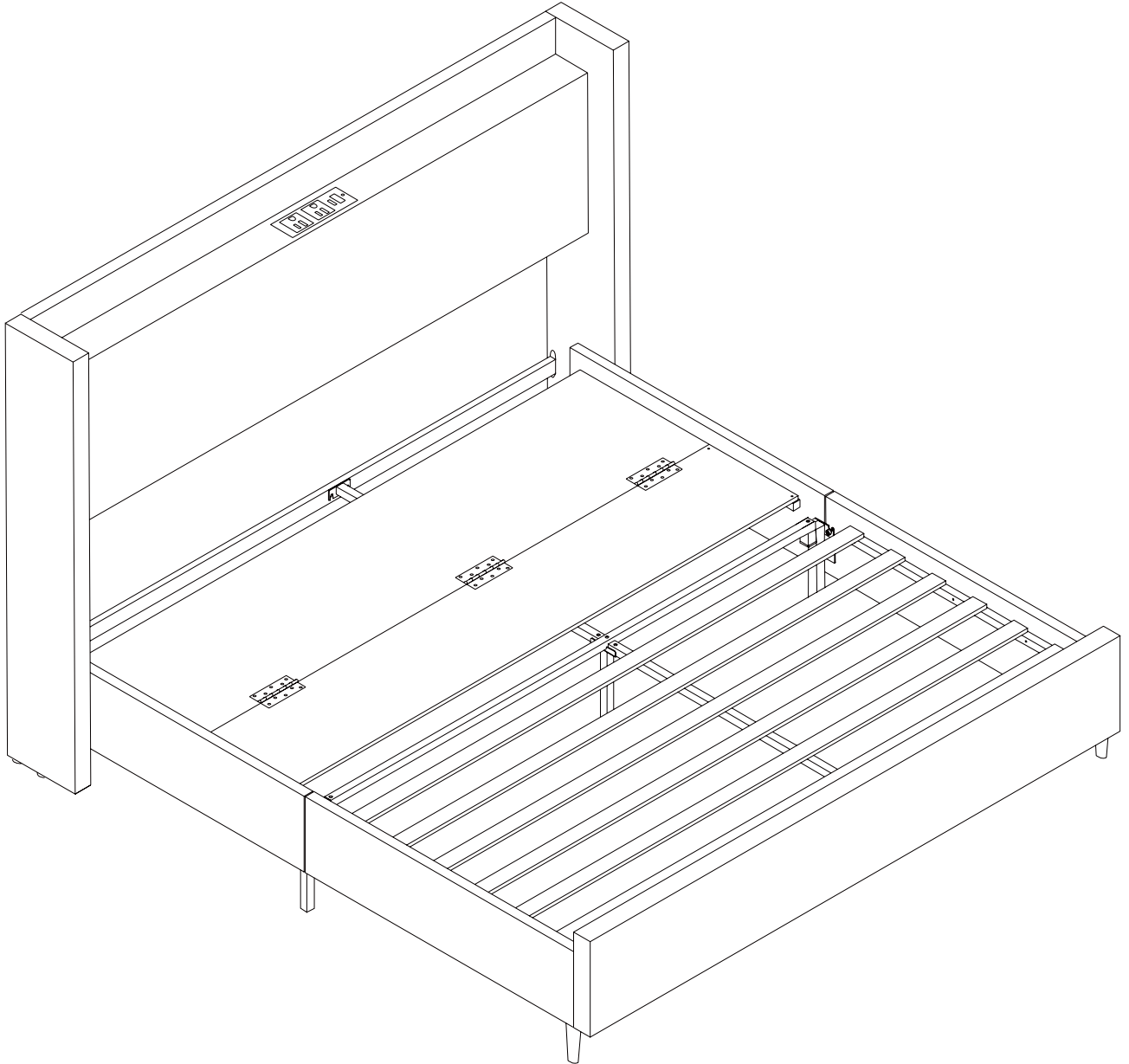


Assembly Instruction

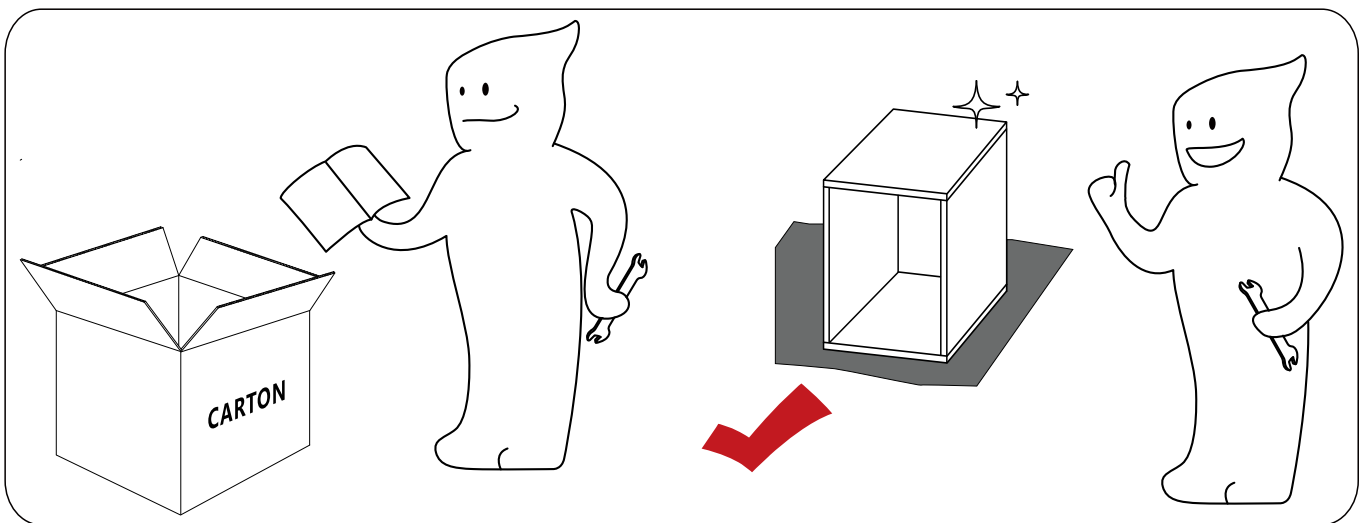
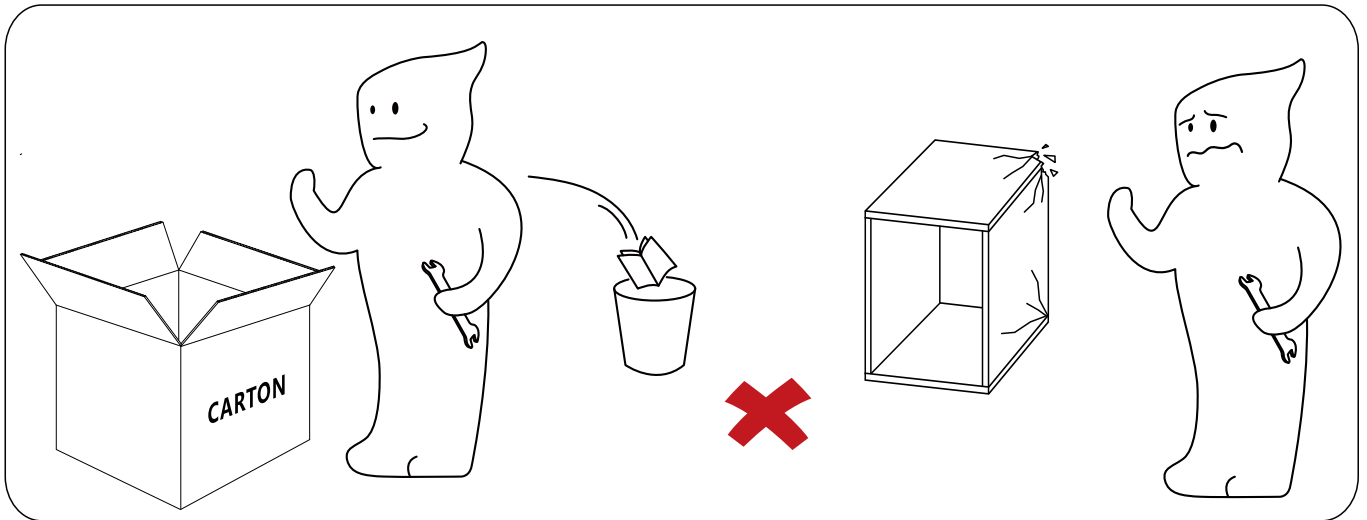


Please check that you have all the parts listed before you start assembling,if you do find that something is missing,do not continue assembly,please contact us immediately.

NOTE:Please do not completely tighten all the hardware until the entire assembly is complete!

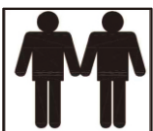
! IMPORTANT

Please follow the instruction manuals and use a pad to protect the product during your assembly.

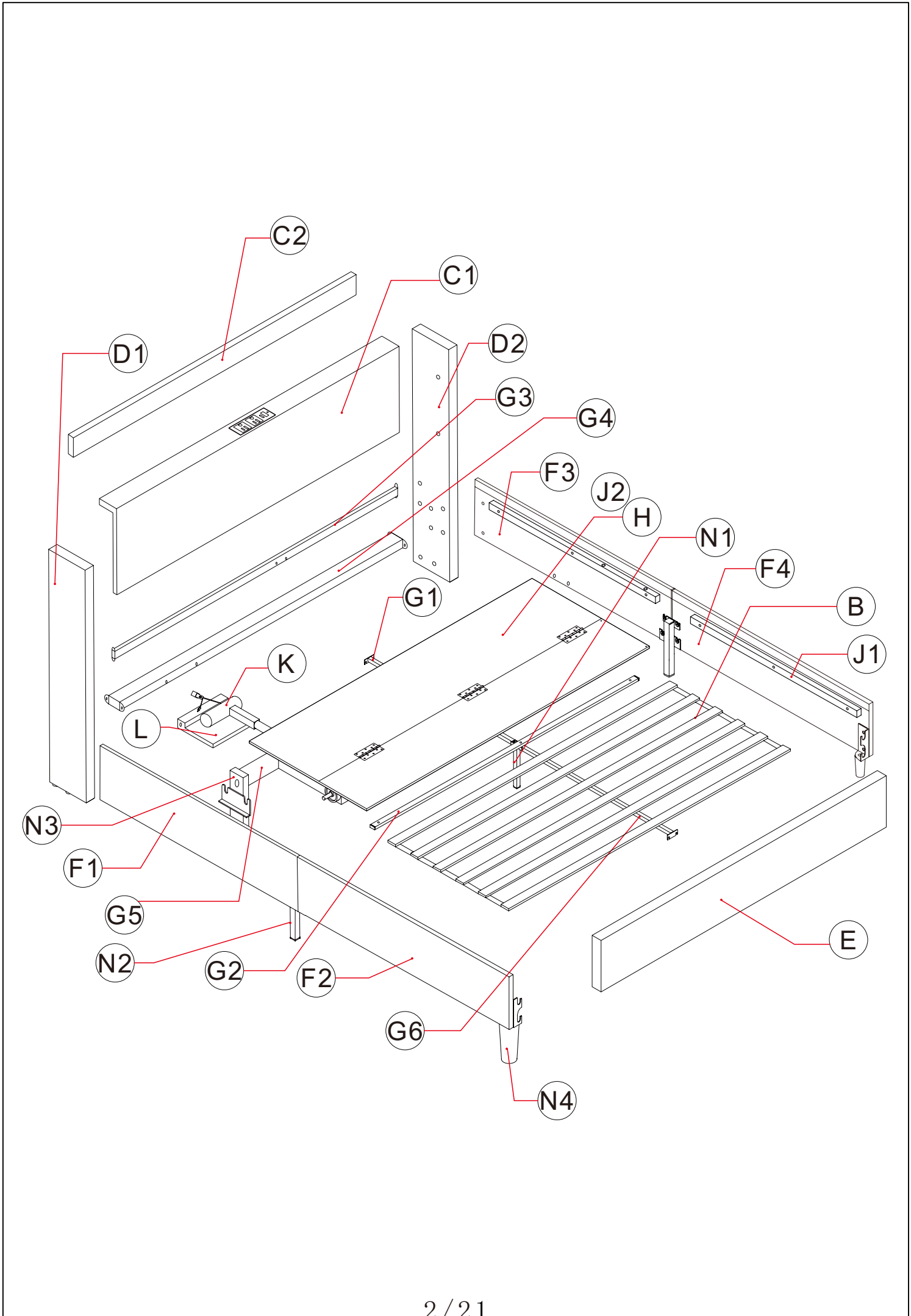


Note:

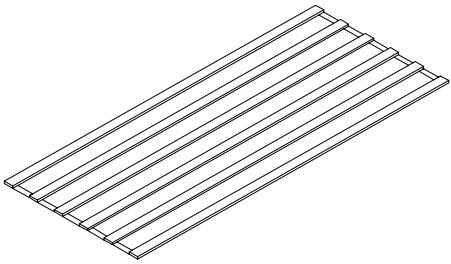
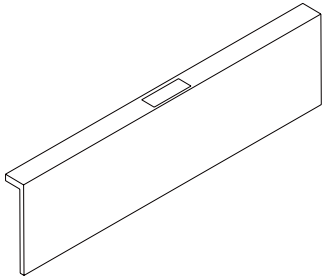
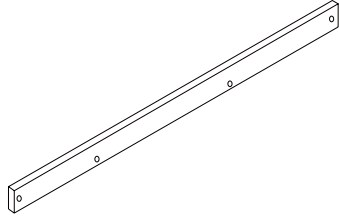
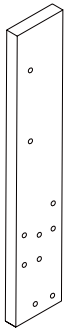
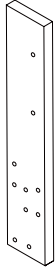
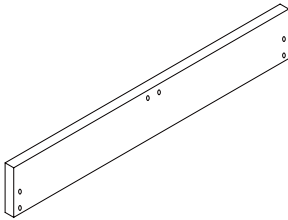
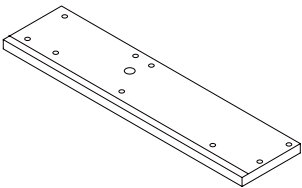
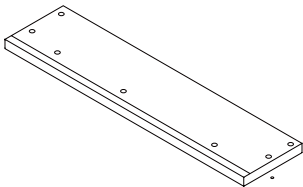
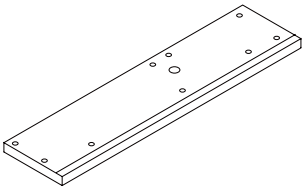
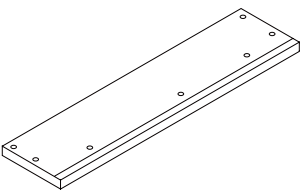
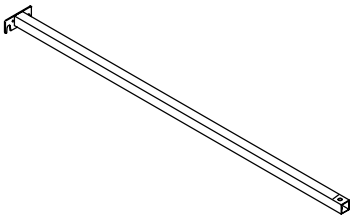
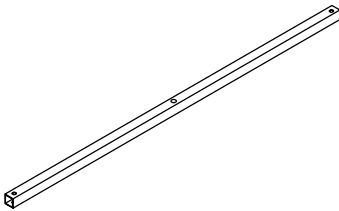
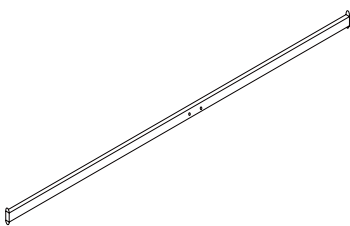
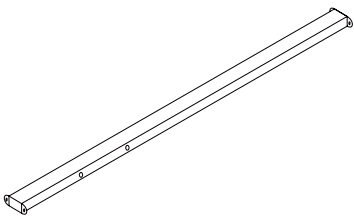
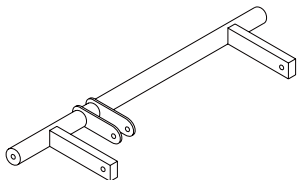
1. Should be assembled on flat ground to keep balance.
2. Before completing the installation, do not tighten the screws.



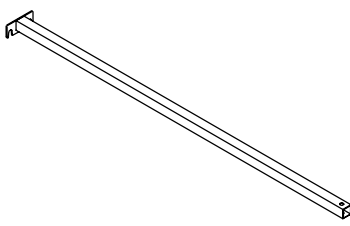
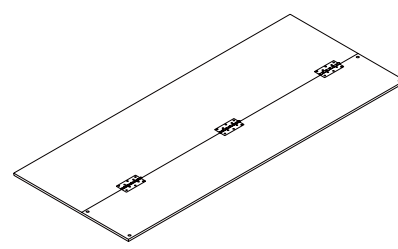
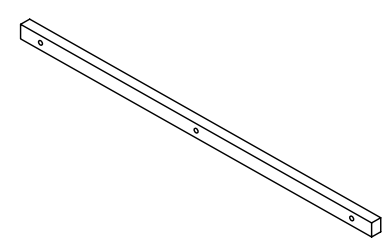
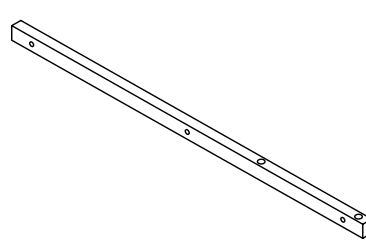
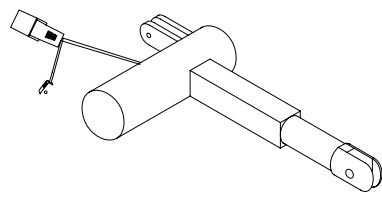
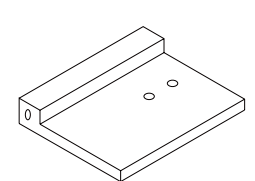
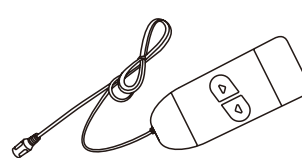
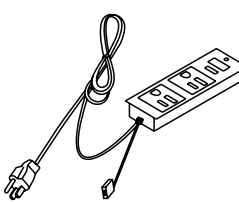
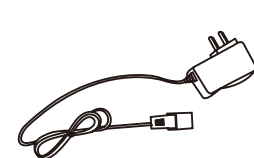
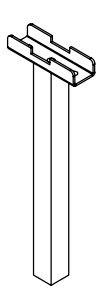
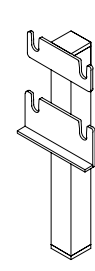
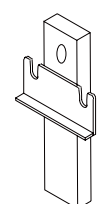
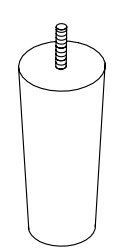
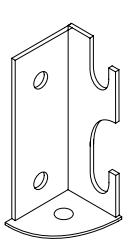
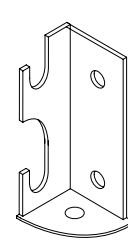
For easier and better assembly, **2** or more adults are required.



BED FRAME PARTS LIST

B  1PCS Slat	C1  1PC Top headboard	C2  1PC Top headboard
D1  1PC Left Leg	D2  1PC Right Leg	E  1PC Footboard
F1  1PC side rail	F2  1PC side rail	F3  1PC side rail
F4  1PC side rail	G1  1PC Middle front support bar	G2  1PC Cross bar
G3  1PC Upper Headboard bar	G4  1PC Lower Headboard bar	G5  1PC Drive rod

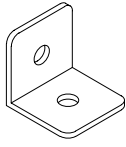
BED FRAME PARTS LIST

G6  Middle behind support bar	H  Front support panel	J1  Side bar
J2  Side bar	K  Gas-lifter	L  Mounting base
M1  Controllers	M2  Electric outlet	M3  Power cable
N1  Middle support leg	N2  Bed side support leg	N3  Bed side support leg
N4  Foot	P1  Connector-P1	P2  Connector-P2

BED FRAME PARTS LIST

P3

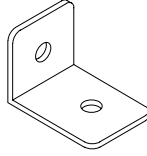
2PCS



Connector-P3

P4

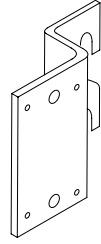
6PCS



Connector-P4

P5

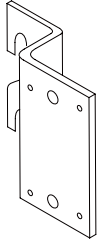
1PC



Connector-P5


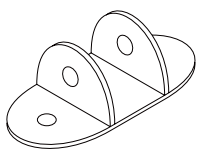
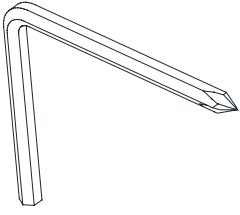


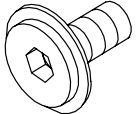
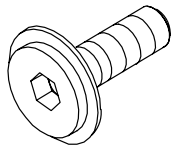
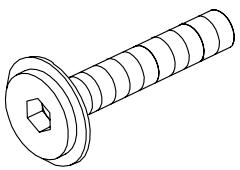
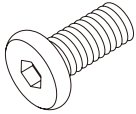
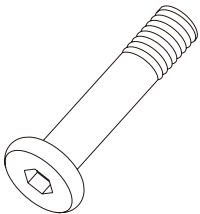

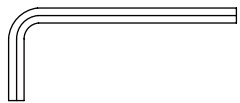
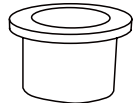
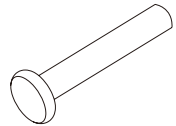

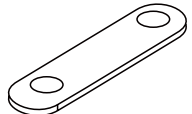
P6

1PC



Connector-P6

FITTING PART LIST

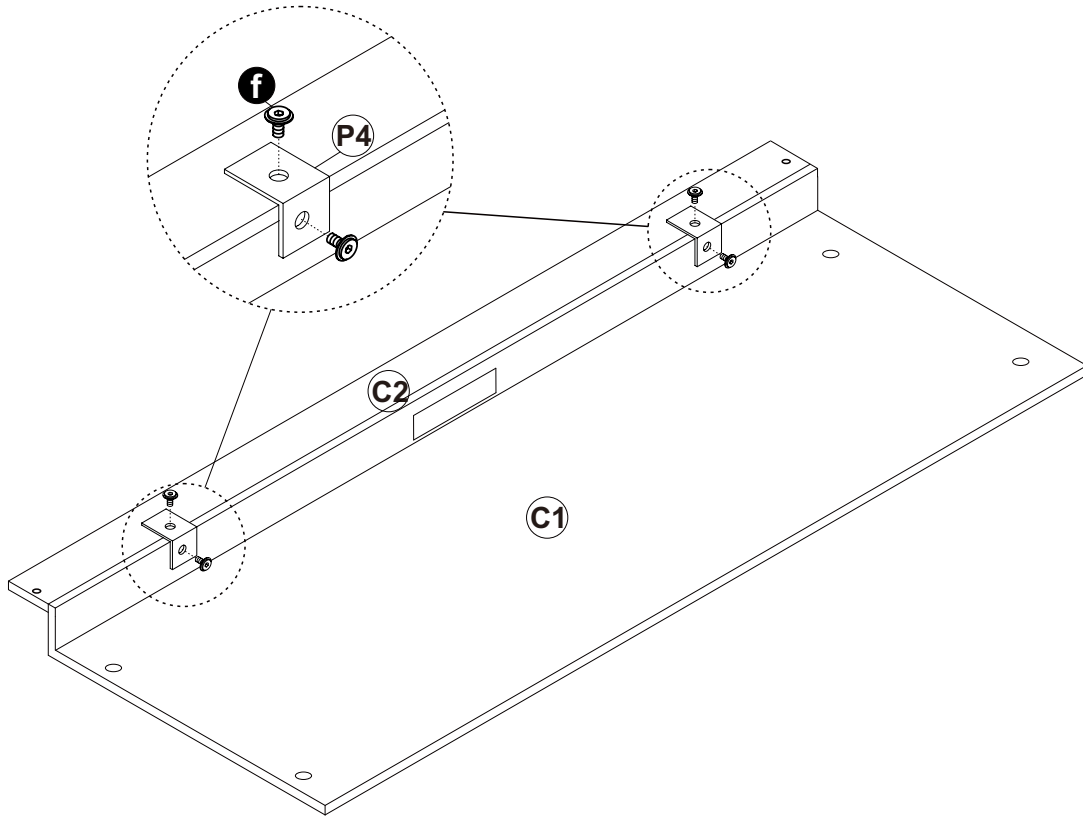
a	2PCS	b	1PC	c	1PC	d	8PCS
					M6		M4*16
e	4PCS	f	44PCS	g	9PCS	h	12PCS
							
M8*40		M8*18		M8*35		M8*50	
i	14PCS	j	2PCS	m	4PCS	n	1PC
							
M8*18		M10*37				M8	
o	8PCS	r	4PCS	s	4PCS	t	2PCS
							
						Connector	

step1

f

M8*18

4PCS

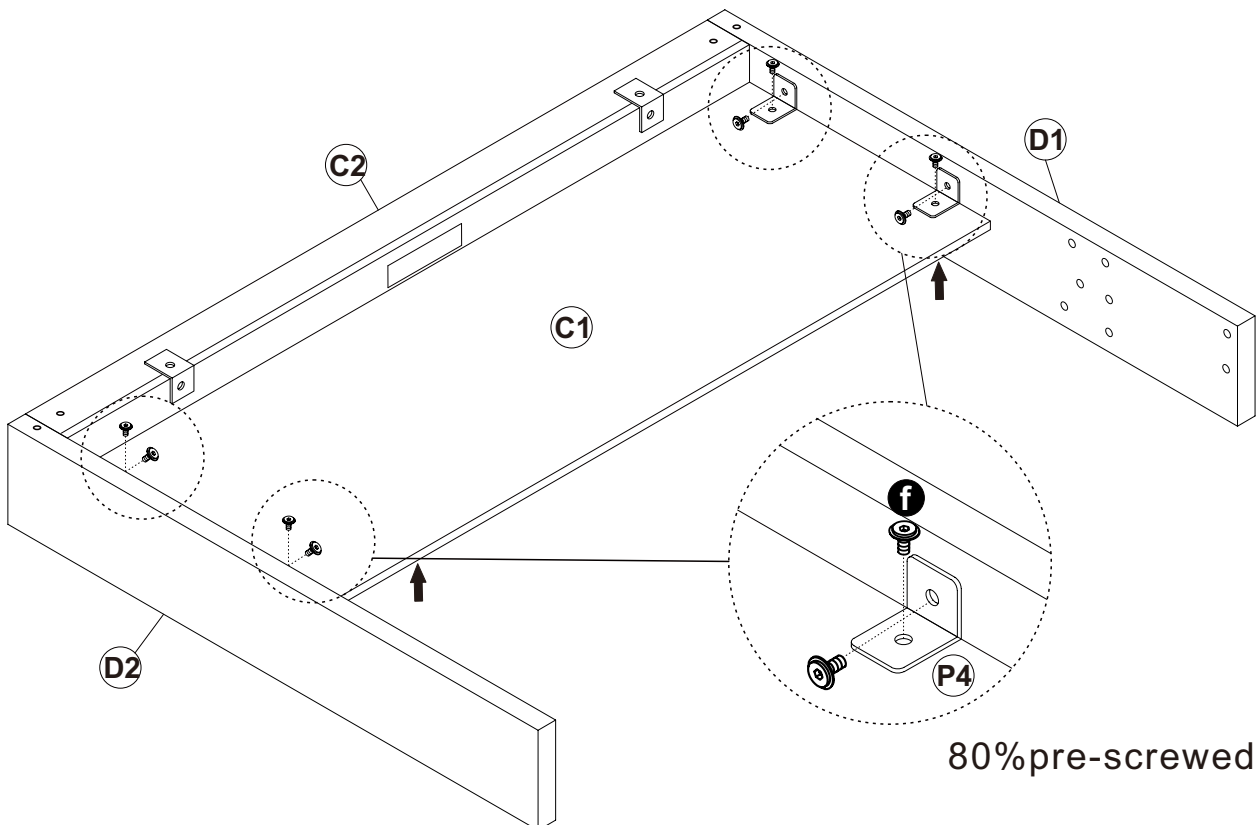


step2

f

M8*18

8PCS



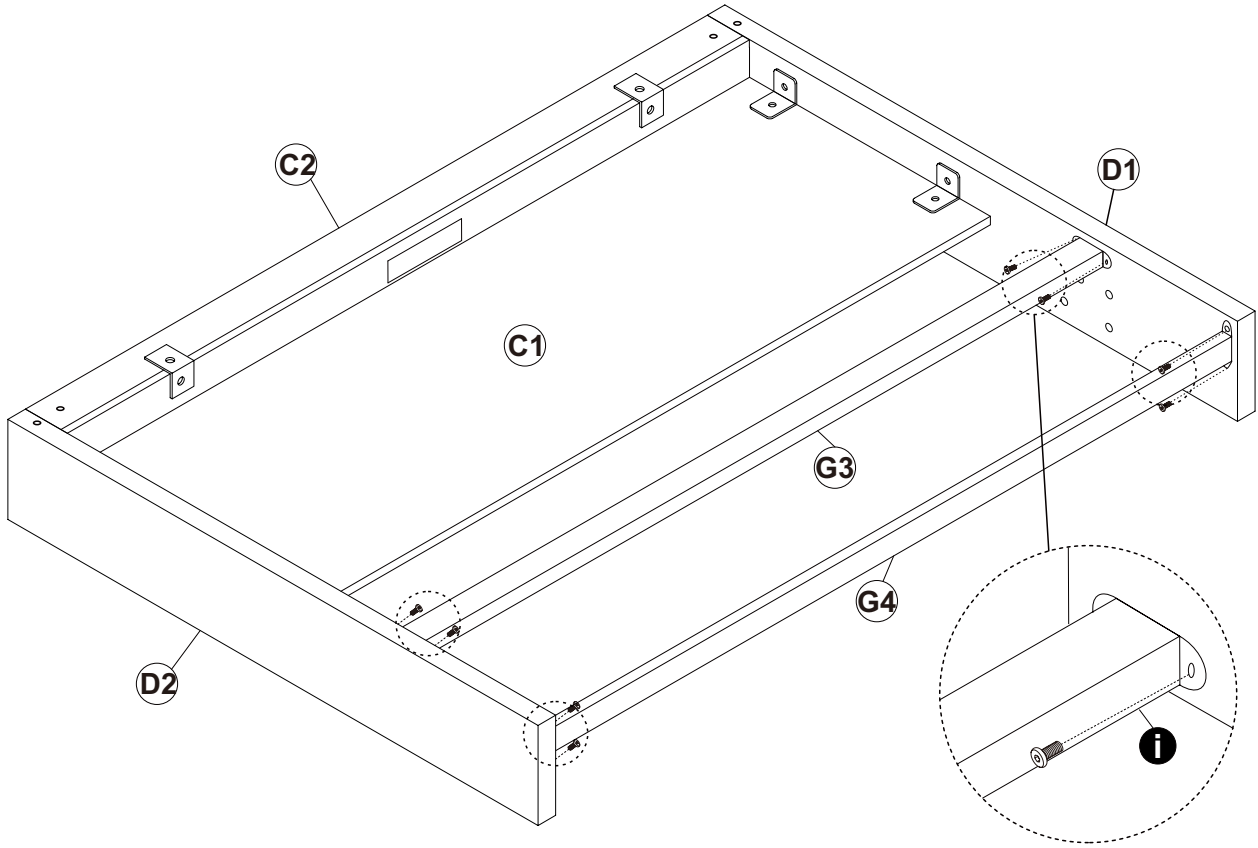
80% pre-screwed

step3

i

M8*18

8PCS

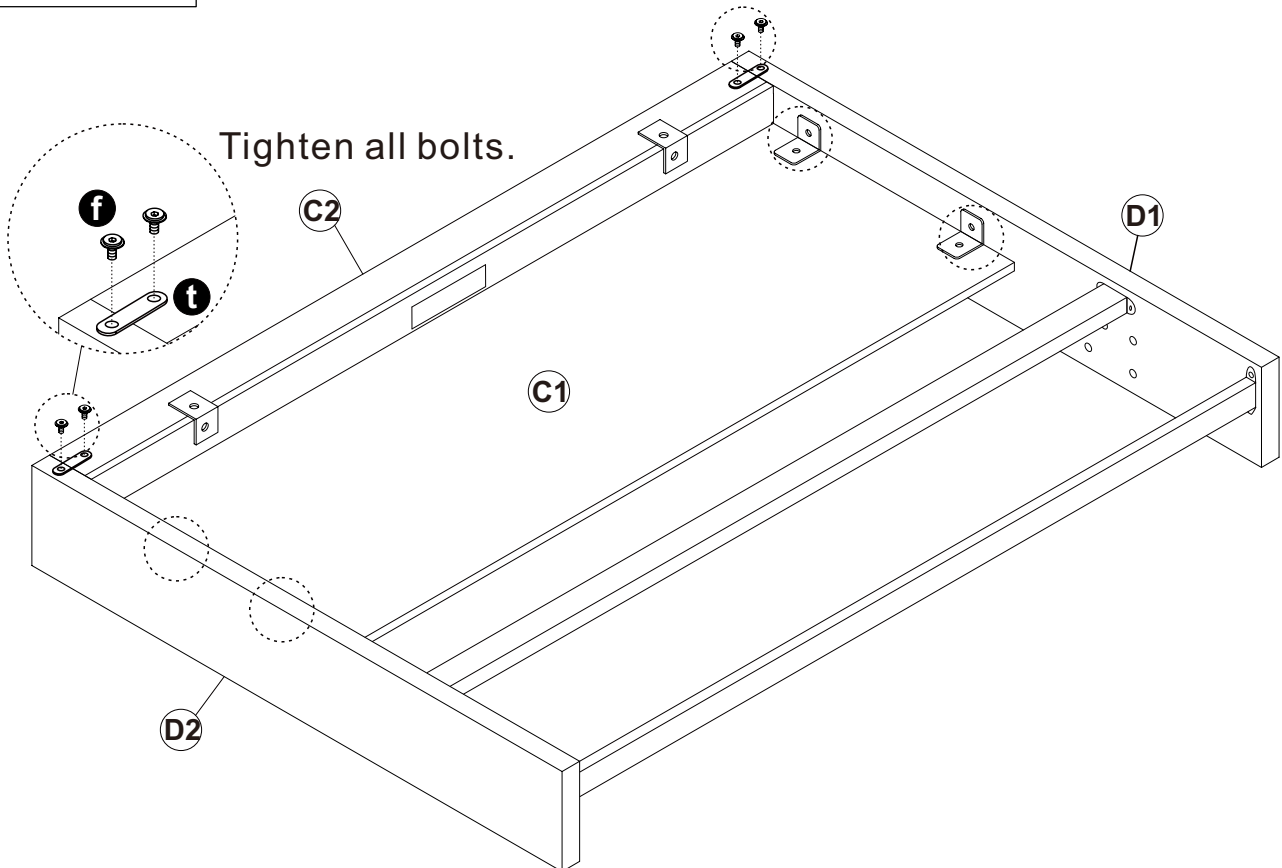


step4

f

M8*18

4PCS

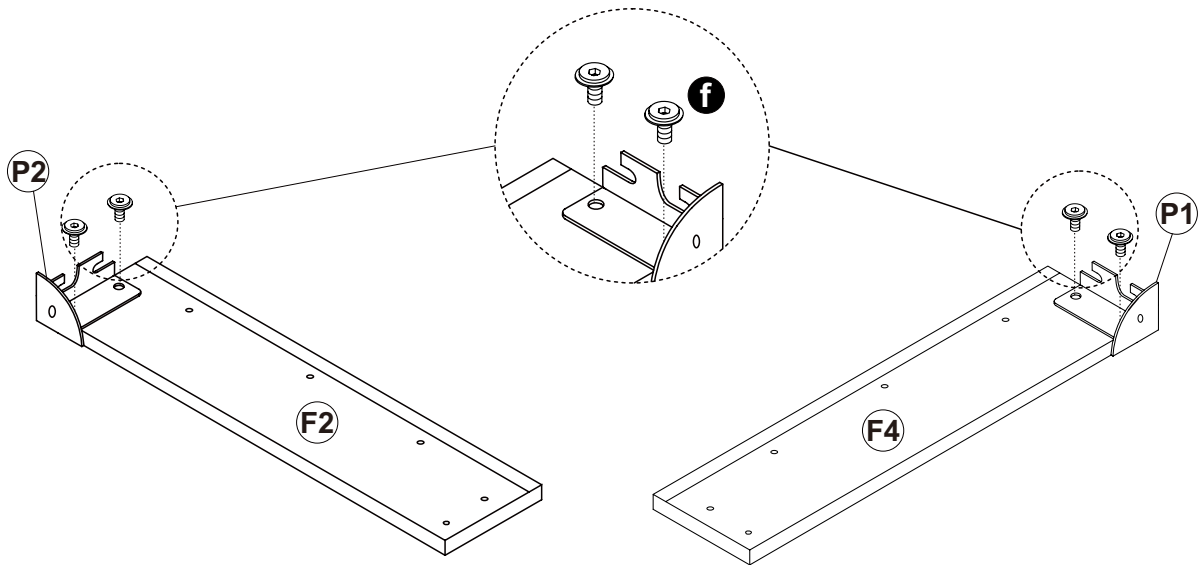


step5

f

M8*18

4PCS

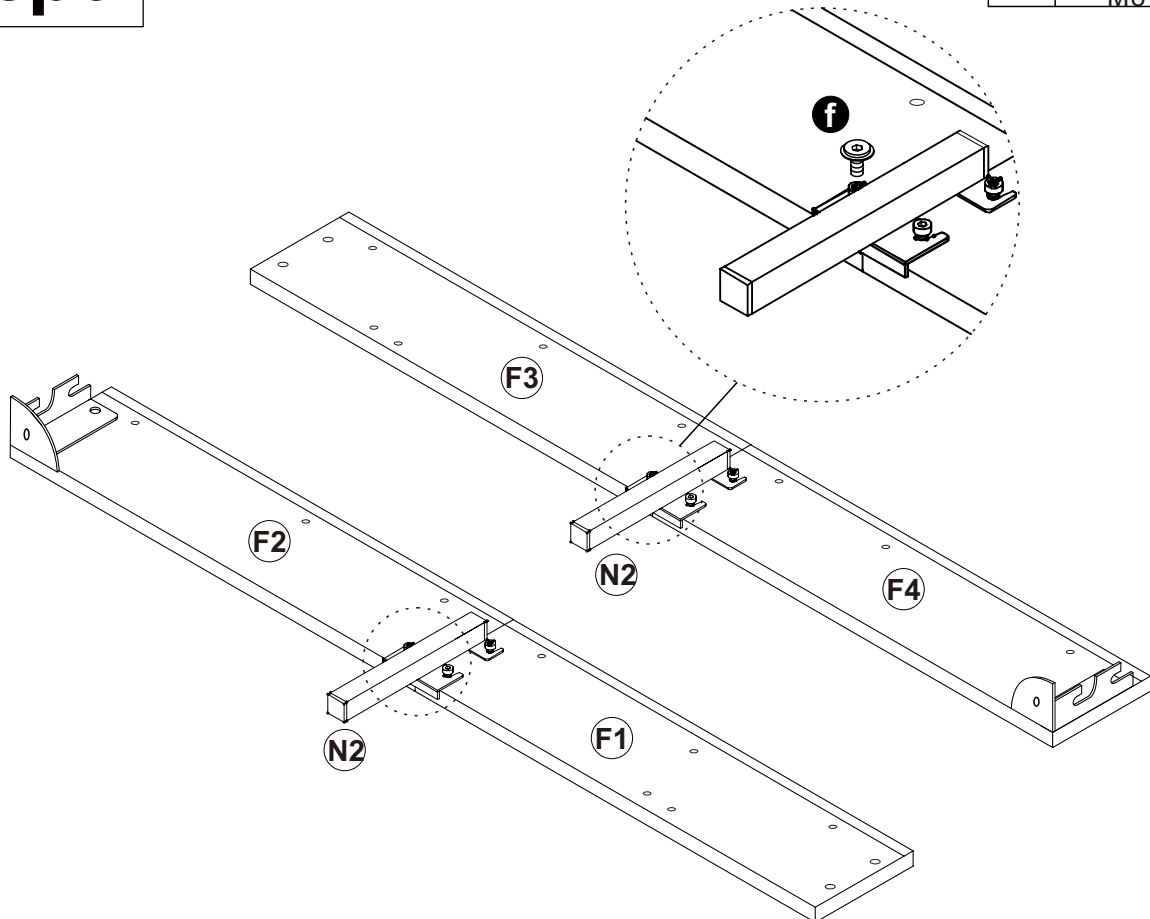


step6

f

M8*18

4PCS

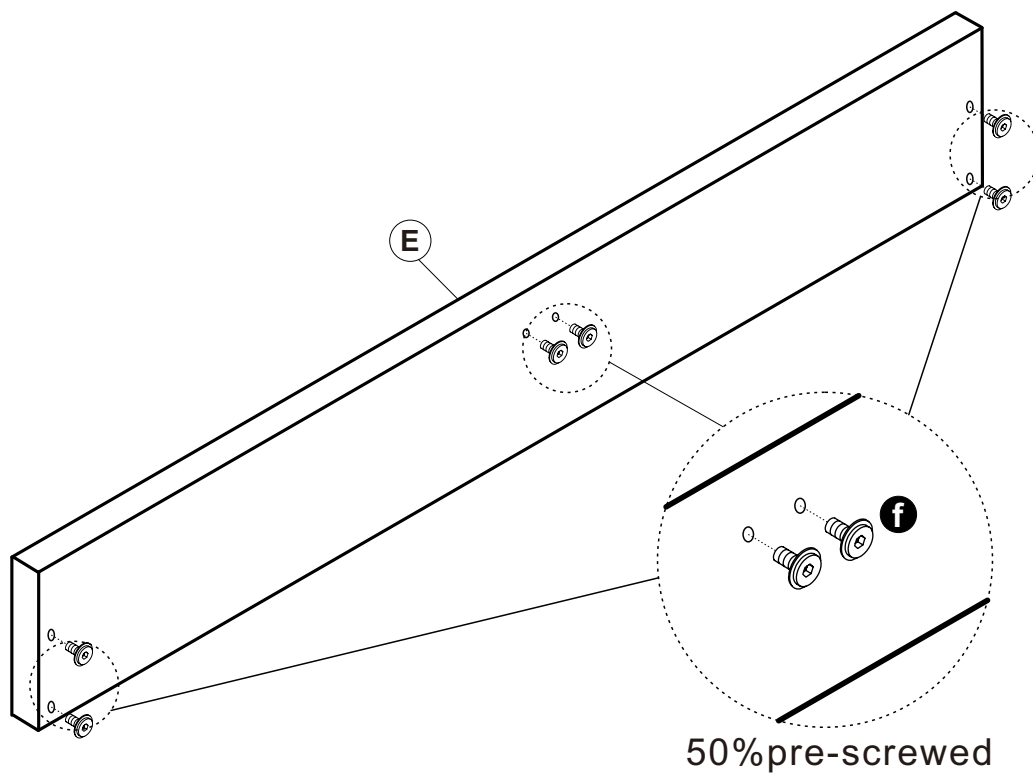


step7

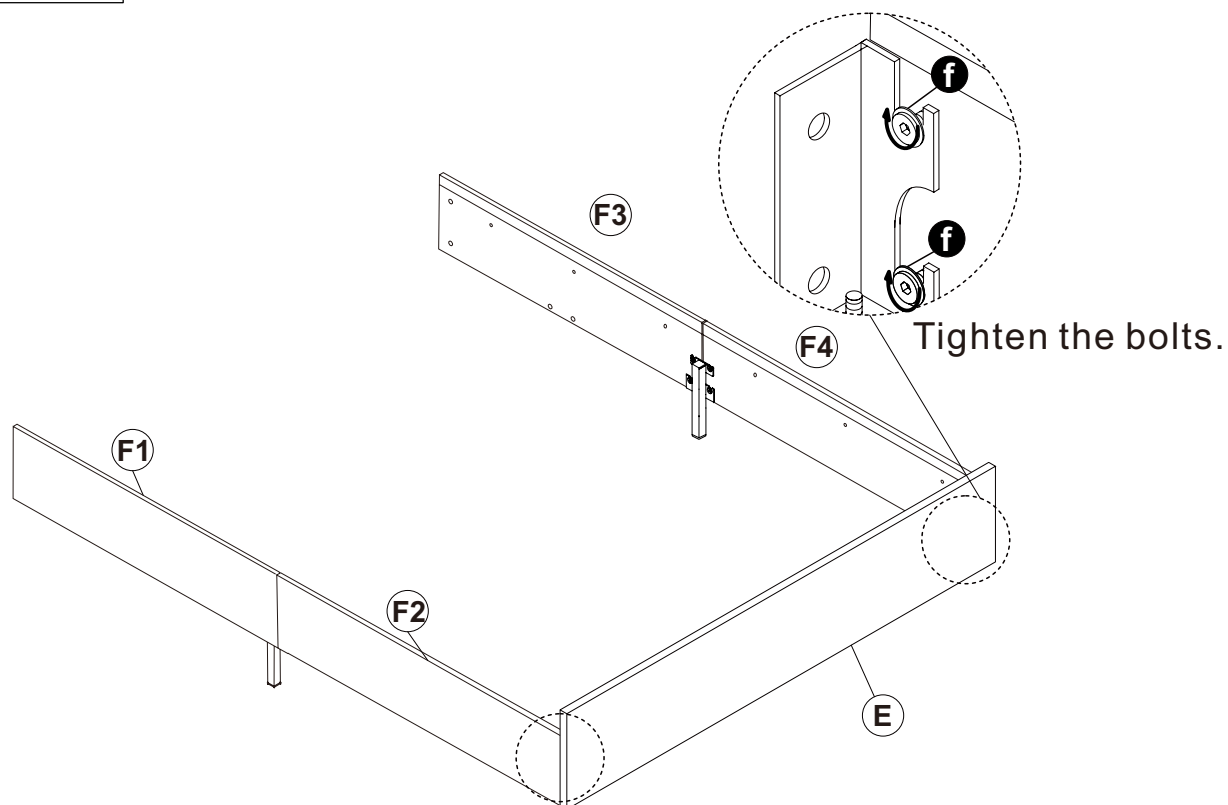
f

M8*18

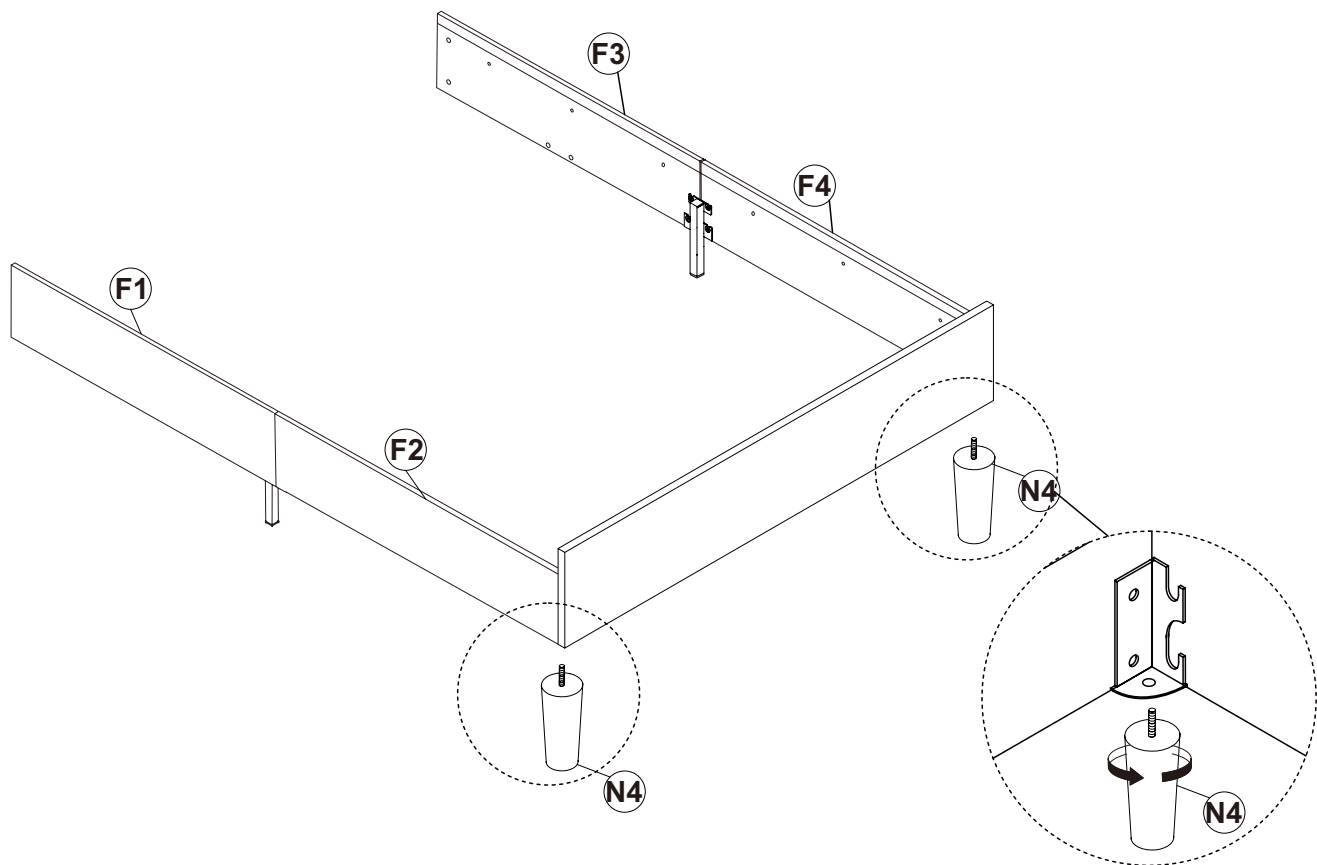
6PCS



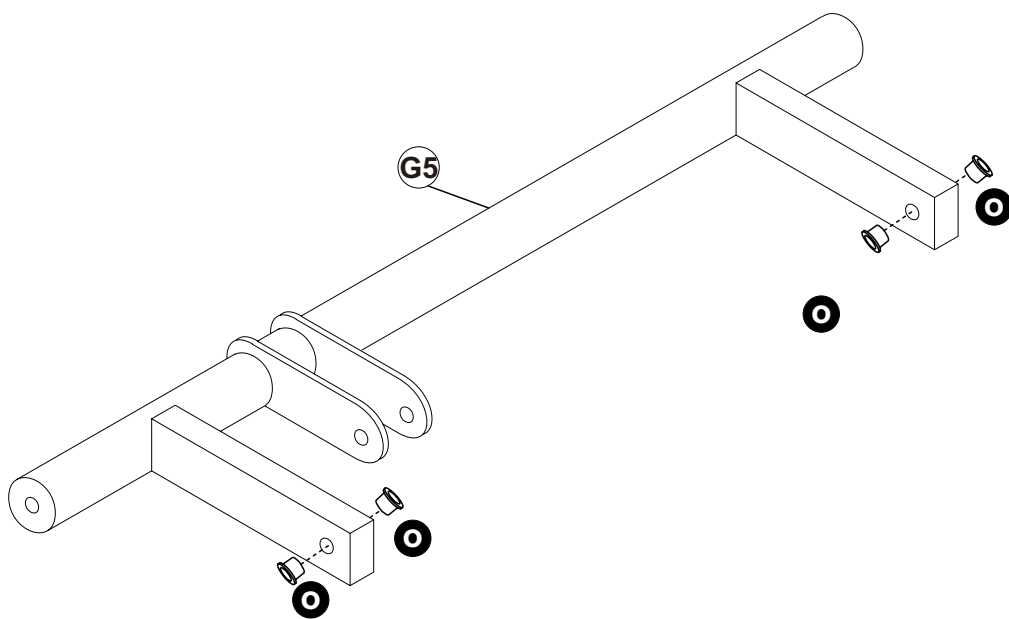
step8



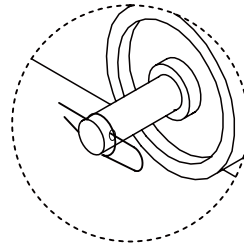
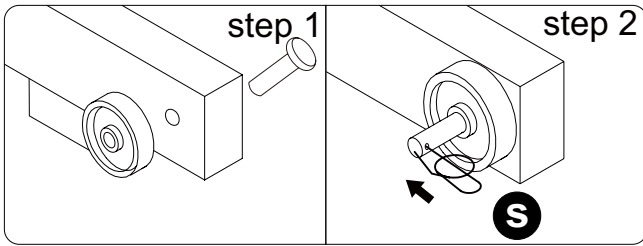
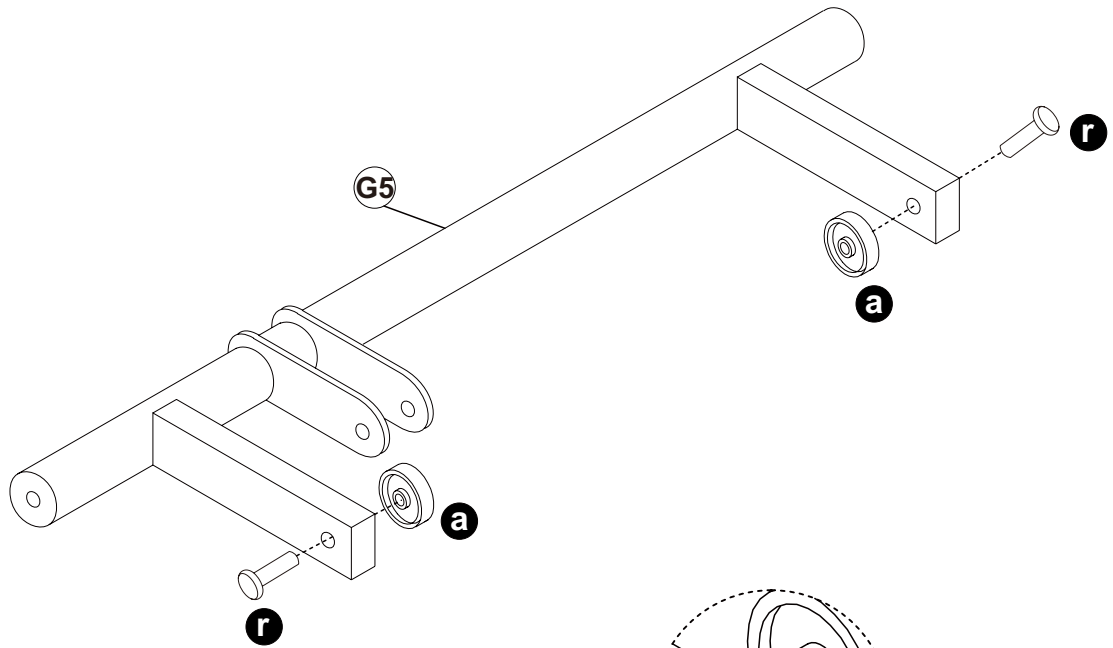
step9



step10

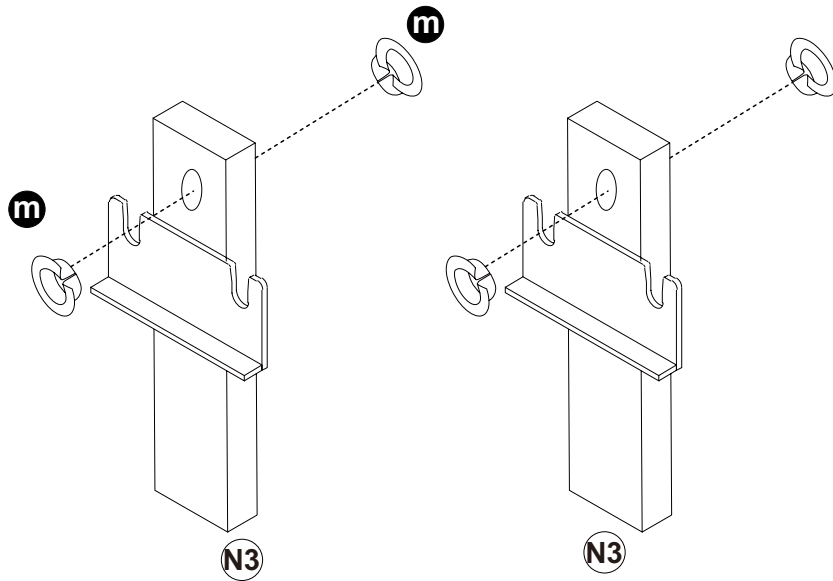


step11



As shown on the graph, shows part S after assembling.

step12

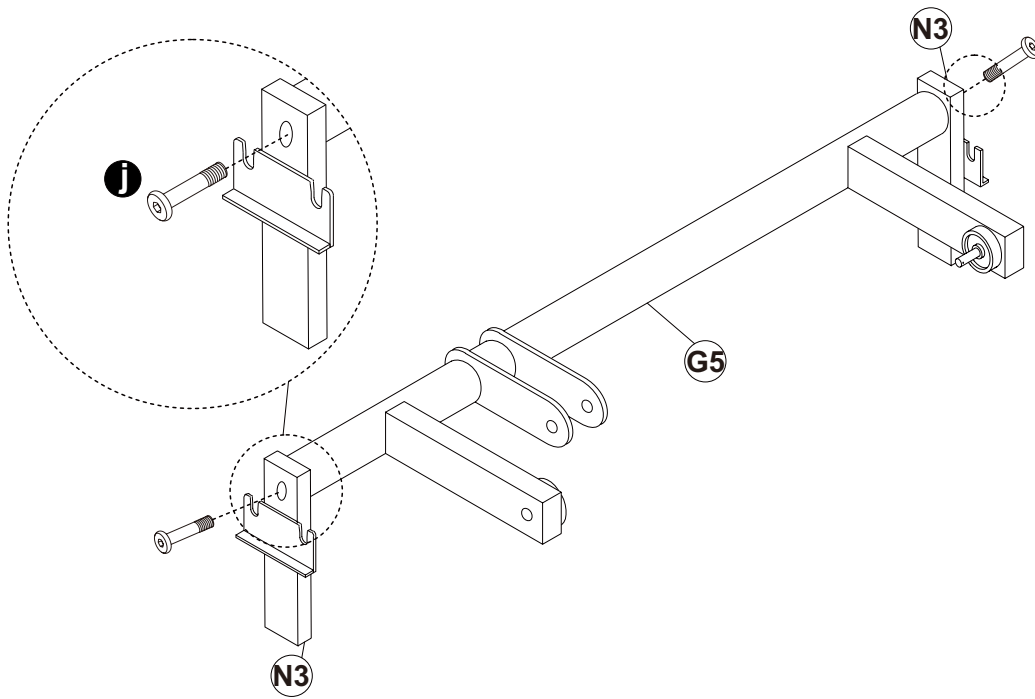


step13

j

M10*37

2PCS

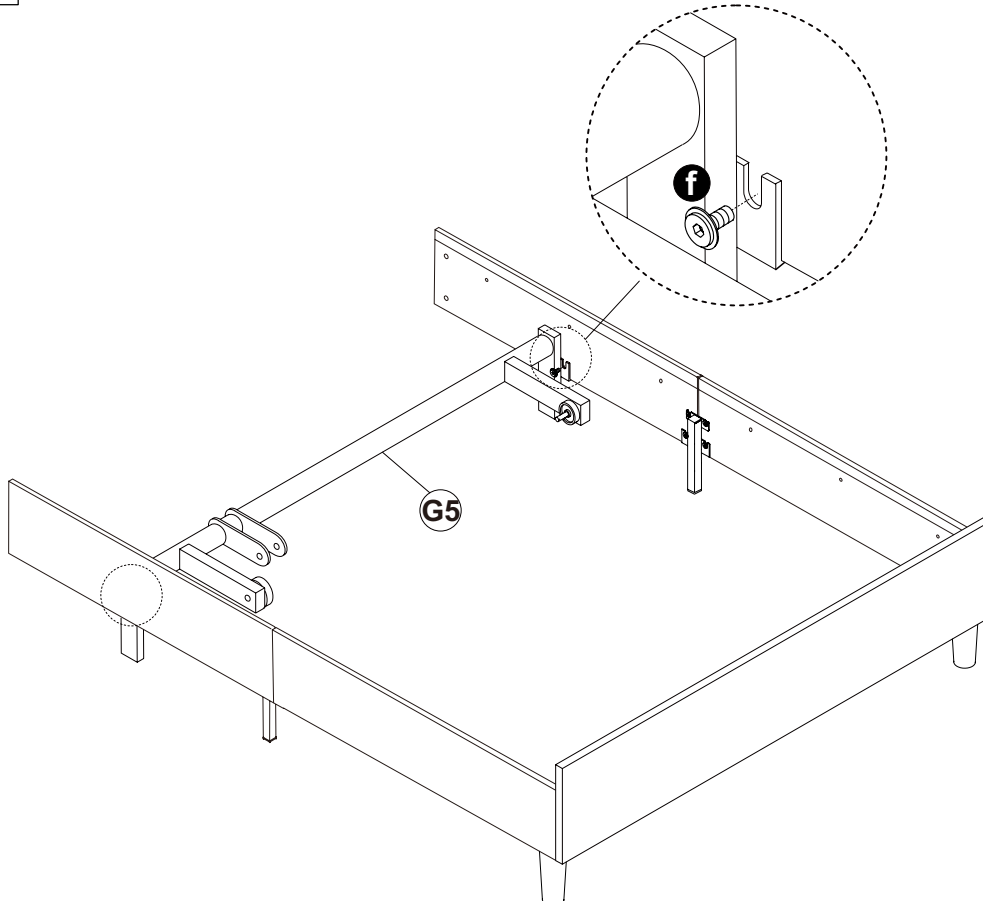


step14




f

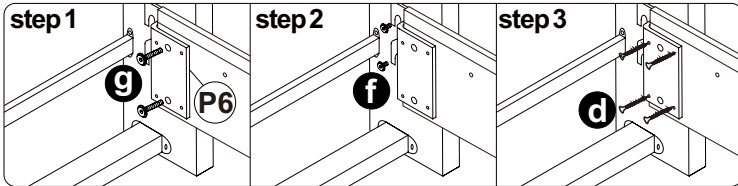
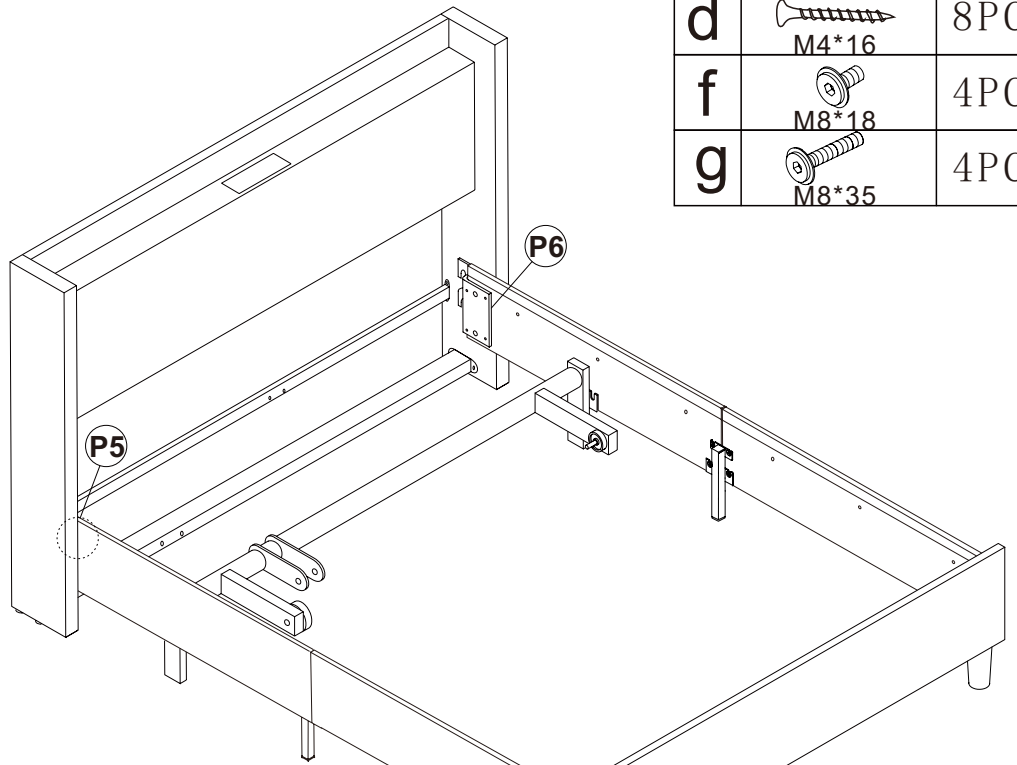
M8*18

4PCS



step15

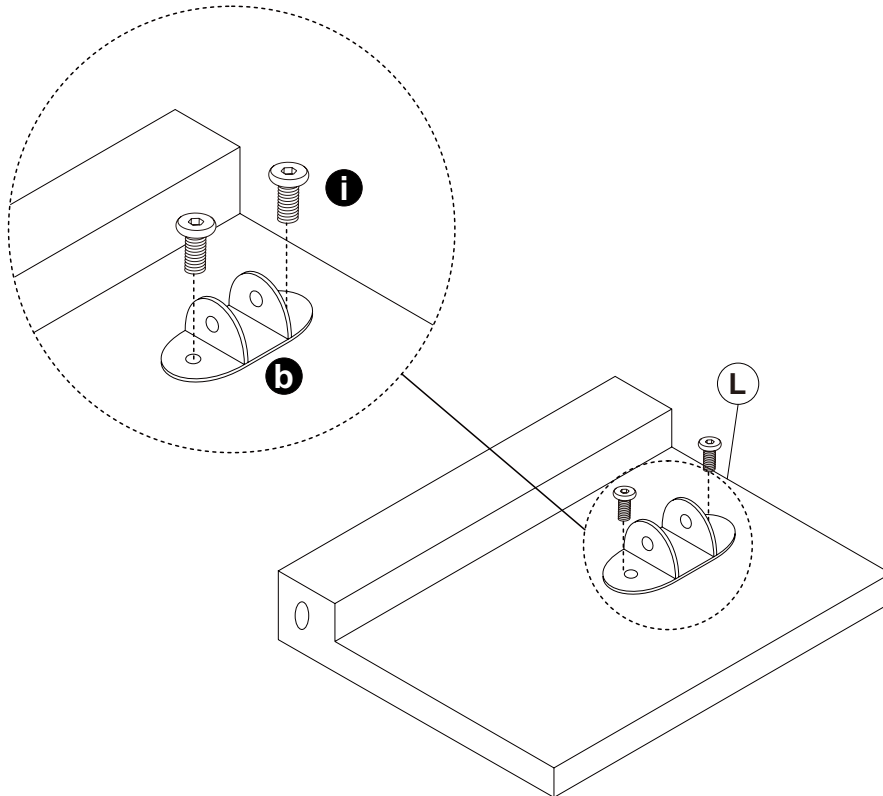
d	 M4*16	8PCS
f	 M8*18	4PCS
g	 M8*35	4PCS



50%pre-screwed Tighten all bolts.

step16

i	 M8*18	2PCS
---	--	------

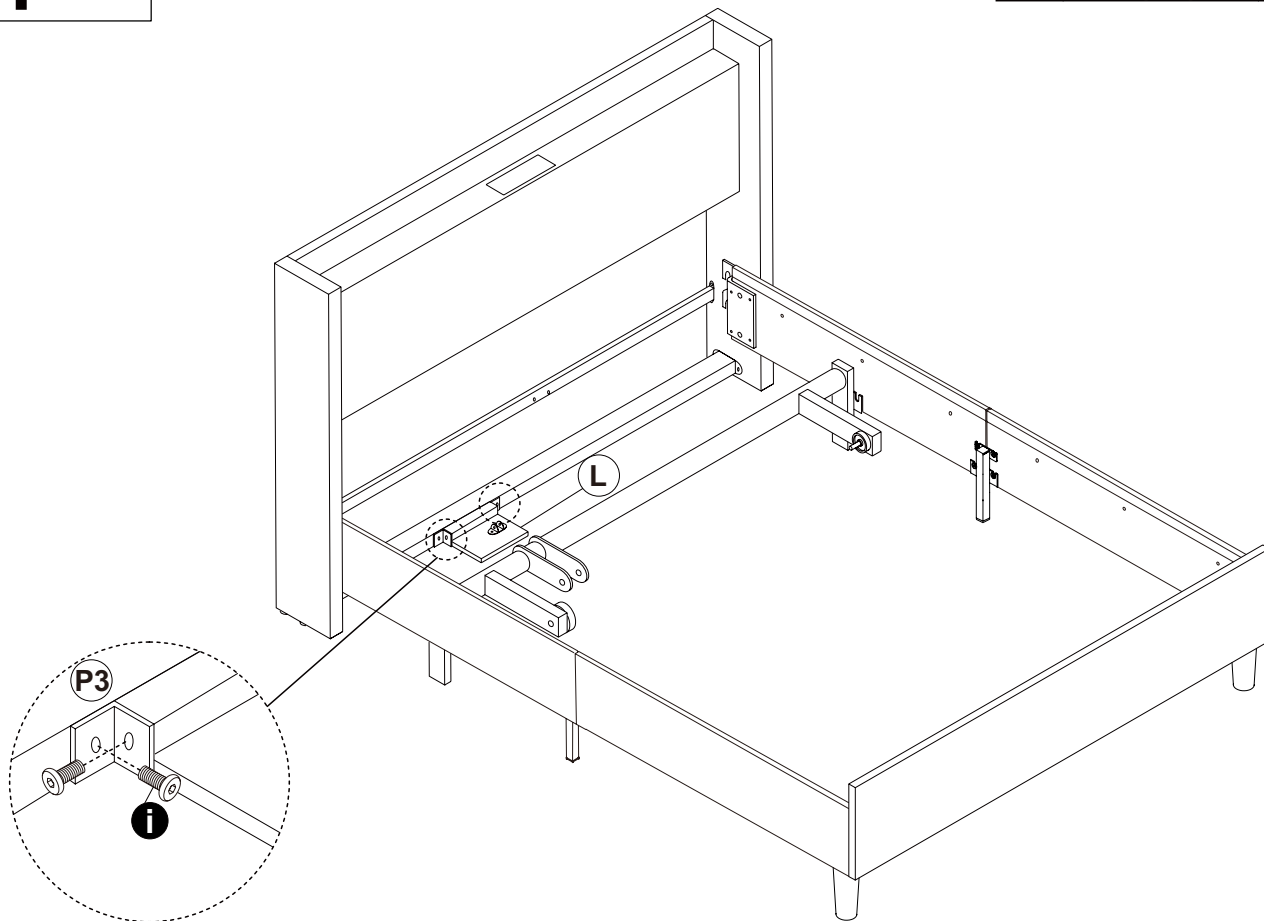


step17

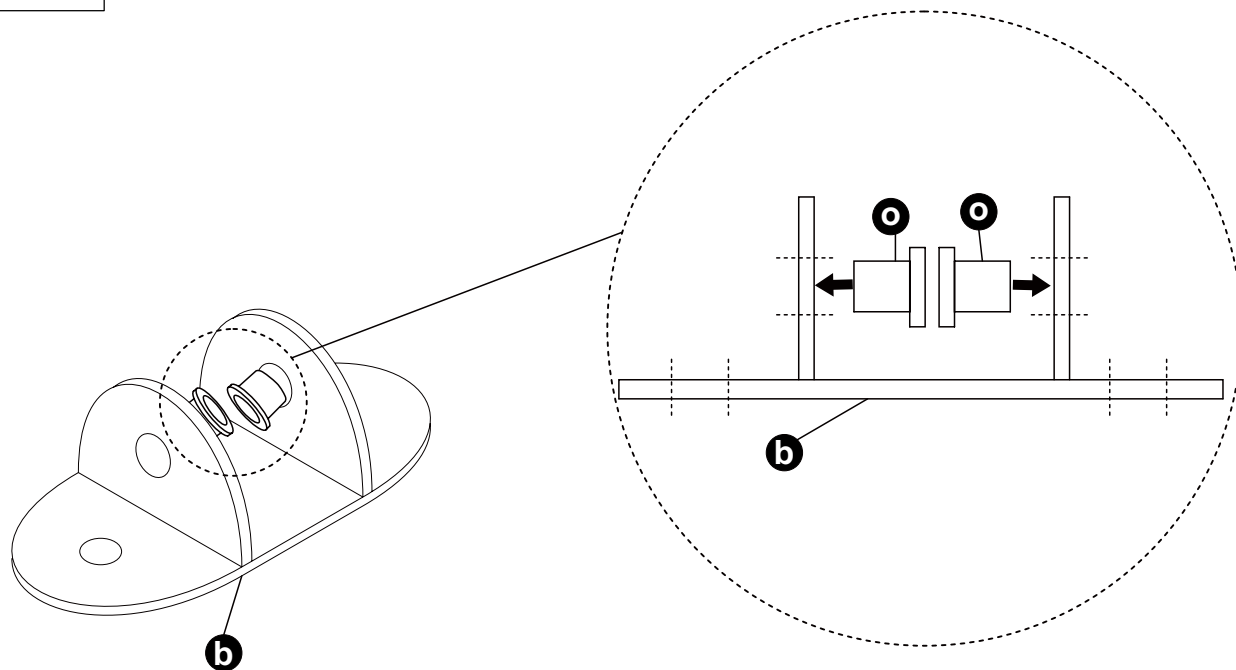
i

M8*18

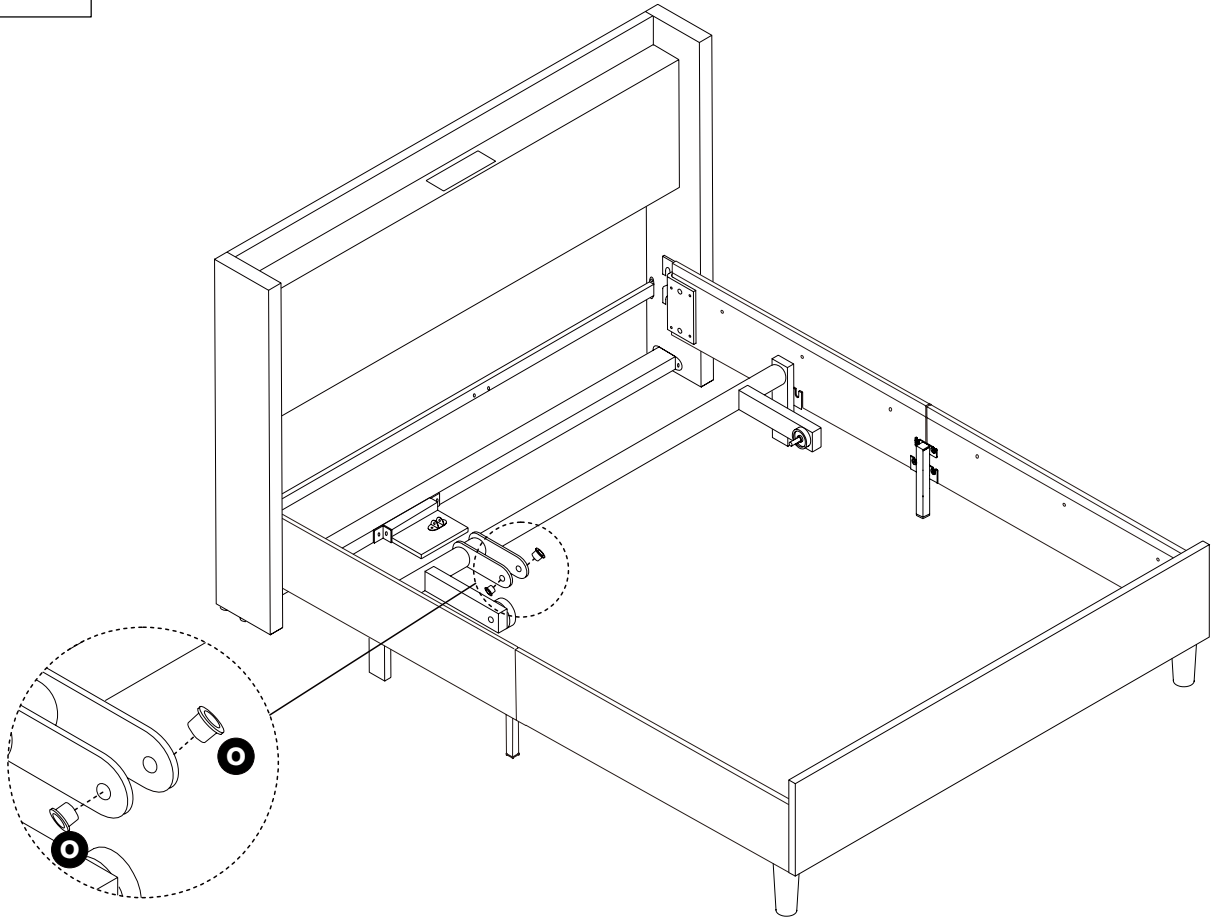
4PCS



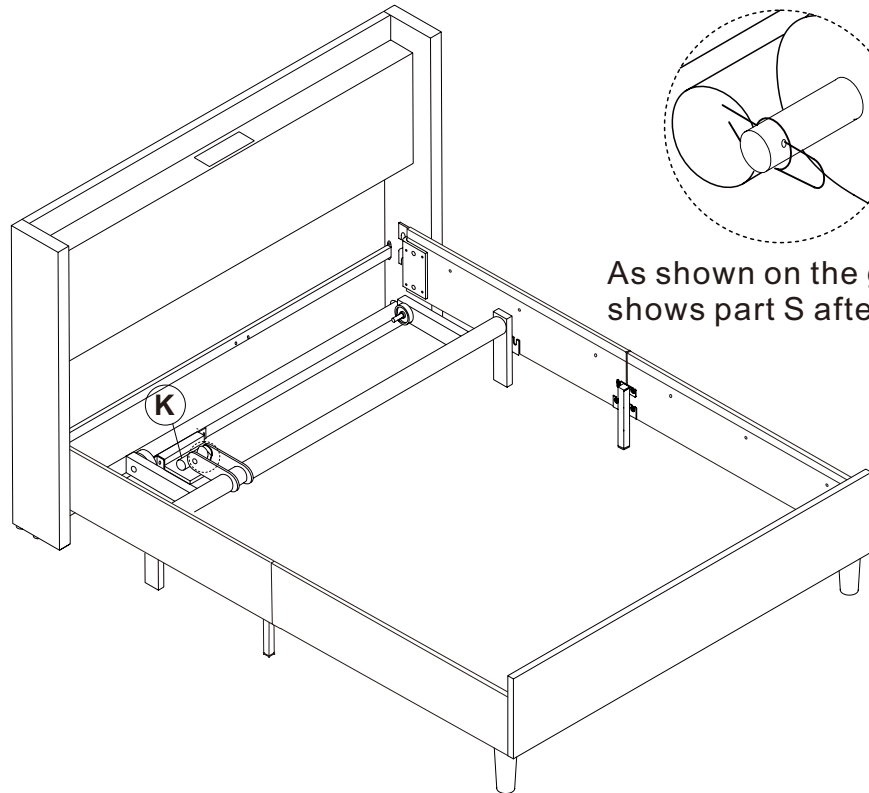
step18



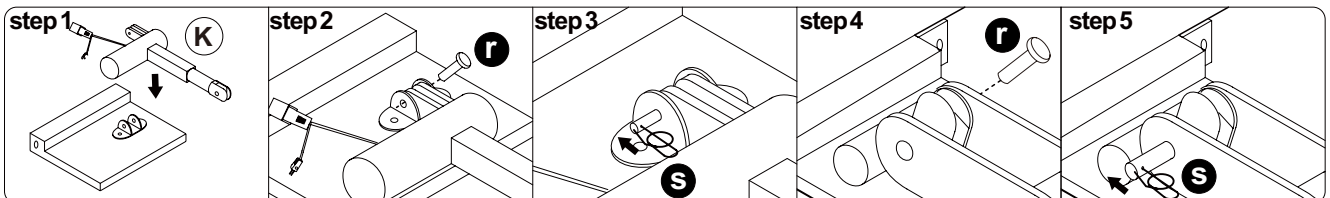
step19



step20

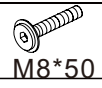


As shown on the graph, shows part S after assembling.

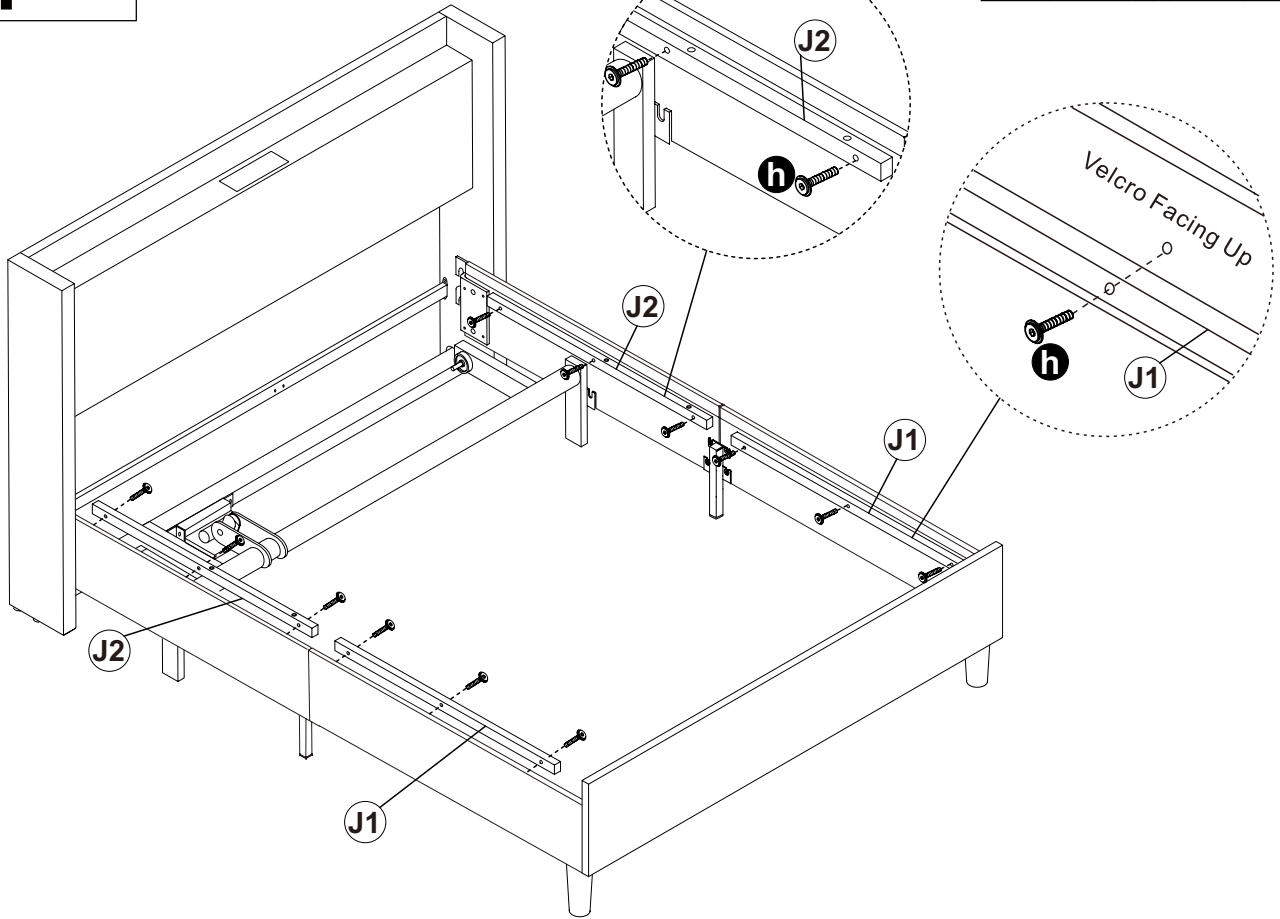


step21

h



12PCS

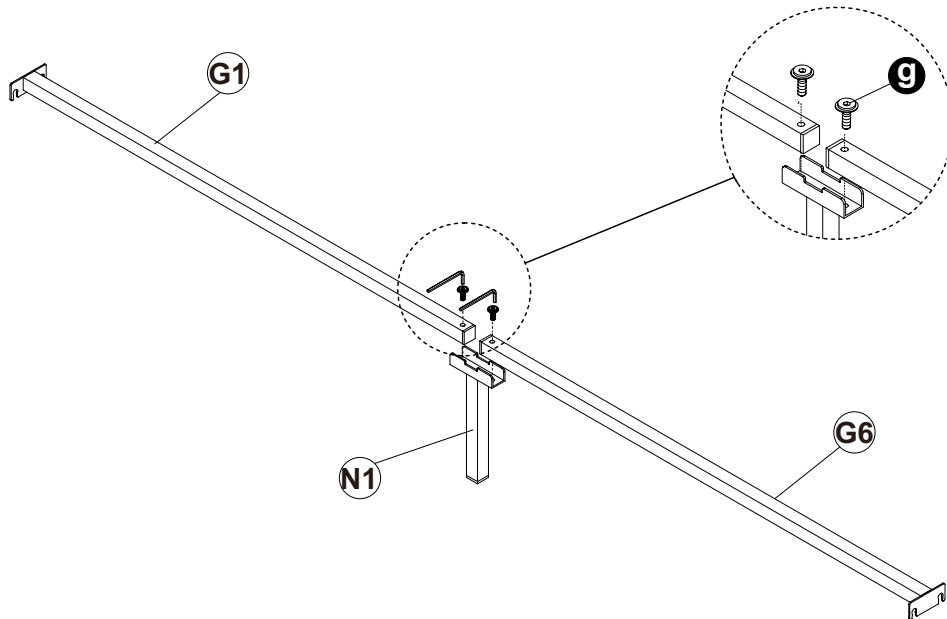


step22

g



2PCS

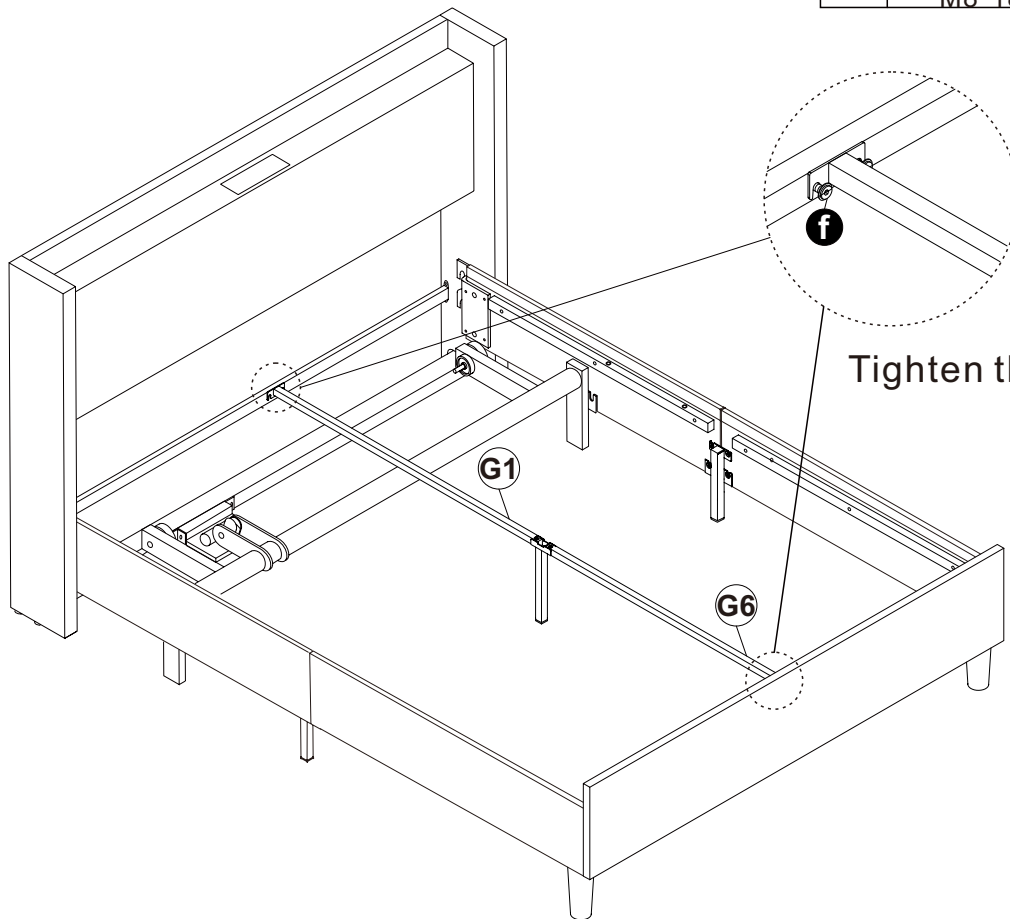


step23

f

M8*18

2PCS

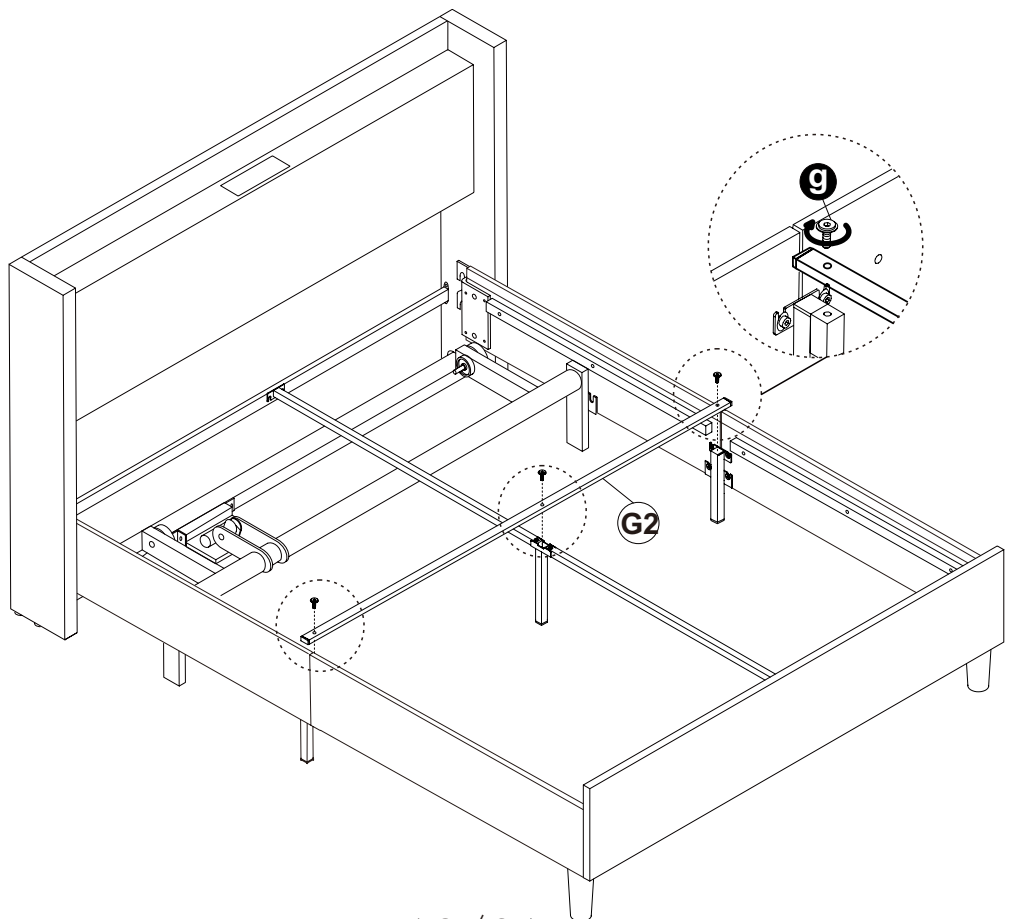


step24

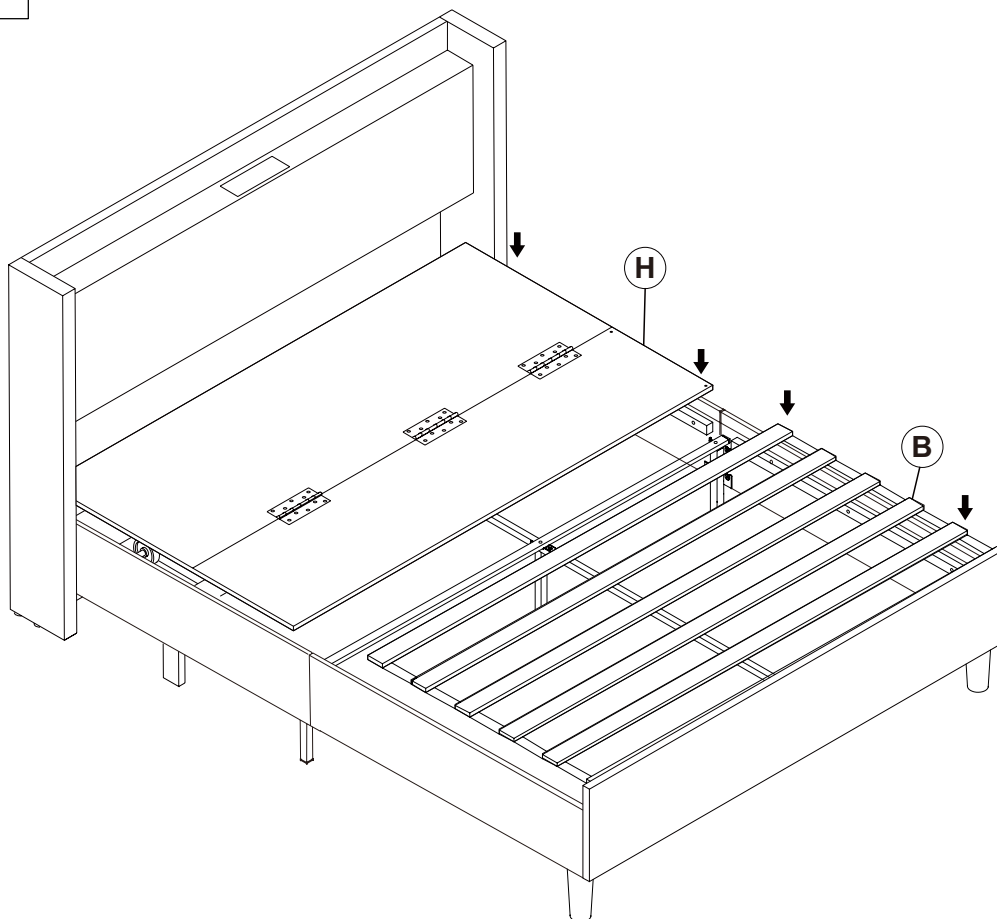
g

M8*35

3PCS



step25

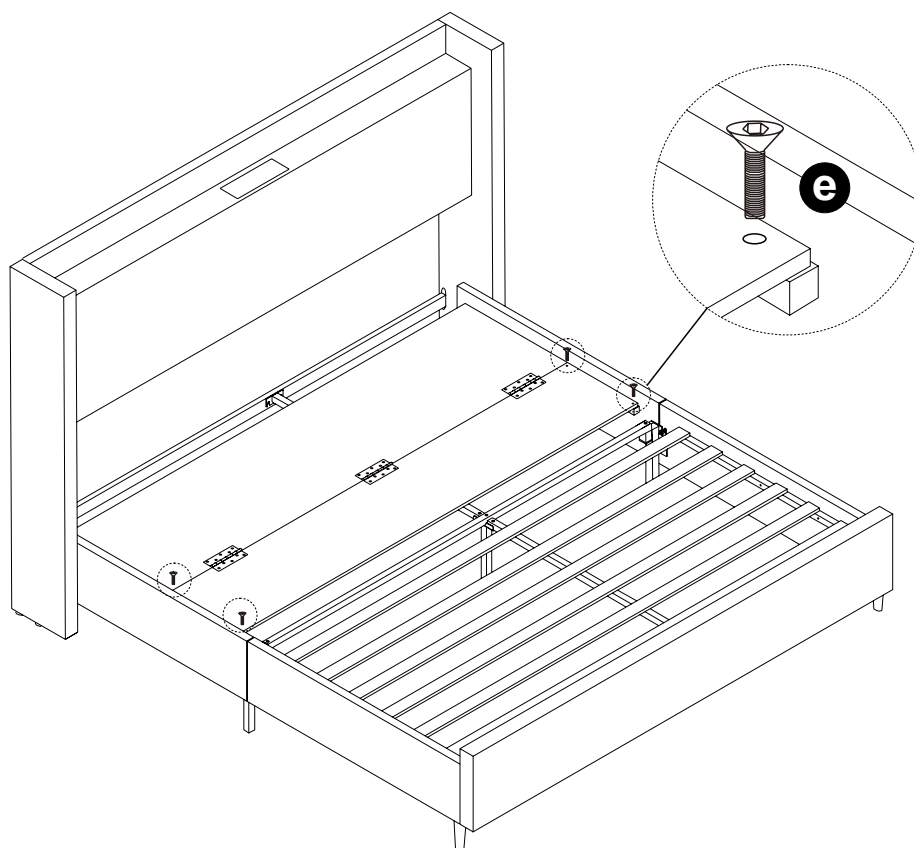


step26

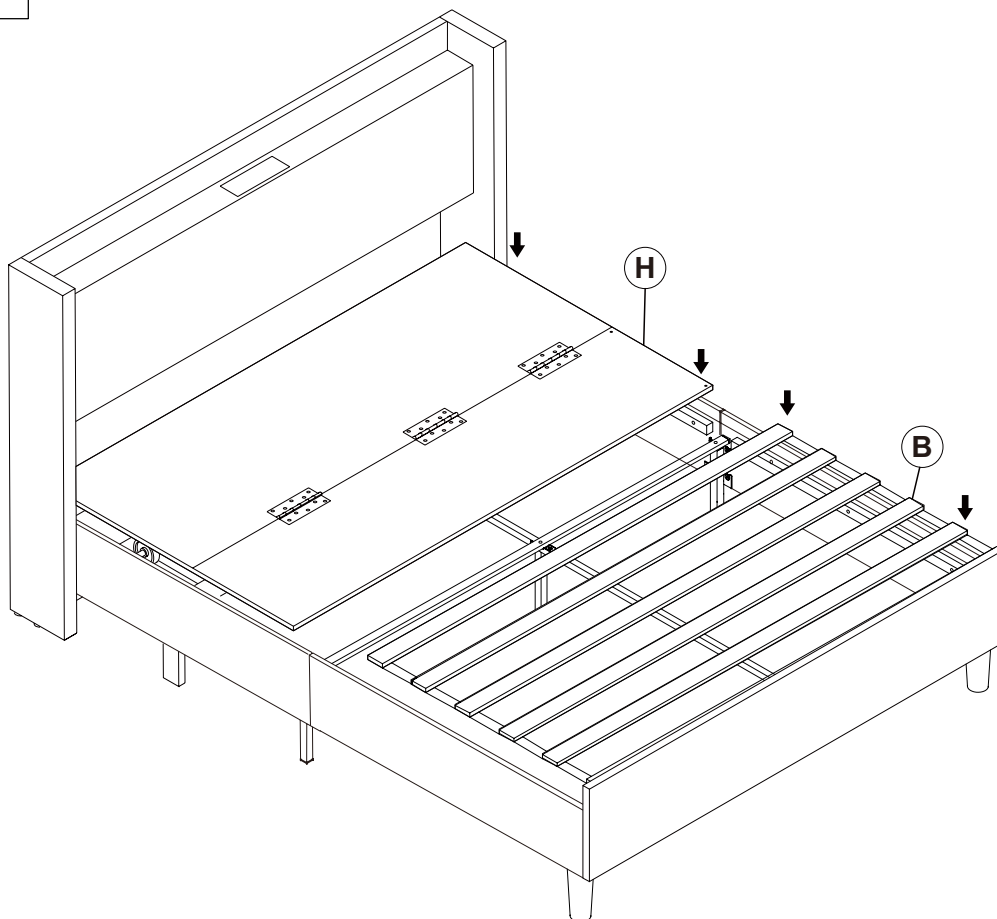
e



4PCS



step25

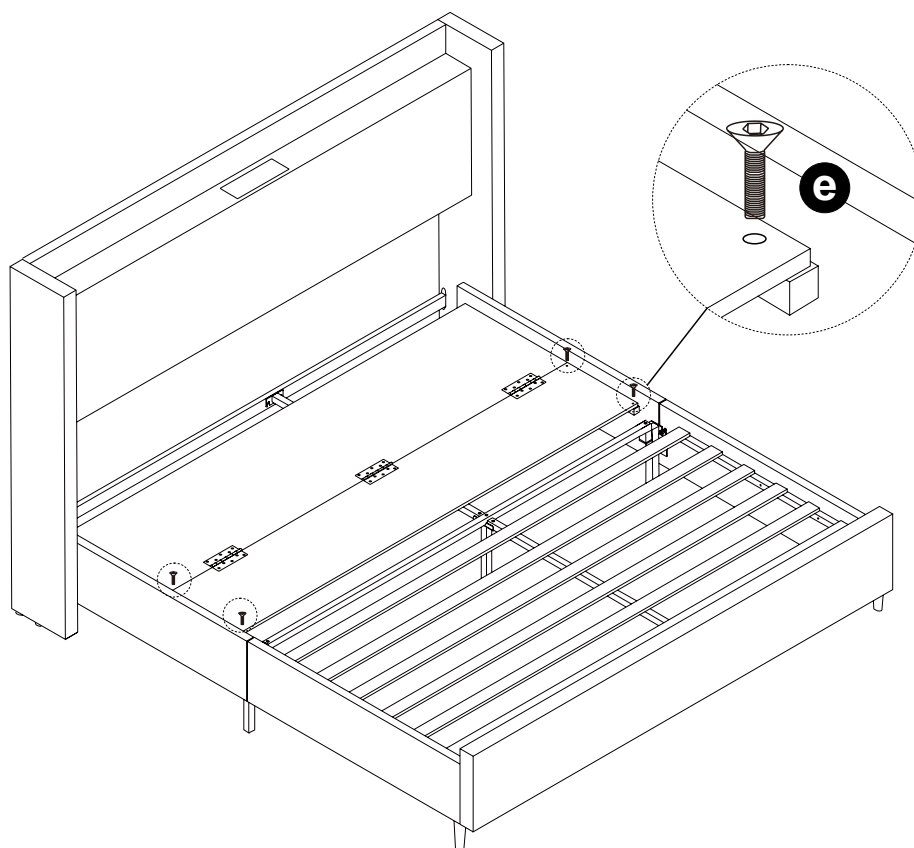


step26

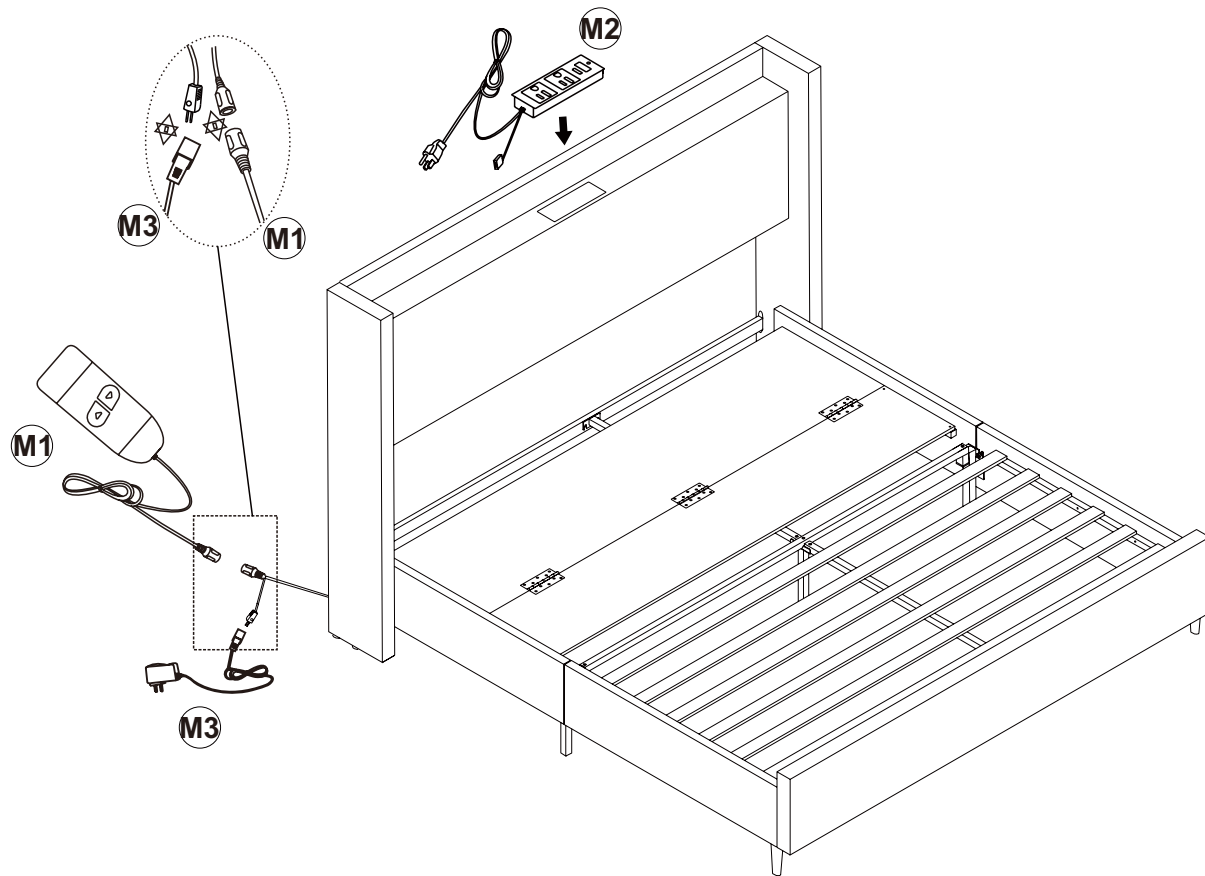
e



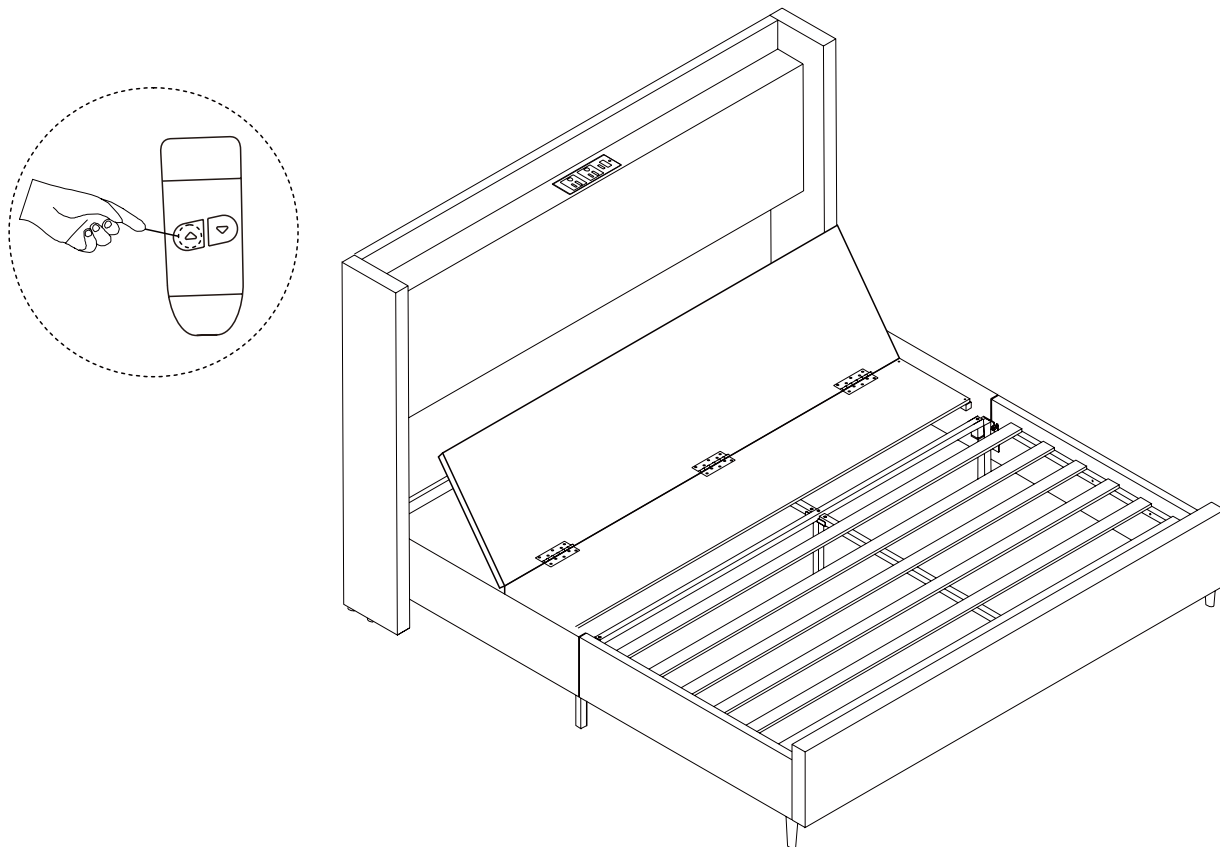
4PCS



step27



step28



step29

