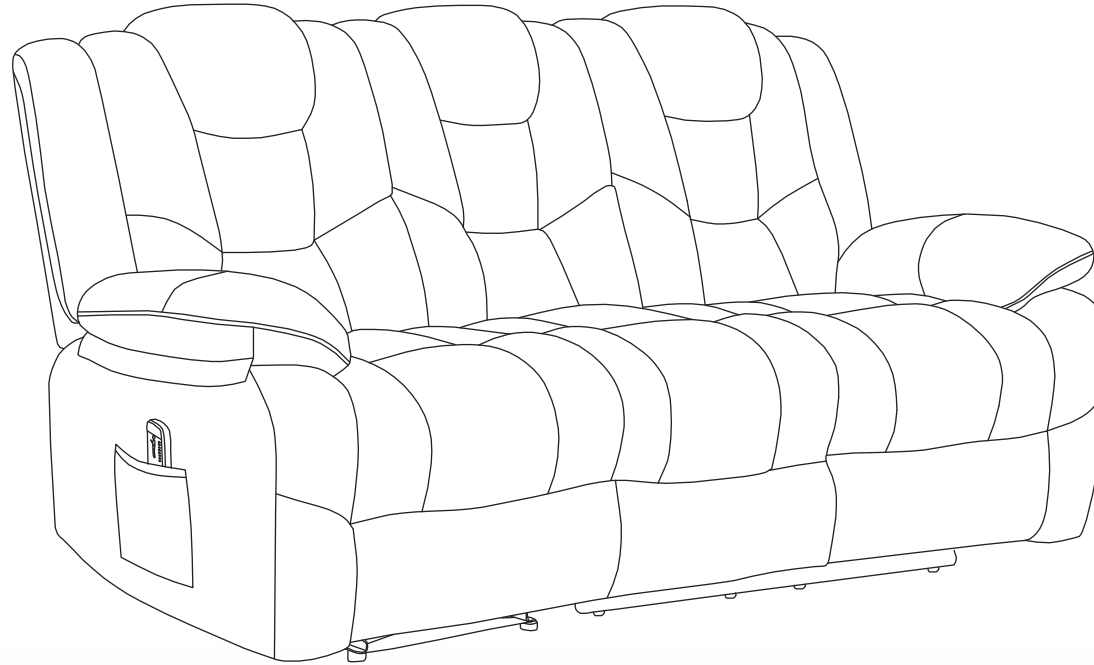


CONTEMPORARY SOFA

Assembly Instruction



NOTE:

Delivered with TWO PACKAGES with TWO TRACKINGS, may NOT be delivered at the same time.

**Any question please feel free to contact us:
support@merluxyhome.com TEL:901-347-2181
We will provide further assistance within 24 hours.**

Dear Customers,

Thank you for purchasing our product. Please read this instruction manual carefully after receiving this product. It will help you assemble this product quickly, safely and correctly. You can keep this manual for future reference.



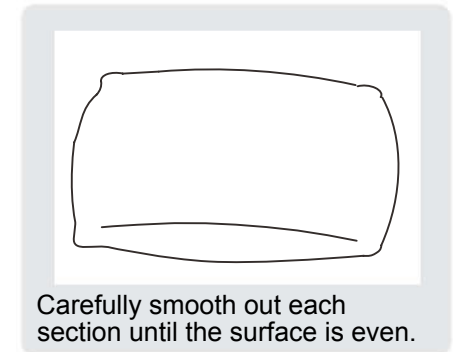
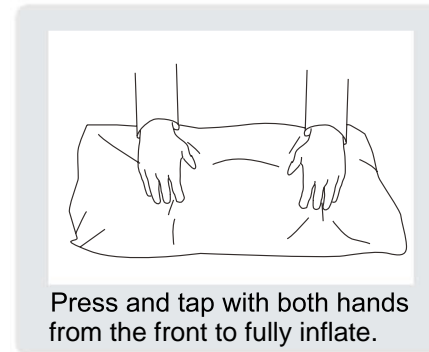
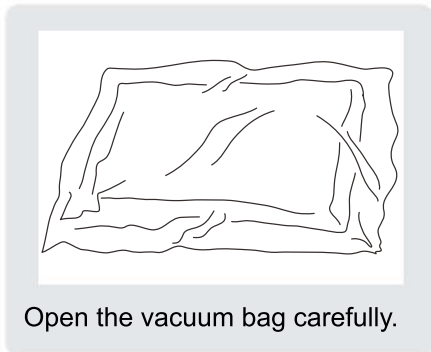
Safety and Care Advice

Important – Please read these instructions fully before starting assembly

Thanks for your purchase. Before assembling, please follow the instructions to check if all the spare parts and screws are intact.

- Considering the size and weight of the sofa, we recommend two adults to assemble the sofa, on a carpeted or padded area, in the room that it is intended for. Approximate assembly time: 30 minutes.
- Keep all components and packaging out of reach of children or animals to avoid the risk of choking or suffocation.
- Please do not throw away any of the packaging or the instruction until you have checked all the components and hardware and the furniture is fully assembled. Please ensure that the packaging is disposed in a safe and environmentally friendly way.
- Please do not take off the cover, and do not wash.

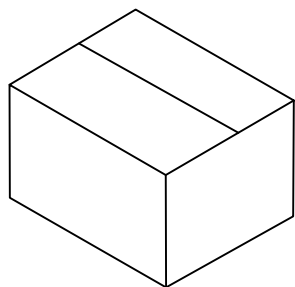
Your cushions come vacuum packed and sealed for shipping. To restore the cushion's original shape, follow the steps below.



After packing up, place them somewhere dry and ventilated. After about 72-96 hours, it can be restored to the best-use condition.

BOX 1

SOFA PART

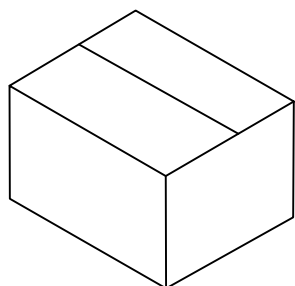


B		Seat(M&L)	x1	J		BACK FRAME(L)	x1
E		ARMREST PAD (L)	x1	L		BACKREST COVER(M)	x1
G		wing(L)	x1	M		BACKREST COVER(L)	x1
I		BACK FRAME(M)	x1				

BOX 2

SOFA PART

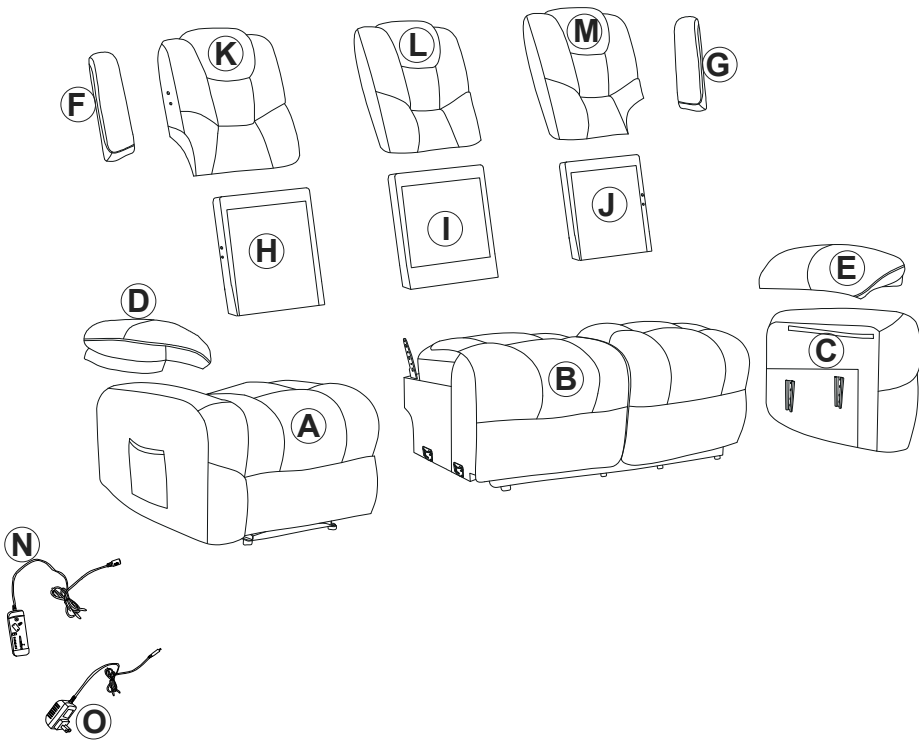
HARDWARE PART



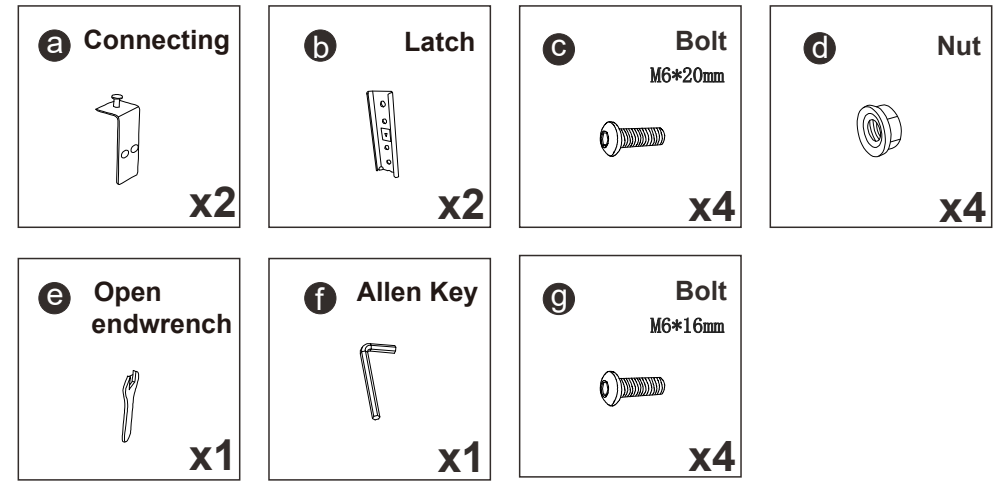
A		Seat(R)	x1	H		BACK FRAME(R)	x1
C		Armrest(L)	x1	K		BACKREST COVER(R)	x1
D		ARMREST PAD (R)	x1	N		Remote Control	x1
F		wing(R)	x1	O		Adapter for massage	x1

a		Connecting	x2
b		Latch	x2
c		Bolt M6X20	x4
d		Nut	x4
e		Open endwrench	x1
f		Allen Key	x1
g		Bolt M6X16	x4

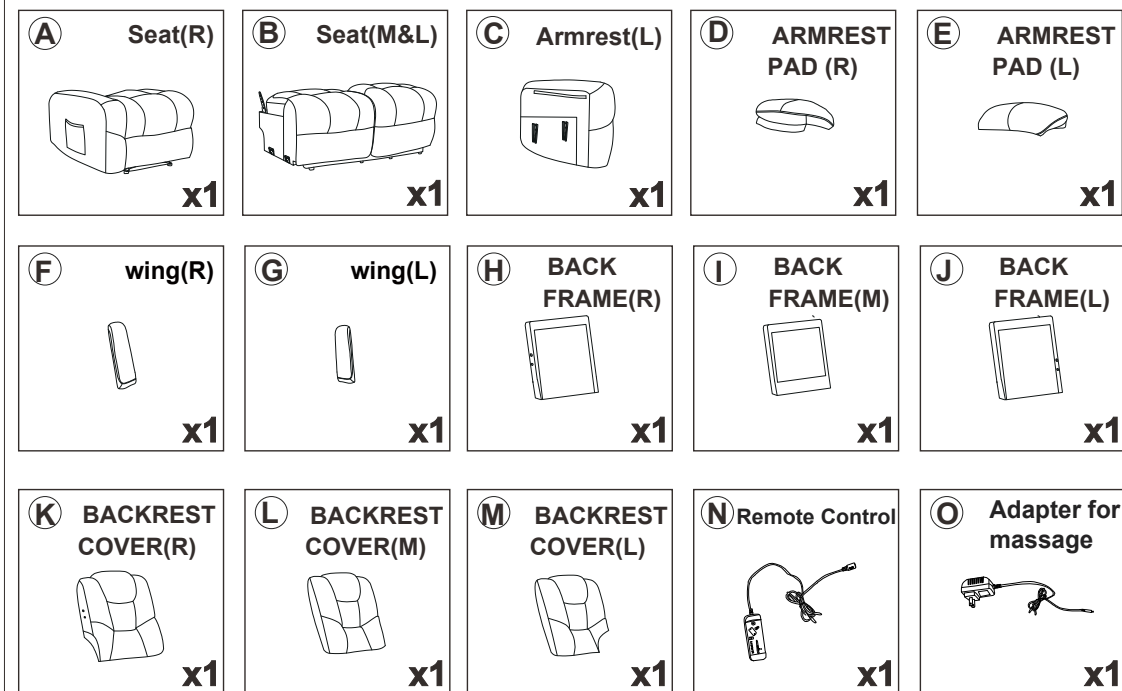
Contemporary Sofa



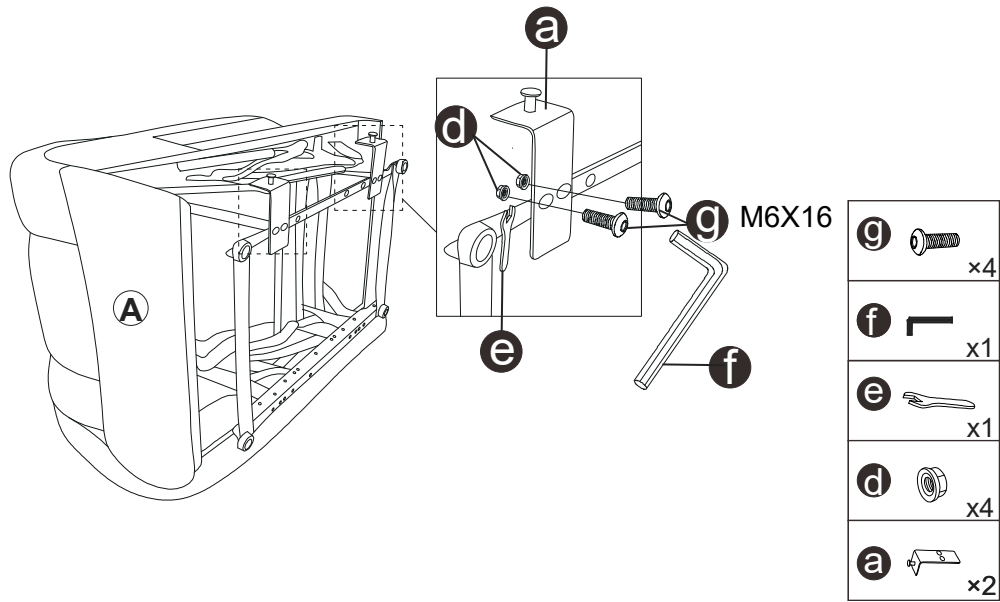
Hardware parts



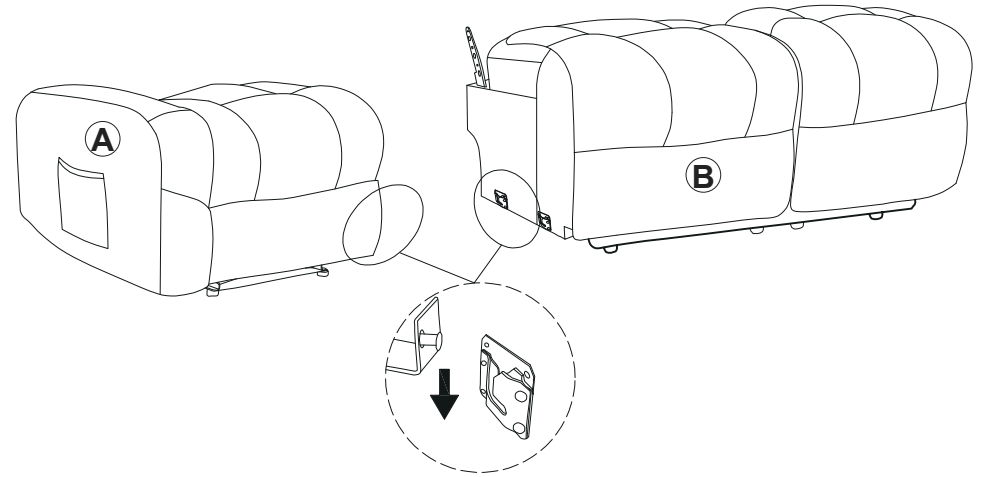
Main structure accessories



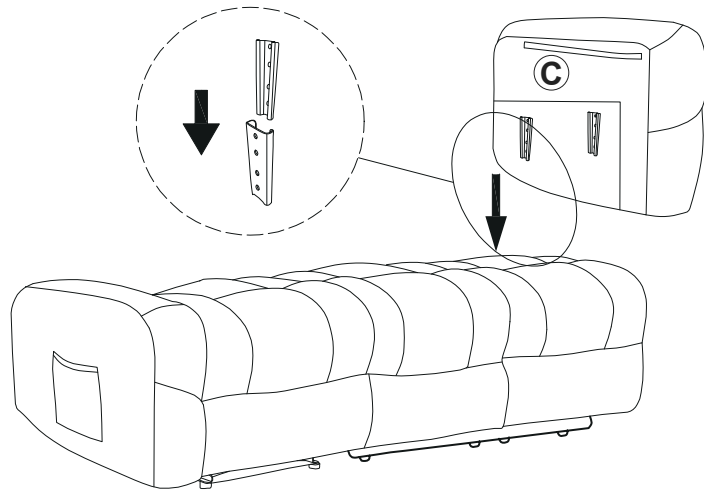
STEP 1



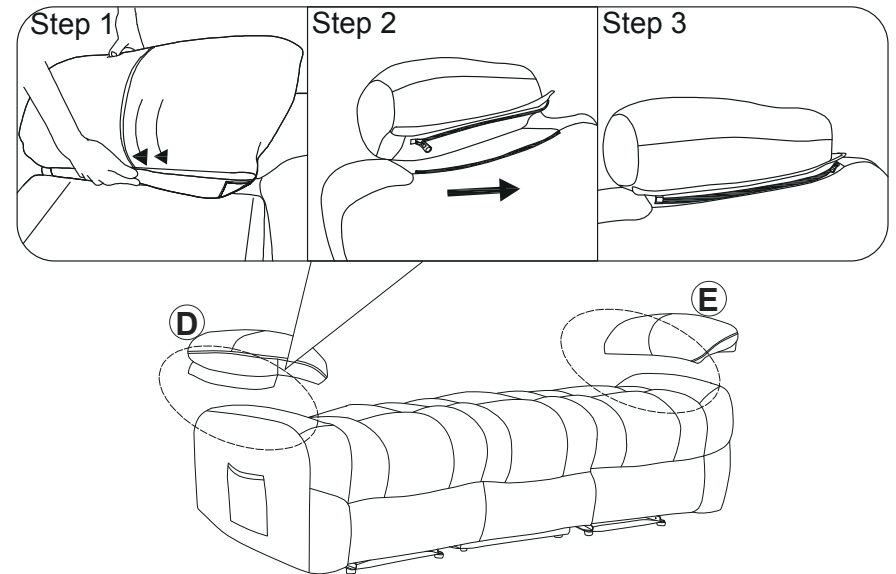
STEP 2



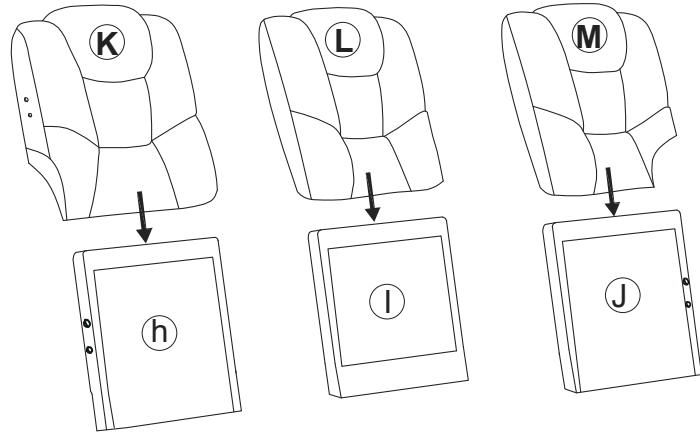
STEP 3



STEP 4



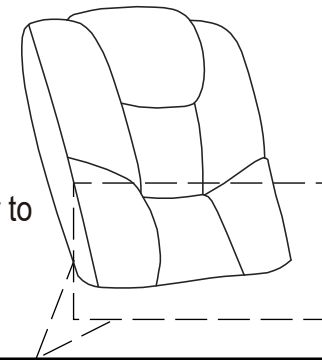
STEP 5



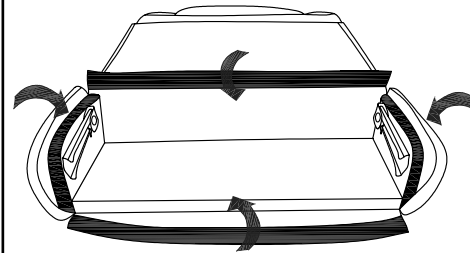
Please pay attention to distinguish the left and right backrest covers and back frames.

STEP 6

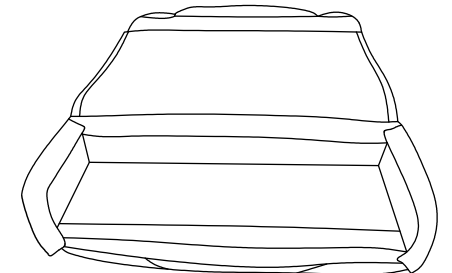
Attach the Nylon Fastener to the back frame



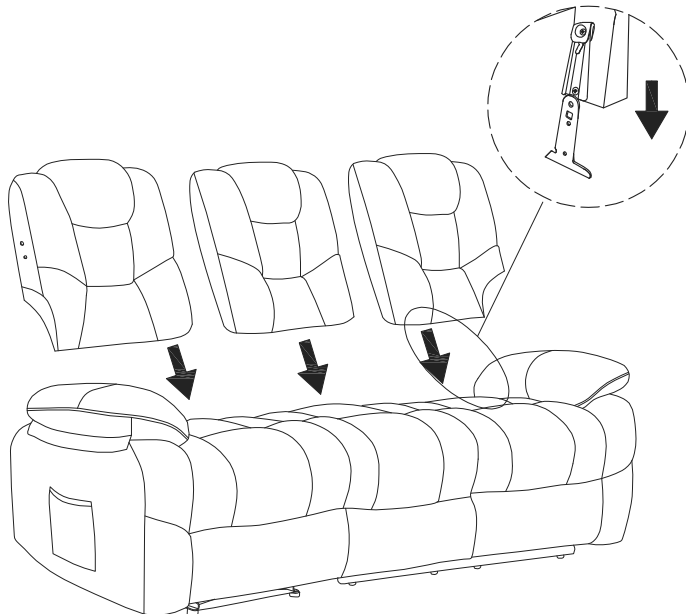
Step 1



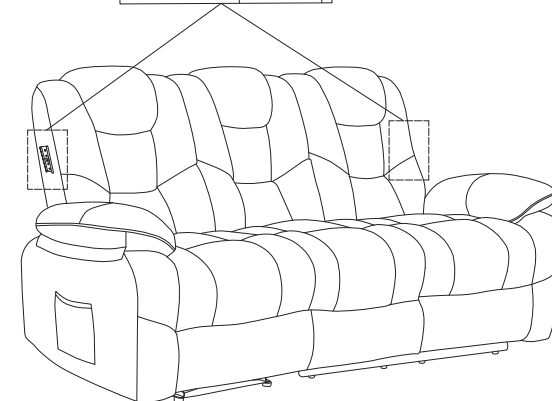
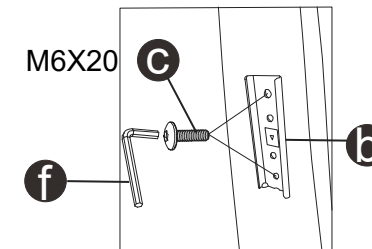
Step 2



STEP 7

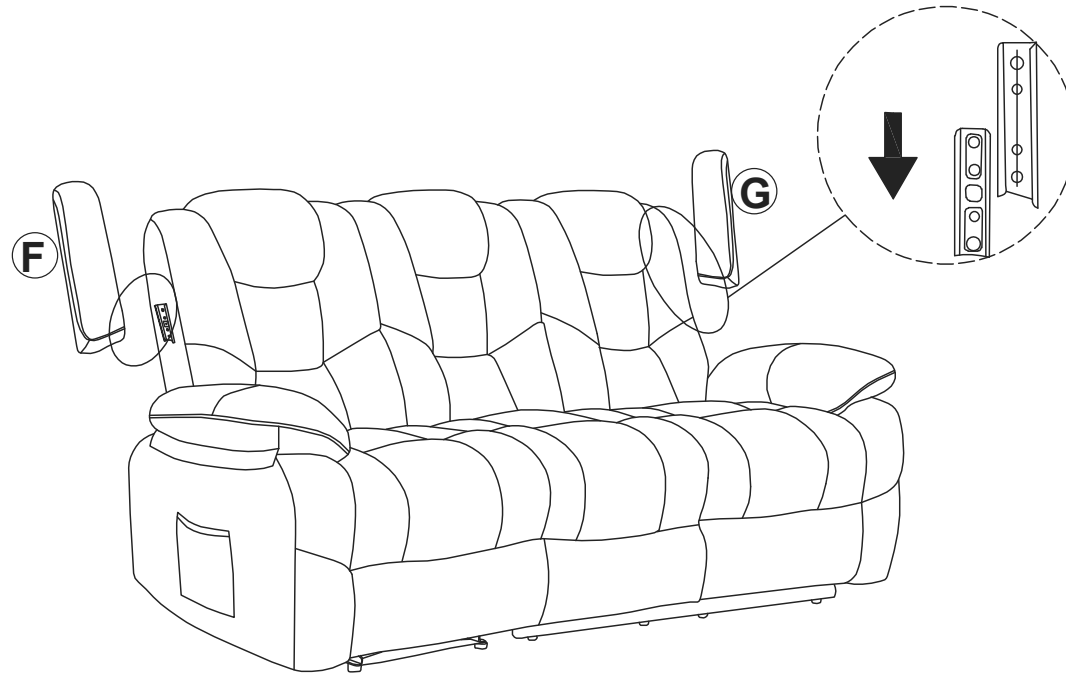


STEP 8

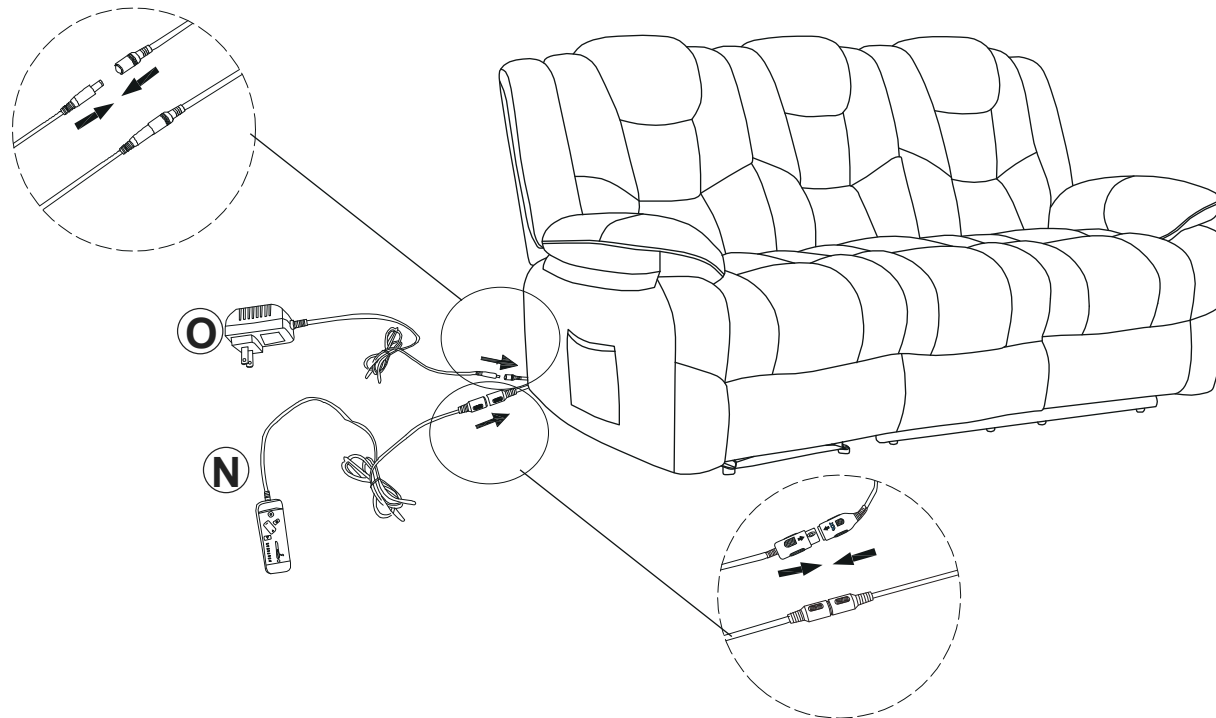


f		x1
c		x4
b		x2

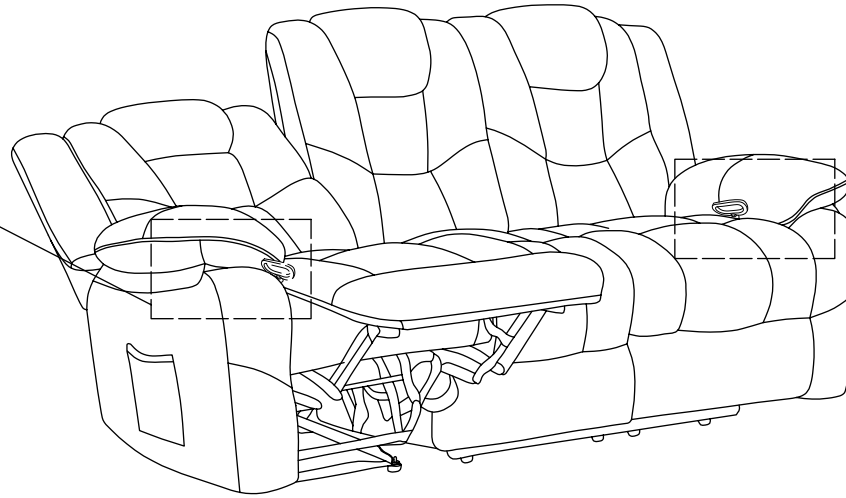
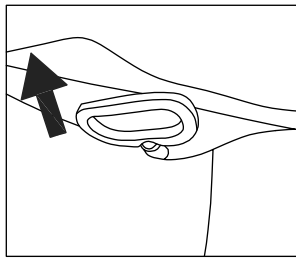
STEP 9



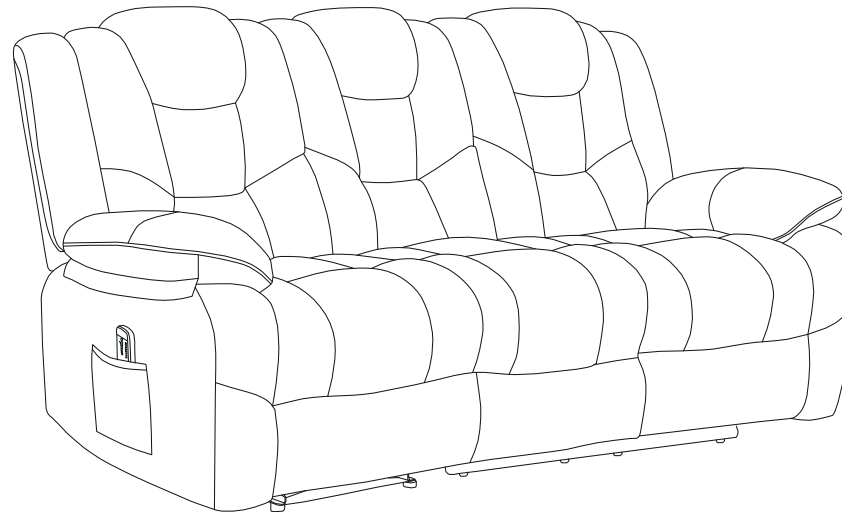
STEP 10



STEP 11



STEP 12



STEP 13

