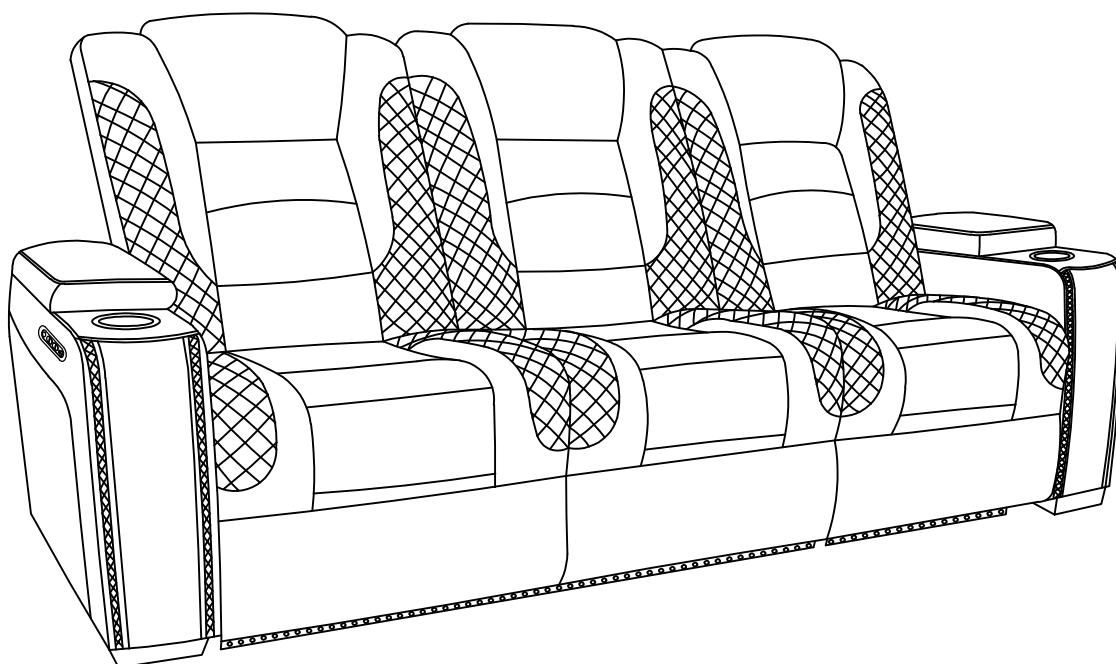


Party Time Dual Power Recliner - 3 Seats

Assembly Instructions - Please keep for future reference



Dimensions

Width - 85.5inch

Depth - 37inch

Height - 41inch

Delivered with TWO PACKAGES with TWO TRACKINGS, may NOT be delivered at the same time.

Any question please feel free to contact us:
support@jocisland.com TEL:(901) 347-2181
We will provide further assistance within 24 hours.

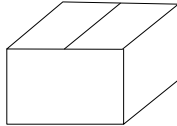
Important – Please read these instructions fully before starting assembly

Seller's Notice:





Our product is packed in separate boxes as shown below, and they might be shipped in different batches. Please wait until you received all the boxes then start the assembly.
Noted: Assembly instruction is only provided in Box1.

The following is the list of components contained in each box.


BOX 1








Main structure accessories

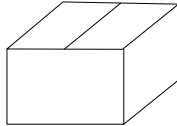
Ⓐ		Left Arm	x1
Ⓔ		Right Backrest	x1
Ⓕ		Right Seat	x1
Ⓖ		Crossbar	x2

Structure accessories

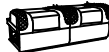


⒣		Plug	x1
---	---	------	----

Ⓙ		Bolt	x6
Ⓚ		Flat Washer	x18
Ⓛ		Bolt	x18
Ⓜ		Allen Key	x1
Ⓝ		Wrench	x1

BOX 2



Main structure accessories

Ⓑ		Seat	x1
Ⓒ		Left Backrest	x1
Ⓓ		Middle Backrest	x1



Safety and Care Advice

Important – Please read these instructions fully before starting assembly

- Check you have all the components and tools listed on the following pages.
- Remove all fittings from the plastic bags and separate them into their groups.
- Keep children and animals away from the work area, small parts could choke if swallowed.
- Make sure you have enough space to layout the parts before starting.

- During assembly do not stand or put weight on the product, this could cause damage.
- Assemble the item as close to its final position (in the same room) as possible.
- Assemble on a soft level surface to avoid damaging the unit or your floor.
- Parts of the assembly will be easier with 2 people.



power drill is set on a low torque setting.

- To reduce the likelihood of damaging your product please ensure that your

Care and maintenance

- Only clean using a damp cloth and mild detergent, do not use bleach or abrasive cleaners.
- From time to time check that there are no loose screws on this unit.
- This product should not be discarded with household waste. Take to your local authority waste disposal centre.

Handy Hints

- Assemble all parts and bolts loosely during assembly, only once the product is complete should you fully tighten the bolts
- Regularly check and ensure That all bolts and fittings are tightend properly.

WARNING

In order to help prevent overturning – please follow these instructions

To help prevent product toppling over please follow the below steps:-

- Use the anti tip stap or wall fixing method provided (if applicable)
- Do not allow children to climb or hang on the furniture
- Do not open more than one drawer at a time
- Do not place heavy items in the top drawers
- Do not place heavy items on top of the furniture, unless the furniture has been designed for this purpose

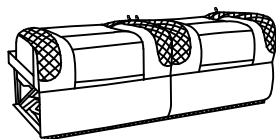
please note that only the anti tip strap is provided.
You will need to provide wall plugs and screws applicable for your wall type

Components - Parts

Please check you have all the panels listed below



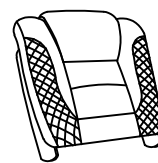
AX1



BX1



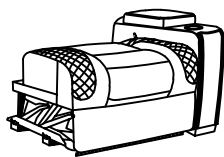
CX1



DX1



EX1



FX1



GX2








HX1

Components - Fittings

Please check you have all the hardware listed below

Note: The quantities below are the correct amount to complete the assembly. In some cases more fittings may be supplied than are required.

<p>J  1/4" Bolt x 6</p>	<p>K  1/4"*19*1.5 Flat Washer x 18</p>	<p>L  1/4"*40 Bolt x 18</p>
<p>M  M4*75 Allen Key x 1</p>	<p>N  12mm Wrench x 1</p>	

Tools required

 Phillips screwdriver (medium & large)

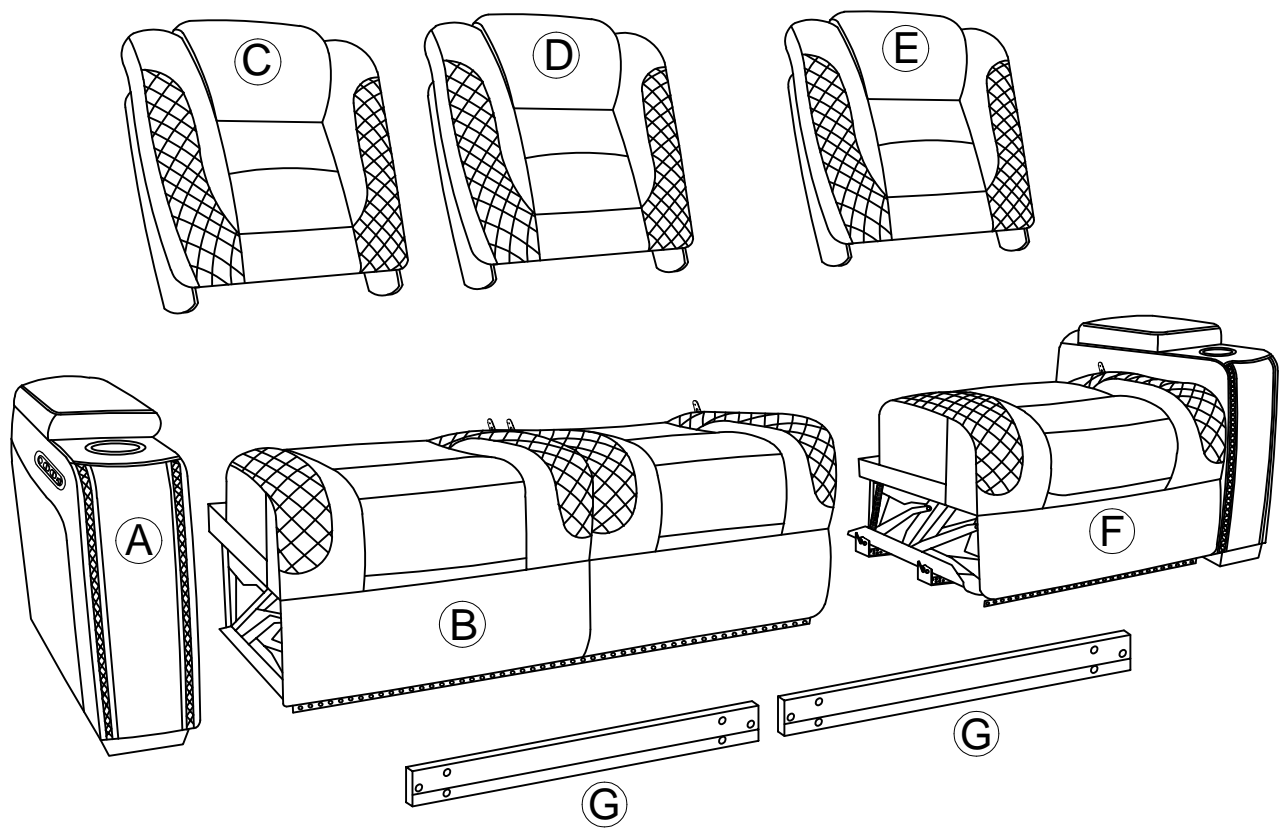
Ruler - Use this ruler to help correctly identify the screws

0 5 10 15 20 25 30 35 40 45 50 55 60 65 70 75 80 85 90 95 100 105 110 115 120 125 130 135 140 145 150 155 160 165 170



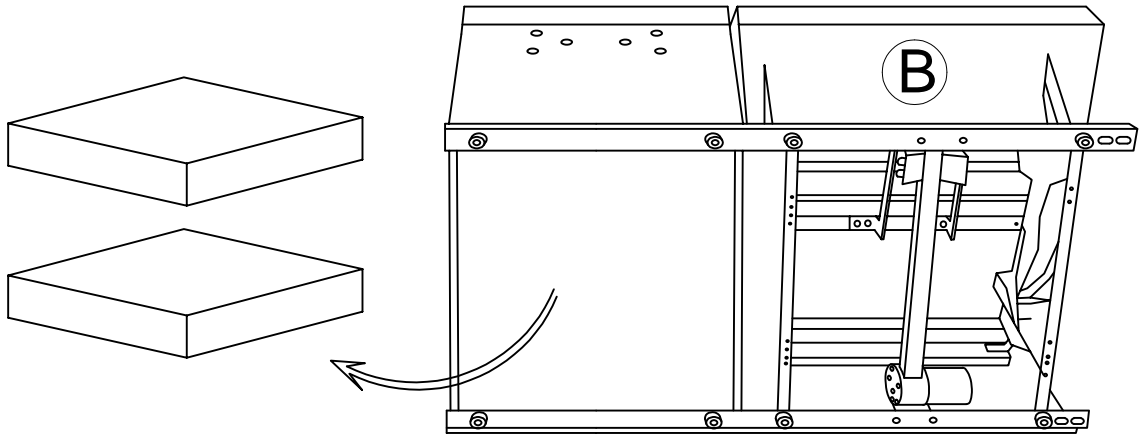
The screws length is measured from the head to the point (30mm screw shown).

Assembly Instructions

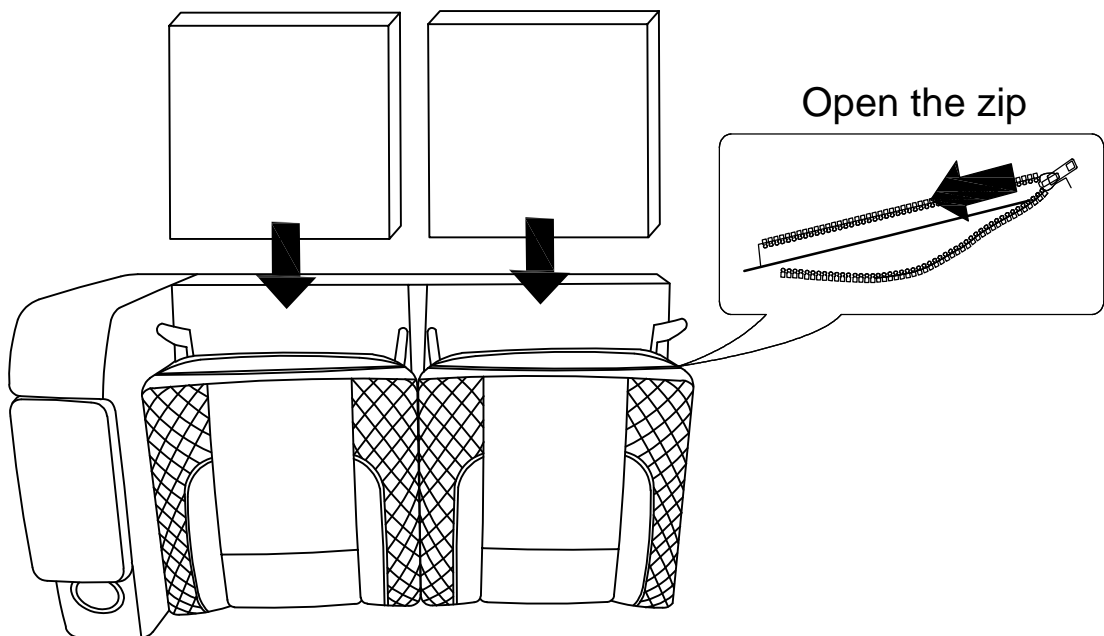


Assembly Instructions

Step 1

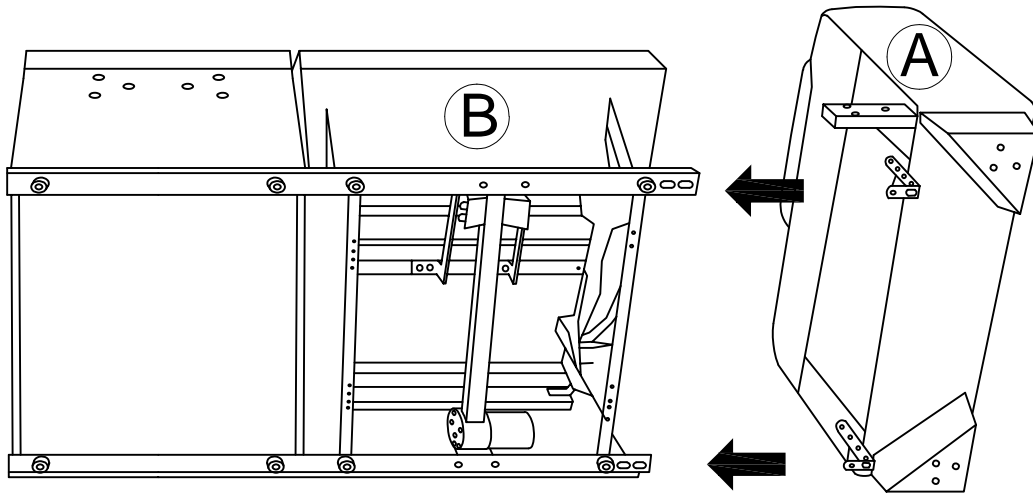


Step 2

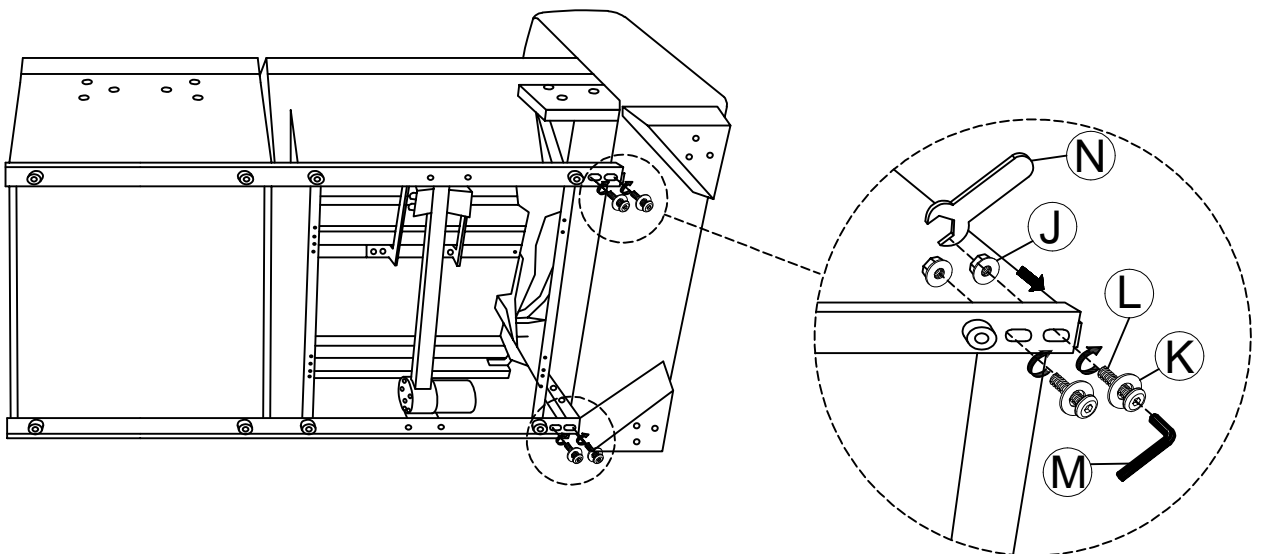
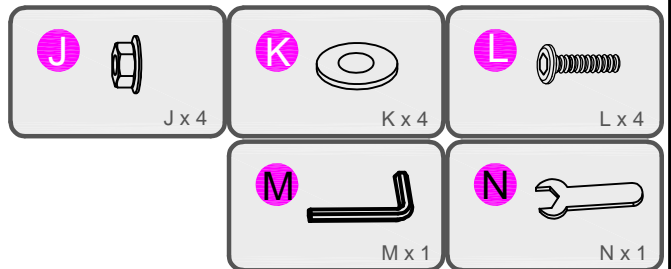


Assembly Instructions

Step 3

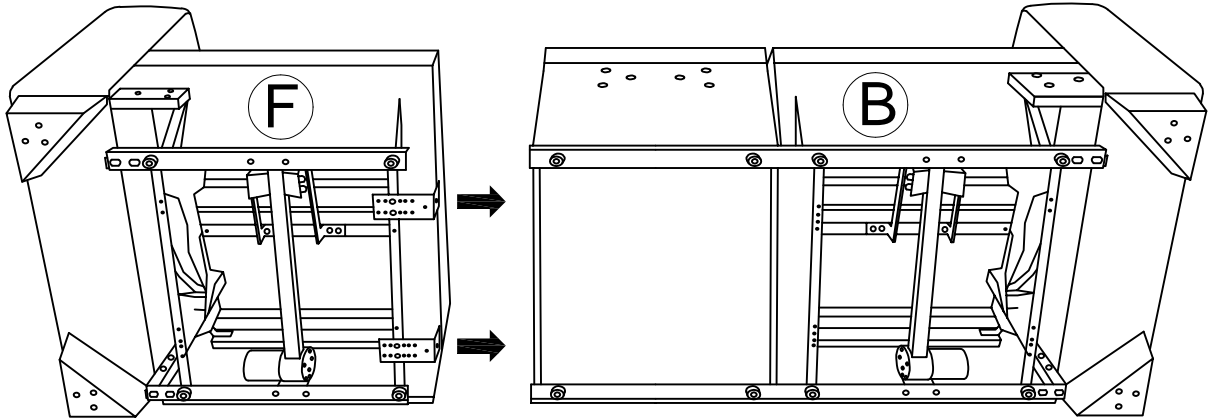


Step 4

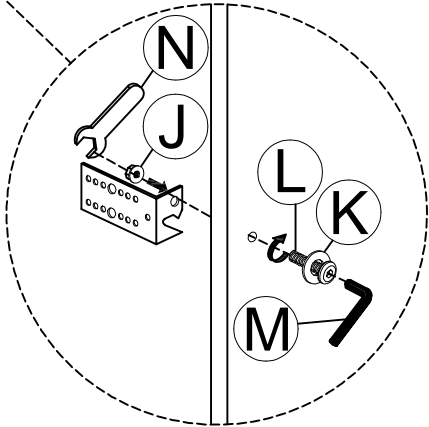
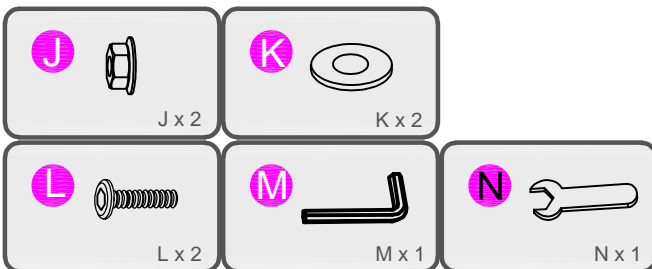
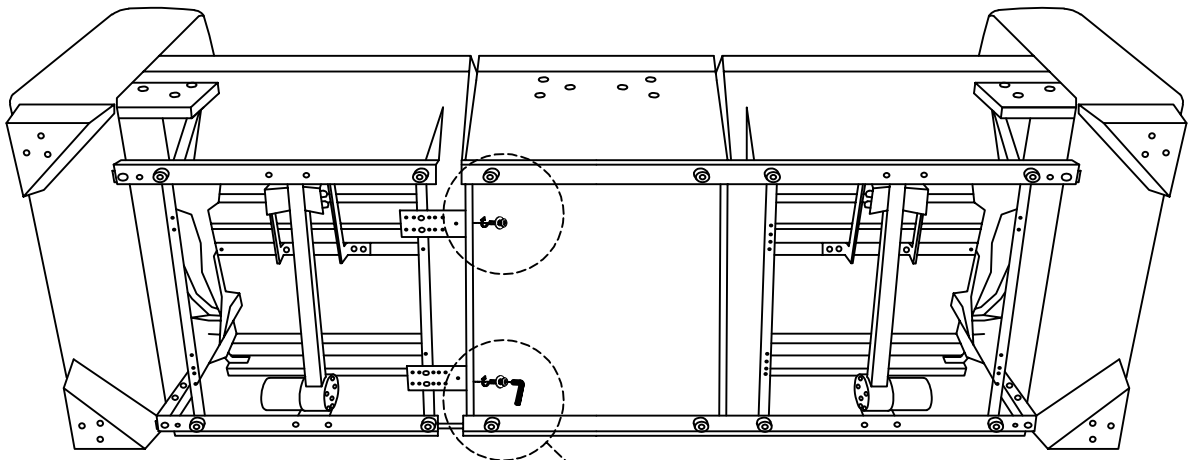


Assembly Instructions

Step 5

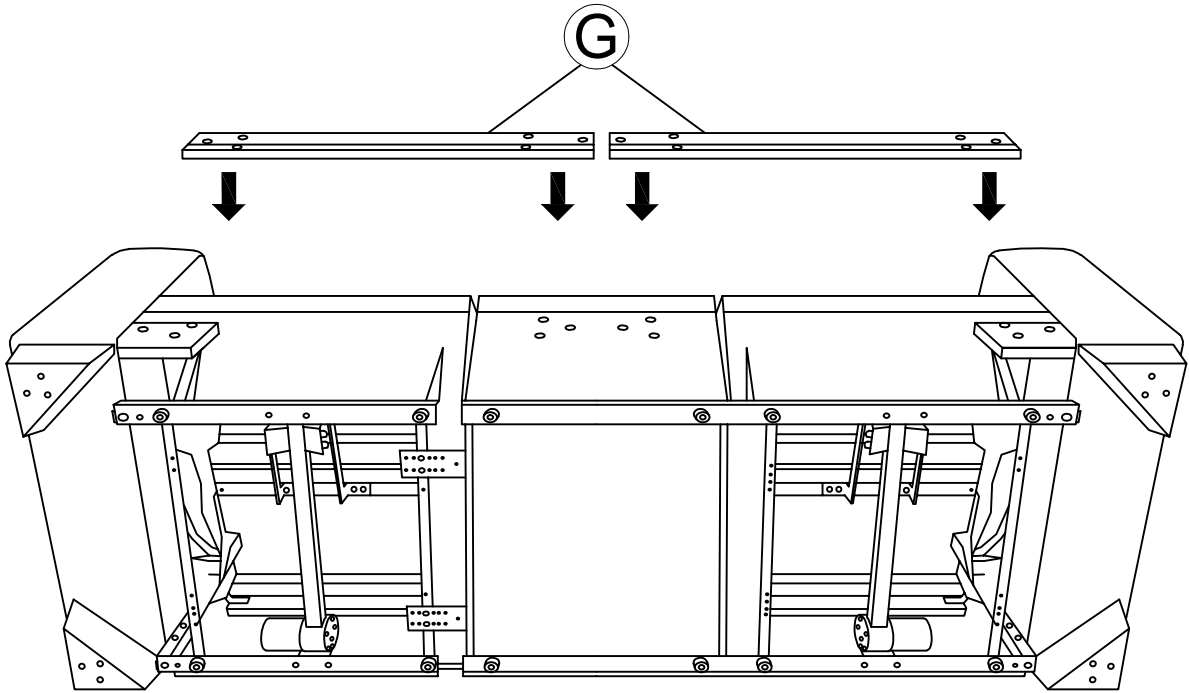


Step 6

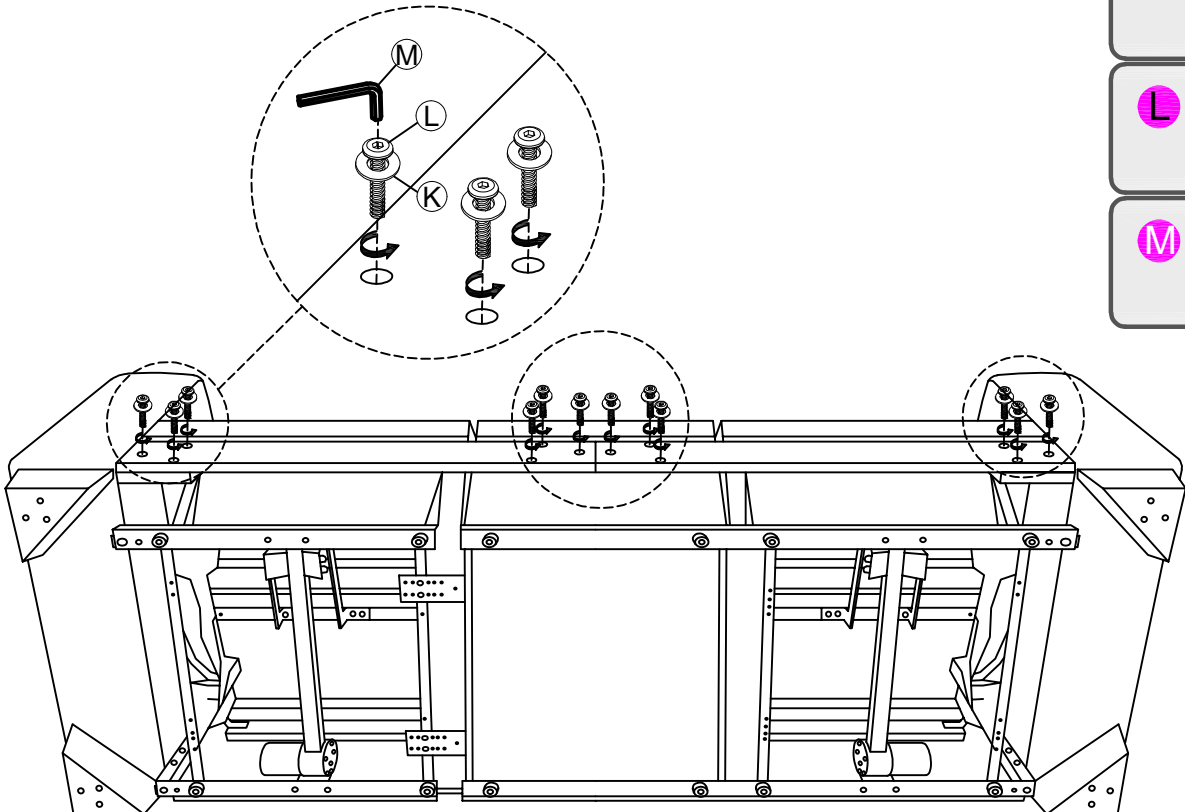


Assembly Instructions

Step 7

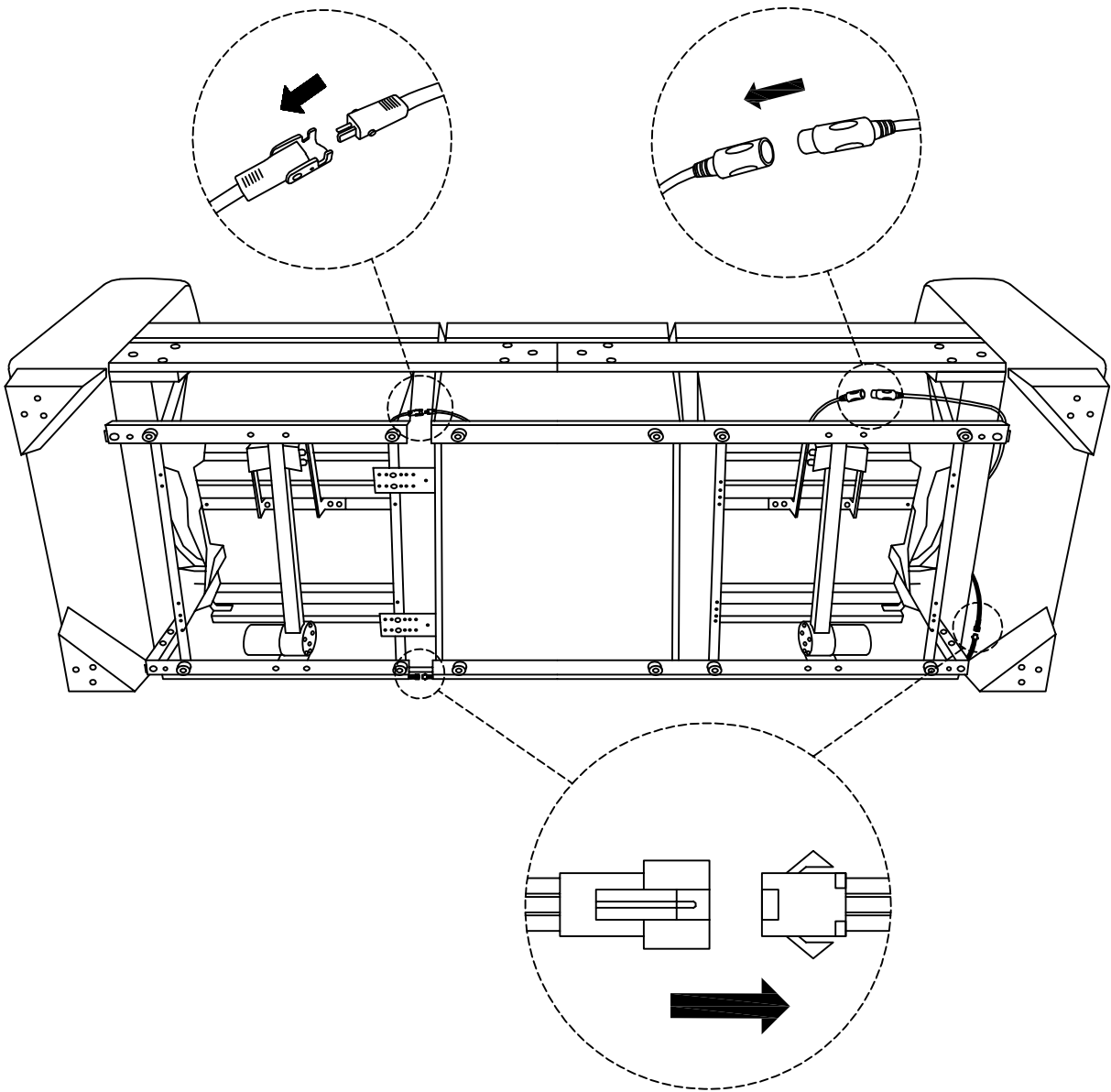


Step 8



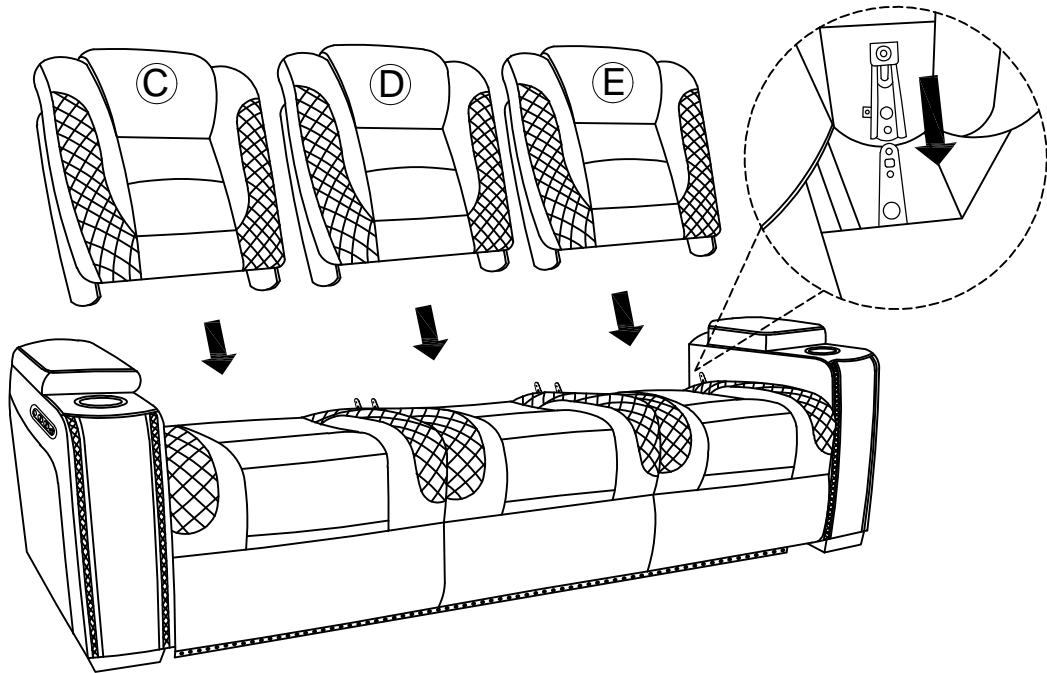
Assembly Instructions

Step 9

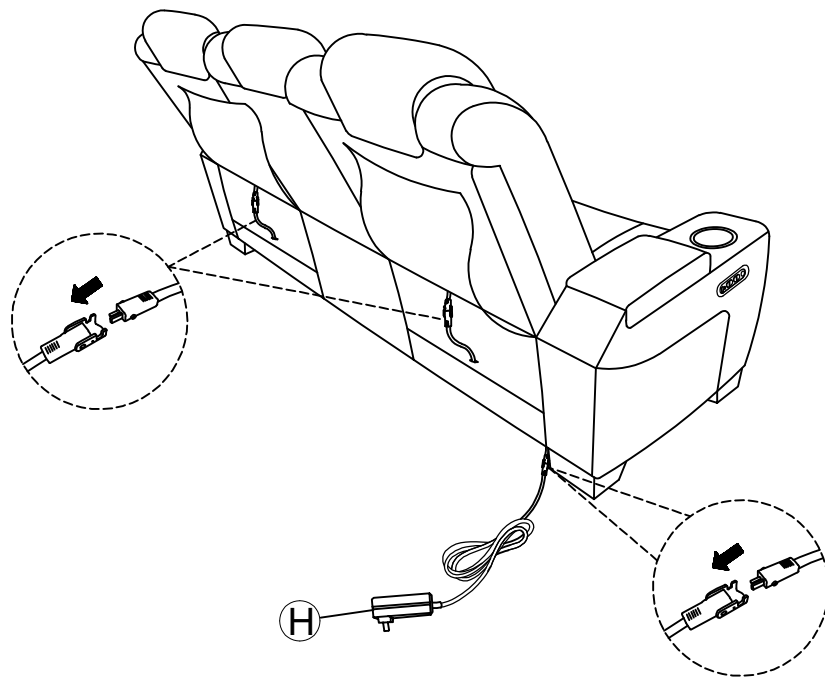


Assembly Instructions

Step 10

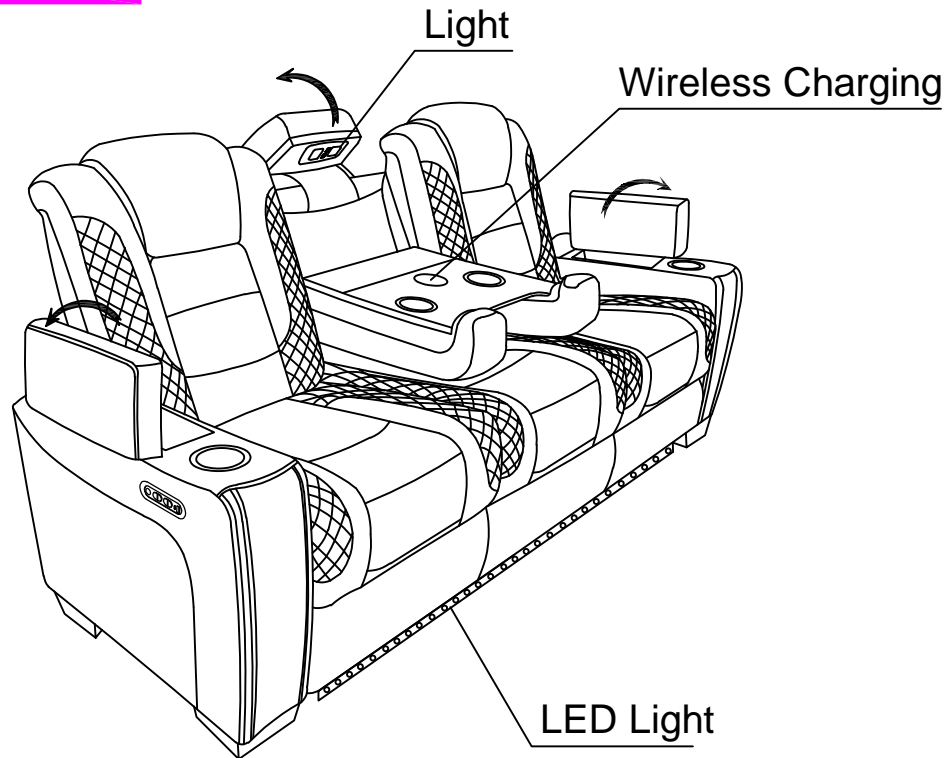


Step 11



Assembly Instructions

Step 12



Step 13

