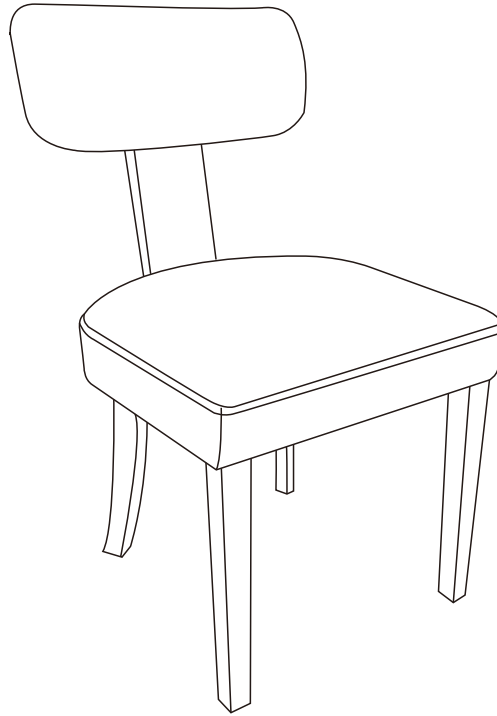


DINING CHAIR

Assembly Instruction

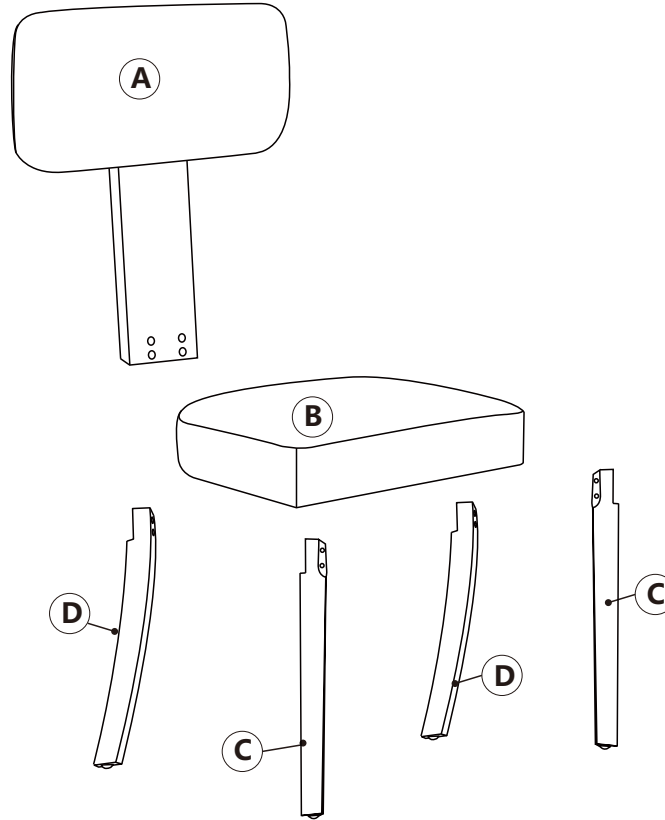


Any question please feel free to contact us:
TEL: 901-347-2181
We will provide further assistance within 24 hours.






Dear Customers,

Thank you for purchasing our product. Please read this instruction manual carefully after receiving this product. It will help you assemble this product quickly, safely and correctly. You can keep this manual for future reference.

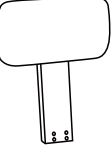



CHAIR



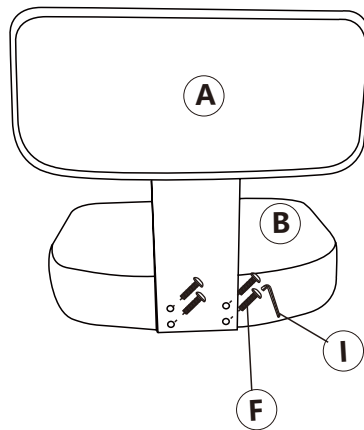
Hardware parts

E	Bolts M8x50 mm	F	Bolts M6x55 mm	H	Washers M8	I	Wrench M6	J	Plastic caps
									
x8		x4		x8		x1		x4	

Main structure accessories

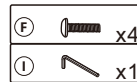
A	Backrest	B	Seat	C	Front Legs	D	Back legs
							
x1		x1		x2		x2	

STEP1

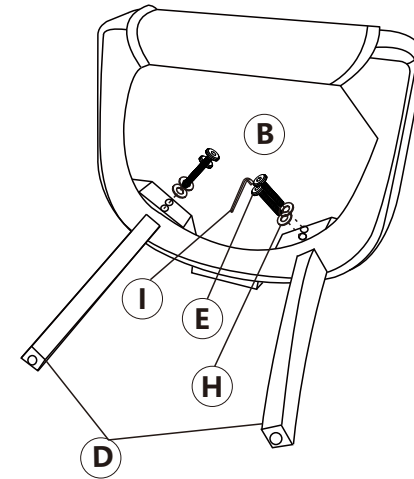


Note:

Screwing **F** on the chair (tighten 80% of screws first), It might help you assemble more easily.

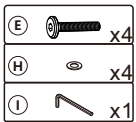


STEP2

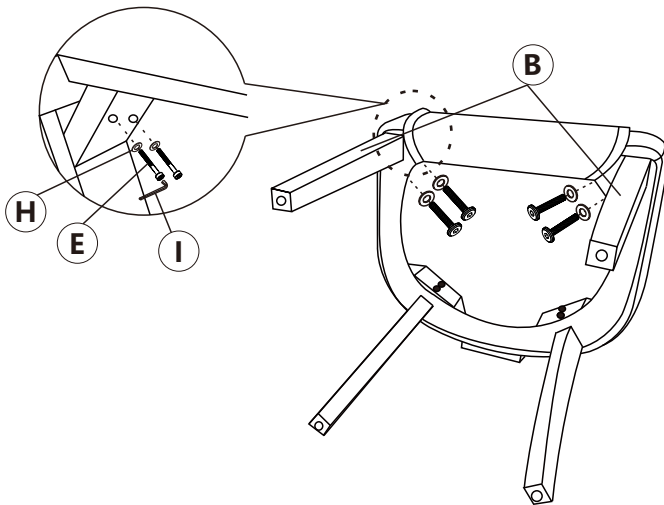


Note:

Screwing **E** on the chair (tighten 80% of screws first), It might help you assemble more easily.

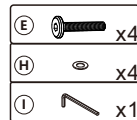


STEP3

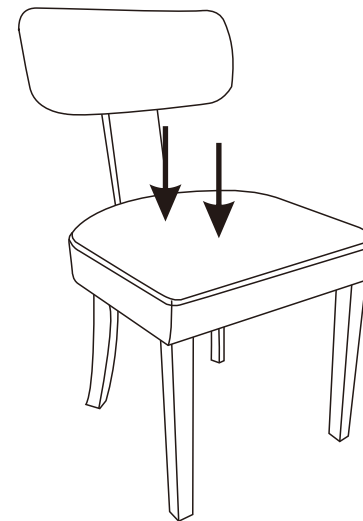


Note:

Screwing **E** on the chair (tighten 80% of screws first), It might help you assemble more easily.



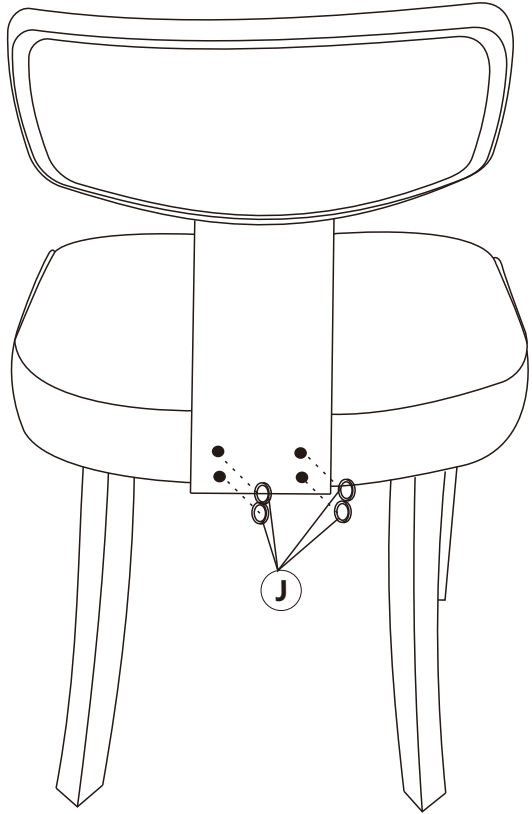
STEP4



Note:

Ensure the chair is stable on the ground and doesn't require any adjustments, then tighten all screws to 100%.

STEP5



Note:
Put **J** on the chair.



STEP6

