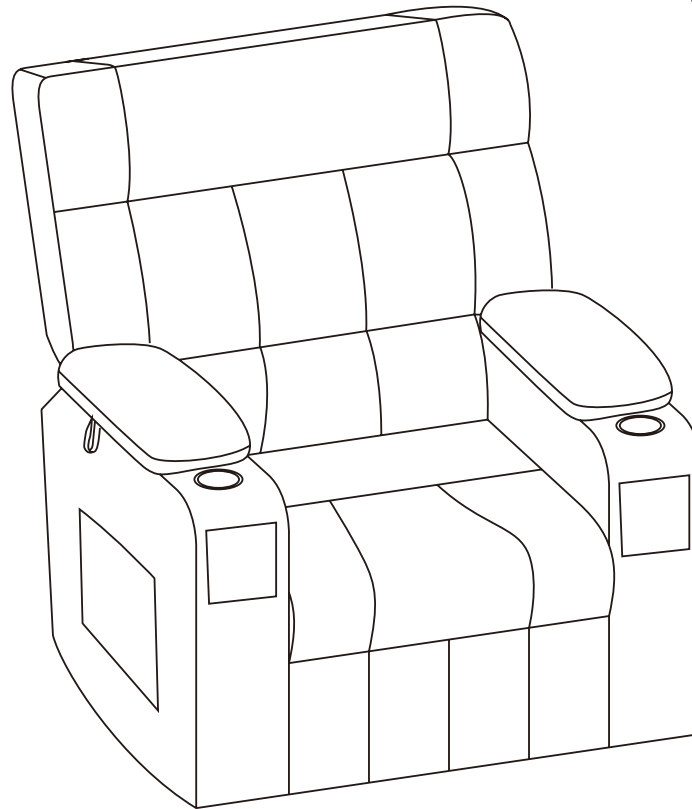


RECLINER

Assembly Instruction

Email:
support@jocisland.com
Service TEL:
901-347-2181



**Any question please feel free to contact us,
We will provide further assistance within 24 hours.**

Dear Customers,

Thank you for purchasing our product. Please read this instruction manual carefully after receiving this product. It will help you assemble this product quickly, safely and correctly. You can keep this manual for future reference.



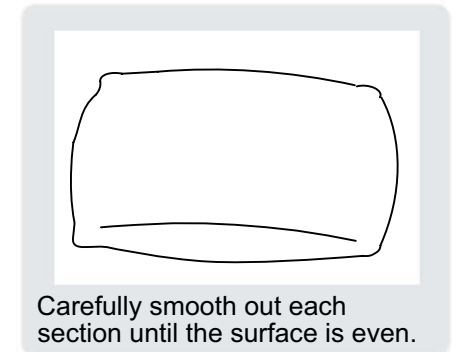
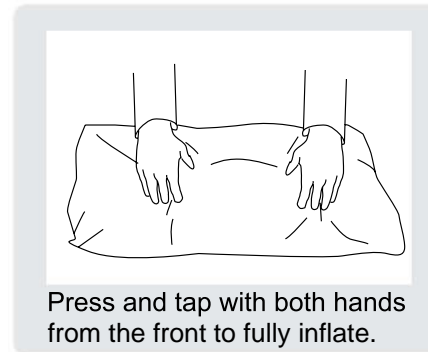
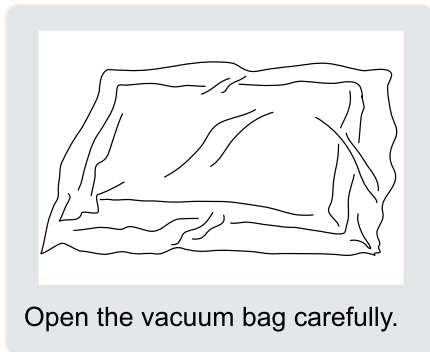
Safety and Care Advice

Important – Please read these instructions fully before starting assembly

Thanks for your purchase. Before assembling, please follow the instructions to check if all the spare parts and screws are intact.

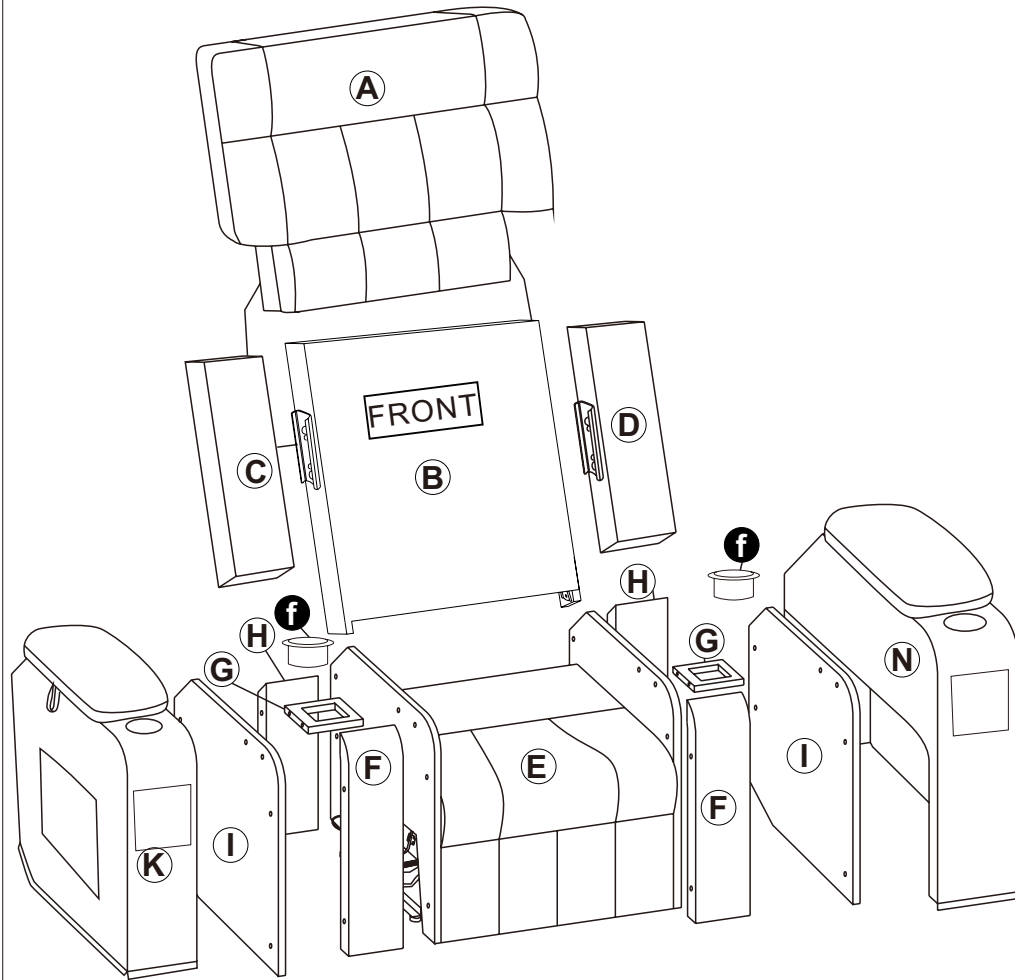
- Considering the size and weight of the sofa, we recommend two adults to assemble the sofa, on a carpeted or padded area, in the room that it is intended for. Approximate assembly time: 30 minutes.
- Keep all components and packaging out of reach of children or animals to avoid the risk of choking or suffocation.
- Please do not throw away any of the packaging or the instruction until you have checked all the components and hardware and the furniture is fully assembled. Please ensure that the packaging is disposed in a safe and environmentally friendly way.
- Please do not take off the cover, and do not wash.

Your cushions come vacuum packed and sealed for shipping. To restore the cushion's original shape, follow the steps below.



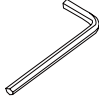








After packing up, place them somewhere dry and ventilated. After about 72-96 hours, it can be restored to the best-use condition.


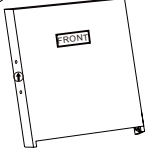


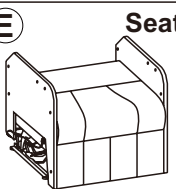

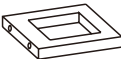




Recliner



Hardware Parts

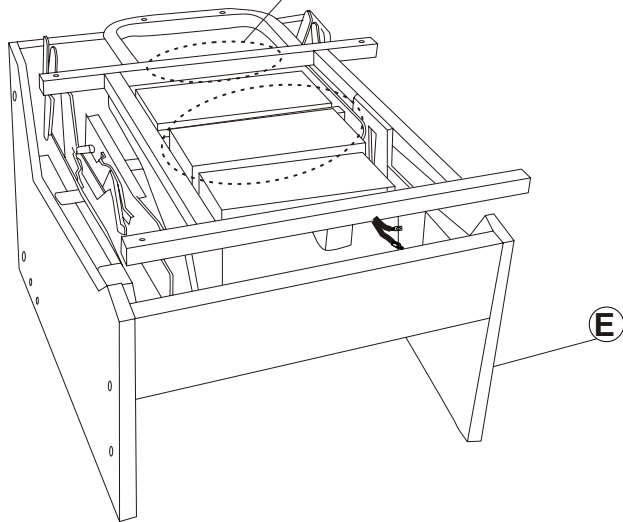
- a** Connector

x2
- b** Bolt

M6*30
x28
- c** Allen Key

x1
- d** Power Cord

x1
- e** Remote Control

x1
- f** Cup Holder

x2
- g** Power Switch

x1
- h** Extension Cord

x1
- i** Adjustable Bolt

x6

Main Structure Accessories

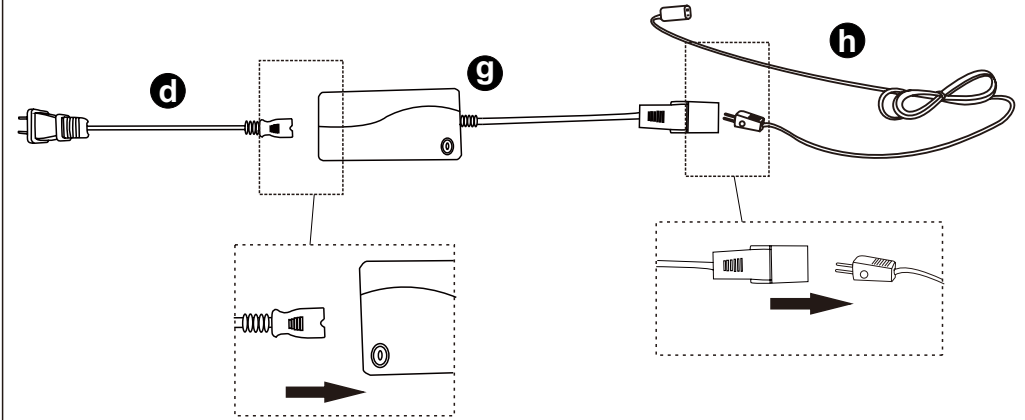
- A** Backrest Cover

x1
- B** Back Frame

x1
- C** Left Wing

x1
- D** Right Wing

x1
- E** Seat

x1
- F** Armrest Front Bezel

x2
- G** Cup Holder Support

x2
- H** Armrest Rear Bezel

x2
- I** Armrest Side Bezel

x2
- K** Armrest(L) Cover

x1
- N** Armrest(R) Cover

x1

STEP 1

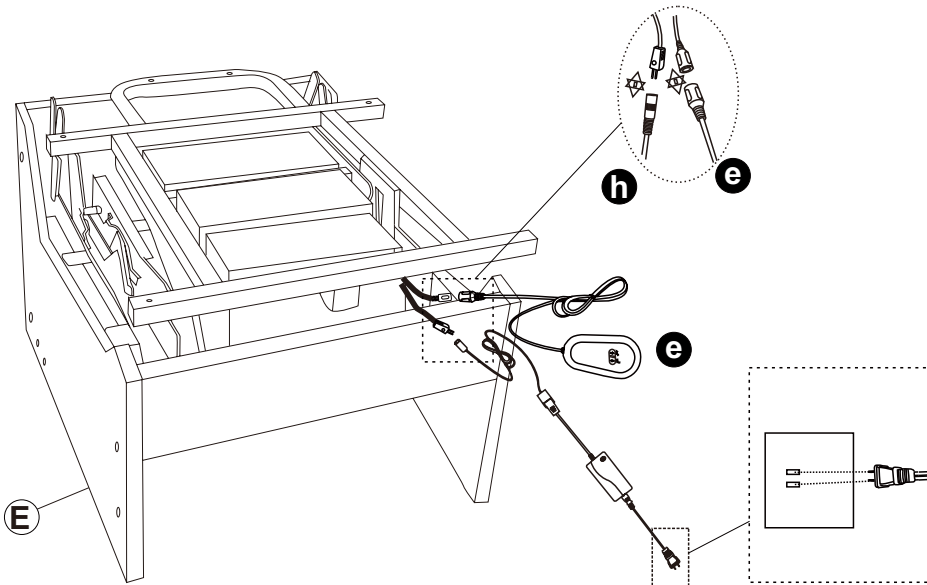
Take out G、d、 e、 g and h from the bottom of E.



STEP 2



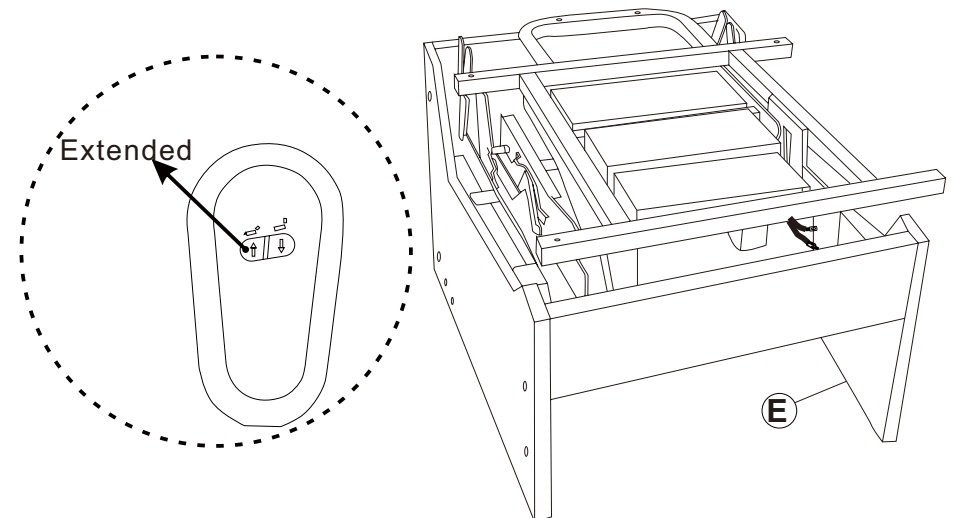
STEP 3



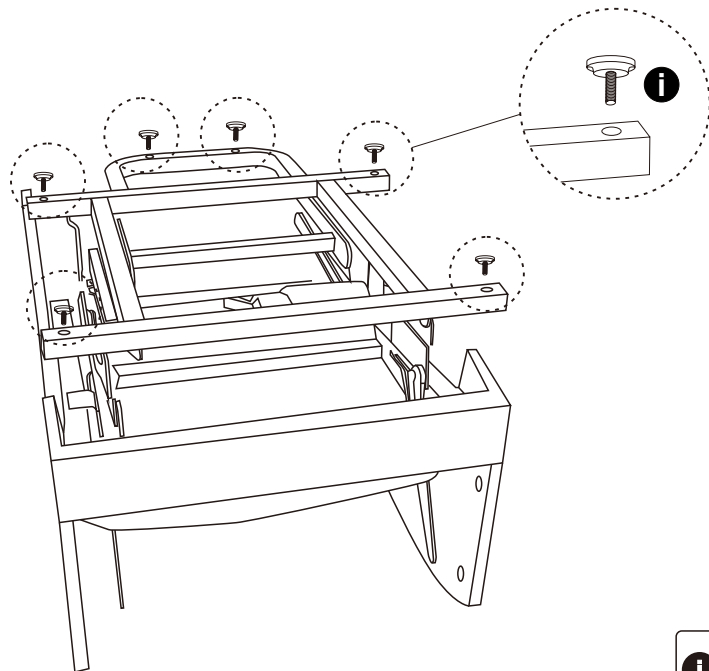
The Extension Cord and the Remote Control connect the corresponding power supply and remote control interface of the bottom of E , and the insert the socket.

STEP 4

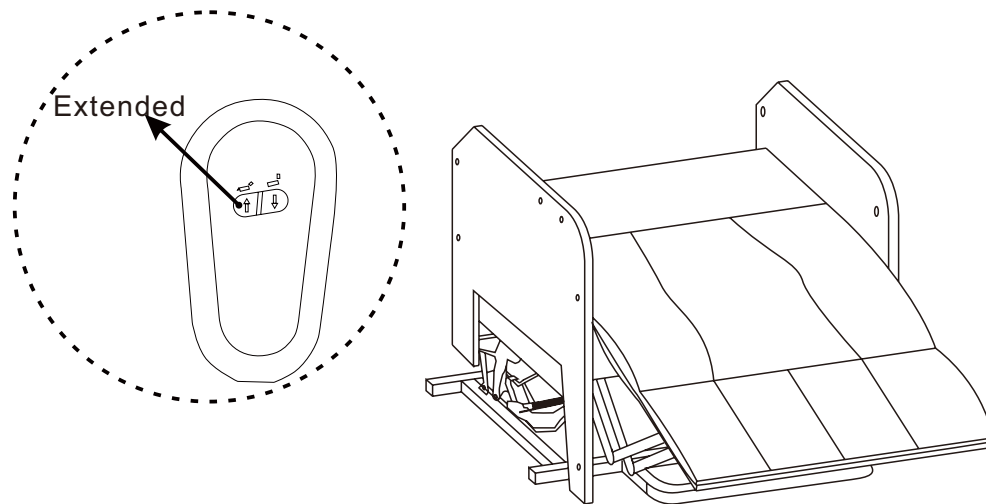
When the baffle is opened to a suitable position, please take F、 H、 K and N from the bottom of the E. Remember to turn it back in place after taking the accessories.



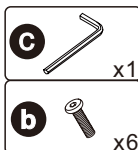
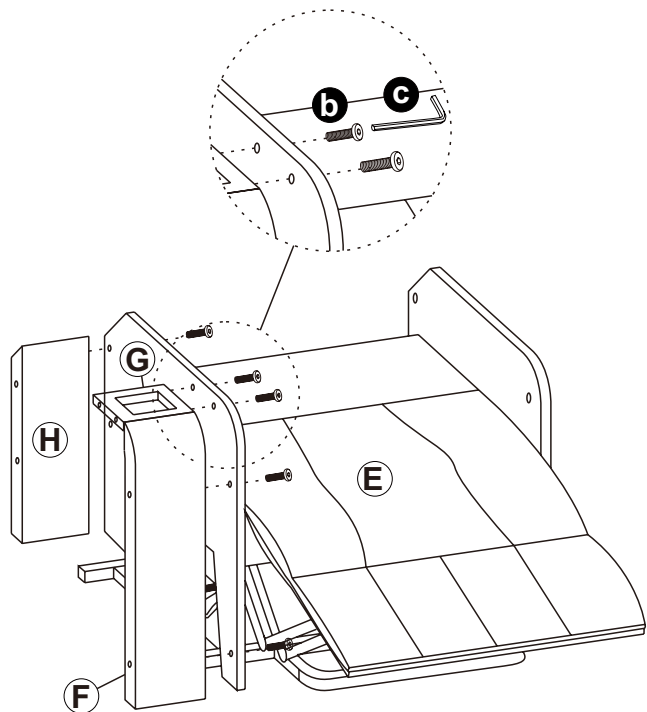
STEP 5



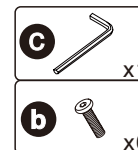
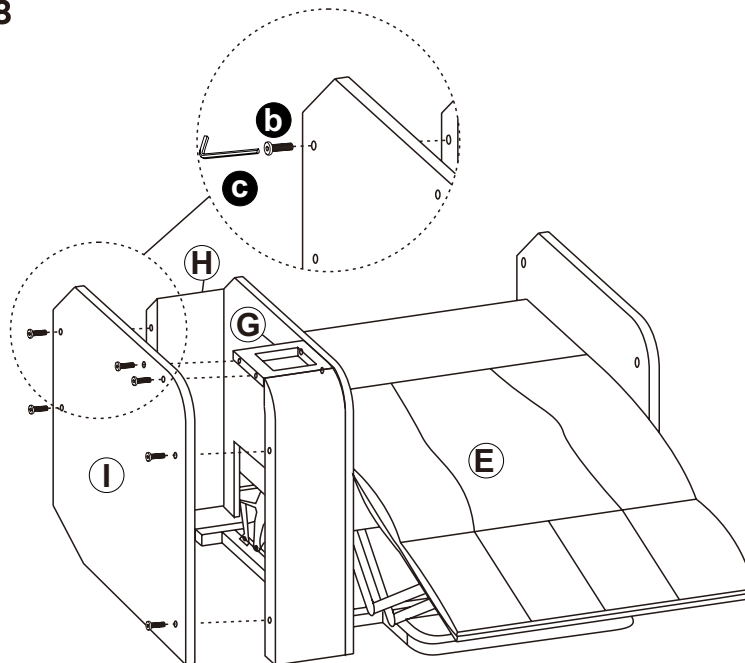
STEP 6



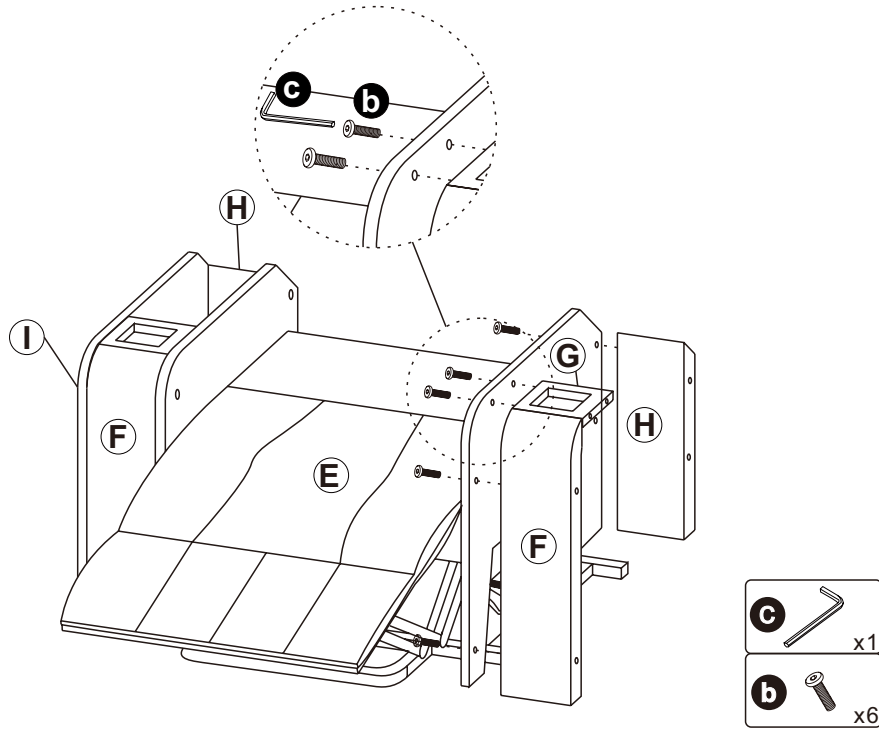
STEP 7



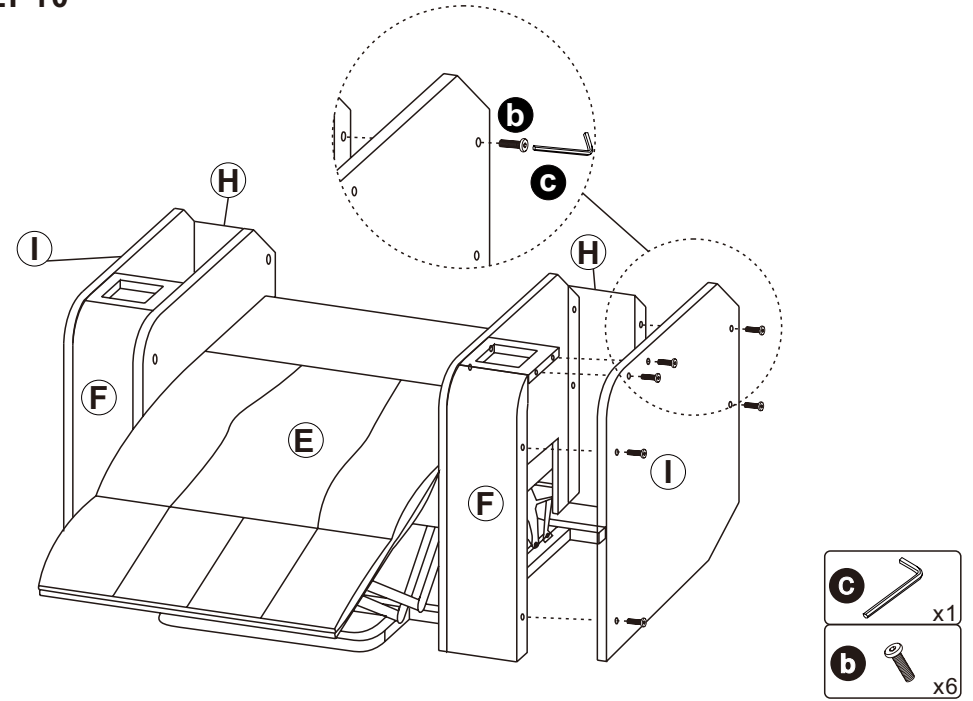
STEP 8



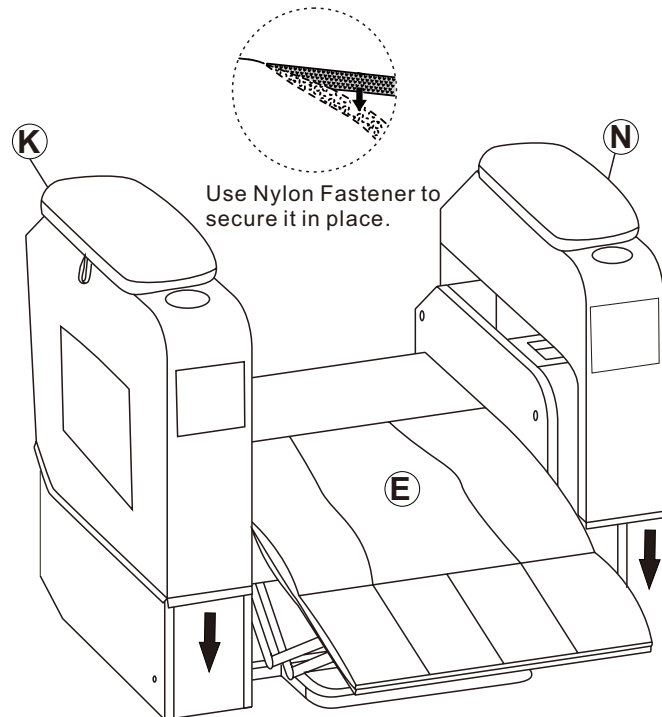
STEP 9



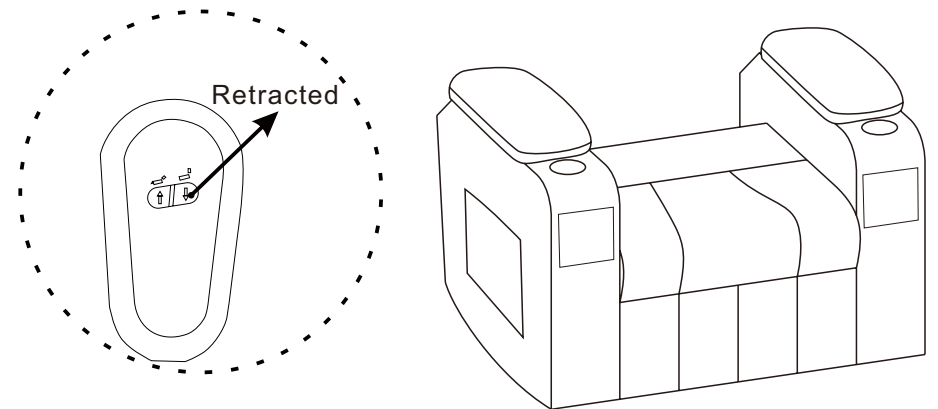
STEP 10



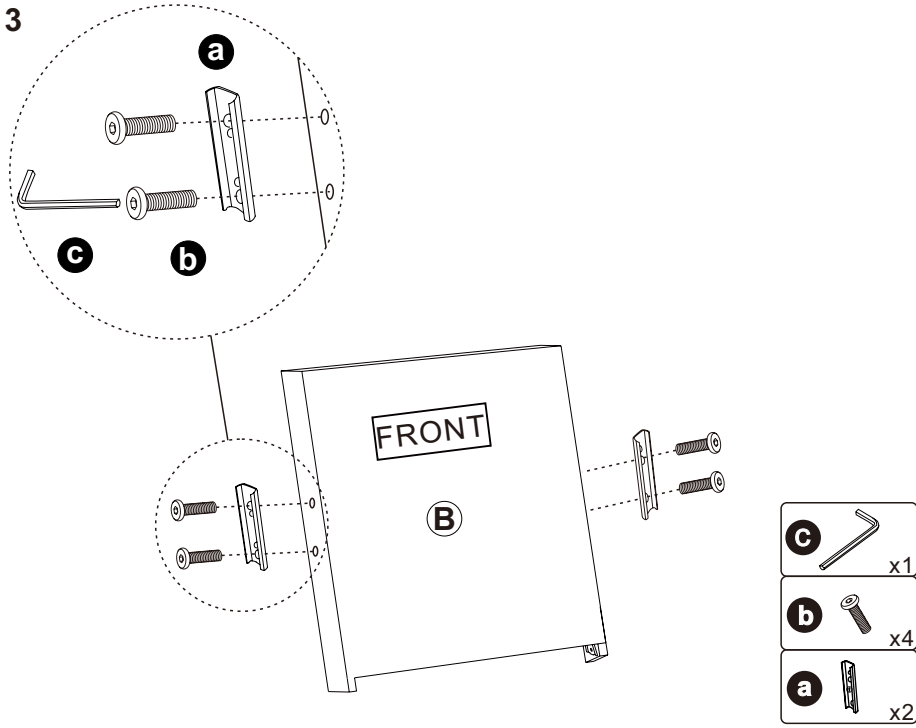
STEP 11



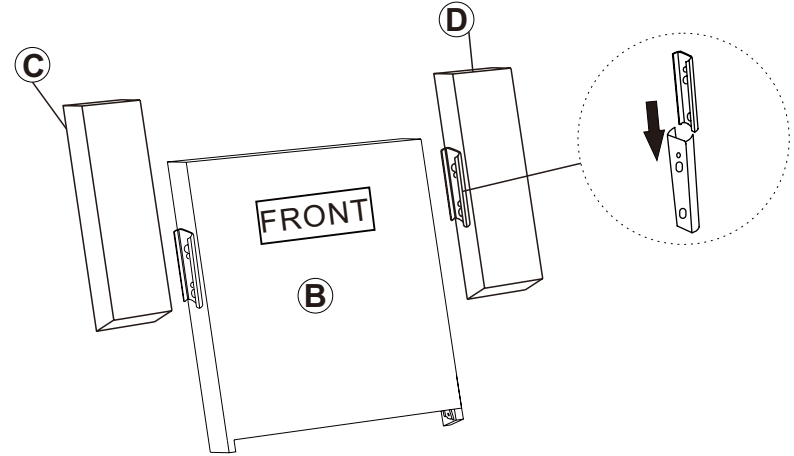
STEP 12



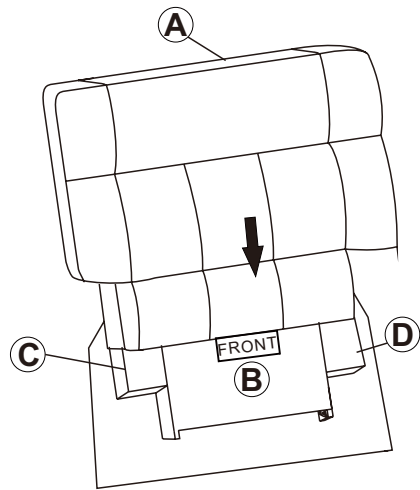
STEP13



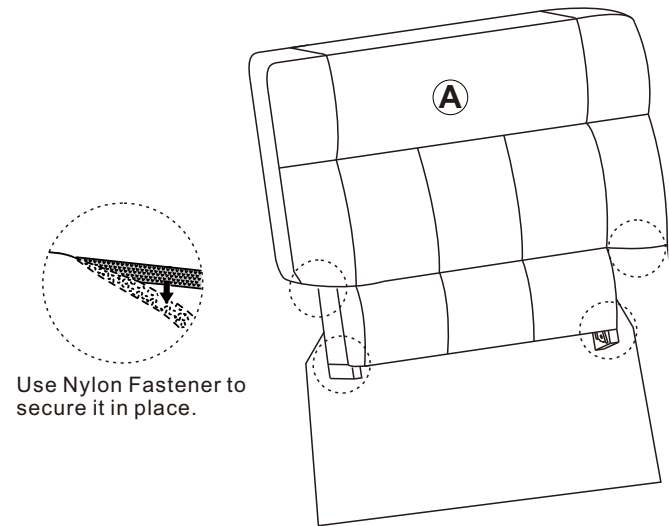
STEP14



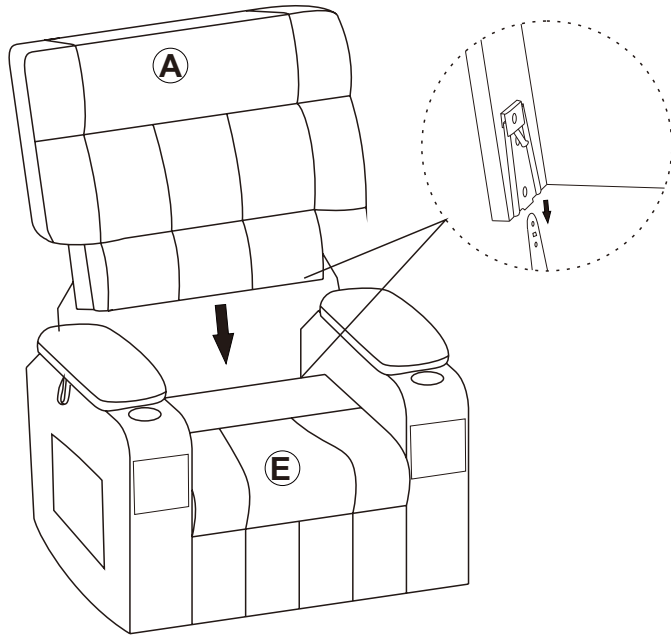
STEP15



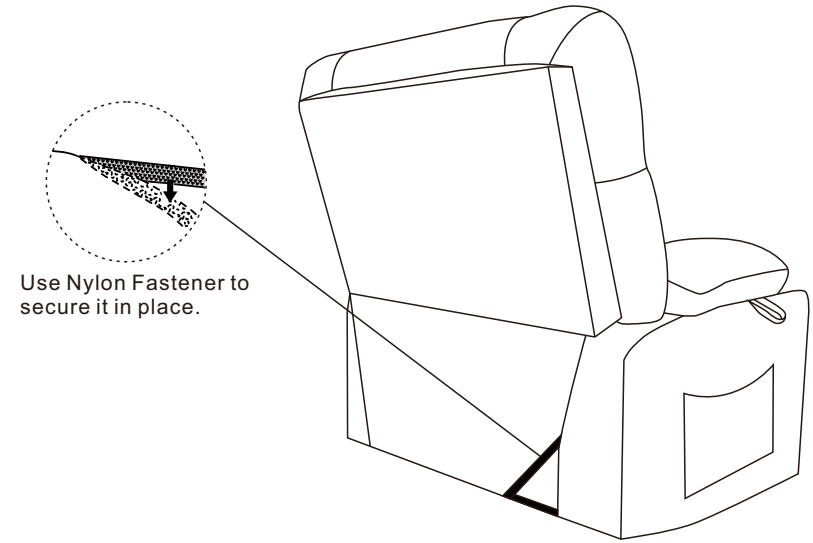
STEP16



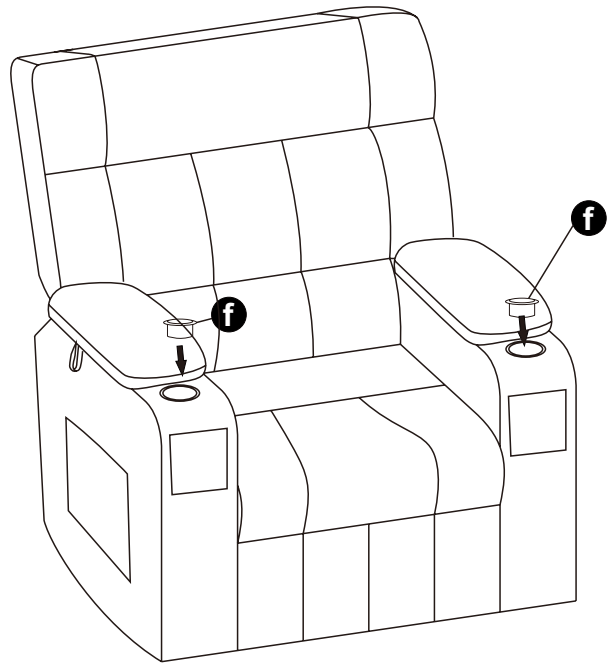
STEP17



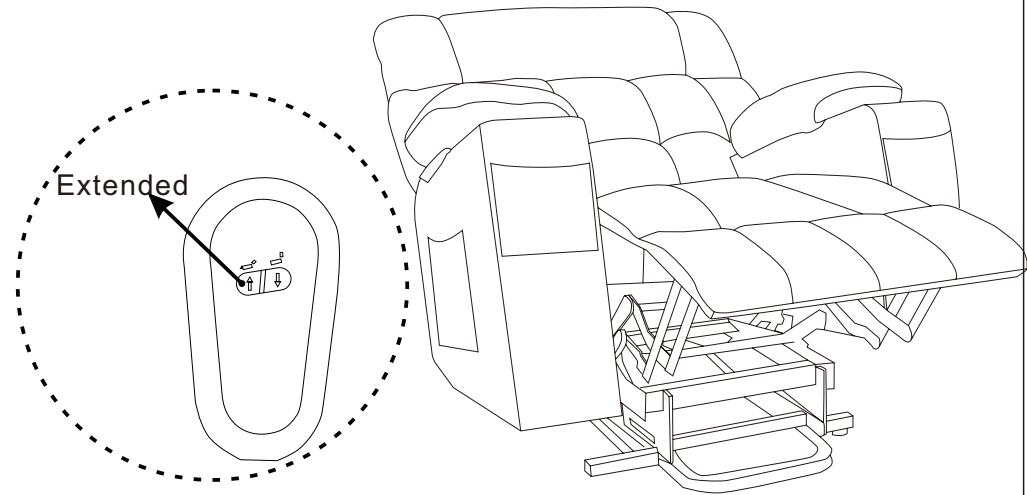
STEP18



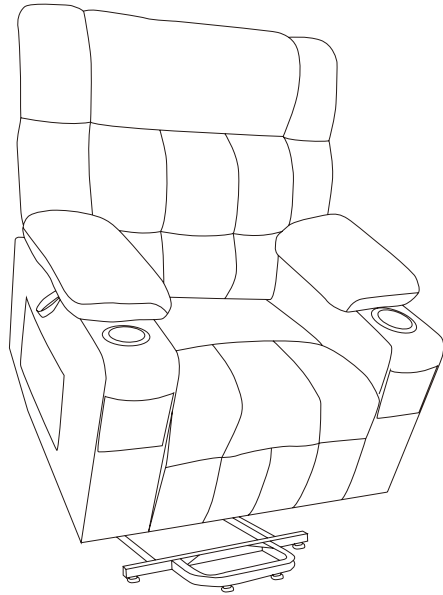
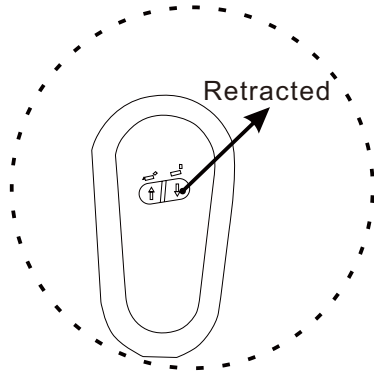
STEP19



STEP20



STEP21



STEP22

