

ASSEMBLY INSTRUCTIONS

Wood Platform Bed (BSW008-Q)

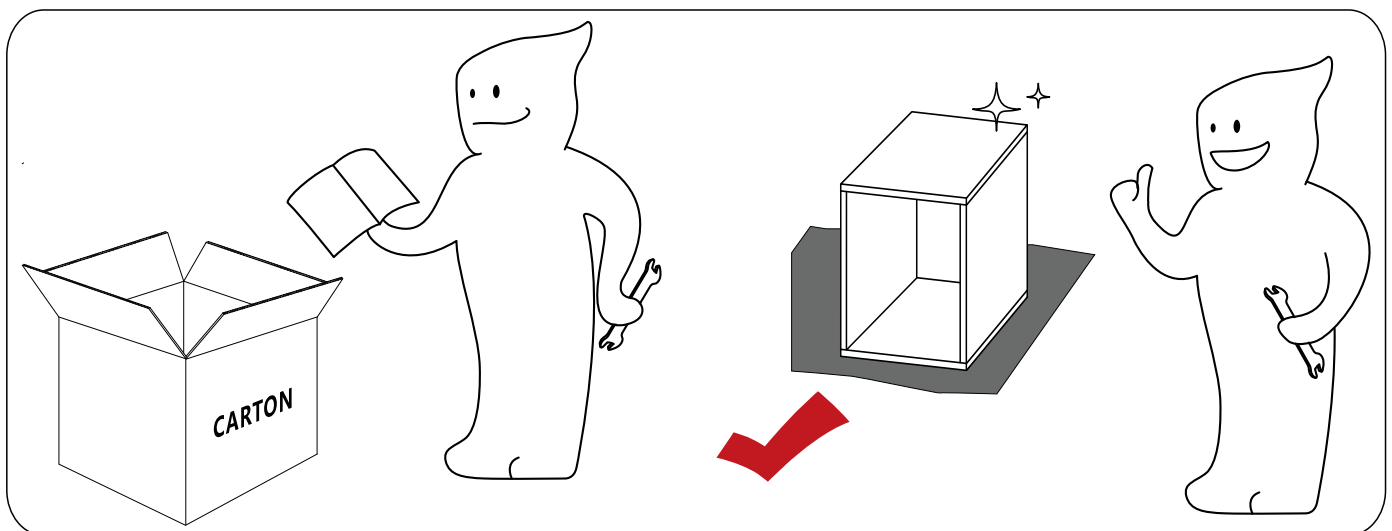
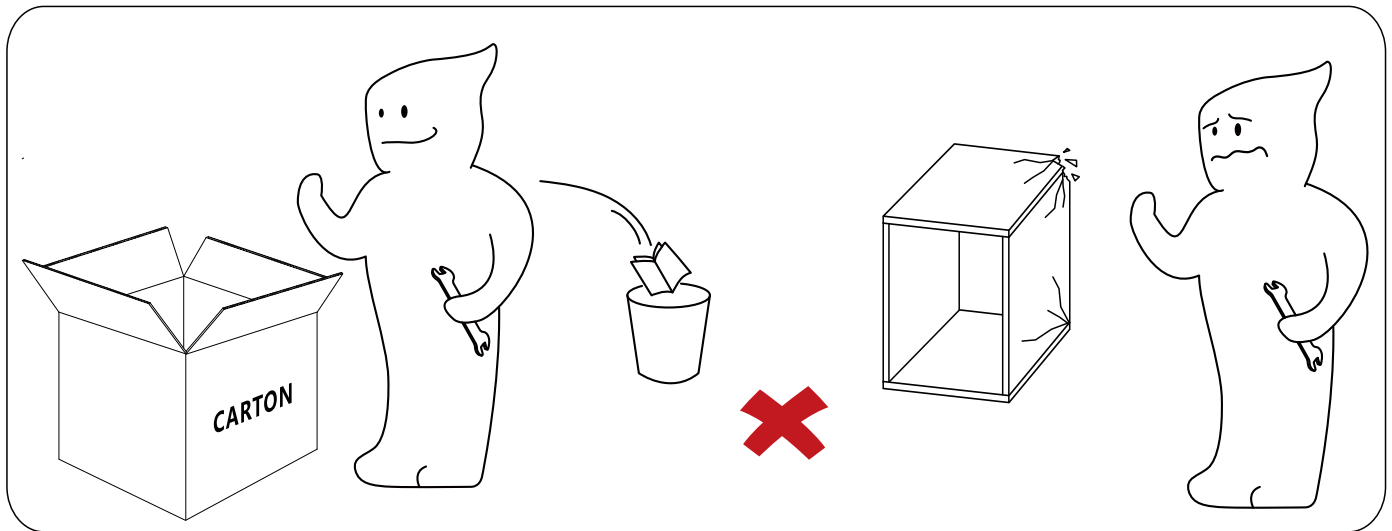


Dear Customers,

Thank you for purchasing our product. Please read this instruction manual carefully after receiving this product. It will help you assemble this product quickly, safely and correctly. You can keep this manual for future reference.

! IMPORTANT

Please follow the instruction manuals and use a pad to protect the product during your assembly.



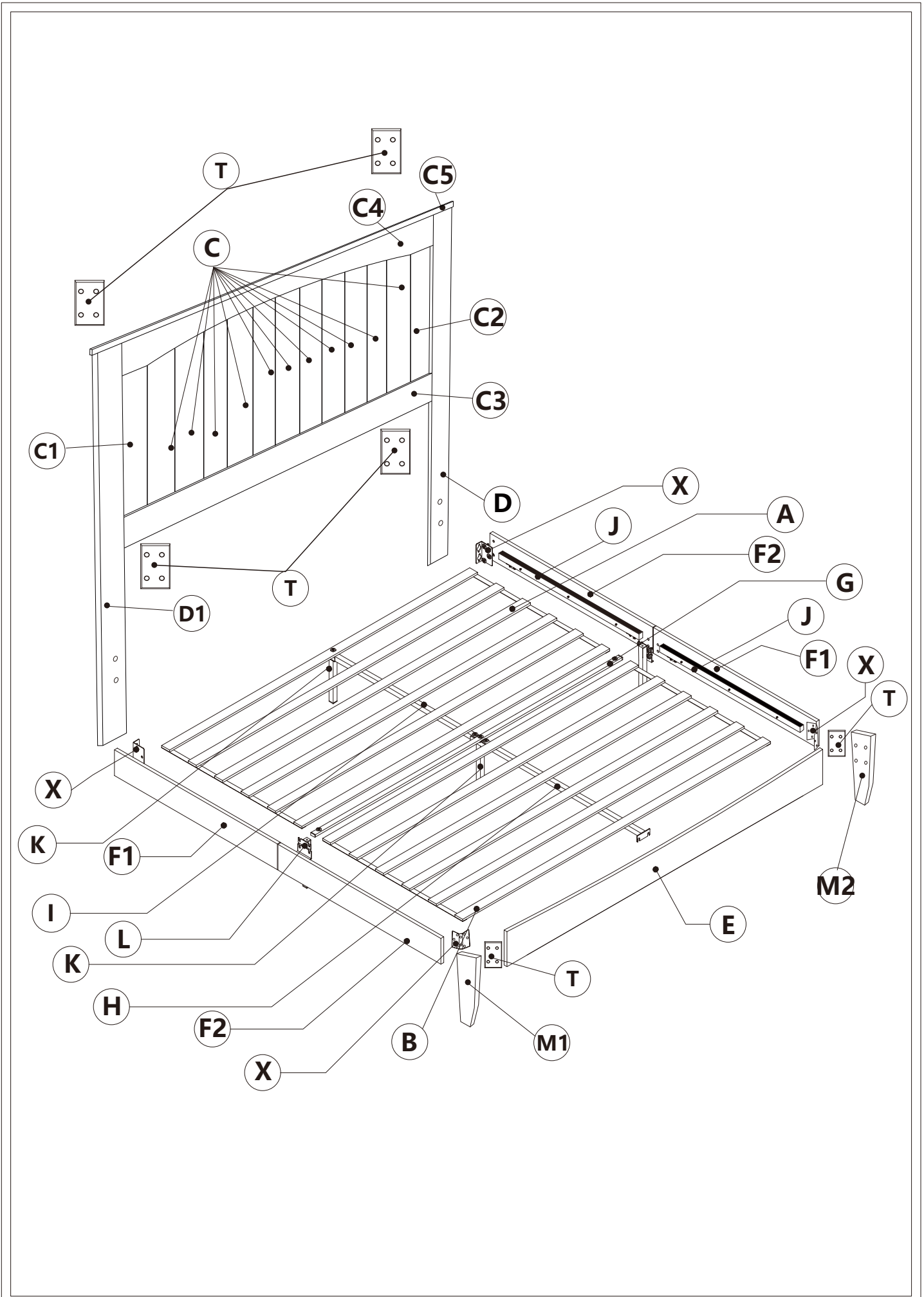
Note:

- 1. Should be assembled on flat ground to keep balance.**
- 2. Before completing the installation, do not tighten the screws.**

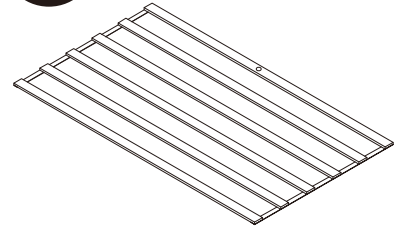
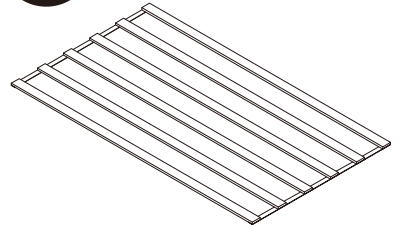



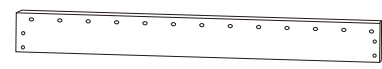
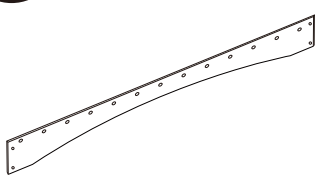

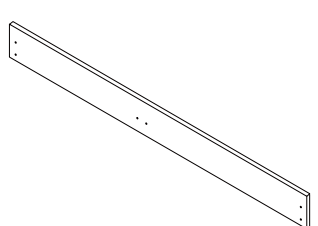

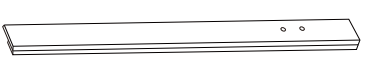
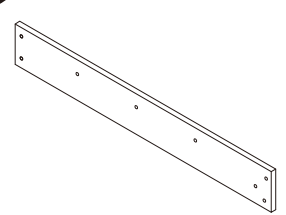
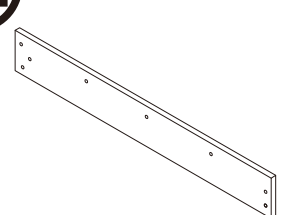
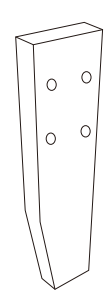
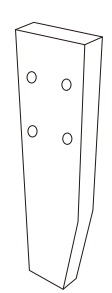


For easier and better assembly, **2** or more adults are required.

ASSEMBLY INSTRUCTIONS

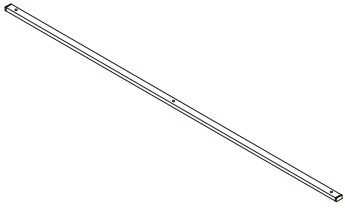


ASSEMBLY INSTRUCTIONS

<p>(A)</p>  <p>1 pc</p>	<p>(B)</p>  <p>1 pc</p>	<p>(C)</p>  <p>11 pcs</p>
<p>(C1)</p>  <p>1 pc</p>	<p>(C2)</p>  <p>1 pc</p>	<p>(C3)</p>  <p>1 pc</p>
<p>(C4)</p>  <p>1 pc</p>	<p>(C5)</p>  <p>1 pc</p>	<p>(E)</p>  <p>1 pc</p>
<p>(D)</p>  <p>1 pc</p>	<p>(D1)</p>  <p>1 pc</p>	<p>(F1)</p>  <p>2 pcs</p>
<p>(F2)</p>  <p>2 pcs</p>	<p>(M1)</p>  <p>1 pc</p>	<p>(M2)</p>  <p>1 pc</p>

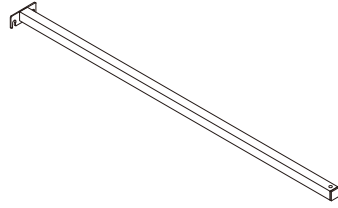
ASSEMBLY INSTRUCTIONS

G



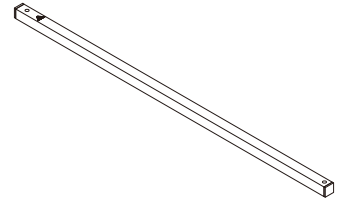
1pc

H



1pc

I



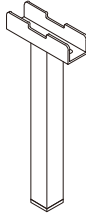
1pc

J



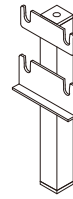
4pcs

K




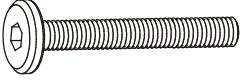
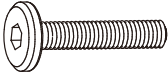


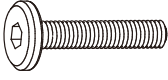
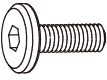
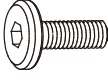
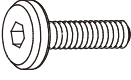
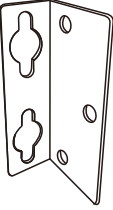
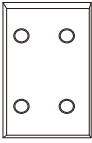


2pcs

L

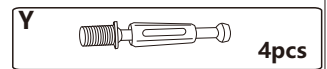
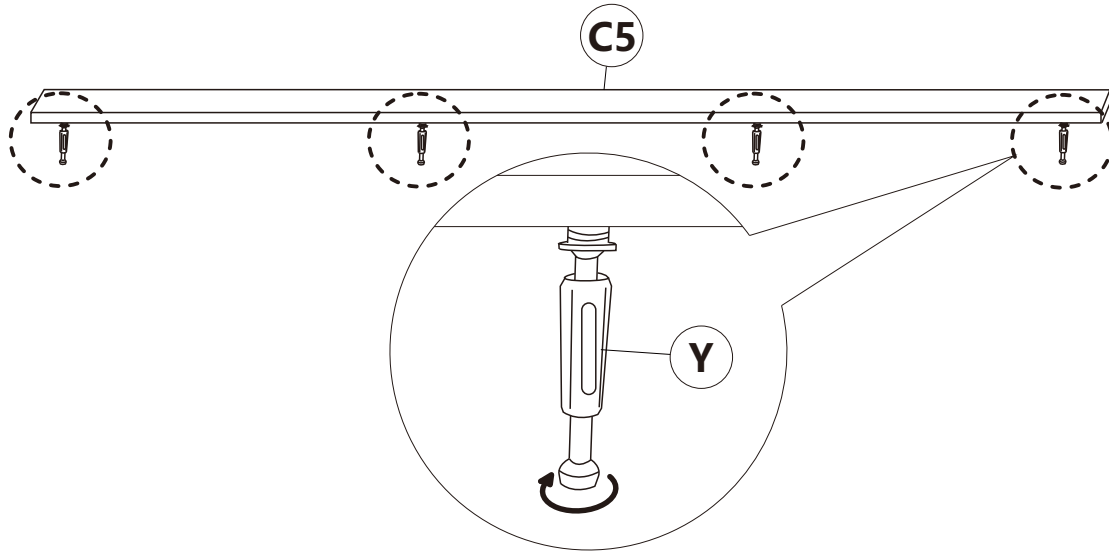


2pcs

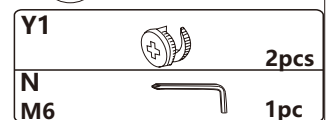
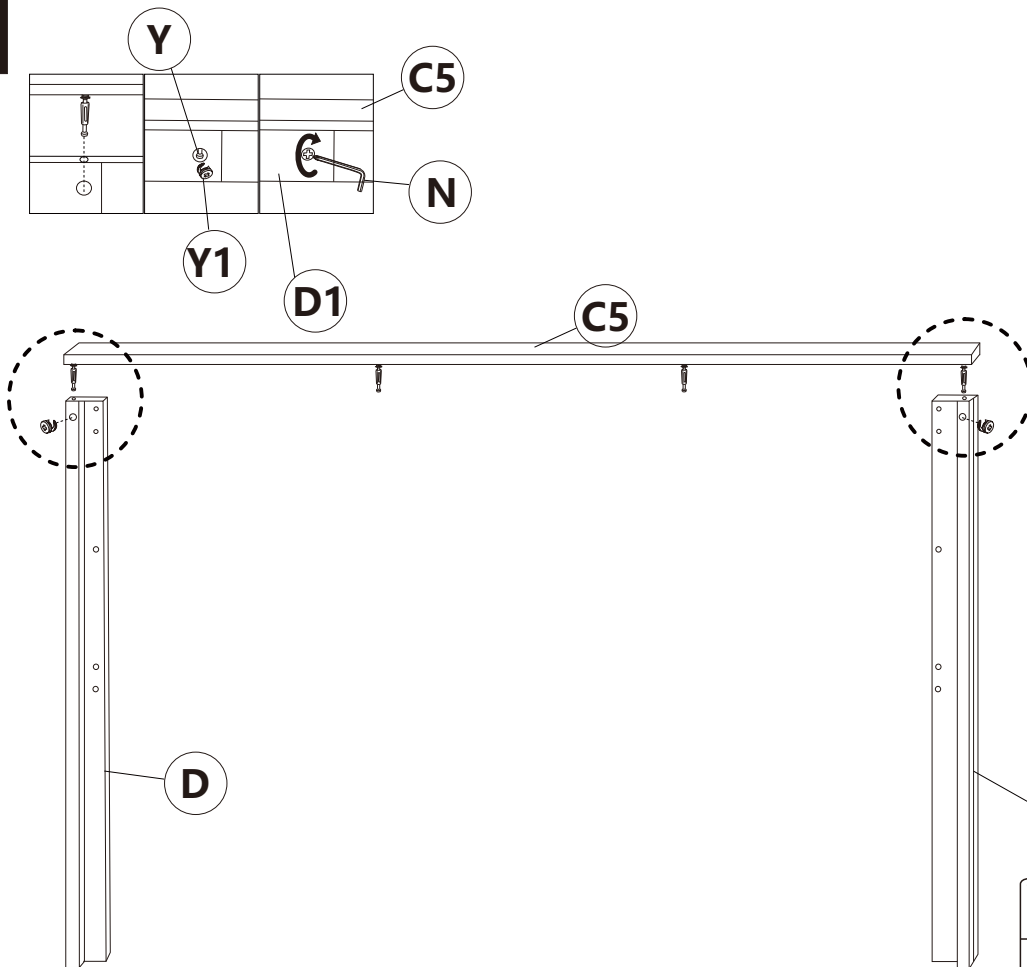
ASSEMBLY INSTRUCTIONS

<p>(N)</p>  <p>M6</p> <p>1pc</p>	<p>(O)</p>  <p>M8x50 mm</p> <p>1pc</p>	<p>(P)</p>  <p>M8x35 mm</p> <p>5pcs</p>
<p>(Q)</p>  <p>ϕ 8x18x1.5 mm</p> <p>48pcs+1pc</p>	<p>(Q1)</p>  <p>ϕ 6x18x1.5 mm</p> <p>50pcs+1pc</p>	<p>(R)</p>  <p>M8x30 mm</p> <p>12pcs</p>
<p>(W)</p>  <p>M8x14 mm</p> <p>30pcs+1pc</p>	<p>(S)</p>  <p>M6x14 mm</p> <p>24pcs+1pc</p>	<p>(U)</p>  <p>M6x25 mm</p> <p>28pcs+1pc</p>
<p>(X)</p>  <p>100x2 mm</p> <p>4pcs</p>	<p>(T)</p>  <p>70x2 mm</p> <p>6pcs</p>	<p>(Y)</p>  <p>4pcs</p>
<p>(Y1)</p>  <p>4pcs</p>		

1

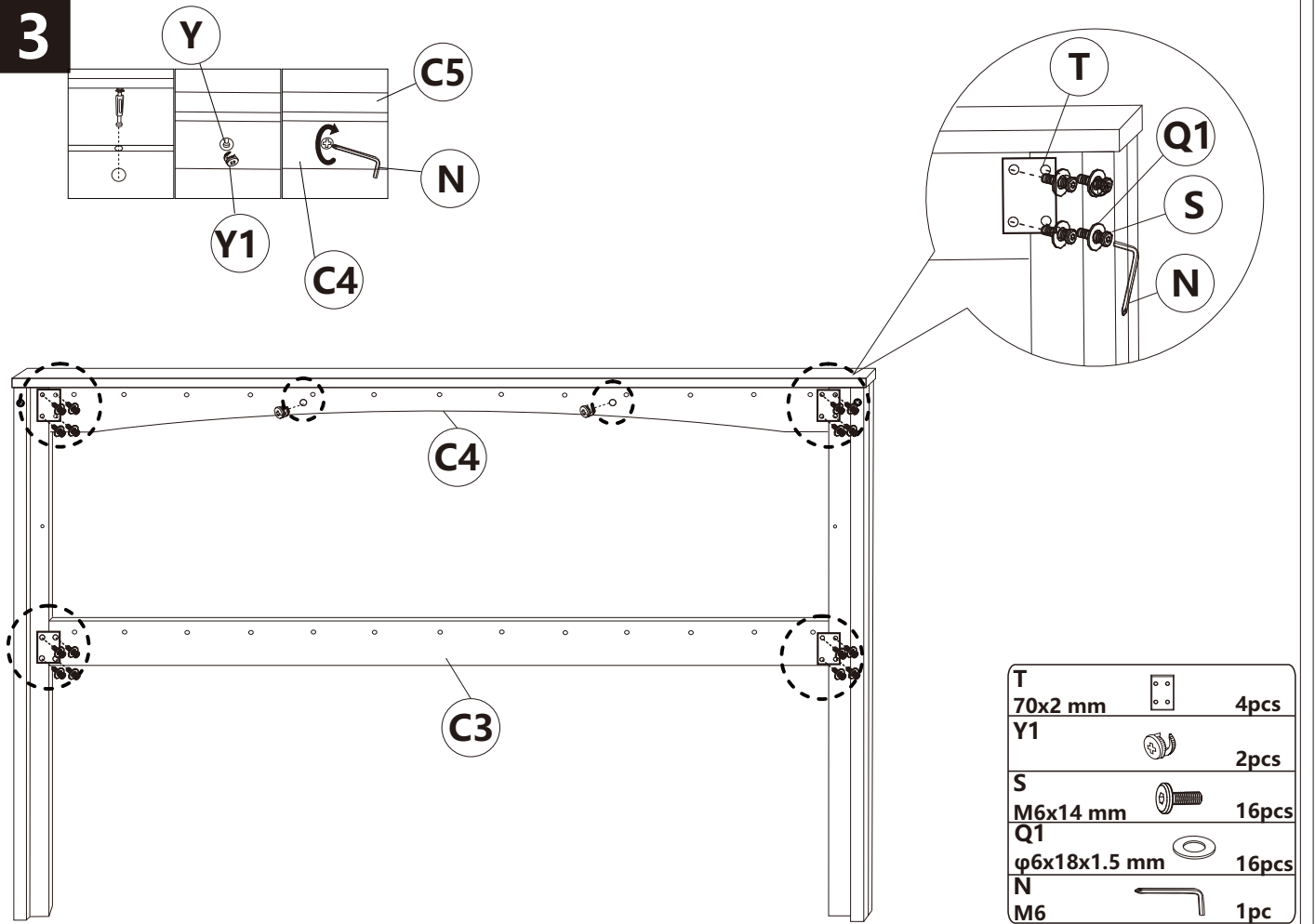


2



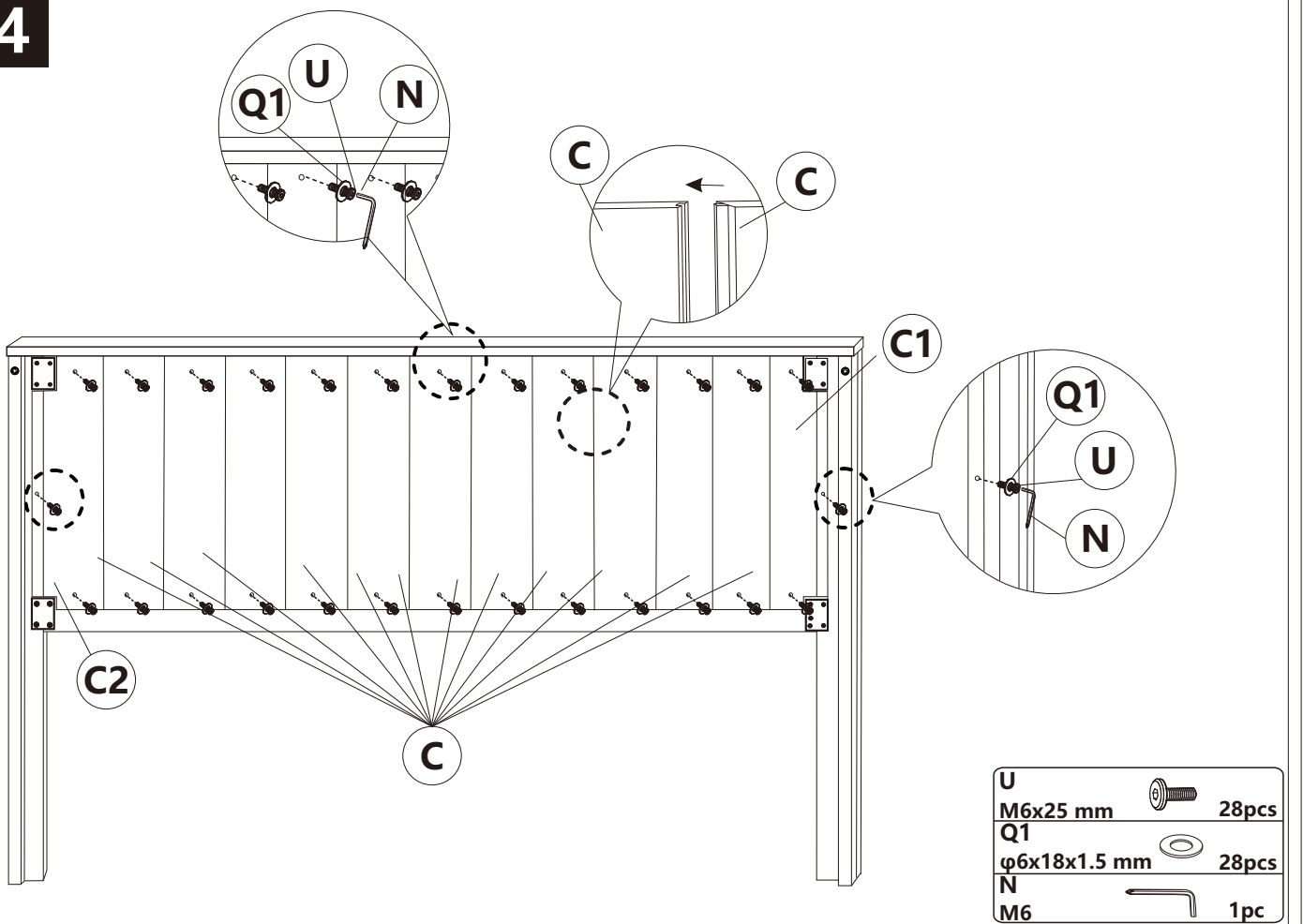
ASSEMBLY INSTRUCTIONS

3



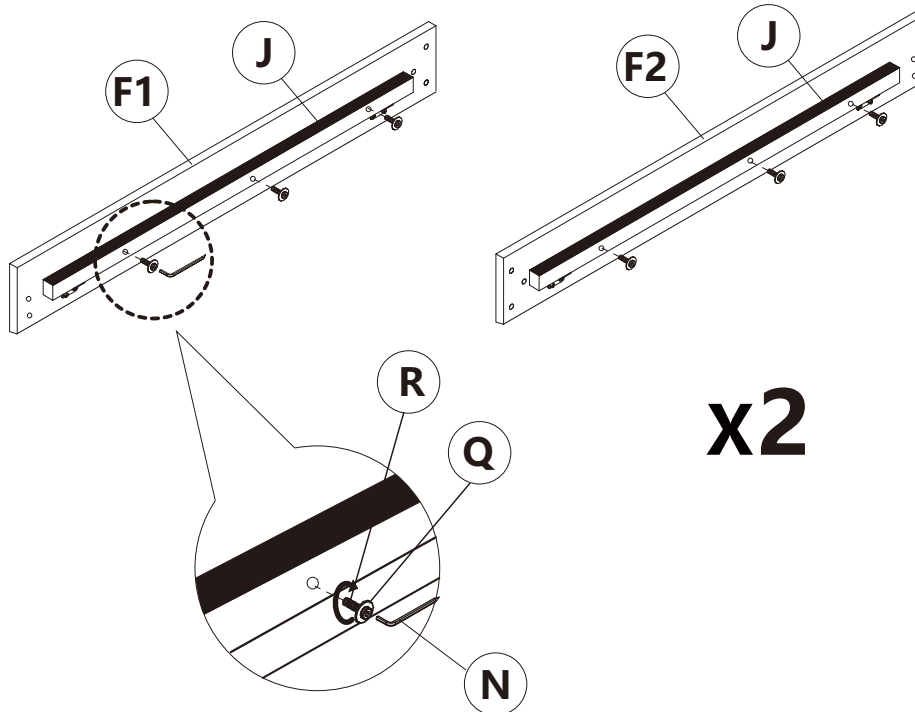
T		4pcs
70x2 mm		
Y1		2pcs
S		16pcs
M6x14 mm		
Q1		16pcs
φ6x18x1.5 mm		
N		1pc
M6		

4






U		28pcs
M6x25 mm		
Q1		28pcs
φ6x18x1.5 mm		
N		1pc
M6		

5

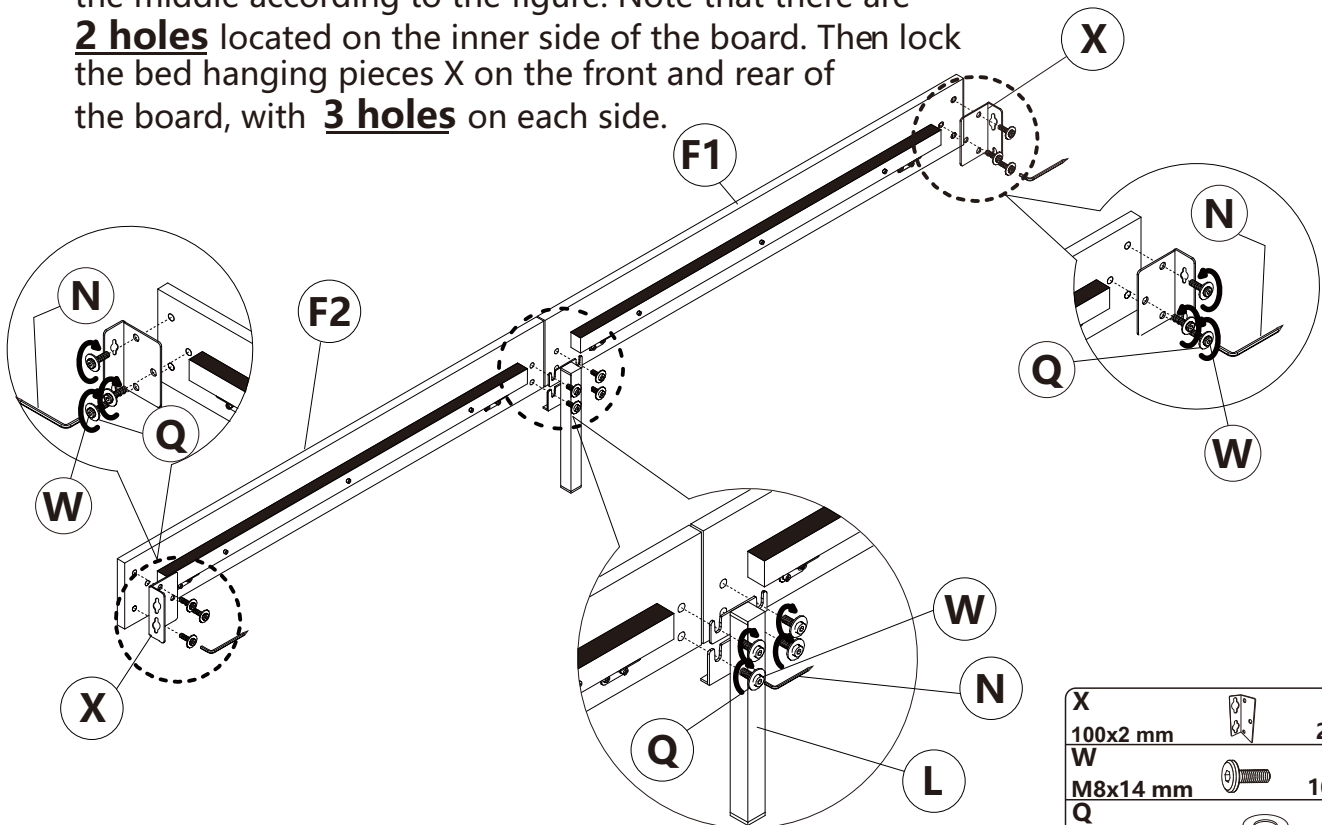






x2

R	M8x30 mm		12pcs
Q	φ8x18x1.5 mm		12pcs
N	M6		1pc

6

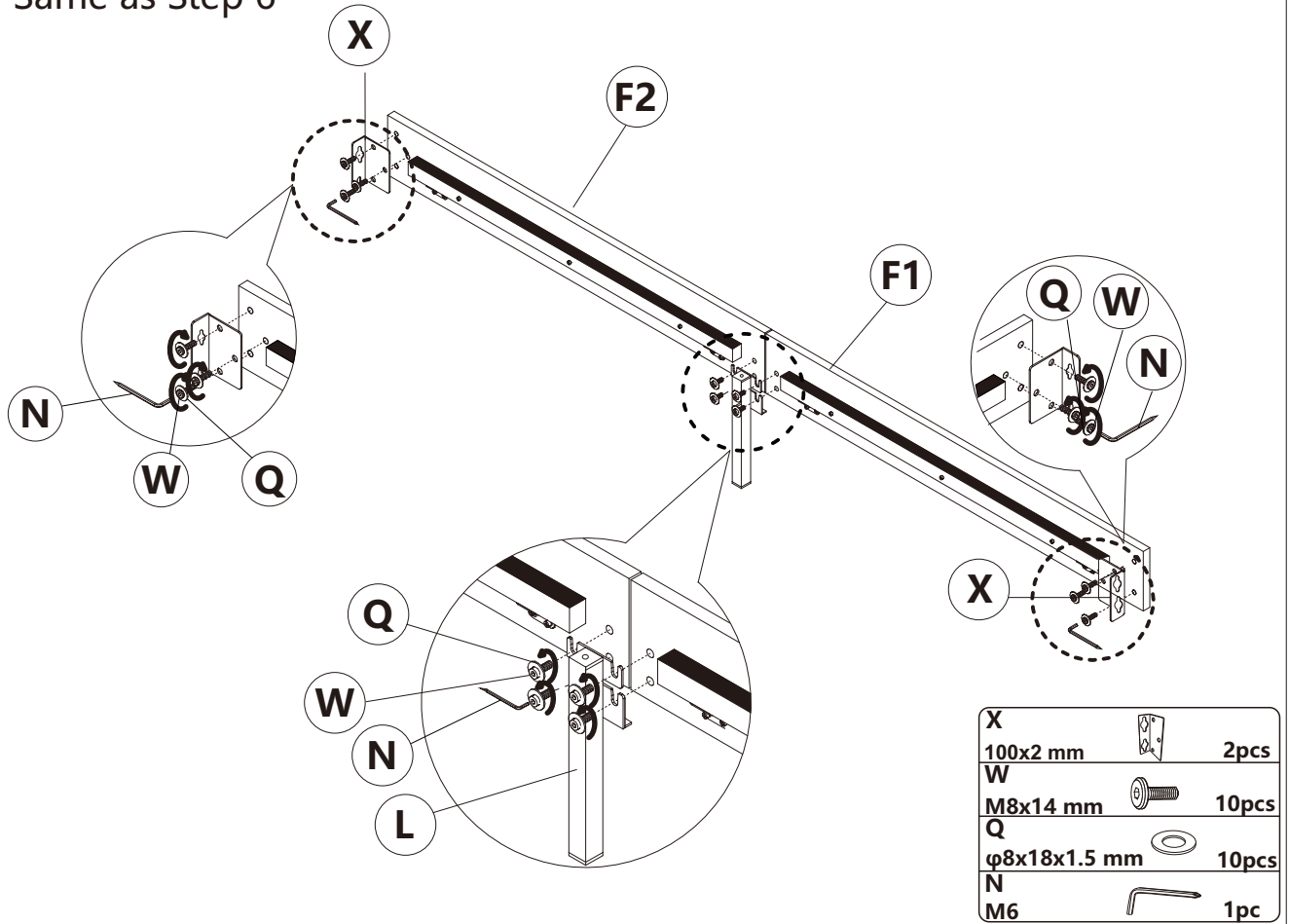
Take out parts F1 and F2, and lock the iron frame foot L in the middle according to the figure. Note that there are **2 holes** located on the inner side of the board. Then lock the bed hanging pieces X on the front and rear of the board, with **3 holes** on each side.



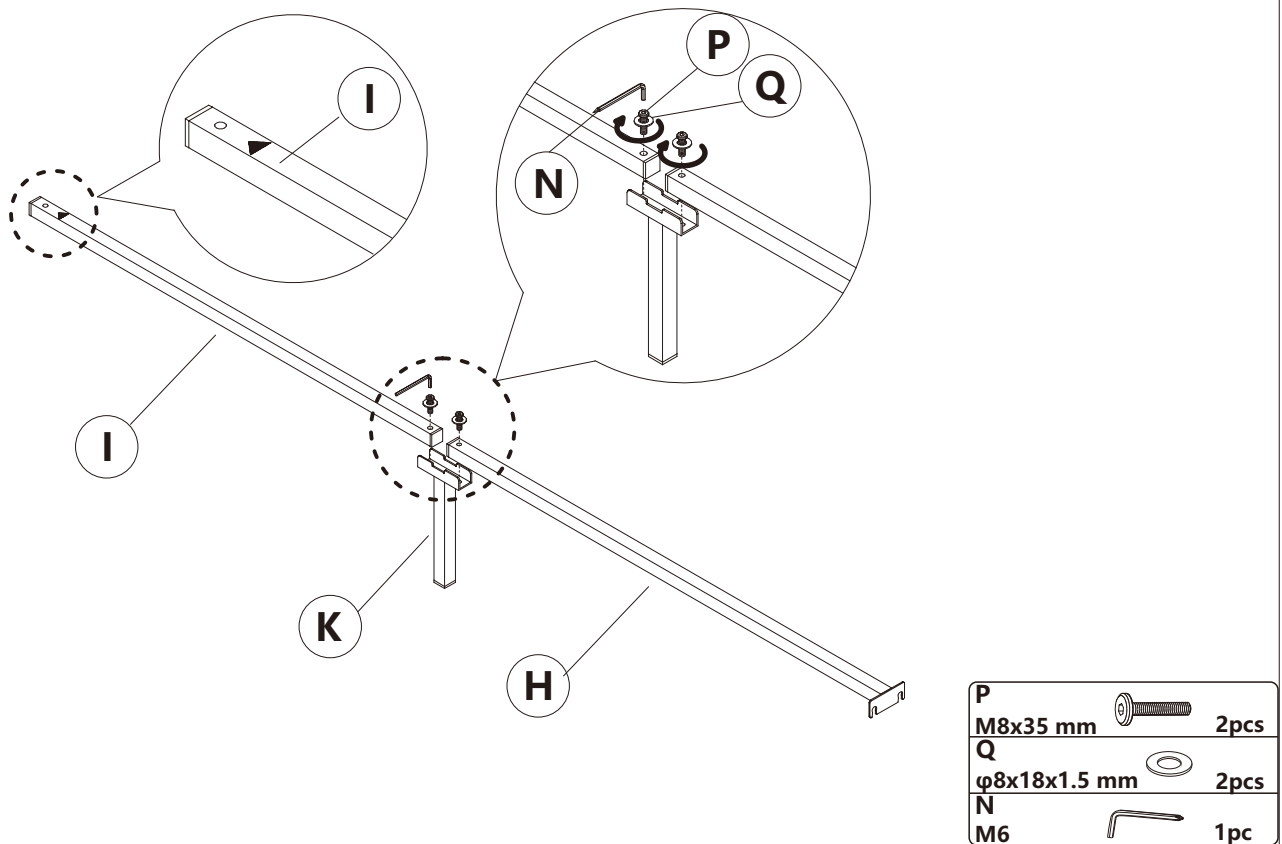
X	100x2 mm		2pcs
W	M8x14 mm		10pcs
Q	φ8x18x1.5 mm		10pcs
N	M6		1pc

ASSEMBLY INSTRUCTIONS

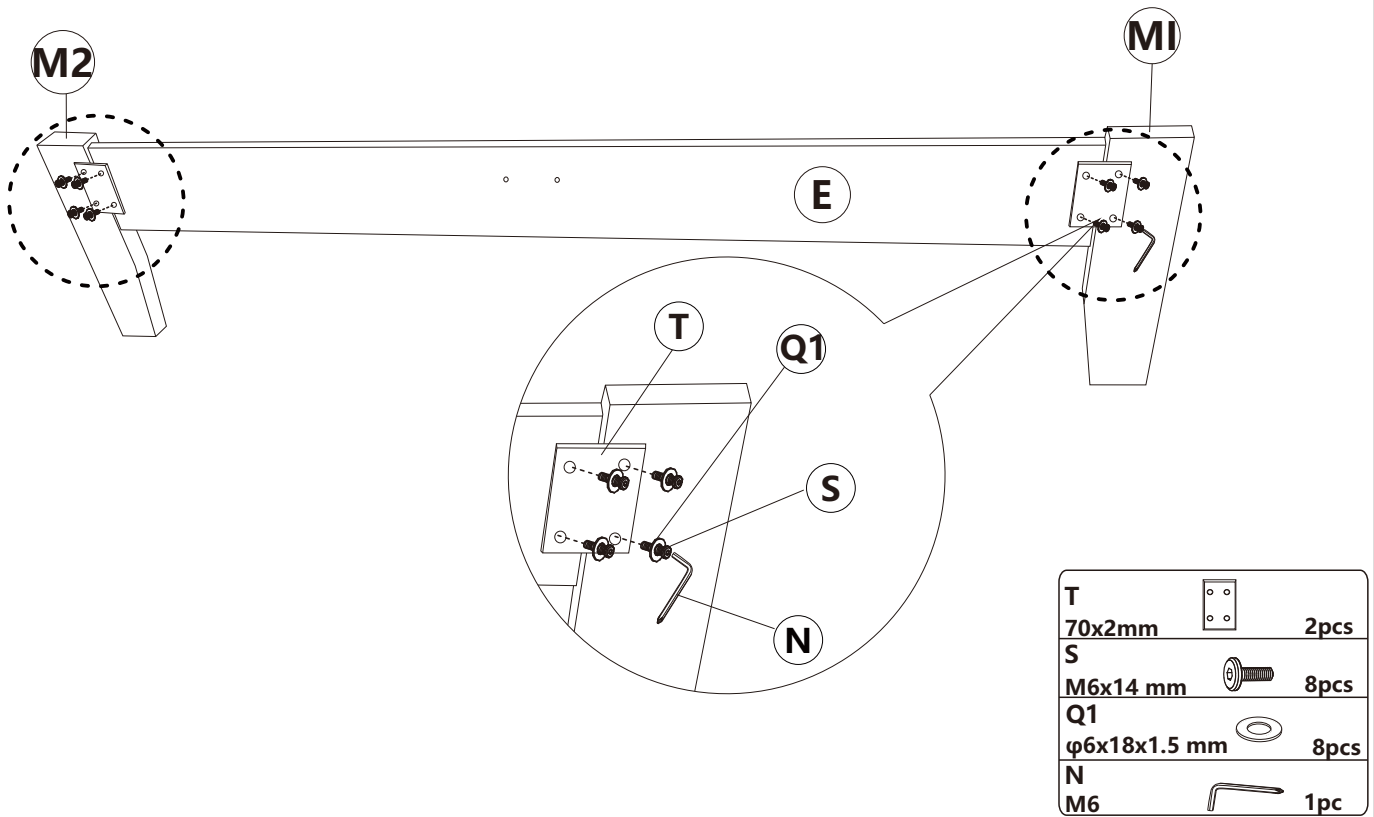
7 Same as Step 6



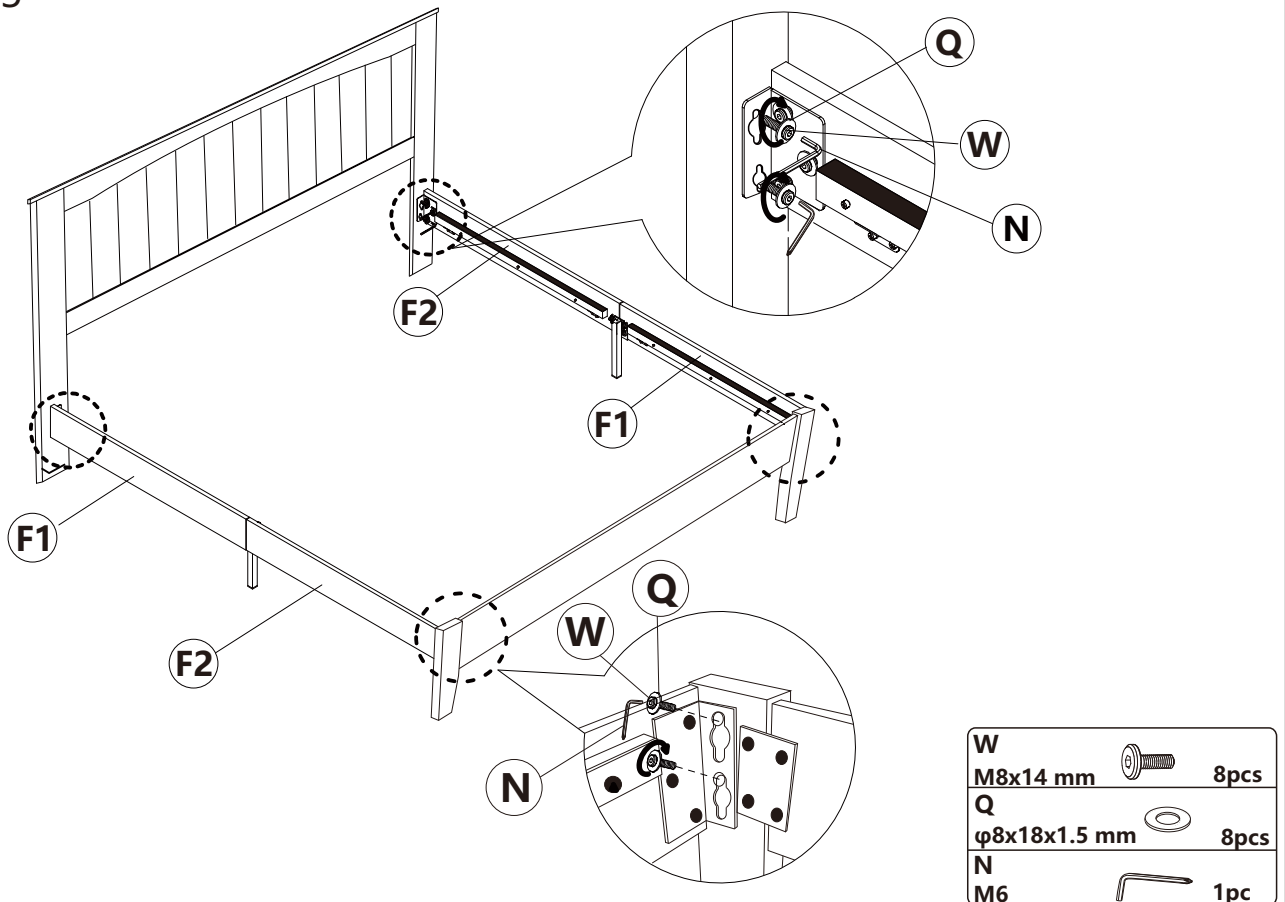
8 Noted the direction of the arrow on the middle cross beam is pointing to the front.



9

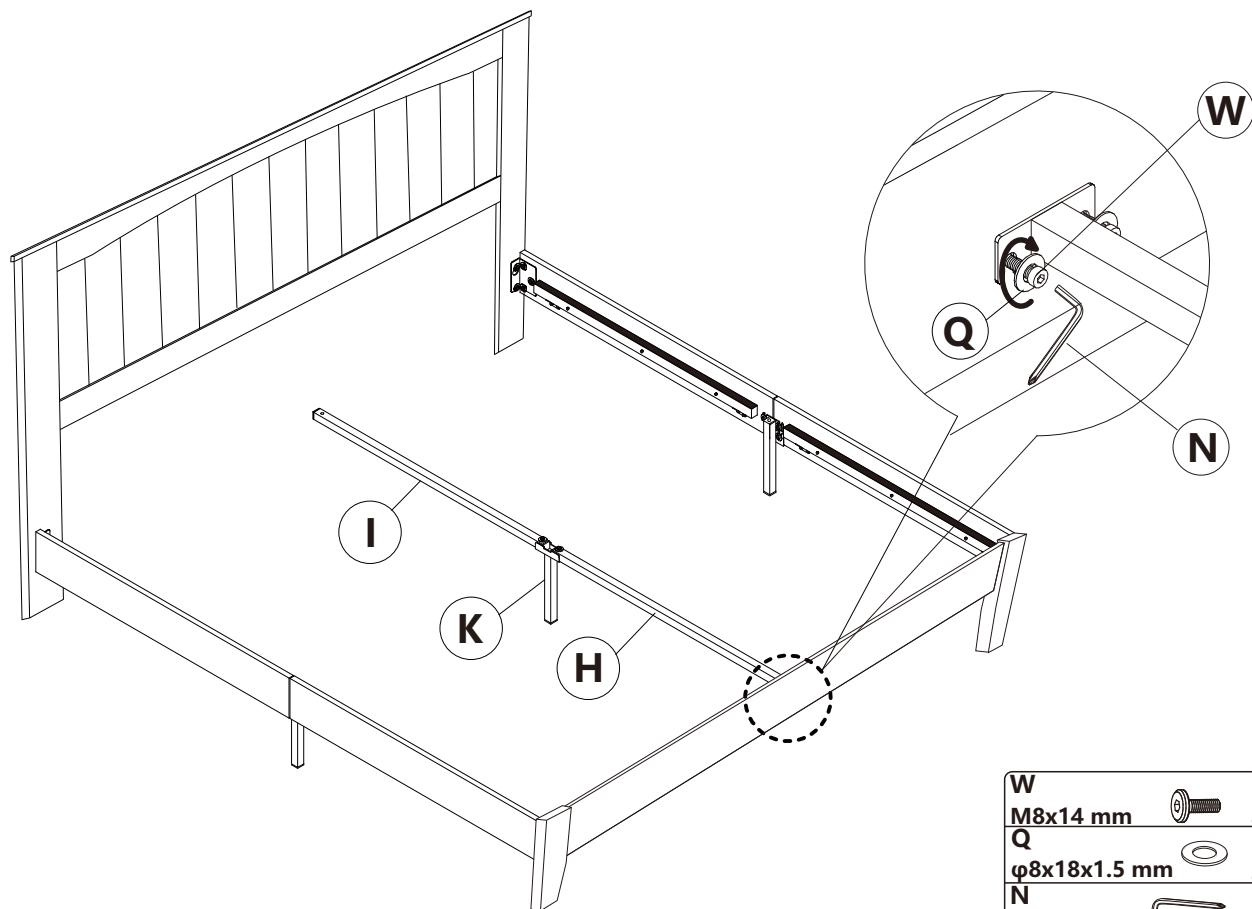





10 Screw in the screw W to about 50%, then hang the bracket on and finally tighten the screw W.



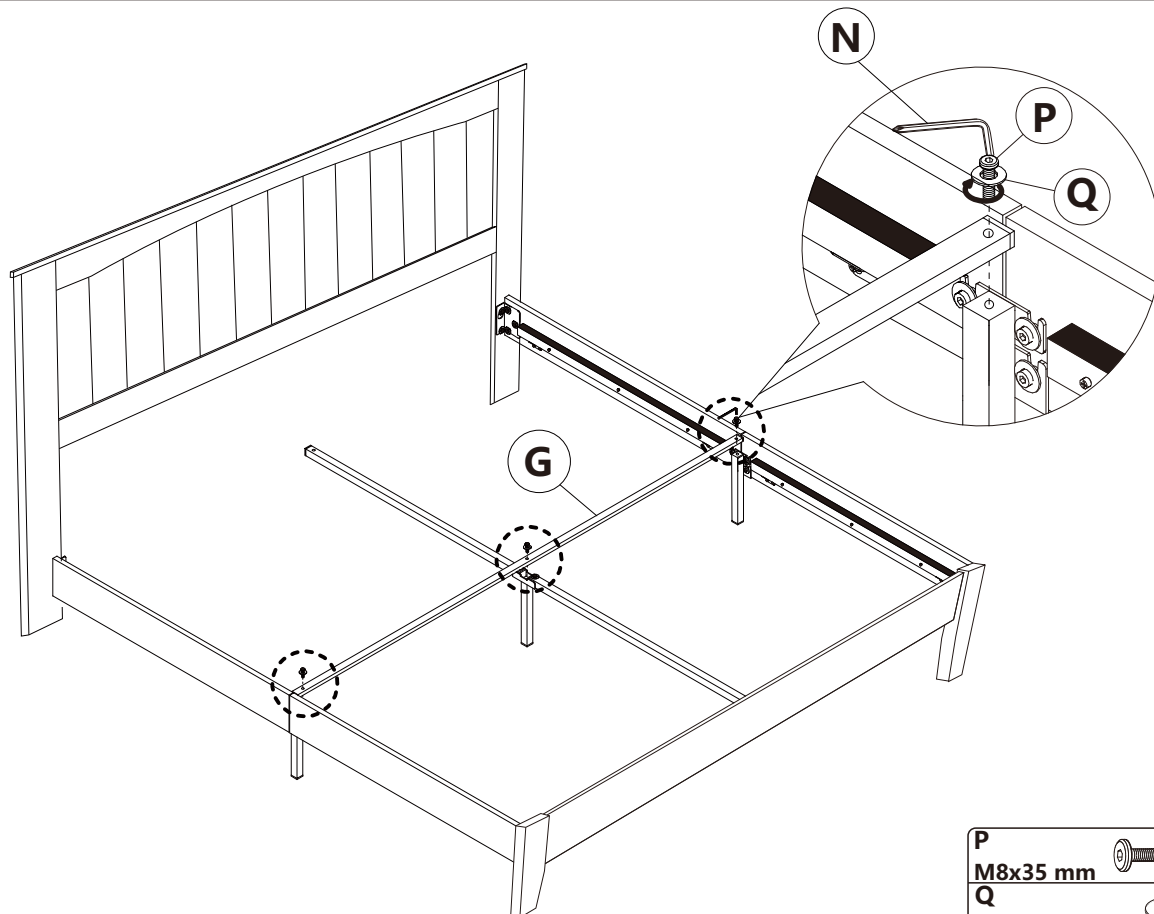
ASSEMBLY INSTRUCTIONS




11



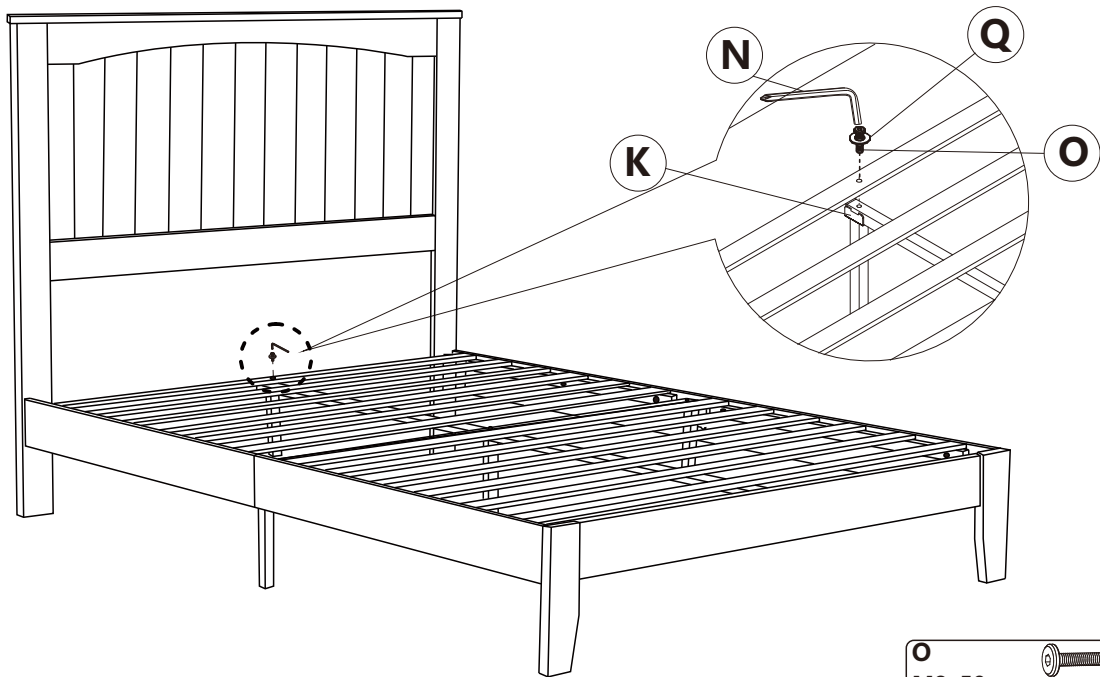
W		2 pcs
M8x14 mm		
Q		2 pcs
φ8x18x1.5 mm		
N		1 pc
M6		




12



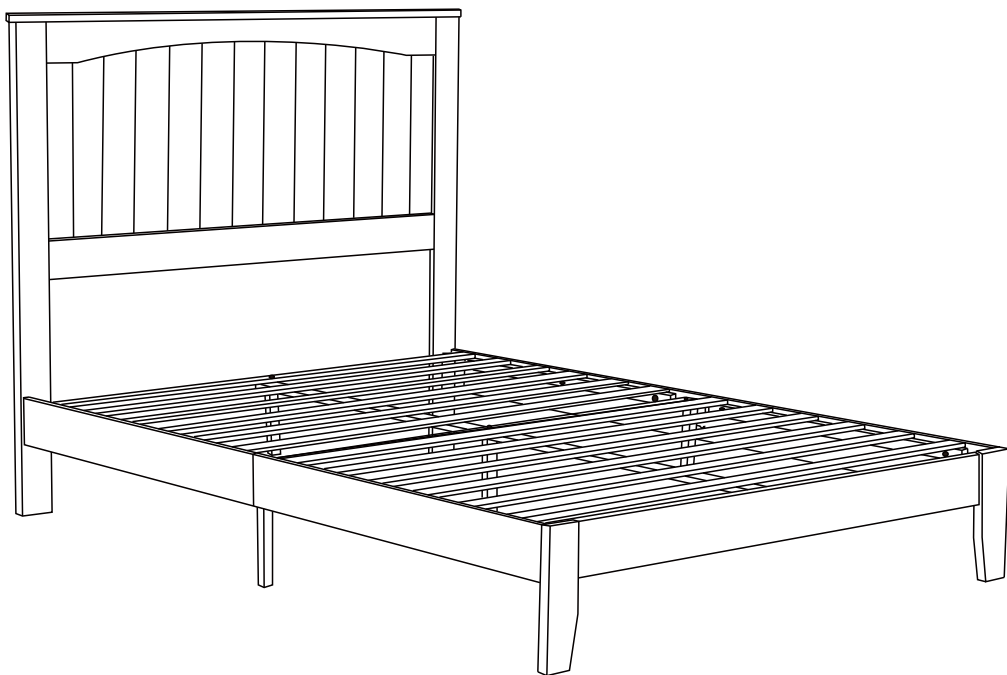
P		3 pcs
M8x35 mm		
Q		3 pcs
φ8x18x1.5 mm		
N		1 pc
M6		

13



O		1pc
M8x50 mm		
Q		1pc
φ8x18x1.5 mm		
N		1pc
M6		

14



Installation Complete