

Storage Platform Bed Assembly Instructions



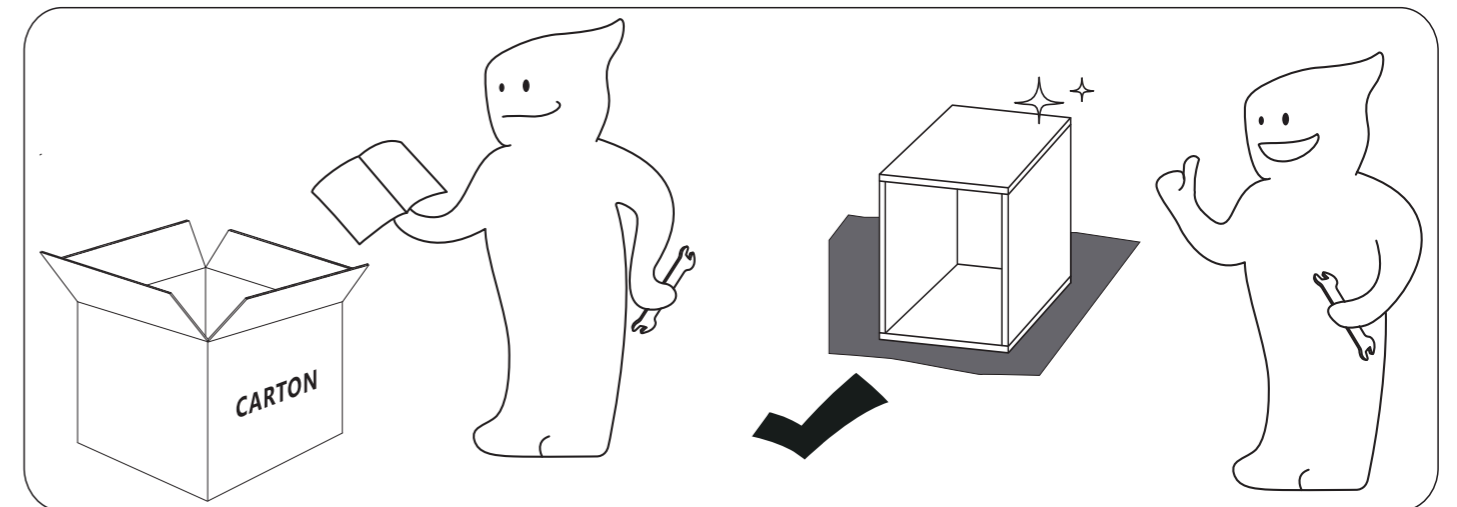
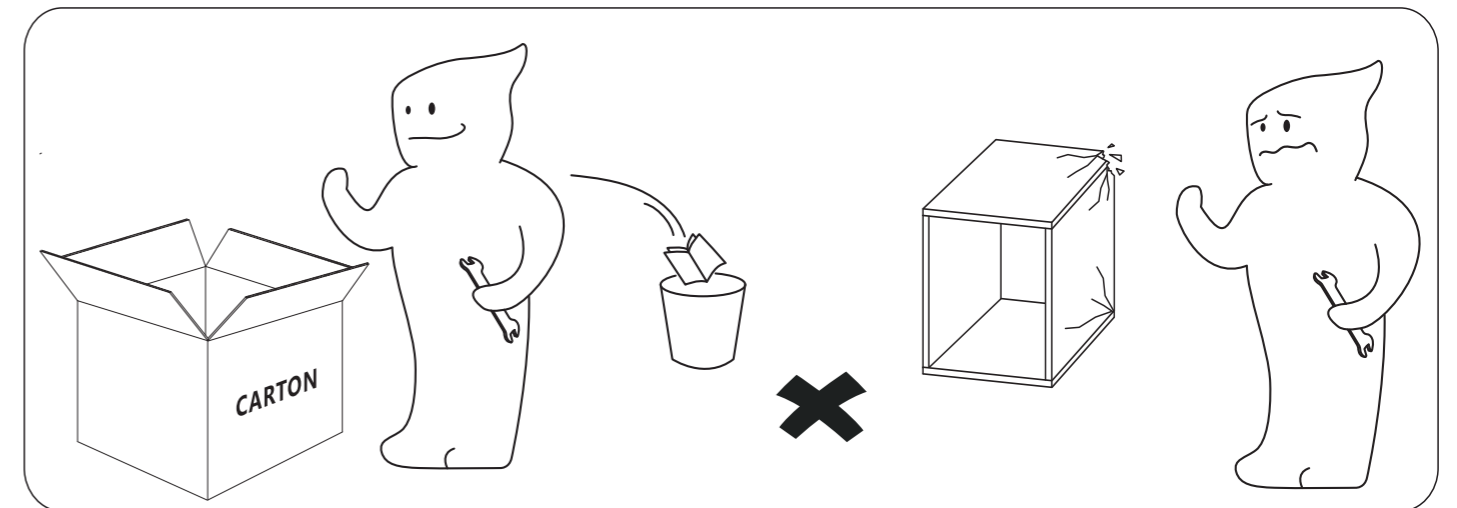
Dear Customers,

Thank you for purchasing our product. Please read this instruction manual carefully after receiving this product. It will help you assemble this product quickly, safely and correctly. You can keep this manual for future reference.

MADE IN CHINA



Please follow the instruction manuals and use a pad to protect the product during your assembly.



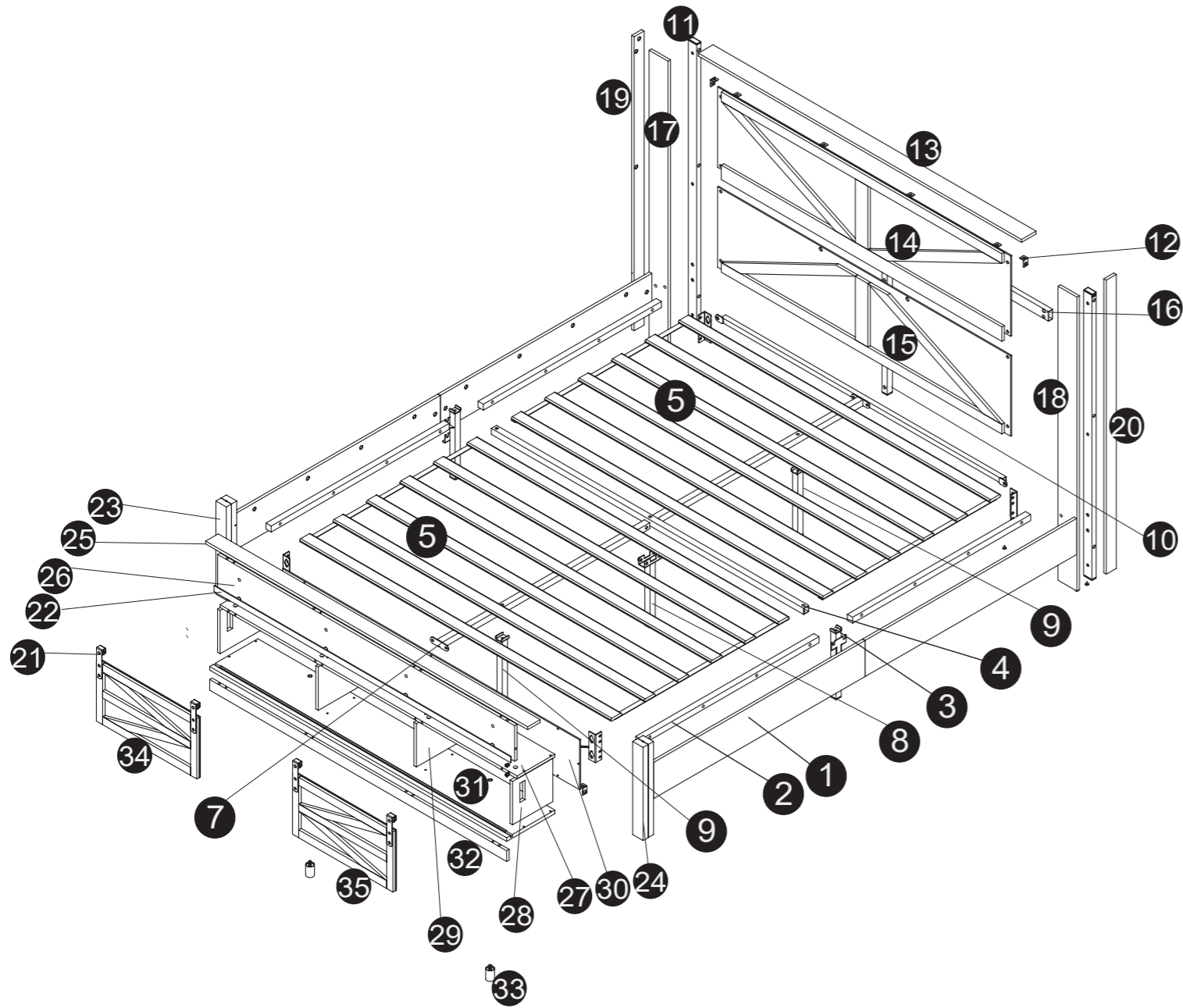
Note:

- 1. Should be assembled on flat ground to keep balance.
- 2. Before completing the installation, do not tighten the screws.



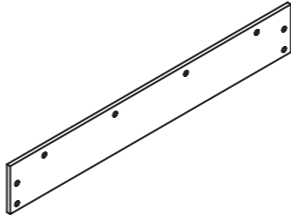
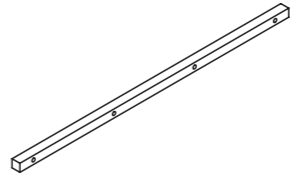
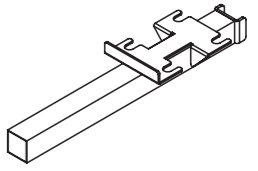
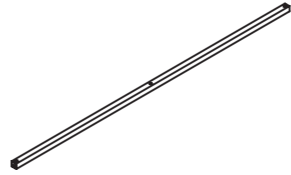
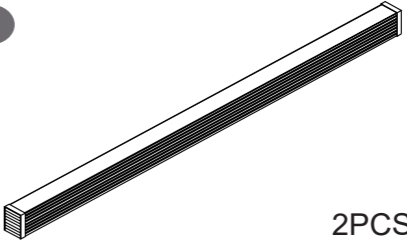
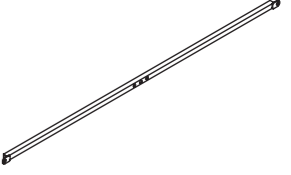
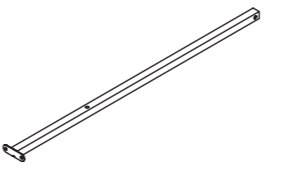
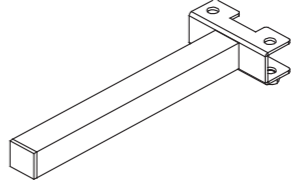
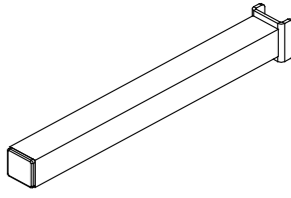
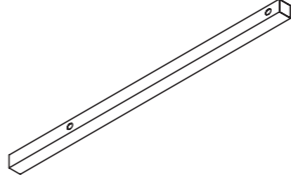
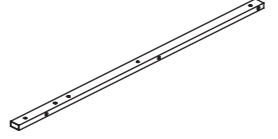
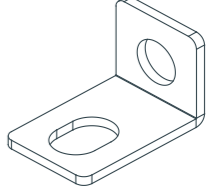
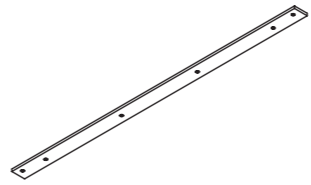
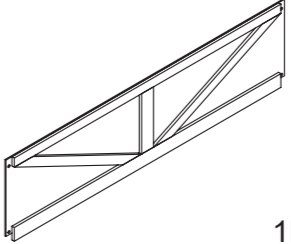
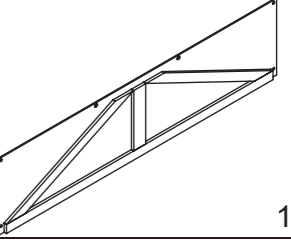
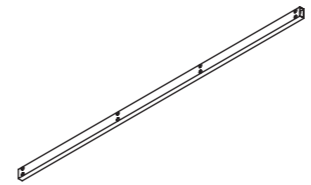
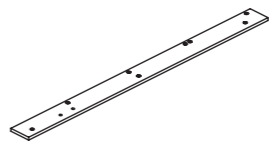
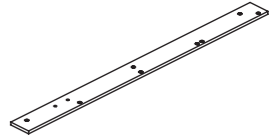
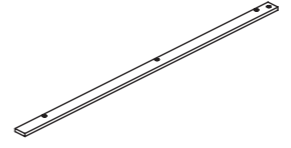
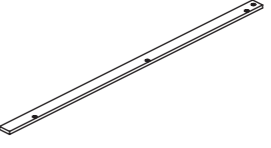
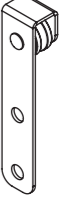
For easier and better assembly, 2 or more adults are required.

ASSEMBLY INSTRUCTIONS



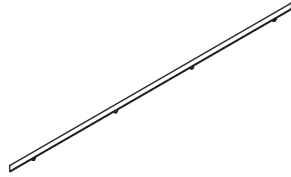


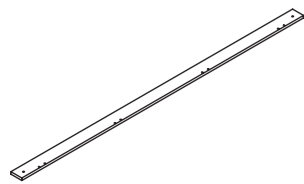
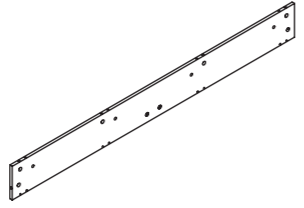
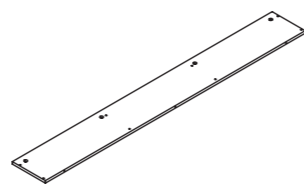
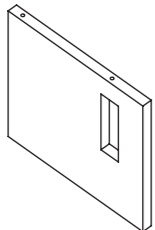
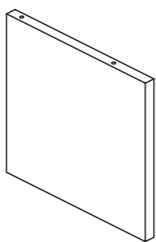
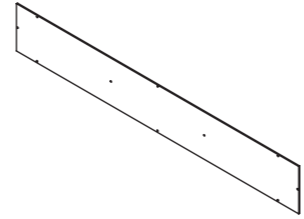
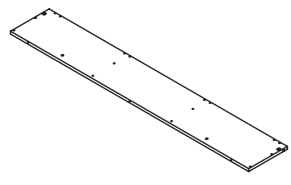
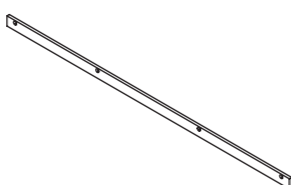
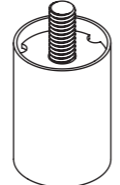
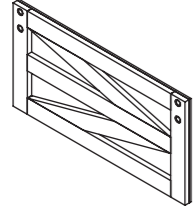
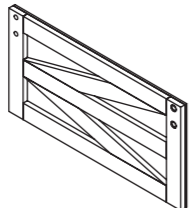
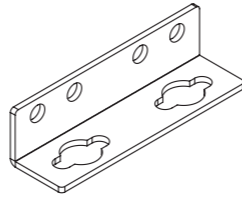
ASSEMBLY INSTRUCTIONS

PARTS LIST

1  4PCS	2  4PCS	3  2PCS
4  1PC	5  2PCS	6  1PC
7  2PCS	8  1PC	9  2PCS
10  1PC	11  2PCS	12  8PCS
13  1PC	14  1PC	15  1PC
16  1PC	17  1PC	18  1PC
19  1PC	20  1PC	21  4PCS



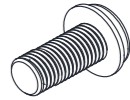
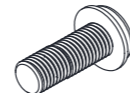
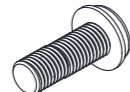

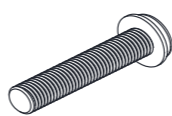
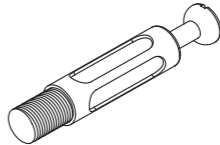
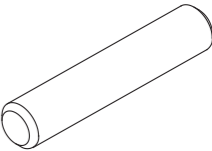
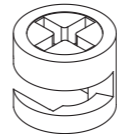
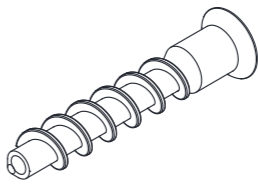
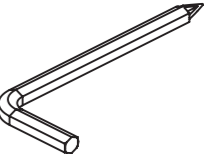
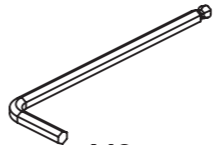
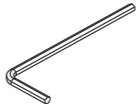
ASSEMBLY INSTRUCTIONS

PARTS LIST

22  1PC	23  1PC	24  1PC
25  1PC	26  1PC	27  1PC
28  2PCS	29  2PCS	30  1PC
31  1PC	32  1PC	33  2PCS
34  1PC	35  1PC	L  4PCS

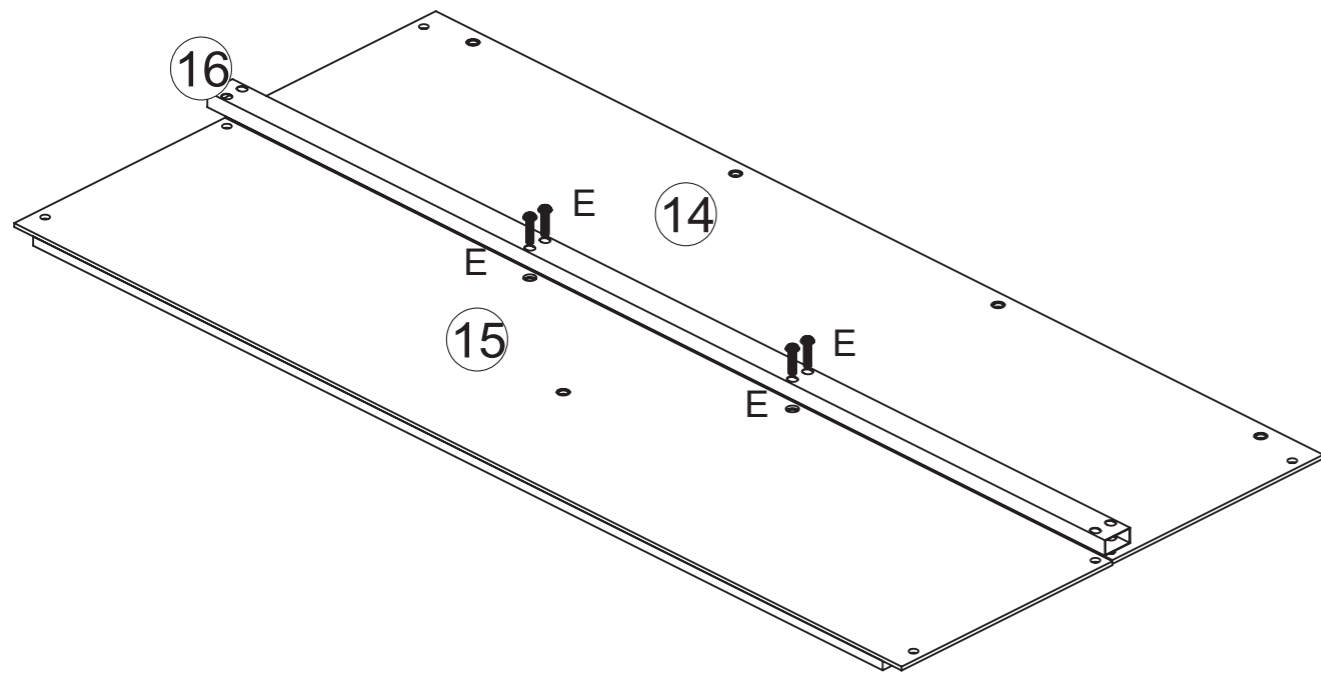
ASSEMBLY INSTRUCTIONS

PARTS LIST

A  M8x12 white zinc 36PCS	B  M8x14 12PCS	C  M8x20 Colored Zinc 10PCS
D  M8x30 white zinc 6PCS	E  M8x33 24PCS	F  M8x40 12PCS
G  M8x50 7PCS	H  φ7x40 14PCS	I  φ6x40 14PCS
J  φ15x9.5 14PCS	M  M5x30 26PCS	N  M8 1PC
O  M8 1PC	P  M5 1PC	

ASSEMBLY INSTRUCTIONS

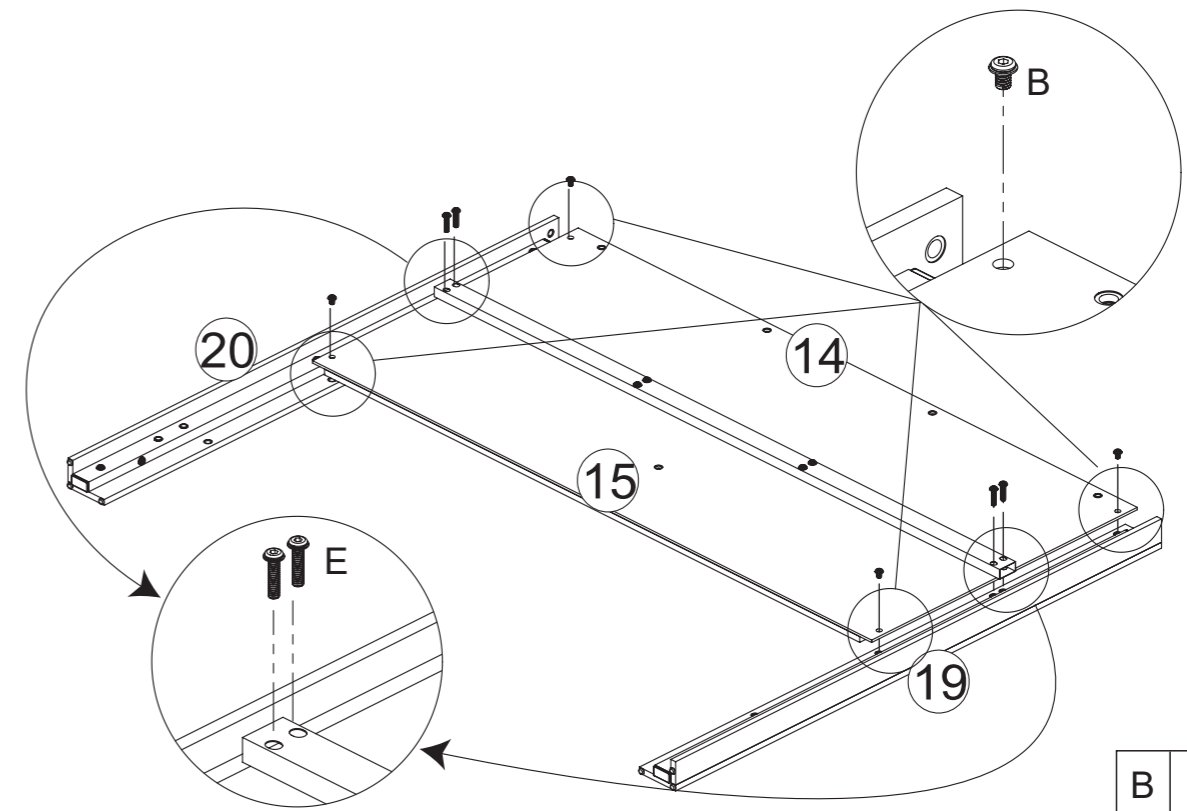
1



E	M8x33	4PCS
---	-------	------

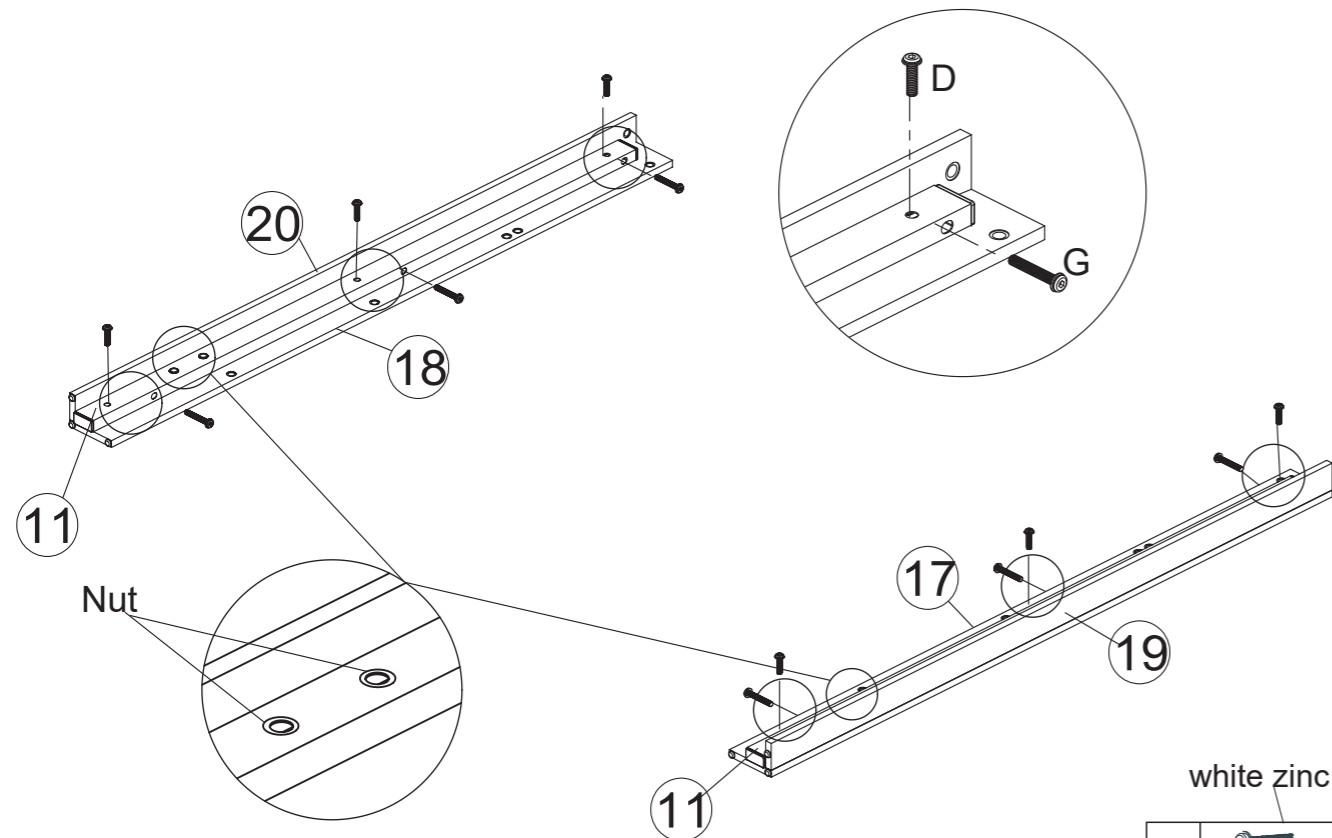
ASSEMBLY INSTRUCTIONS

3



B	M8x14	4PCS
E	M8x33	4PCS

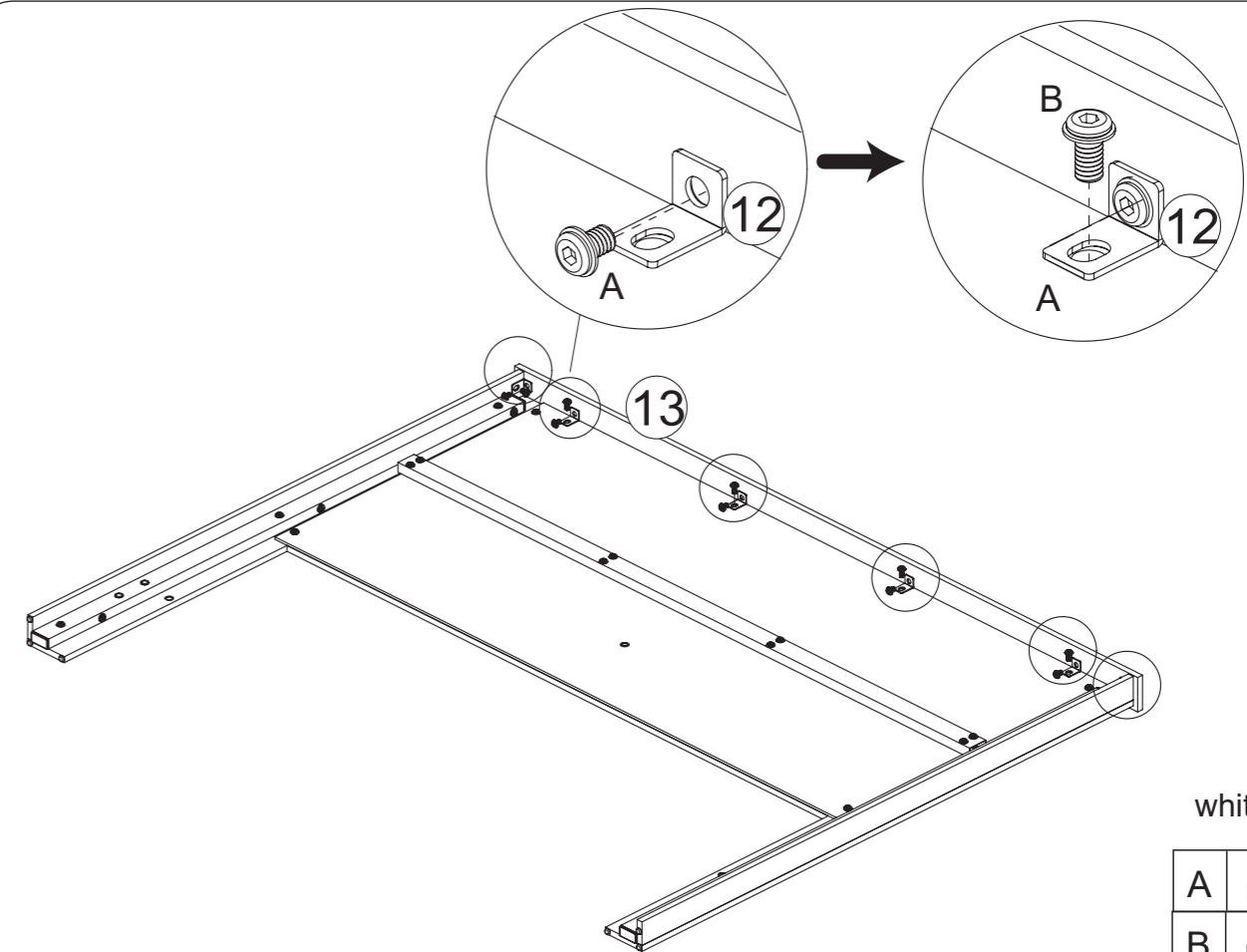
2



white zinc

D	M8x30	6PCS
G	M8x50	6PCS

4

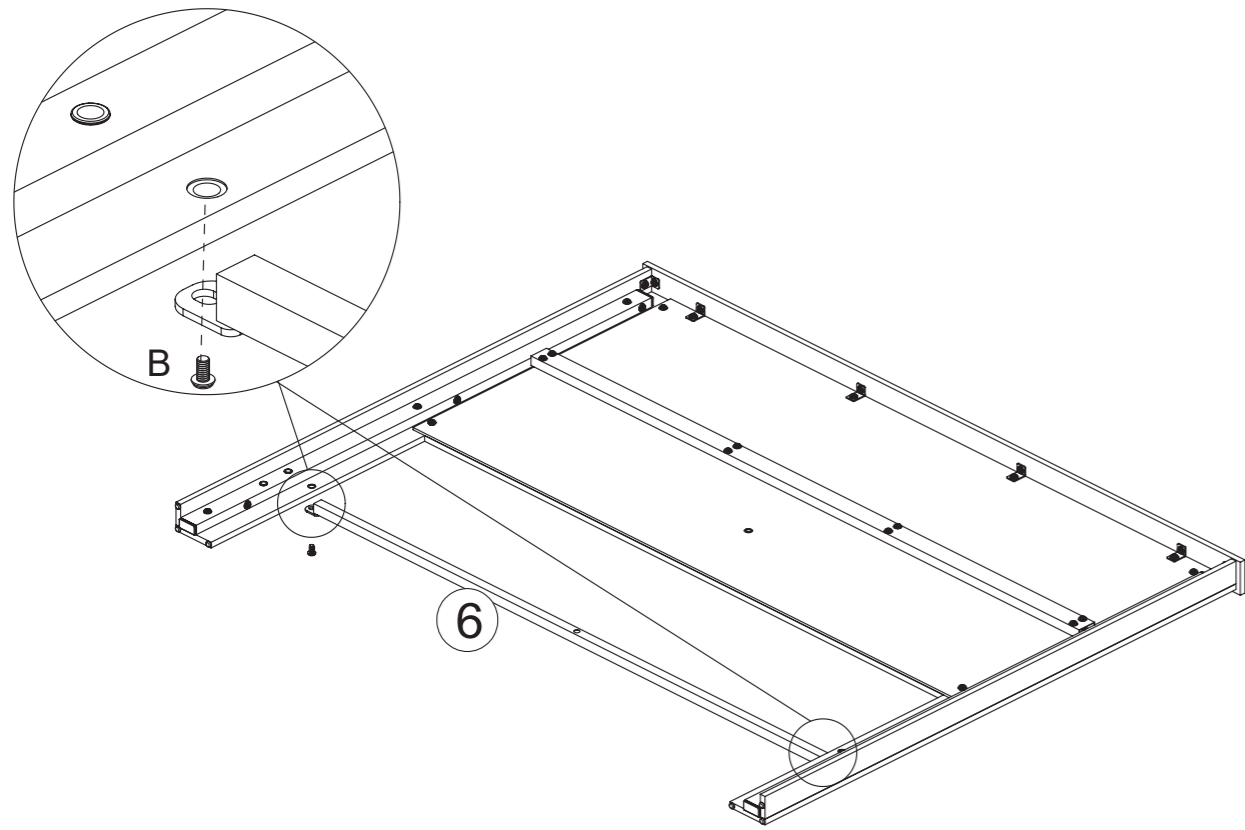


white zinc

A	M8x12	8PCS
B	M8x14	4PCS

ASSEMBLY INSTRUCTIONS

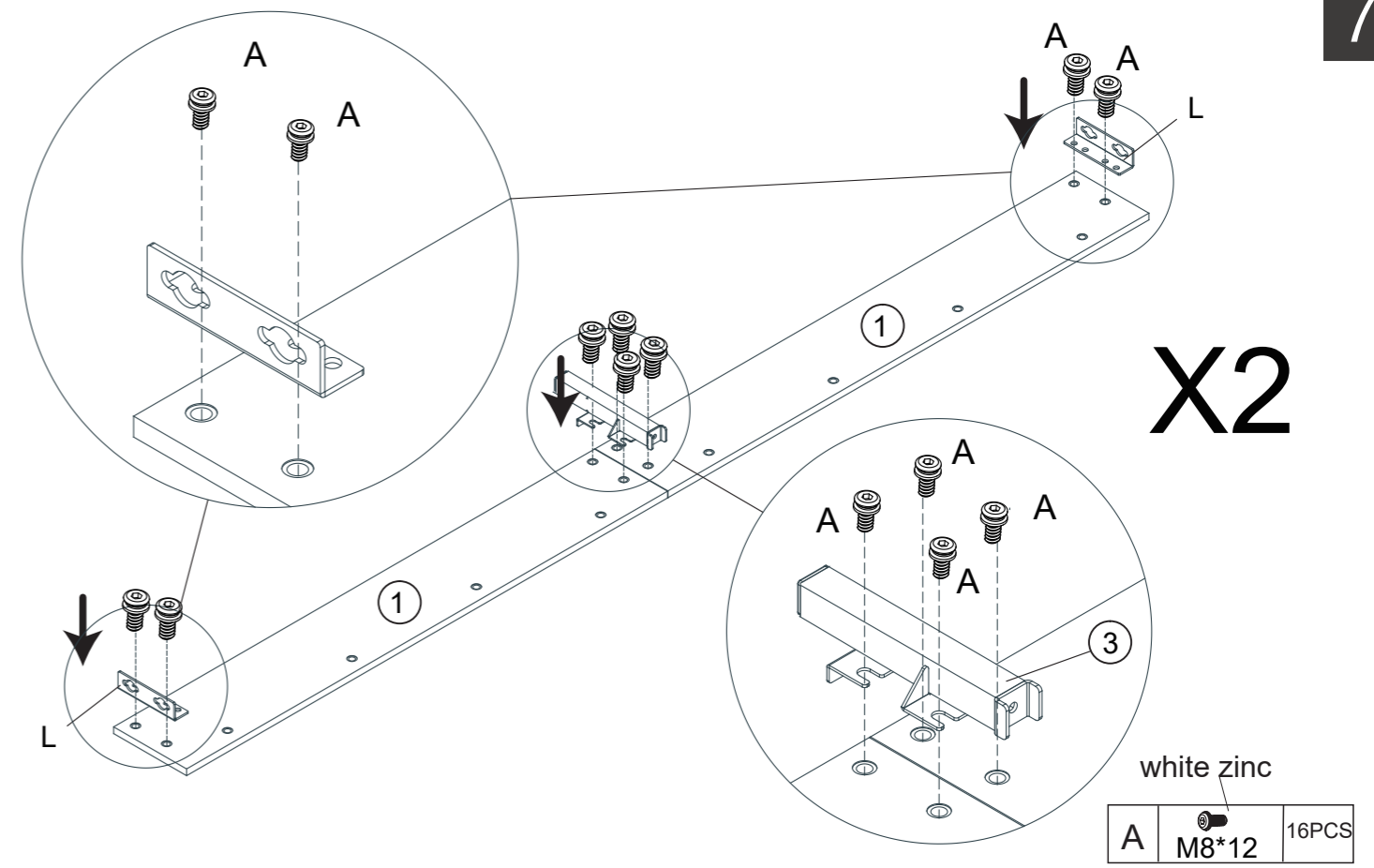
5



B M8x14 2PCS

ASSEMBLY INSTRUCTIONS

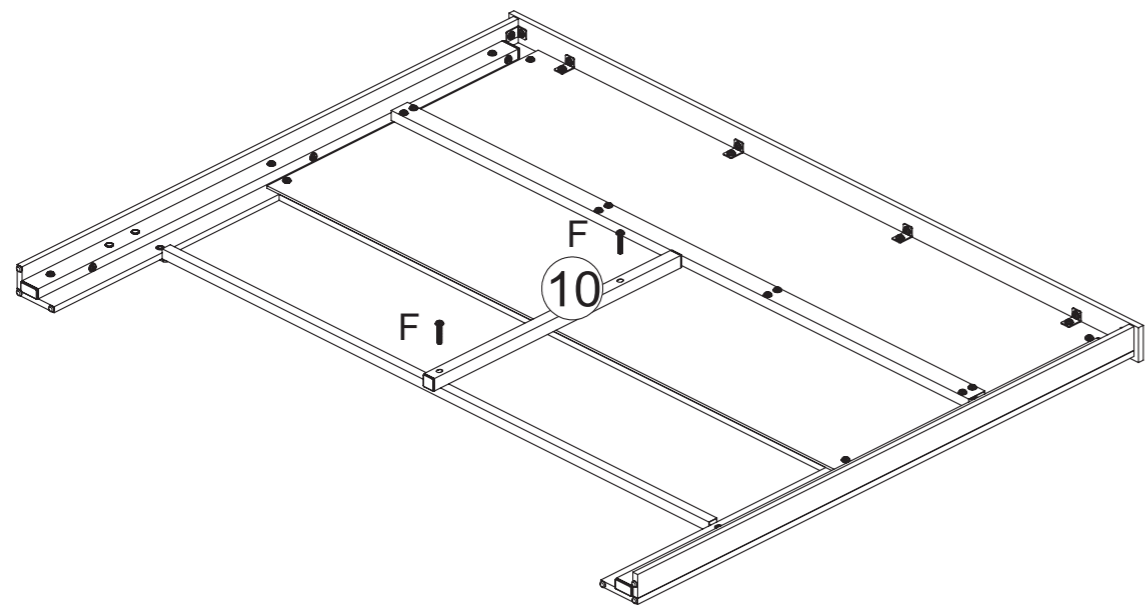
7



white zinc
A M8*12 16PCS

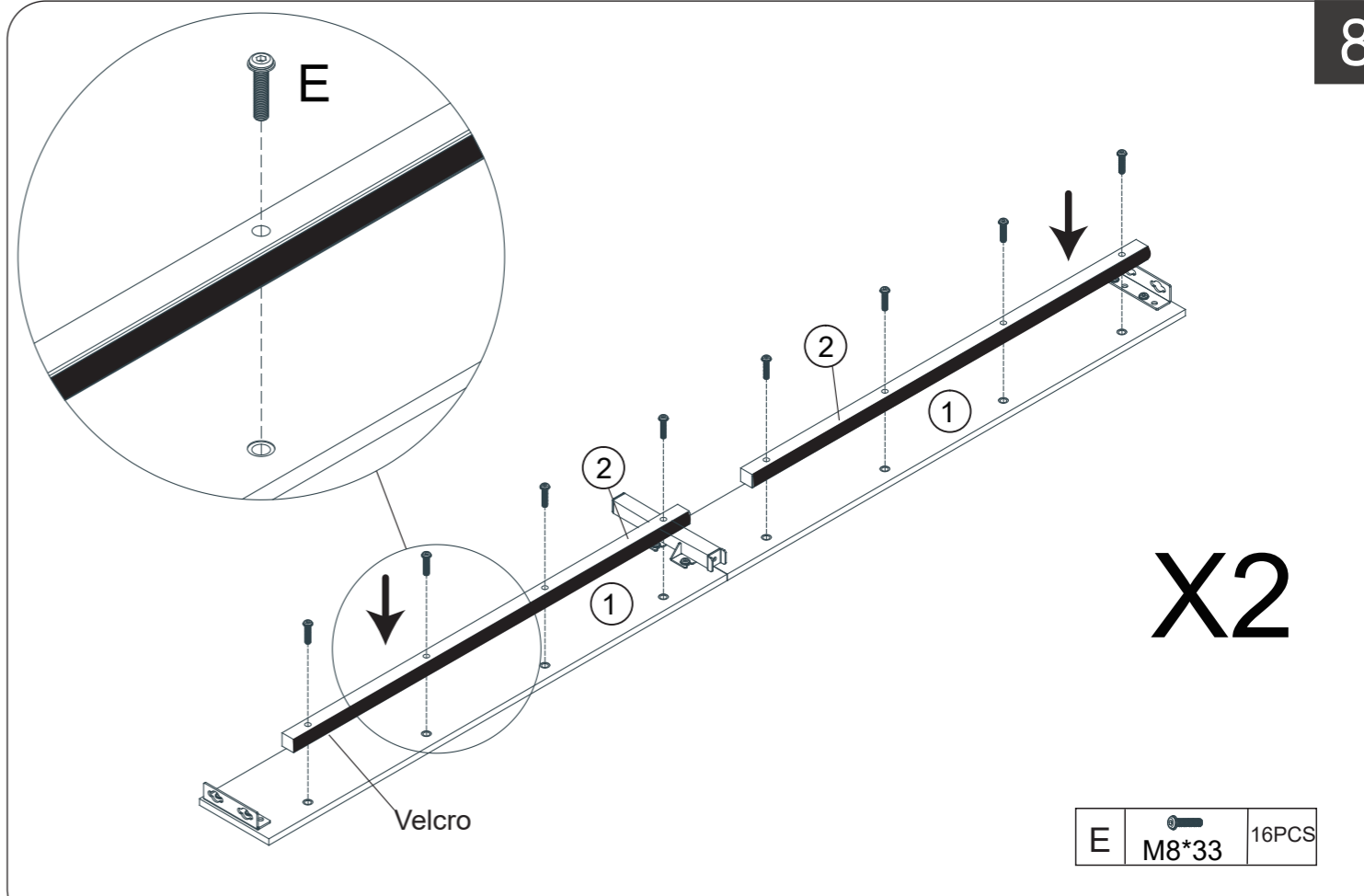
X2

6



F M8x40 2PCS

8

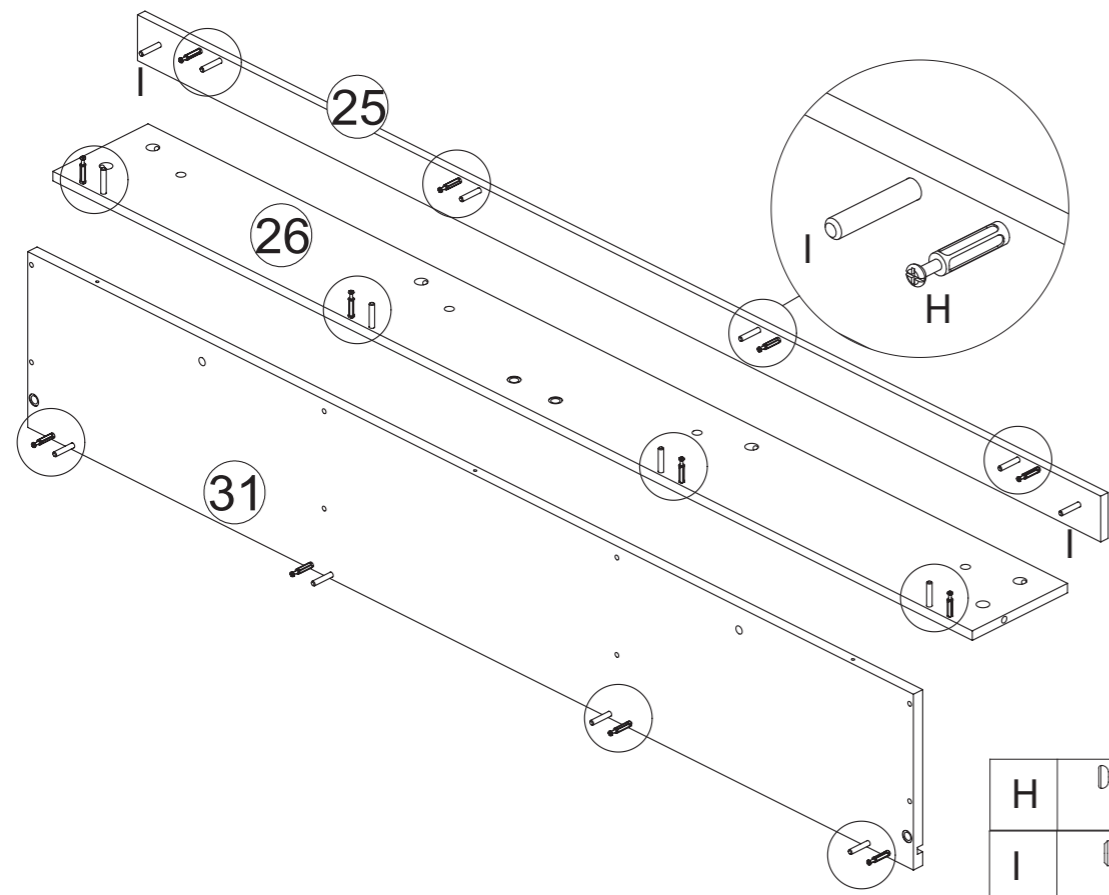


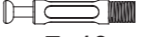
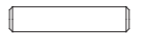
E M8*33 16PCS

X2

ASSEMBLY INSTRUCTIONS

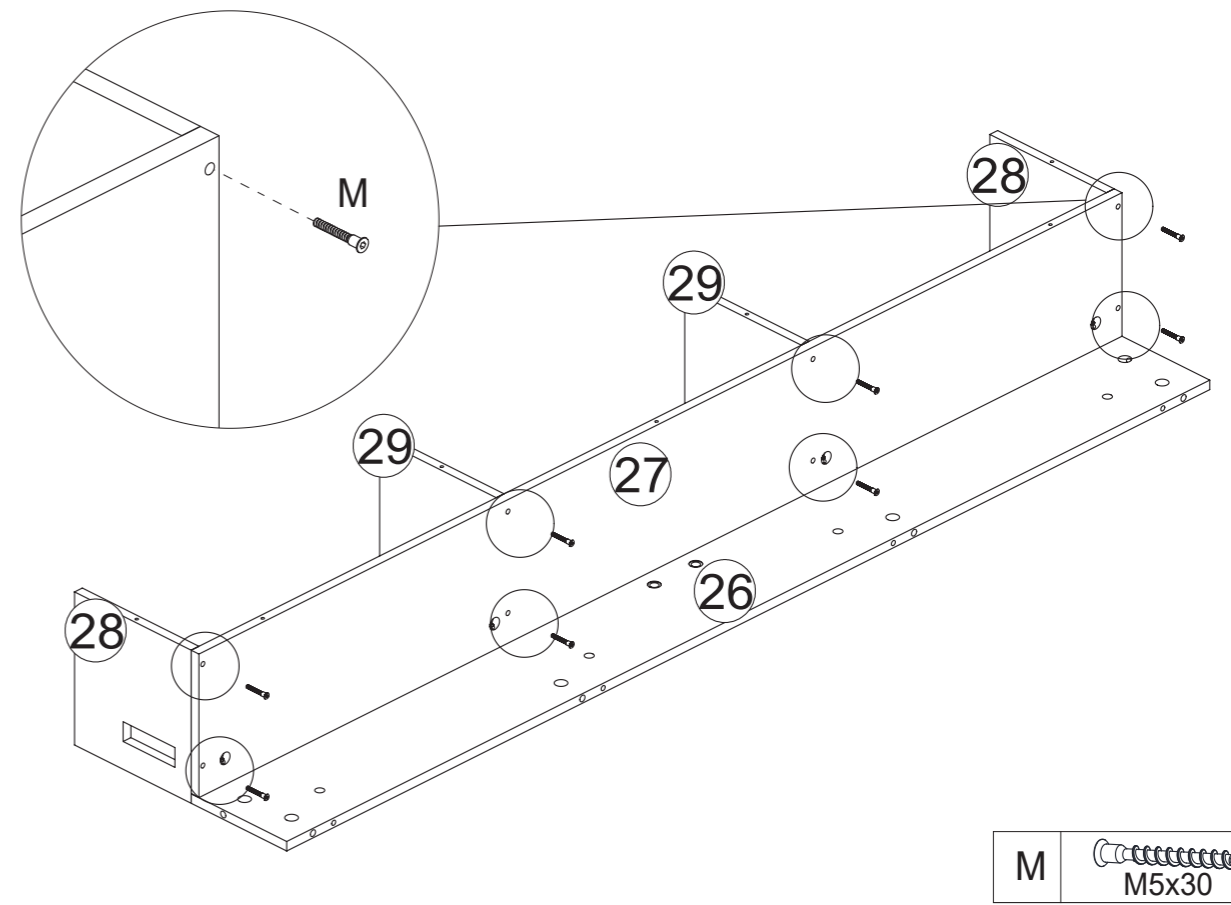
9




H	 $\phi 7 \times 40$	12PCS
I	 $\phi 6 \times 40$	14PCS

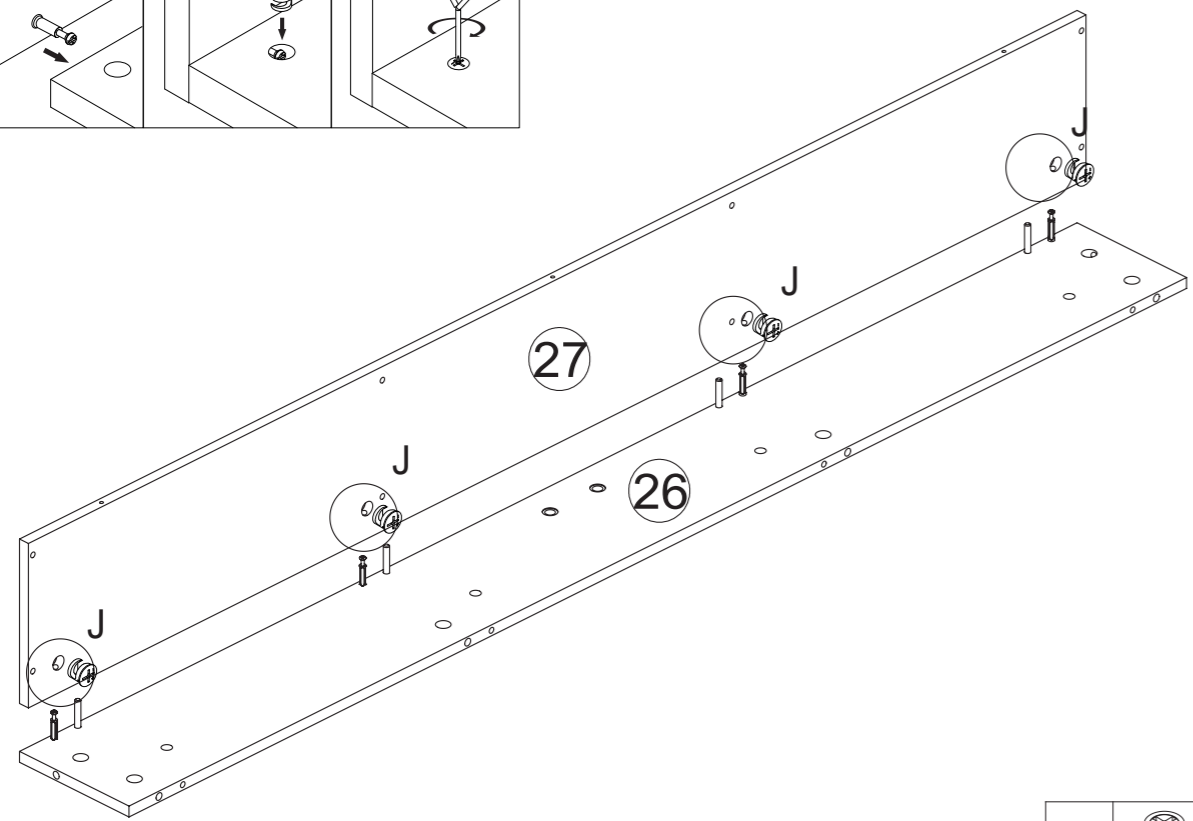
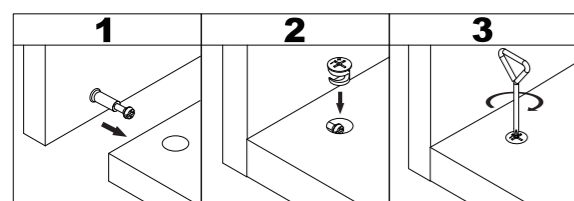
ASSEMBLY INSTRUCTIONS


11



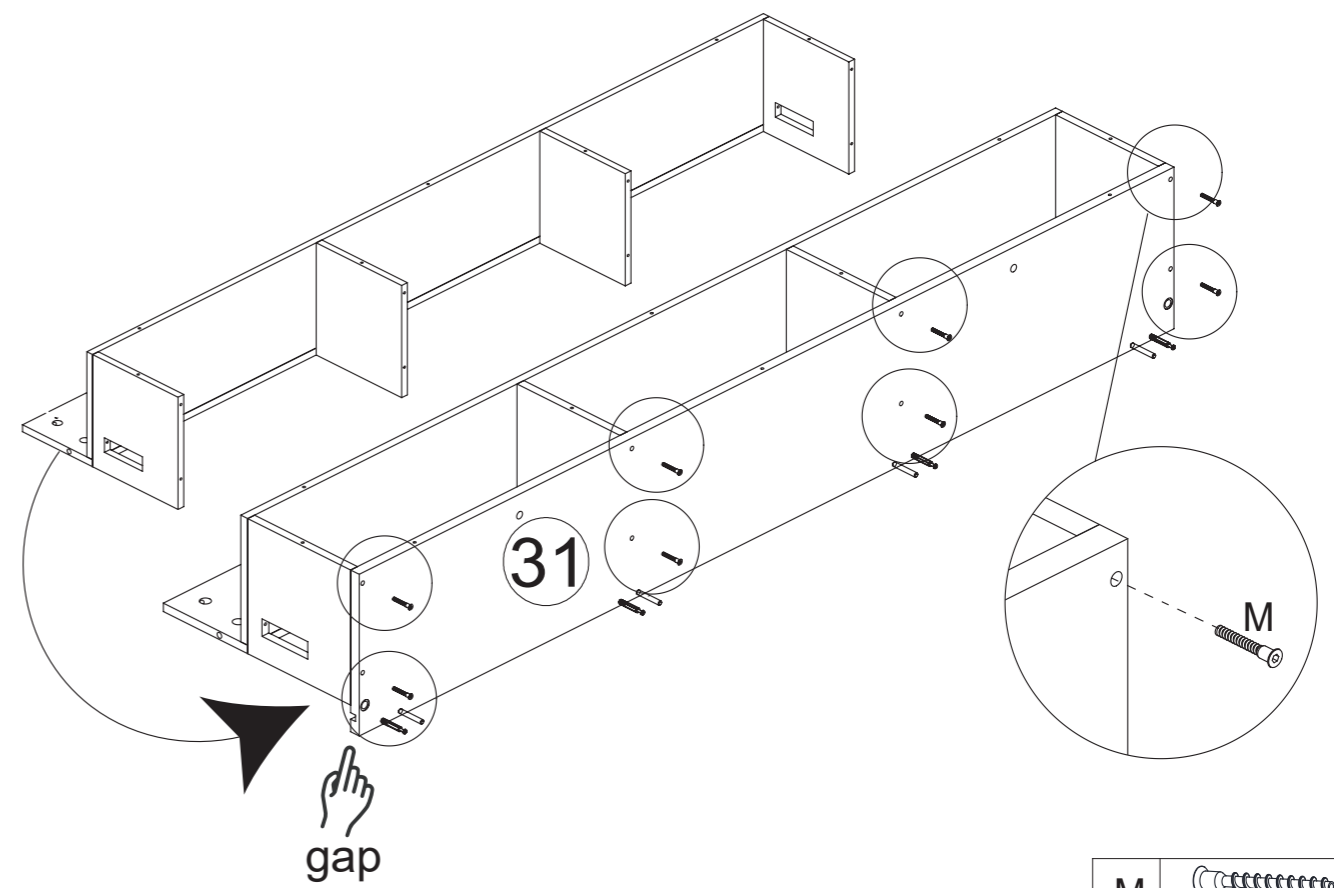
M	 M5x30	8 pcs
---	---	-------


10



J	 $\phi 15 \times 9.5$	4 pcs
---	--	-------

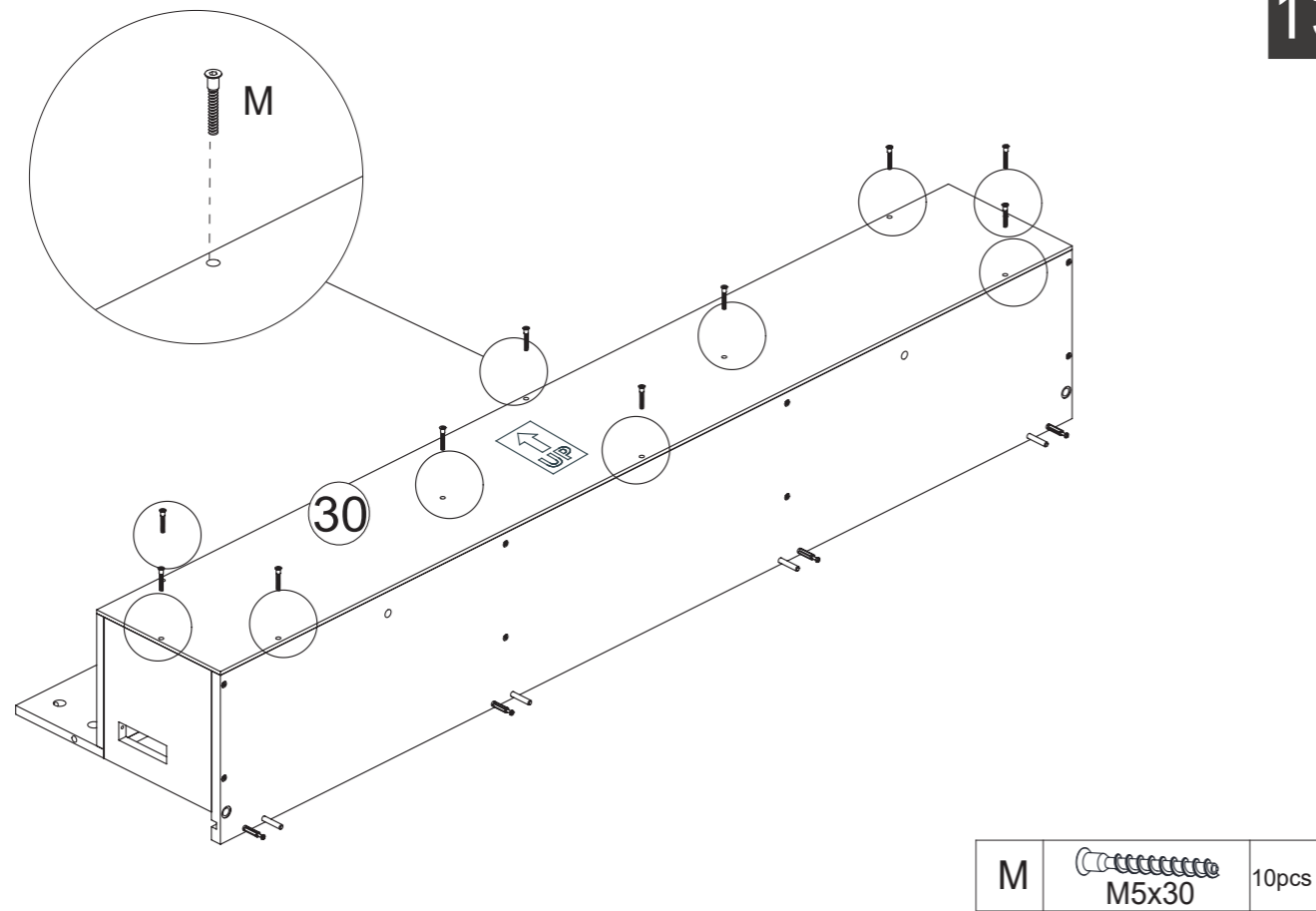
12



M	 M5x30	8 pcs
---	---	-------

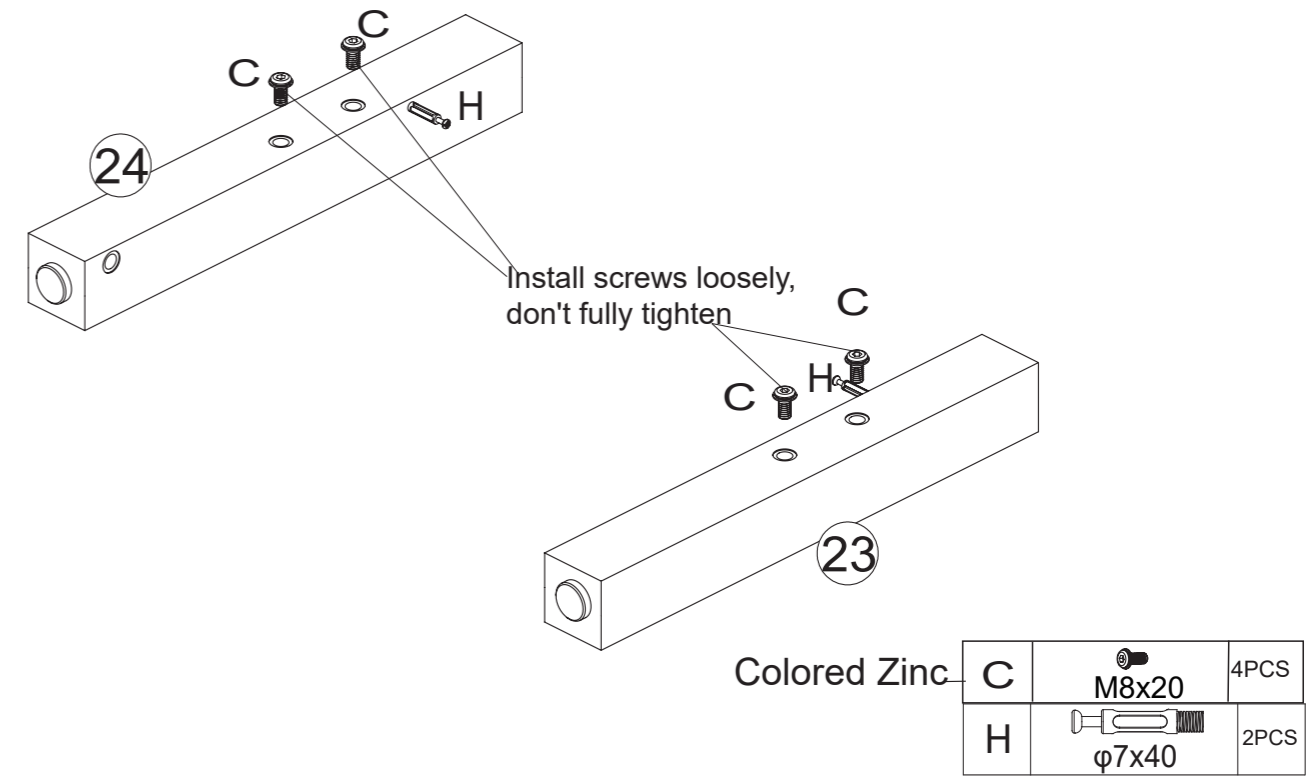
ASSEMBLY INSTRUCTIONS

13

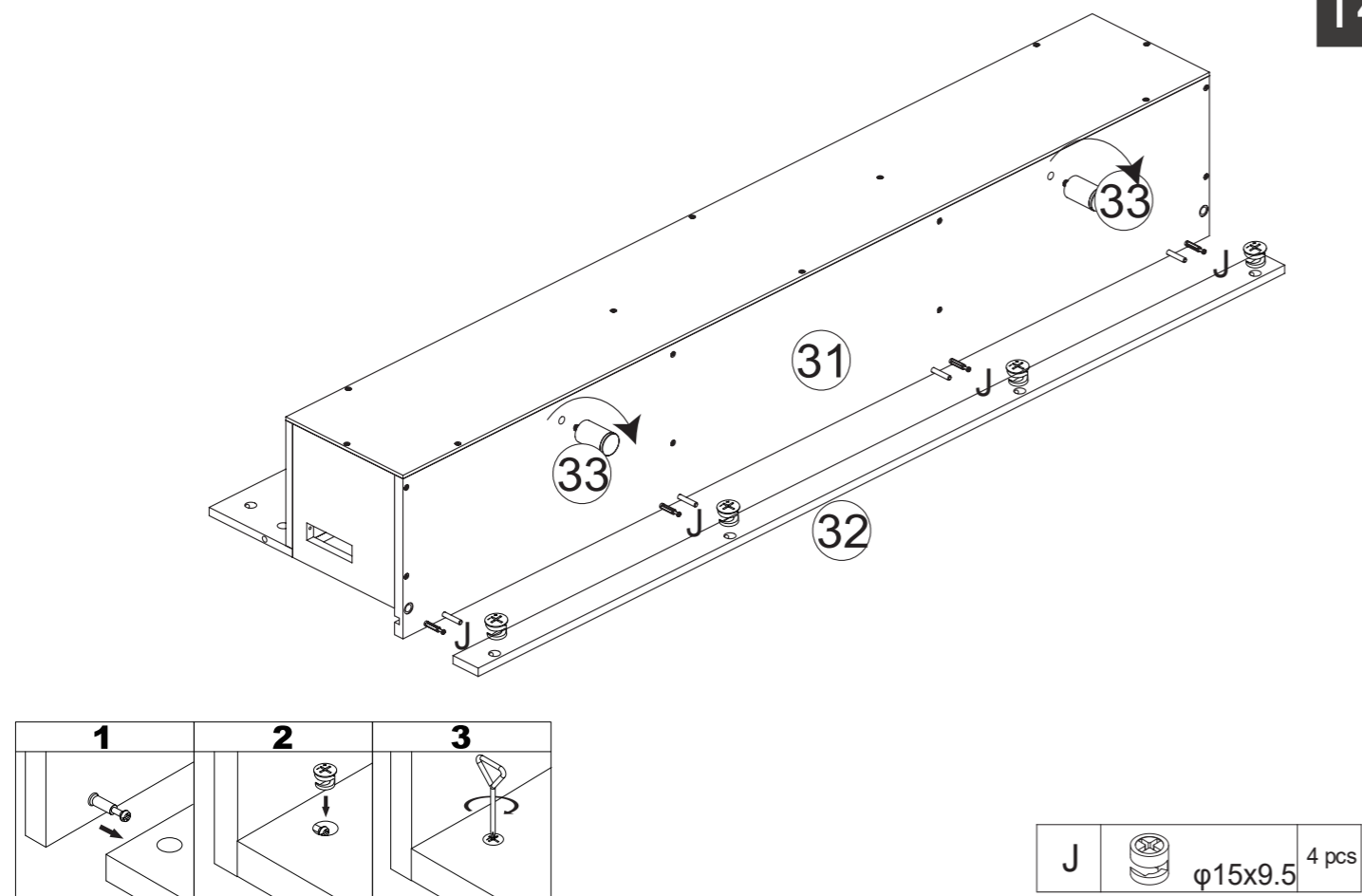


ASSEMBLY INSTRUCTIONS

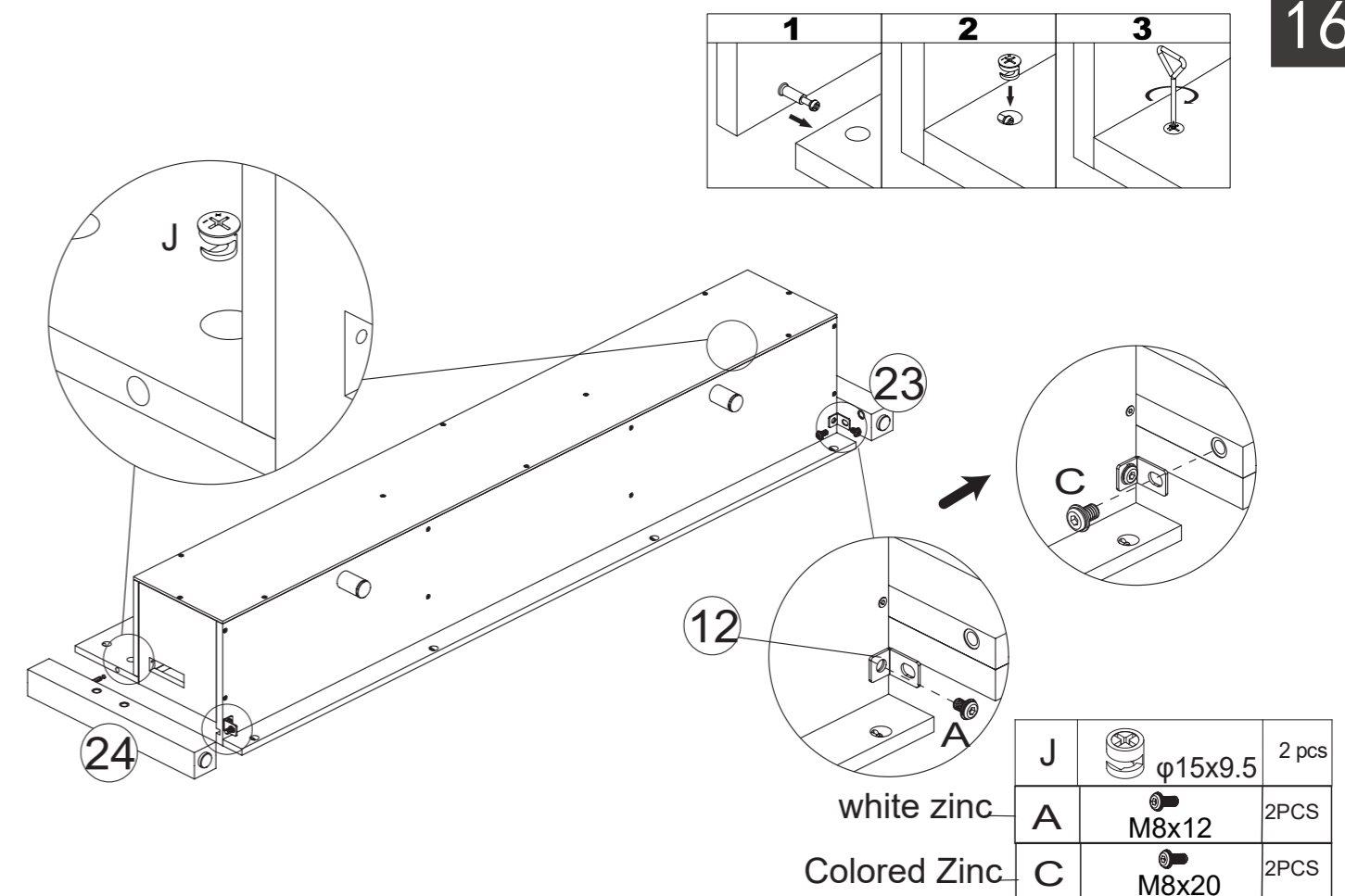
15



14

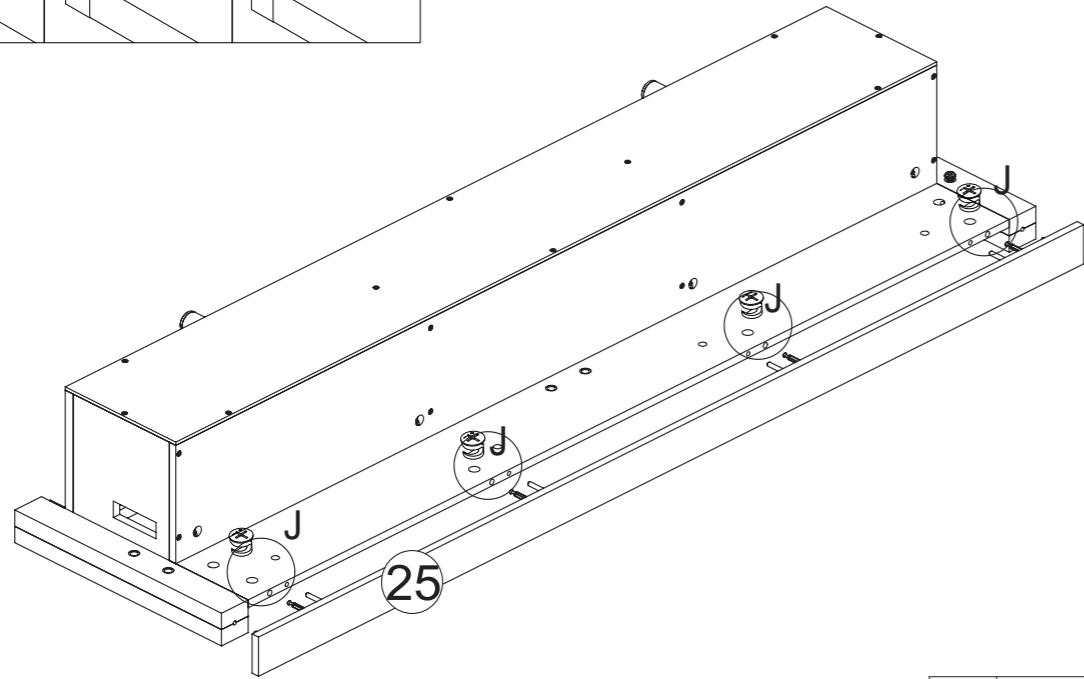
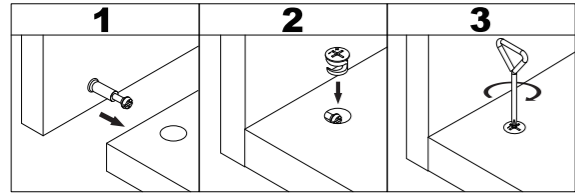


16



ASSEMBLY INSTRUCTIONS

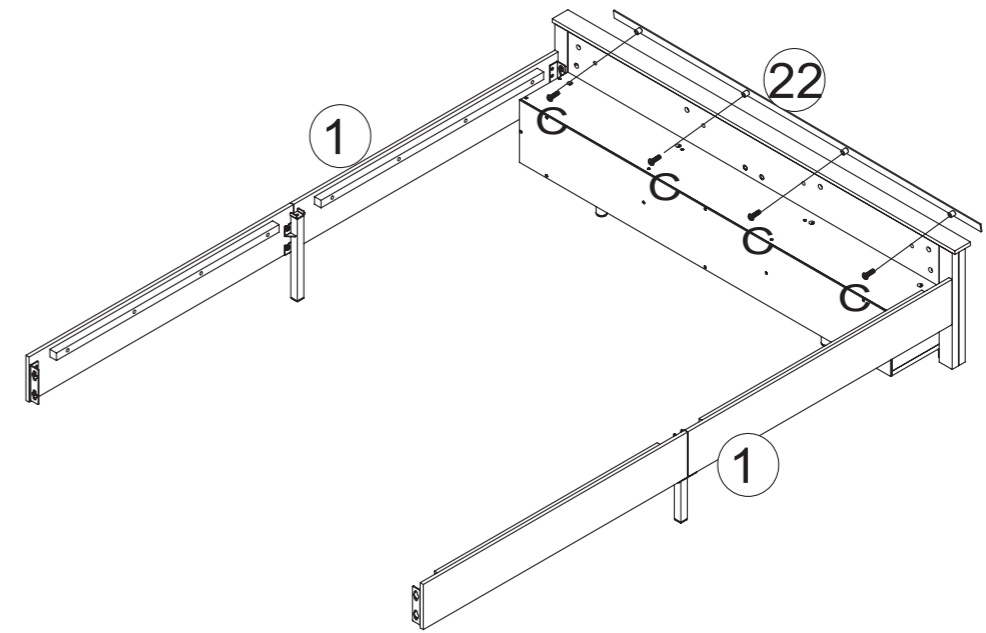
17



J  $\phi 15 \times 9.5$ 4 pcs

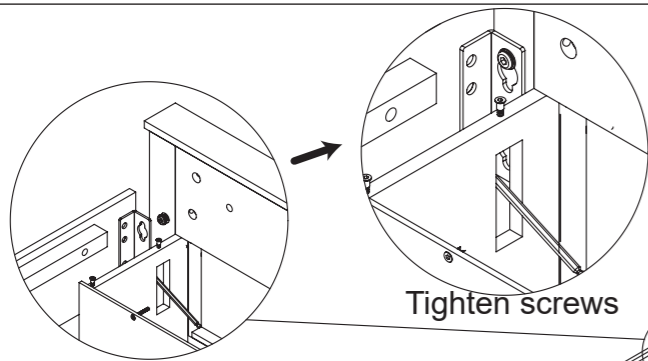
ASSEMBLY INSTRUCTIONS

19

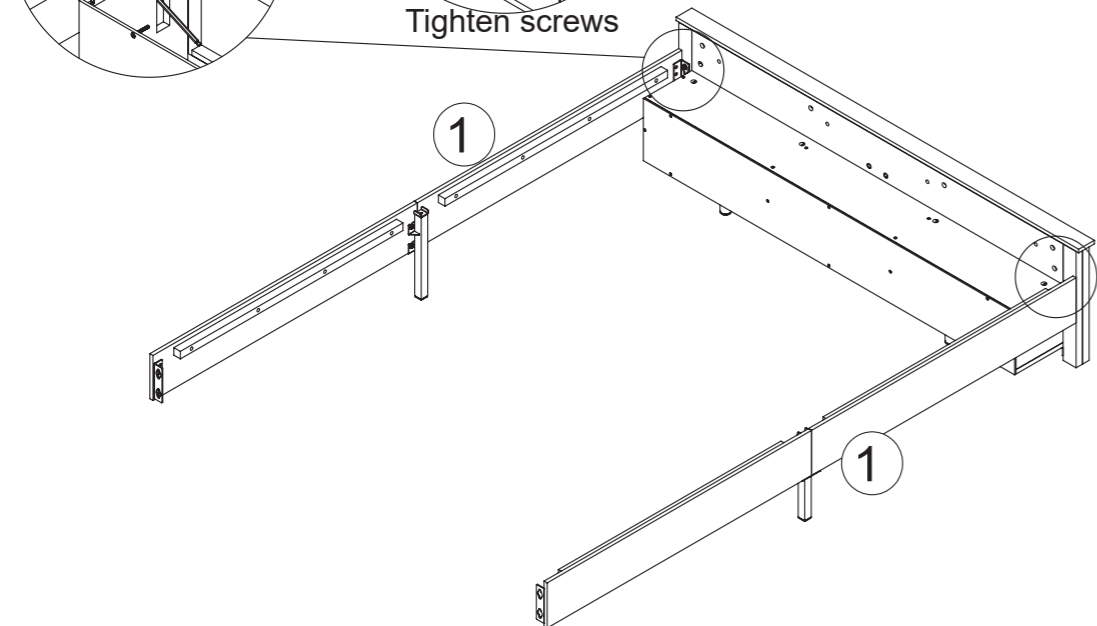


Colored Zinc  M8x20 4PCS

18

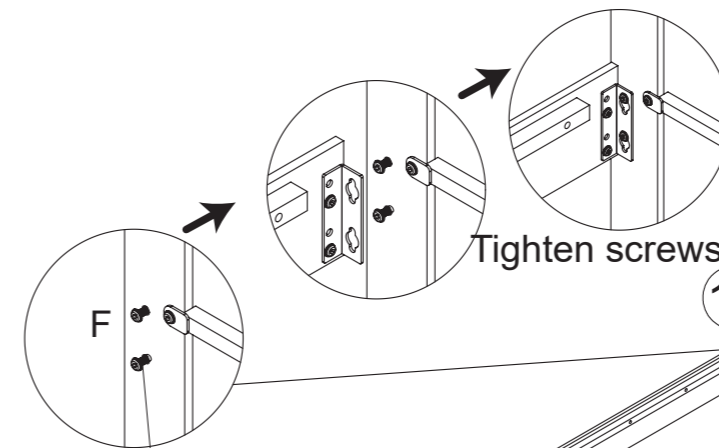


Tighten screws



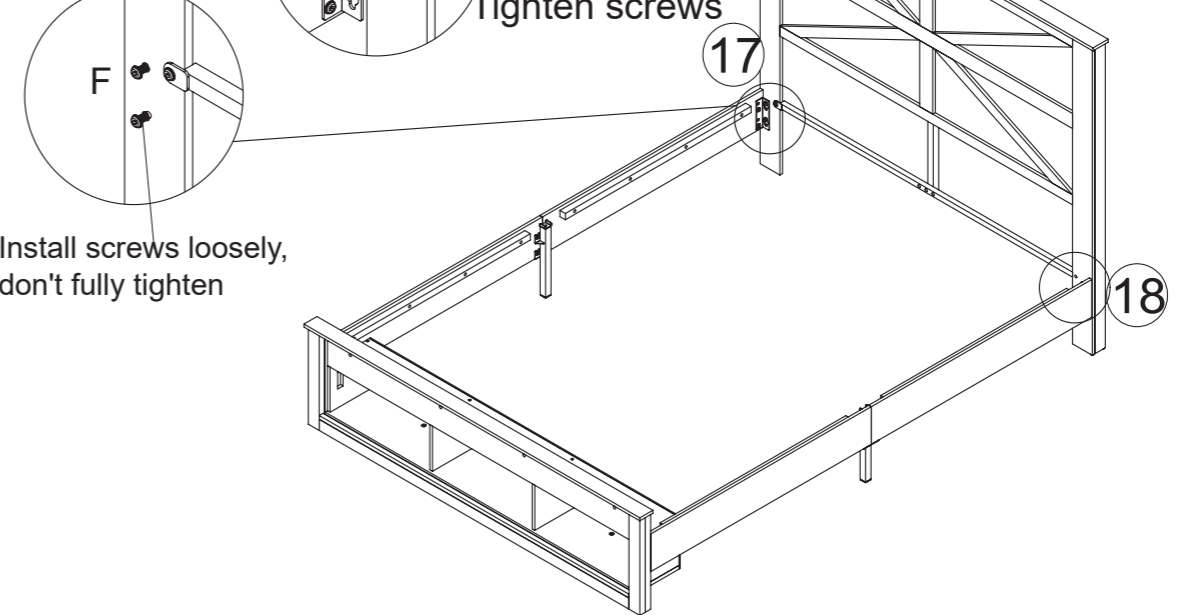
14/18

20



Tighten screws

Install screws loosely,
don't fully tighten

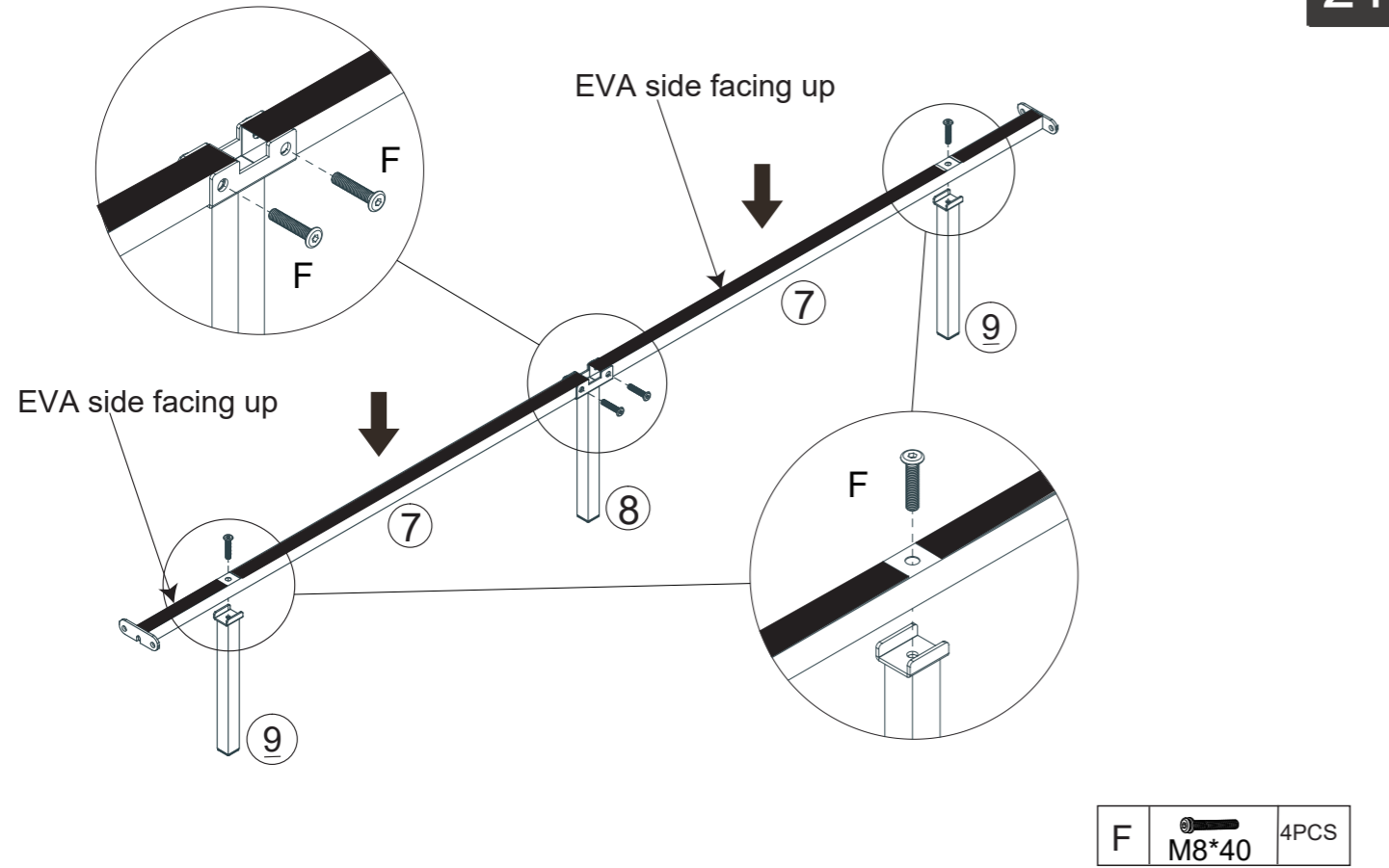


F  M8x40 4PCS

15/18

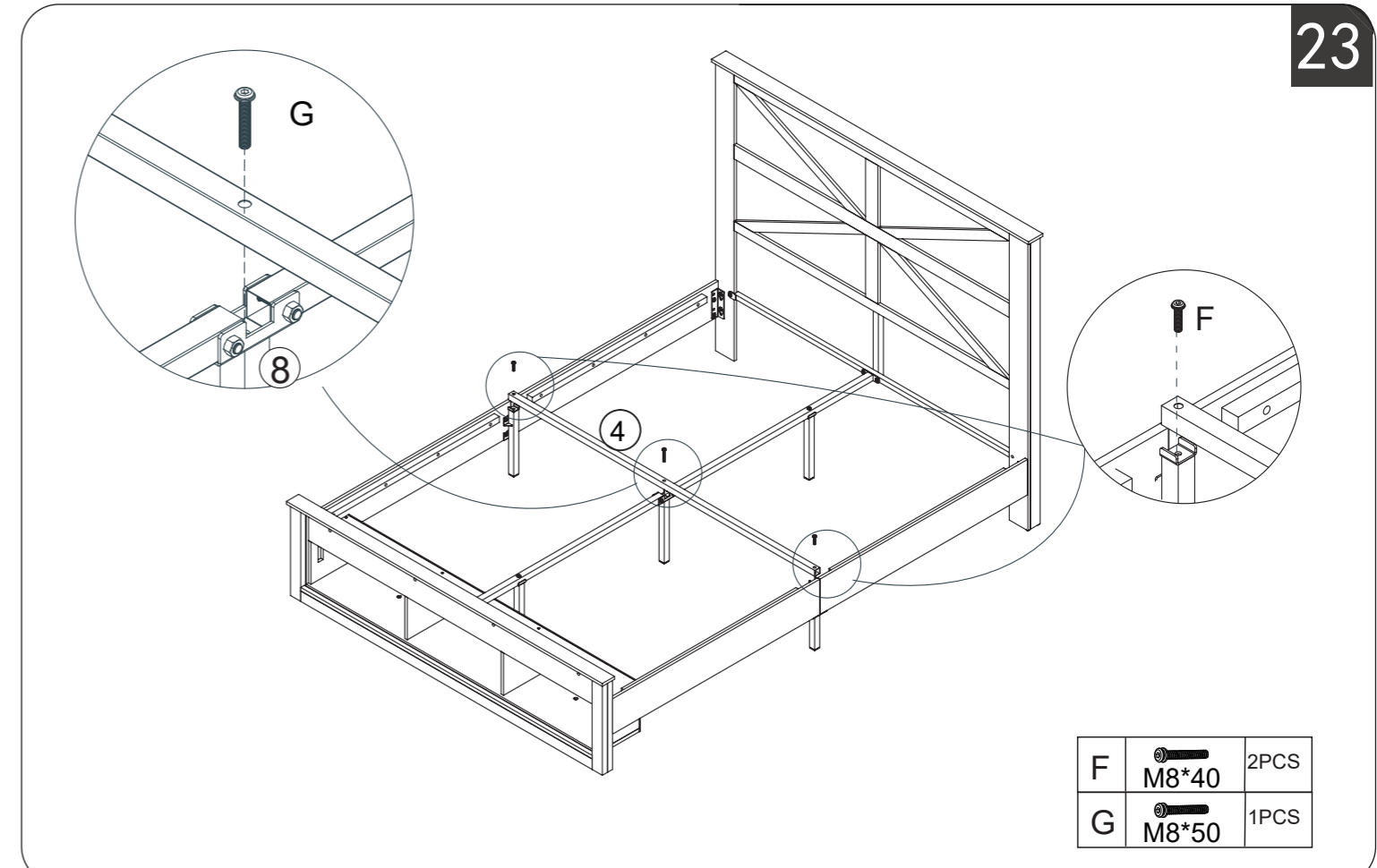
ASSEMBLY INSTRUCTIONS

21

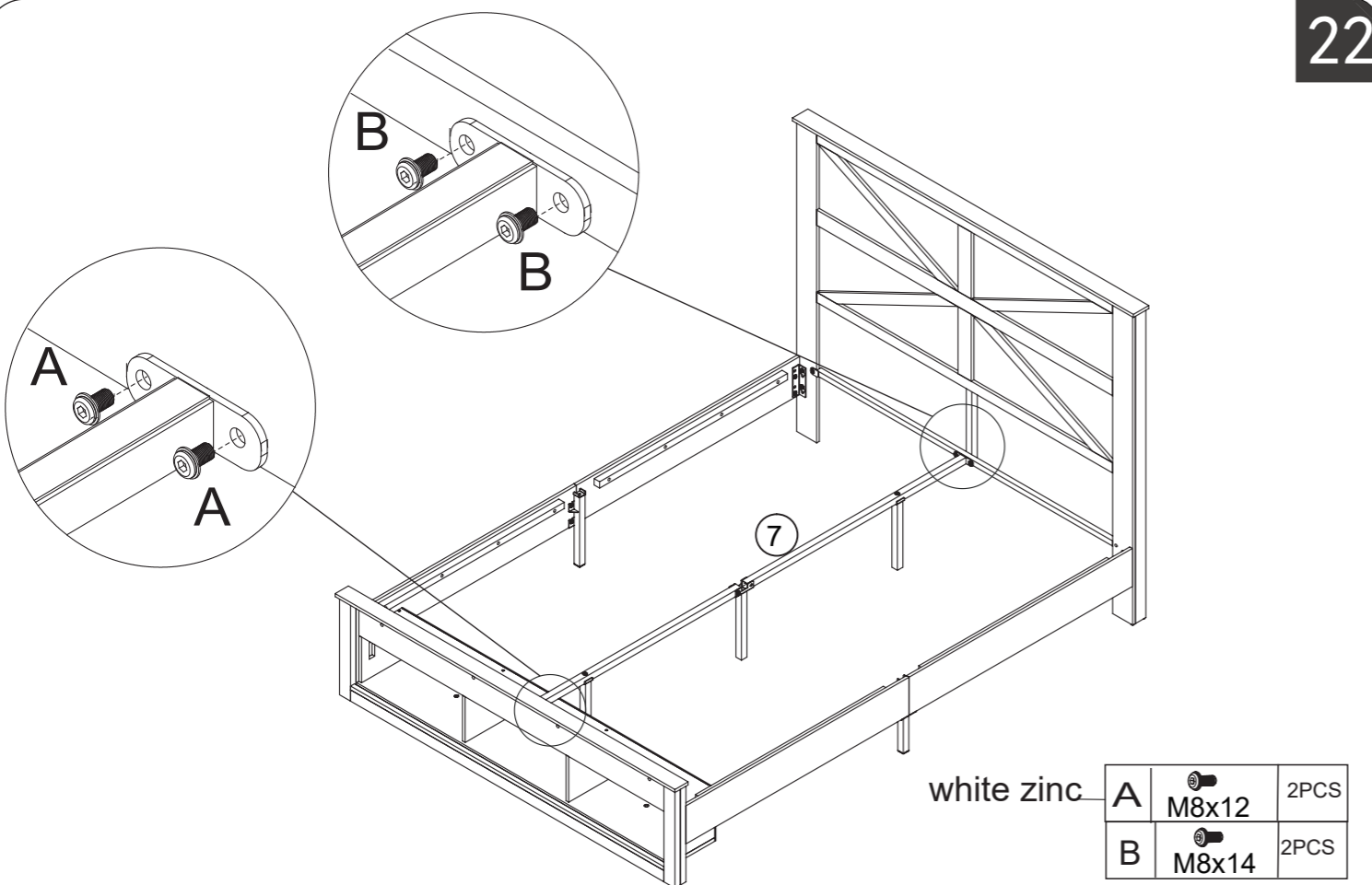


ASSEMBLY INSTRUCTIONS

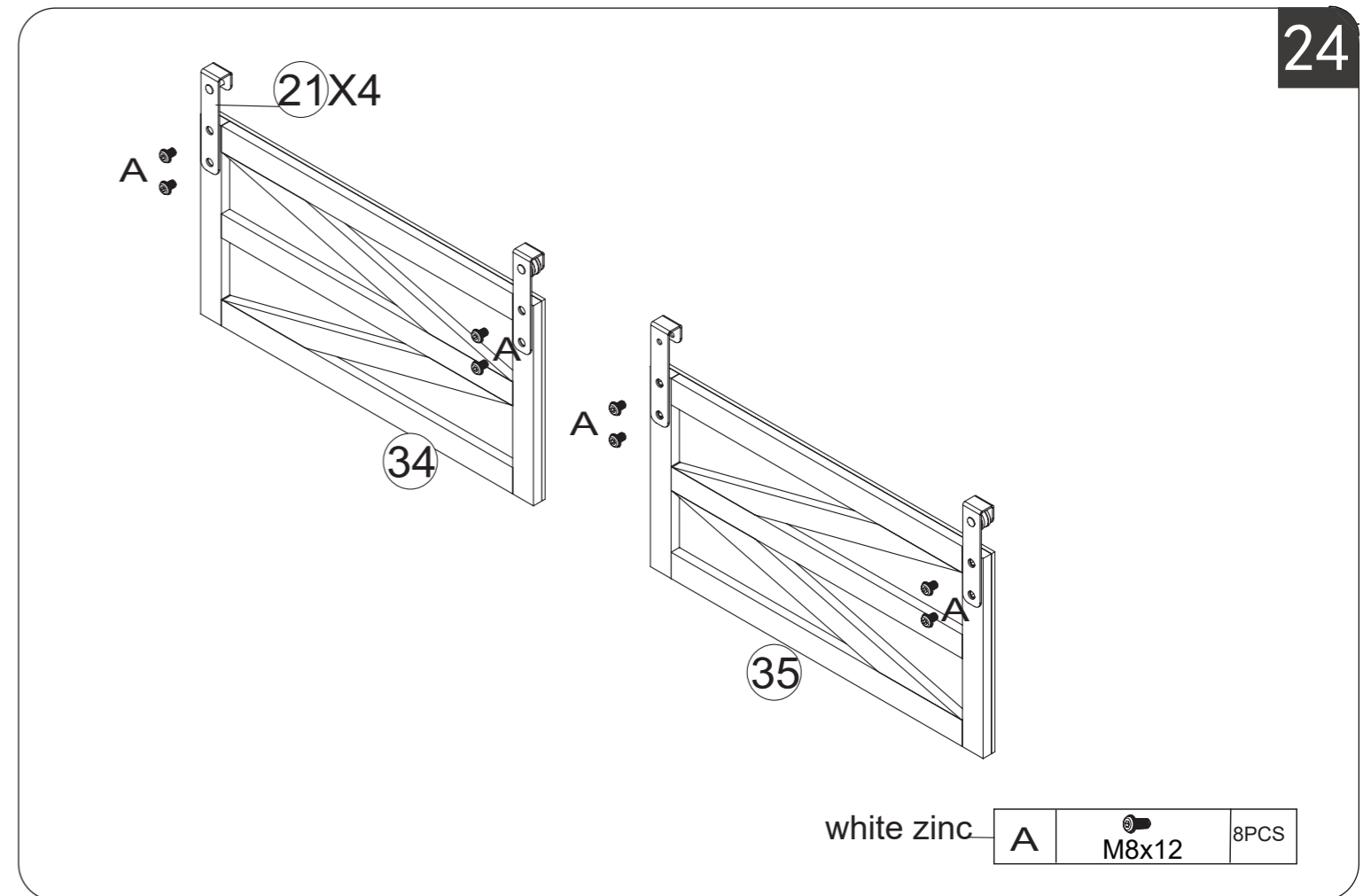
23



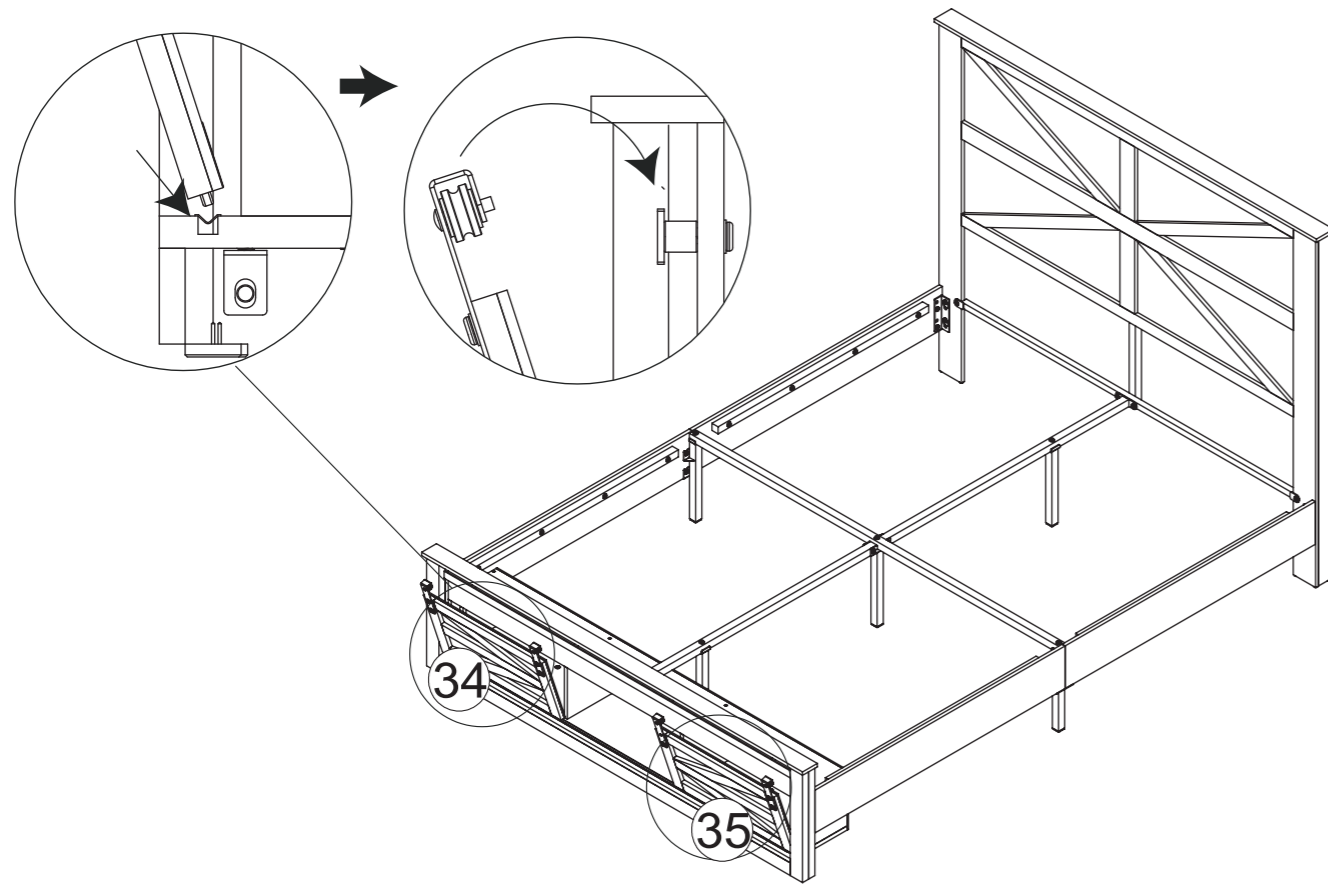
22



24

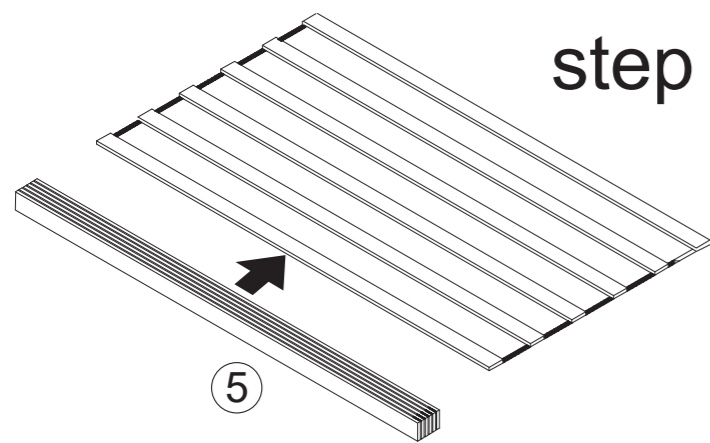


25

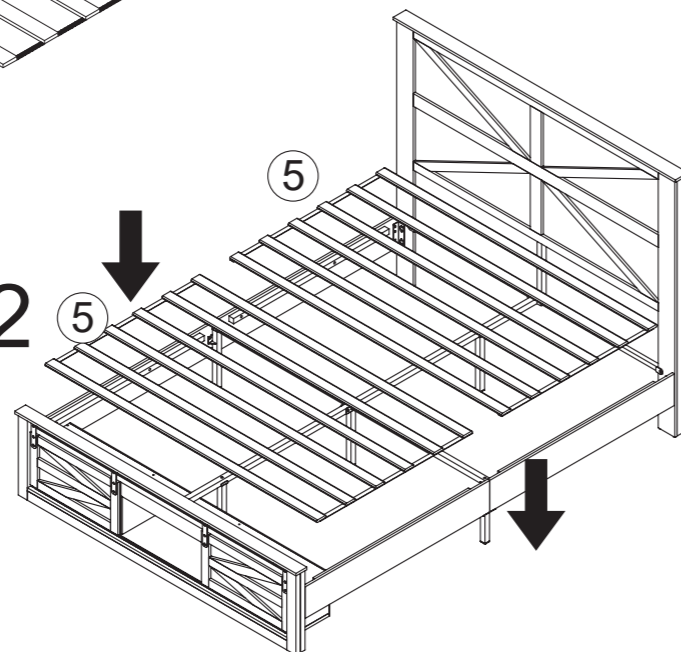


26

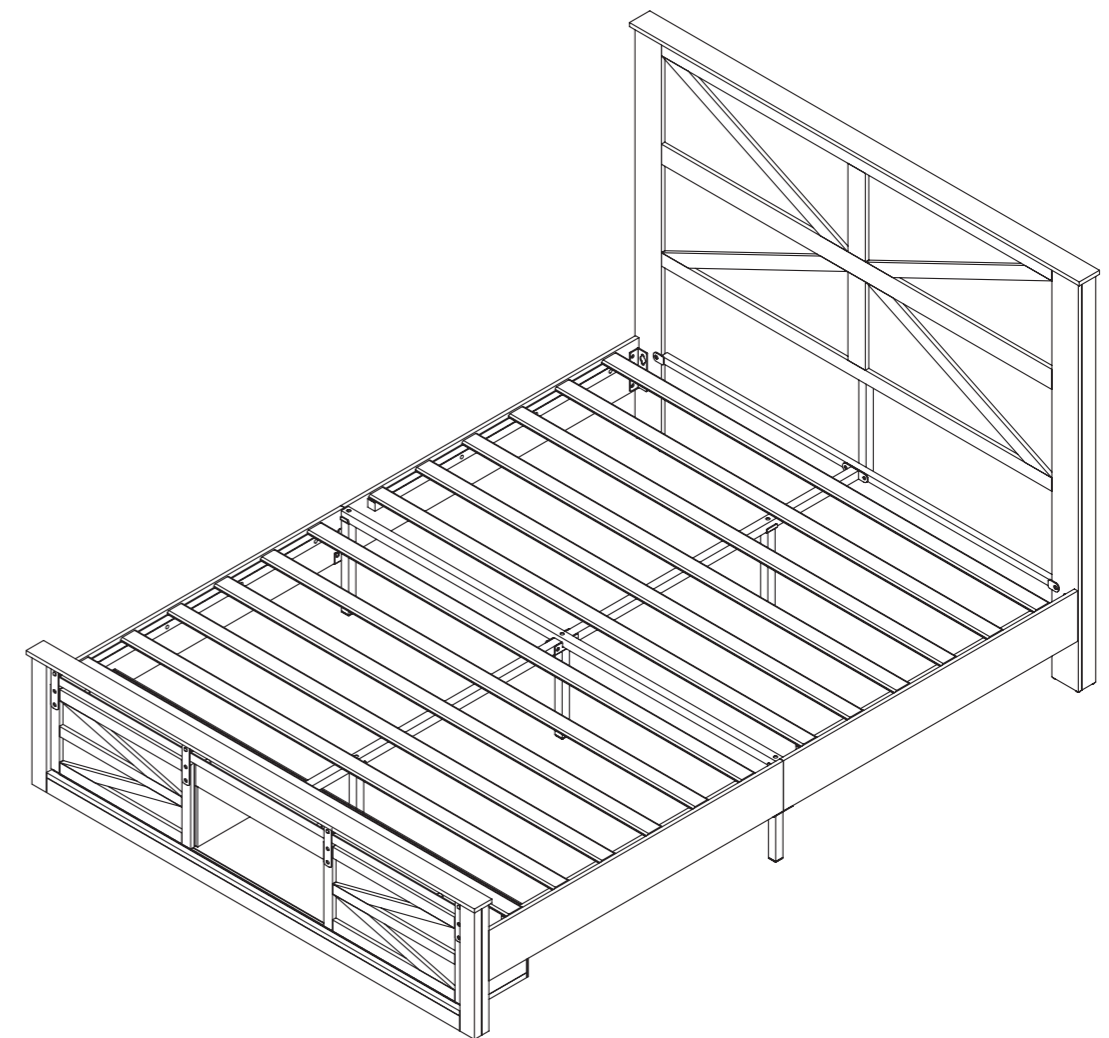
step 1



step 2



27



Installation Complete