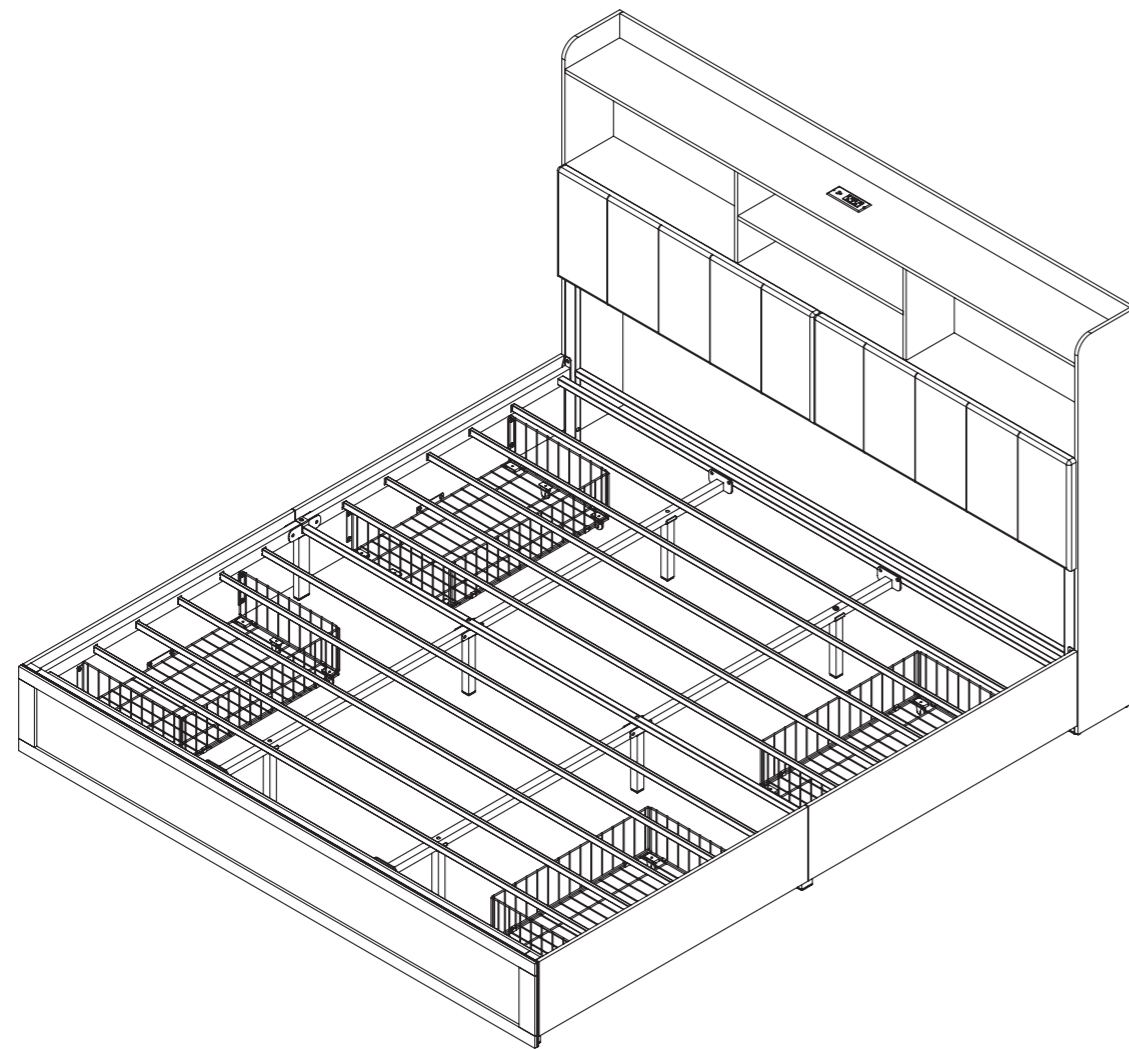


Storage Platform Bed-K Assembly Instructions



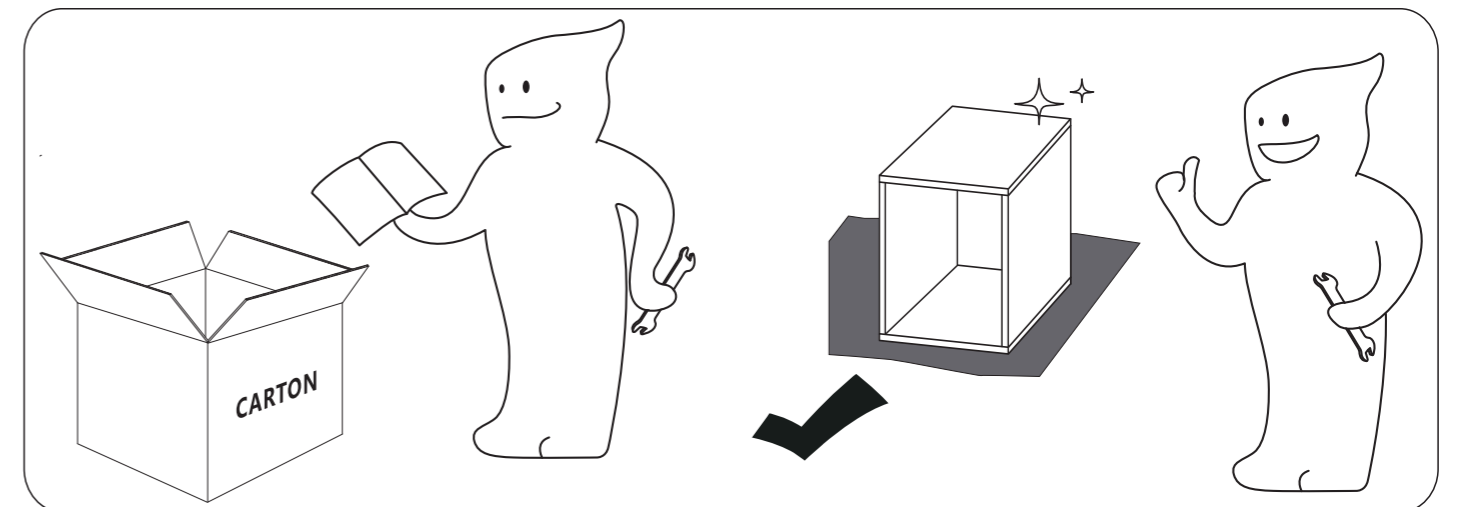
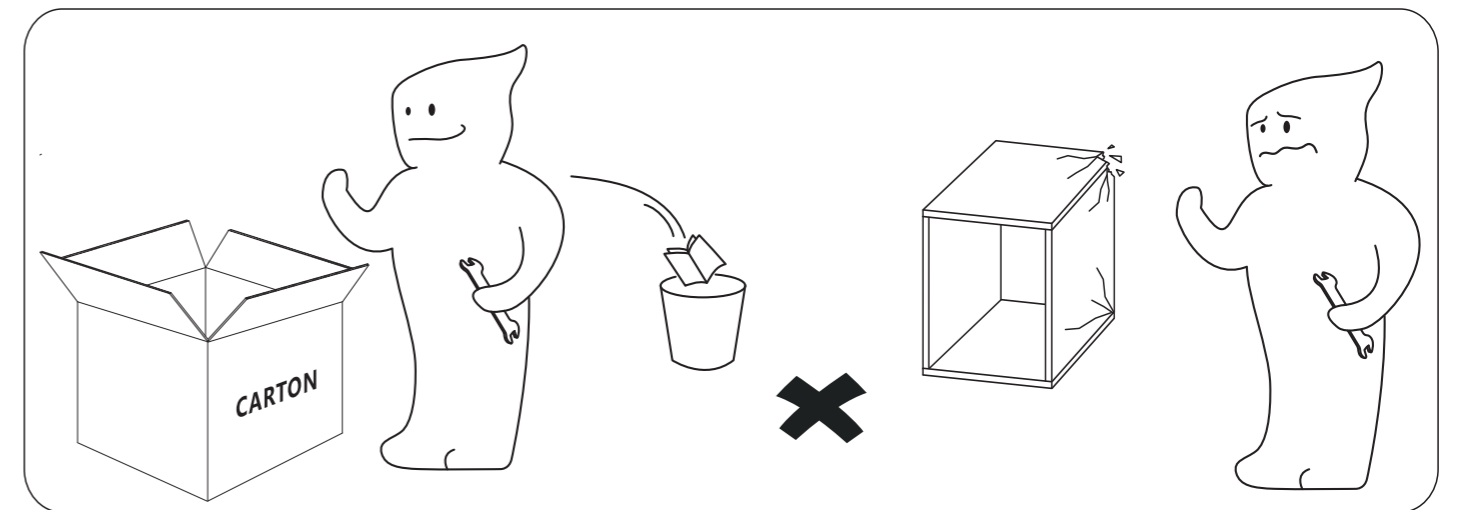
Dear Customers,

Thank you for purchasing our product. Please read this instruction manual carefully after receiving this product. It will help you assemble this product quickly, safely and correctly. You can keep this manual for future reference.

MADE IN CHINA



Please follow the instruction manuals and use a pad to protect the product during your assembly.

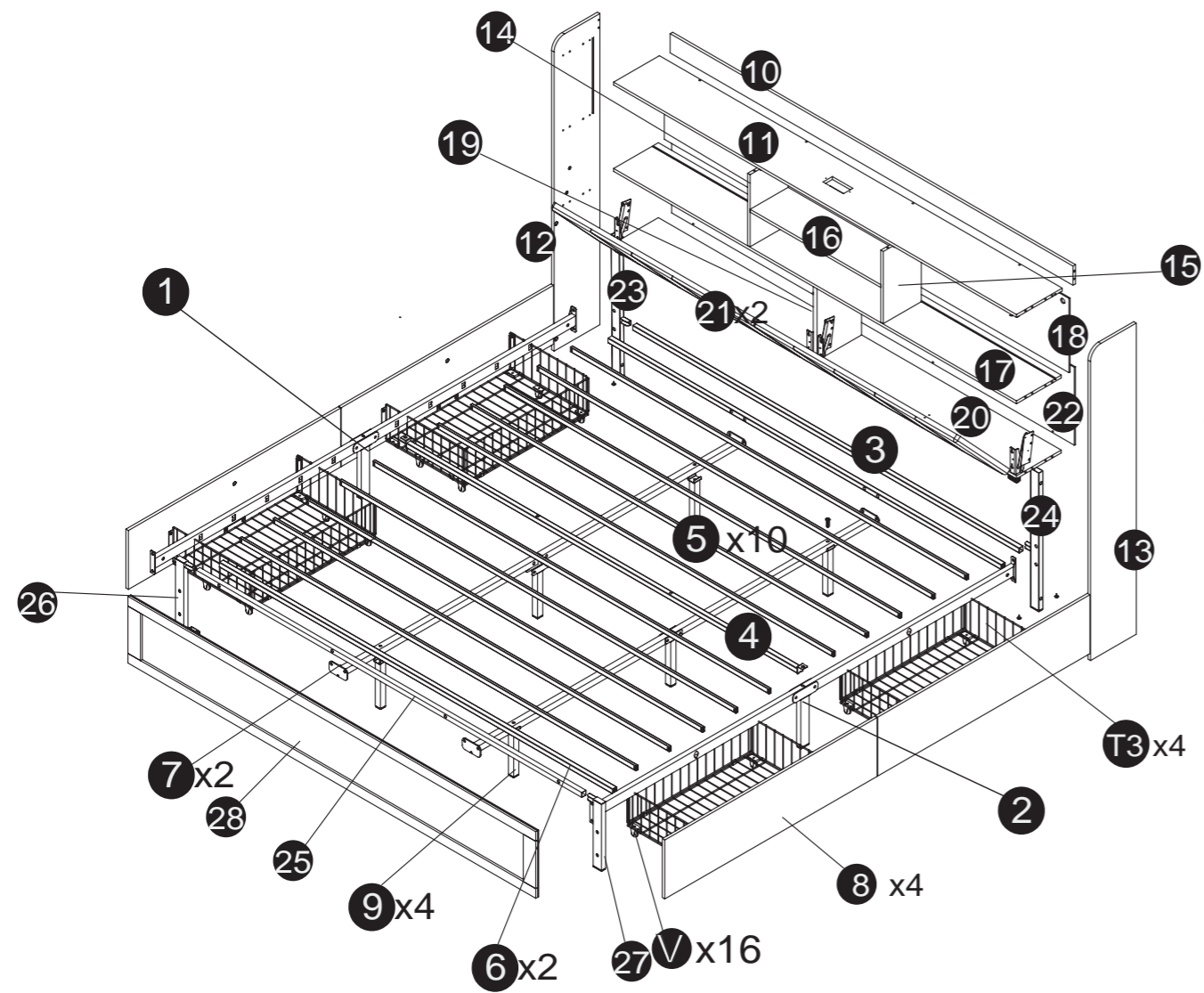


Note:

1. Should be assembled on flat ground to keep balance.
2. Before completing the installation, do not tighten the screws.

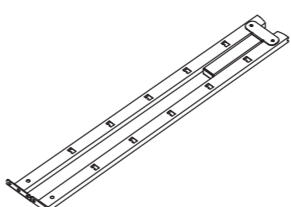
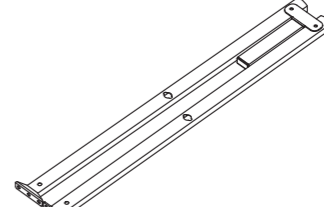
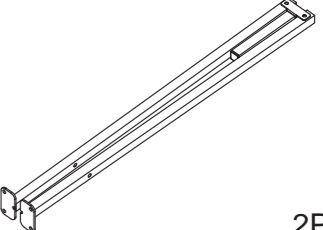
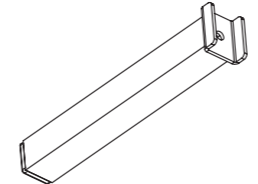
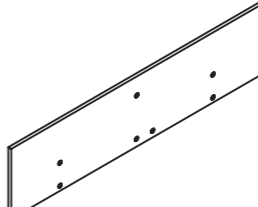
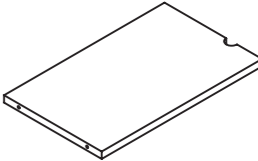
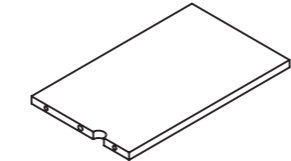
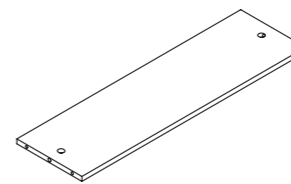
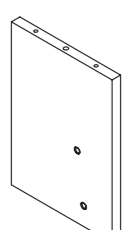
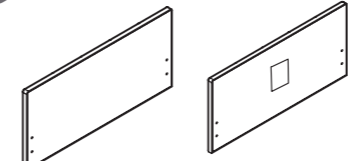
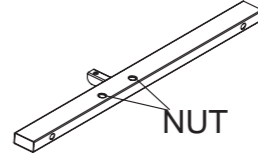
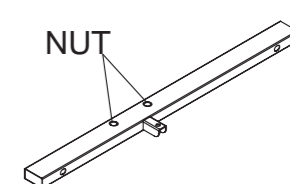
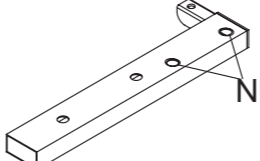
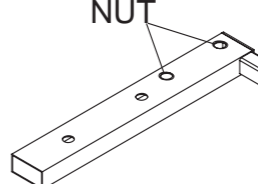
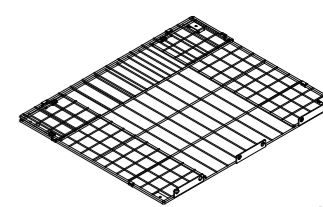

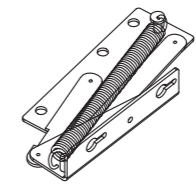
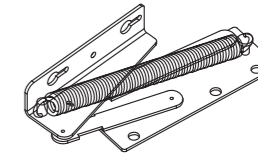
For easier and better assembly, 2 or more adults are required.

ASSEMBLY INSTRUCTIONS








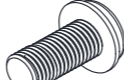
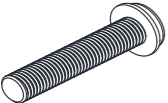
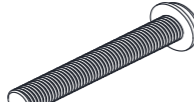



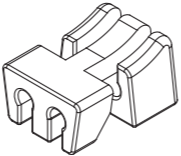
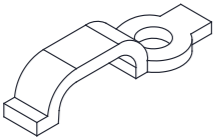

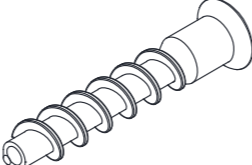
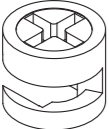
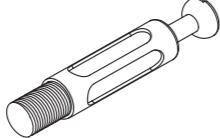
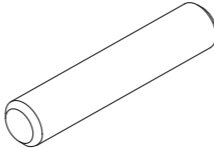
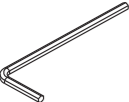

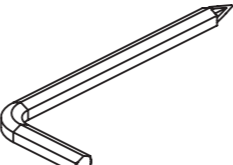
ASSEMBLY INSTRUCTIONS

The box 1

1  1PC	2  1PC	7  2PCS
9  4PCS	8  4PCS	14  1PC
15  1PC	16  1PC	19  1PC
21  1PC	23  1PC	24  1PC
26  1PC	27  1PC	T3  4PCS
V  16PCS	J1  2PCS	J2  2PCS

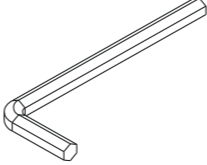
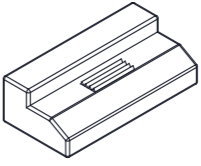
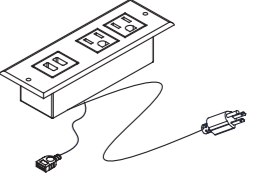
ASSEMBLY INSTRUCTIONS

The box 1 continued

A  ST3.2x12 5PCS	B  ST4.2x12 2PCS	C  M8x12 white zinc 24PCS
D  M8x14 Colored Zinc 4PCS	E  M8x18 16PCS	F  M8x30 12PCS
G  M8x40 8PCS	H  M8x50 4PCS	I  M8x60 4PCS
J  M6x12 12PCS	L  M6x10 white zinc 4PCS	M  8PCS
N  5PCS	O  M4x10 16PCS	P  M5x30 19PCS
Q  φ15x9.5 19PCS	R  φ7x40 19PCS	S  φ6x40 24PCS
T  M4 1PC	W  M5 1PC	Y1  M8 1PC

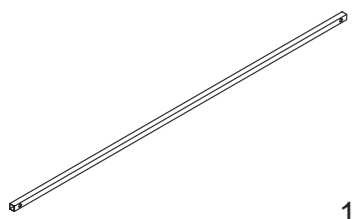
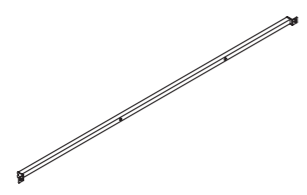
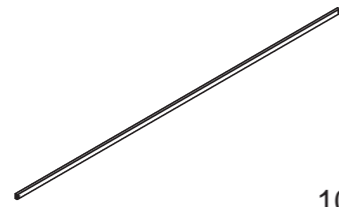
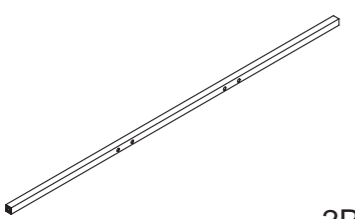
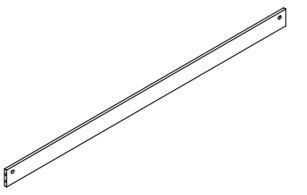
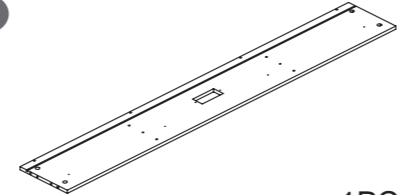
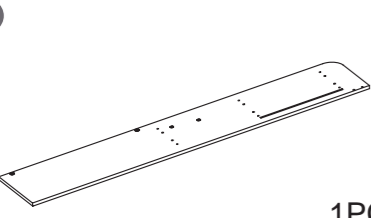
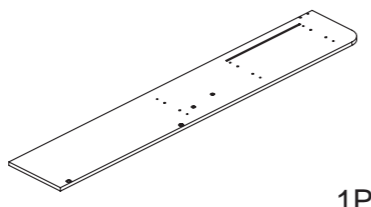
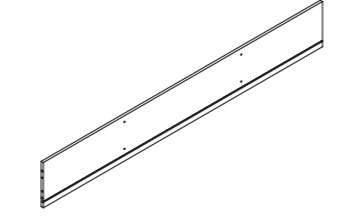
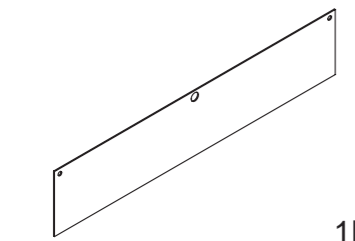
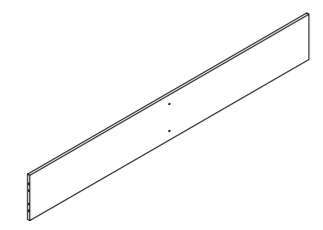
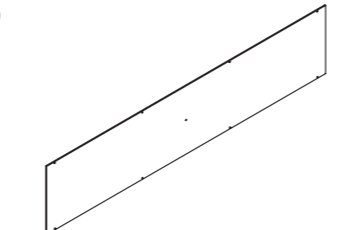
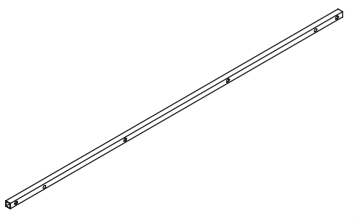
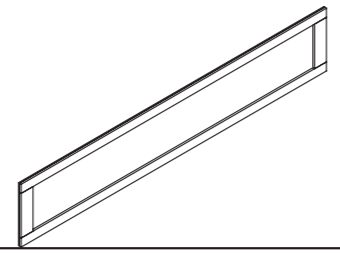
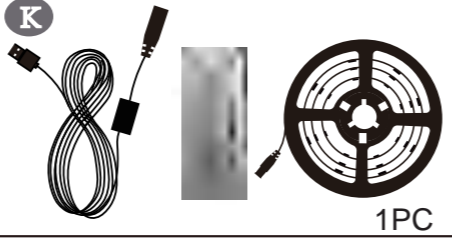
ASSEMBLY INSTRUCTIONS

The box 1 continued

Y2  1PC	Z  20PCS	U  1PC
---	--	--

ASSEMBLY INSTRUCTIONS

The box 2

3  1PC	4  1PC	5  10PCS
6  2PCS	10  1PC	11  1PC
12  1PC	13  1PC	17  1PC
18  1PC	20  1PC	22  1PC
25  1PC	28  1PC	K  1PC

ASSEMBLY INSTRUCTIONS


1

Do not obstruct the installation holes on both ends of the light strip, otherwise it will affect subsequent assembly


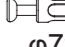

Accessory N is not locked tight at first

Tear double-sided adhesive tape apart.

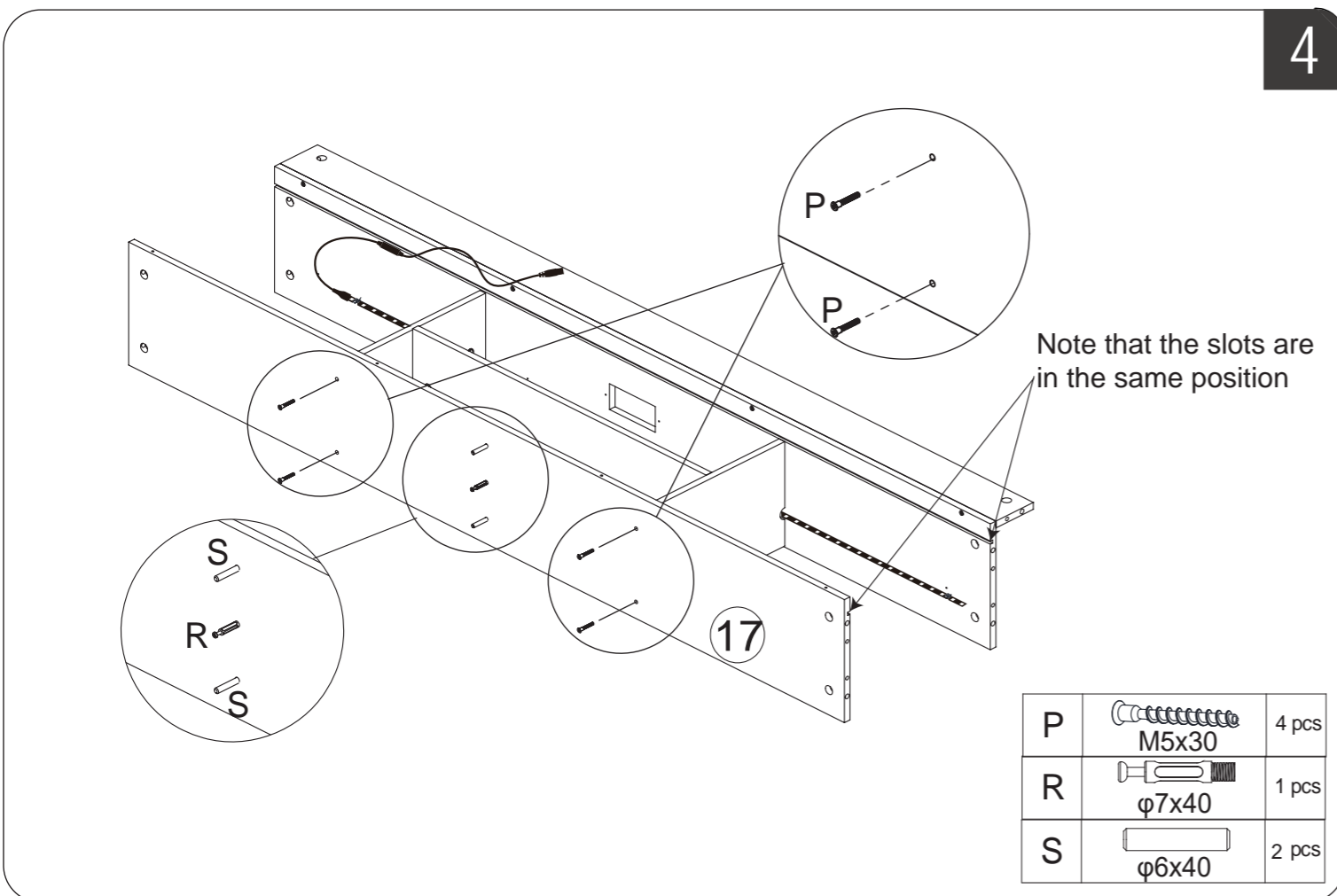
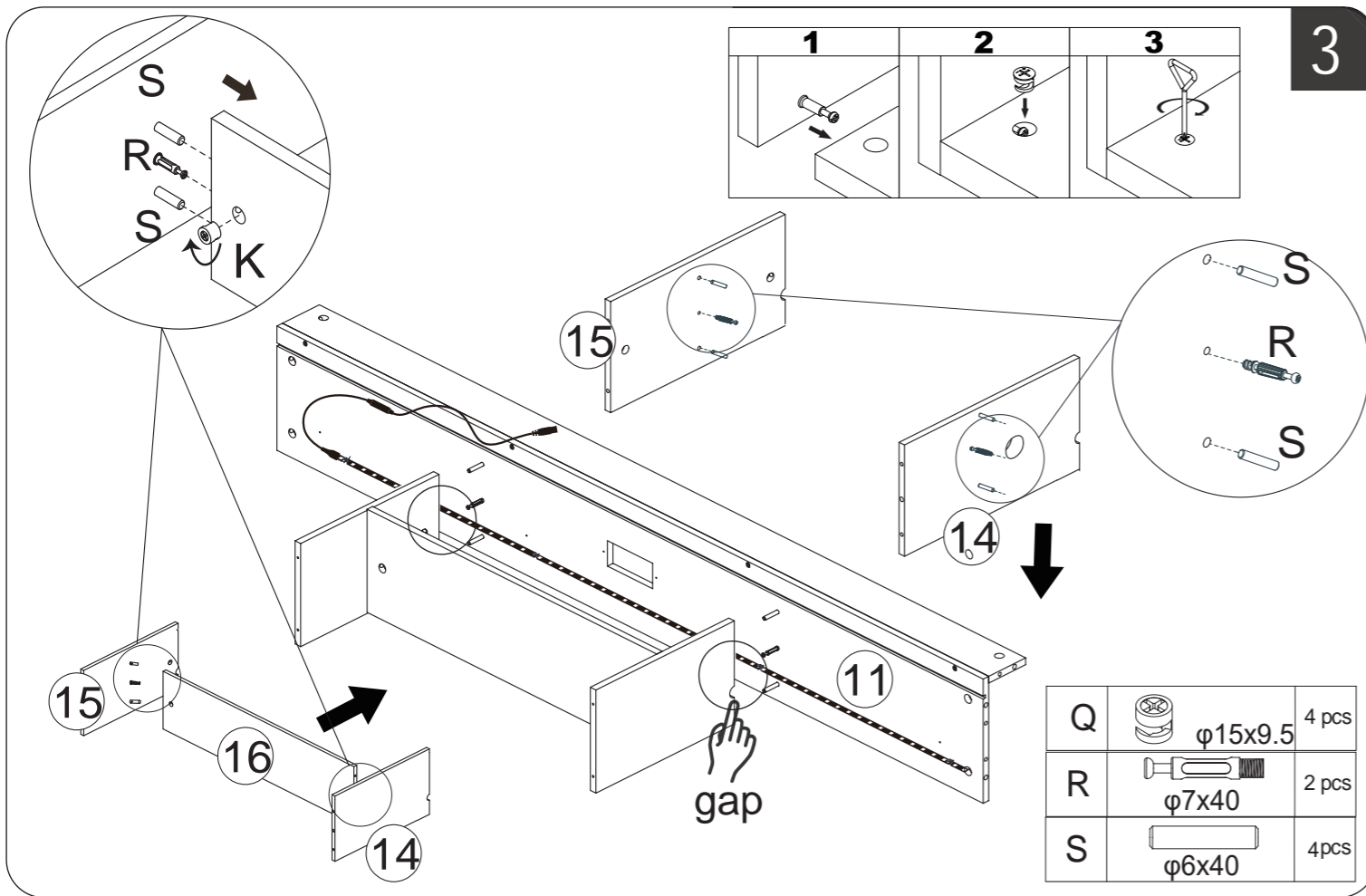
Fastening accessories N

A		4pcs
	ST3. 2x12	

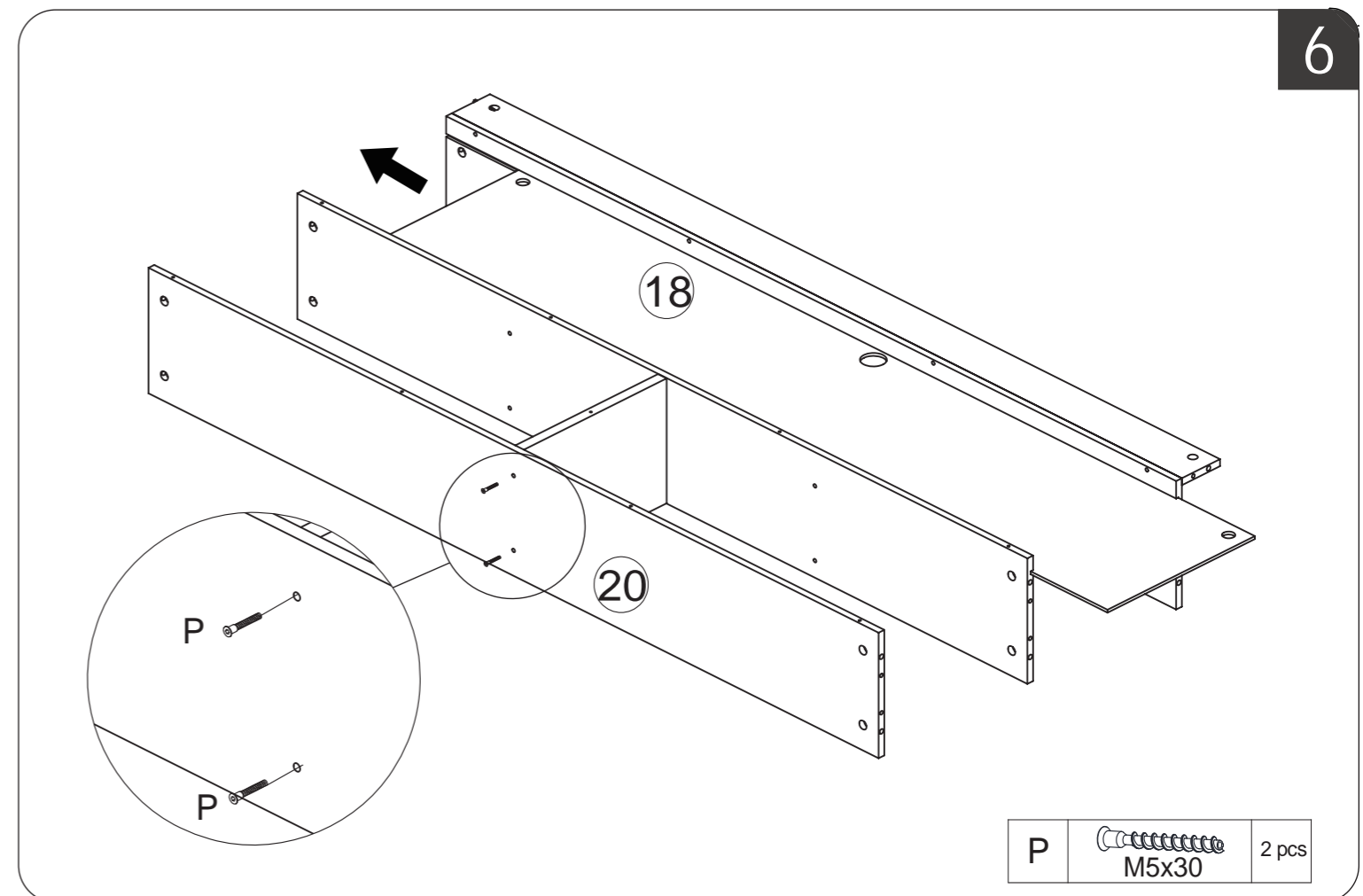
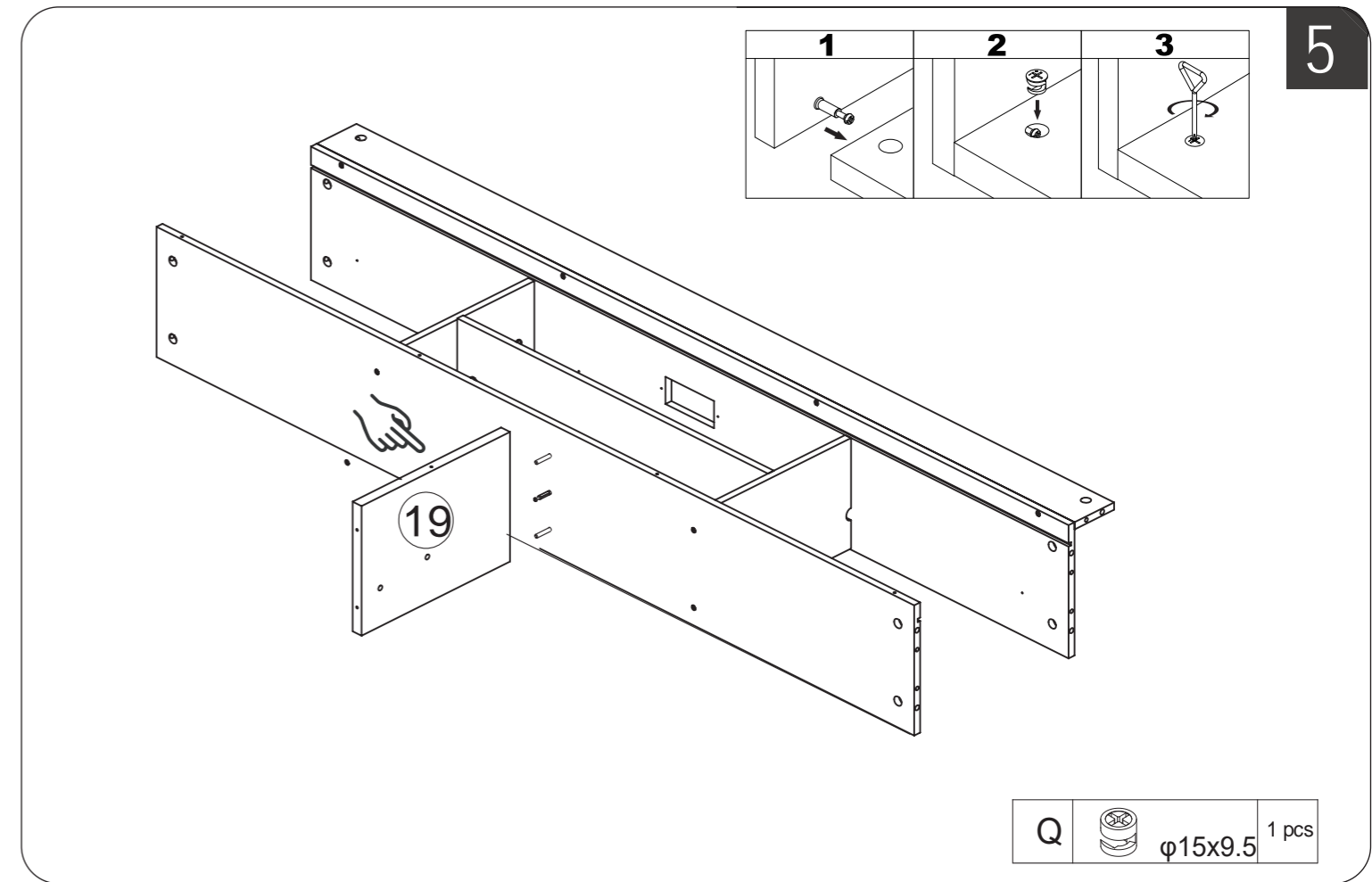
2

P		4 pcs
	M5x30	
R		2 pcs
	φ7x40	
S		4pcs
	φ6x40	

ASSEMBLY INSTRUCTIONS



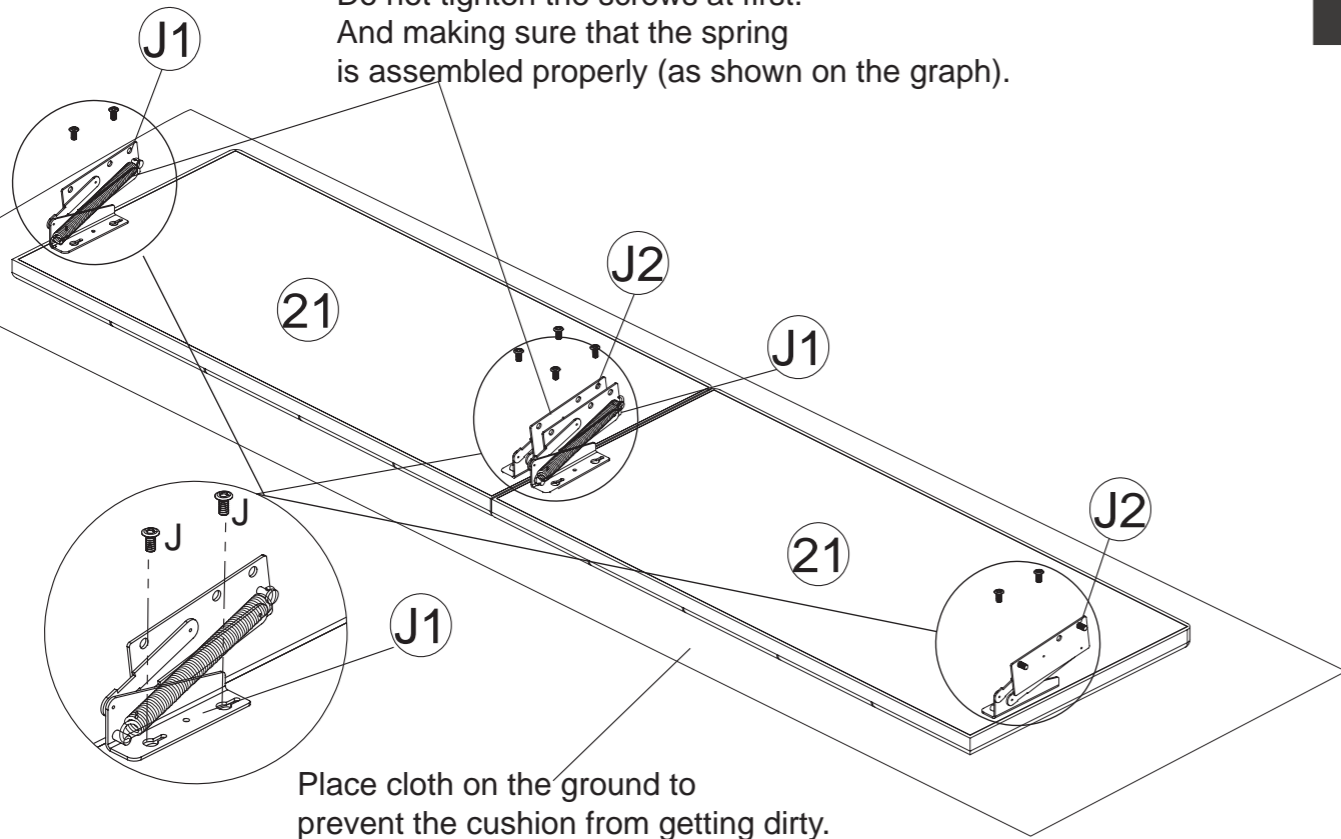
ASSEMBLY INSTRUCTIONS



ASSEMBLY INSTRUCTIONS

7

Do not tighten the screws at first.
And making sure that the spring
is assembled properly (as shown on the graph).

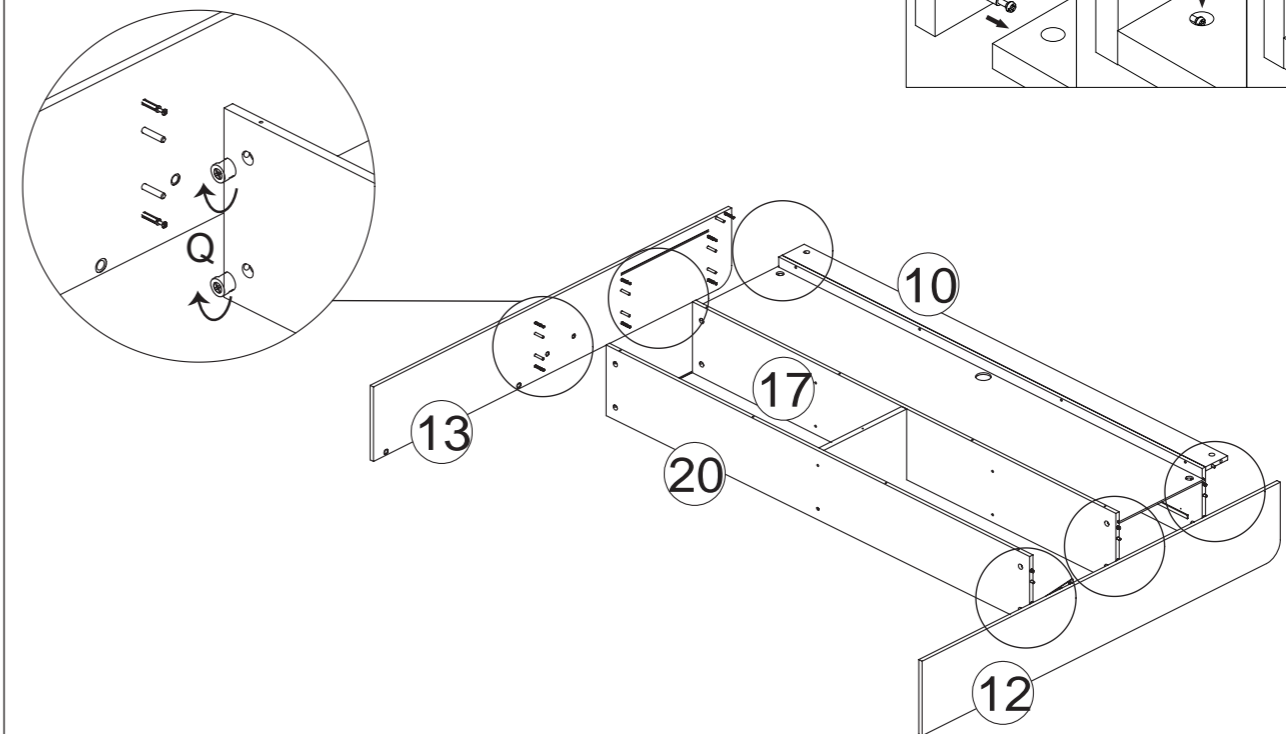
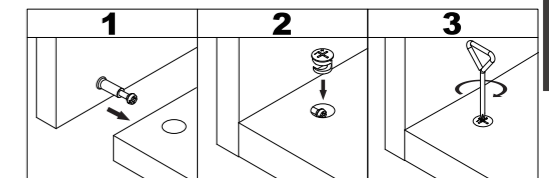


Place cloth on the ground to
prevent the cushion from getting dirty.

J		M6x12	8PCS
---	--	-------	------

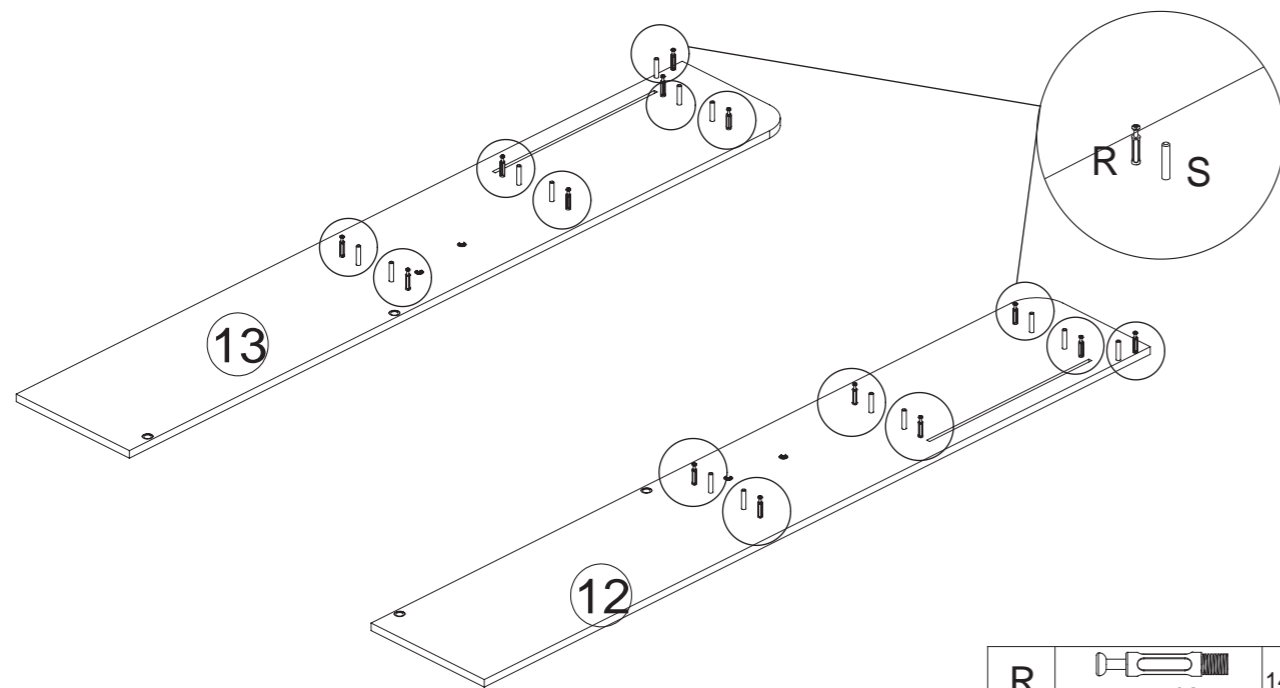
ASSEMBLY INSTRUCTIONS

9



Q		φ15x9.5	10pcs
---	--	---------	-------

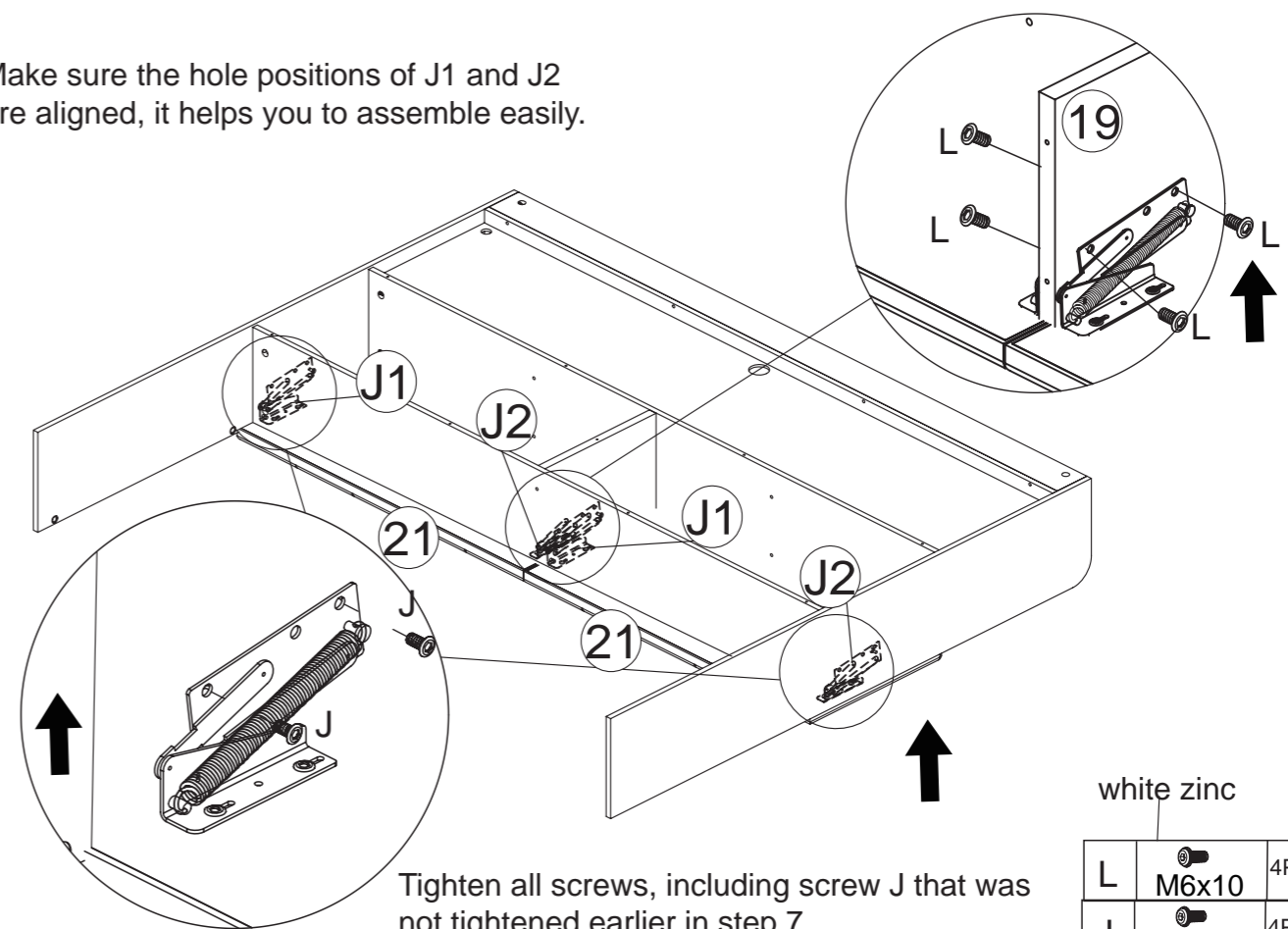
8



R		φ7x40	14pcs
S		φ6x40	14pcs

10

Make sure the hole positions of J1 and J2
are aligned, it helps you to assemble easily.



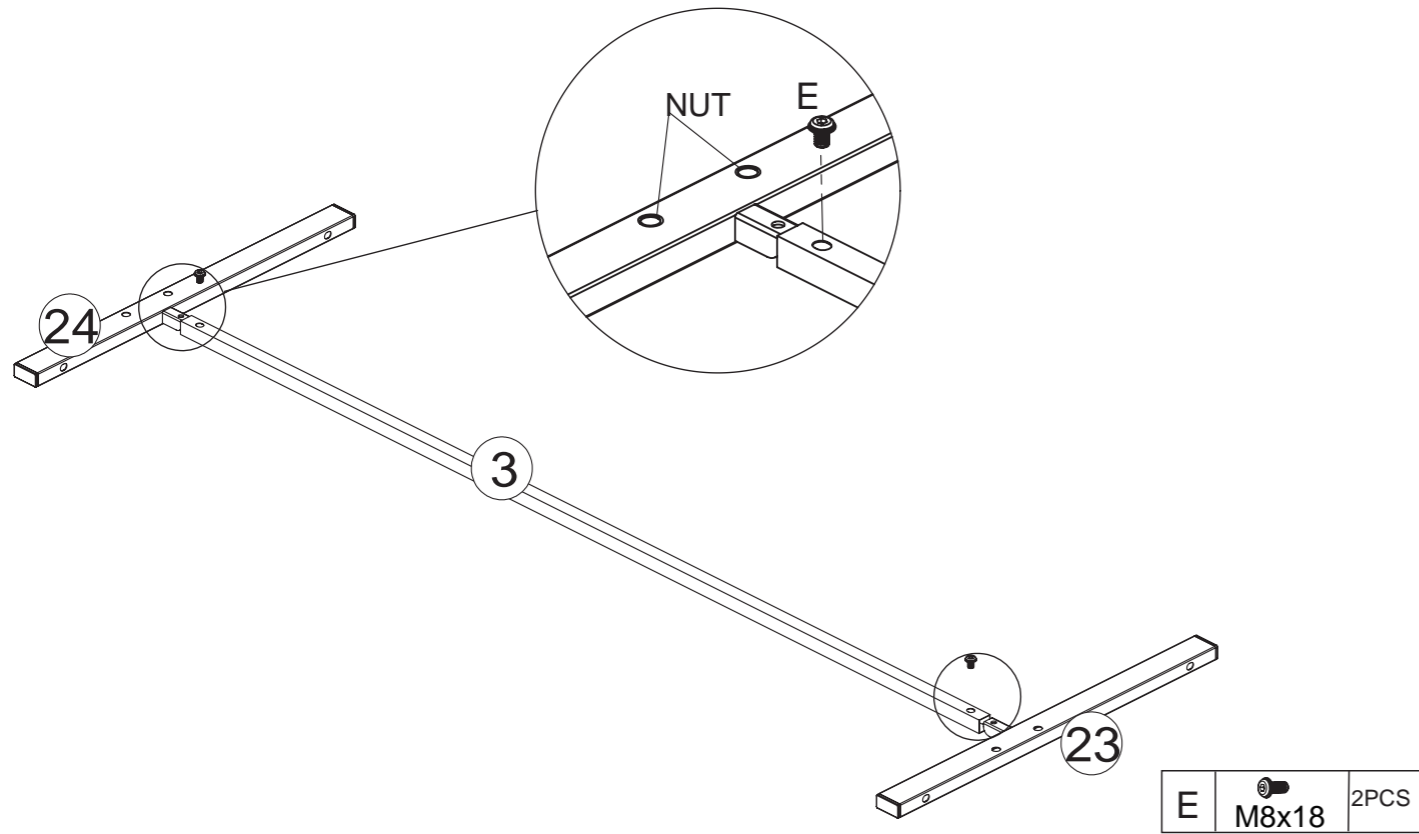
Tighten all screws, including screw J that was
not tightened earlier in step 7.

L		M6x10	4PCS
J		M6x12	4PCS

white zinc

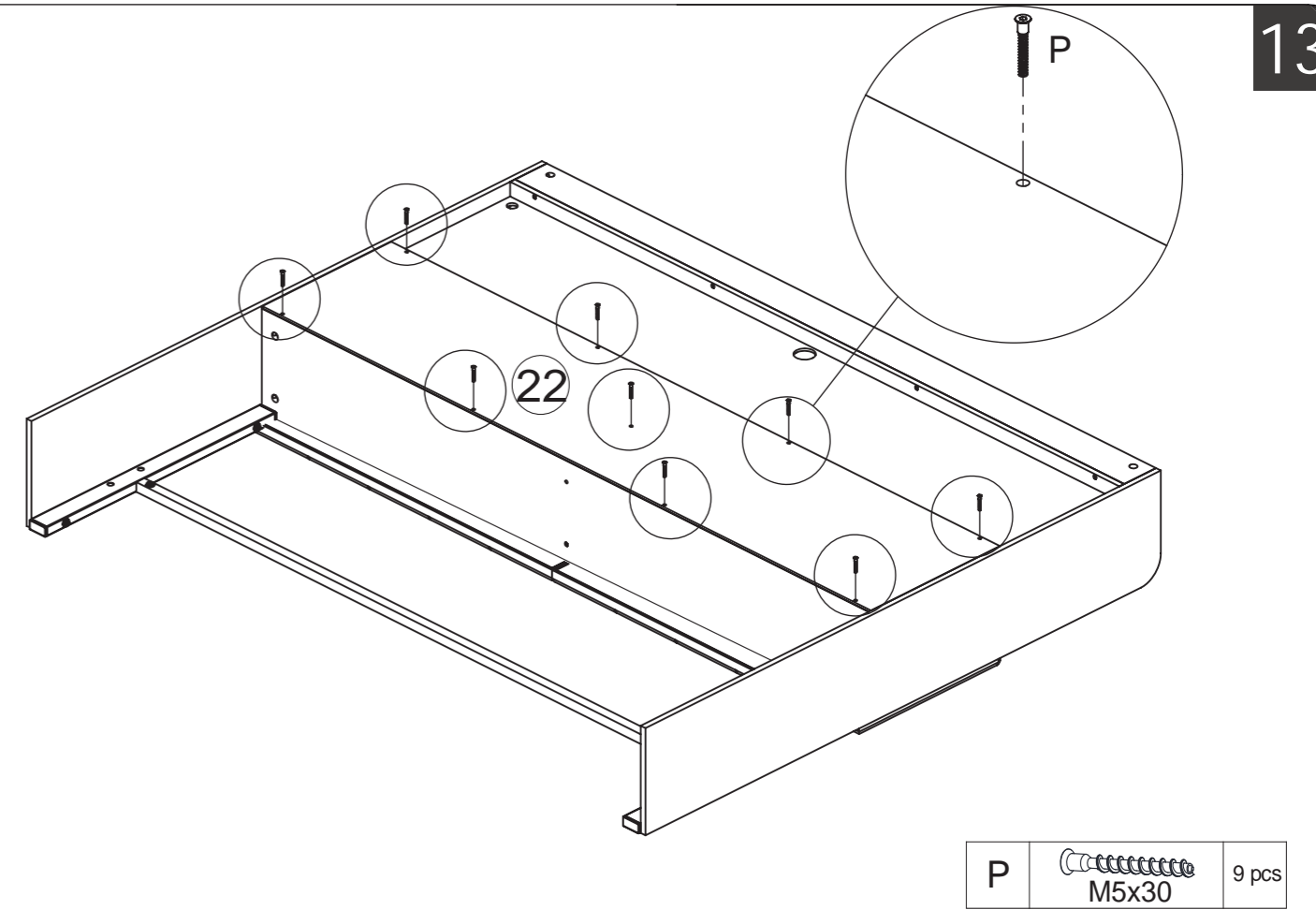
ASSEMBLY INSTRUCTIONS

11

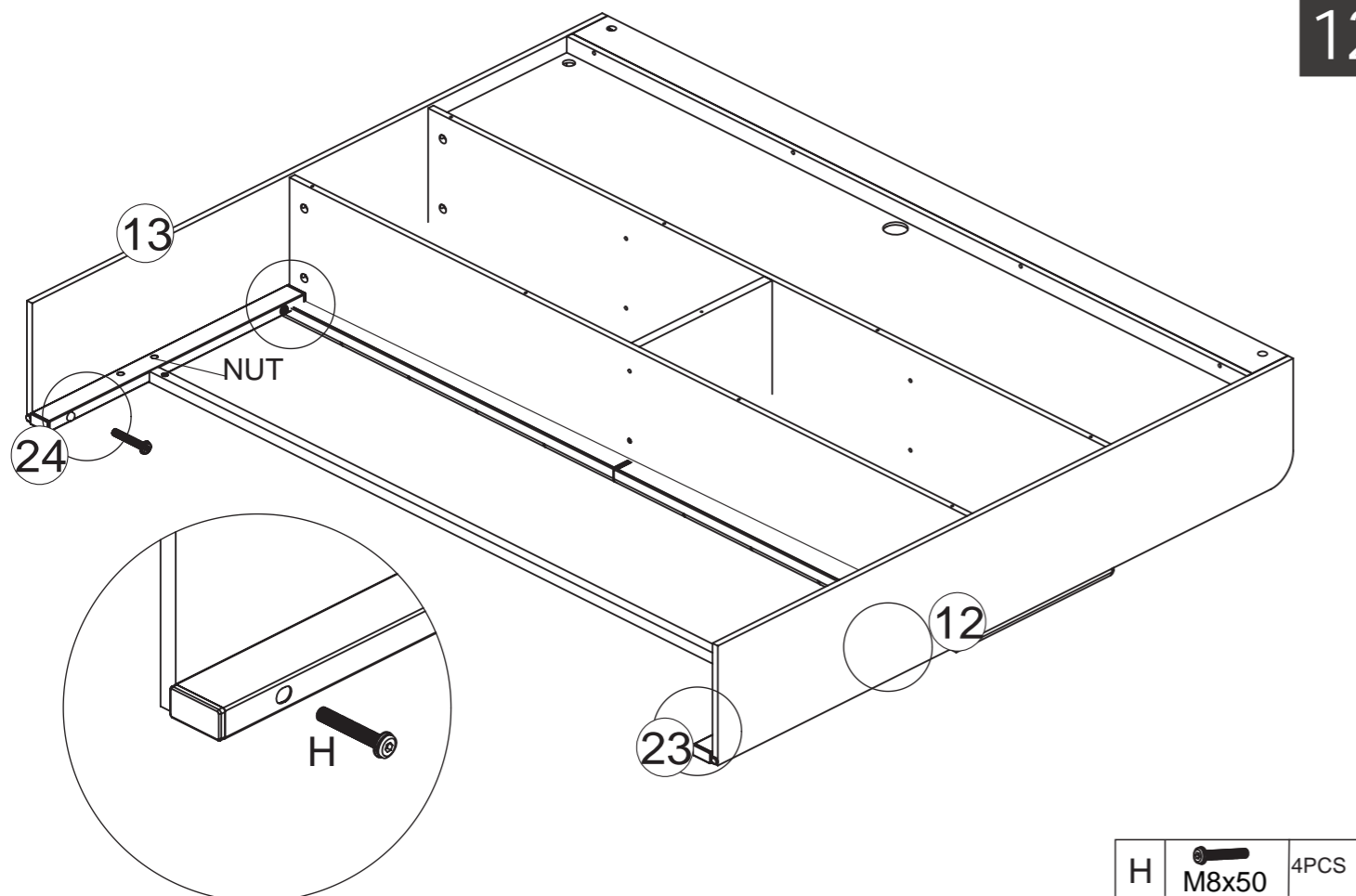


ASSEMBLY INSTRUCTIONS

13

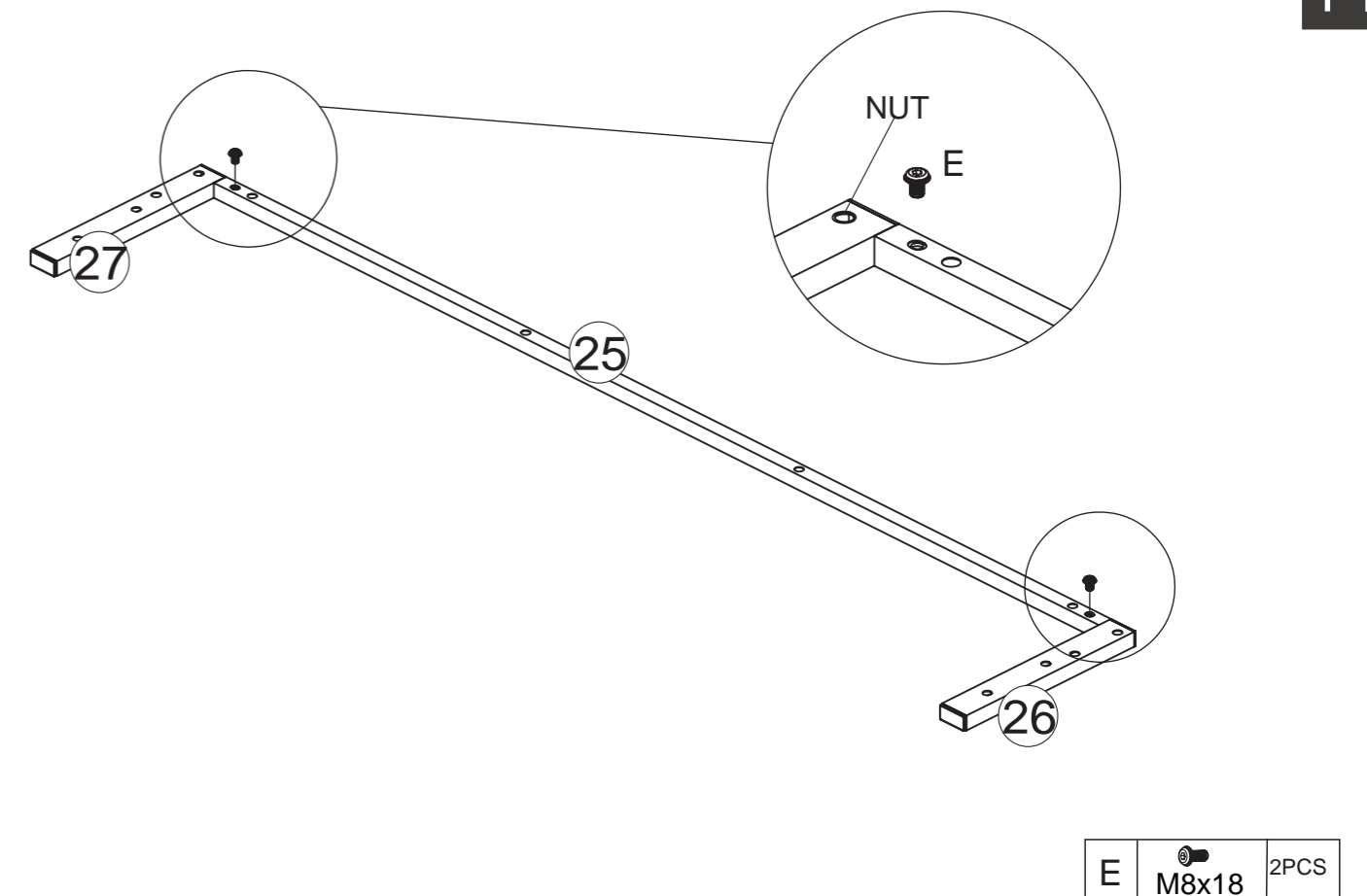


12



12/21

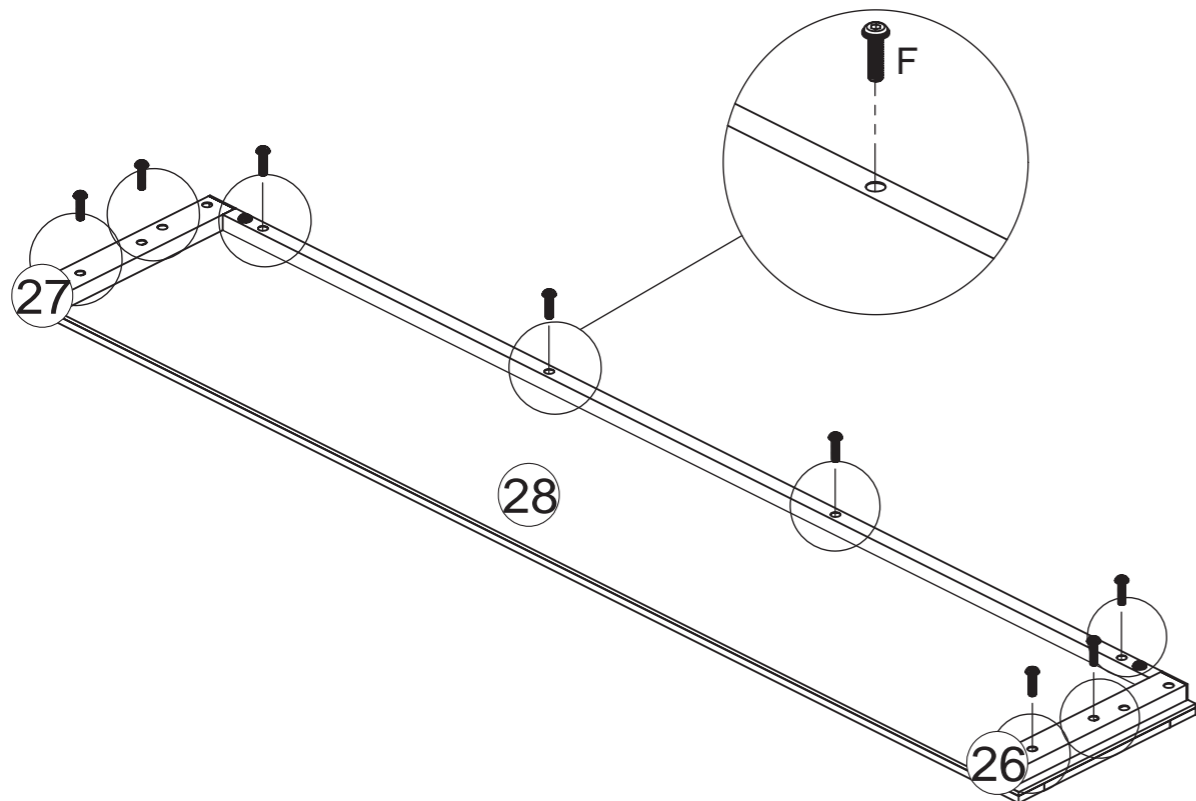
14



13/21

ASSEMBLY INSTRUCTIONS

15



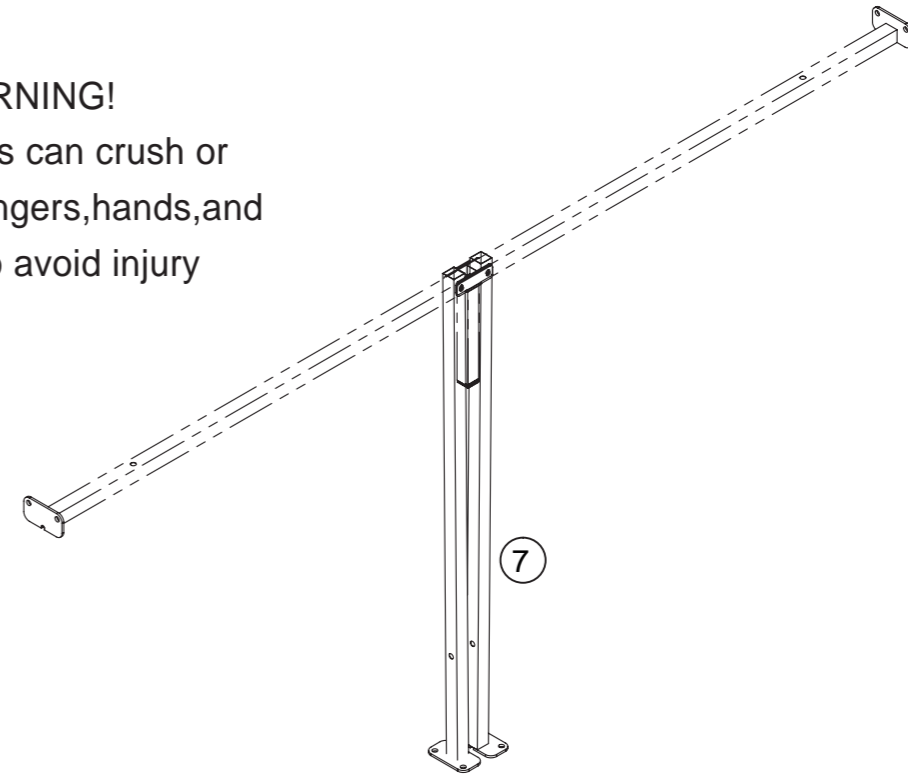
F M8x30 8PCS

ASSEMBLY INSTRUCTIONS

17

X2

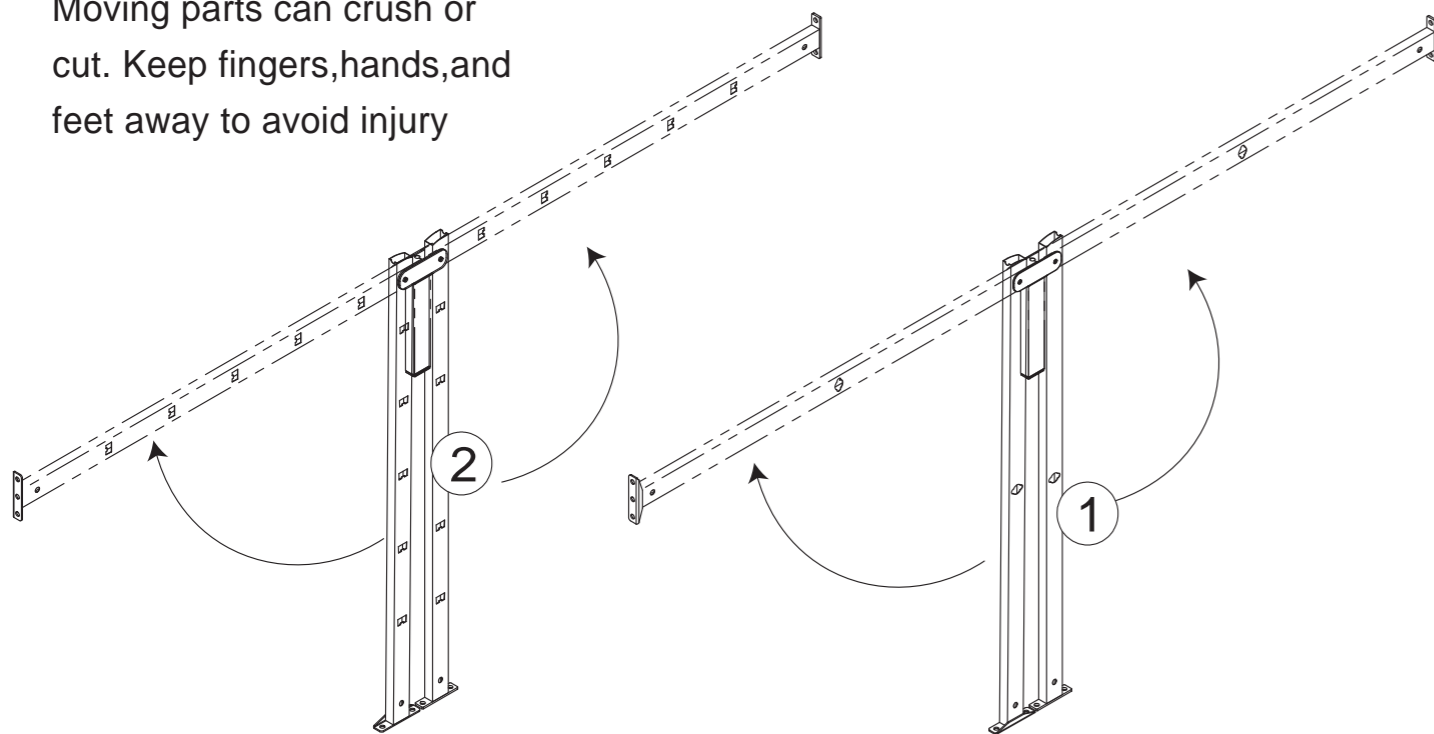
WARNING!
Moving parts can crush or cut. Keep fingers, hands, and feet away to avoid injury



WARNING!

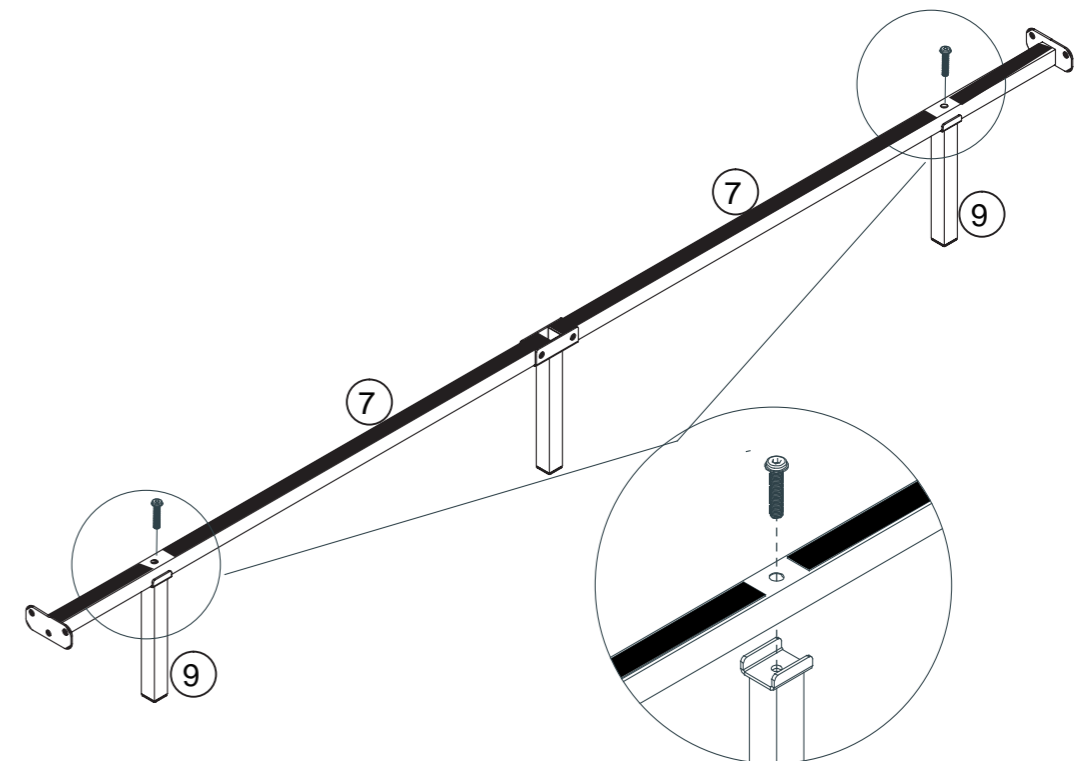
Moving parts can crush or cut. Keep fingers, hands, and feet away to avoid injury

16



18

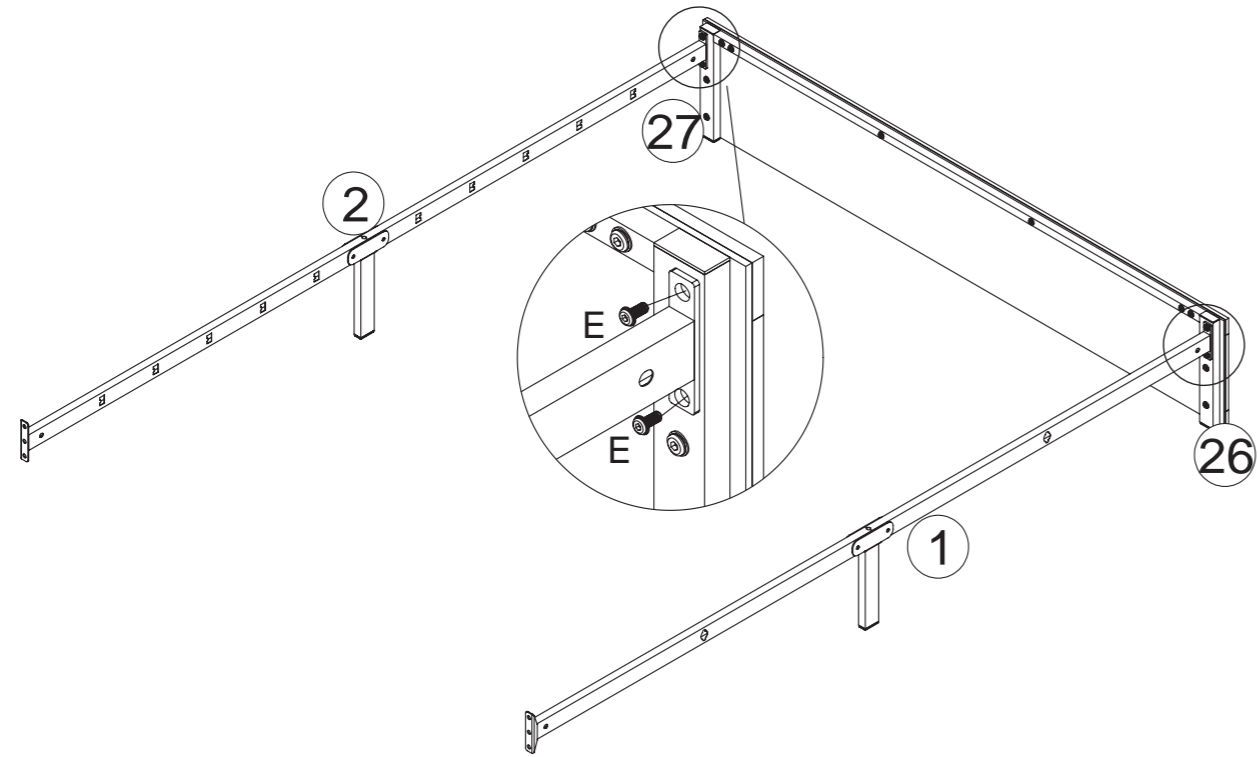
X2



G M8x40 4PCS

ASSEMBLY INSTRUCTIONS

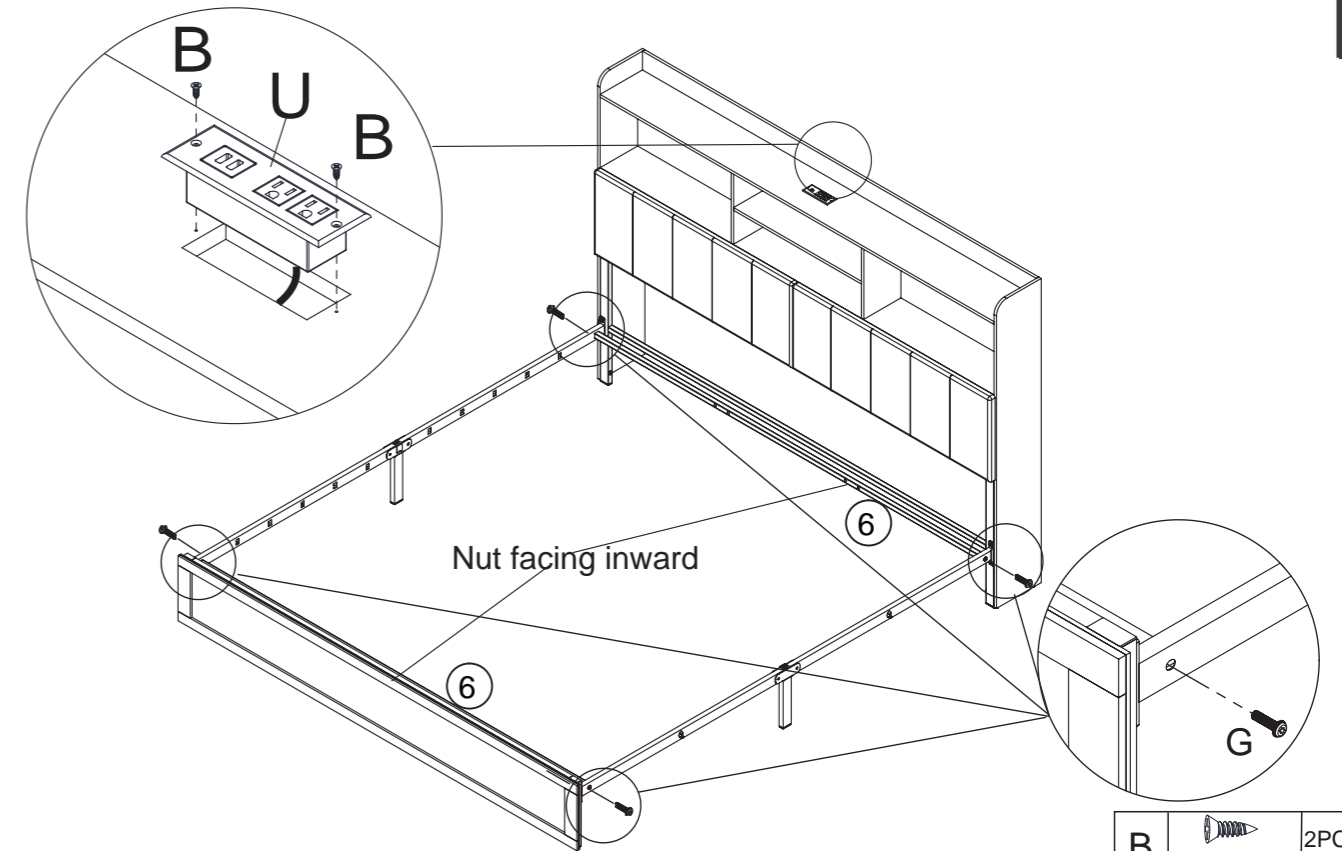
19



E		M8x18	4PCS
---	--	-------	------

ASSEMBLY INSTRUCTIONS

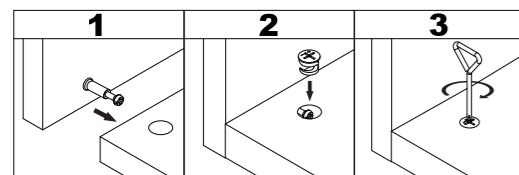
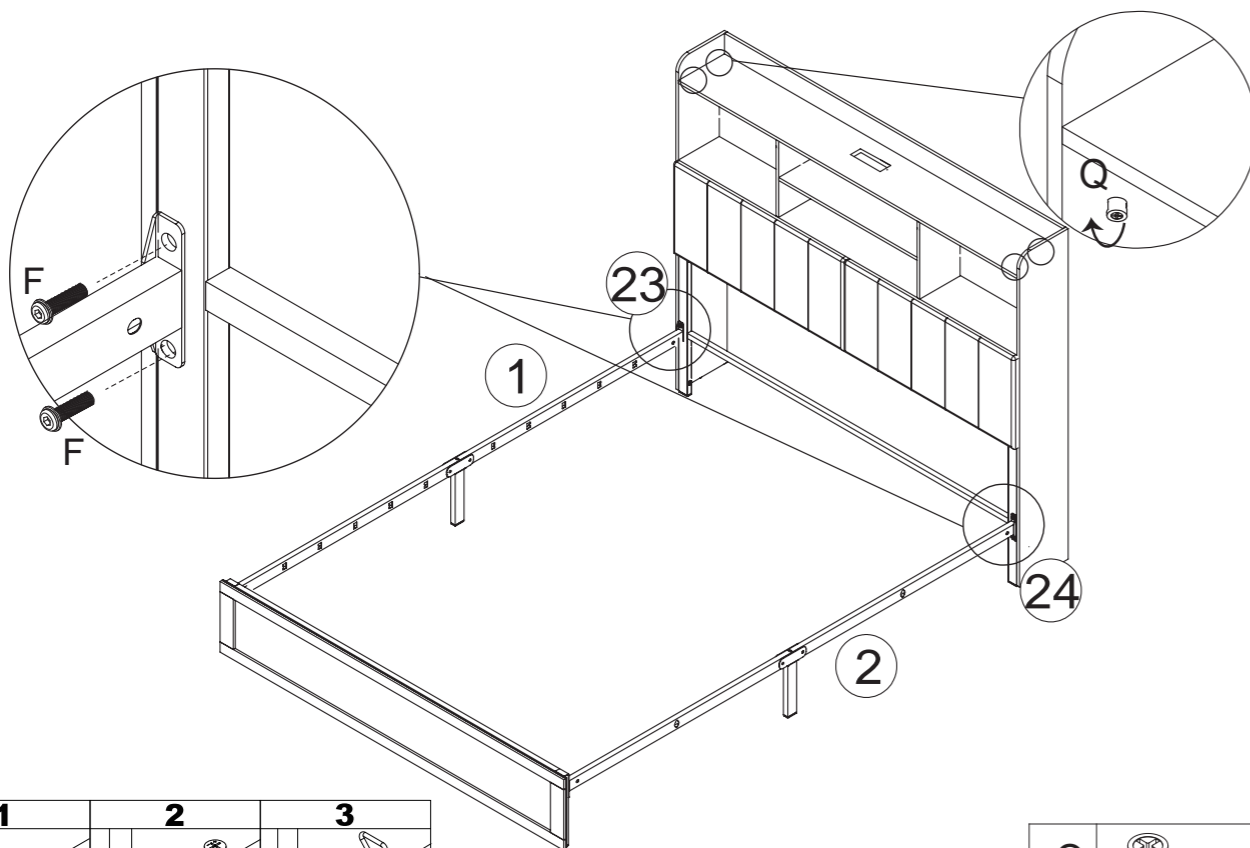
21



Note that the screws in this step can be locked properly!

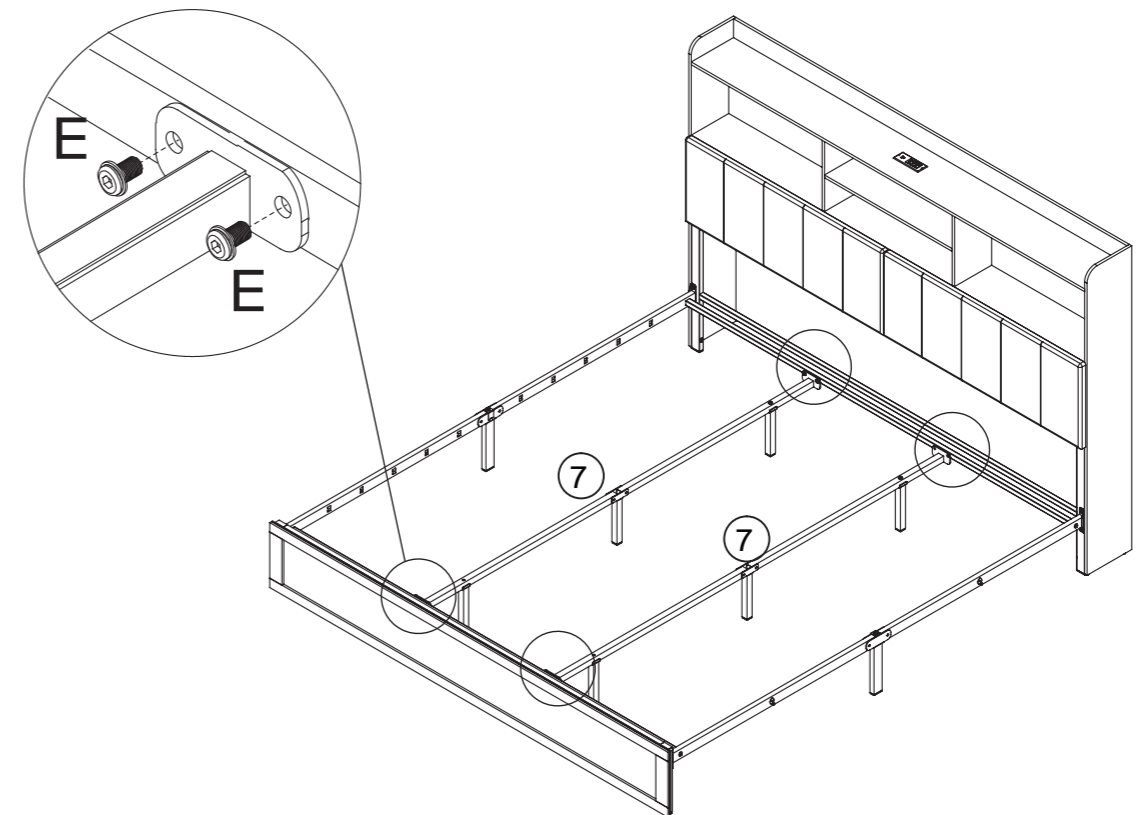
B		ST4.2X12	2PCS
G		M8x40	4PCS

20



Q		φ15x9.5	4 pcs
F		M8x30	4PCS

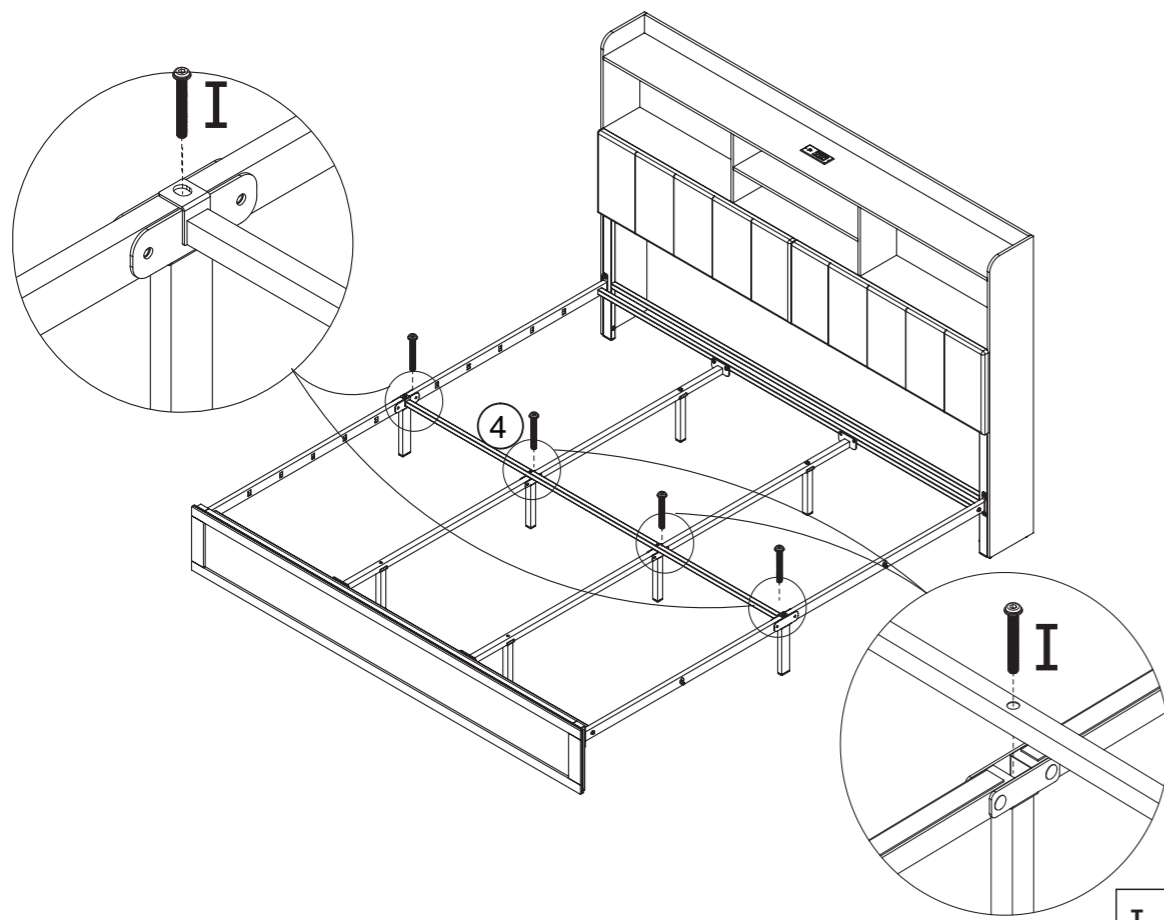
22



E		M8x18	8PCS
---	--	-------	------

ASSEMBLY INSTRUCTIONS

23

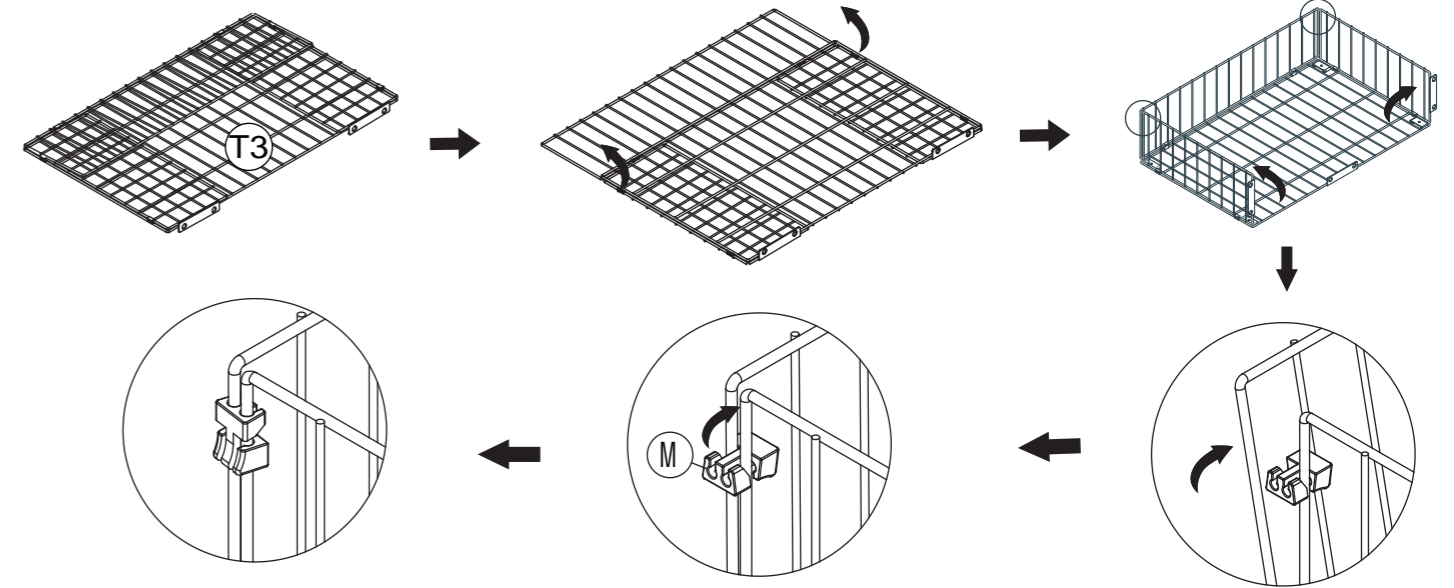


I M8x60 4PCS

ASSEMBLY INSTRUCTIONS

X4 25

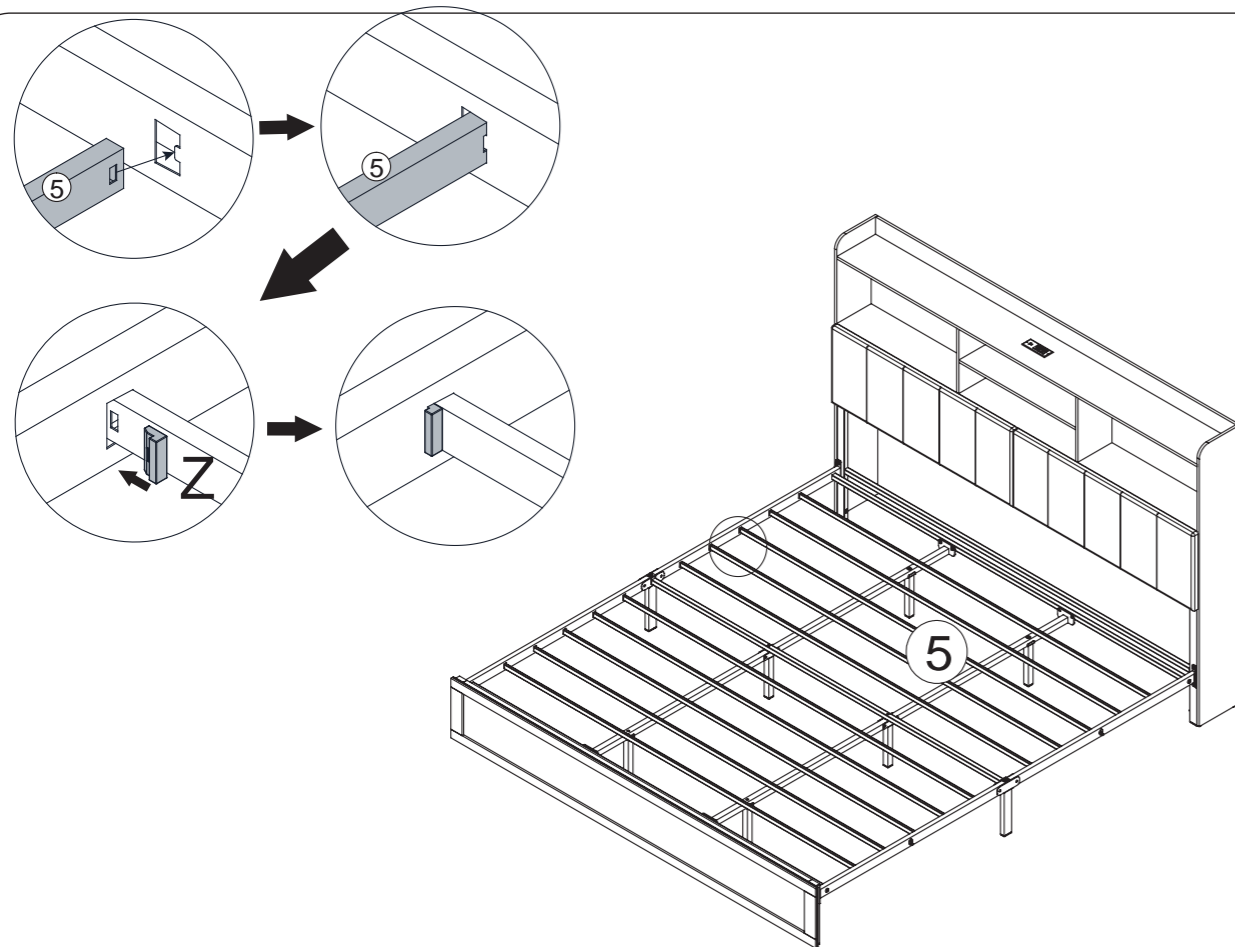
Open the metal frame



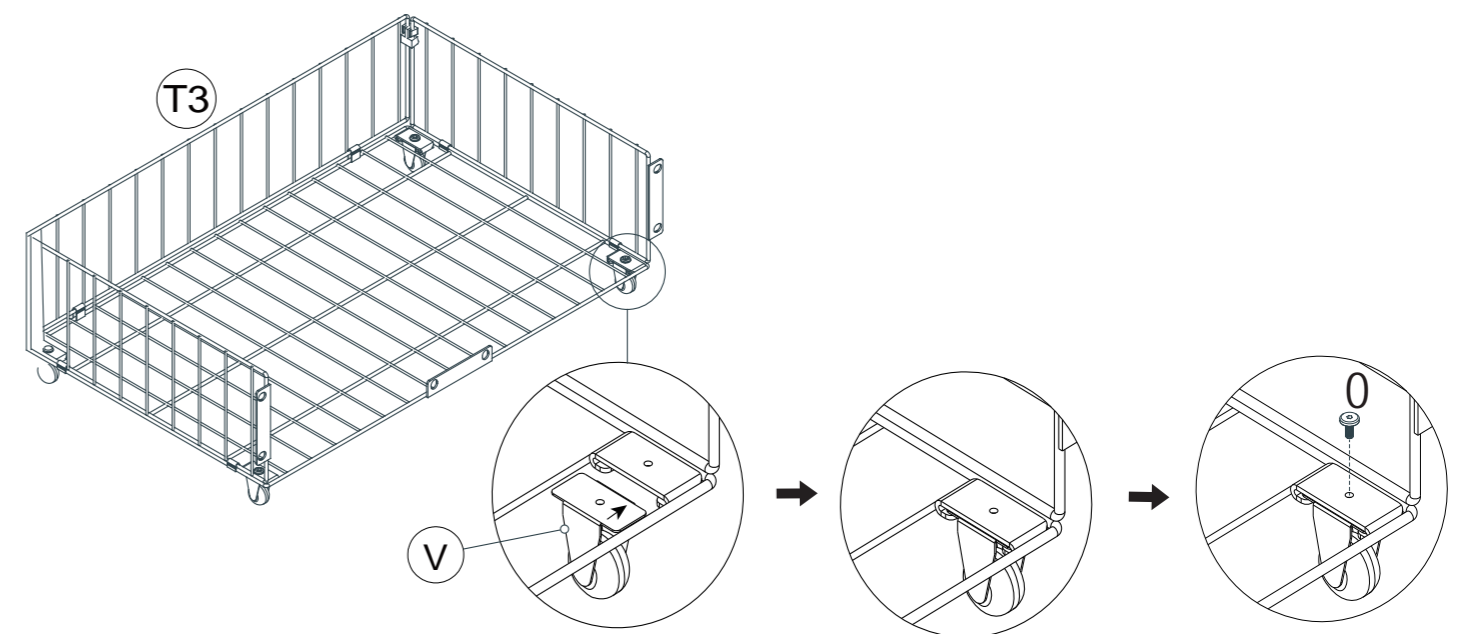
rotates part M at 90 degrees and lock the metal frame as shown on the graph

M 8PCS

24

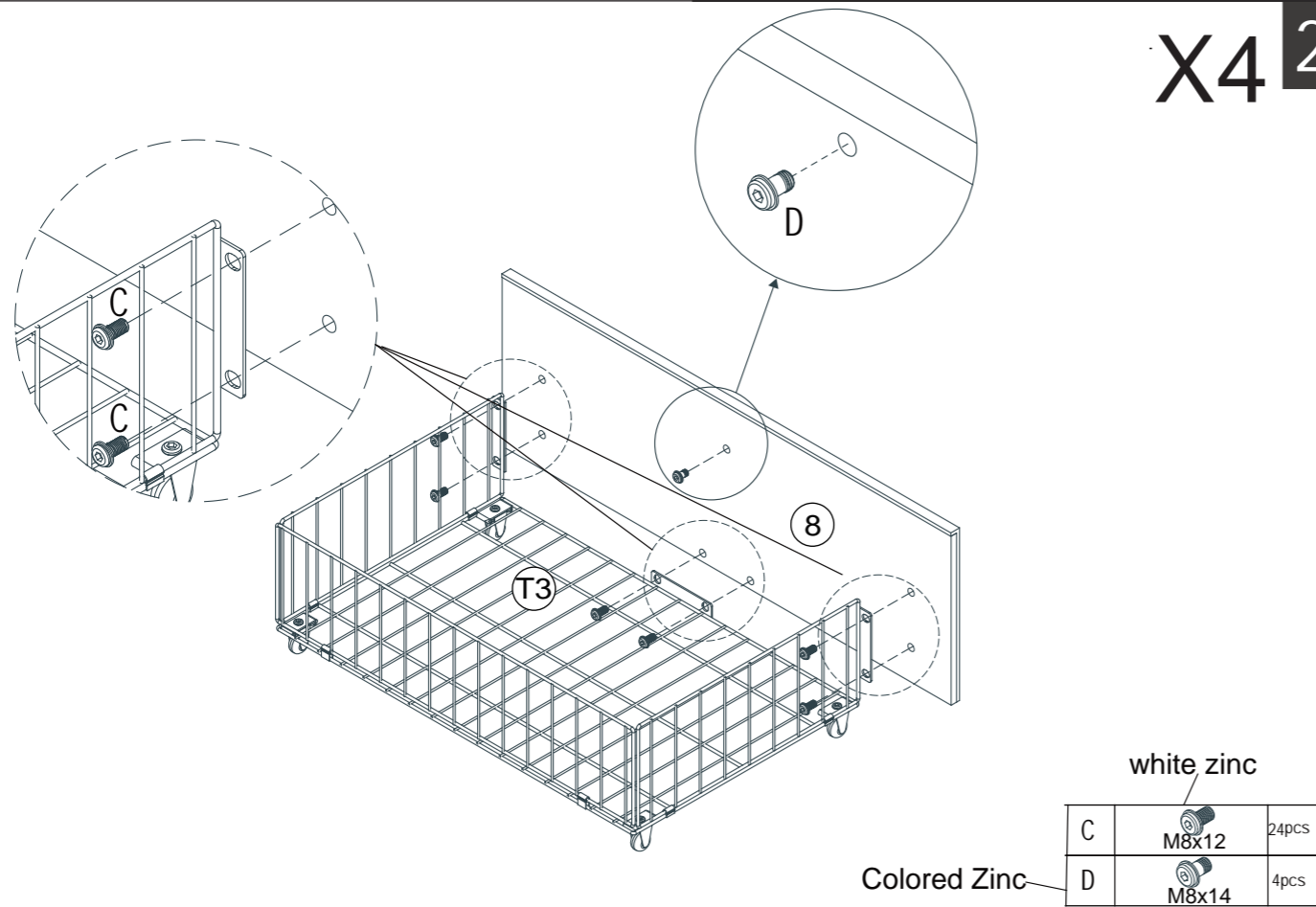


X4 26

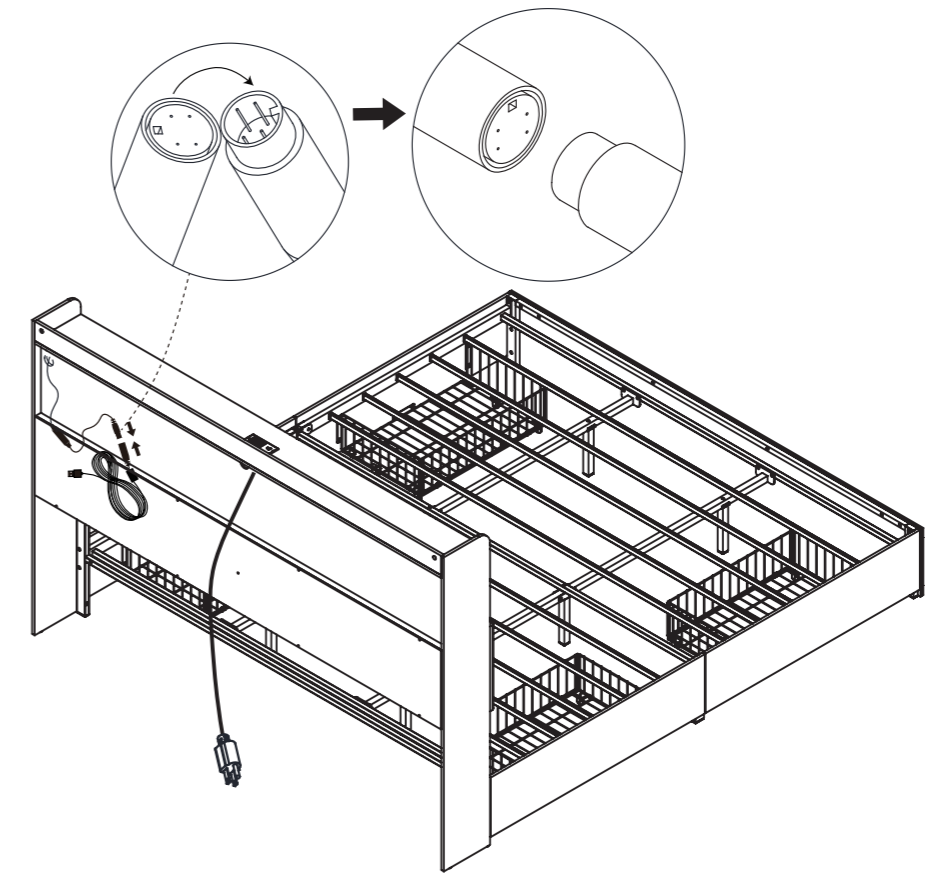


O M4x10 16PCS

X4 27

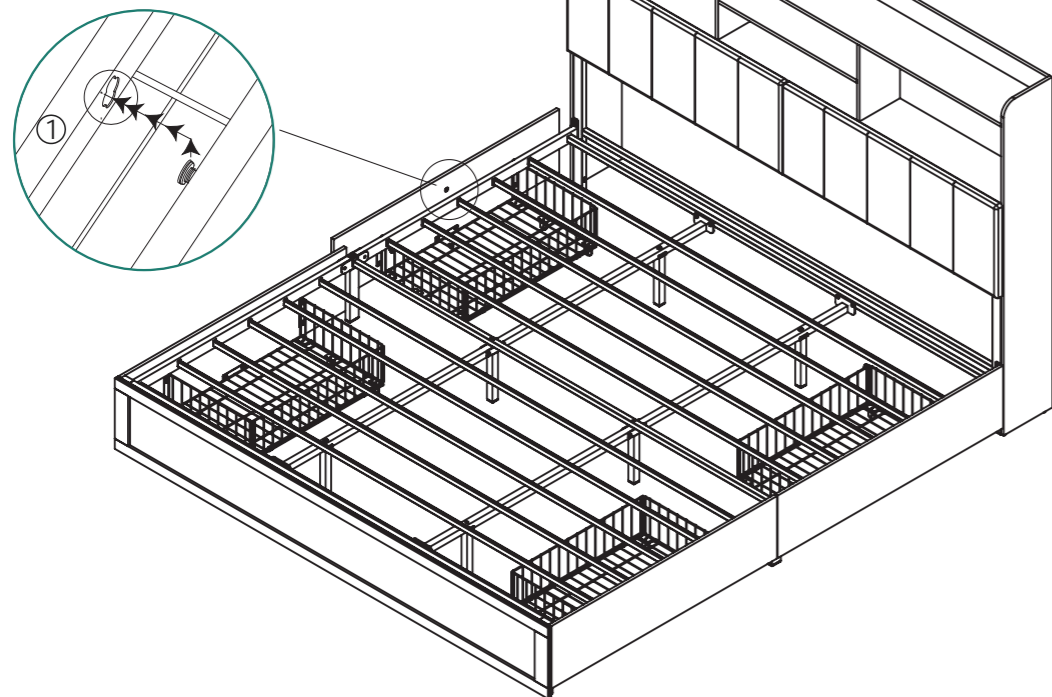


29

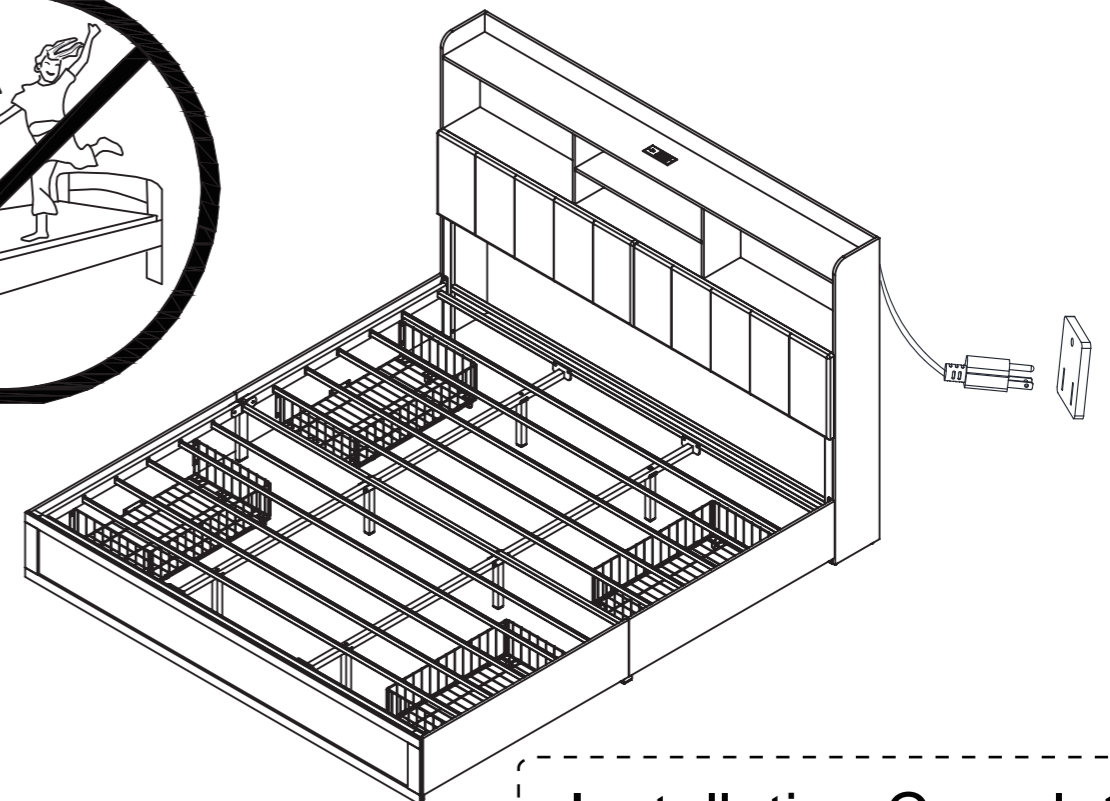


Gently lift the drawer, align the screw with the gourd-shaped hole, and then snap it in

28



30



Installation Complete

