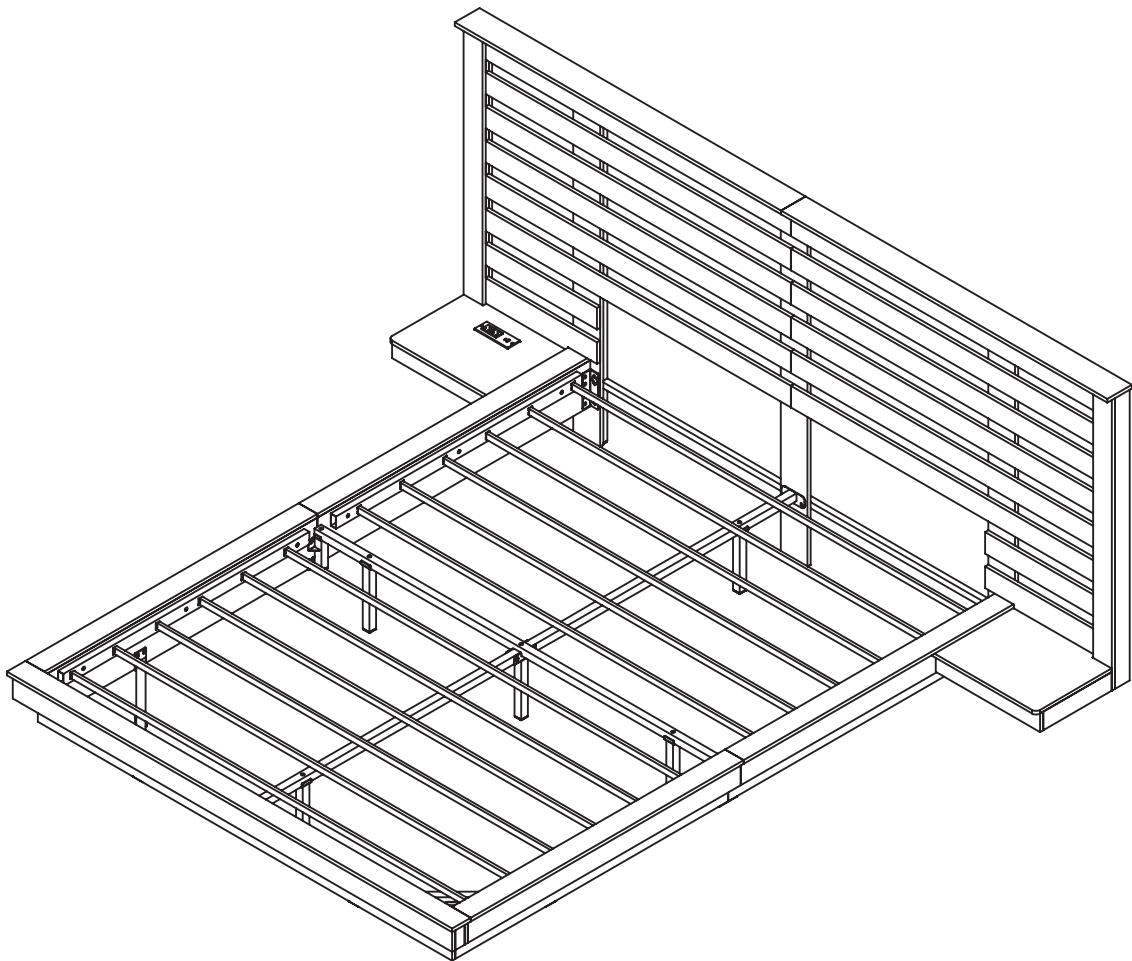


Panel bed Assembly Instructions



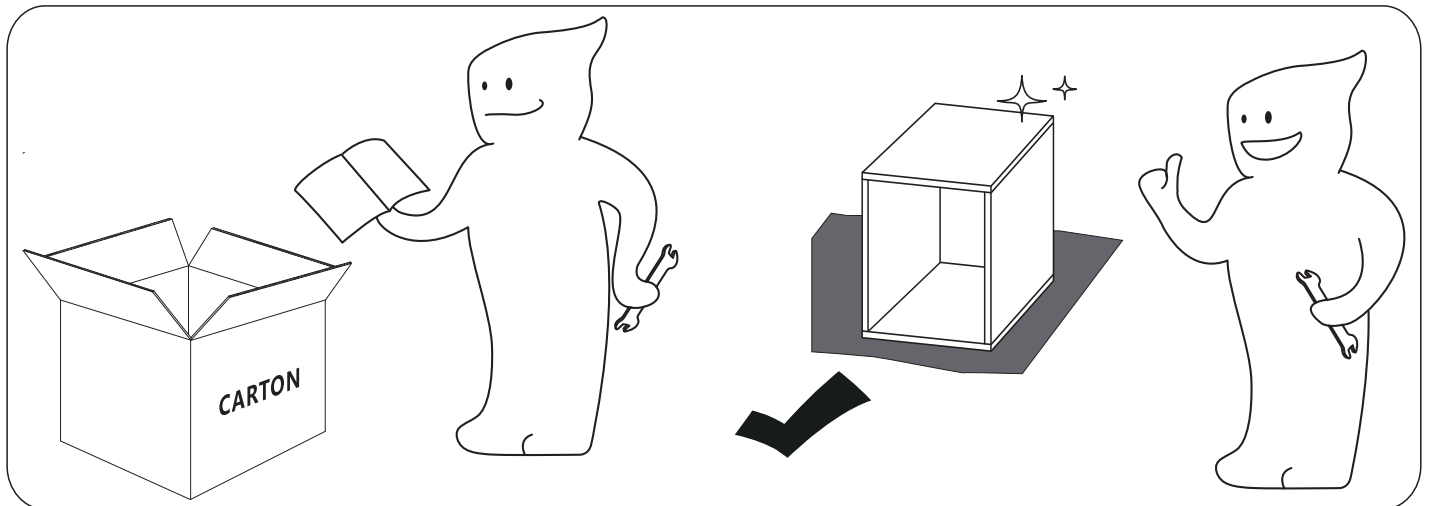
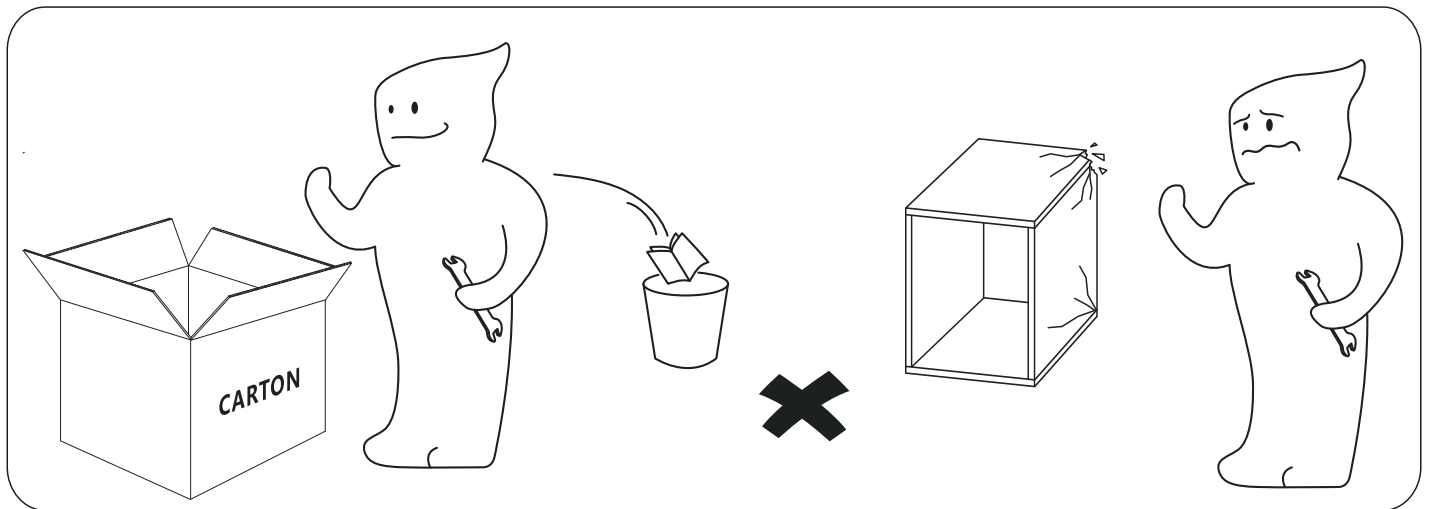
Dear Customers,

Thank you for purchasing our product. Please read this instruction manual carefully after receiving this product. It will help you assemble this product quickly, safely and correctly. You can keep this manual for future reference.

MADE IN CHINA

! IMPORTANT

Please follow the instruction manuals and use a pad to protect the product during your assembly.



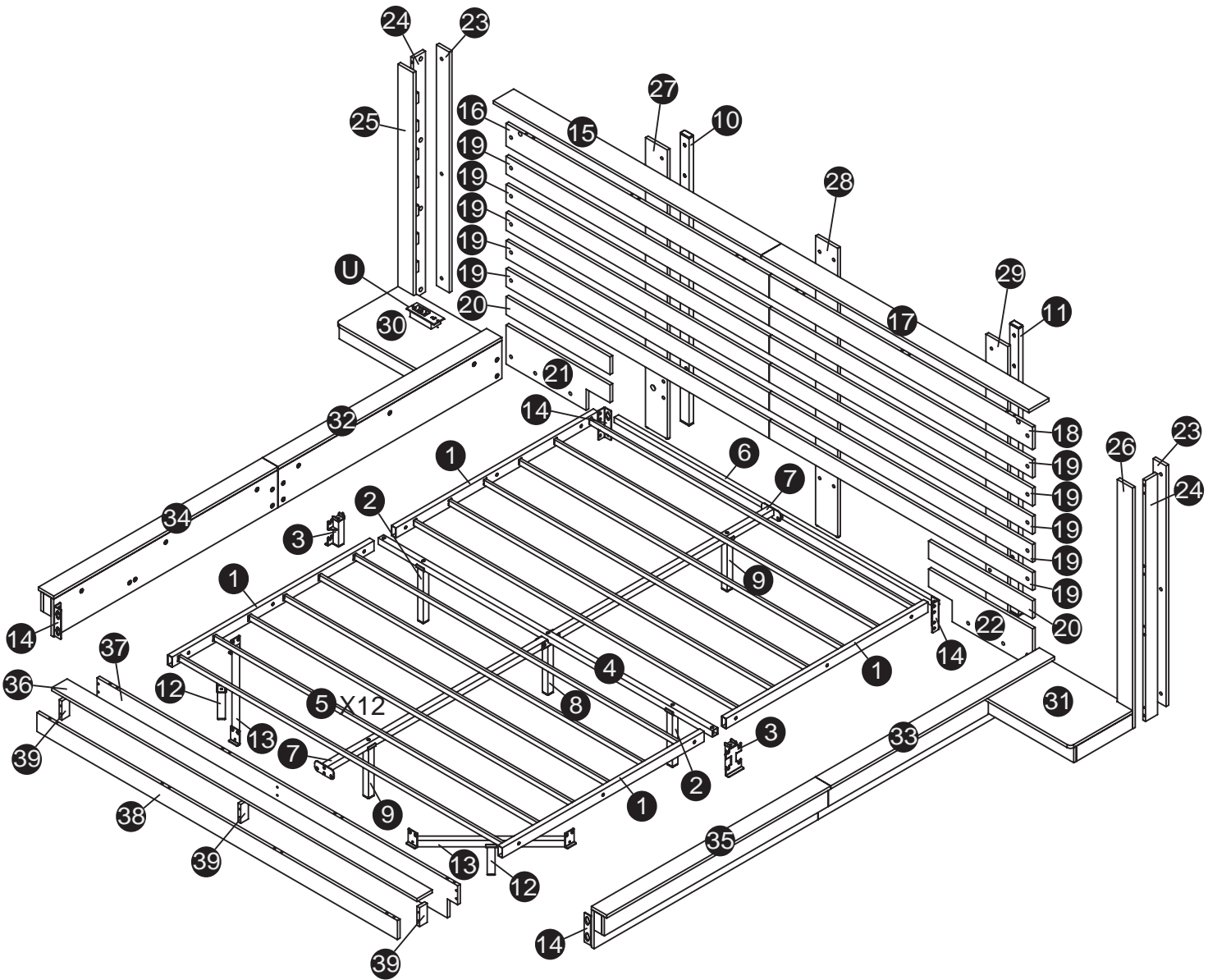
Note:

1. Should be assembled on flat ground to keep balance.
2. Before completing the installation, do not tighten the screws.



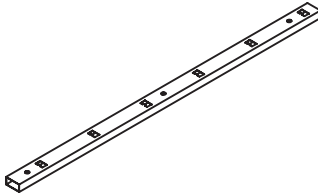
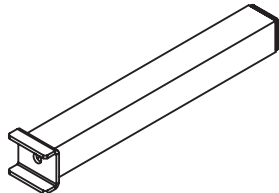
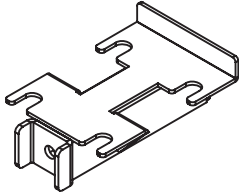
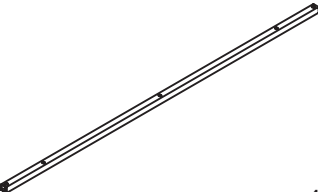
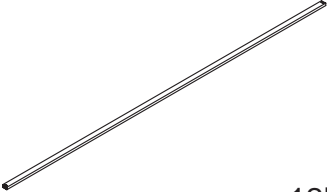
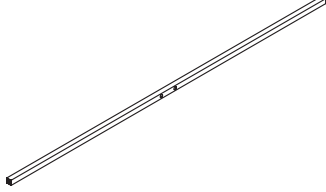
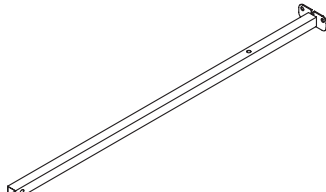
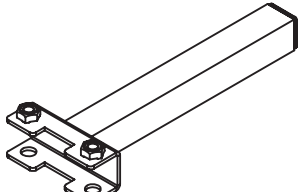
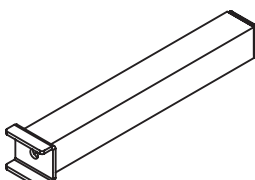
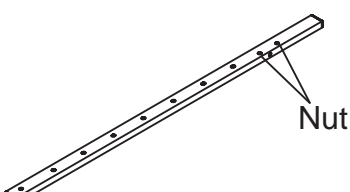
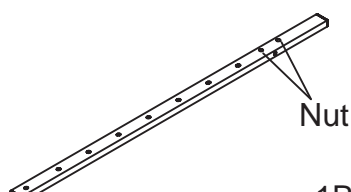
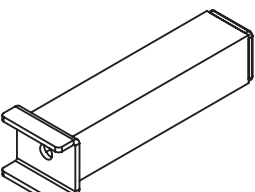
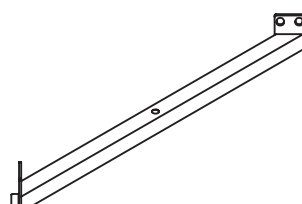
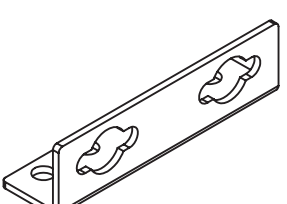
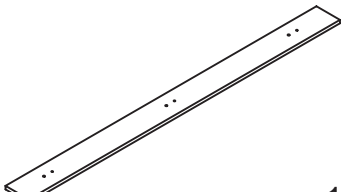
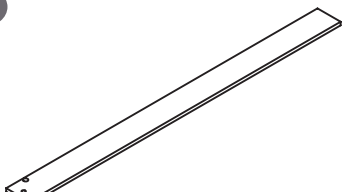
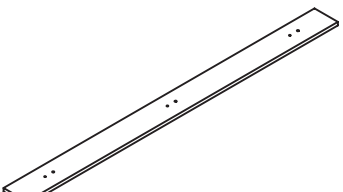
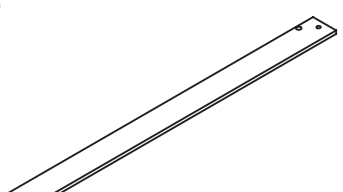
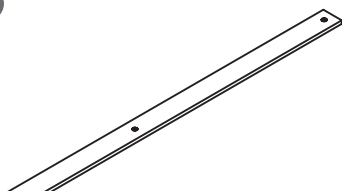
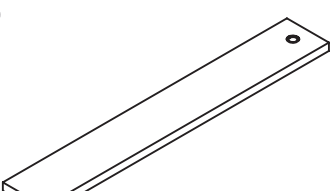
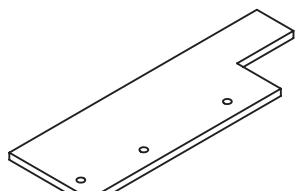
For easier and better assembly, **2** or more adults are required.

ASSEMBLY INSTRUCTIONS



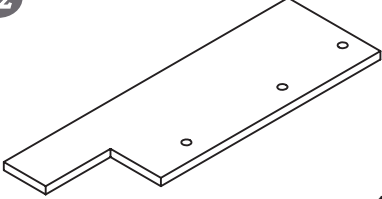
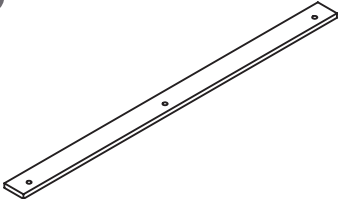
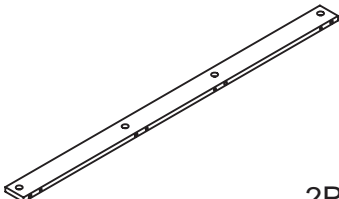
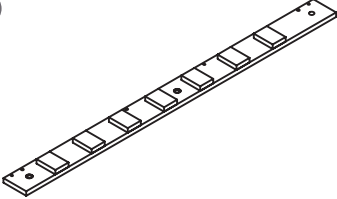
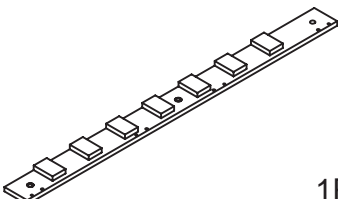
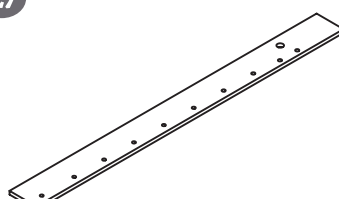
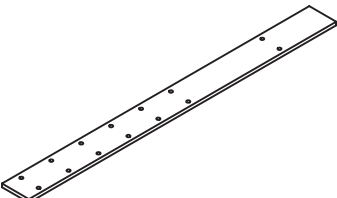
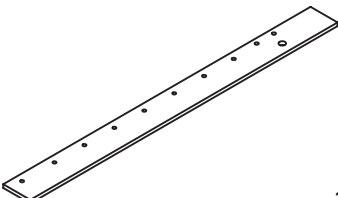
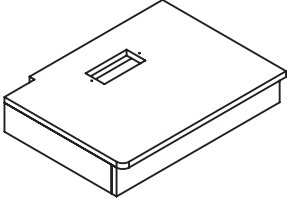
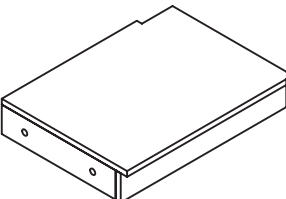
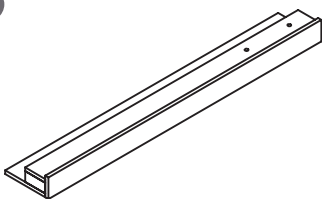
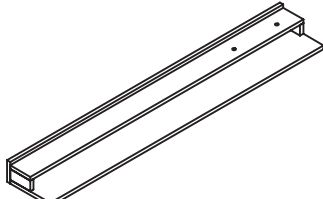
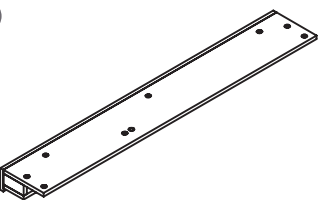
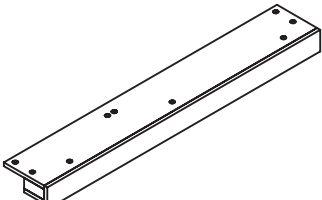
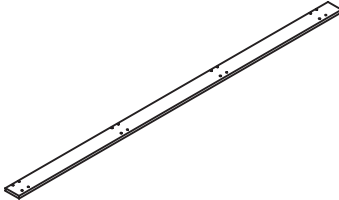
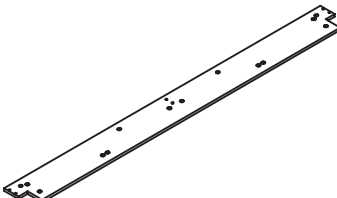
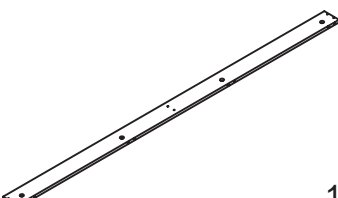
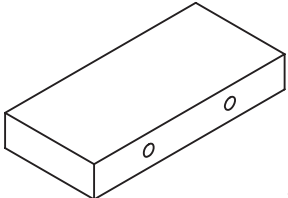
ASSEMBLY INSTRUCTIONS

PARTS LIST

 <p>1</p> <p>4PCS</p>	 <p>2</p> <p>2PCS</p>	 <p>3</p> <p>2PCS</p>
 <p>4</p> <p>1PC</p>	 <p>5</p> <p>12PCS</p>	 <p>6</p> <p>1PC</p>
 <p>7</p> <p>2PCS</p>	 <p>8</p> <p>1PC</p>	 <p>9</p> <p>2PCS</p>
 <p>10</p> <p>Nut</p> <p>1PC</p>	 <p>11</p> <p>Nut</p> <p>1PC</p>	 <p>12</p> <p>2PCS</p>
 <p>13</p> <p>2PCS</p>	 <p>14</p> <p>4PCS</p>	 <p>15</p> <p>1PC</p>
 <p>16</p> <p>1PC</p>	 <p>17</p> <p>1PC</p>	 <p>18</p> <p>1PC</p>
 <p>19</p> <p>10PCS</p>	 <p>20</p> <p>2PCS</p>	 <p>21</p> <p>1PC</p>


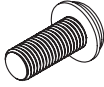


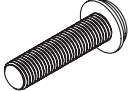
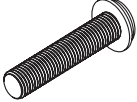

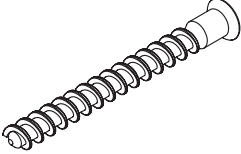

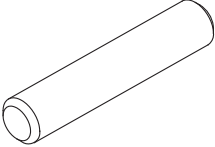
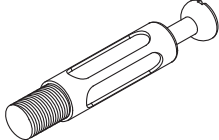
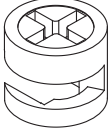
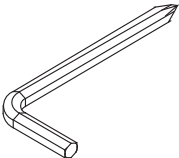
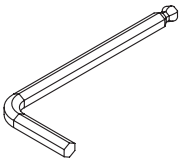
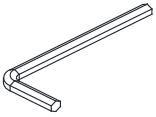
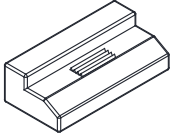
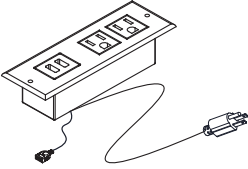
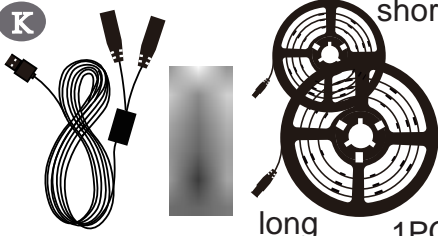
ASSEMBLY INSTRUCTIONS

PARTS LIST

 <p>22</p>	 <p>23</p>	 <p>24</p>
1PC	2PCS	2PCS
 <p>25</p>	 <p>26</p>	 <p>27</p>
1PC	1PC	1PC
 <p>28</p>	 <p>29</p>	 <p>30</p>
1PC	1PC	1PC
 <p>31</p>	 <p>32</p>	 <p>33</p>
1PC	1PC	1PC
 <p>34</p>	 <p>35</p>	 <p>36</p>
1PC	1PC	1PC
 <p>37</p>	 <p>38</p>	 <p>39</p>
1PC	1PC	3PCS

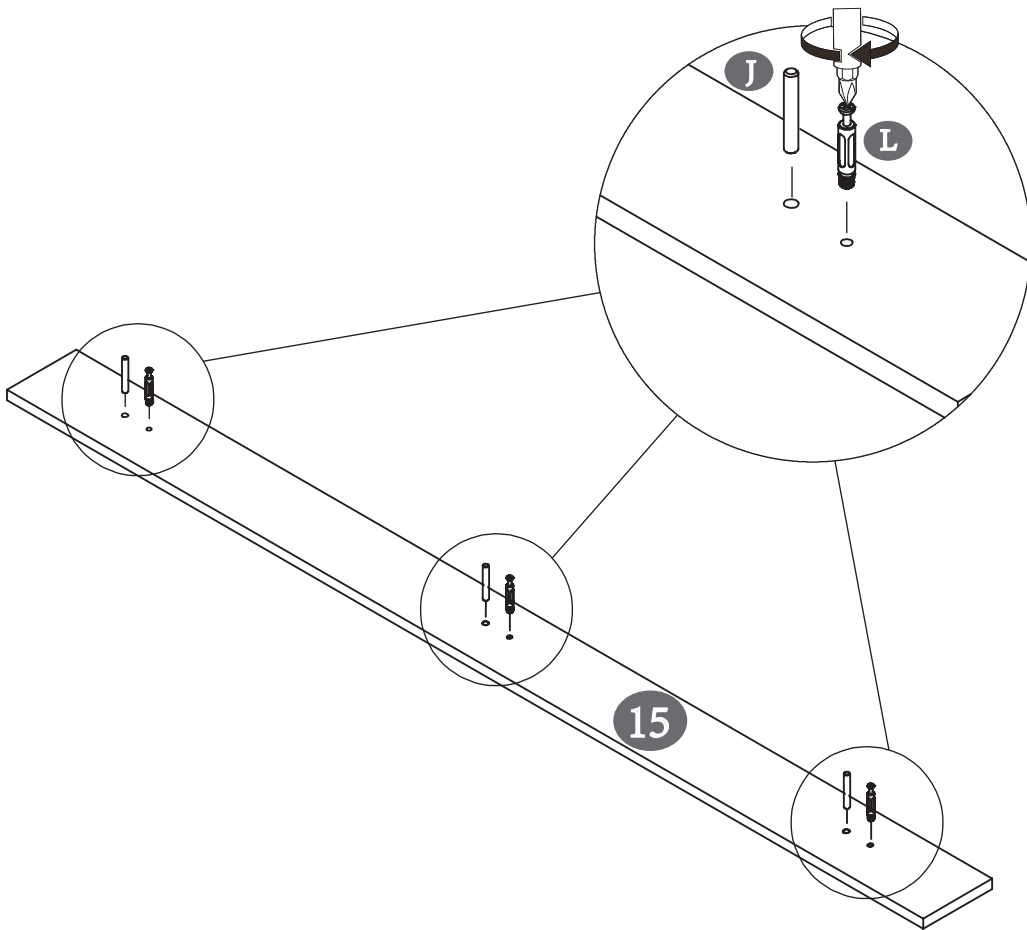
ASSEMBLY INSTRUCTIONS

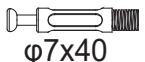
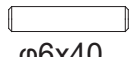
PARTS LIST

<p>A</p>  <p>M8x12 30PCS</p>	<p>B</p>  <p>M8x20 Colored Zinc 12PCS</p>	<p>C</p>  <p>M8x25 8PCS</p>
<p>D</p>  <p>M8x30 Colored Zinc 12PCS</p>	<p>E</p>  <p>M8x33 White zinc 4PCS</p>	<p>F</p>  <p>M8x40 32PCS</p>
<p>G</p>  <p>M8x55 5PCS</p>	<p>H</p>  <p>M5x50 6PCS</p>	<p>I</p>  <p>ST4.2x12 2PCS</p>
<p>J</p>  <p>φ6x40 22PCS</p>	<p>L</p>  <p>φ7x40 22PCS</p>	<p>M</p>  <p>φ15x9.5 22PCS</p>
<p>N</p>  <p>M8 1PC</p>	<p>O</p>  <p>M8 1PC</p>	<p>P</p>  <p>M5 16PCS</p>
<p>Q</p>  <p>24PCS</p>	<p>U</p>  <p>1PC</p>	<p>K</p>  <p>short long 1PC</p>

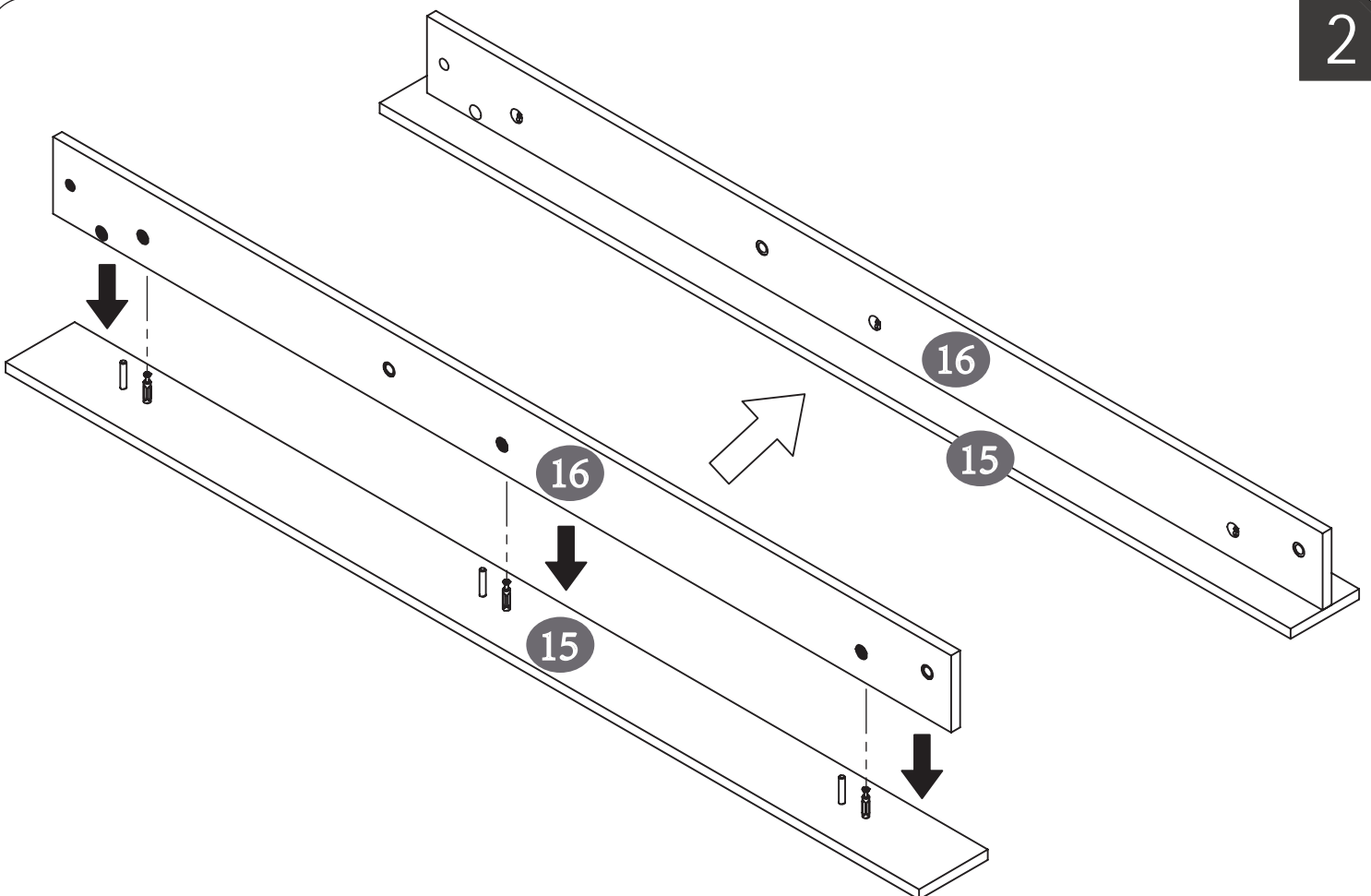
ASSEMBLY INSTRUCTIONS

1



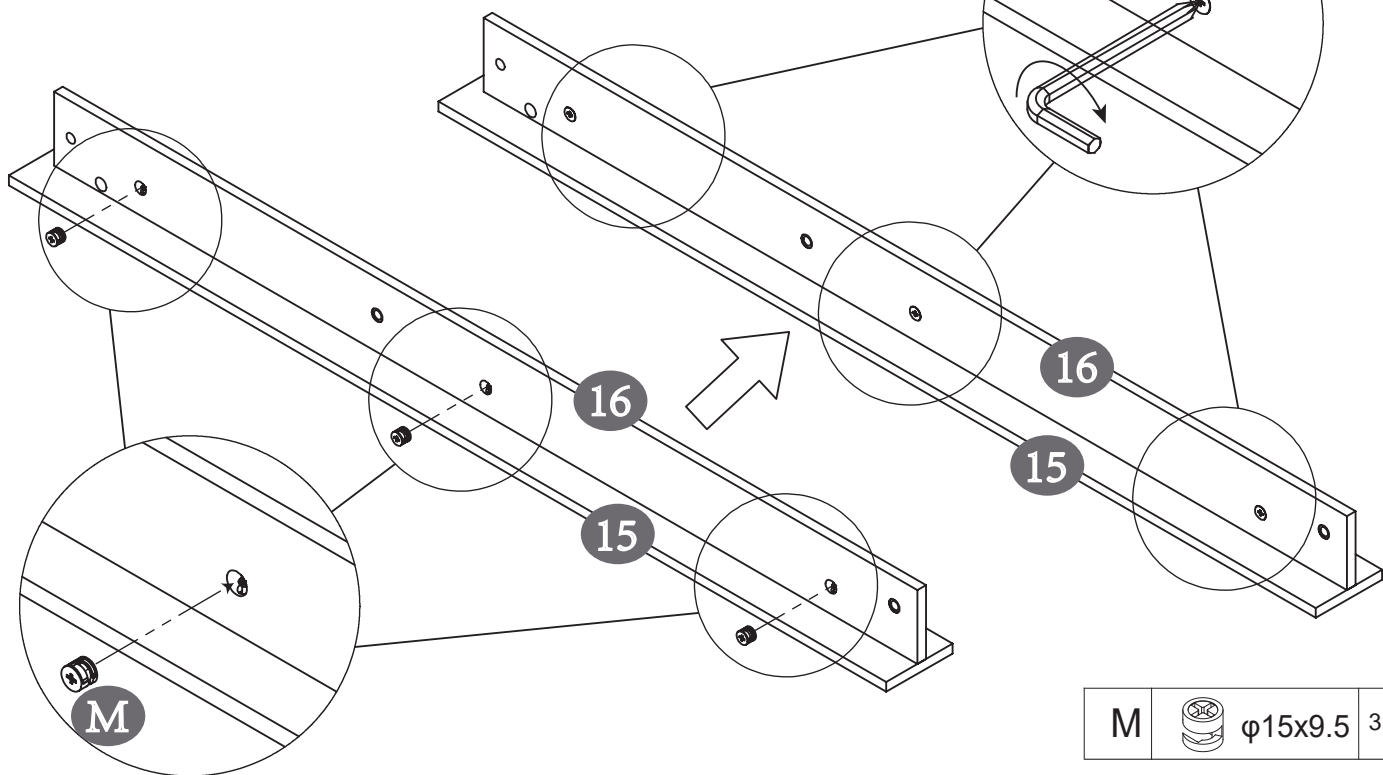
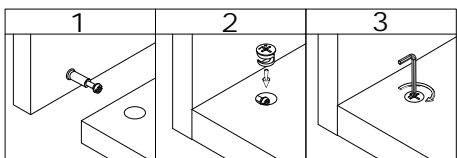
L	 φ7x40	3pcs
J	 φ6x40	3pcs

2



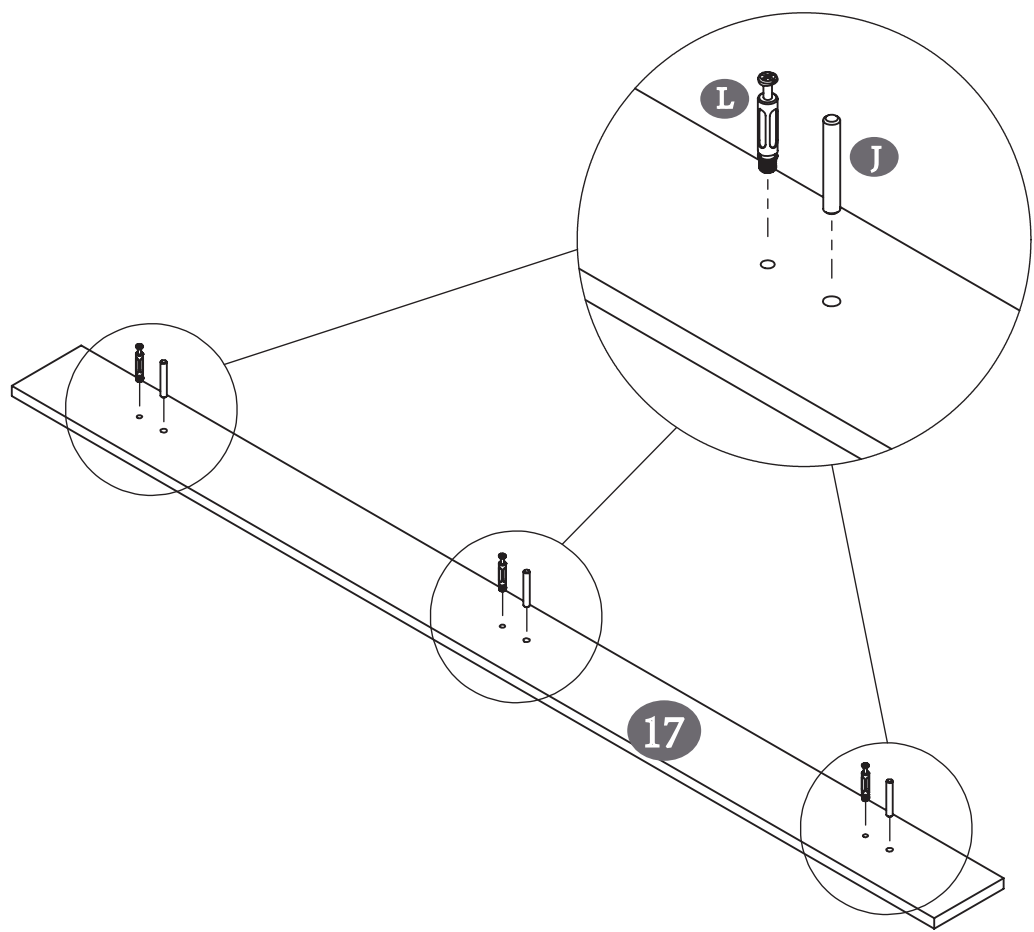
ASSEMBLY INSTRUCTIONS

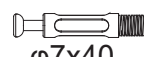
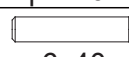
3



M		φ15x9.5	3 pcs
---	---	---------	-------

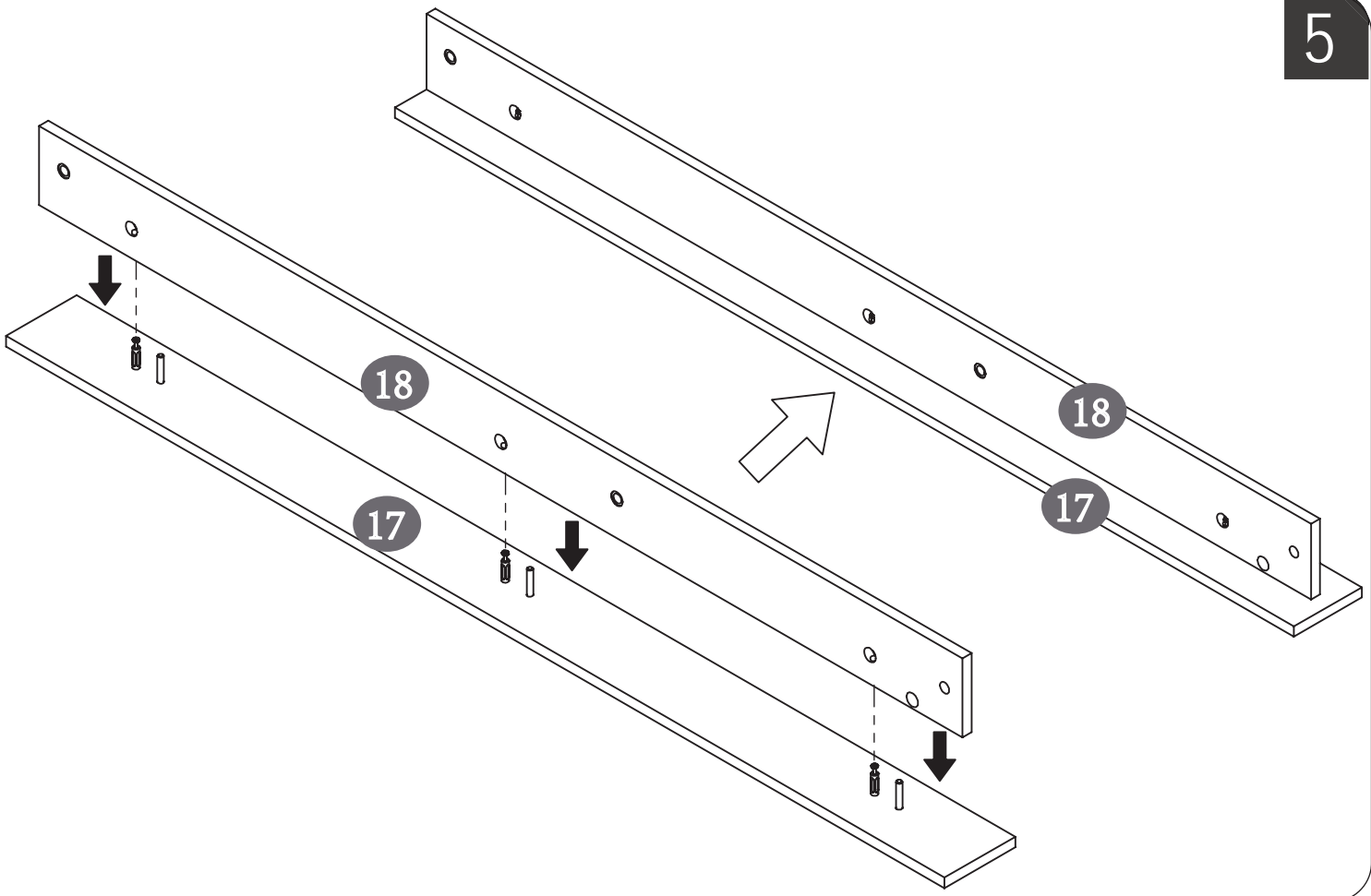
4



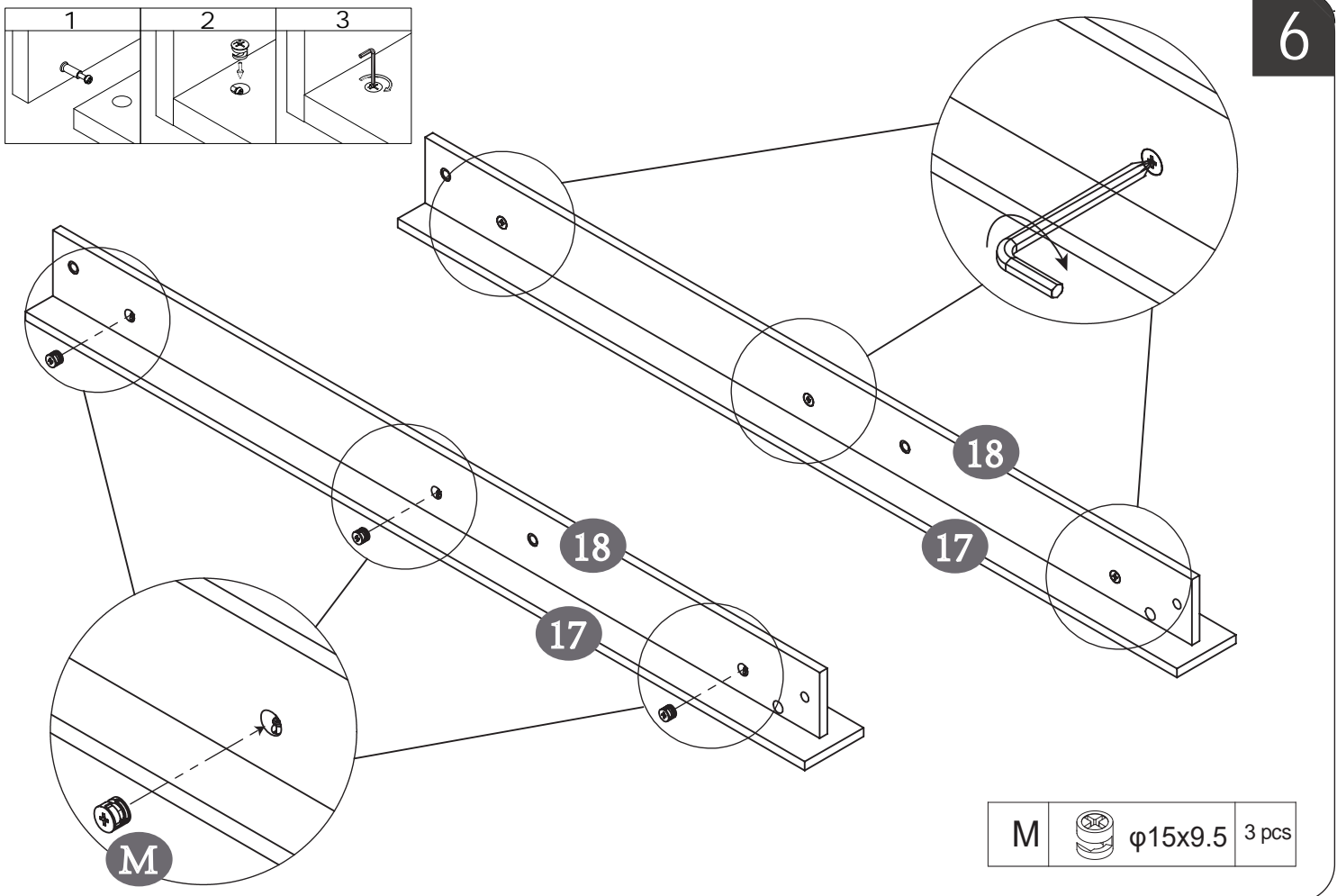
L		φ7x40	3pcs
J		φ6x40	3pcs

ASSEMBLY INSTRUCTIONS

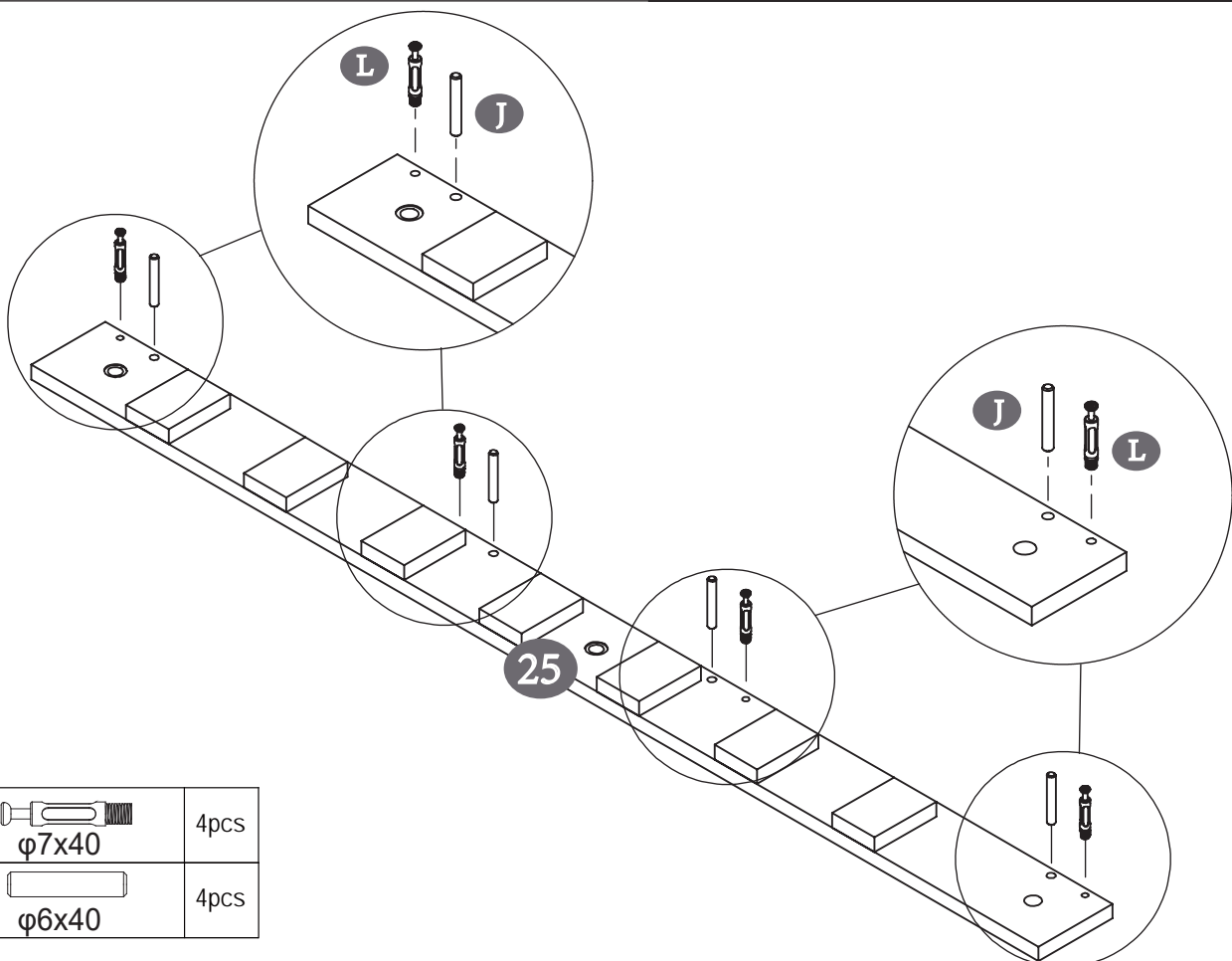
5

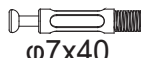
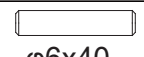


6

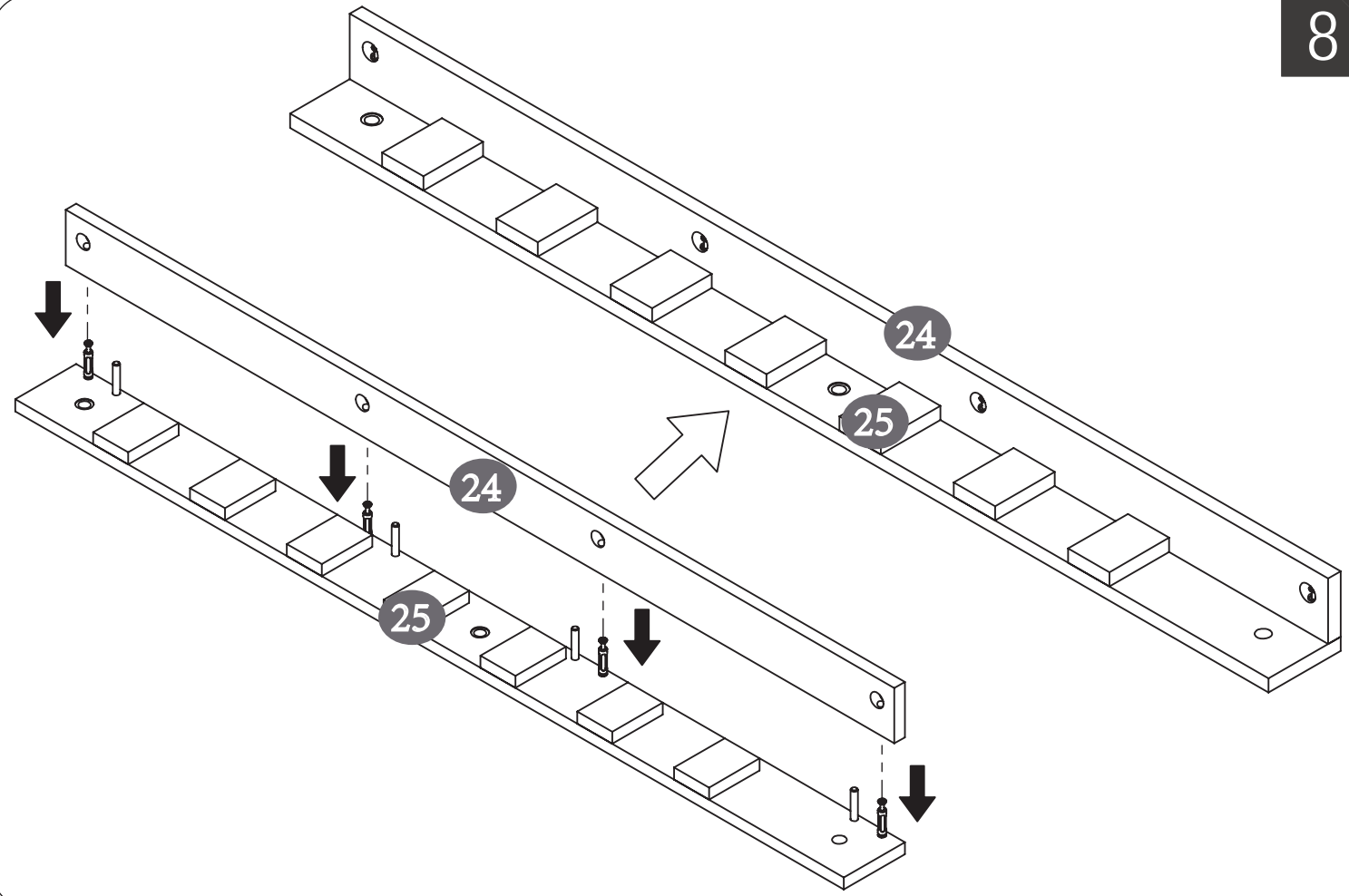


7



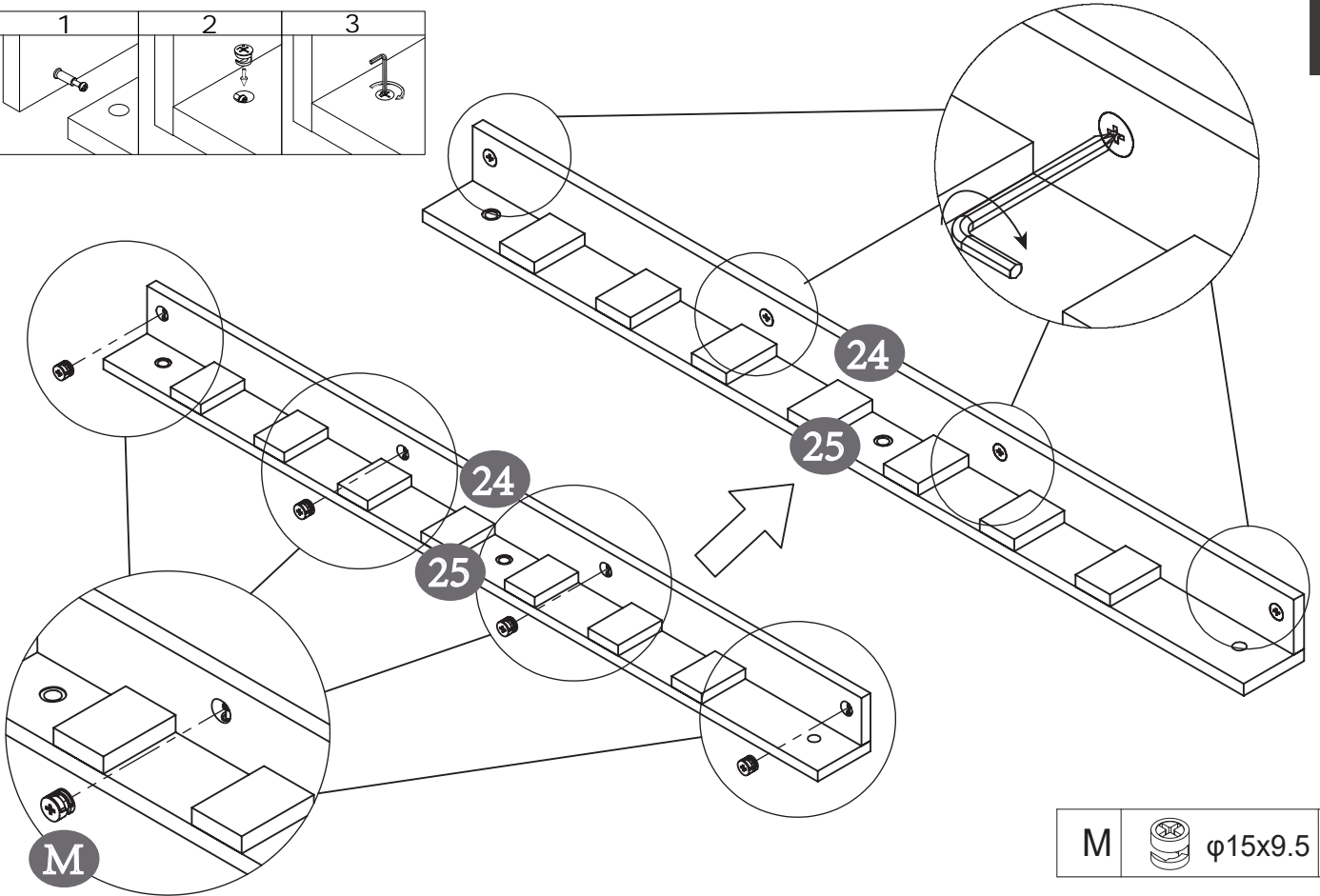
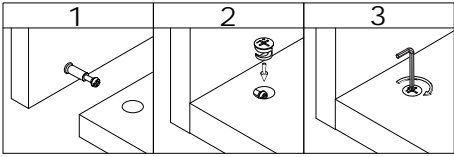
L	 φ7x40	4pcs
J	 φ6x40	4pcs

8



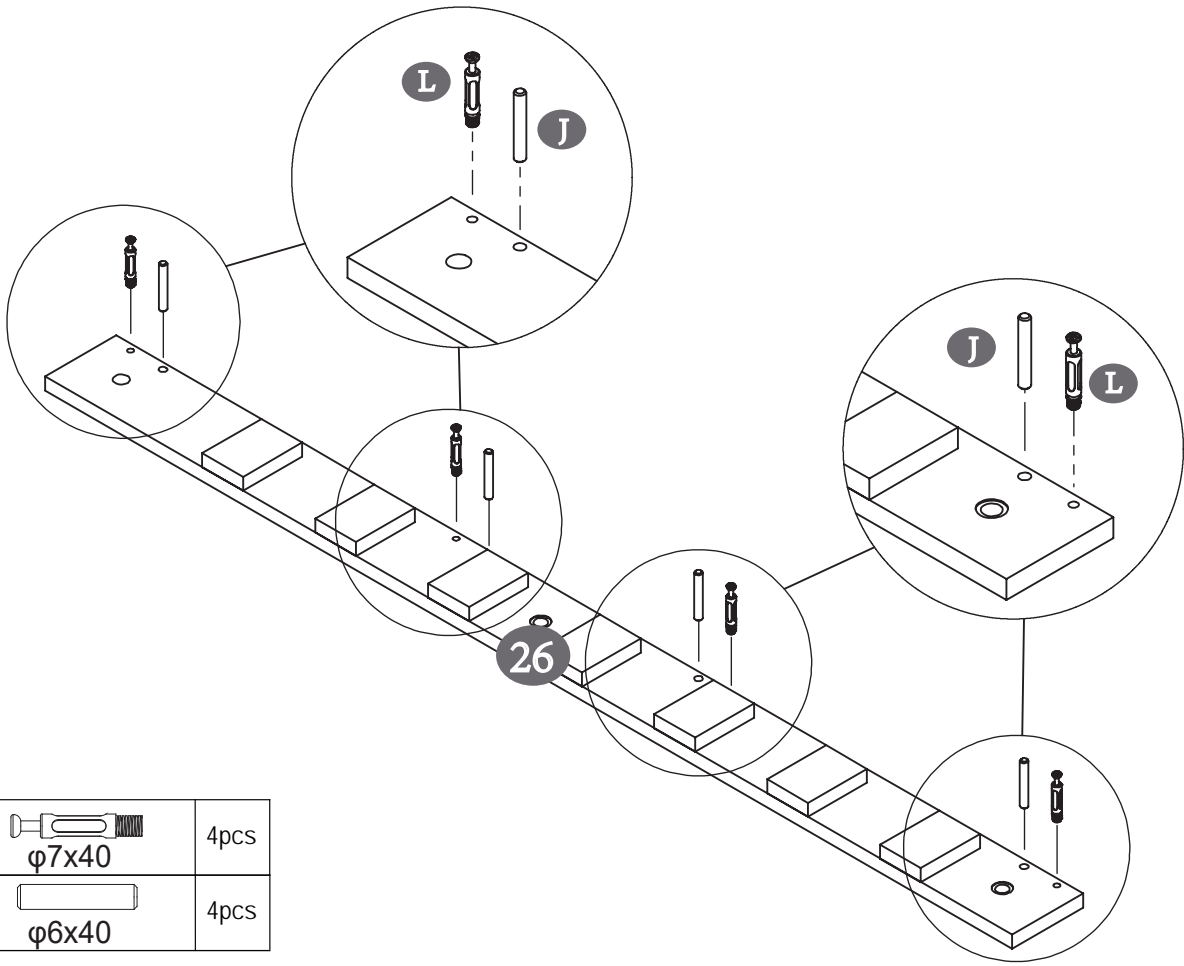
ASSEMBLY INSTRUCTIONS

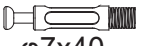
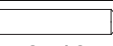
9



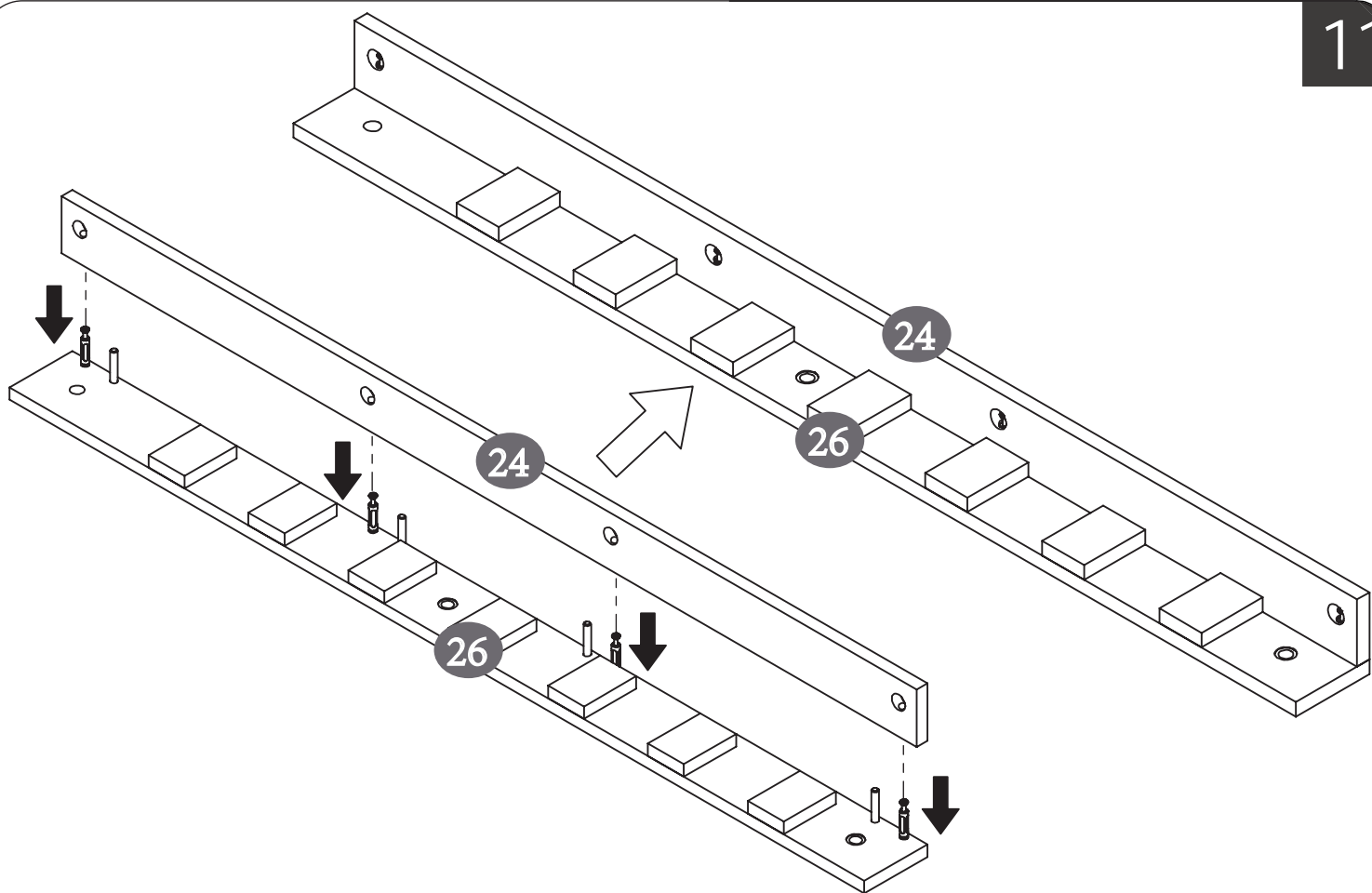
M		$\phi 15 \times 9.5$	4 pcs
---	---	----------------------	-------

10

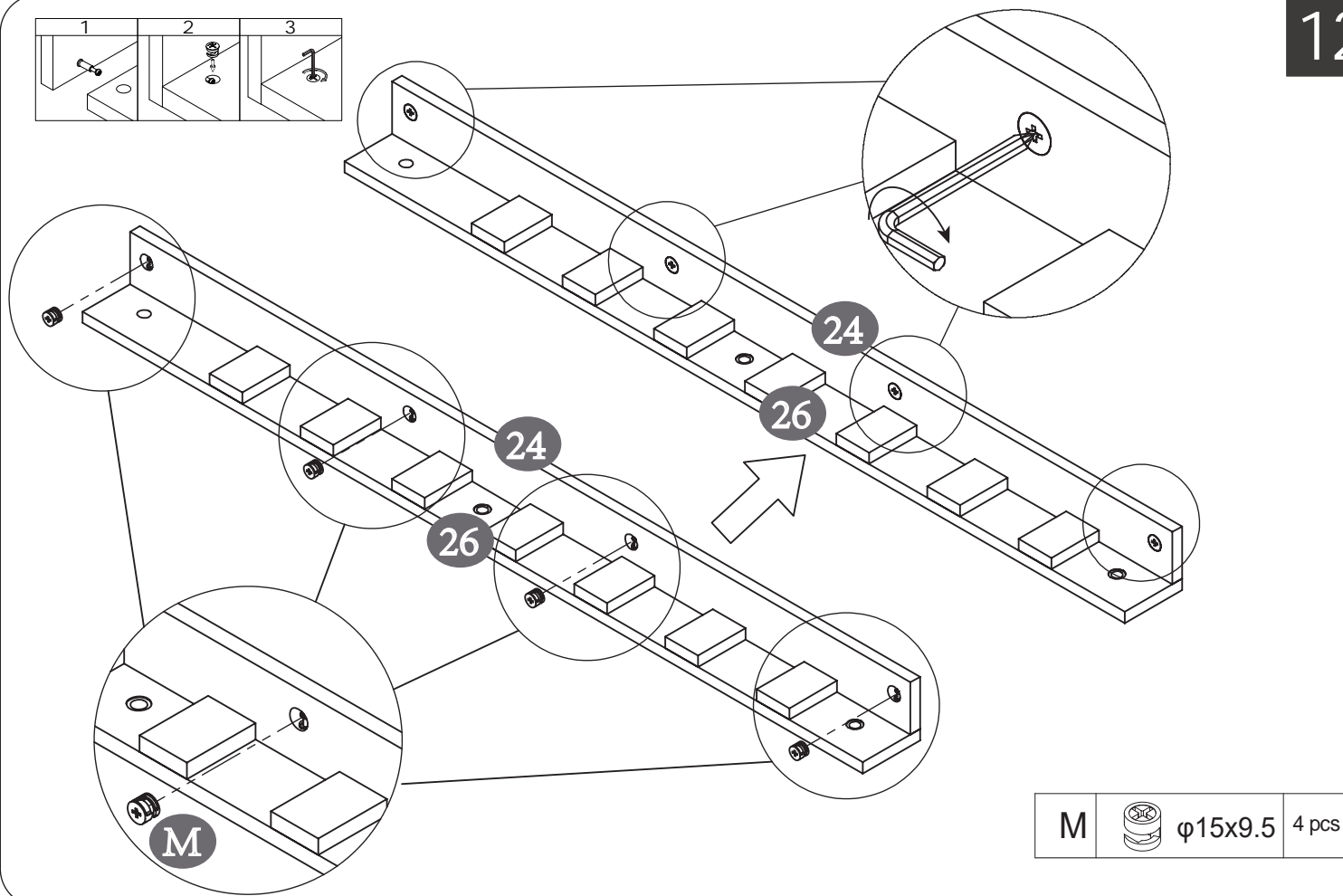


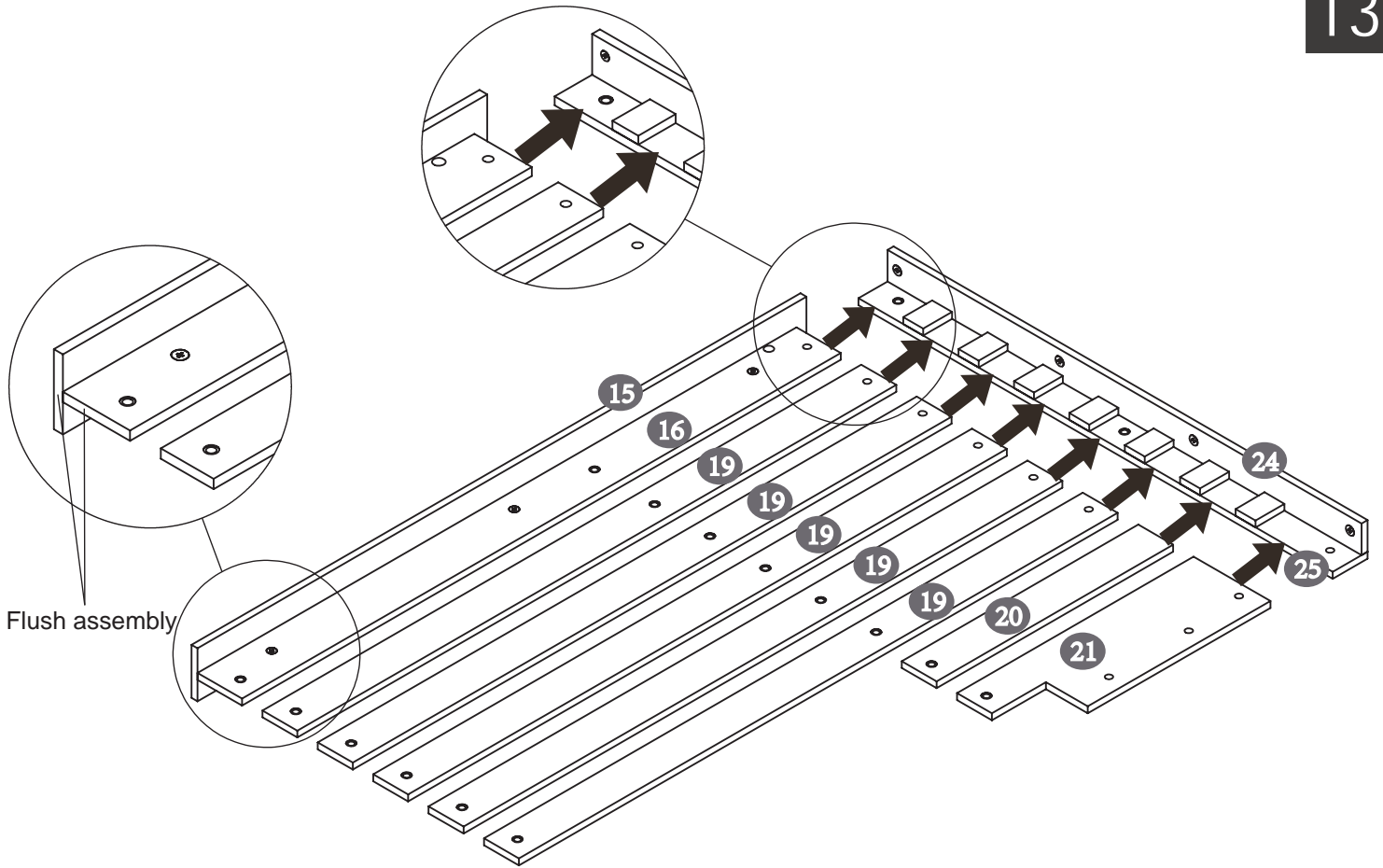
L		$\phi 7 \times 40$	4 pcs
J		$\phi 6 \times 40$	4 pcs

11



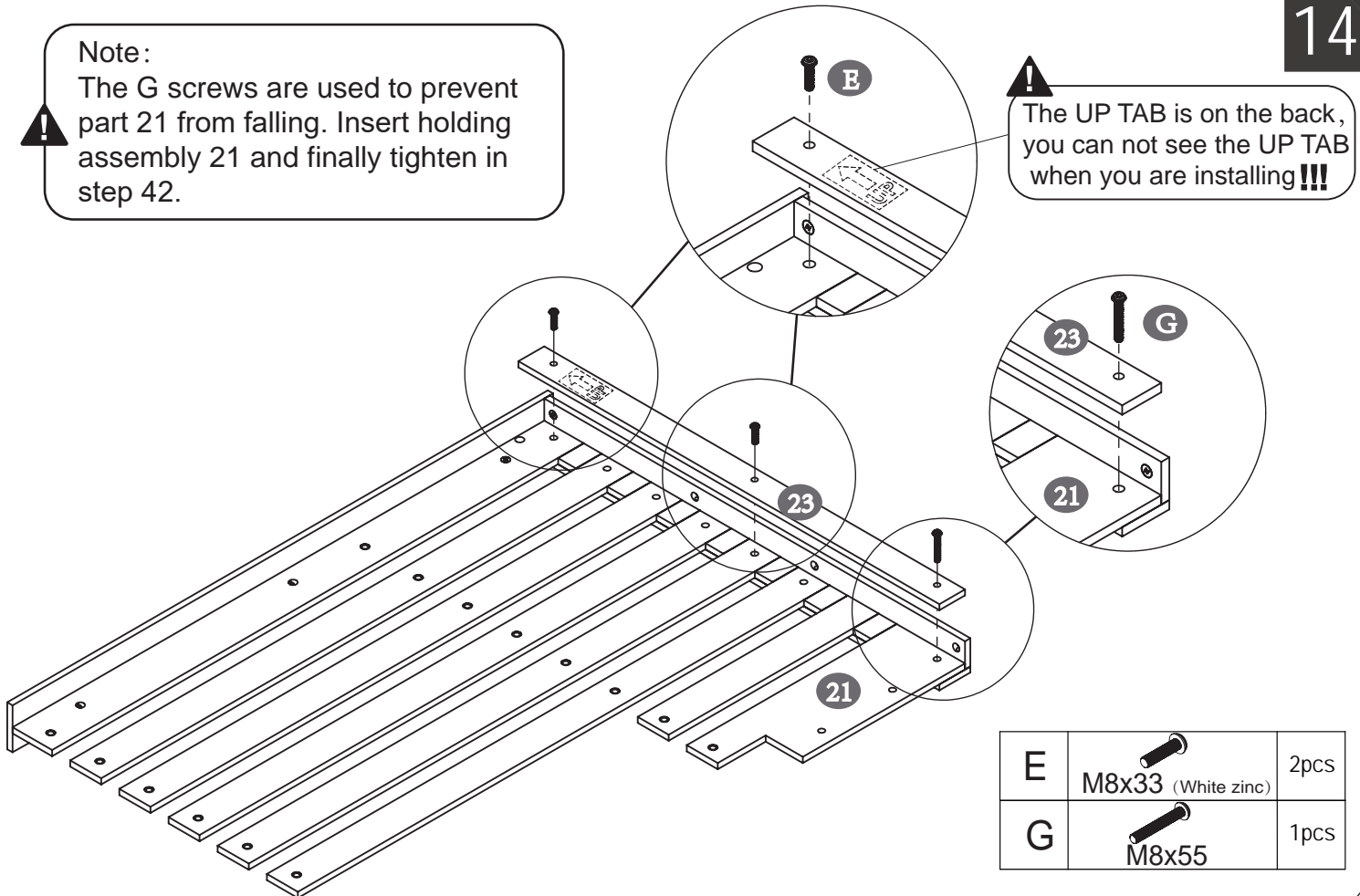
12



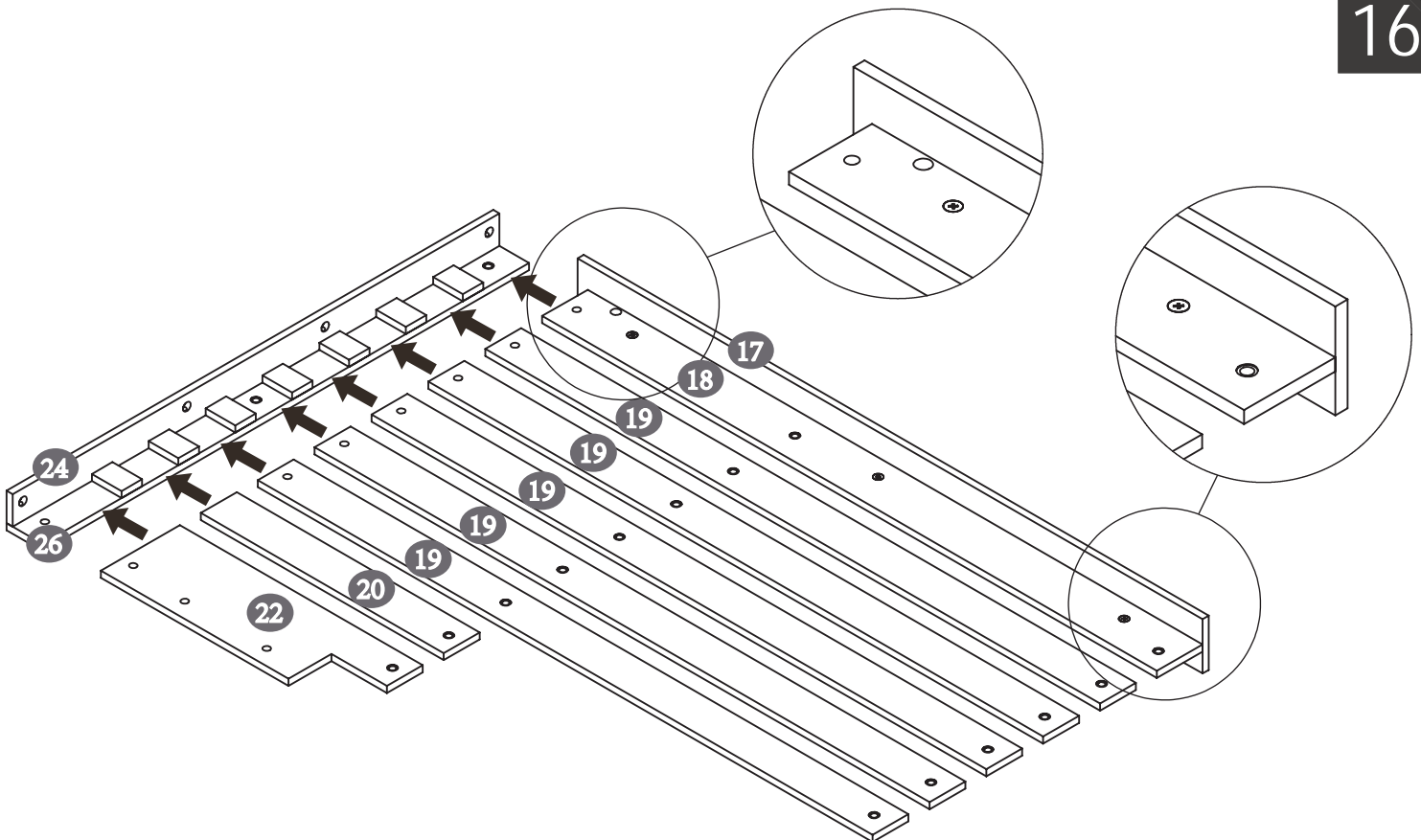
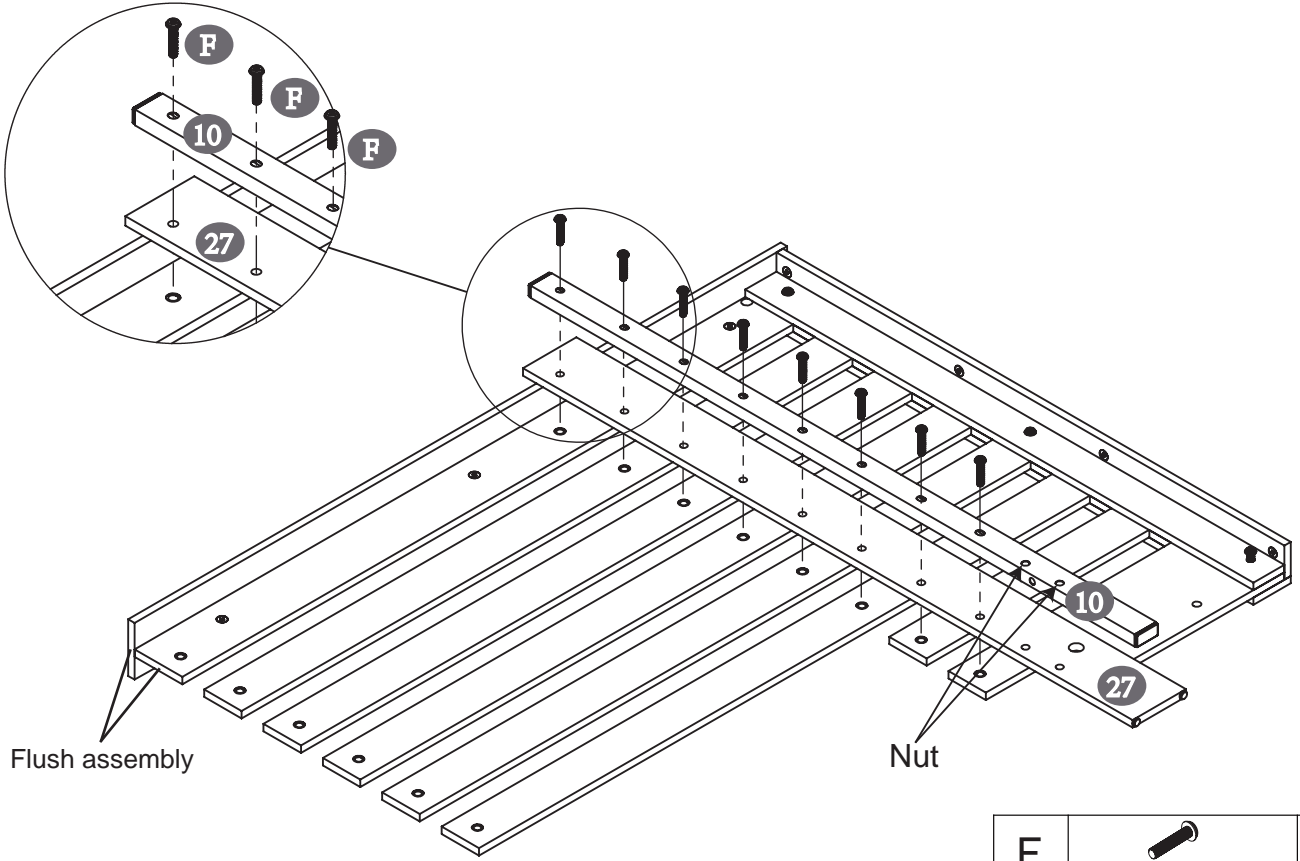


Note:
The G screws are used to prevent part 21 from falling. Insert holding assembly 21 and finally tighten in step 42.

! The UP TAB is on the back, you can not see the UP TAB when you are installing !!!

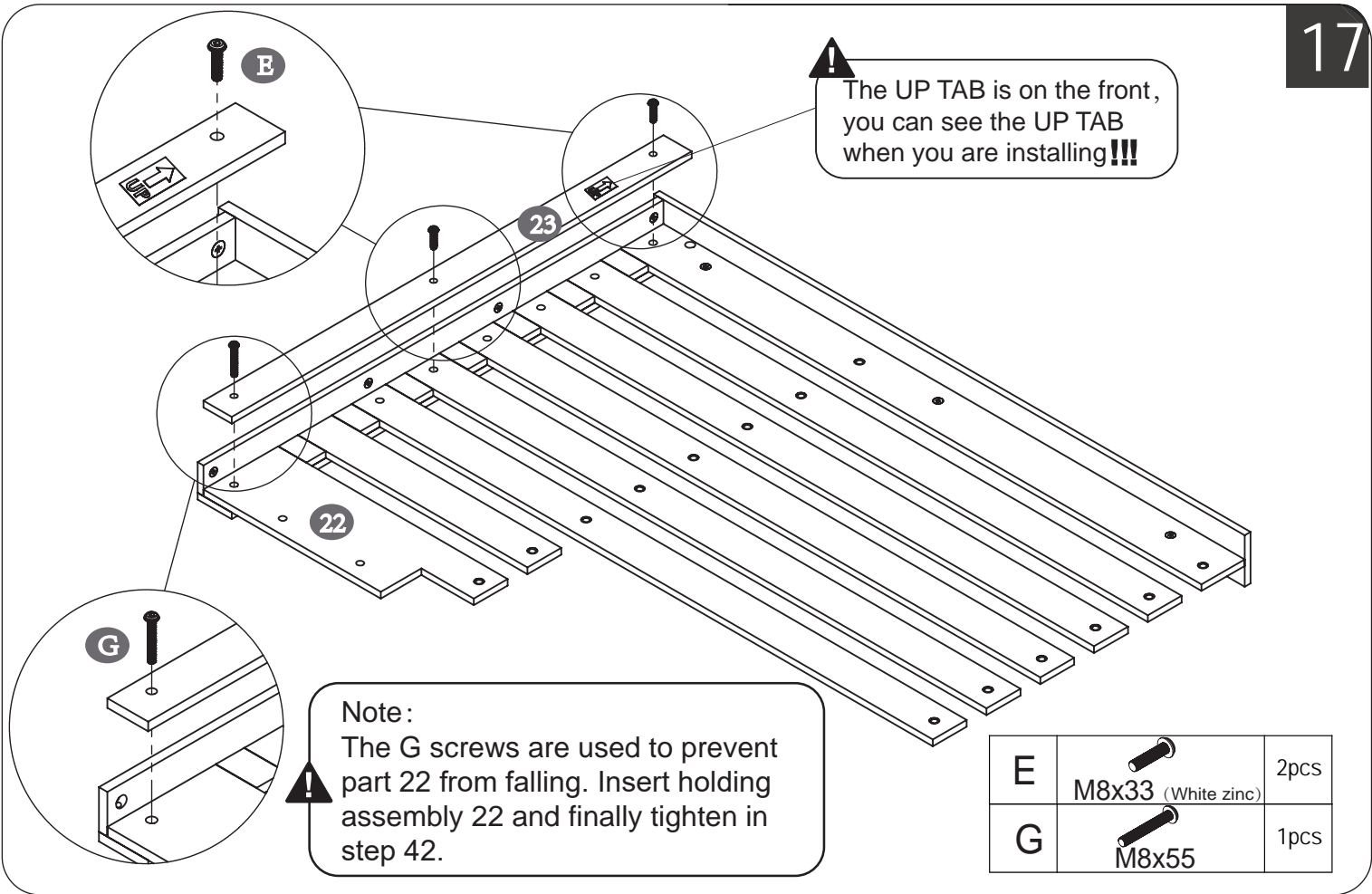


E	 M8x33 (White zinc)	2pcs
G	 M8x55	1pcs

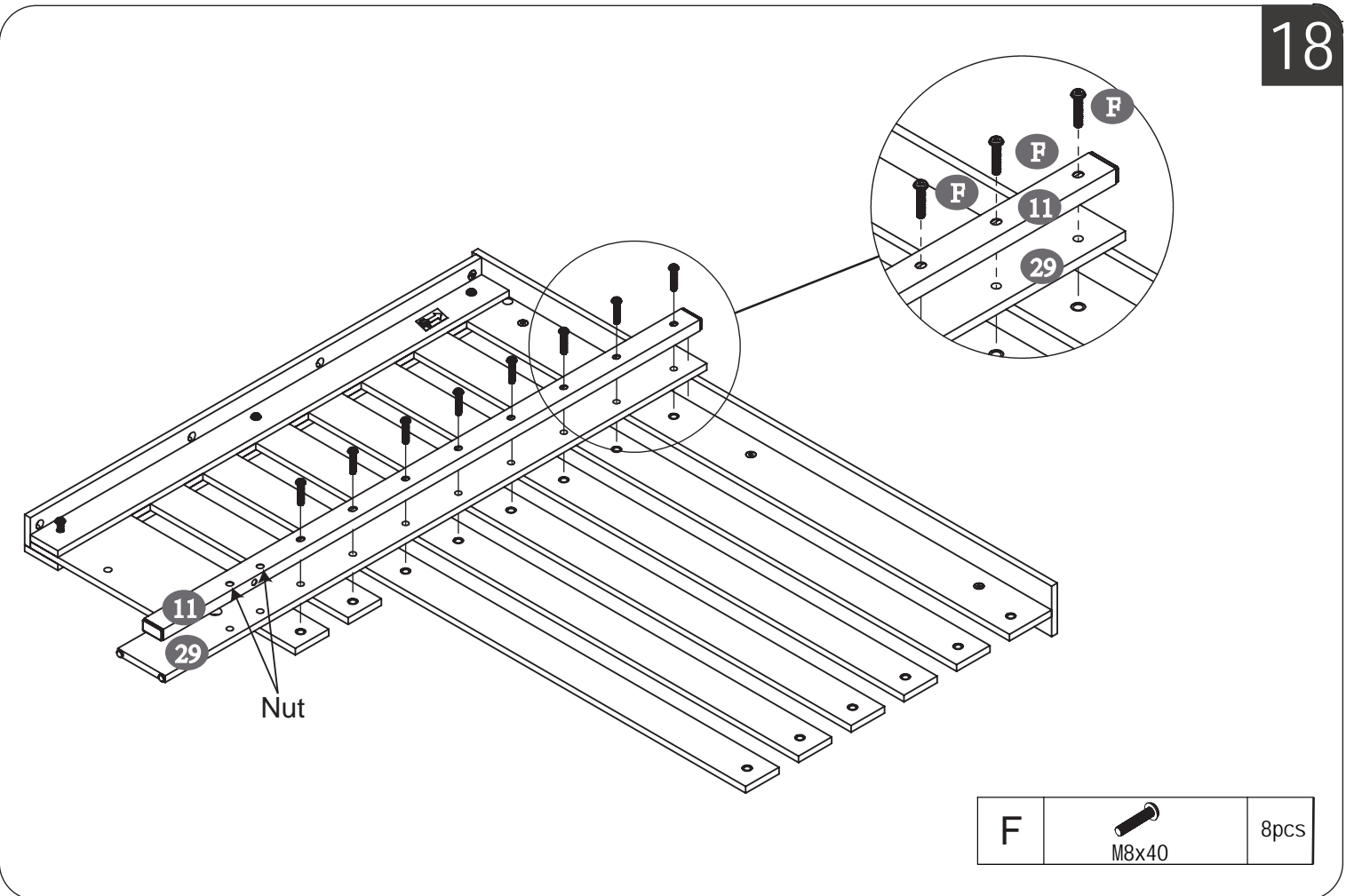


ASSEMBLY INSTRUCTIONS

17

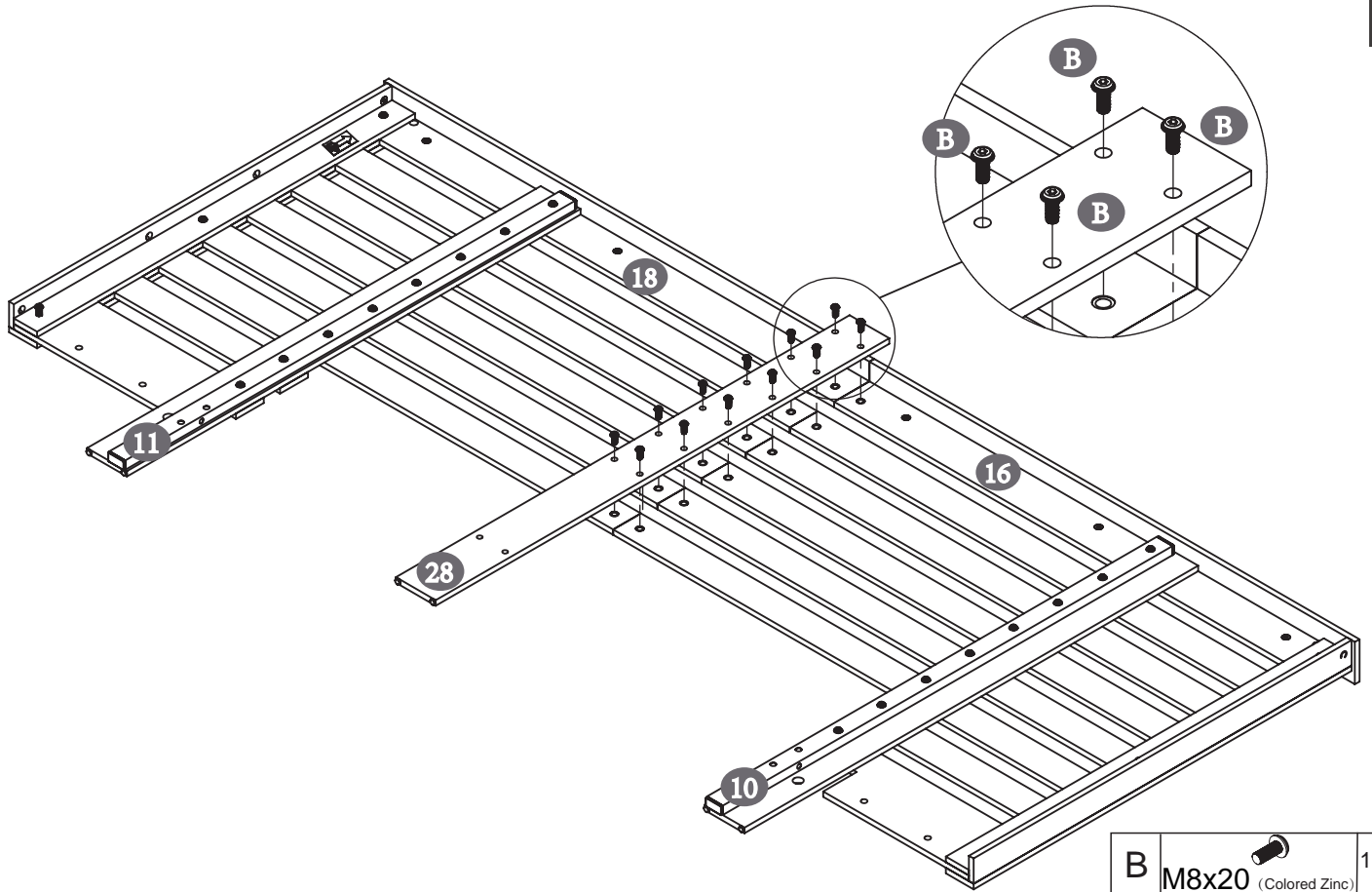


18

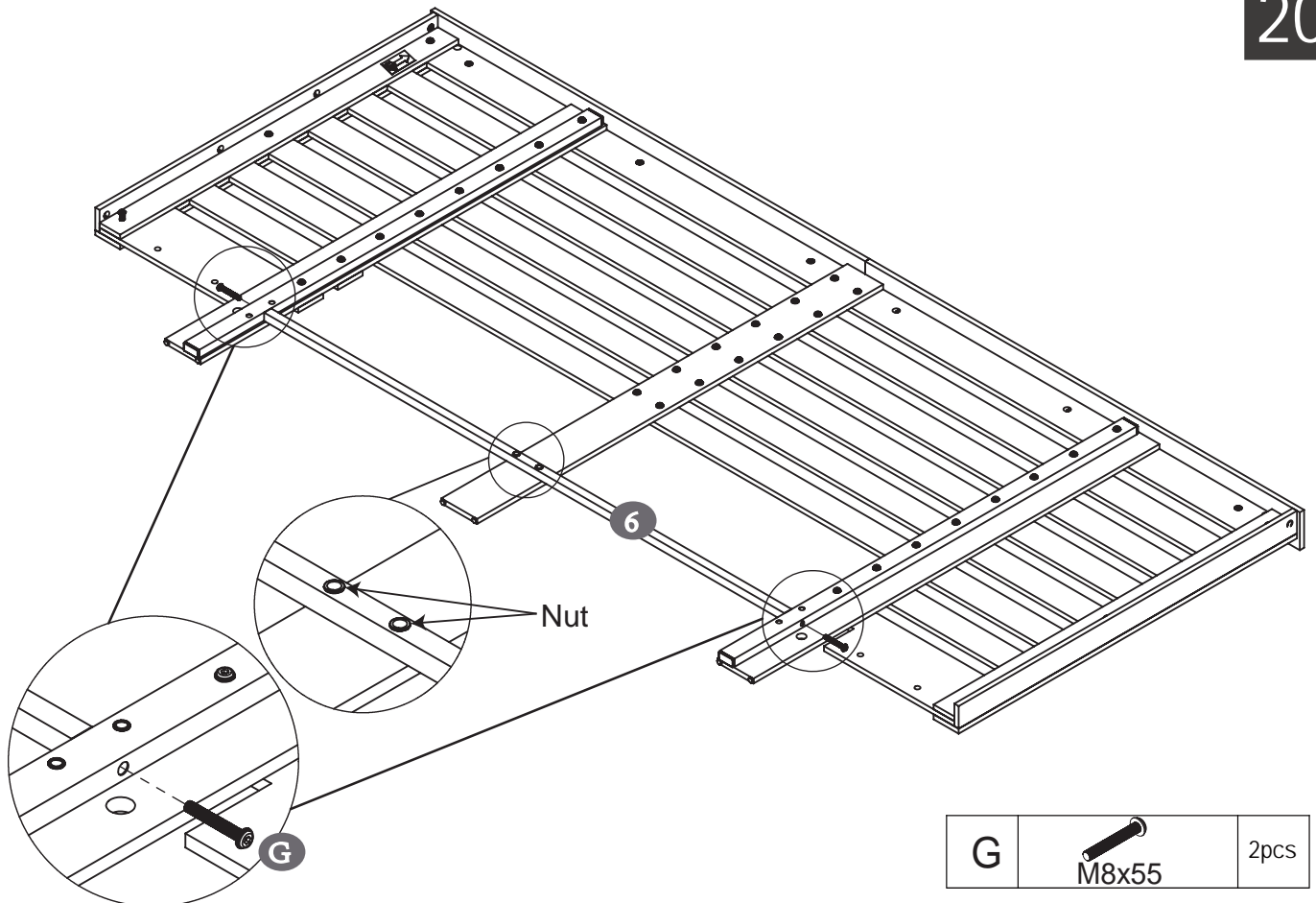


ASSEMBLY INSTRUCTIONS

19

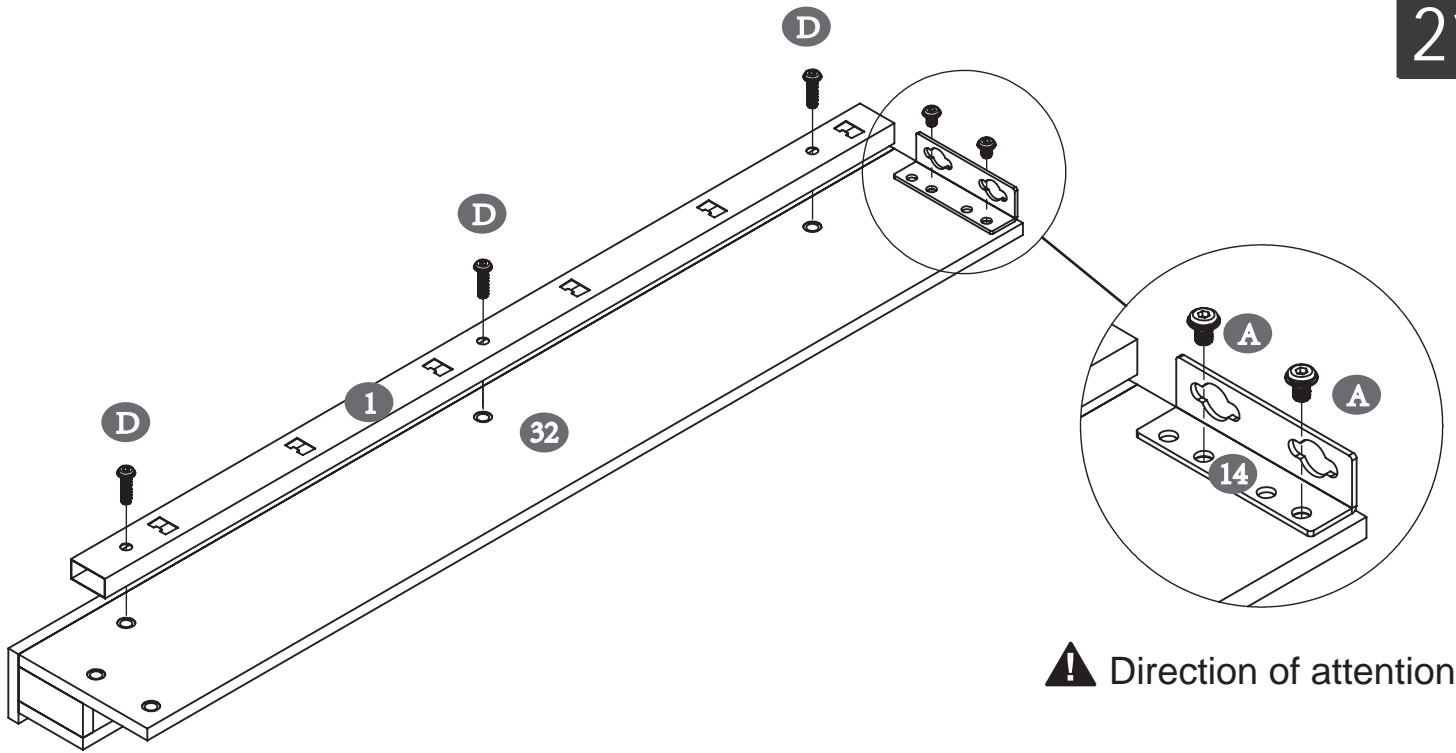


20



ASSEMBLY INSTRUCTIONS

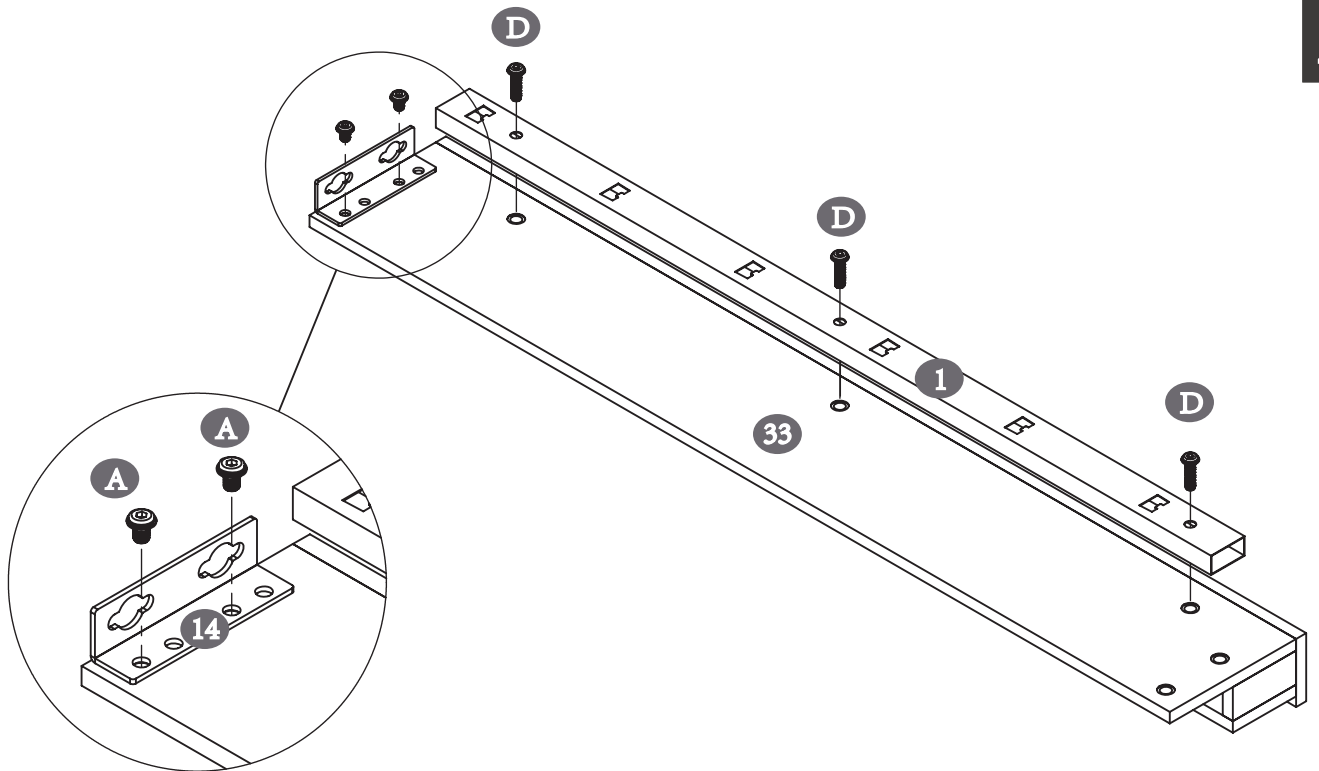
21





▲ Direction of attention

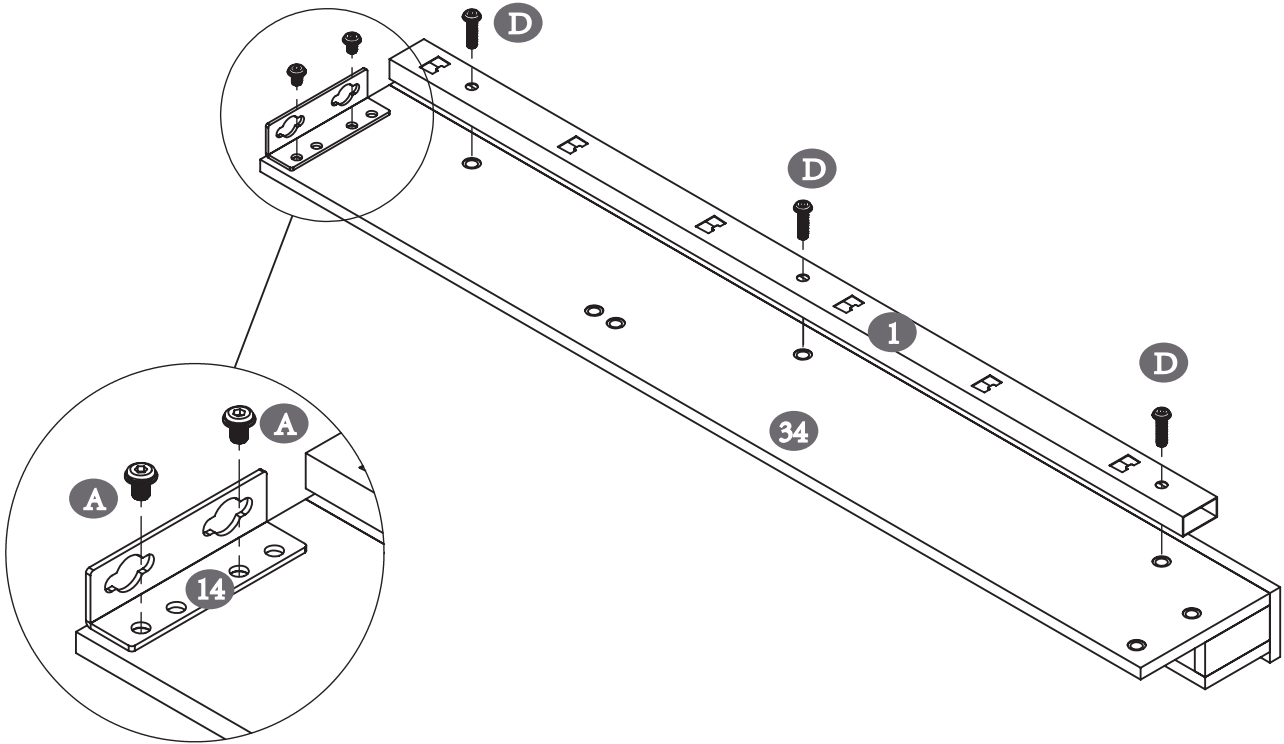
A	 M8x12	2pcs
D	 M8x30 (Colored Zinc)	3pcs

22



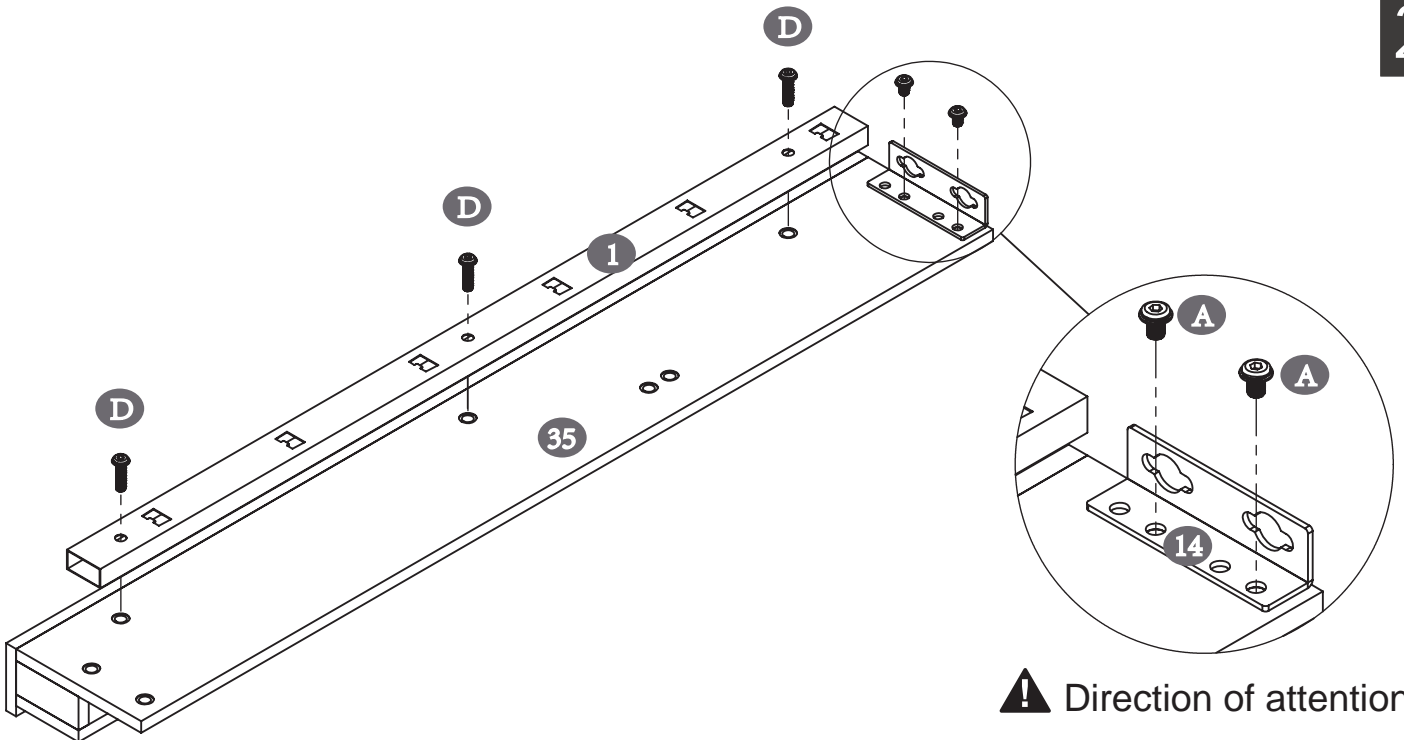
▲ Direction of attention

A	 M8x12	2pcs
D	 M8x30 (Colored Zinc)	3pcs



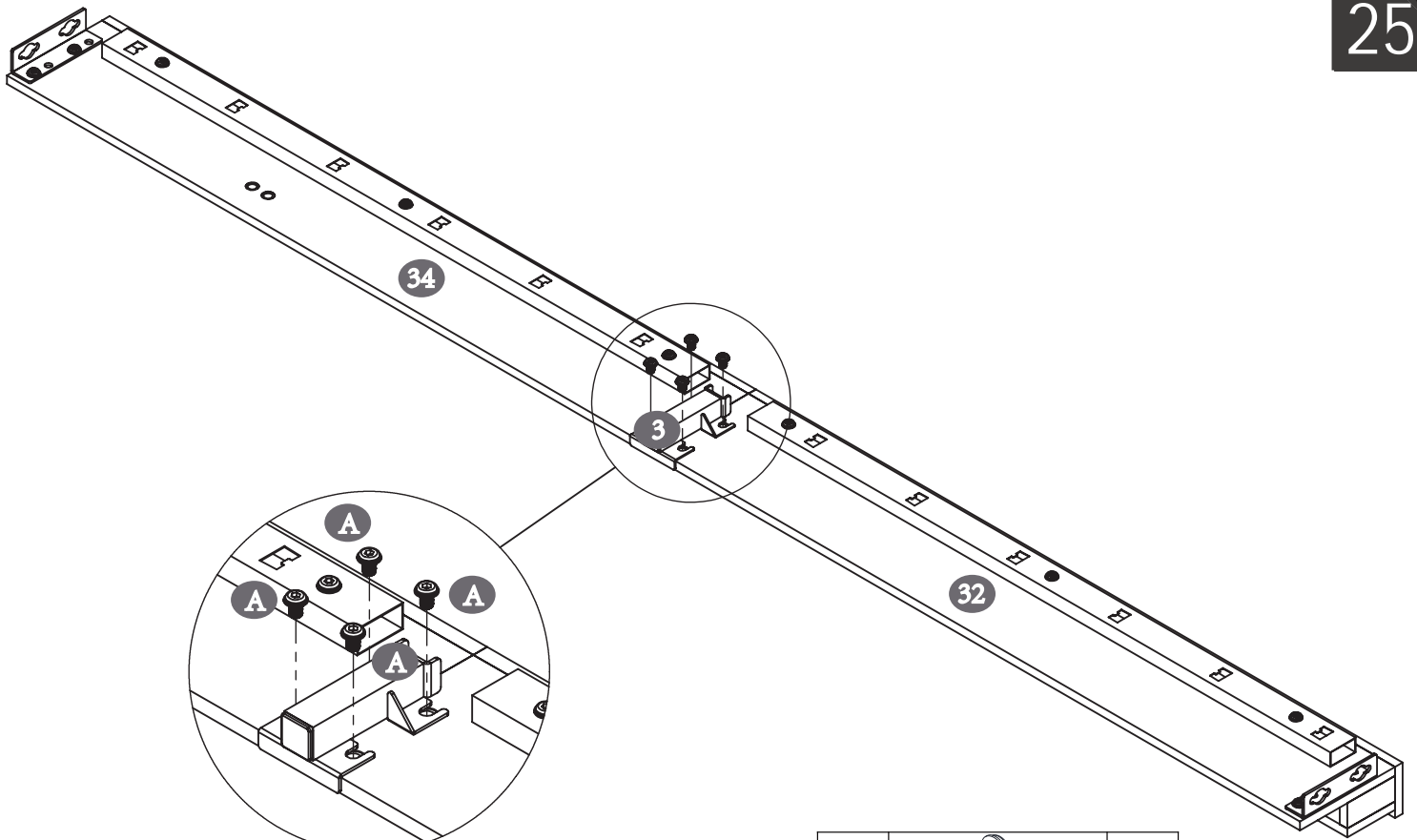
! Direction of attention

A	 M8x12	2pcs
D	 M8x30 (Colored Zinc)	3pcs

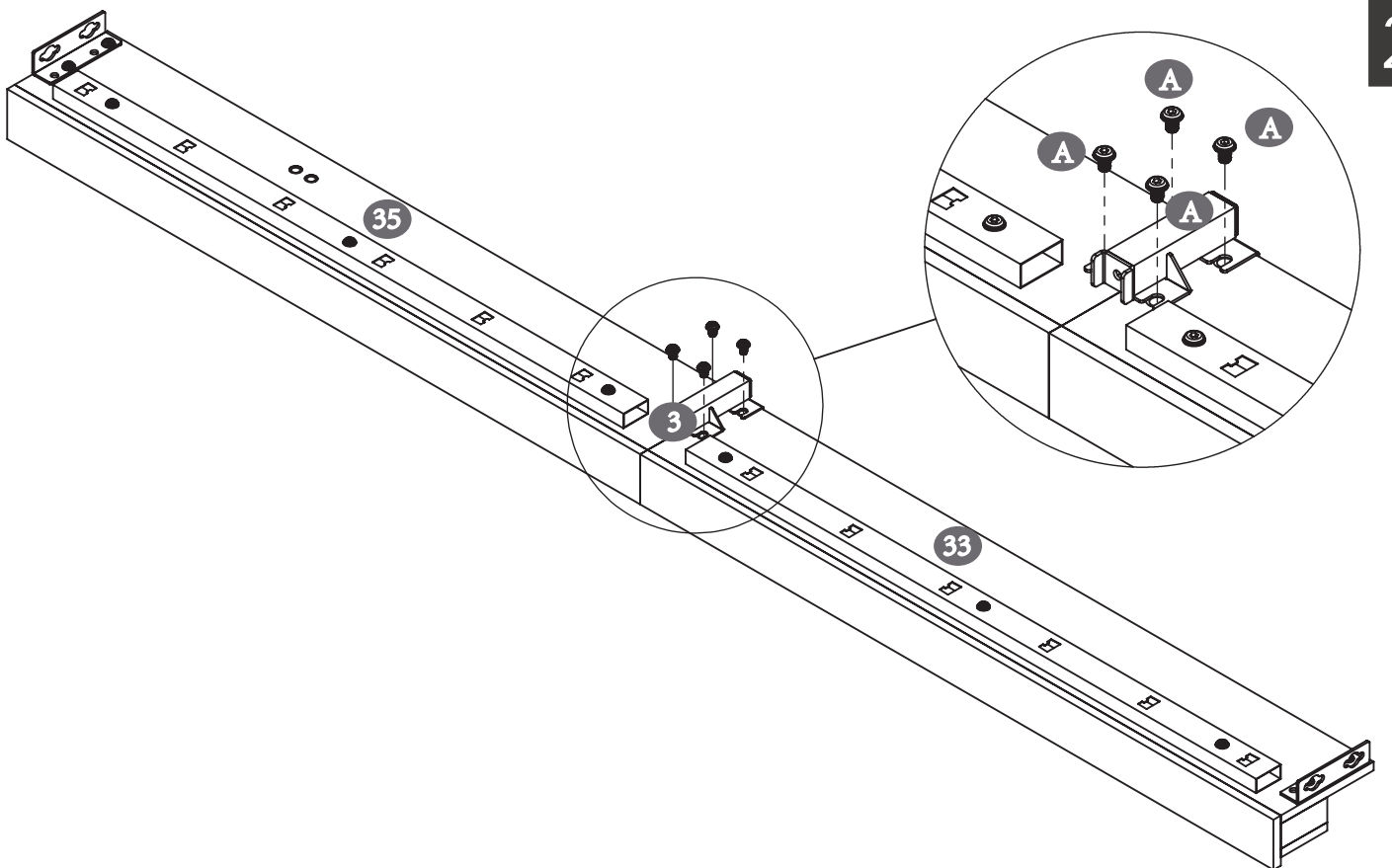


! Direction of attention

A	 M8x12	2pcs
D	 M8x30 (Colored Zinc)	3pcs

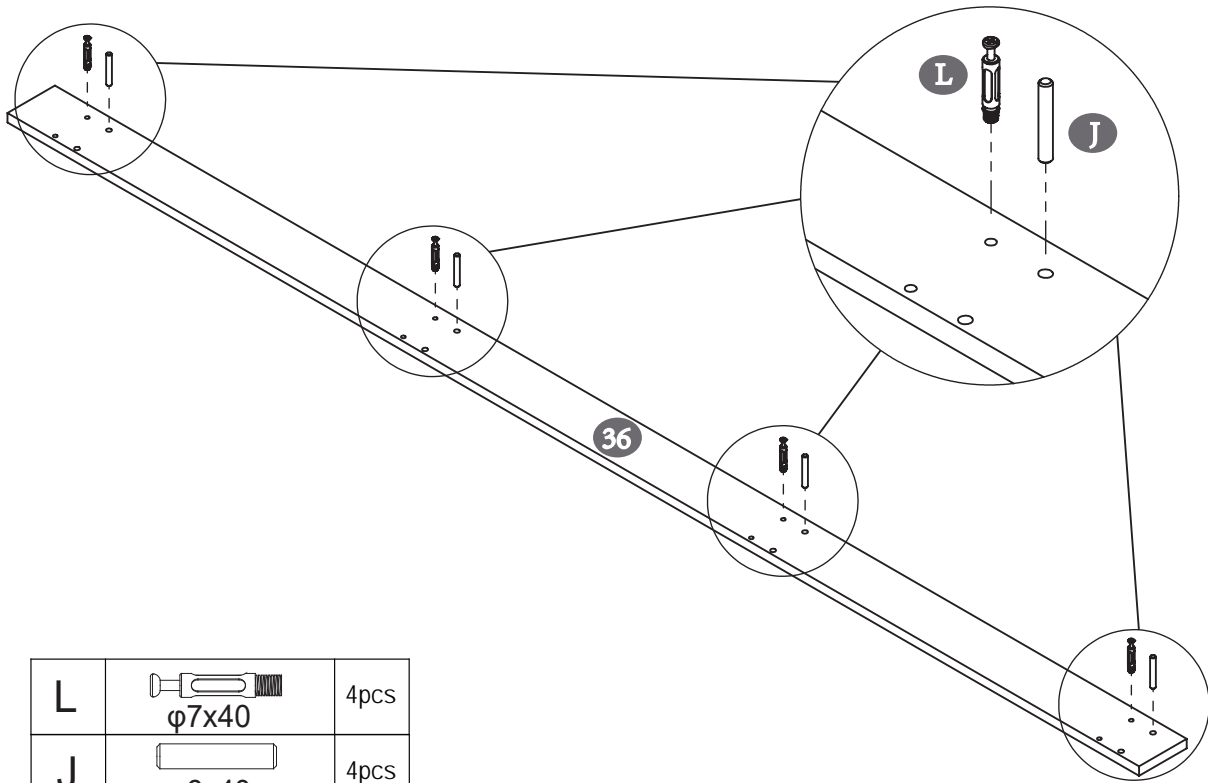


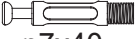

A	 M8x12	4pcs
---	--	------

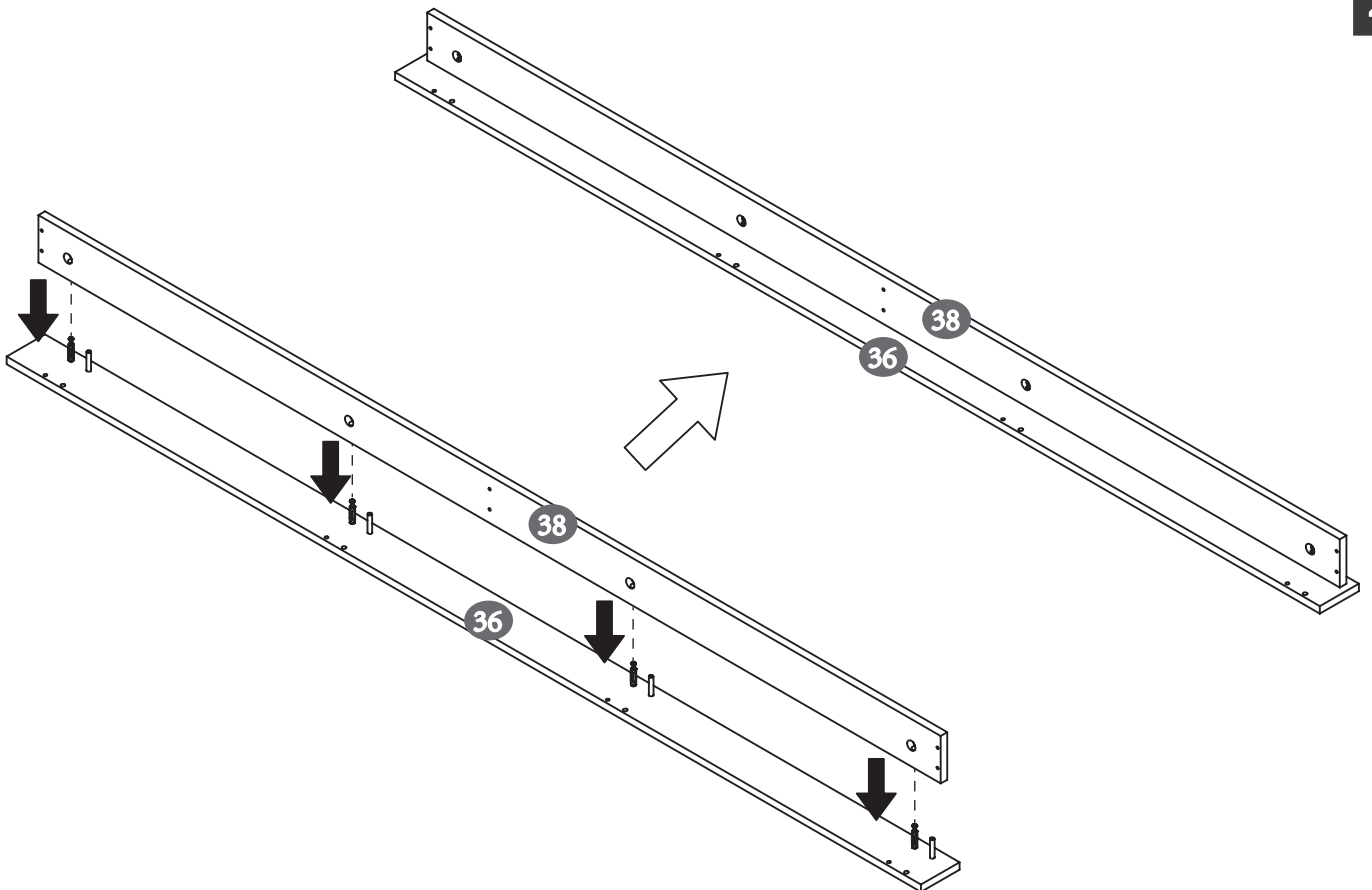


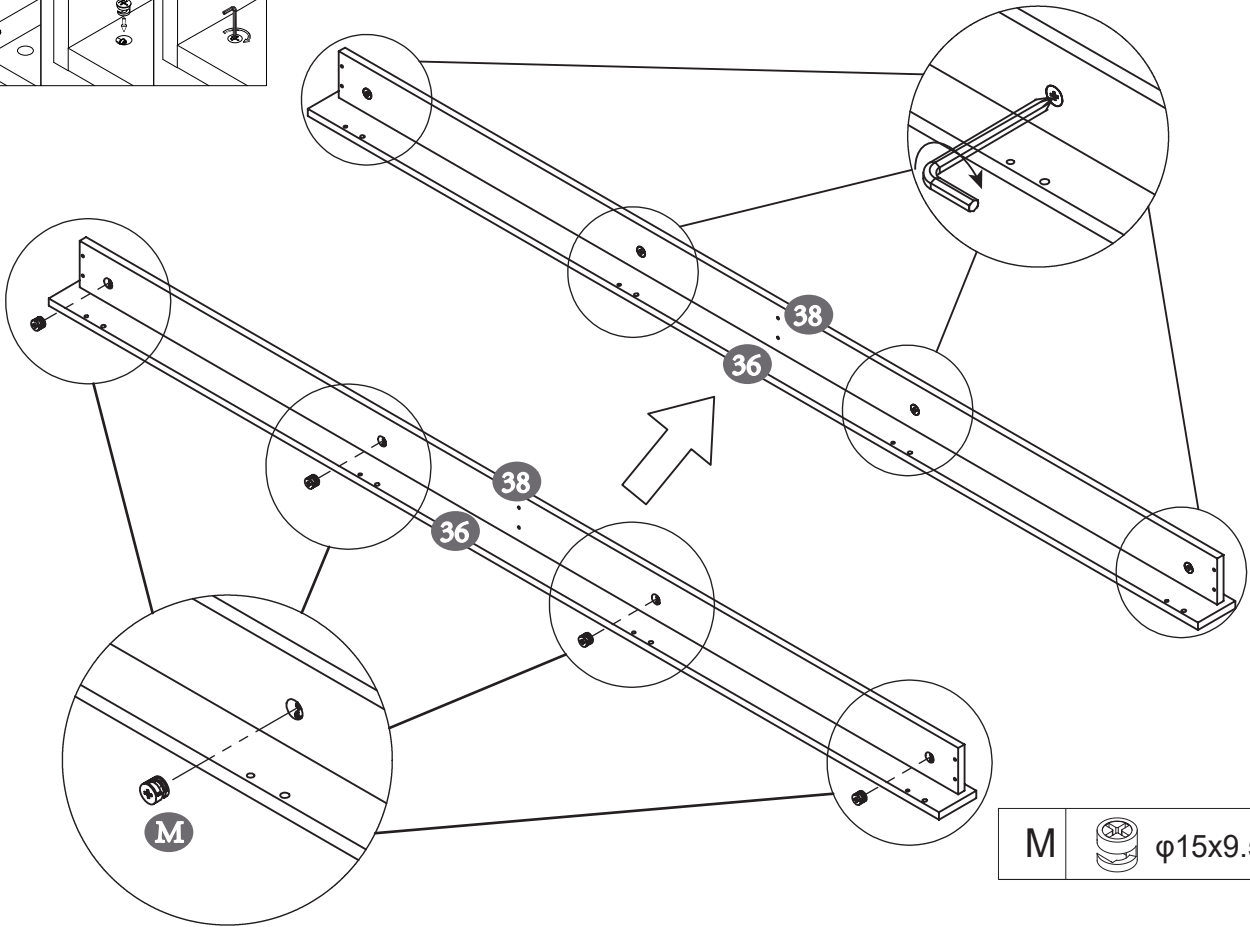
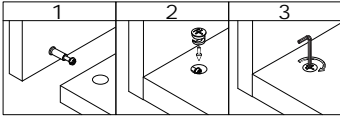
A	 M8x12	4pcs
---	--	------


! Direction of attention

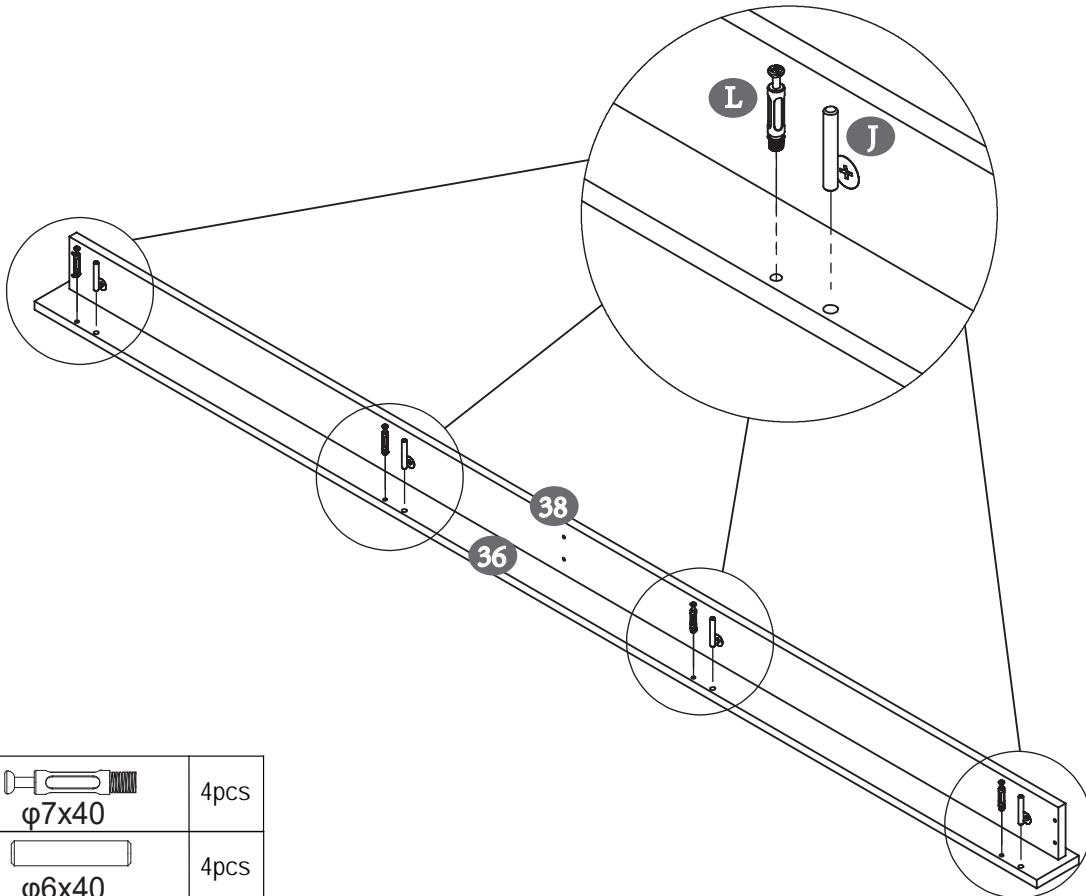


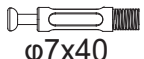
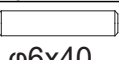
L	 φ7x40	4pcs
J	 φ6x40	4pcs



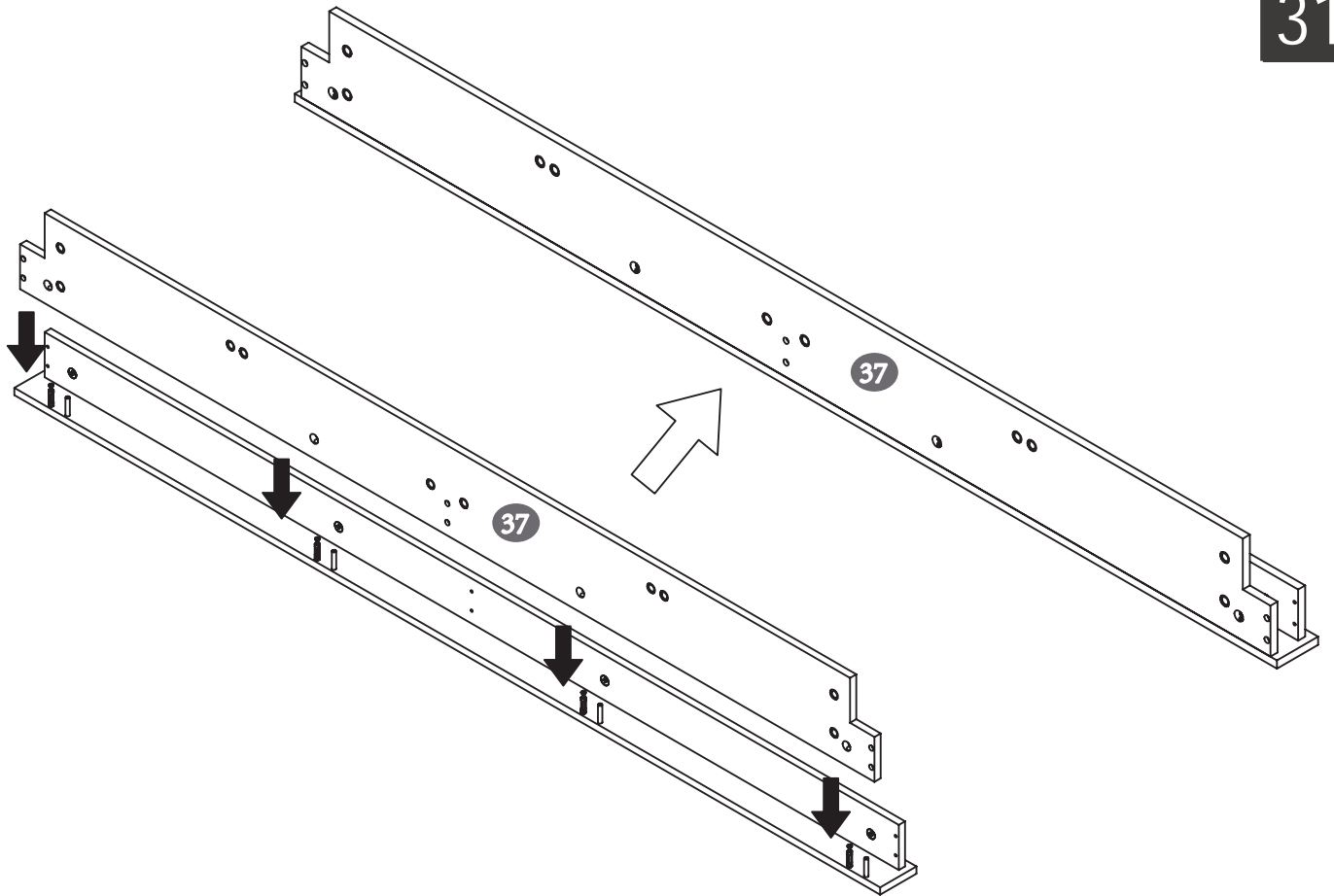


M		φ15x9.5	4 pcs
---	---	---------	-------

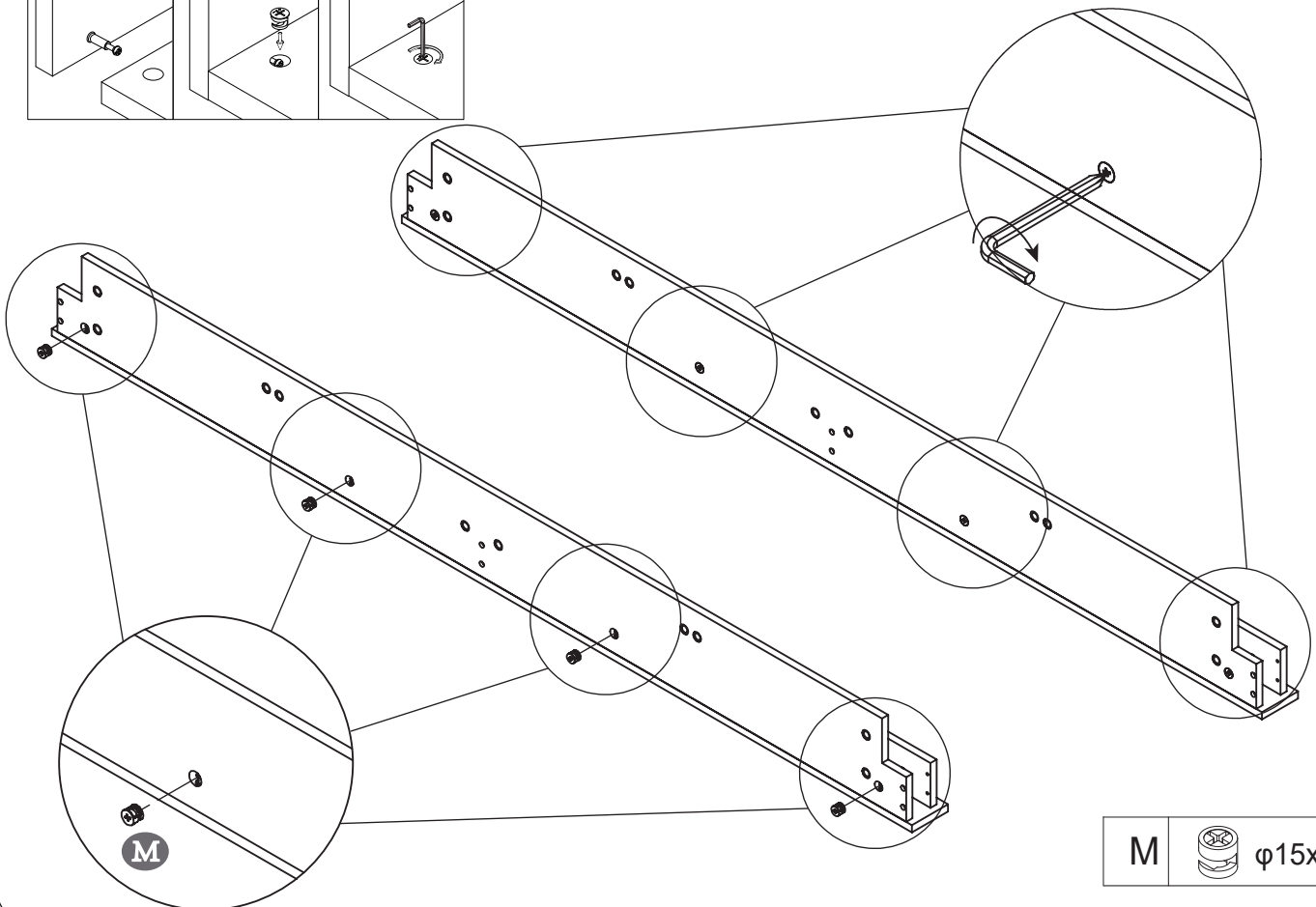
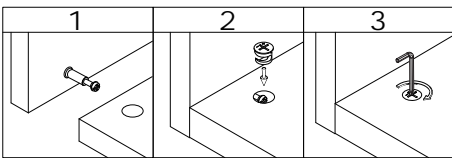



L		φ7x40	4 pcs
J		φ6x40	4 pcs

31



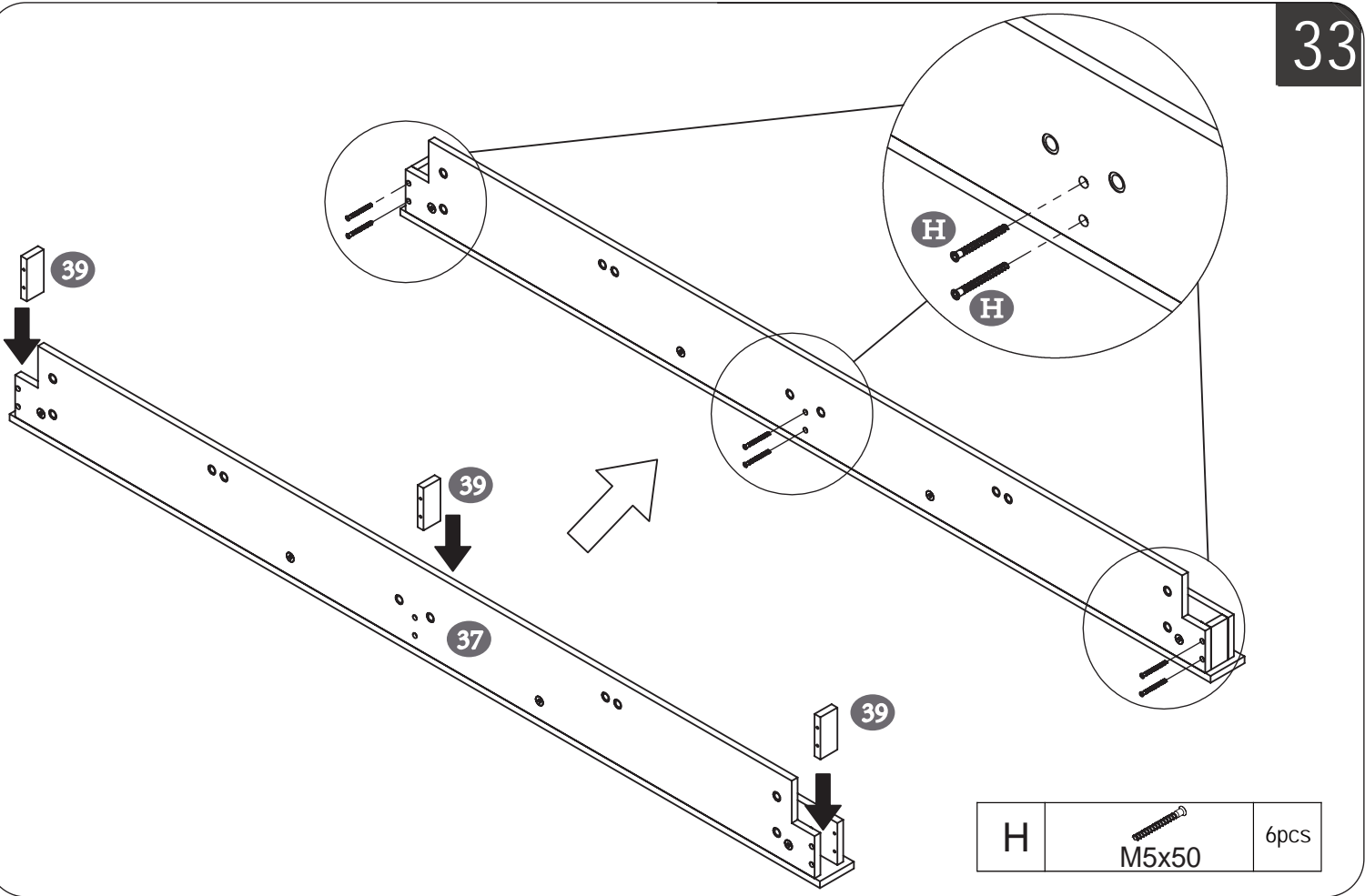
32



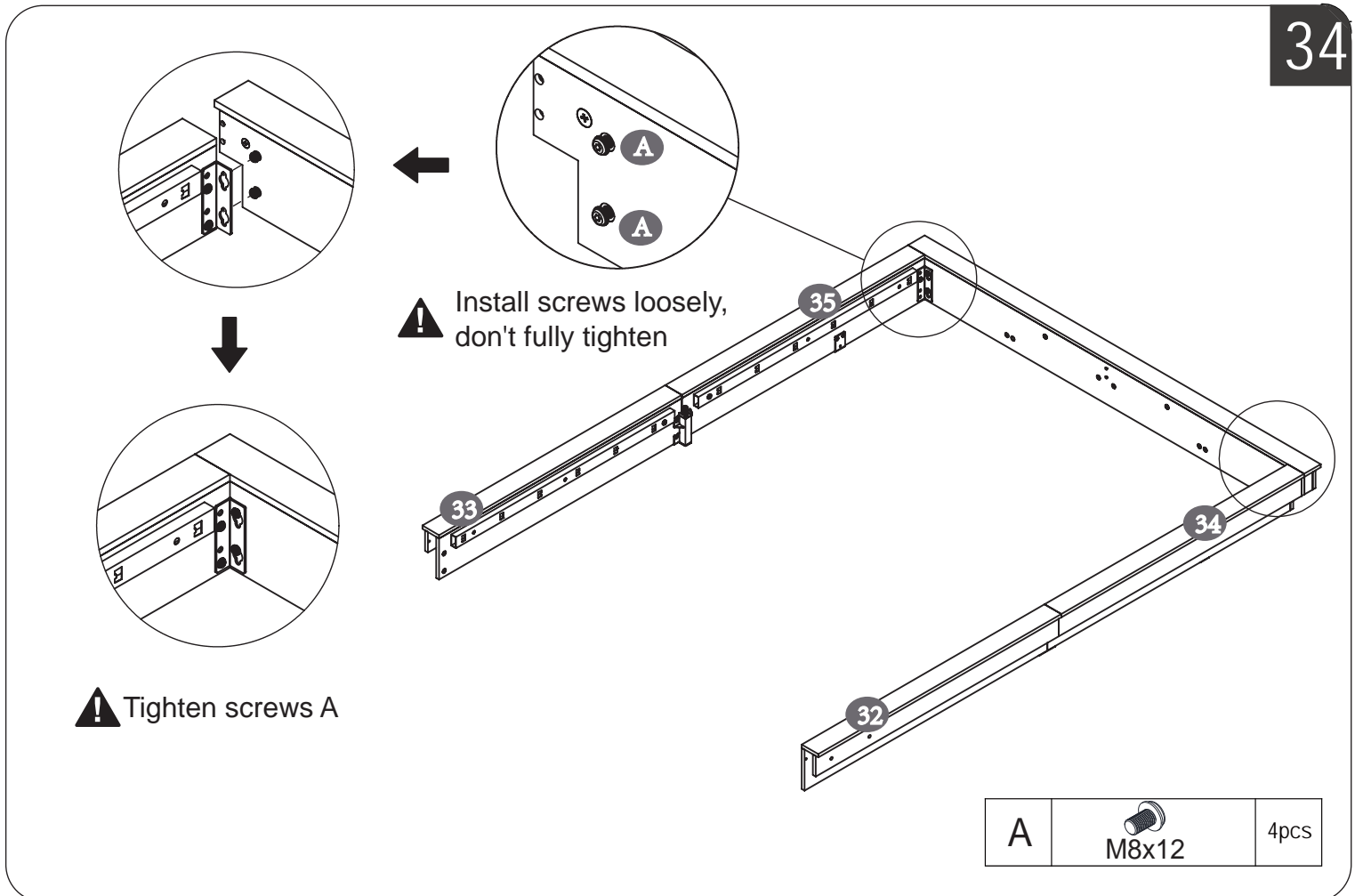
M		φ15x9.5	4 pcs
---	---	---------	-------

ASSEMBLY INSTRUCTIONS

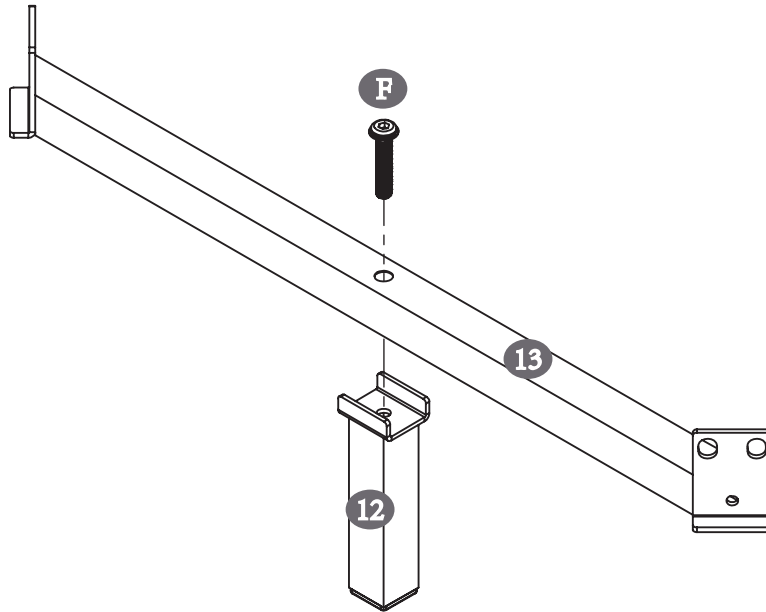
33



34

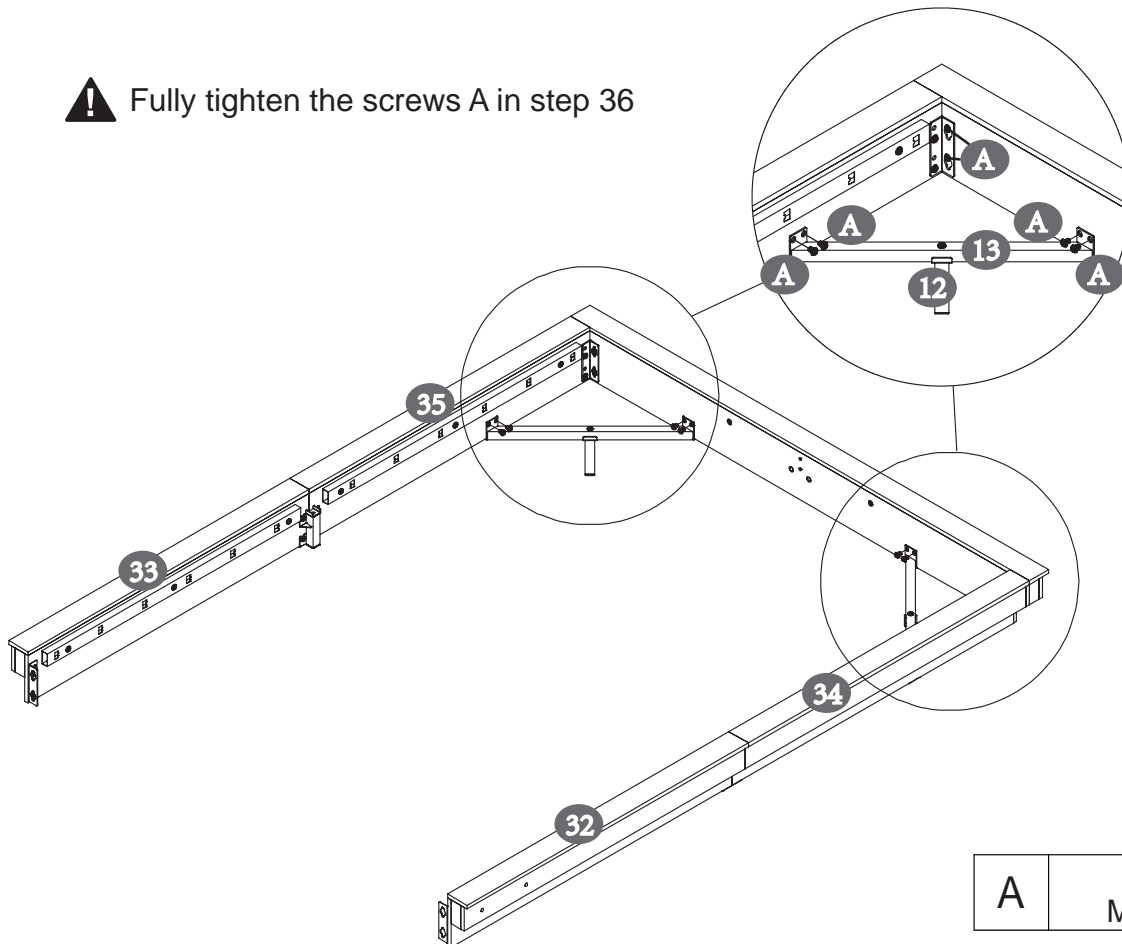


X2



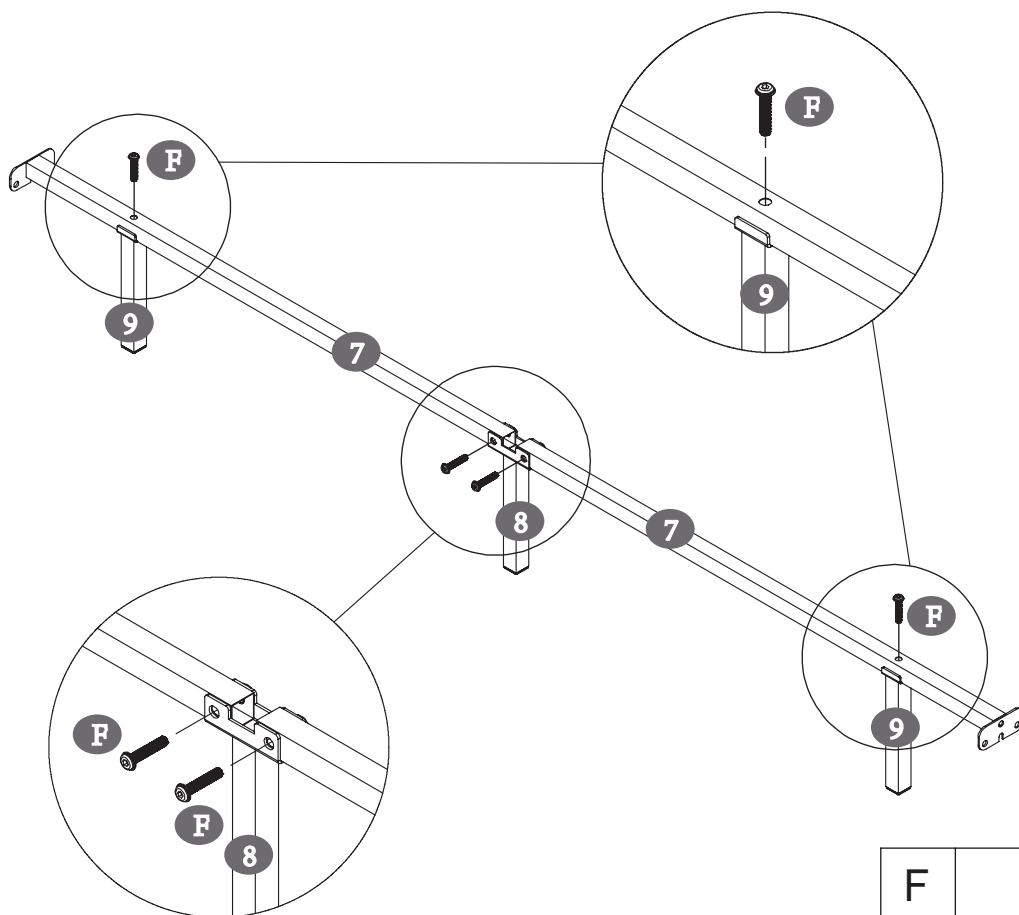
F	 M8x40	2pcs
---	--	------

! Fully tighten the screws A in step 36



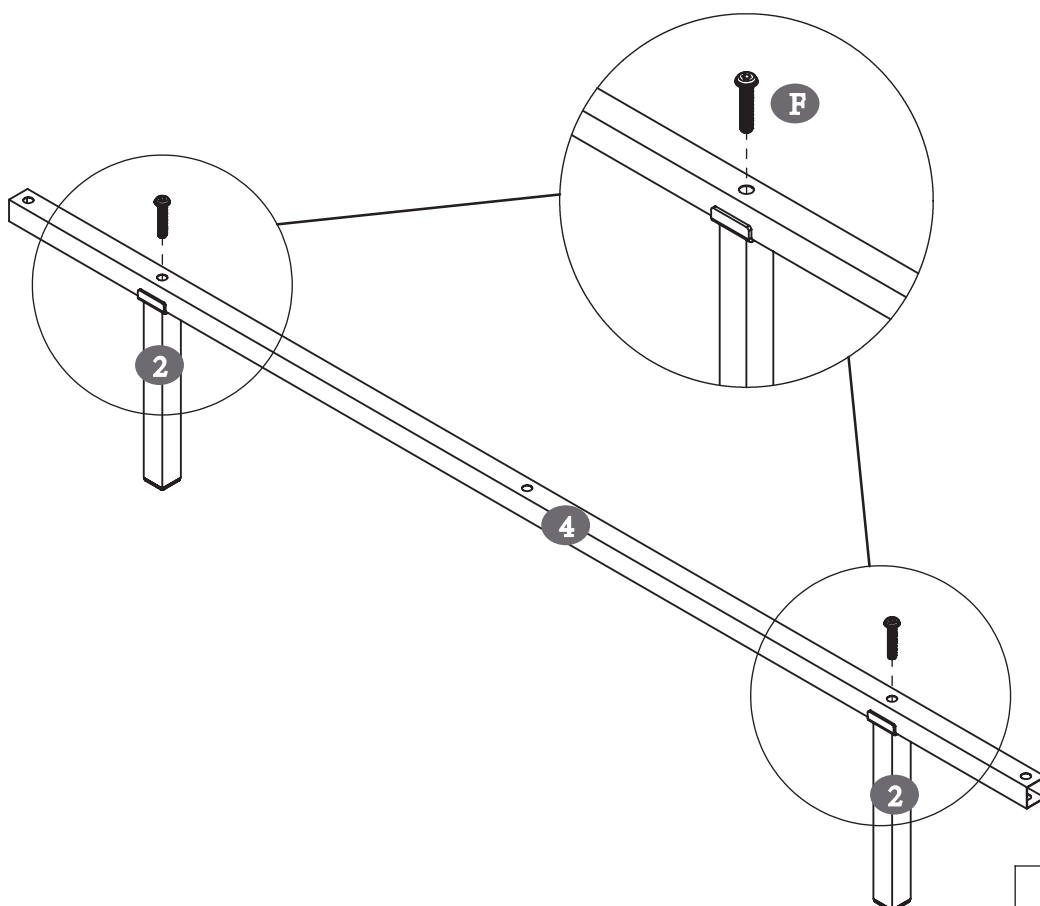
A	 M8x12	8pcs
---	--	------

37



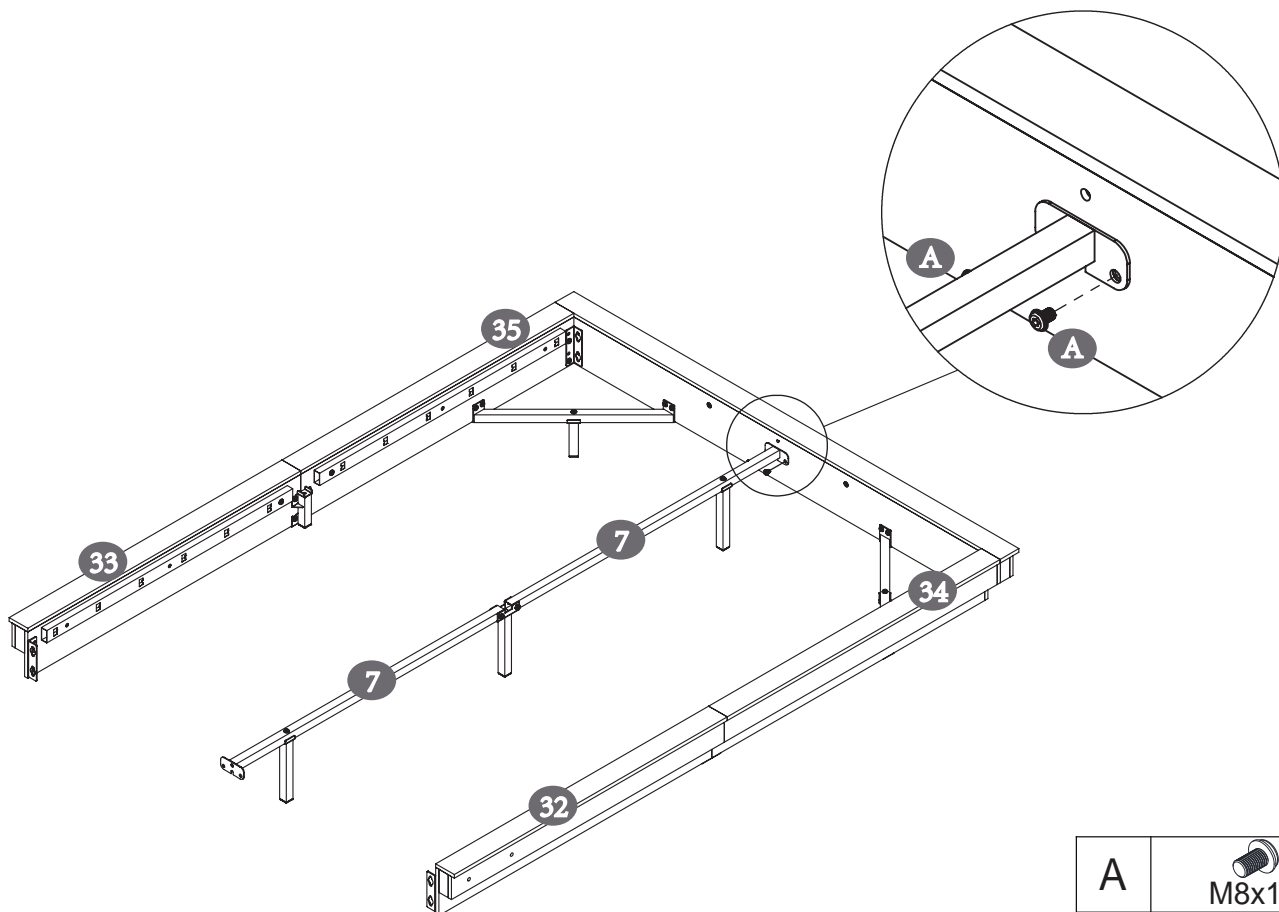
F		4pcs
---	---	------

38



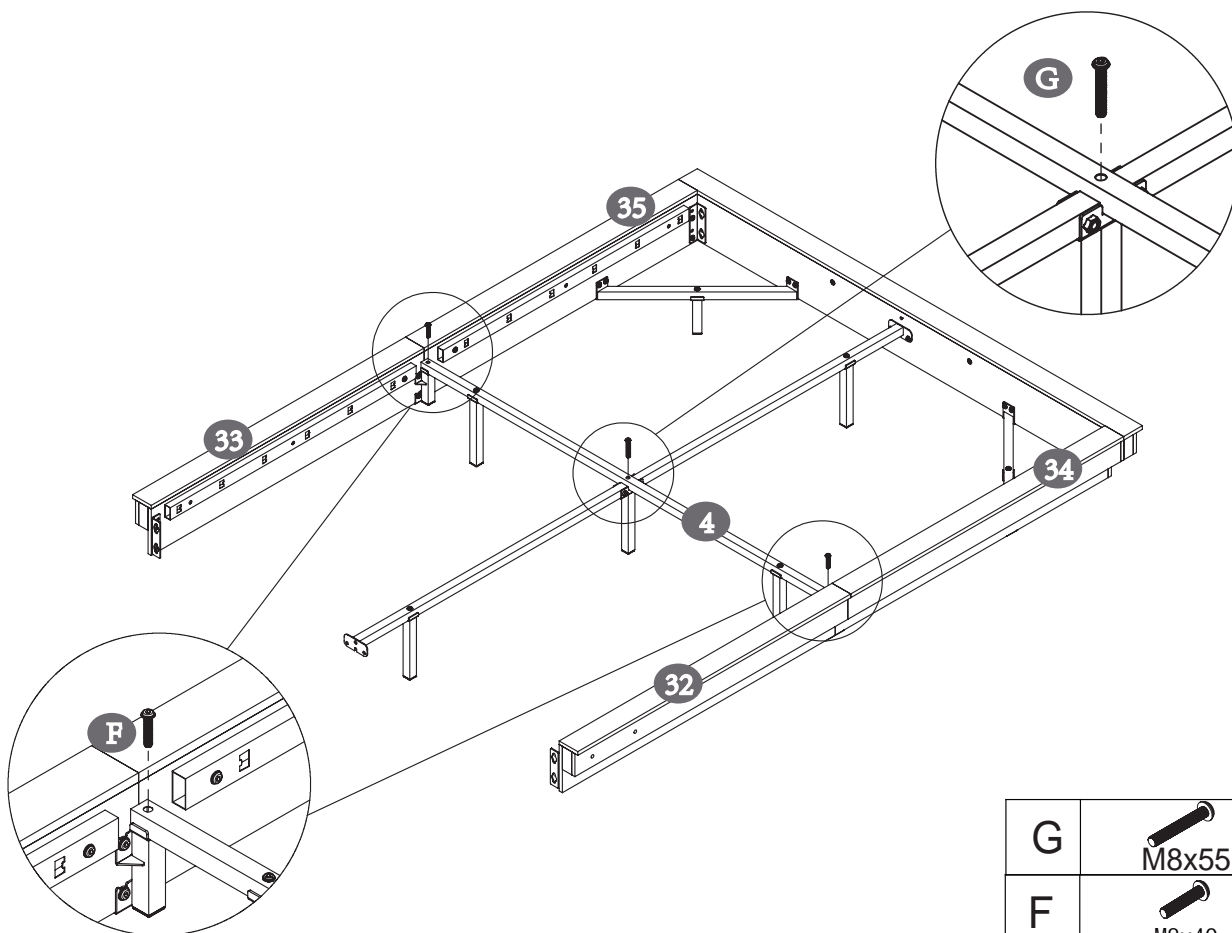
F		2pcs
---	---	------



39



A	 M8x12	2pcs
---	---	------

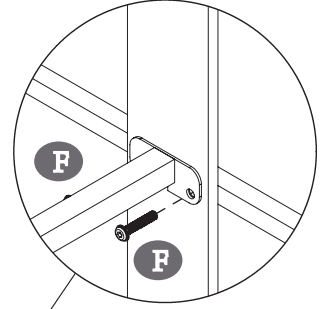
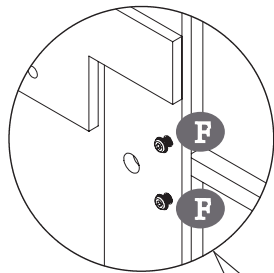
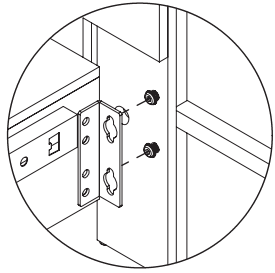
40



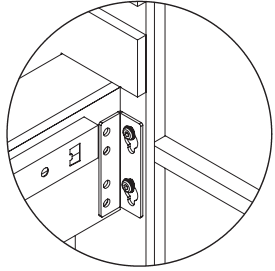
G	 M8x55	1pc
F	 M8x40	2pcs

ASSEMBLY INSTRUCTIONS

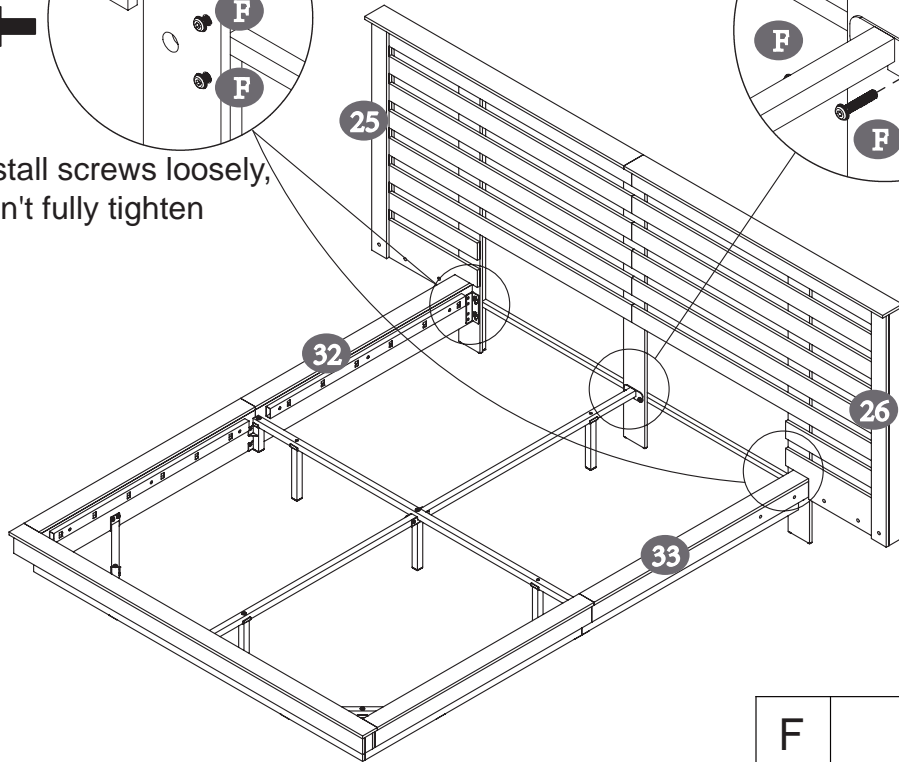
41



⚠ Install screws loosely, don't fully tighten

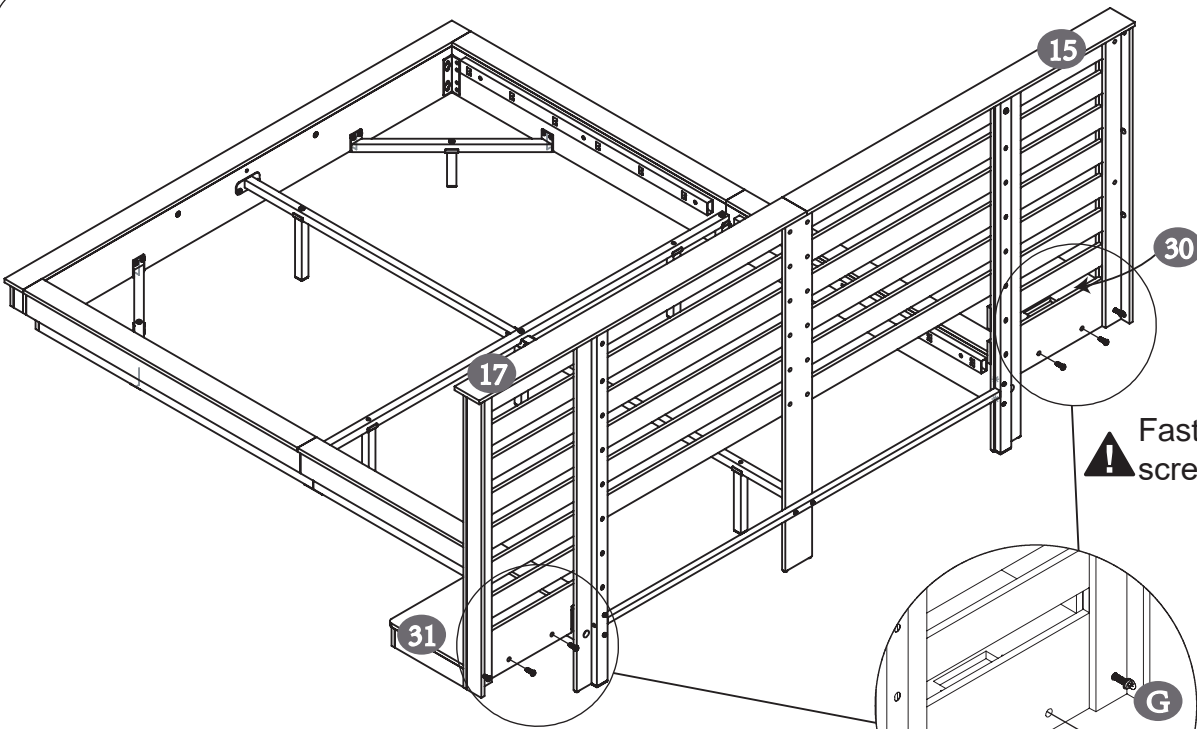


Tighten screws F



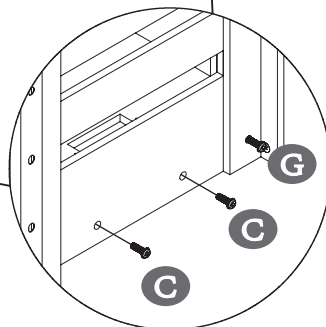
F		6pcs
M8x40		

42

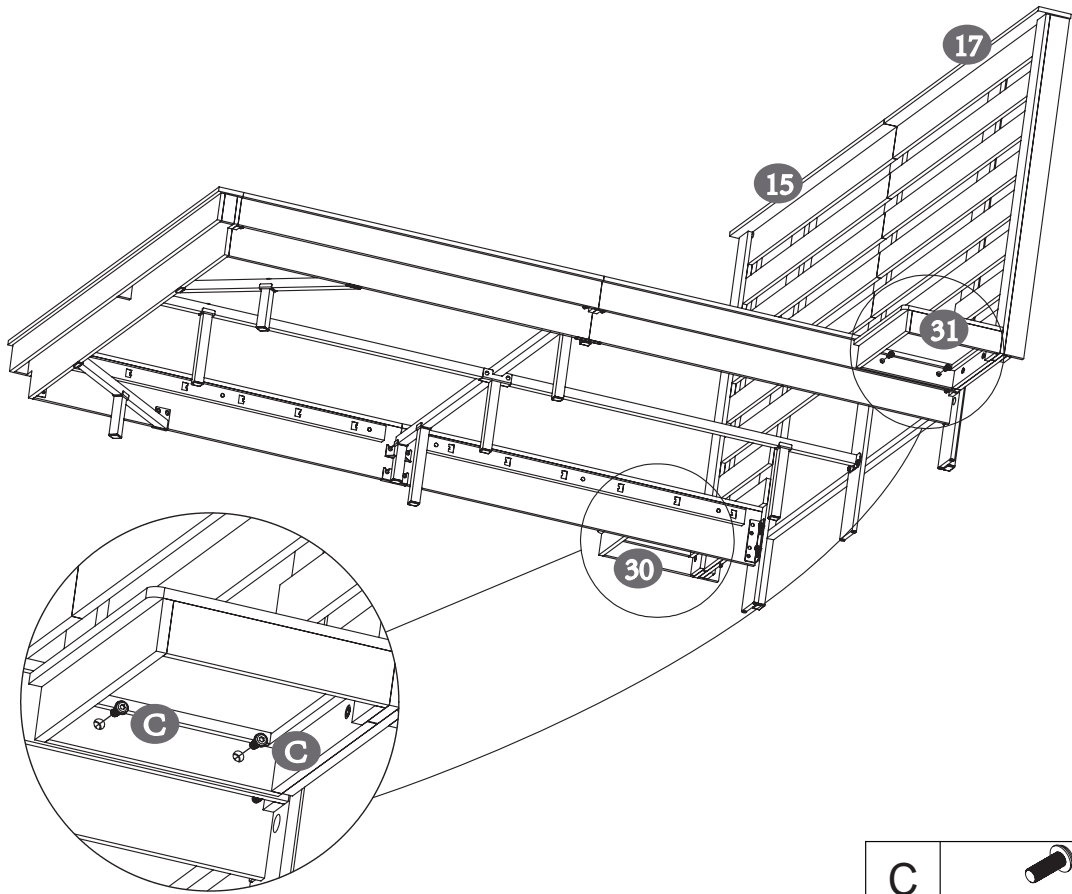


⚠ Fasten the G screw inserted in Step 14.

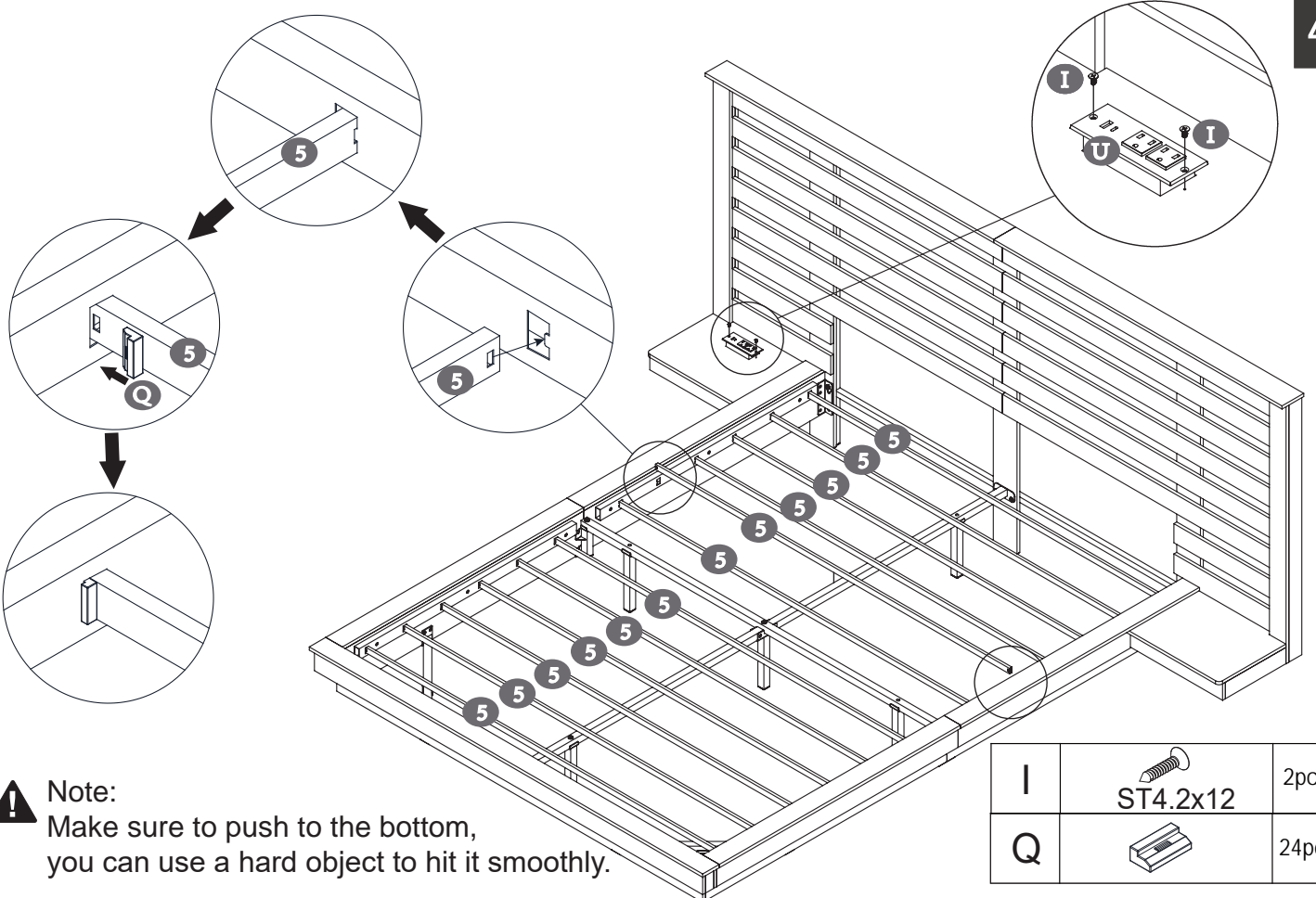
⚠ Fasten the G screw inserted in Step 17.





C		4pcs
M8x25		



C		4pcs
	M8x25	

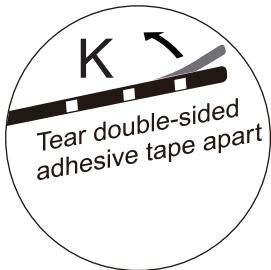
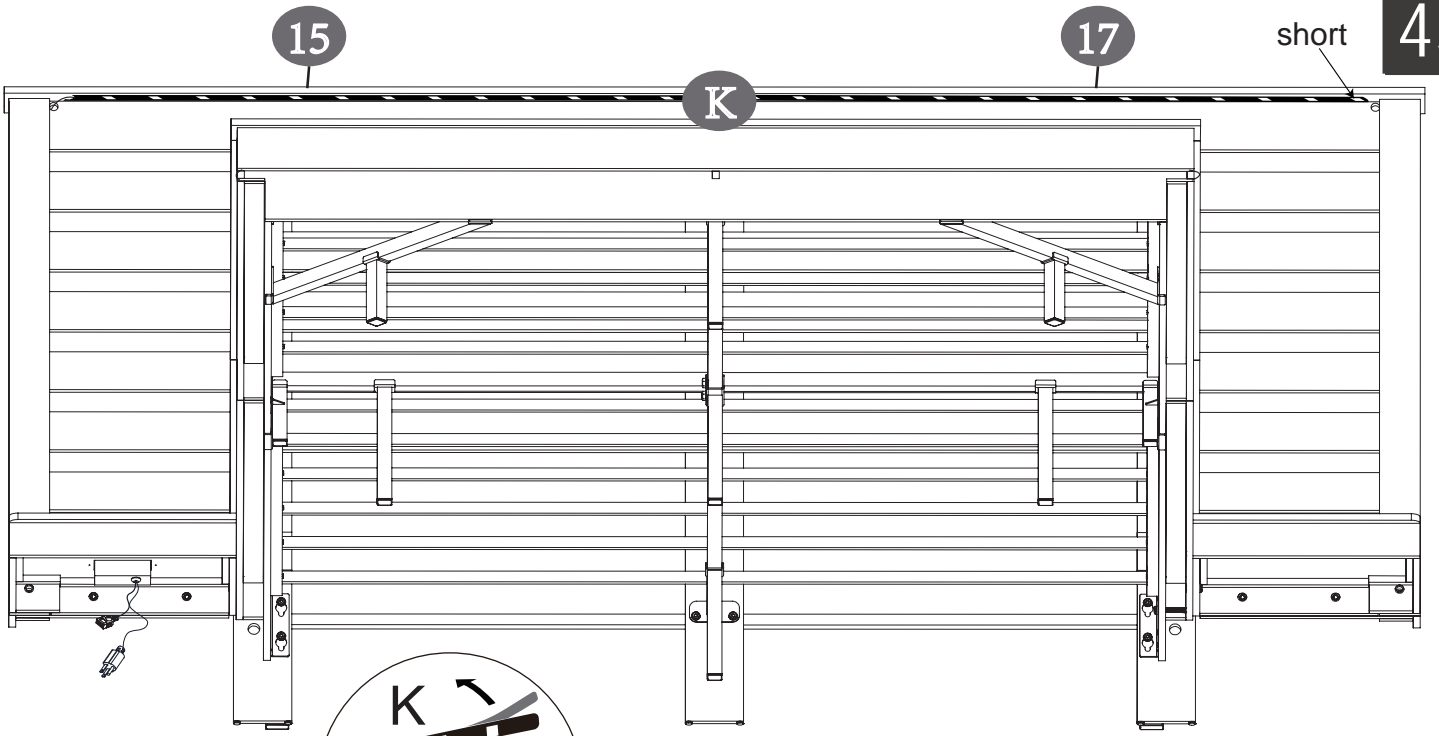


I		2pcs
	ST4.2x12	
Q		24pcs

! Note:
Make sure to push to the bottom,
you can use a hard object to hit it smoothly.

ASSEMBLY INSTRUCTIONS

45

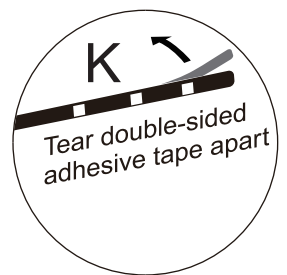
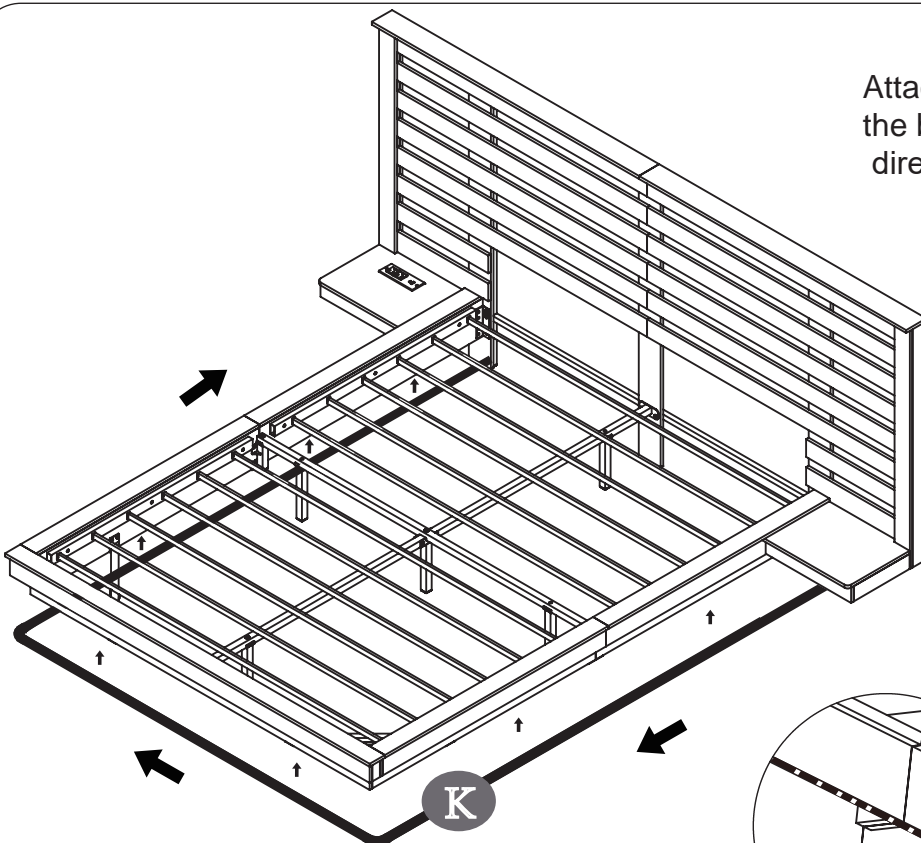


Attach the short LED strip to the bottom of the 15 and 17.

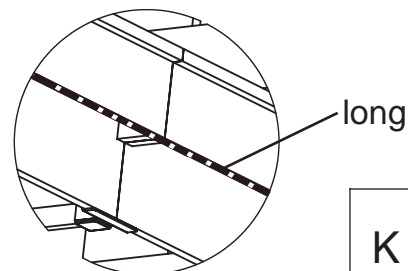
K		short	1pc
---	--	-------	-----

46

Attach the long LED strip to the bottom of the bed in the direction of the arrow.

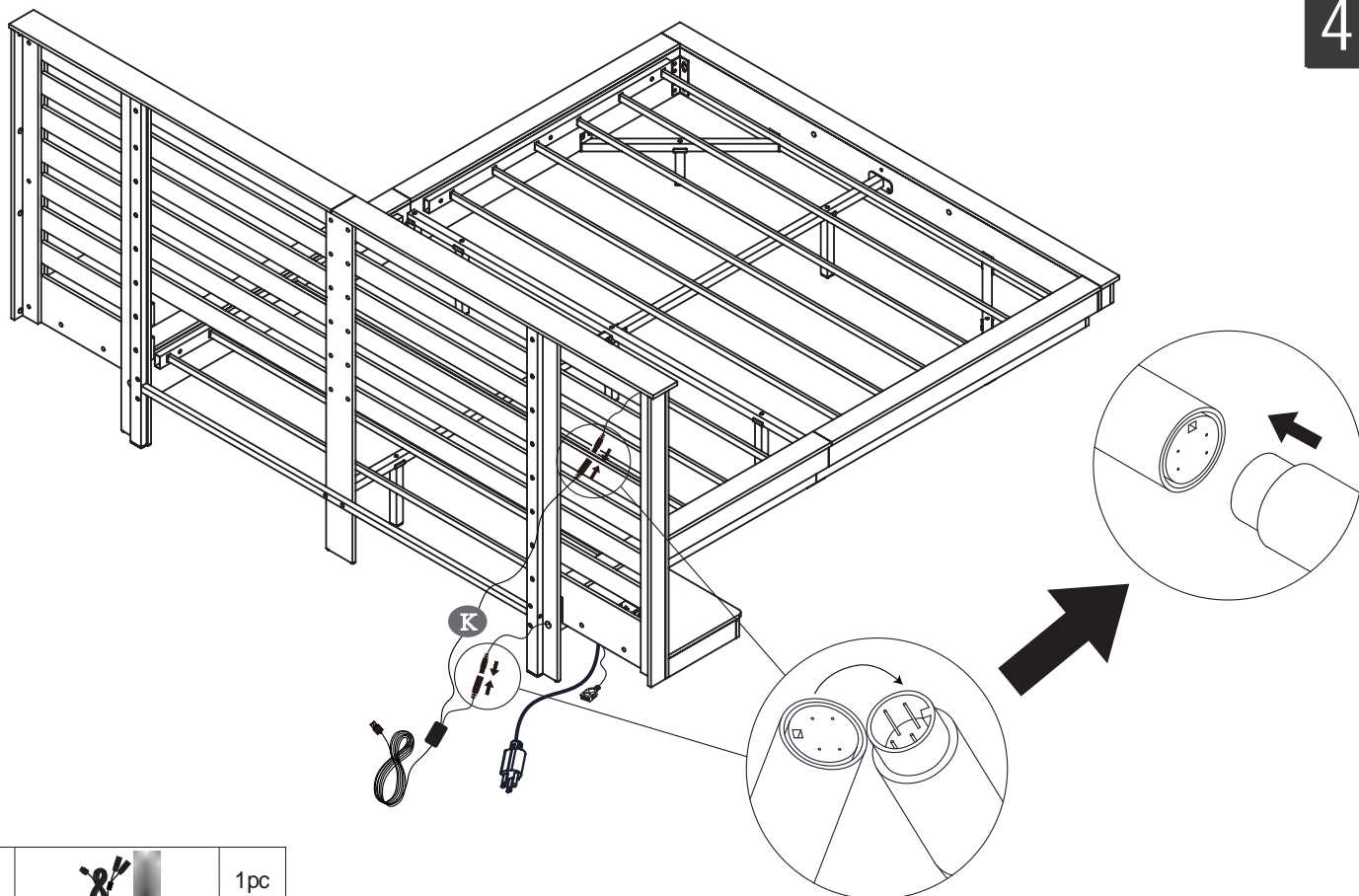


! Note:
The long LED strip is attached to the place as shown on the graph.



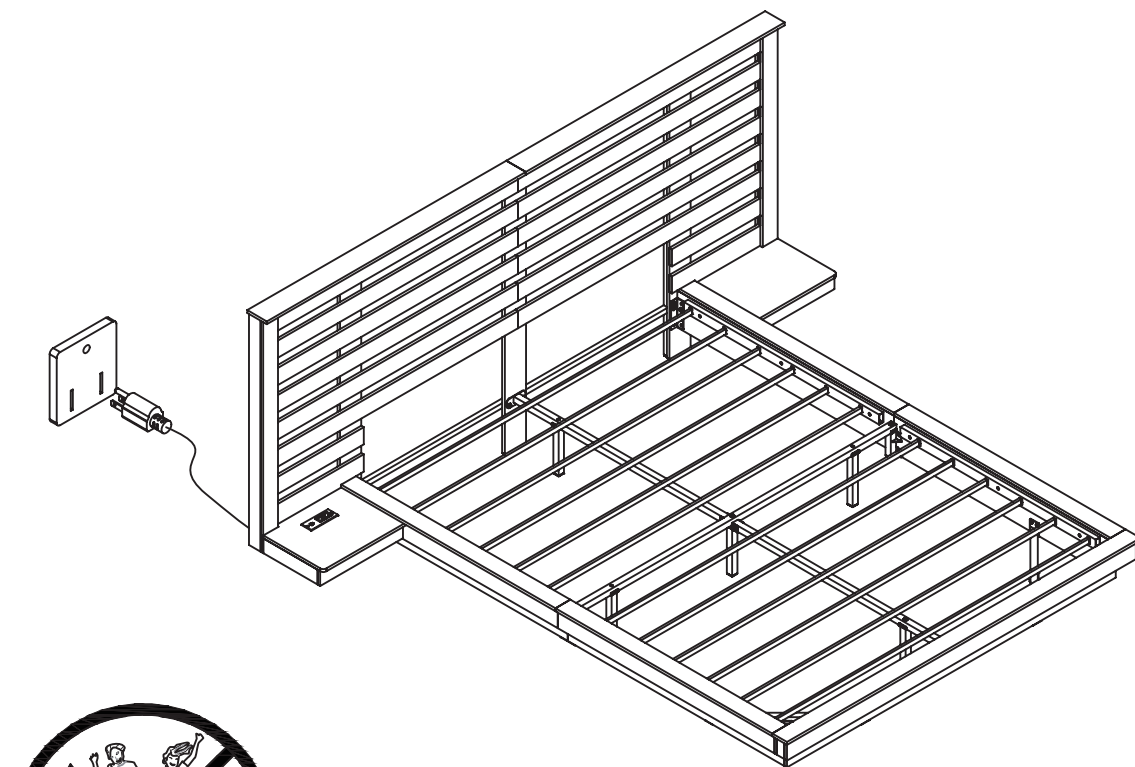
K		long	1pc
---	---	------	-----

47



K 1pc

48



Installation Complete