

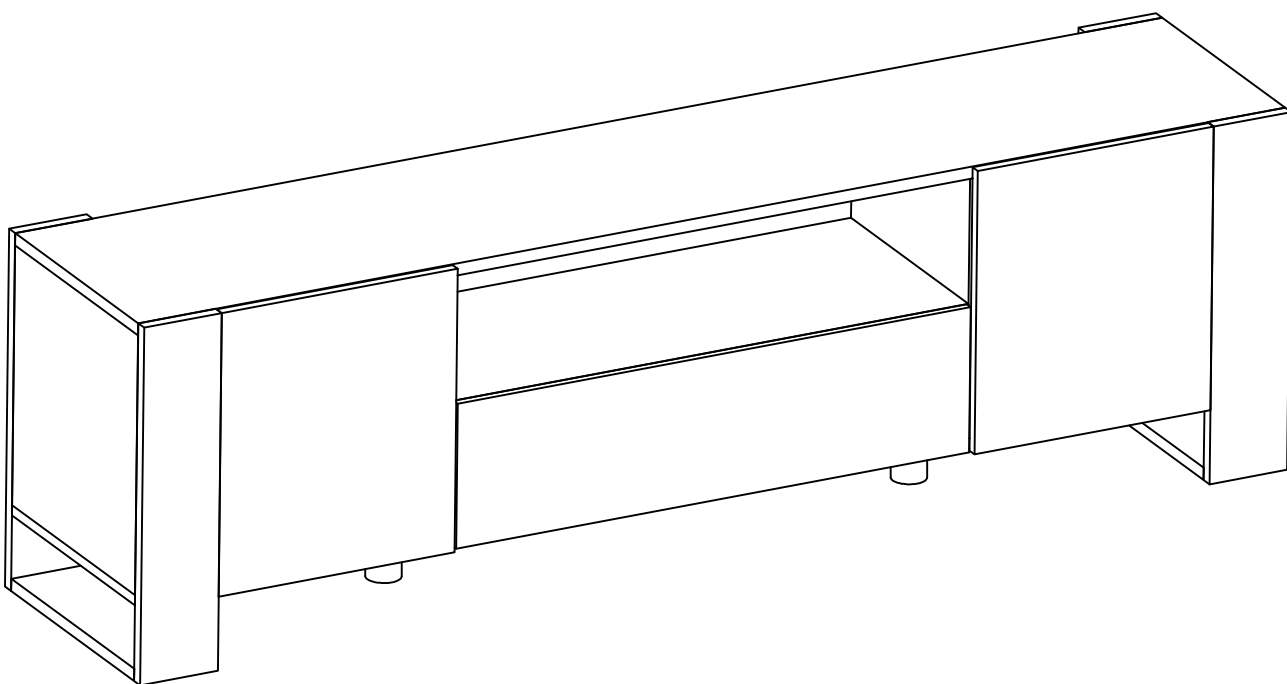
TV Stand

Assembly Instructions - Please keep for future reference

1061010332N

1061010333N

1061010334N



Dimensions

Width - 70.1 inch

Depth - 15.7 inch

Height - 21 inch

Important – Please read these instructions fully before starting assembly



Safety and Care Advice

Important – Please read these instructions fully before starting assembly

- Check you have all the components and tools listed on the following pages.
- Remove all fittings from the plastic bags and separate them into their groups.
- Keep children and animals away from the work area, small parts could choke if swallowed.
- Make sure you have enough space to layout the parts before starting.

- During assembly do not stand or put weight on the product, this could cause damage.
- Assemble the item as close to its final position (in the same room) as possible.
- Assemble on a soft level surface to avoid damaging the unit or your floor.
- Parts of the assembly will be easier with 2 people.



- To reduce the likelihood of damaging your product please ensure that your power drill is set on a low torque setting.

Care and maintenance

- Only clean using a damp cloth and mild detergent, do not use bleach or abrasive cleaners.
- From time to time check that there are no loose screws on this unit.
- This product should not be discarded with household waste. Take to your local authority waste disposal centre.

Handy Hints

- Assemble all parts and bolts loosely during assembly, only once the product is complete should you fully tighten the bolts
- Regularly check and ensure that all bolts and fittings are tightened properly.

WARNING

In order to help prevent overturning – please follow these instructions

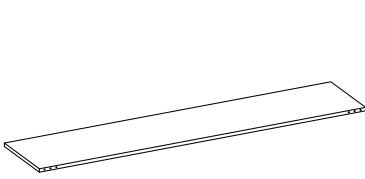
To help prevent product toppling over please follow the below steps:-

Use the anti tip strap or wall fixing method provided (if applicable)
Do not allow children to climb or hang on the furniture
Do not open more than one drawer at a time
Do not place heavy items in the top drawers
Do not place heavy items on top of the furniture, unless the furniture has been designed for this purpose

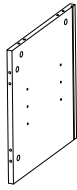
Please note that only the anti tip strap is provided.
You will need to provide wall plugs and screws applicable for your wall type

Components - Panels

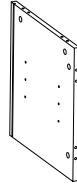
Please check you have all the panels listed below



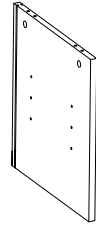
1 (177.5X36.4X1.8) X1



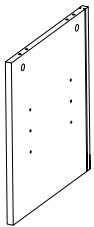
2 (36.4X38.5X1.5) X1



3 (36.4X38.5X1.5) X1



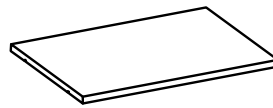
4 (36.4X38.5X1.5) X1



5 (36.4X38.5X1.5) X1



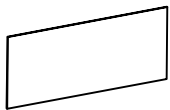
6 (80X36.4X1.5) X1



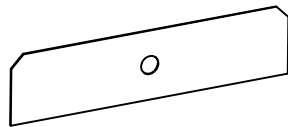
7 (45X34X1.5) X2



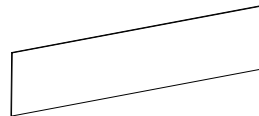
8 (177.5X36.4X1.5) X1



9 (46.5X19.7X0.3) X4



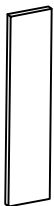
10 (80.7X19.4X0.3) X1



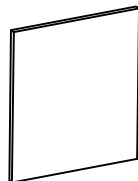
11 (80.7X19.4X0.3) X1



12 (53X12X1.8) X1



13 (53X12X1.8) X1



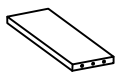
14 (36.5X42X1.2) X2



15 (53X12X1.8) X1



16 (53X12X1.8) X1



17 (36.4X12X1.8) X2



18 (1.1X42X0.5) X2



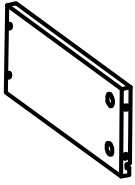
19 (10X3.5) X2



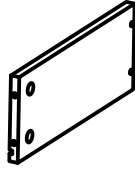
20 (79.4X21.5X1.5) X1

Components - Panels

Please check you have all the panels listed below



21 (30X11.4X1.2) X1



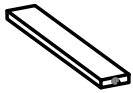
22 (30X11.4X1.2) X1



23 (75.4X11.4X1.2) X1



24 (76.2X29.5X0.3) X1





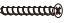

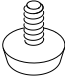
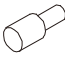


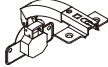






25 (28.7X3.8X1.2) X1

Components - Fittings

Please check you have all the fittings listed below

Note: The quantities below are the correct amount to complete the assembly. In some cases more fittings may be supplied than are required.

A  7*39mm Cam Bolt x 27	B  Camlock x 27	C  8*30mm Wooden Dowel x 52
D  3.5*14mm Screw x 16	E  5*40mm Screw x 23	F  Strip light x 1
G  Adjustable Feet x 2	H  Shelf Support Pin x 8	I  Plastic buckle x 7
J  Back Panel Stiffener x 24	K  Hinge x 4	L  3.5*10mm Screw x 15
M  Slide rail x 2	N  Slide rail x 2	O  Wall Fixing Pack x 2

Tools required

 Phillips screwdriver
(medium & large)

Ruler - Use this ruler to help correctly identify the screws

0 5 10 15 20 25 30 35 40 45 50 55 60 65 70 75 80 85 90 95 100 105 110 115 120 125 130 135 140 145 150 155 160 165 170

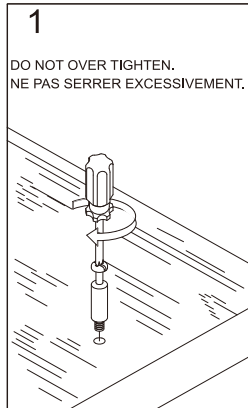


The screws length is measured from the head to the point (30mm screw shown).

Using Camlocks

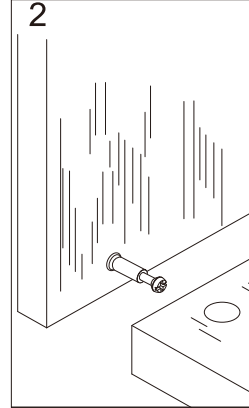
Step 1

Connect the male camlock as directed in the assembly instructions using a screwdriver.



Step 2

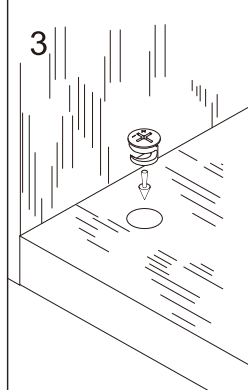
Push the male camlock into the entry hole.



Step 3

Insert the female camlock as shown in the instructions.

Note: ensure that the arrow on the top of the camlock points towards the entry hole for the male camlock.

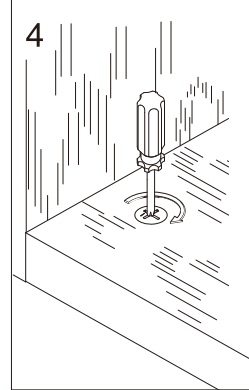


Step 4

Turn the female camlock clockwise with a screwdriver.

You should feel a click when the camlock is locked in place.

The joint is now secure.



Adjusting Hinges

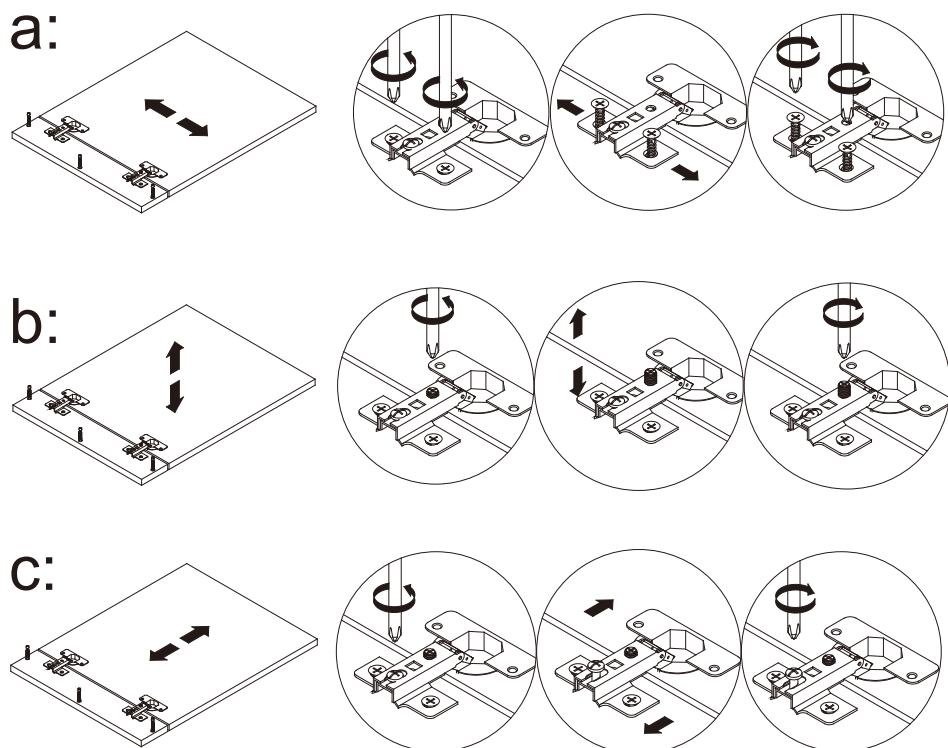
Hinge adjustment:

a: To move the top panel up or down, loosen screws shown and move top panel to suit

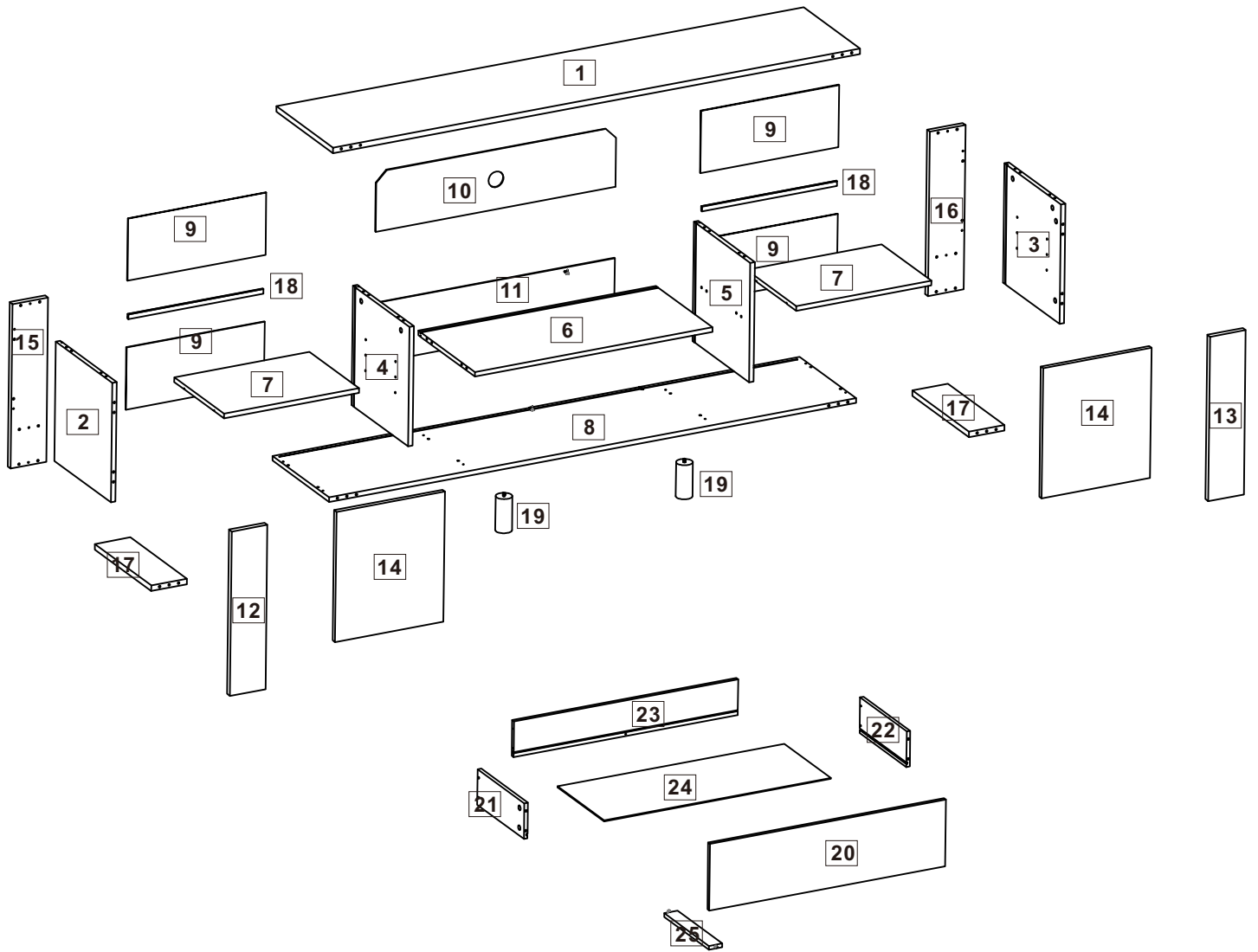
b. To move the top panel in or out, loosen screws shown and move top panel to suit.

Retighten screws

C: To move the top panel left or right, adjust screws shown.

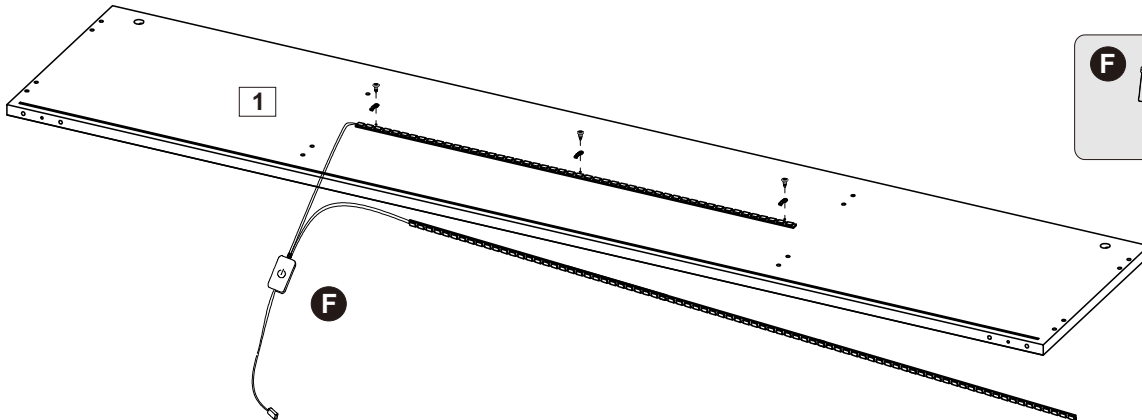
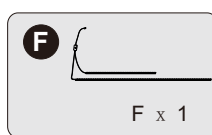
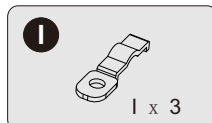
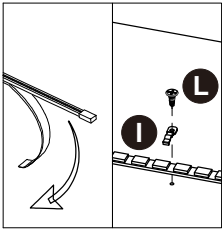


Assembly Instructions



Assembly Instructions

Step 1

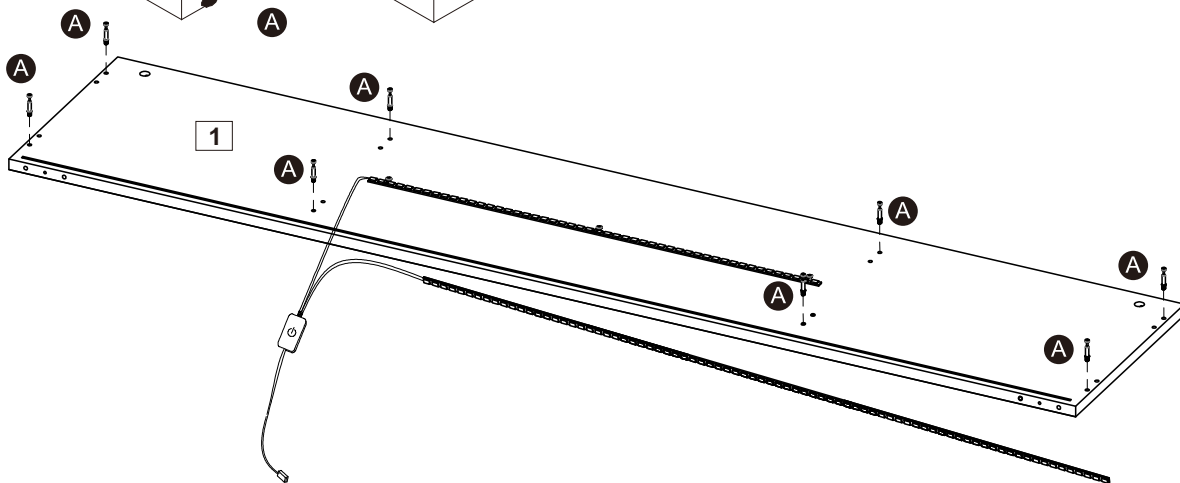
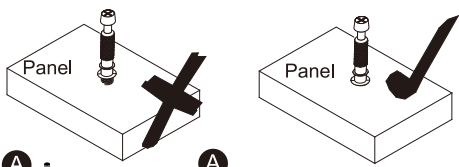
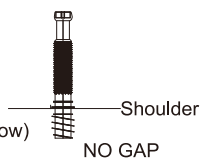


Fixing the lamp strip (F) to the panel (1) with the components (I, L).

Step 2

CAM-LOCK

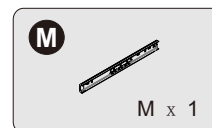
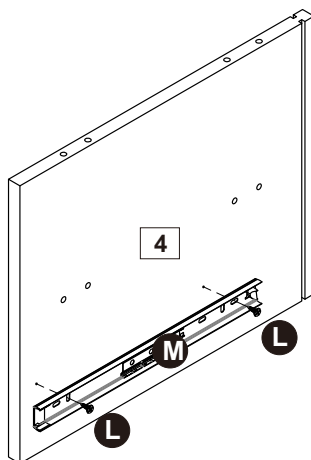
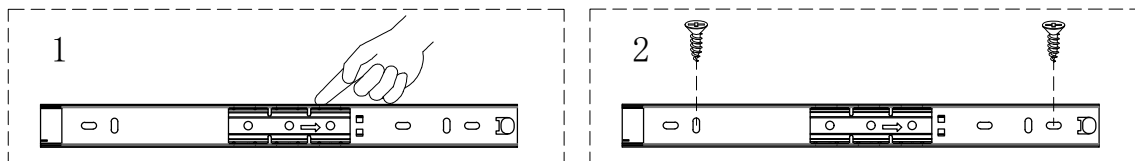
Tighten until shoulder is flush with panel. Do not overtighten or undertighten (see example below)



Secure the cam pin (A) to the part (1) with a screwdriver.

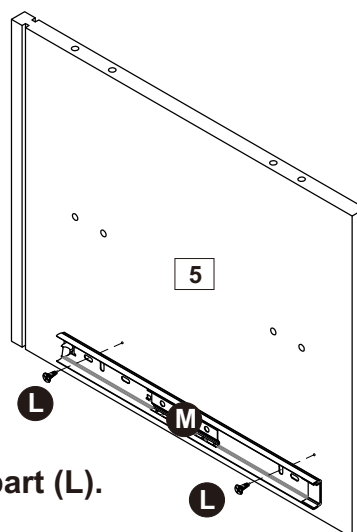
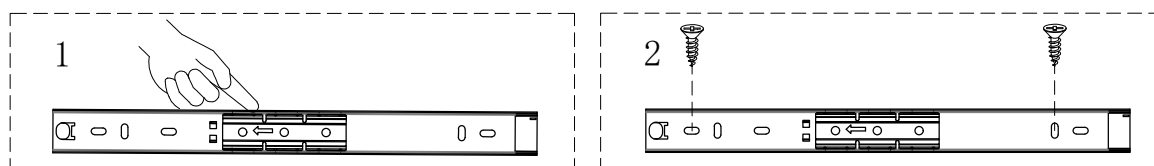
Assembly Instructions

Step 3



Secure rail (M) to part (4) with part (L).

Step 4



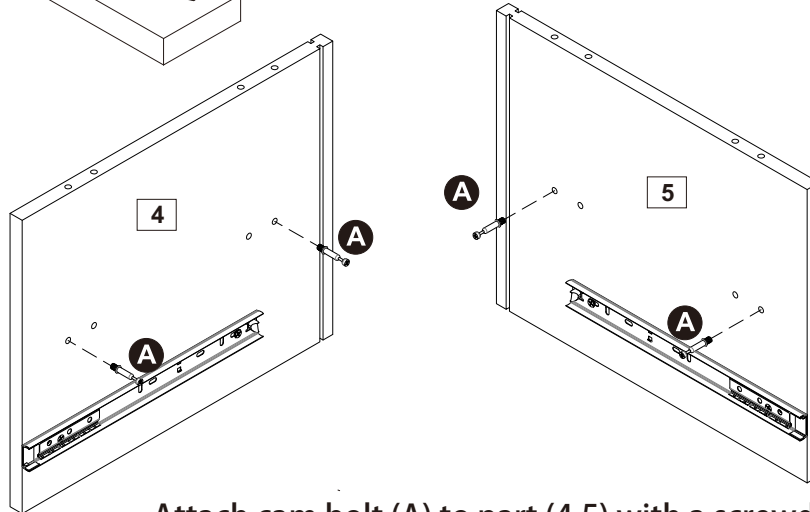
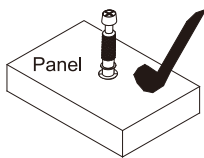
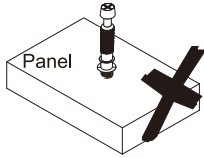
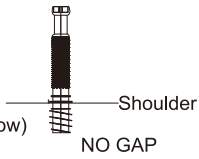
Secure rail (M) to part (5) with part (L).

Assembly Instructions

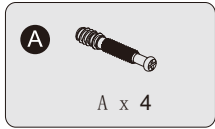
Step 5

CAM-LOCK

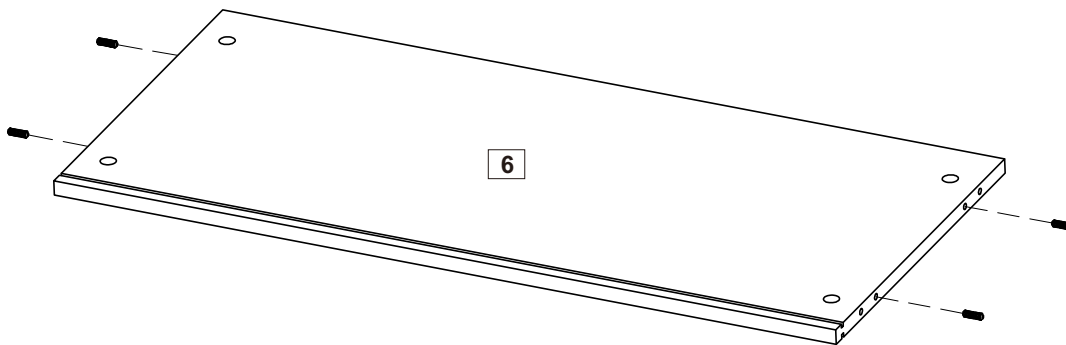
Tighten until shoulder is flush with panel. Do not overtighten or undertighten (see example below)



Attach cam bolt (A) to part (4,5) with a screwdriver.



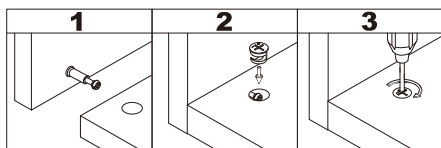
Step 6



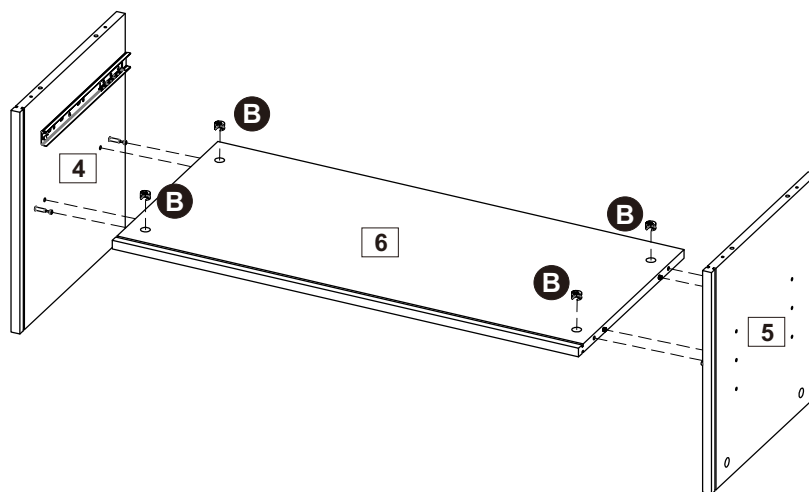
Insert wooden dowel (C) into part (6)

Assembly Instructions

Step 7

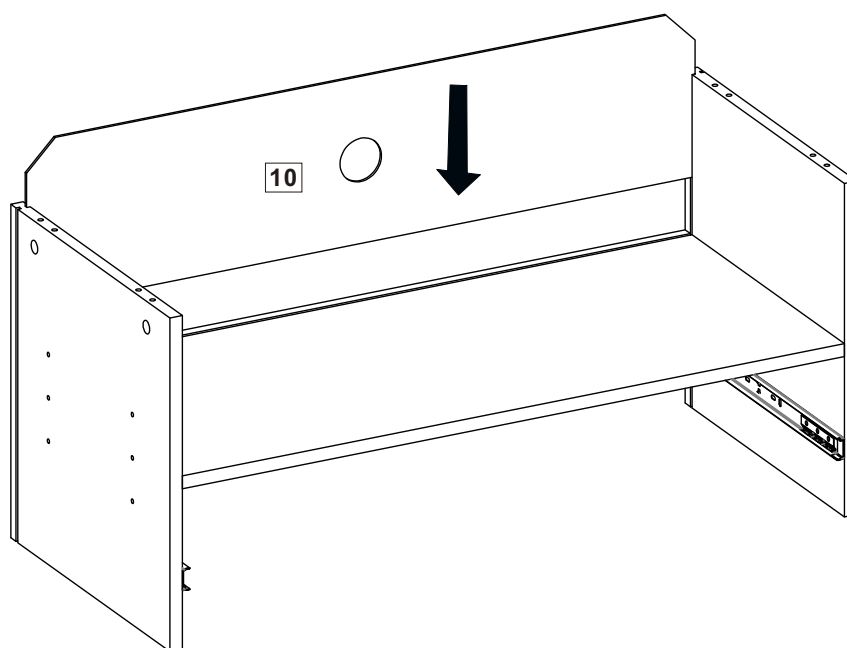


B x 4



Connect the panel (6) to the bulkhead (4, 5) and insert and lock the cam lock (B).

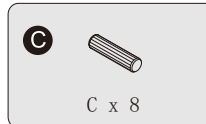
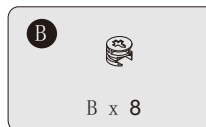
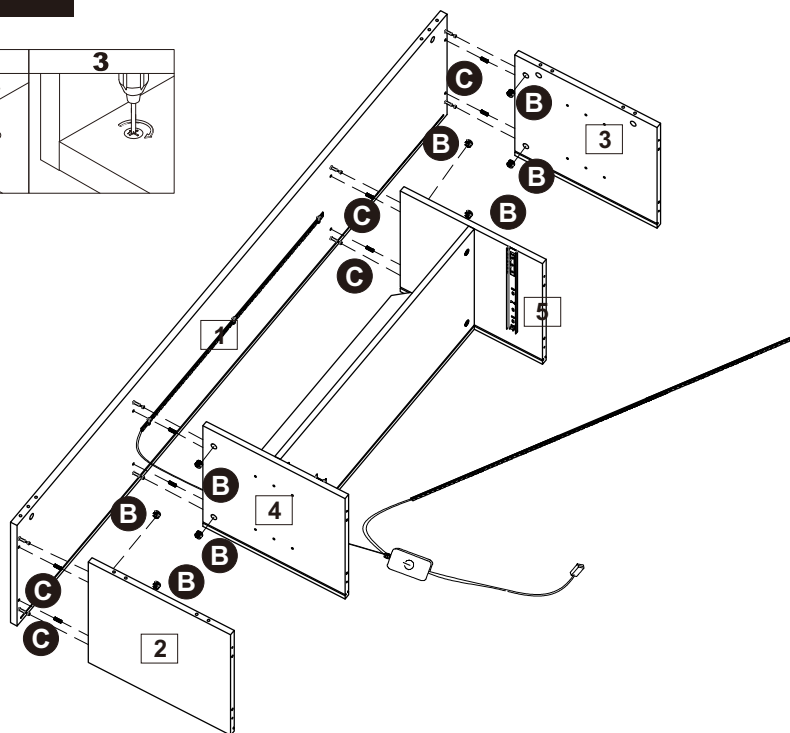
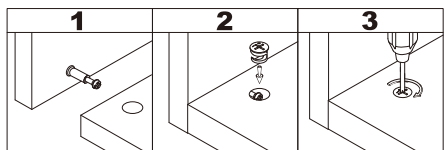
Step 8



Slide the back plate (10) into the groove as shown..

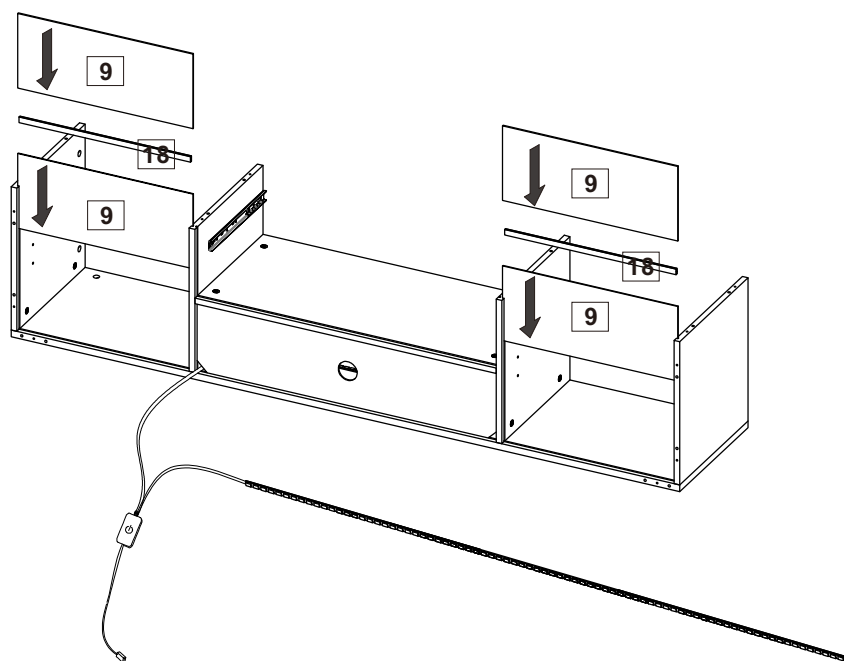
Assembly Instructions

Step 9



Insert wooden pin (C) into parts (2, 3, 4, 5). Connect parts (2, 3, 4, 5) to part (1), . then insert cam lock (B) into (2, 3, 4, 5) and lock it..

Step 10



Slide the back plate (9, 18) into the groove as shown..

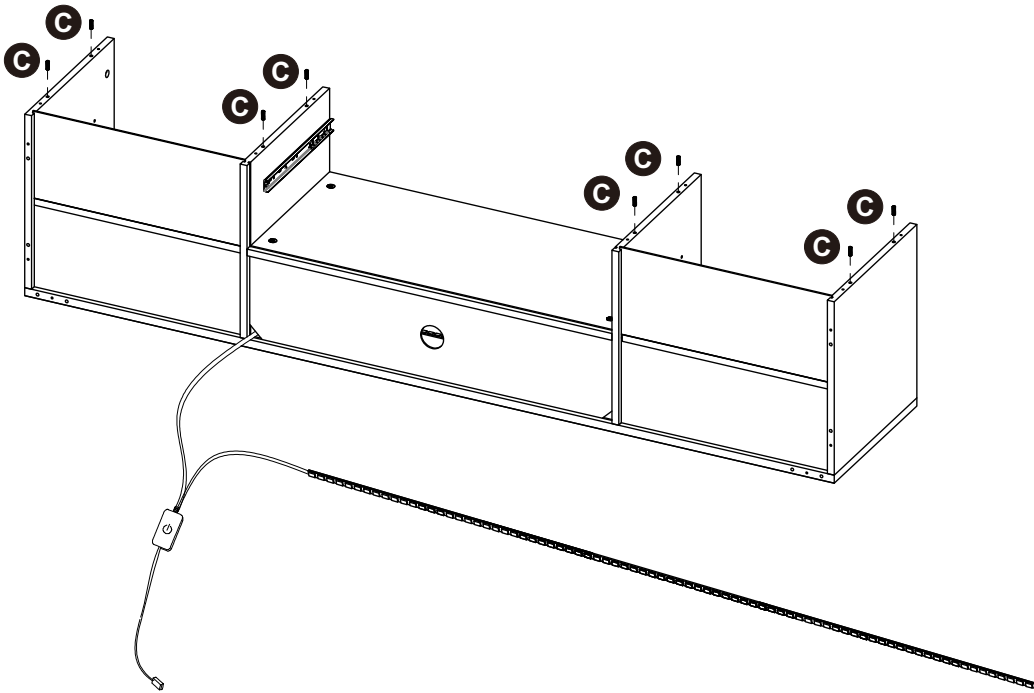
Assembly Instructions

Step 11

C

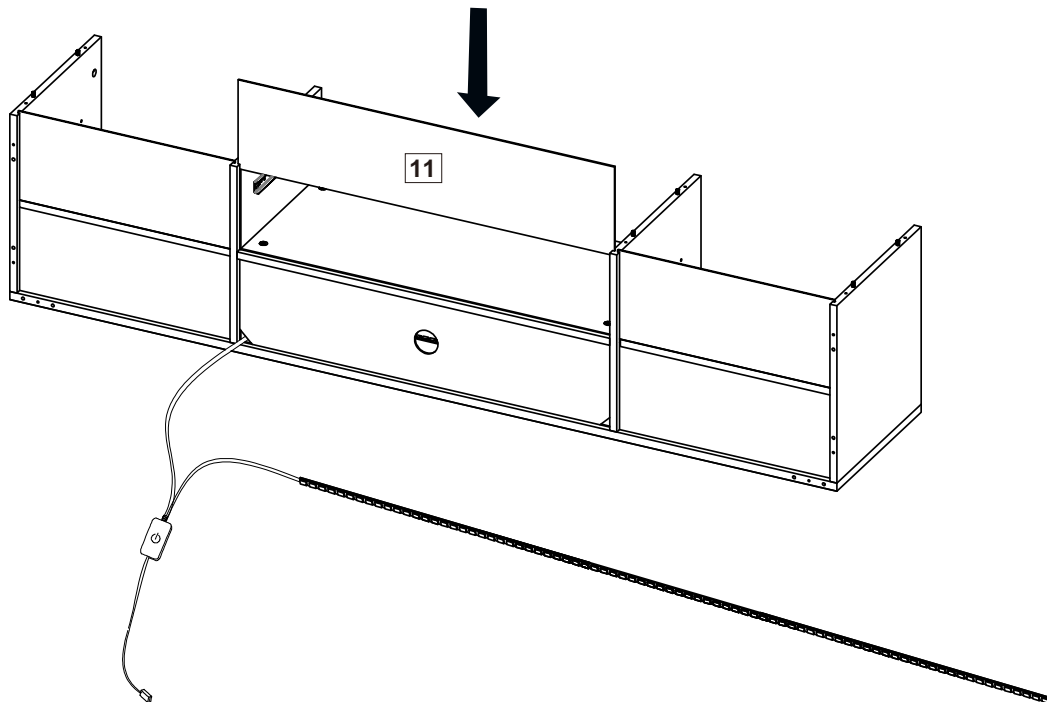


C X 8



Insert wooden pin (C) into (2, 3, 4, 5).

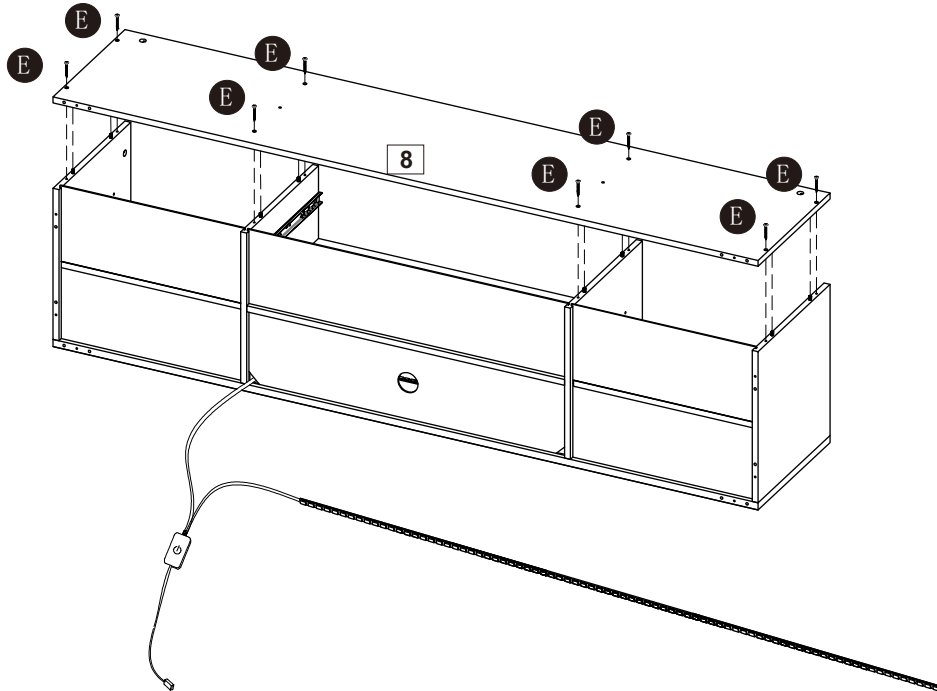
Step 12



Slide the back plate (11) into the groove as shown..

Assembly Instructions

Step 13

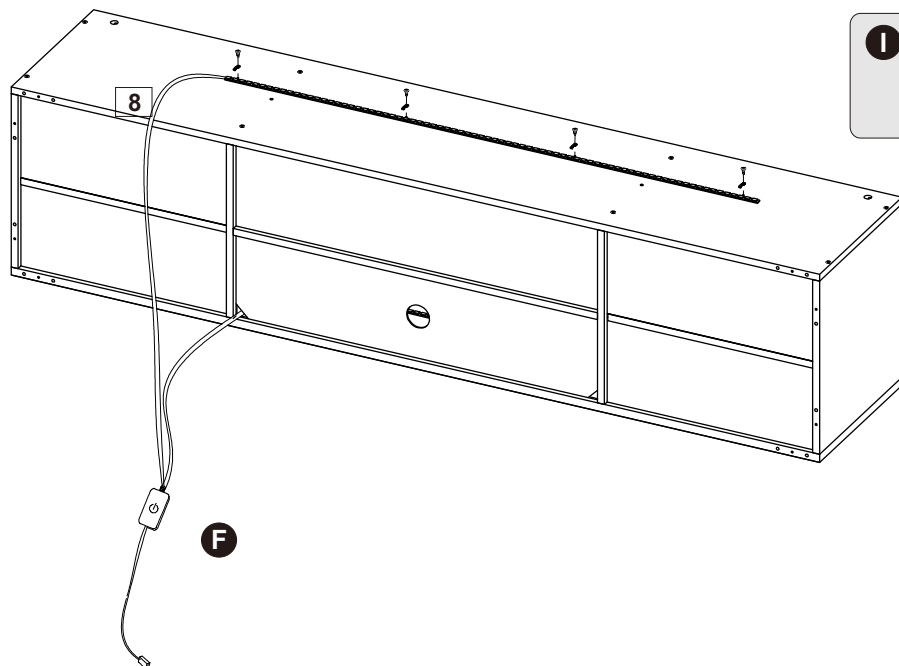
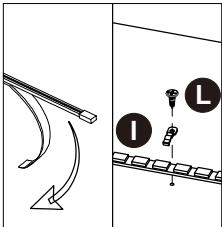



E 

E x 8

Secure plate (8) with screwdriver screw (E)..

Step 14



L 

L x 4

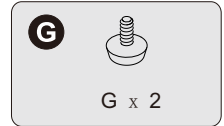
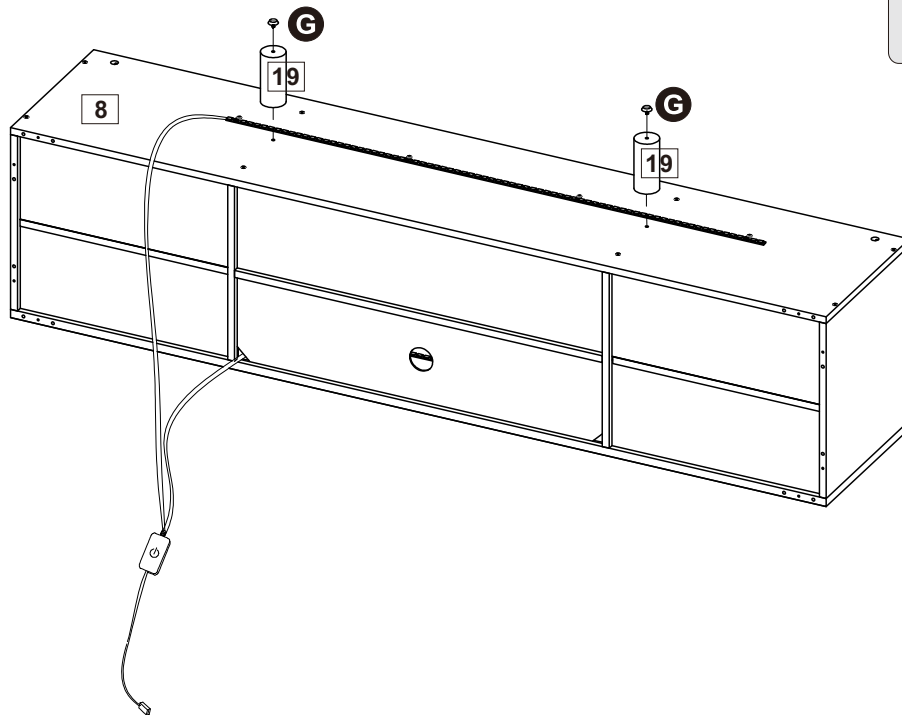
I 

I x 4

The lamp strip (F) is fixed to the part (8) with the parts (I,L).

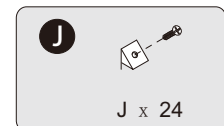
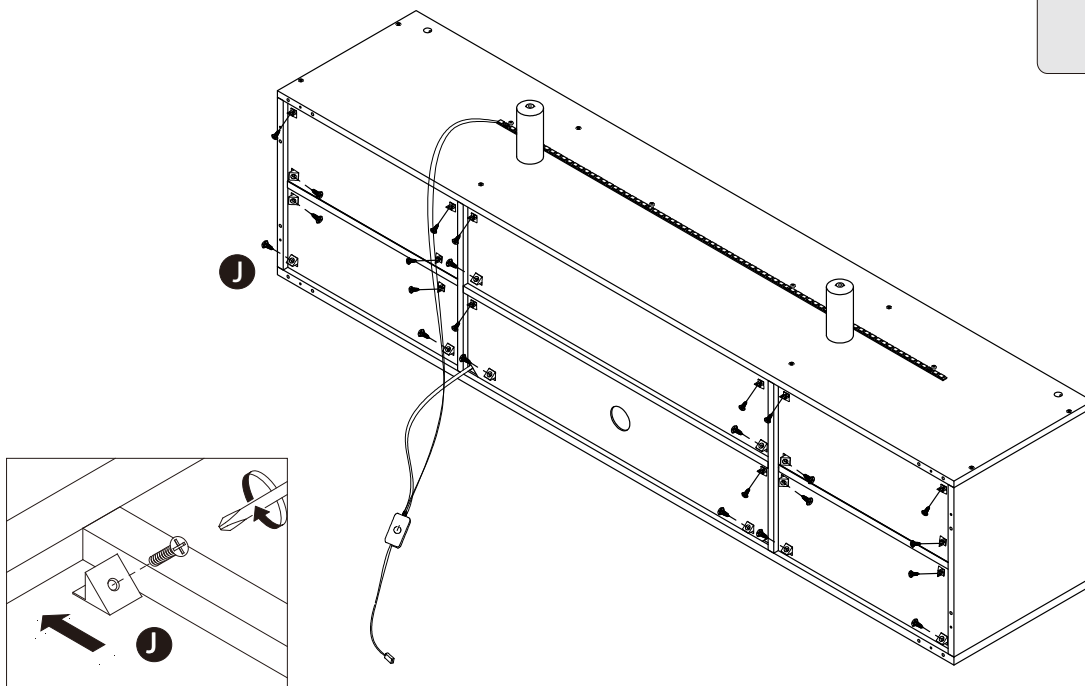
Assembly Instructions

Step 15



Secure the midfoot (19) to the base plate (8) and the adjusting foot pad (G) to the midfoot (19)..

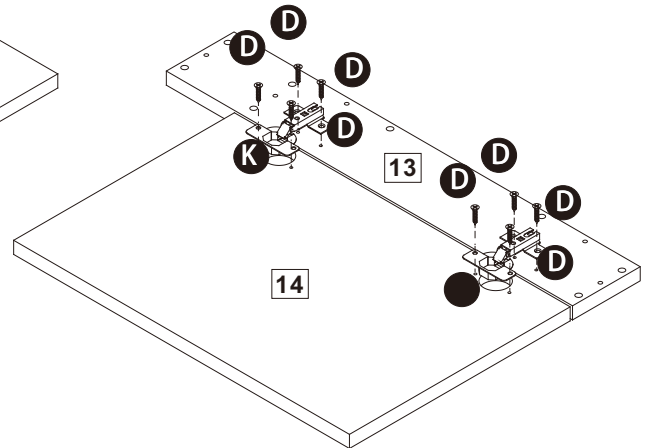
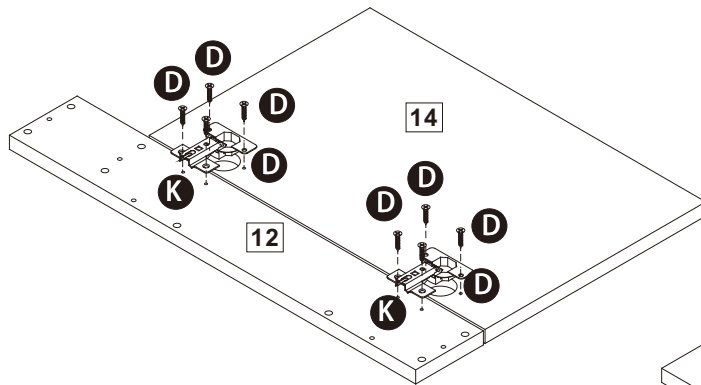
Step 16



Attach plastic wedge (J) to back panels using screws with a screwdriver.

Assembly Instructions

Step 17



D 
D x 16

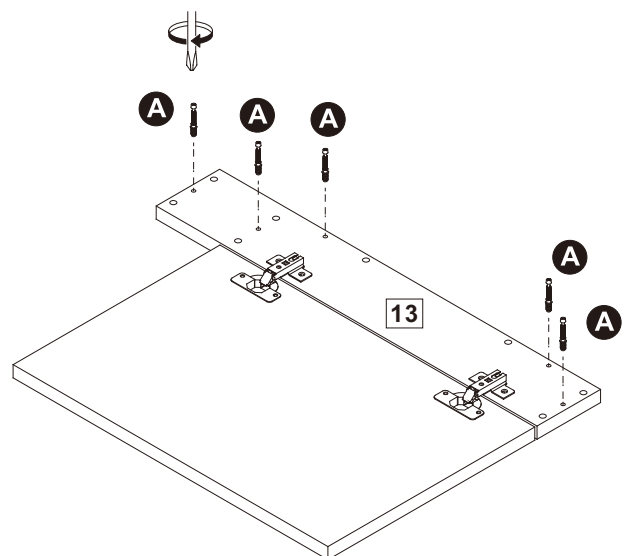
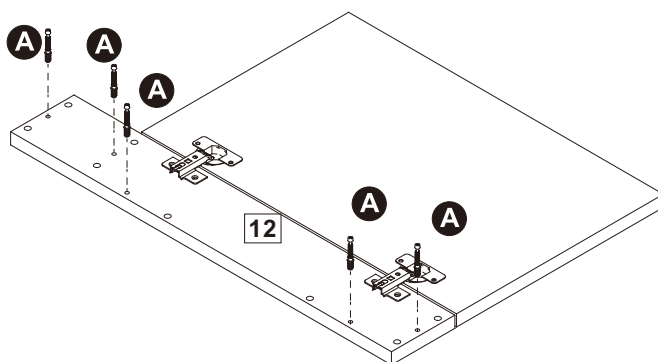
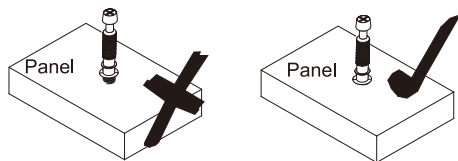
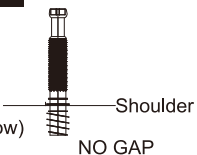
K 
K x 4

Use screws (D) to secure hinges (k) to doors (14), and then secure hinges (K) to part (12, 13) with a screwdriver.

Step 18

CAM-LOCK

Tighten until shoulder is flush with panel. Do not overtighten or undertighten (see example below)



A 
A x 10

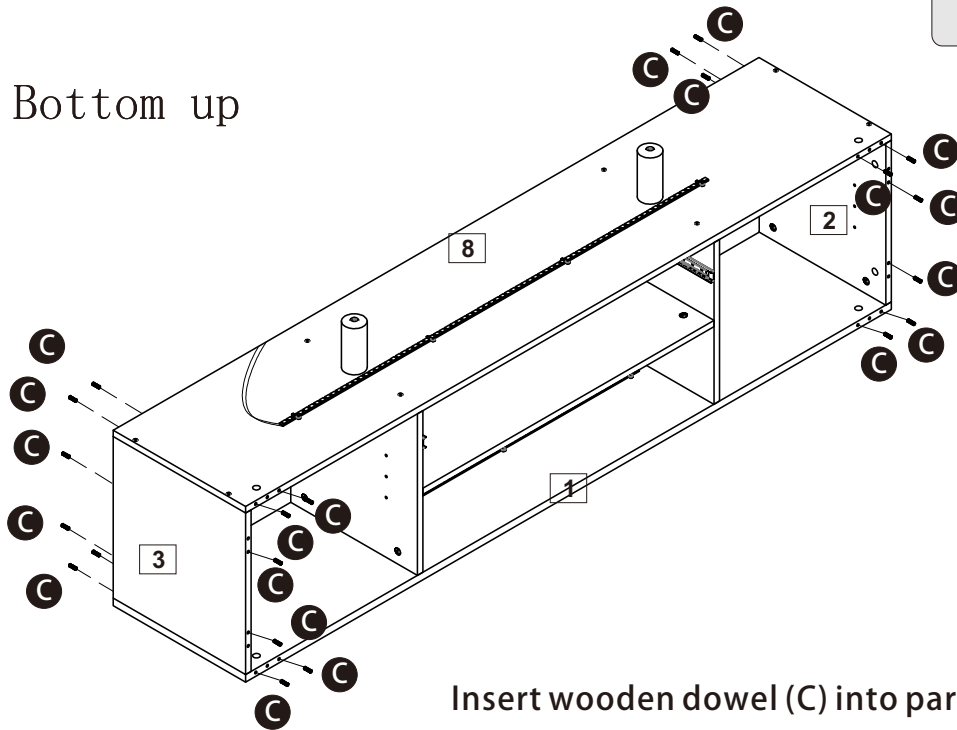
Attach cam bolt (A) to part (12, 13) with a screwdriver.

Assembly Instructions

Step 19

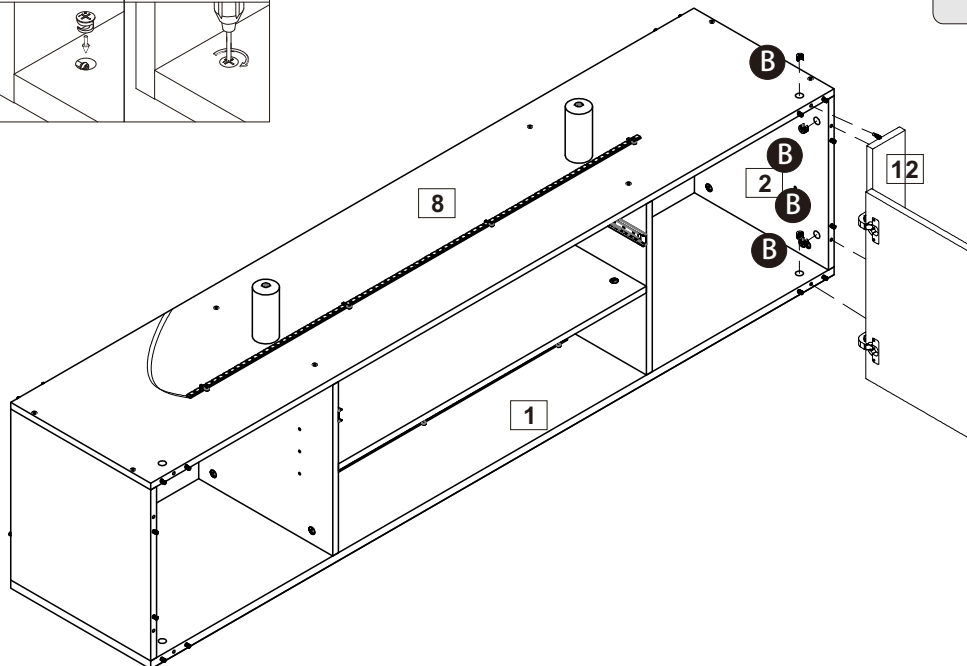
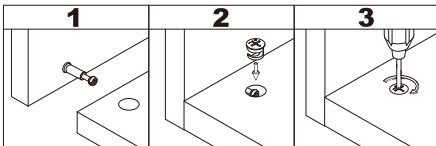


Bottom up



Insert wooden dowel (C) into part (1, 8, 3, 4).

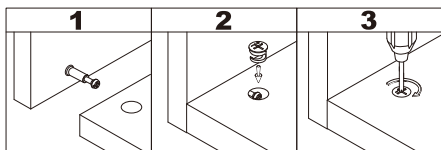
Step 20



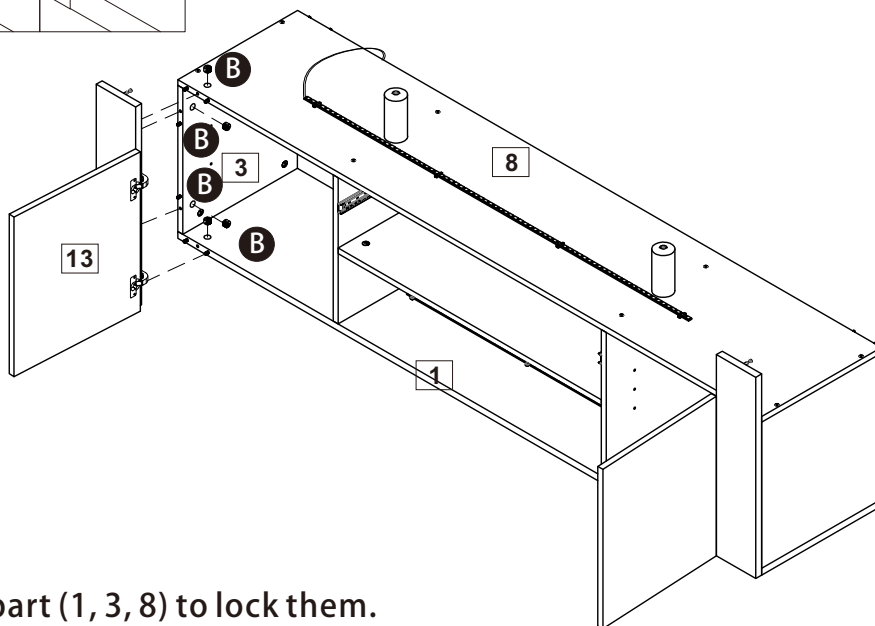
cam lock (B) to part (1, 2, 8) to lock them.

Assembly Instructions

Step 21

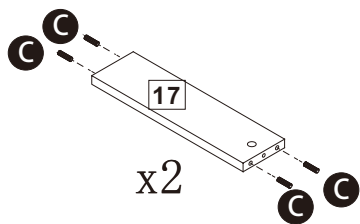


B 
B x 4



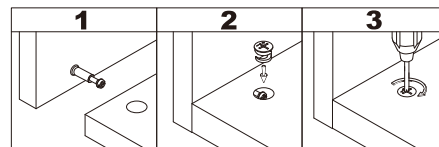
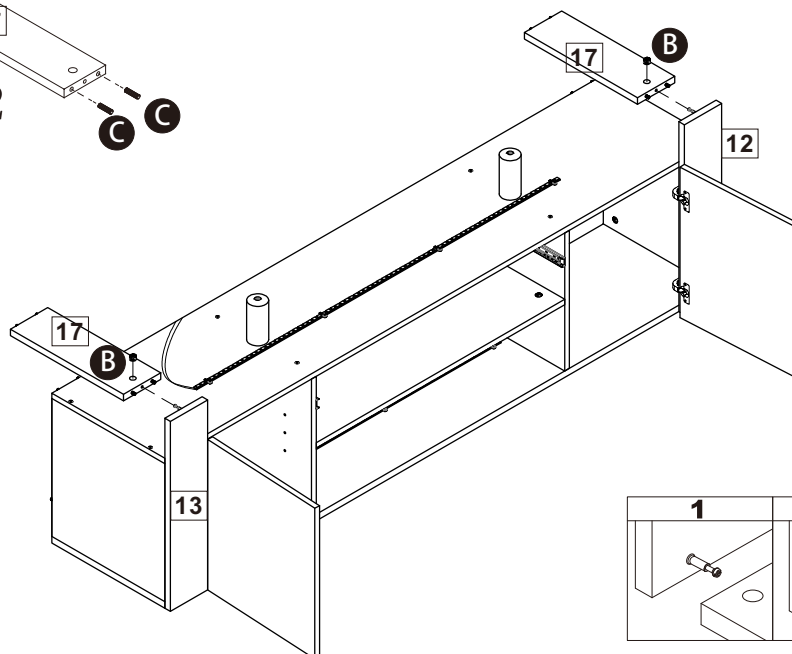
cam lock (B) to part (1, 3, 8) to lock them.

Step 22



B 
B x 2

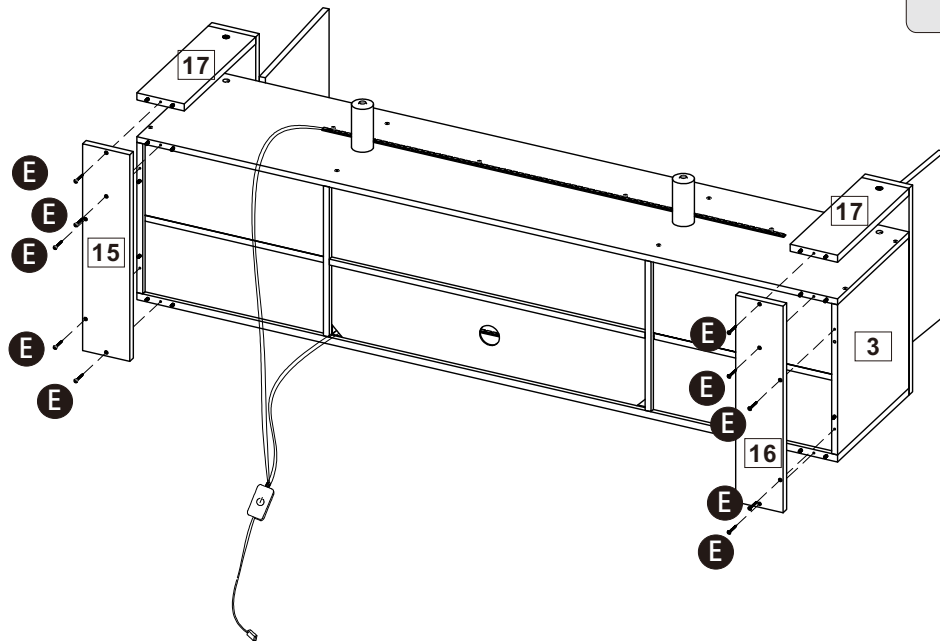
C 
C x 8

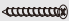


Insert wooden dowel (C) into parts (17).
Attach parts (17) to parts (12, 13),
then insert and secure cam lock (B) to parts (17) to lock them.

Assembly Instructions

Step 23

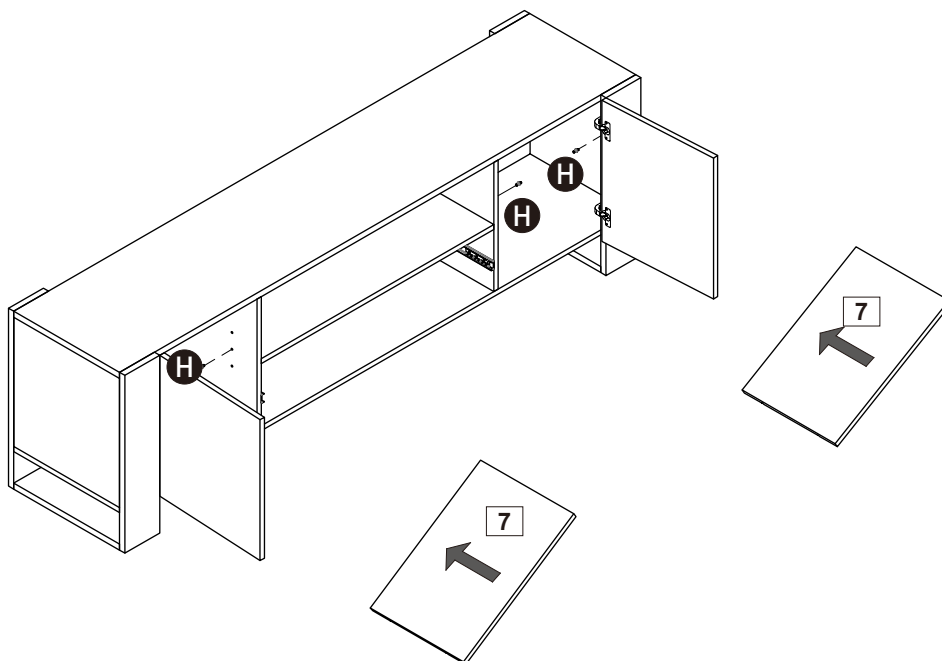


E 

Ex 10

Attach part(15)to parts(1,2,8, 17)using screw(E)with a screwdriver.
Then attach part (16)to parts(1,3,8, 17)using screw(E) with a screwdriver.

Step 24



H 

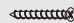
H x 8

Insert shelf support pin(H)into part(2,3,4,5)

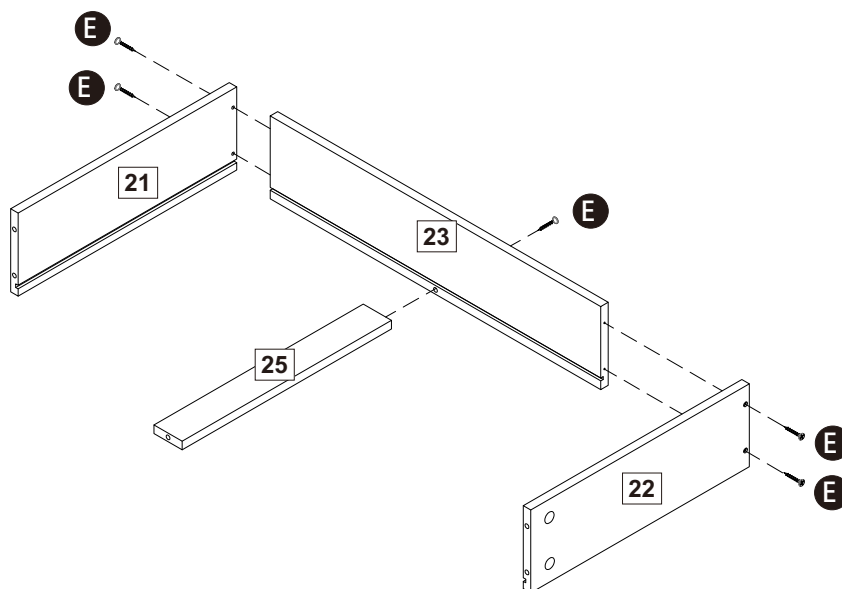
Place part(16)on the top of support pins.

Assembly Instructions

Step 25

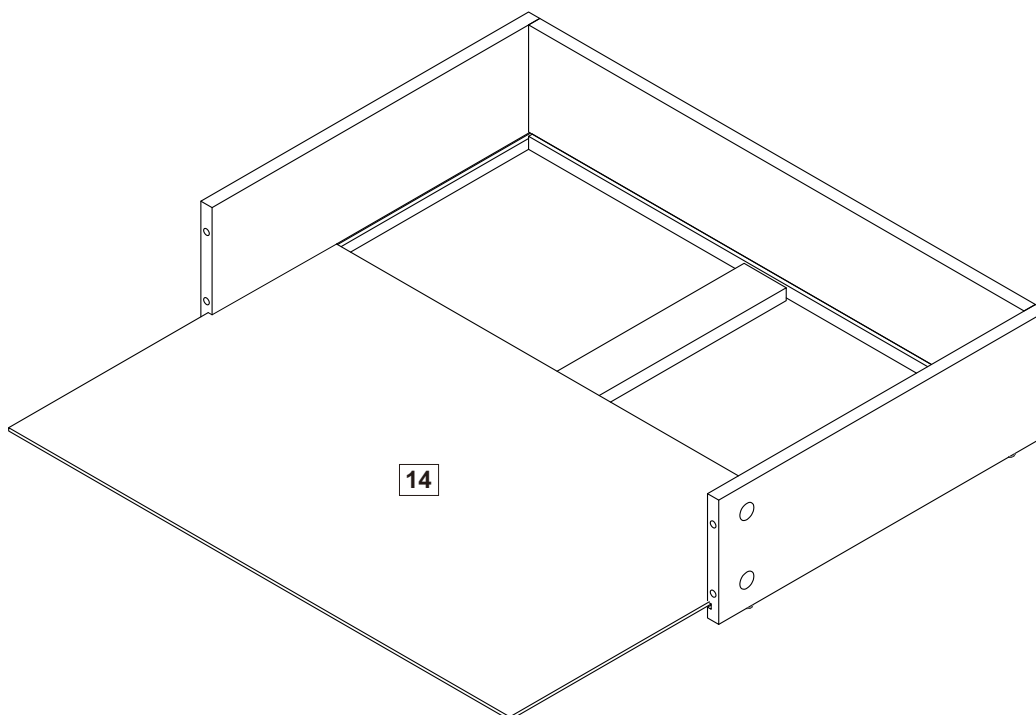
E 

E x 5



Secure parts (21, 22, 23, 25) with screwdriver screws.

Step 26



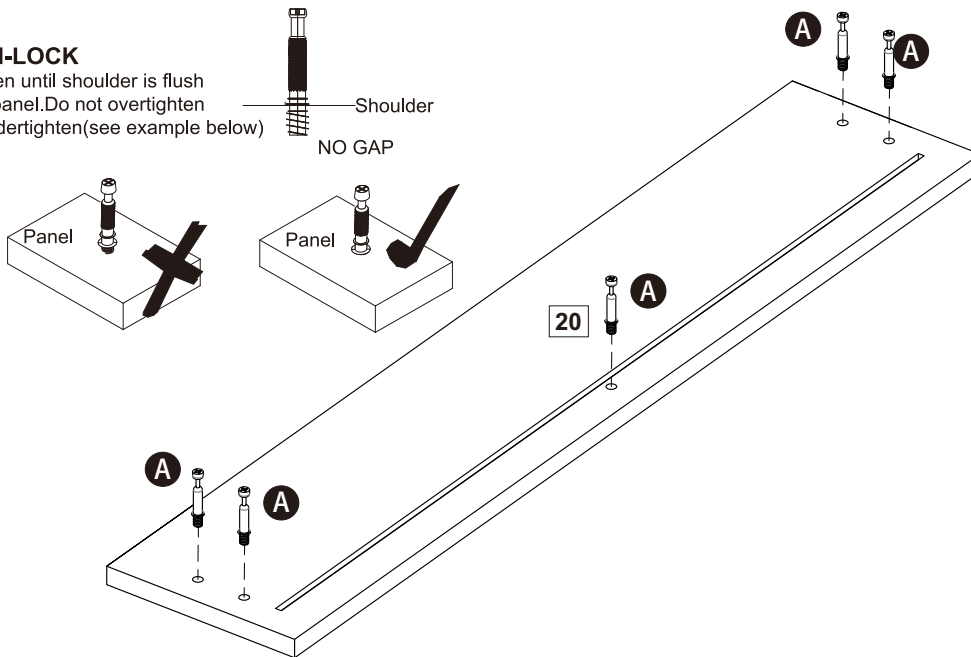
Slide the back panels (19) into grooves as per diagram.

Assembly Instructions

Step 27

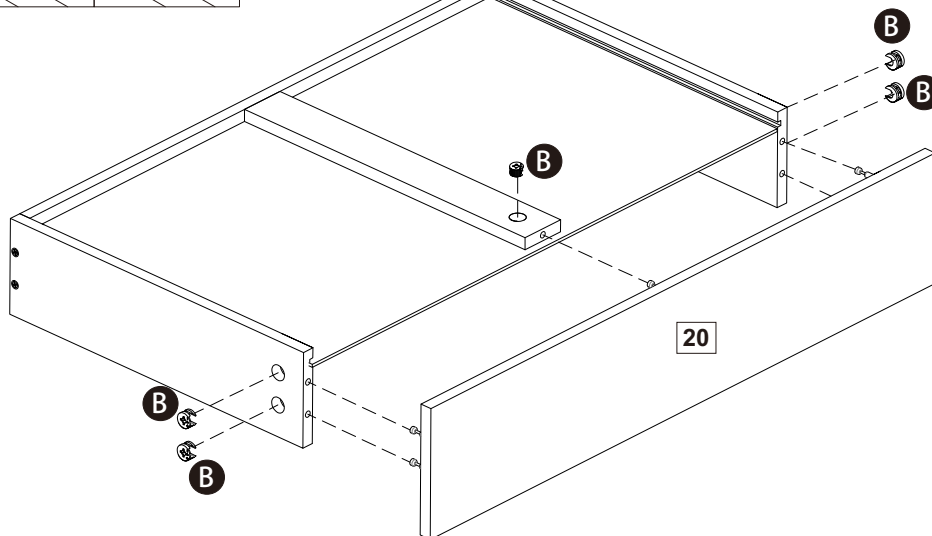
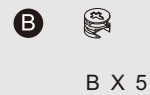
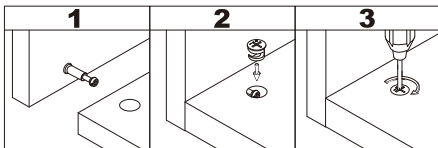
CAM-LOCK

Tighten until shoulder is flush with panel. Do not overtighten or undertighten (see example below)



Attach cam bolt (A) to part (20) with a screwdriver.

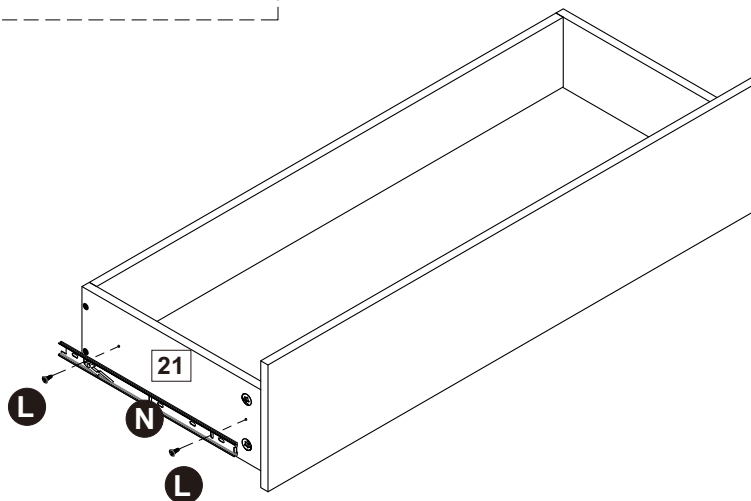
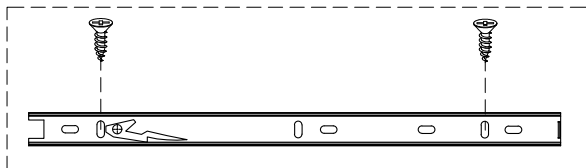
Step 28



Connect the drawer panel (20) to the drawer side panel and insert the cam lock (B) and lock it.

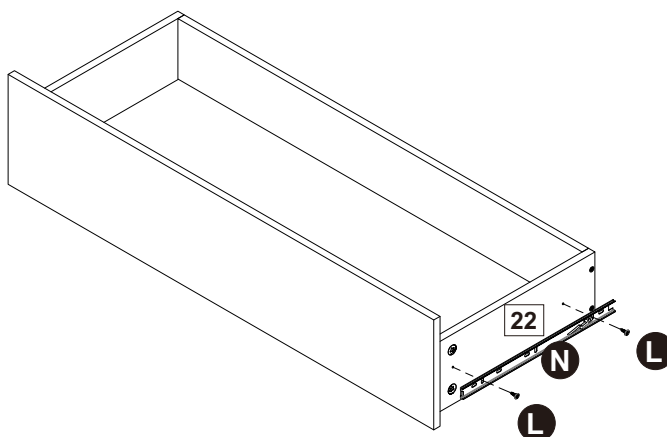
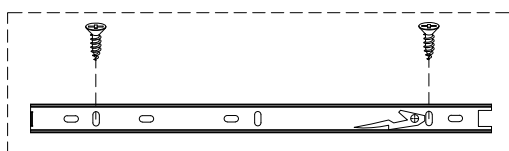
Assembly Instructions

Step 29



Secure rail (N) to part (21) with part (D).

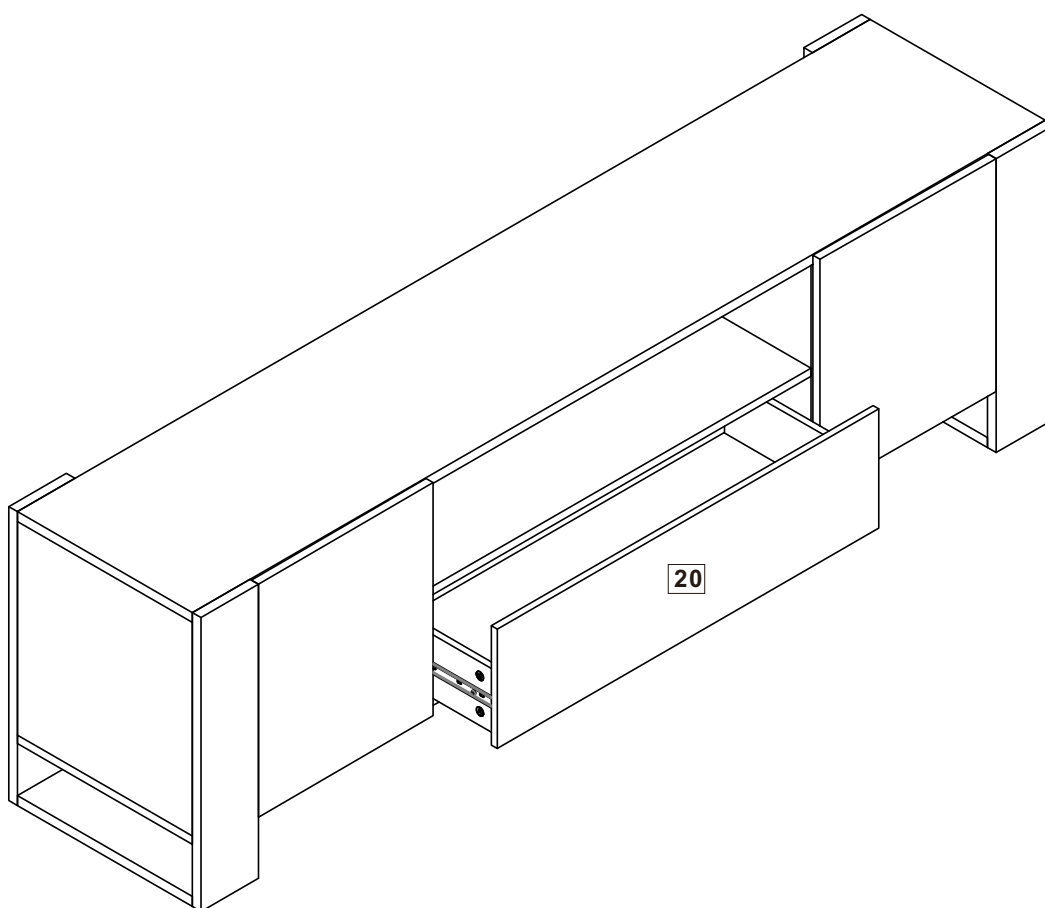
Step 30



Secure rail (N) to part (22) with part (D).

Assembly Instructions

Step 31



Insert the drawer as shown.

Assembly Instructions

Step 32

The unit is floor standing, but it is recommended that the unit is secured to the wall.

1. Move the unit into desired position.

2. Mark the wall with a suitable scribe the position of the fixing holes.



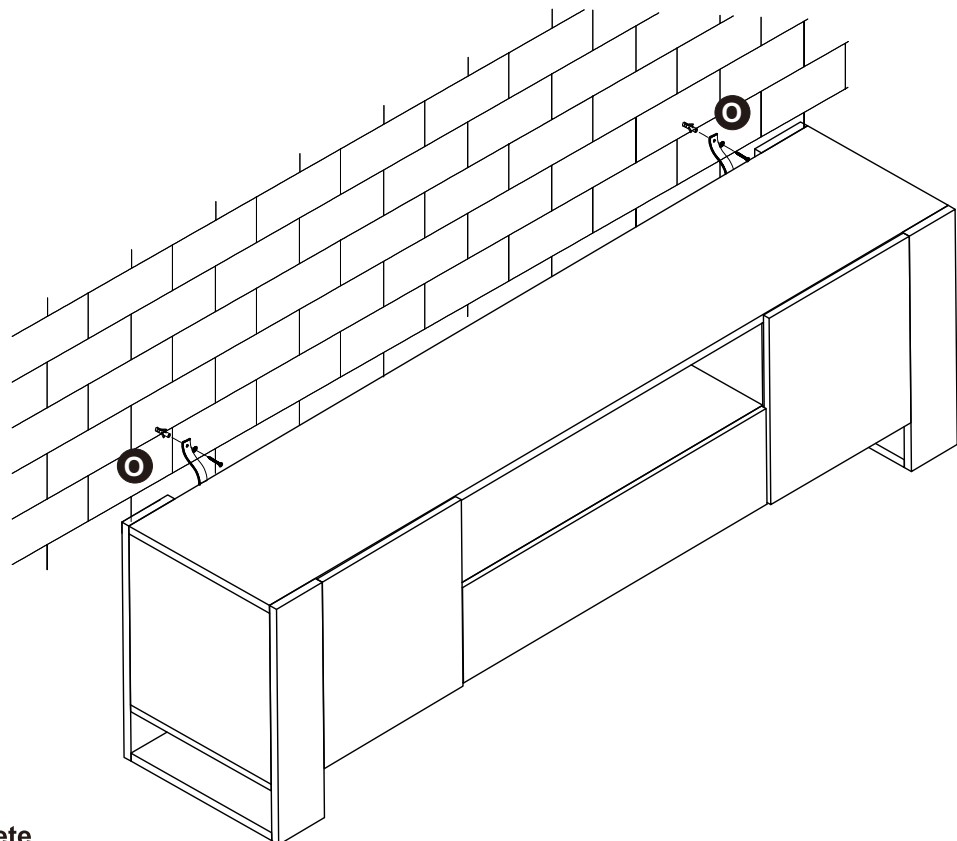
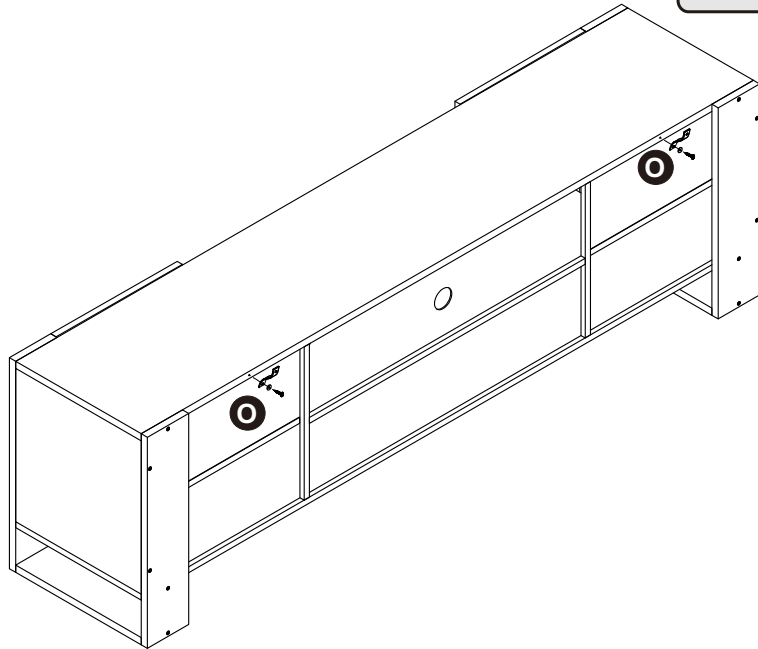
Warning:
Before drilling, check wall for hidden pipes and cables.

3. Drill holes and insert 2 x wall plug

4. Attach 2 x Wall Straps to the top of the unit using 2 x Washers and 2 x Screws

5. Secure the straps to the wall using 2 x Washers and 2 x Screws

Note: To hide the straps behind the unit, drill the holes lower than the top of the unit



Assembly is complete.