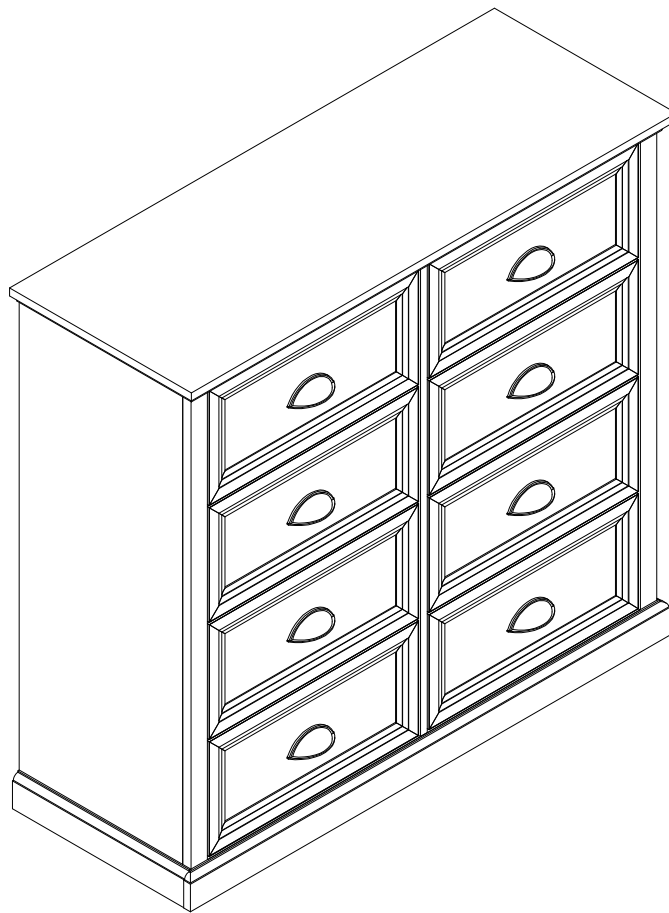


8-drawer cabinet

Assembly Instructions-Please keep for future reference



Dimensions

width-42 inch
Depth-15.8inch
Heigh-39 inch

Any question please feel free to contact us:
support@amer-life.com TEL:(901)347-2181
We will provide further assistance within
24 hours

Important-Please read these instructions fully before staring assembly

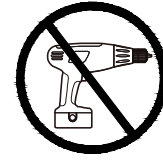


Safety and Care Advice

Important-Please read these instructions fully before starting assembly

- Check you have all the components and tools listed on the following pages.
- Remove all fittings from the plastic bags and separate them into their groups.
- Keep children and animals away from the work area, small parts could choke if swallowed.
- Make sure you have enough space to layout the parts before starting.

- During assembly do not stand or put weight on the product, this could cause damage/
- Assemble the item as close to its final position (in the same room) as possible.
- Assemble on a soft level surface to avoid damaging the unit or your floor.
- Parts of the assembly will be easier with 2 people.



power drill is set on a low torque setting .

- To reduce the likelihood of damaging your product please ensure that your

Care and maintenance

- Only clean using a damp cloth and mild detergent, do not use bleach or abrasive cleaners.

- From time to time check that there are no loose screws on this unit.

- This product should not be discarded with household waste. Take to your local authority waste disposal centre.

Handy Hints

- Assemble all parts and bolts loosely during assembly, only once the product is complete should you fully tighten the bolts.

- Regularly check and ensure that all bolts and fittings are tightened properly.

WARNING

In order to help prevent overturning- please follow these instructions

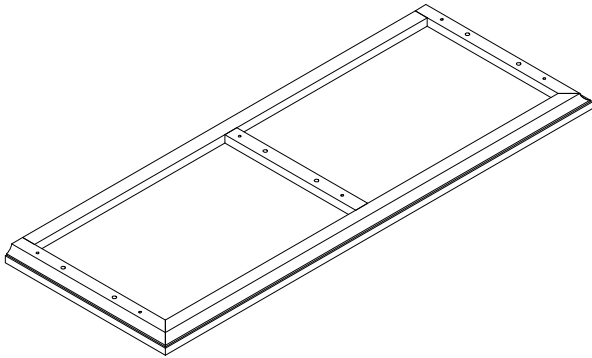
To help prevent product toppling over please follow the steps below:

- Must use the anti tip strap or wall fixing method provided (whichever applies).
- Do not allow children to climb or hang on the furniture.
- Do not place heavy items on top of the furniture, unless the furniture has been designed for this purpose
- Installation shall be carried out exactly according to the instructions- otherwise a safety risk can occur
- In order to prevent falling down this product must be used with the wall attachment device provided

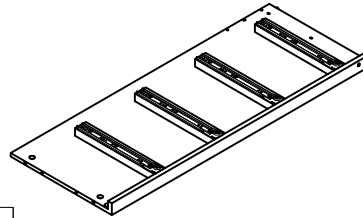
please note that only the wall attachment device is provided. You will need to supply wall plugs and screws applicable for your wall type.

Components-Panels

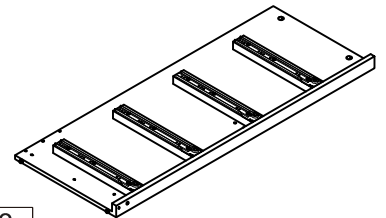
Please check you have all the panels listed below



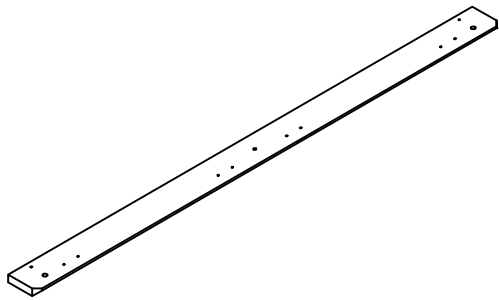
1 (106.7 x 40 x 2.4cm) x1



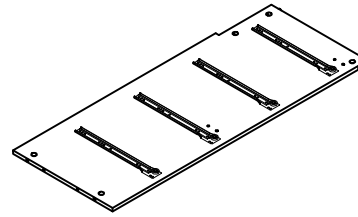
2 (97.1 x 38 x 3.8cm) x1



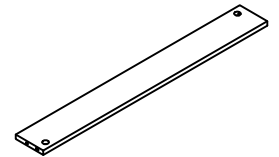
3 (97.1 x 38 x 3.8cm) x1



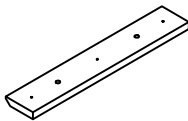
4 (105.9 x 6.6 x 1.5cm) x1



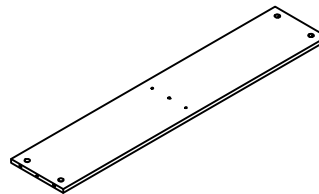
5 (97.1 x 38 x 1.2cm) x1



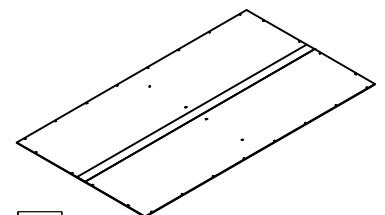
6 (49.5 x 8.6 x 1.2cm) x2



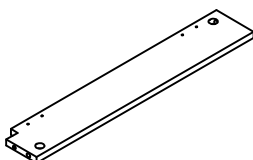
7 (38 x 6.6 x 1.5cm) x2



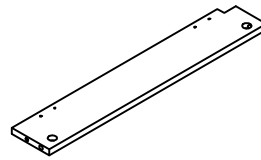
8 (100.3 x 19.8 x 1.2cm) x1



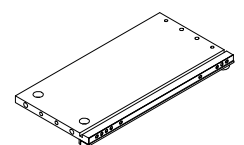
9 (102.6 x 80 x 0.3cm) x1



10 (49.5 x 8.5 x 1.2cm) x1



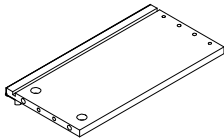
11 (49.5 x 8.5 x 1.2cm) x1



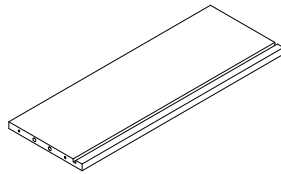
12 (30 x 15.2 x 1.2cm) x8

Components-Panels

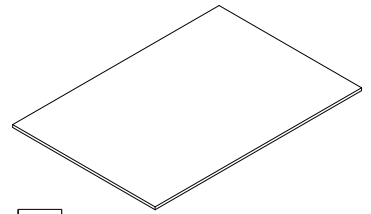
Please check you have all the panels listed below



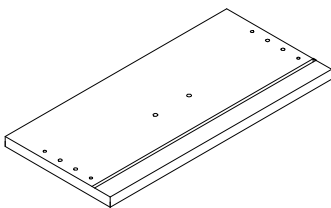
13 (30 x 15.2 x 1.2cm) x8



14 (41.9 x 15.2 x 1.2cm) x8



15 (42.9 x 29.6 x 0.5cm) x8



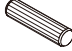

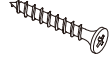



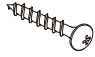








16 (46.1 x 22.1 x 1.8cm) x8

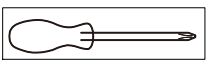
Components-Fittings

Please check you have all the fittings listed below

NOTE: The quantities below are the correct amount to complete assembly. In some cases more fittings may be supplied than are required.

A  7*34mm Cam Bolt x 53+5	B  15*9Cam Lock x 53+5	C  6*30mm Wooden Dowel x 81+8
D  8*20mm Wooden Dowel x 6	E  4*30mm Screw x 32+3	F  3.5*14mm Screw x 24+3
G  3.5*12mm Screw x 16+2	H  Plastic connector x 4	I  4*25mm Screw x 8+1
J  Handle x 8	K  5/32*12mm Handle bolt x 16+2	
 4*12mm Screw x 2  4*25mm Screw x 2  Plastic strap x 2		 Nut x 2

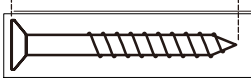
Tools required



Phillips screwdriver
(medium & large)

Ruler - Use this ruler to help correctly identify the screws

0 5 10 15 20 25 30 35 40 45 50 55 60 65 70 75 80 85 90 95 100 105 110 115 120 125 130 135 140 145 150 155 160 165 170

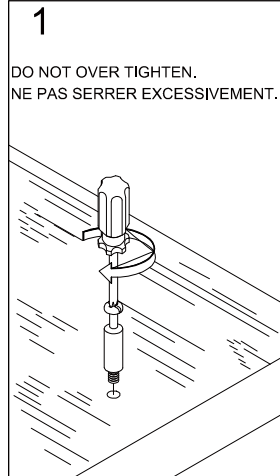


The screws length is measured from the head to the point (30mm screw shown).

Using Camlocks

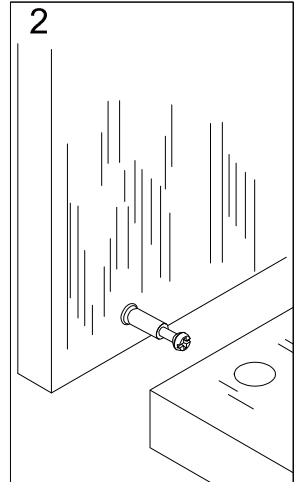
Step 1

Connect the male camlock as directed in the assembly instructions using a screwdriver.



Step 2

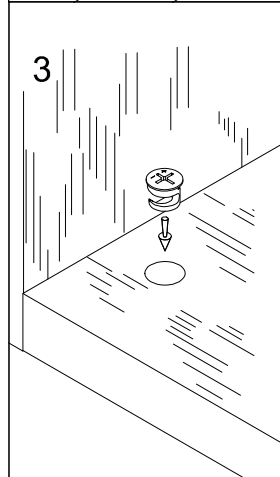
Push the male camlock into the entry hole.



Step 3

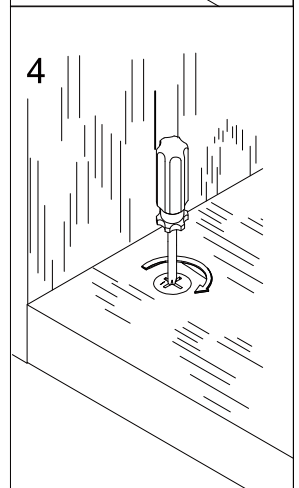
Insert the female camlock as shown in the instructions.

Note: ensure that the arrow on the top of the camlock points towards the entry hole for the male camlock.

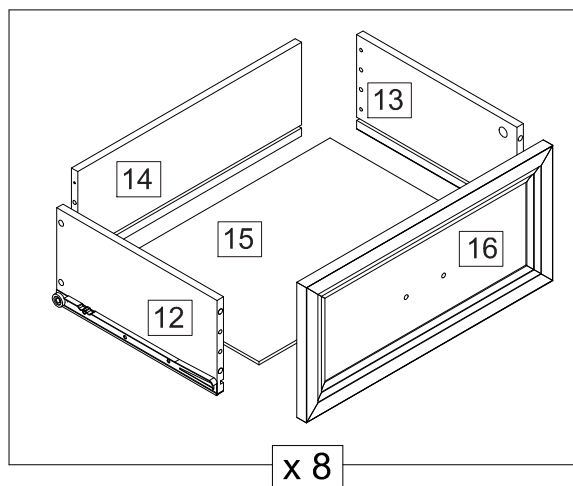
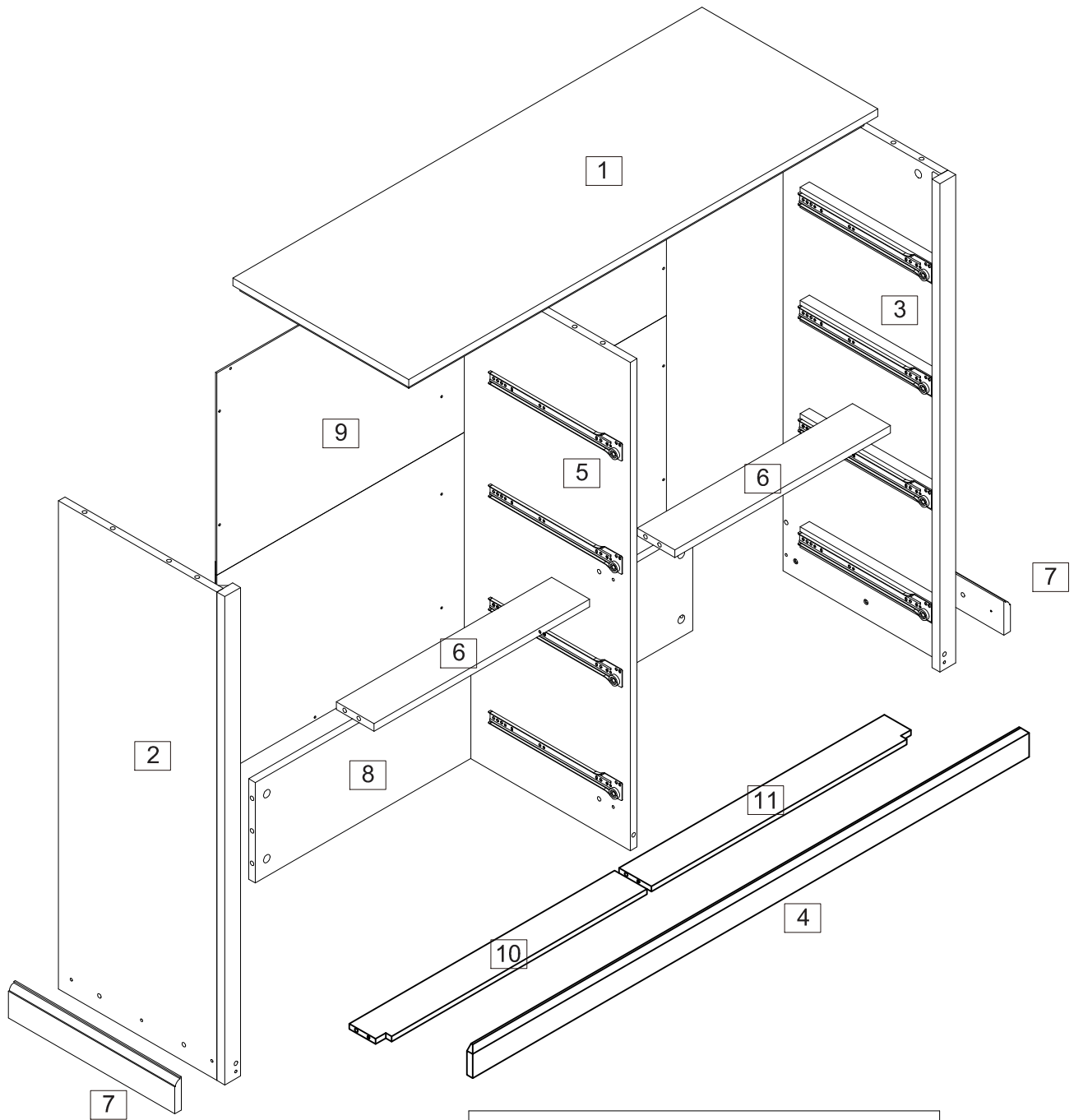


Step 4

Turn the female camlock clockwise with a screwdriver. You should feel a click when the camlock is locked in place. The joint is now secure.

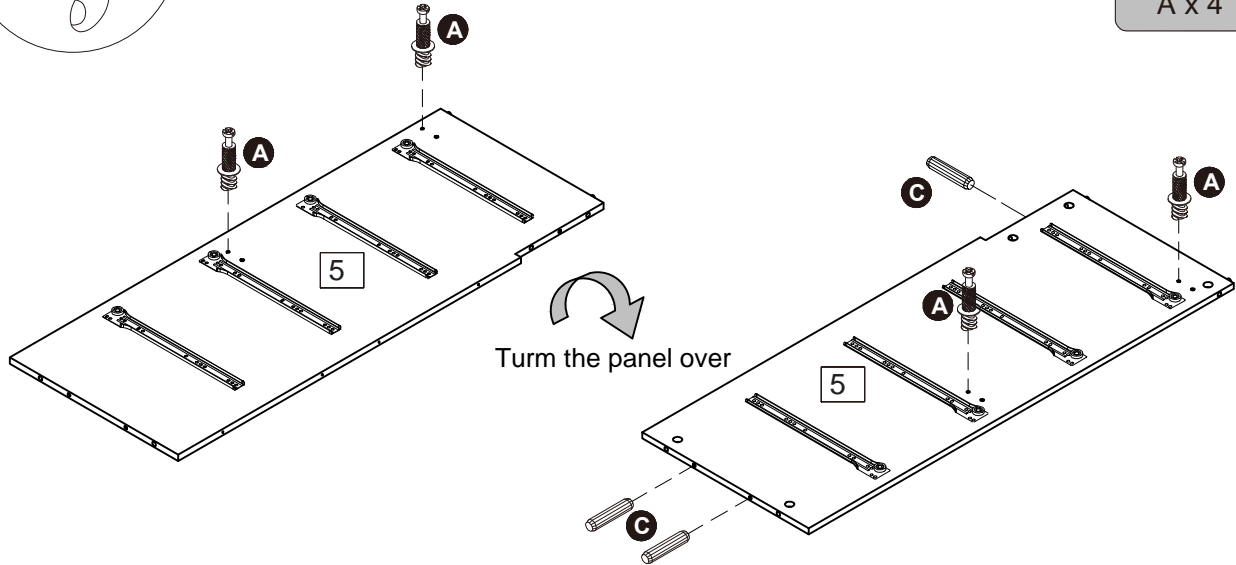
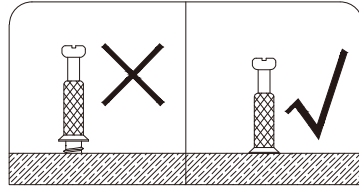
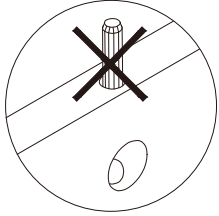


Assembly Instructions

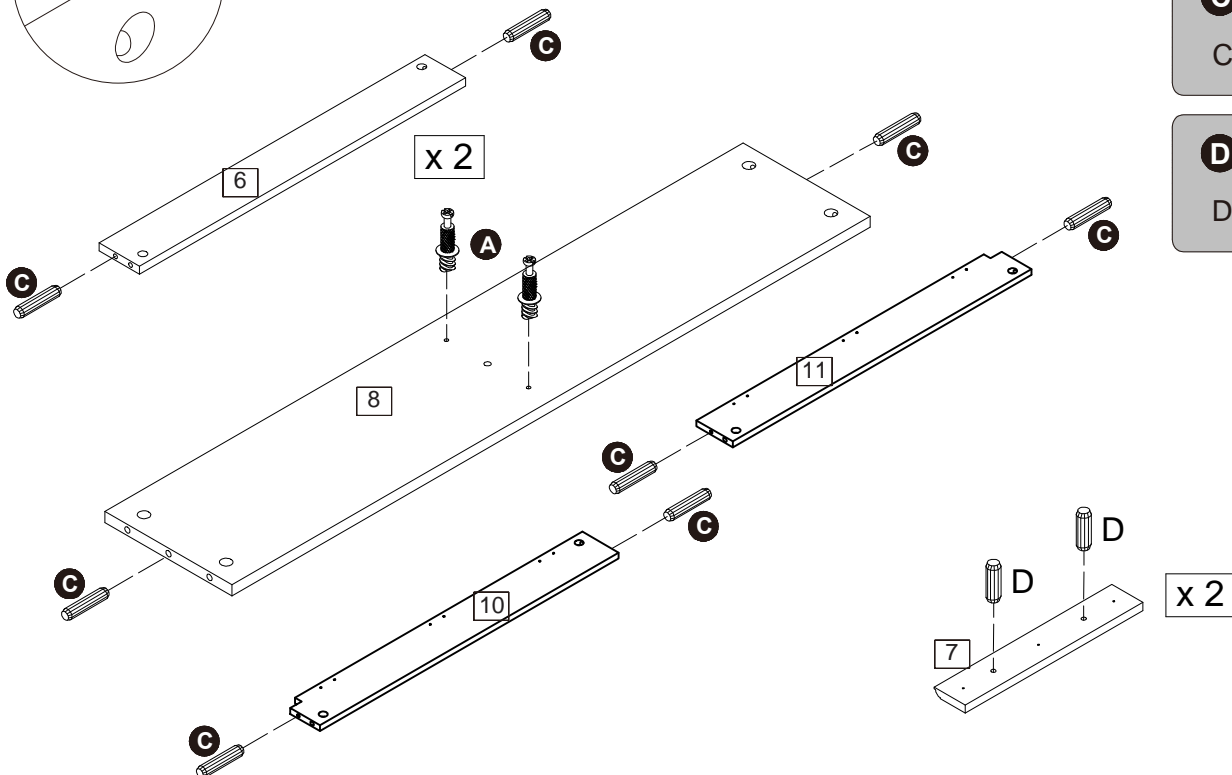
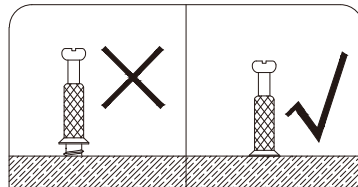
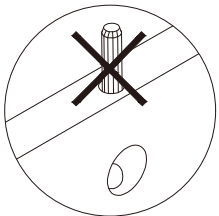


Assembly Instructions

Step 1

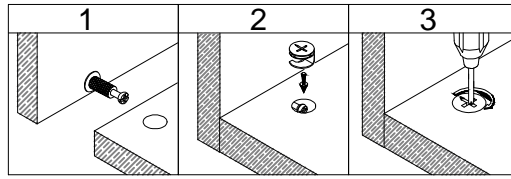


Step 2

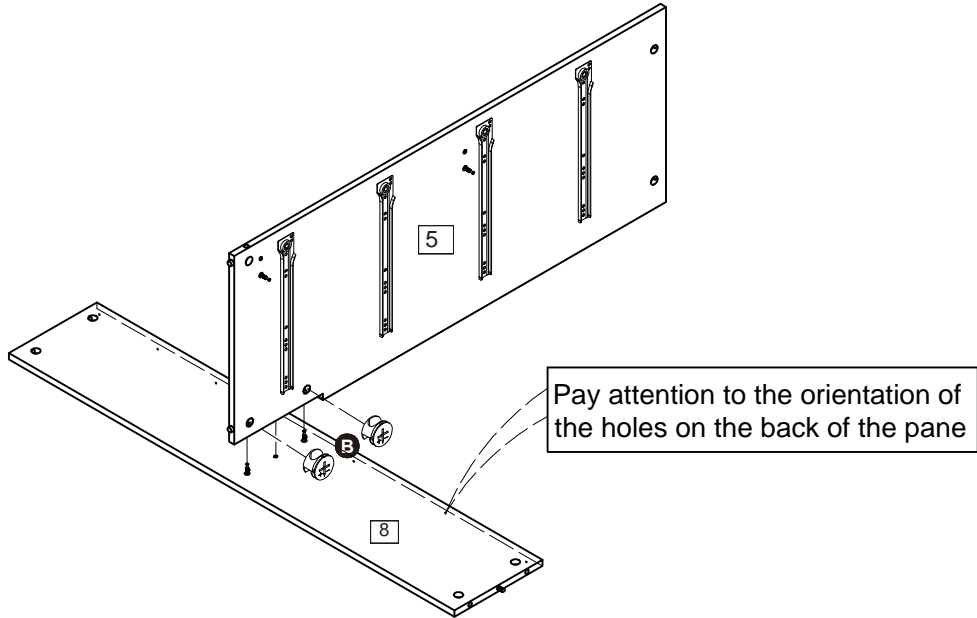


Assembly Instructions

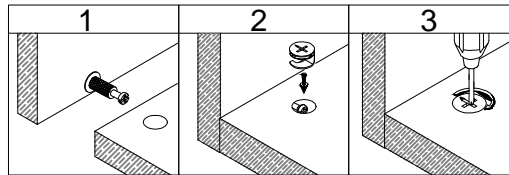
Step 3



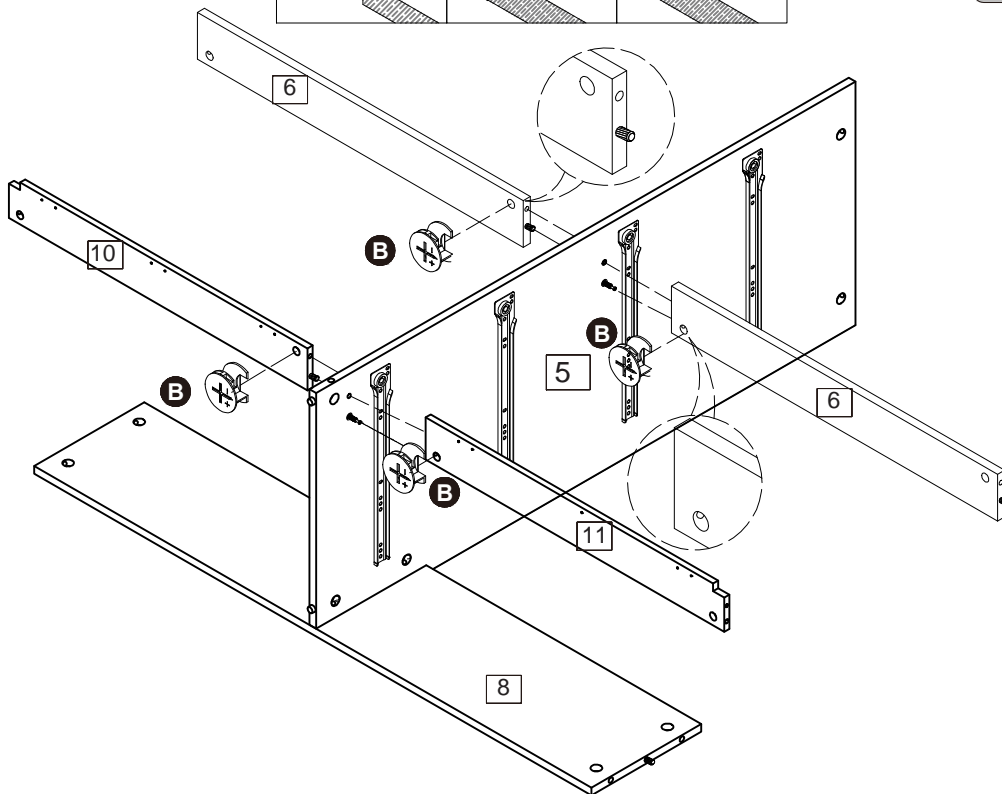
B
B x 2



Step 4

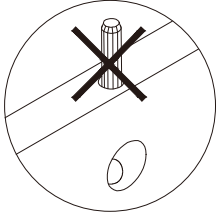
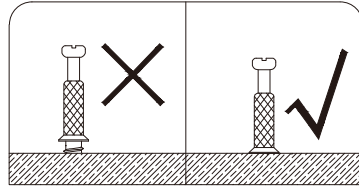


B
B x 4



Assembly Instructions

Step 5



A



A x 4

C

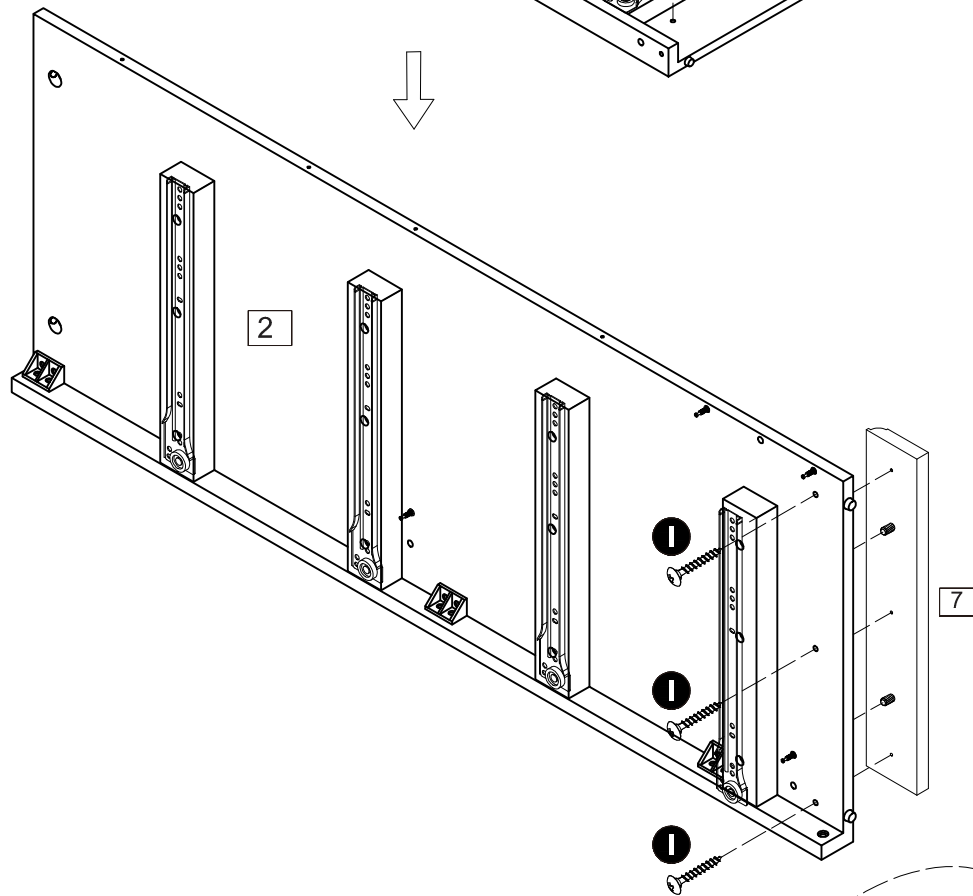
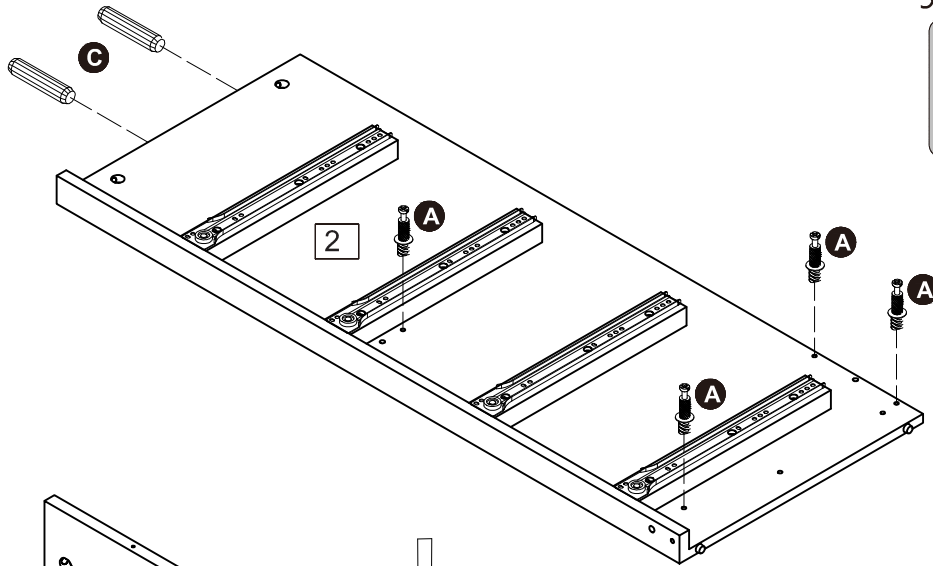


C x 2

I

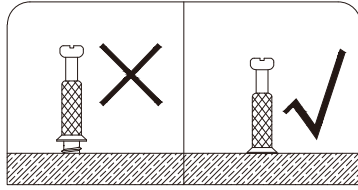


I x 3



Assembly Instructions

Step 6



A



A x 4

C

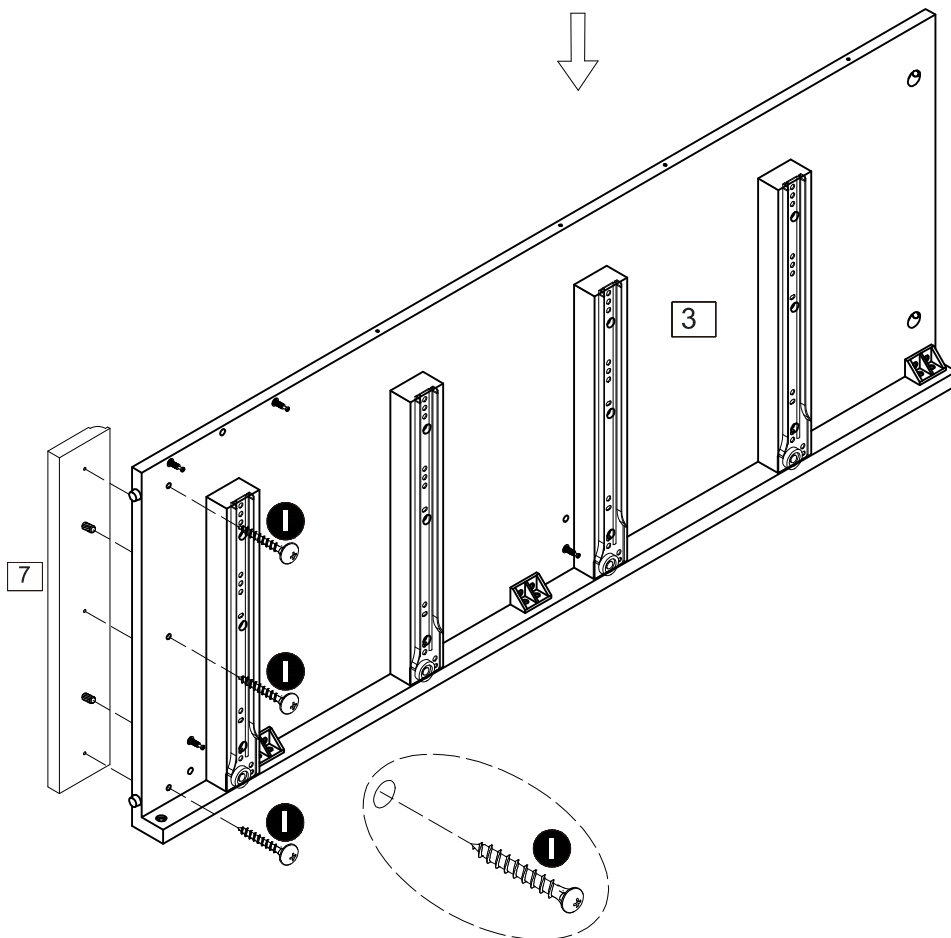
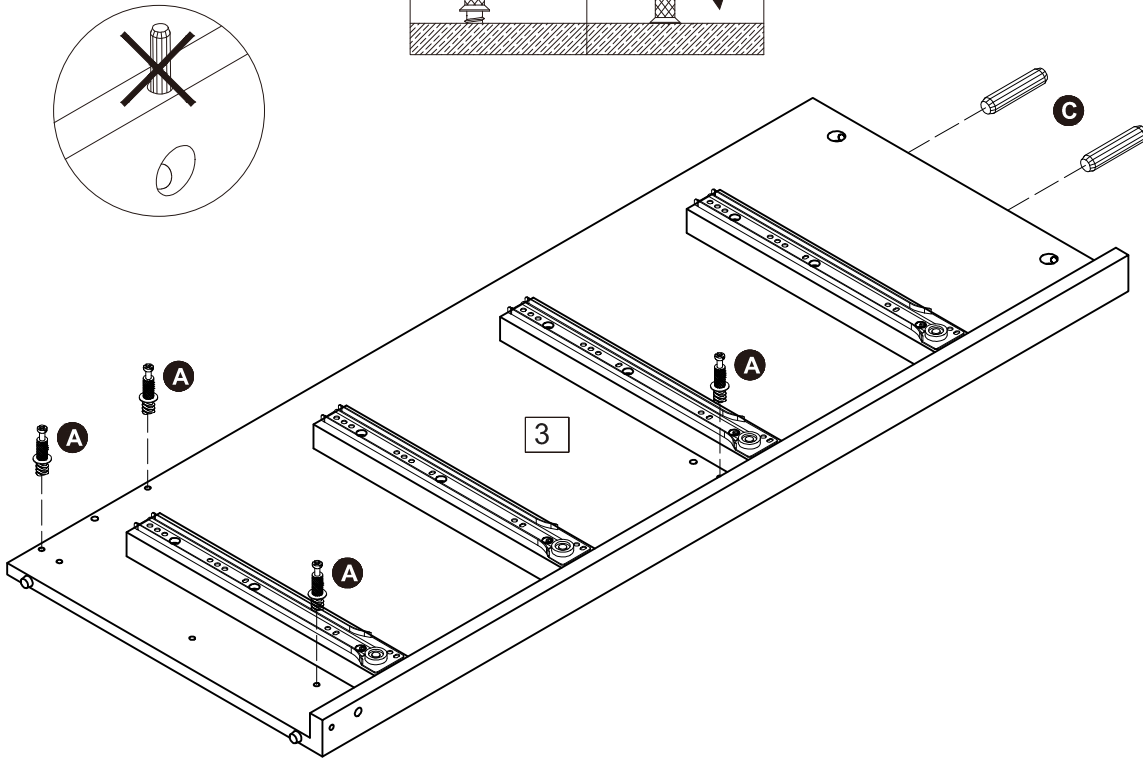


C x 2

I

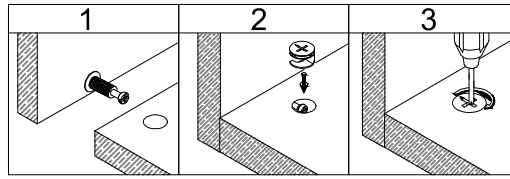
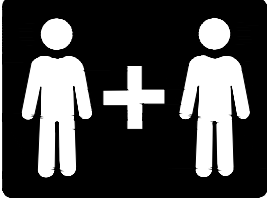


I x 3

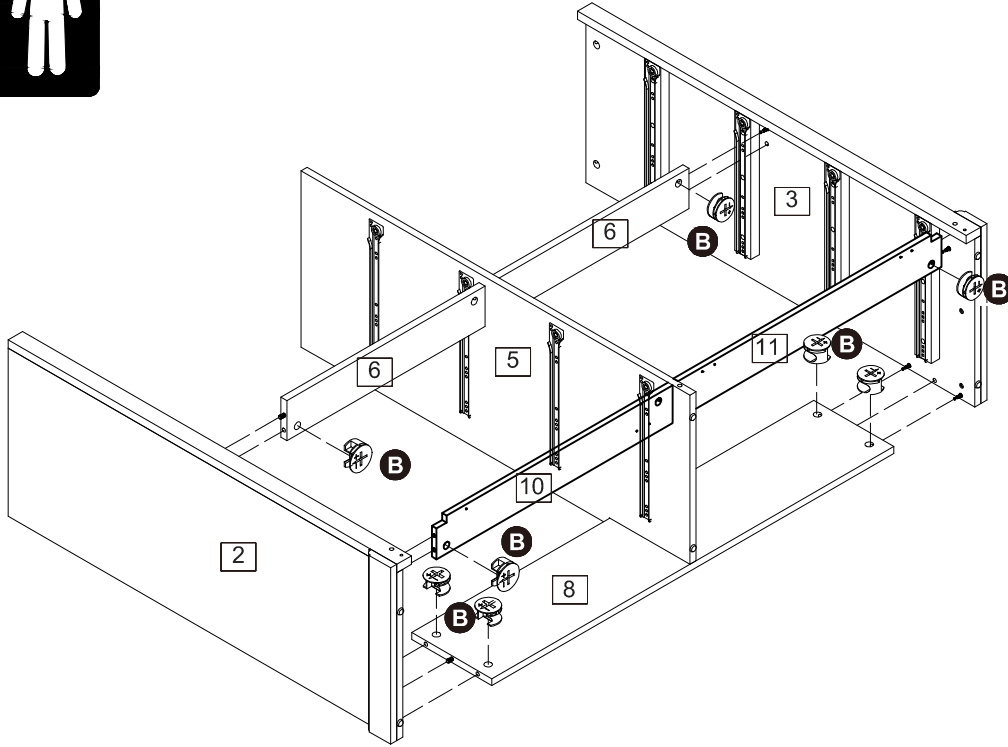


Assembly Instructions

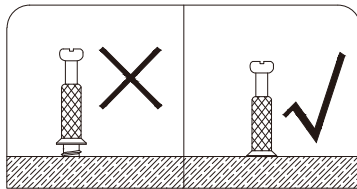
Step 7



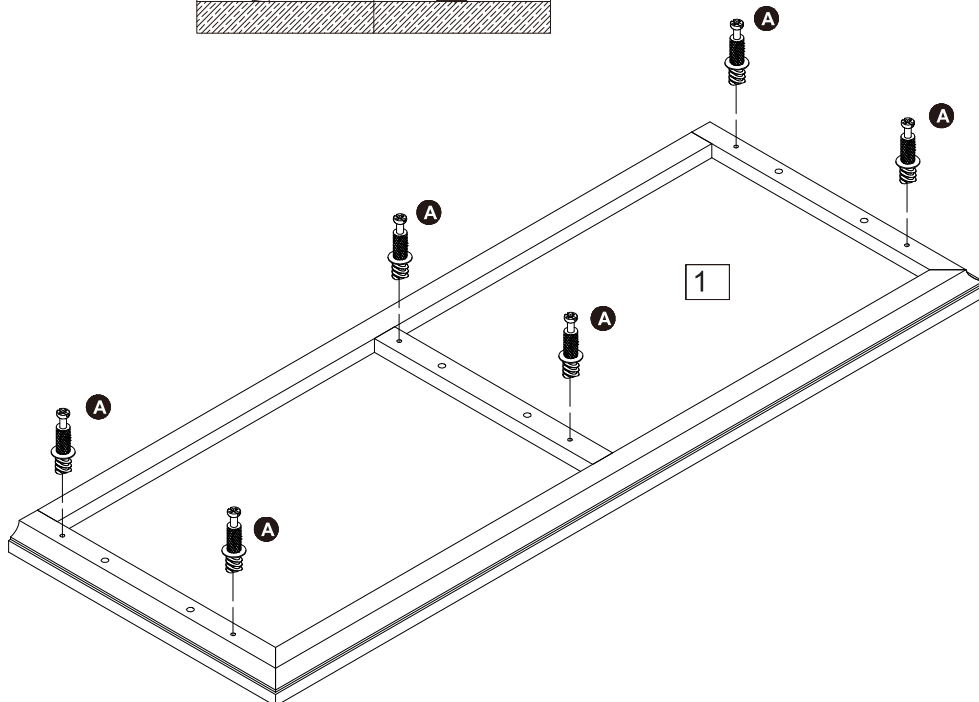
B
B x 8



Step 8

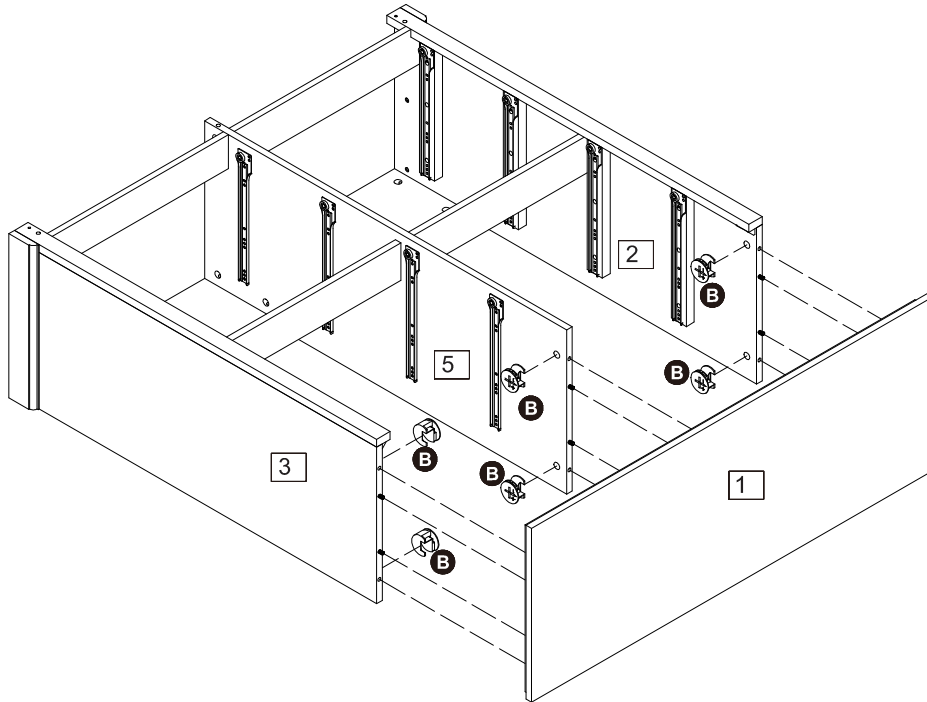
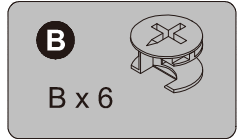
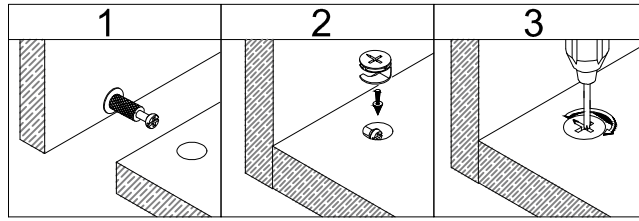
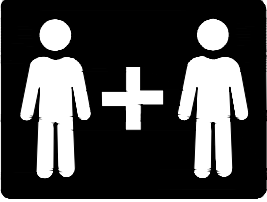


A
A x 6

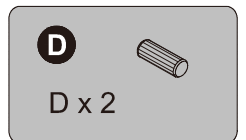
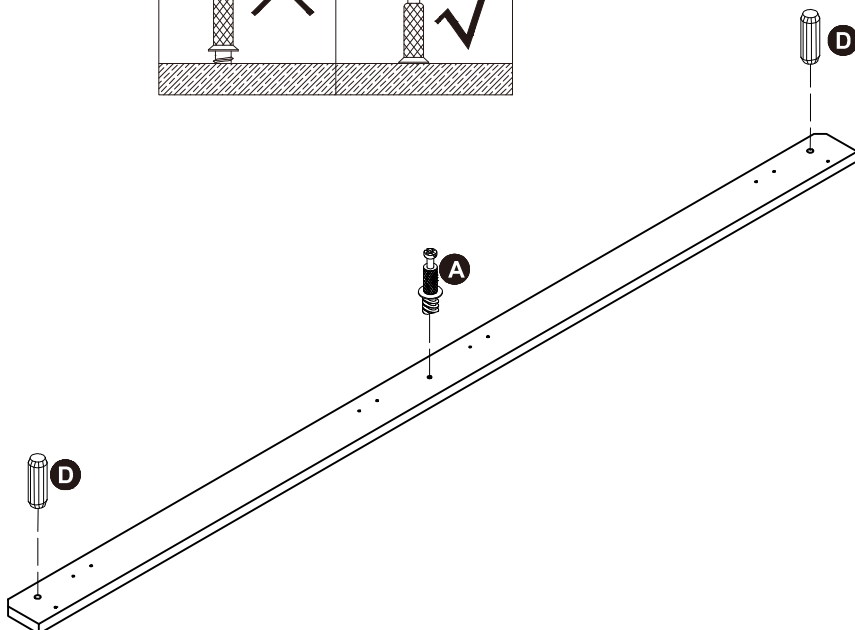
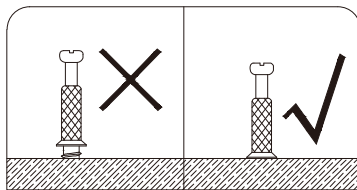
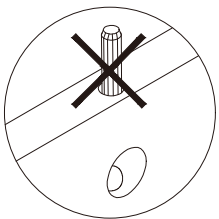


Assembly Instructions

Step 9

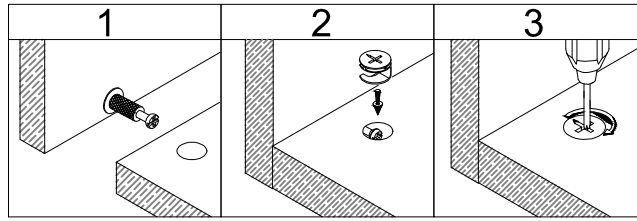
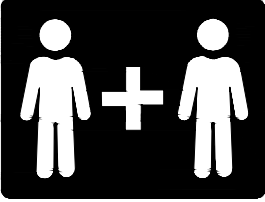


Step 10



Assembly Instructions


Step 11

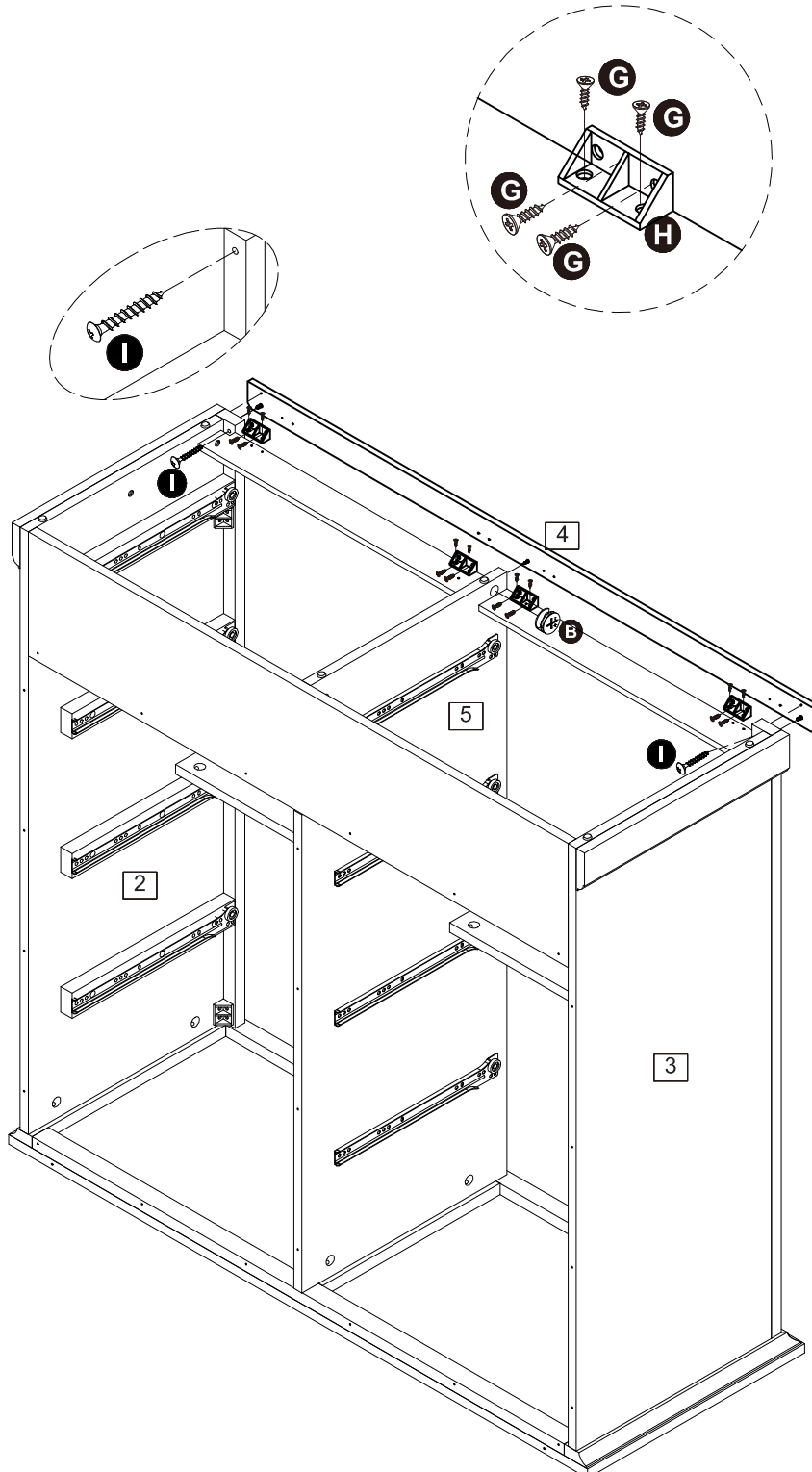


I 
I x 2

B 
B x 1

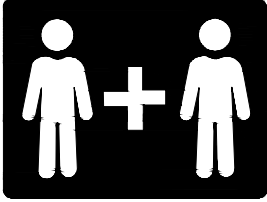
G 
G x 16

H 
H x 4



Assembly Instructions

Step 12

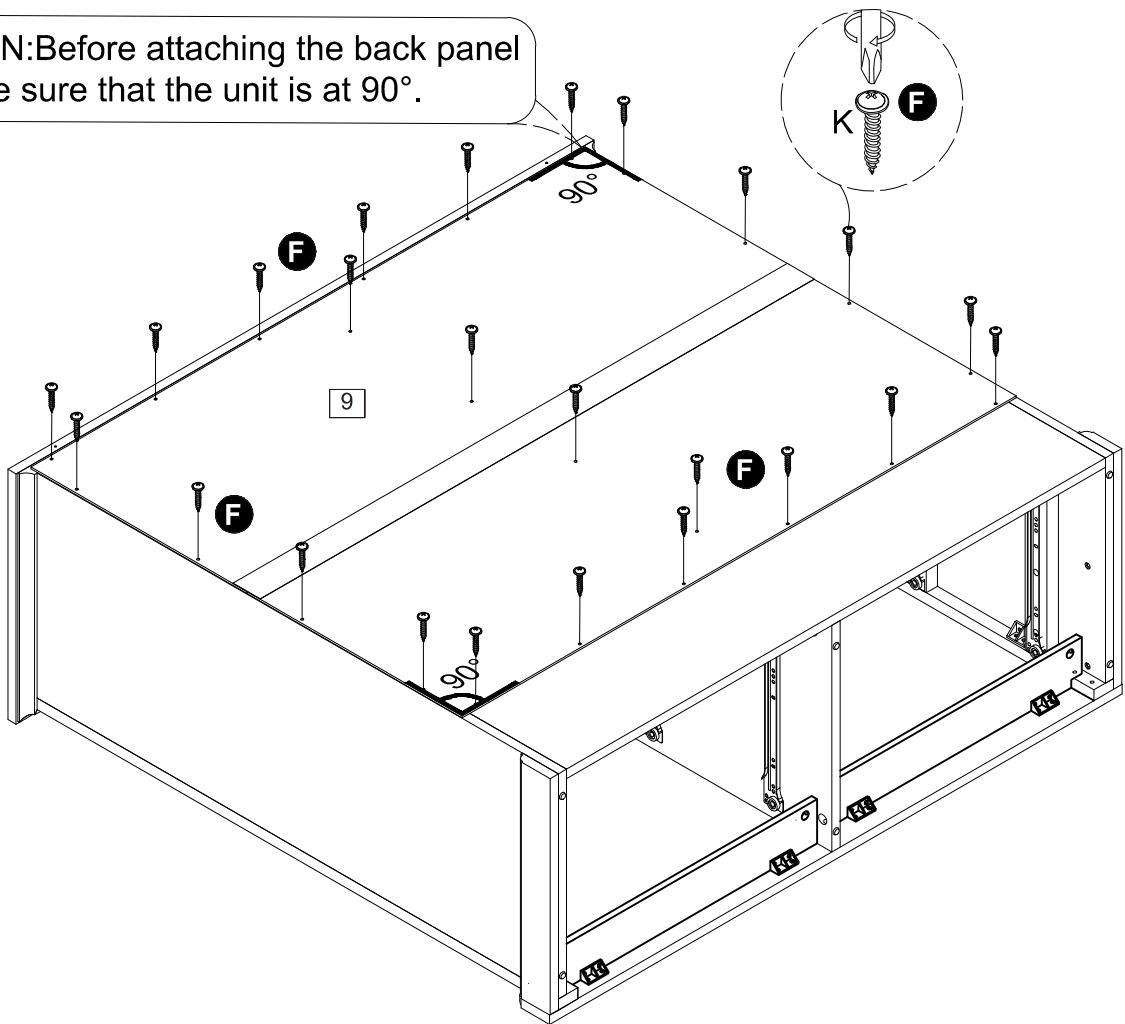


F

F x 24

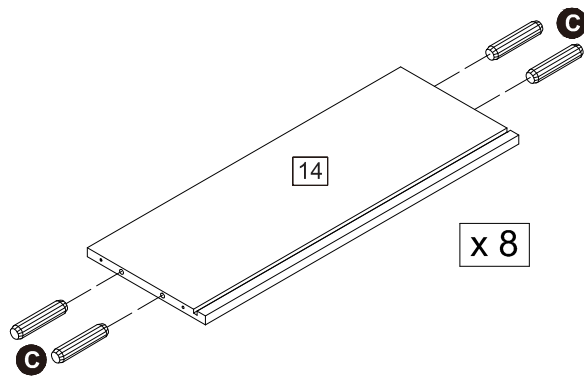
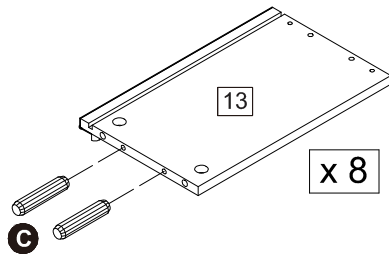
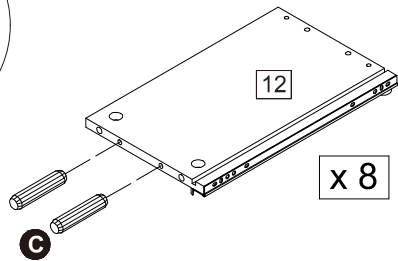
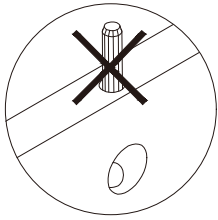


CAUTION: Before attaching the back panel make sure that the unit is at 90°.

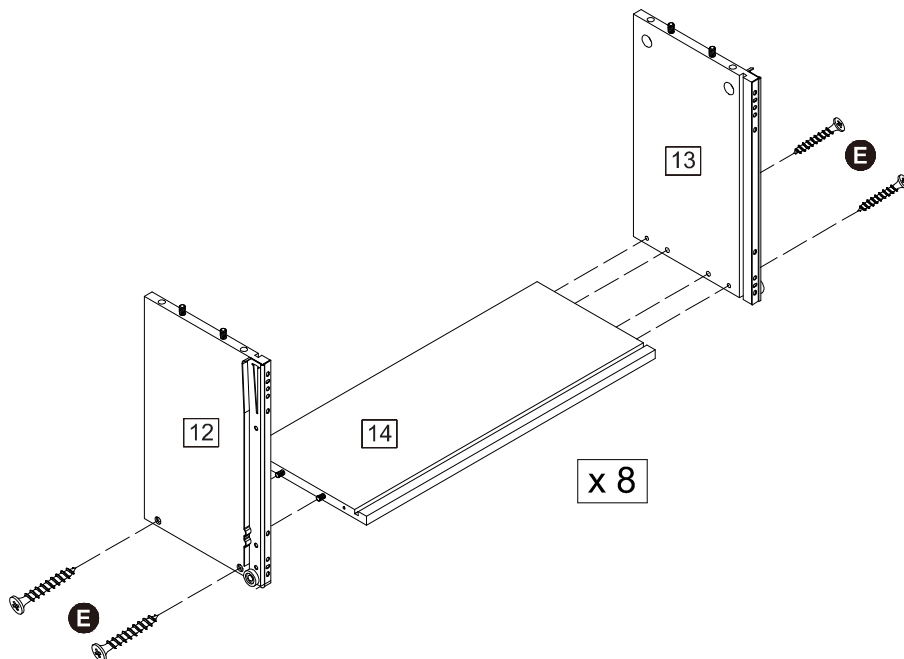


Assembly Instructions

Step 13

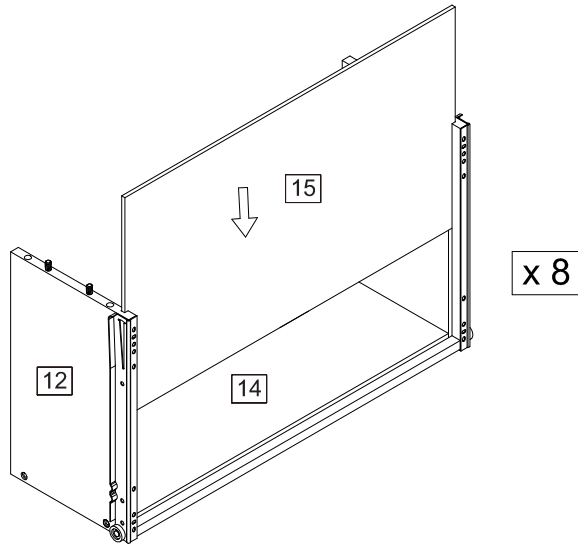


Step 14

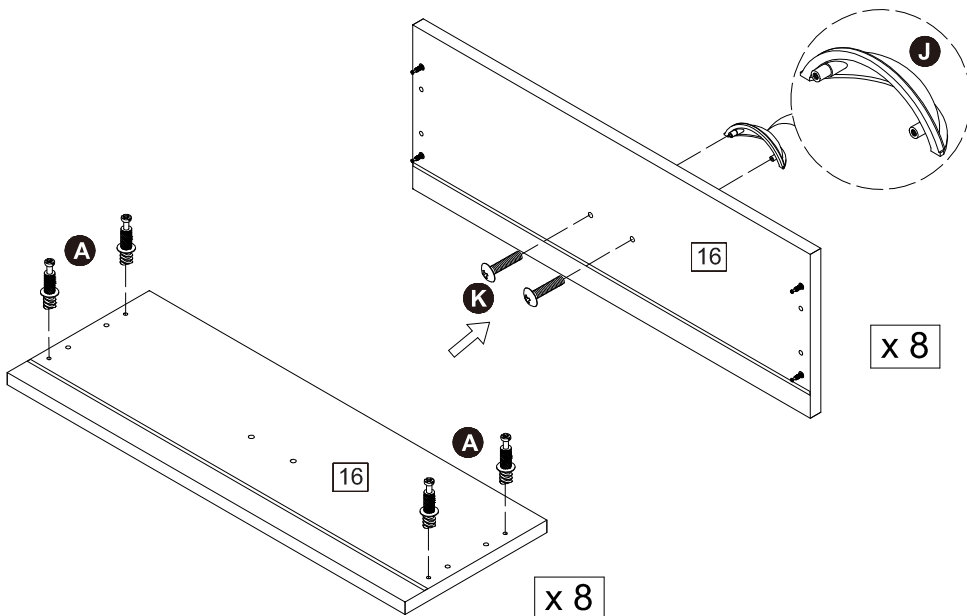
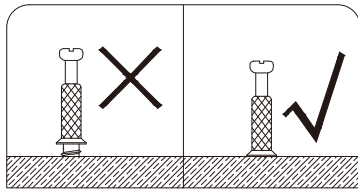


Assembly Instructions

Step 15

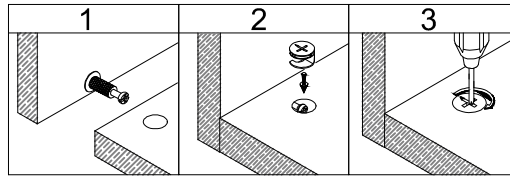


Step 16



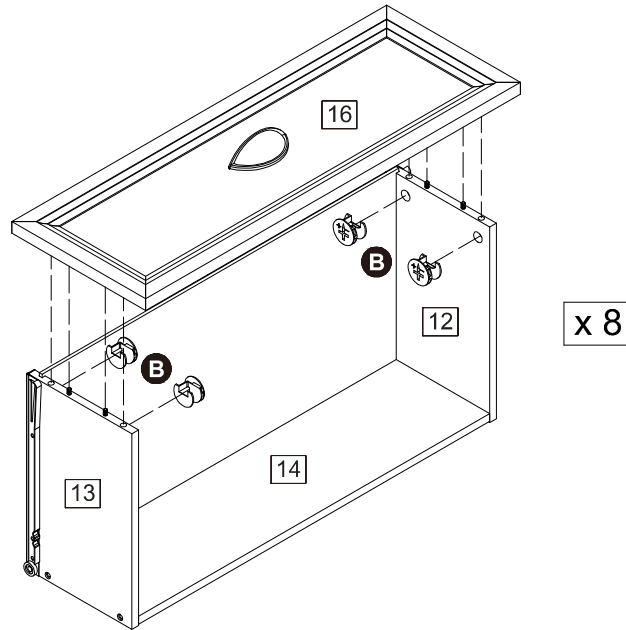
Assembly Instructions

Step 17



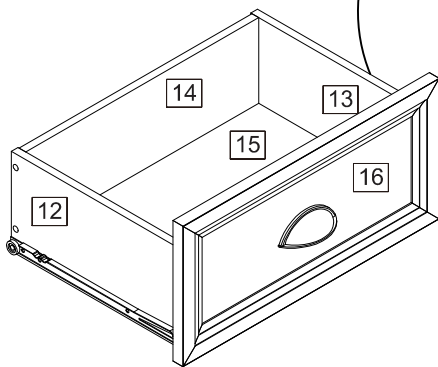
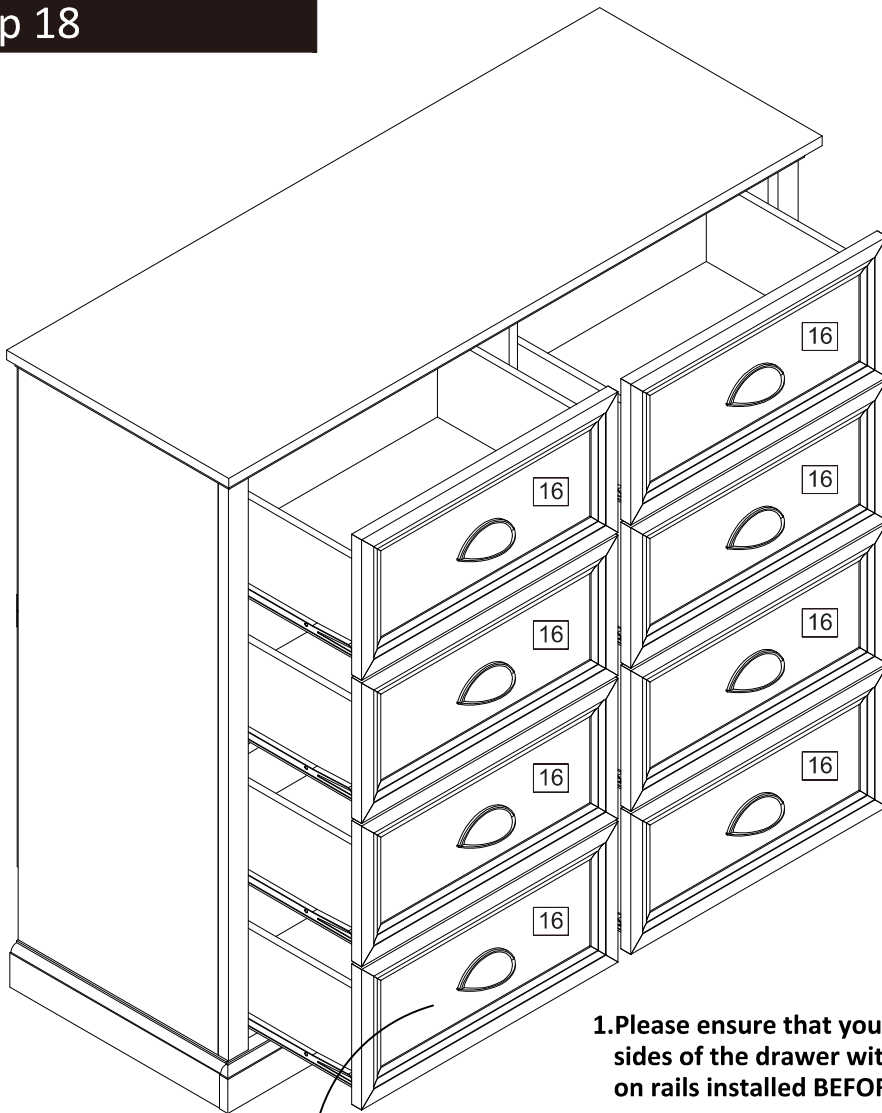
B

B x 32



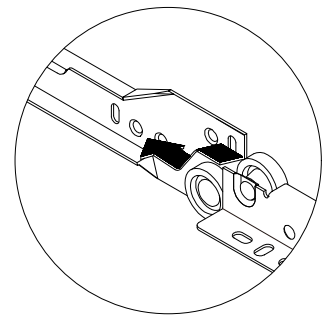
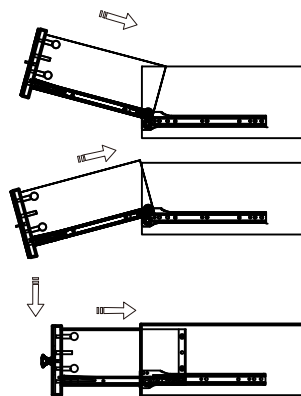
Assembly Instructions

Step 18

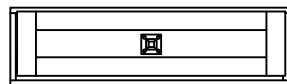


X 8

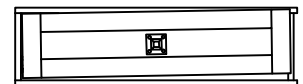
1. Please ensure that you have matched the wheels on BOTH sides of the drawer with the wheels on rails installed BEFORE push in the drawer.



2. If the following occurs, redo the first two steps.



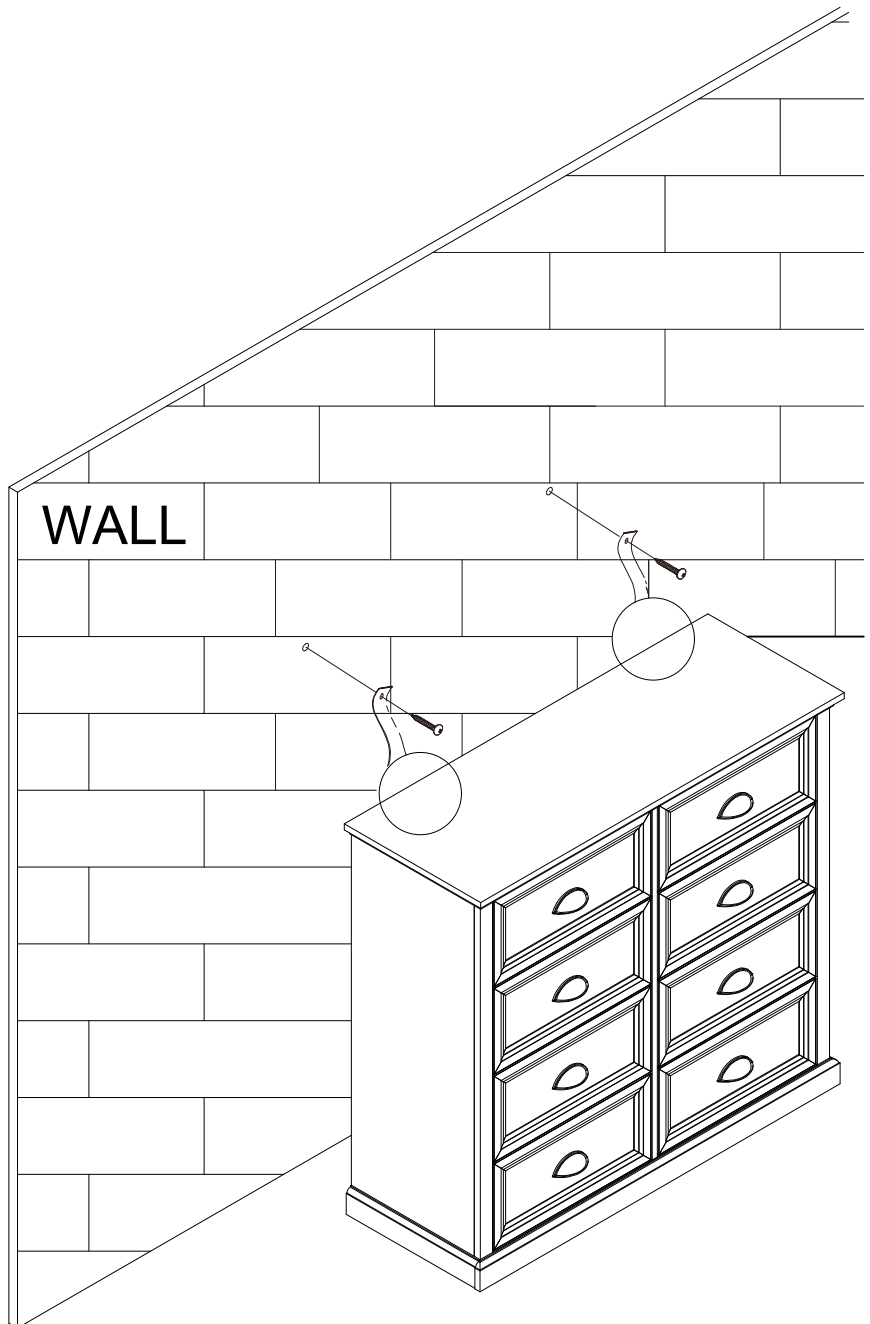
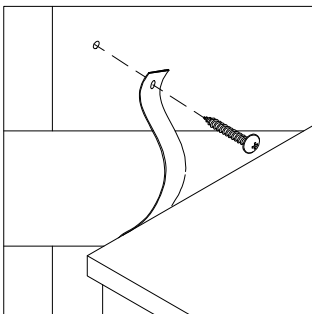
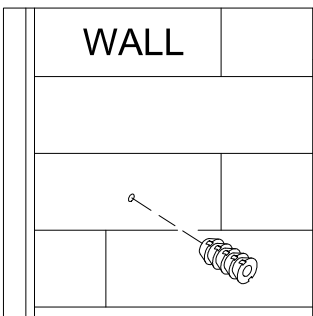
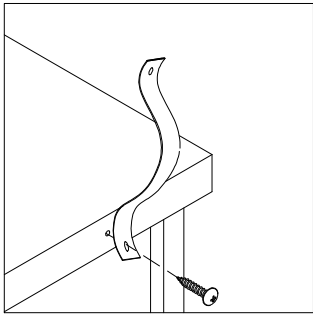
(both wheel are off the rails)



(one wheel is off the rail)

Assembly Instructions

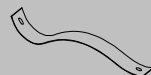
Step 19



V x 2



x 2



x 2



x 2