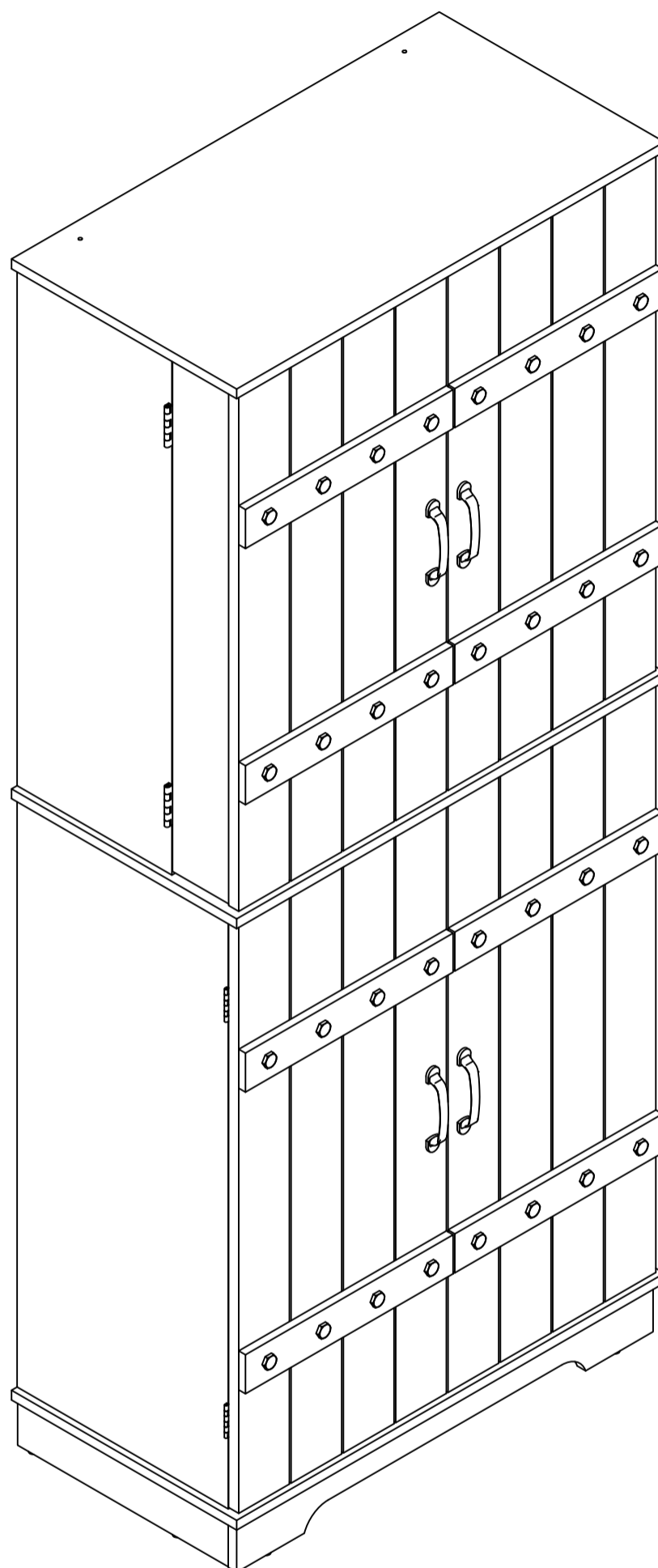


# Pantry

Assembly Instructions - Please keep for future reference



## Dimensions

Width - 29.9inch  
Depth - 15.7inch  
Height - 72.2inch

Any question please feel free to contact us:  
support@amer-life.com TEL:(901) 347-2181  
We will provide further assistance within 24 hours.

**Important – Please read these instructions fully before starting assembly**

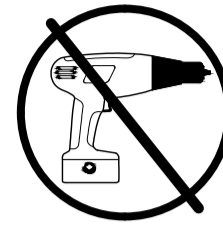


# Safety and Care Advice

**Important – Please read these instructions fully before starting assembly**

- Check you have all the components and tools listed on the following pages.
- Remove all fittings from the plastic bags and separate them into their groups.
- Keep children and animals away from the work area, small parts could choke if swallowed.
- Make sure you have enough space to layout the parts before starting.

- During assembly do not stand or put weight on the product, this could cause damage.
- Assemble the item as close to its final position (in the same room) as possible.
- Assemble on a soft level surface to avoid damaging the unit or your floor.
- Parts of the assembly will be easier with 2 people.



power drill is set on a low torque setting.

- To reduce the likelihood of damaging your product please ensure that your

## Care and maintenance

- Only clean using a damp cloth and mild detergent, do not use bleach or abrasive cleaners.
- From time to time check that there are no loose screws on this unit.
- This product should not be discarded with household waste. Take to your local authority waste disposal centre.

## Handy Hints

- Assemble all parts and bolts loosely during assembly, only once the product is complete should you fully tighten the bolts
- Regularly check and ensure That all bolts and fittings are tightend properly.

## **WARNING** In order to help prevent overturning – please follow these instructions

To help prevent product toppling over please follow the below steps:-

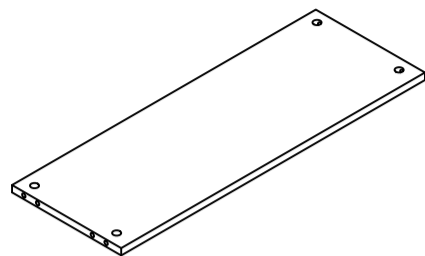
Use the anti tip stap or wall fixing method provided (if applicable)  
Do not allow children to climb or hang on the furniture  
Do not open more than one drawer at a time  
Do not place heavy items in the top drawers  
Do not place heavy items on top of the furniture, unless the furniture has been designed for this purpose

please note that only the anti tip strap is provided.

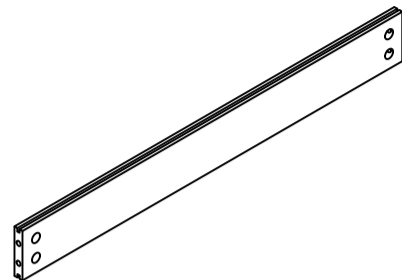
You will need to provide wall plugs and screws applicable for your wall type

# Components - Panels

Please check you have all the panels listed below



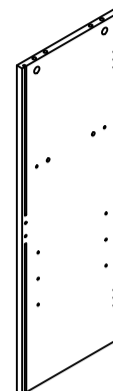
1 (710X255X15mm)X1



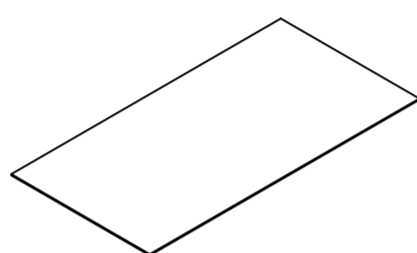
2 (710X80X15mm)X2



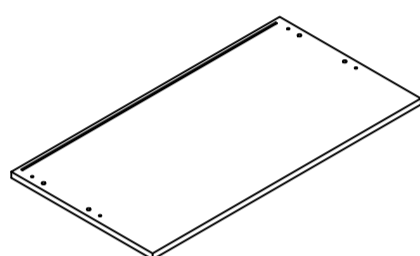
3 (800X275X15mm)X1



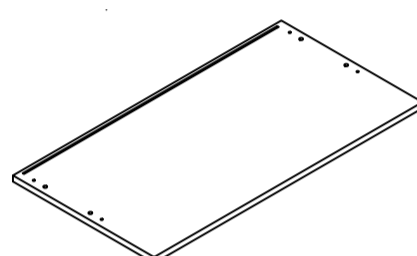
4 (800X275X15mm)X1



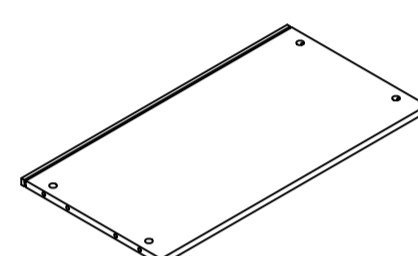
5 (720X370X2.7mm)X2



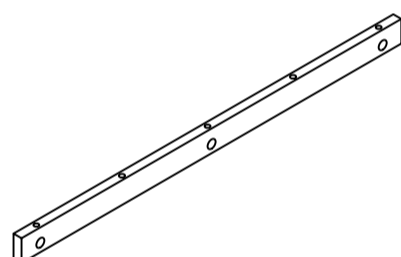
6 (760X400X15mm)X1



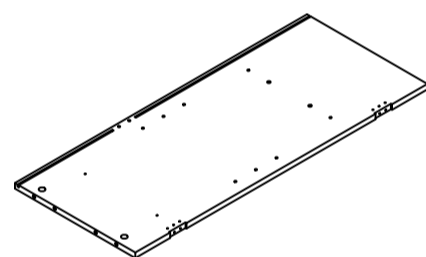
7 (760X400X15mm)X1



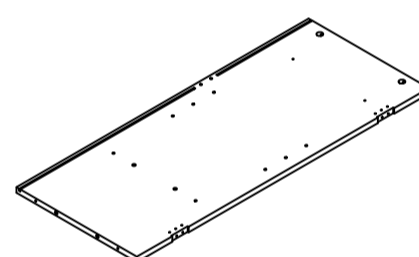
8 (710X373X15mm)X1



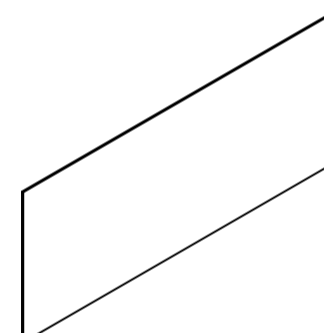
9 (710X40X15mm)X1



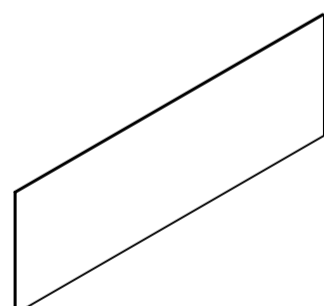
10 (910X375X15mm)X1



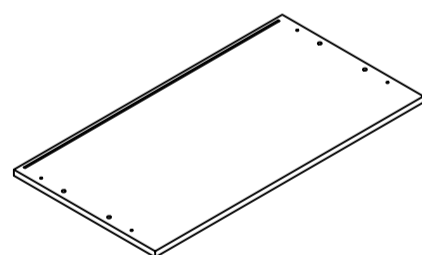
11 (910X375X15mm)X1



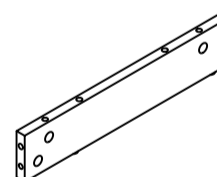
12 (720X300X2.7mm)X2



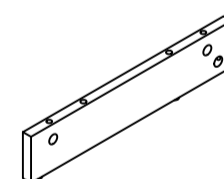
13 (720X245X2.7mm)X1



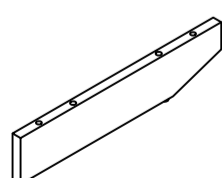
14 (760X400X15mm)X1



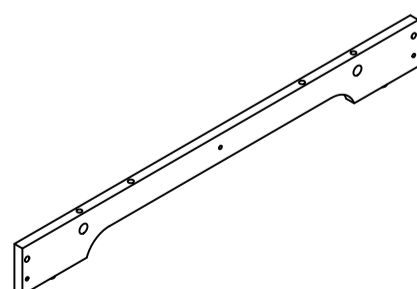
15 (375X75X15mm)X1



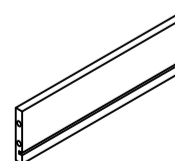
16 (375X75X15mm)X1



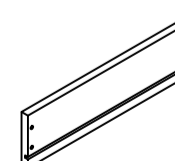
17 (375X75X15mm)X1



18 (740X75X15mm)X1



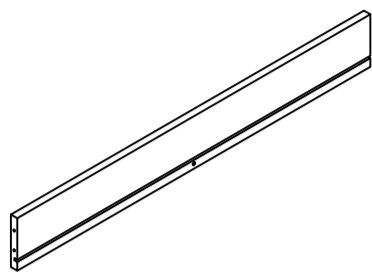
19 (300X85X12mm)X1



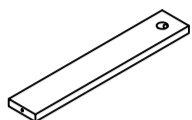
20 (300X85X12mm)X1

# Components - Panels

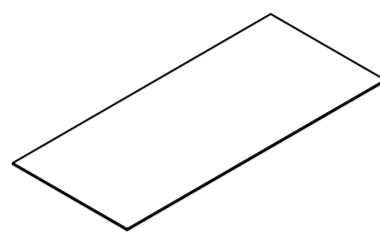
Please check you have all the panels listed below



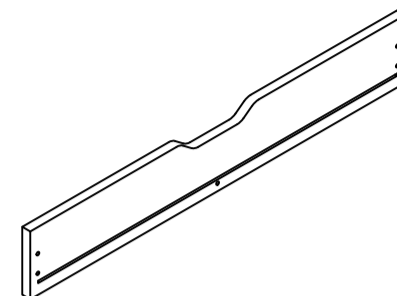
21 (660X85X12mm)X1



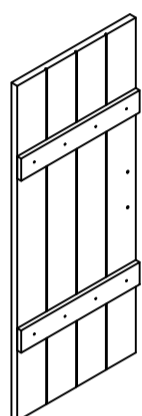
22 (287X50X12mm)X1



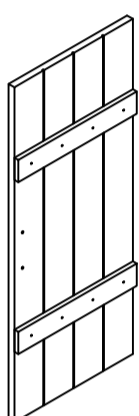
23 (670X297X2.7mm)X1



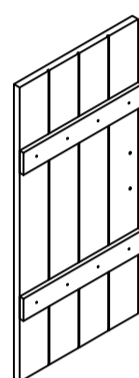
24 (698X110X15mm)X1



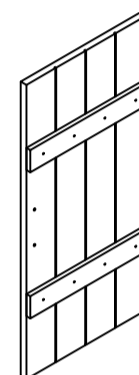
25 (904X369X30mm)X1



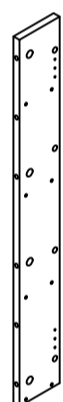
26 (904X369X30mm)X1



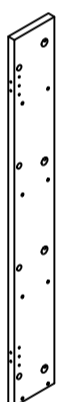
27 (794X369X30mm)X1



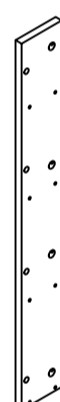
28 (794X369X30mm)X1



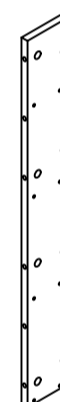
29 (791X100X15mm)X1



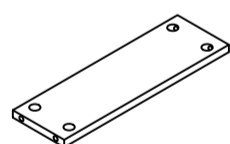
30 (791X100X15mm)X1



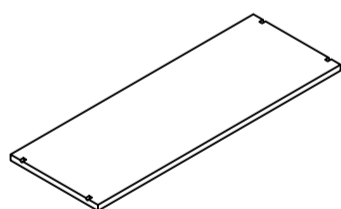
31 (791X100X15mm)X1



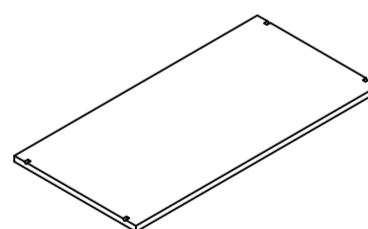
32 (791X100X15mm)X1



33 (308X96X12mm)X8



34 (709X255X15mm)X1



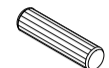
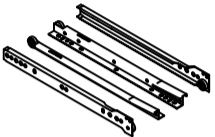
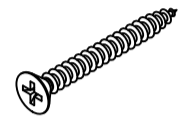


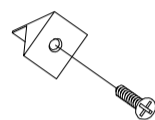
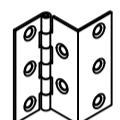
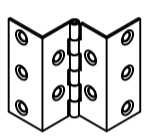

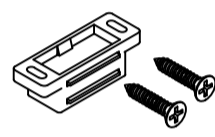

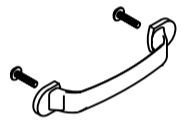


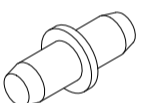
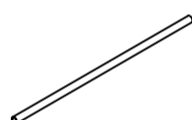


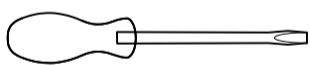
35 (709X355X15mm)X1

# Components - Fittings

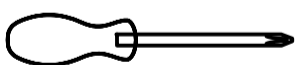
Please check you have all the hardware listed below

**Note:** The quantities below are the correct amount to complete the assembly. In some cases more fittings may be supplied than are required.

<b>A</b>  Male Camlock x 91	<b>B</b>  Female Camlock x 91	<b>C</b>  Dowel x 44
<b>D</b>  Drawer slider 12"x 1	<b>E</b>  5*45mm Screw x 8	<b>F</b>  3*14mm Screw x 80
<b>G</b>  4*30mm Screw x 5	<b>H</b>  Back Panel Stiffener x 20	<b>I</b>  x 4
<b>J</b>  x 4	<b>K</b>  x 32	<b>L</b>  Magnet Touch x 2
<b>M</b>  x 4	<b>N</b>  Handle & Fixings x 4	<b>O</b>  Wall Fixing Pack x 2
<b>P</b>  Protective Feet x 8	<b>Q</b>  Shelf Support Pin x 8	<b>R</b>  x 8

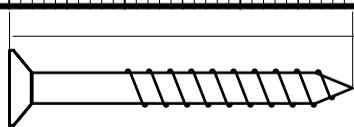
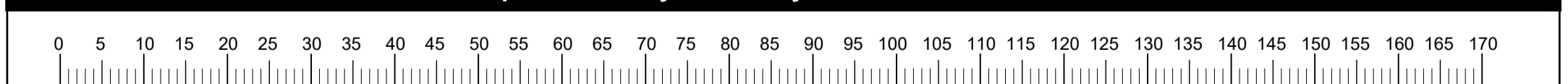


## Tools required



Phillips screwdriver  
(medium & large)

## Ruler - Use this ruler to help correctly identify the screws



The screws length is measured from the head to the point (30mm screw shown).

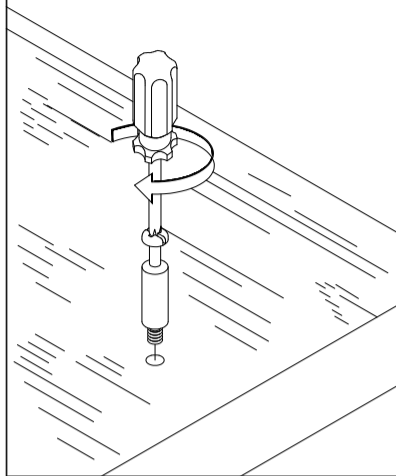
# Using Camlocks

## Step 1

Connect the male camlock as directed in the assembly instructions using a screwdriver.

1

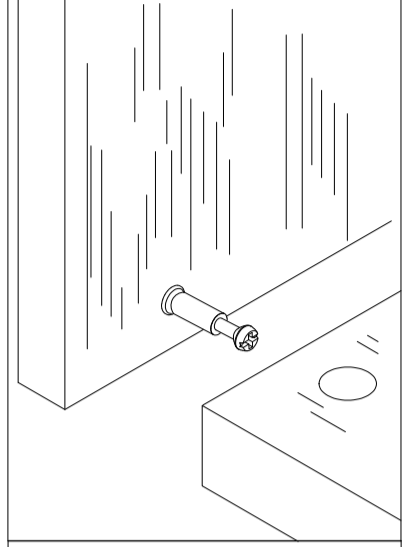
DO NOT OVER TIGHTEN.  
NE PAS SERRER EXCESSIVEMENT.



## Step 2

Push the male camlock into the entry hole.

2

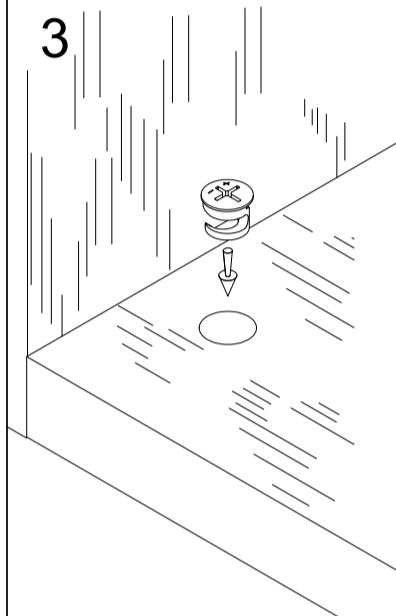


## Step 3

Insert the female camlock as shown in the instruction.

Note: ensure that the arrow on the top of the camlock points towards the entry hole for the male camlock.

3



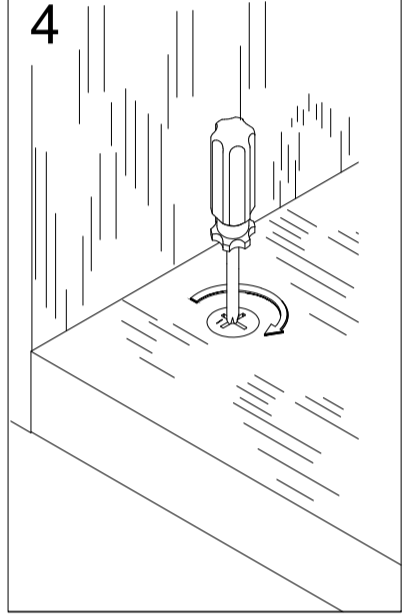
## Step 4

Turn the female camlock clockwise with a screwdriver.

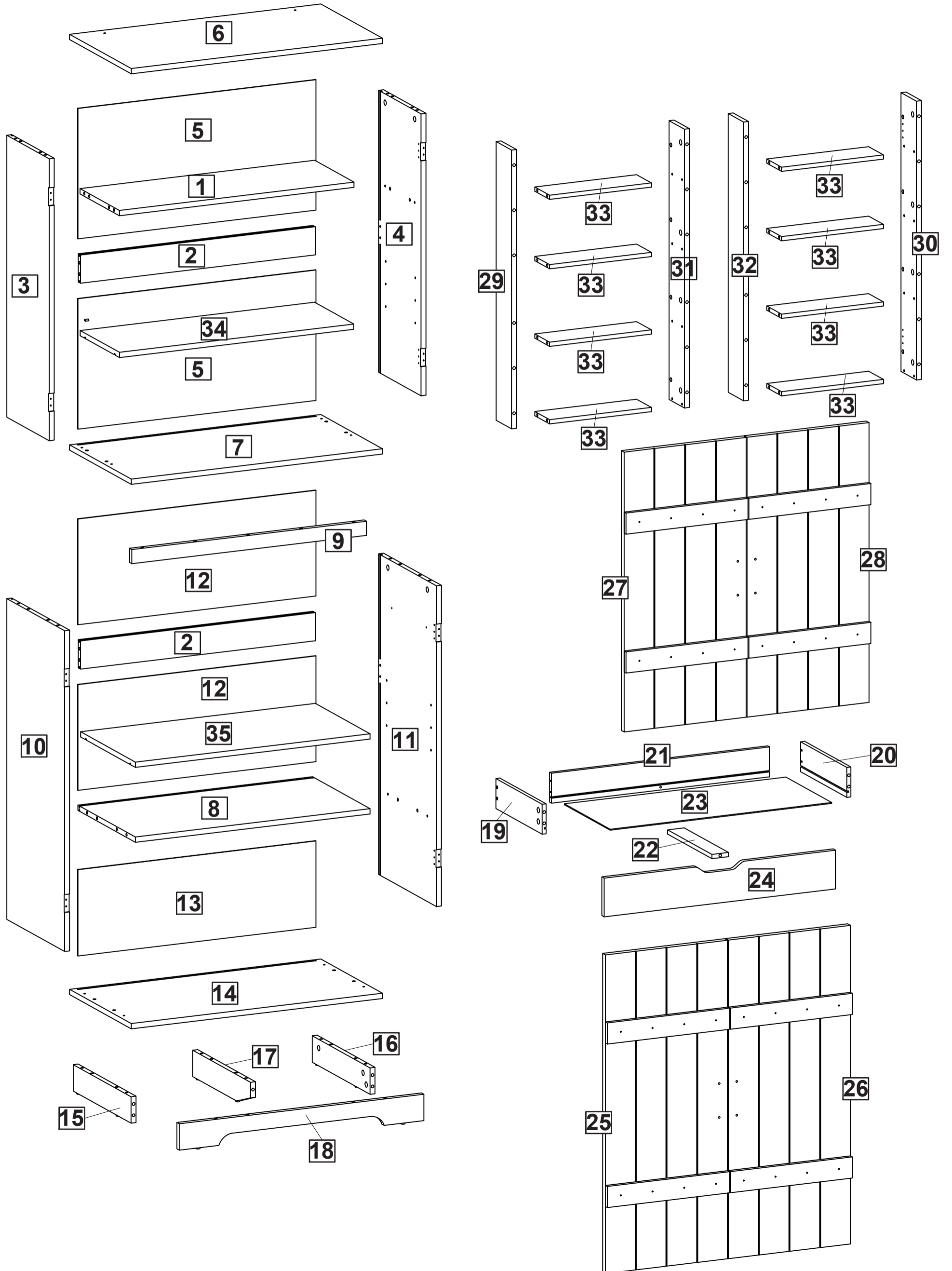
You should feel a click when the camlock is locked in place.

The joint is now secure.

4

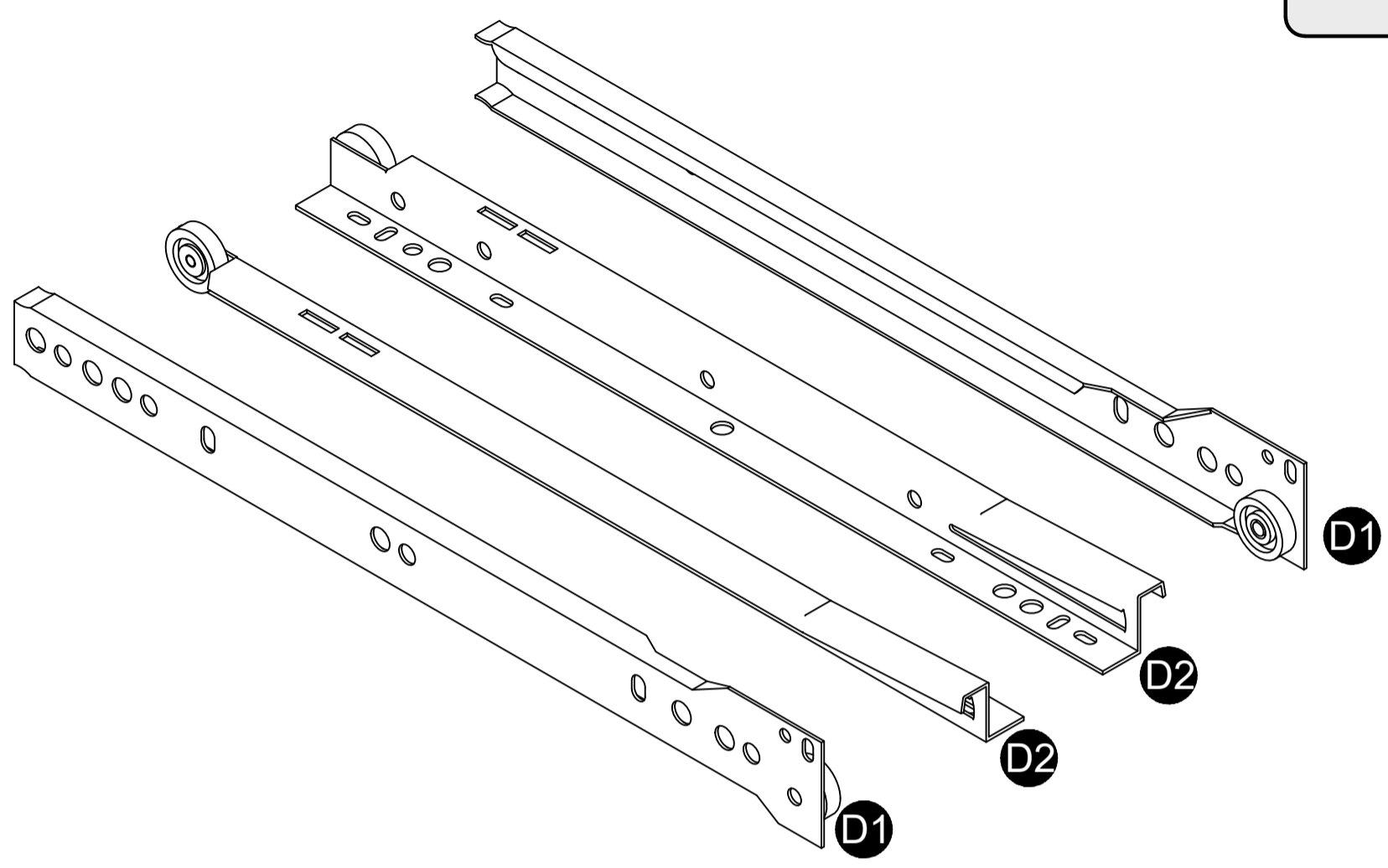
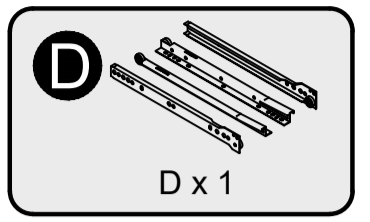


# Assembly Instructions

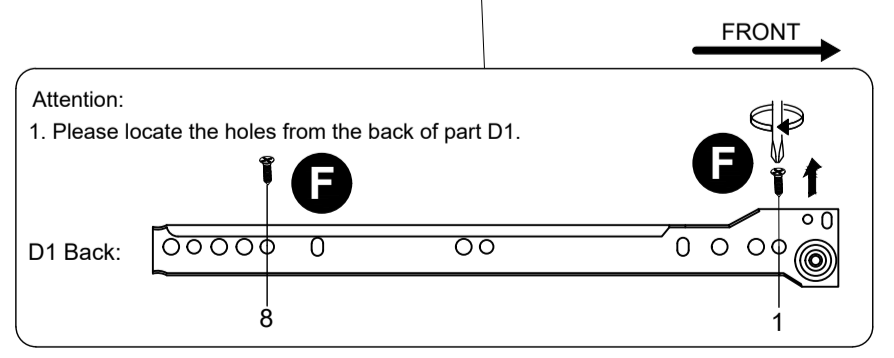
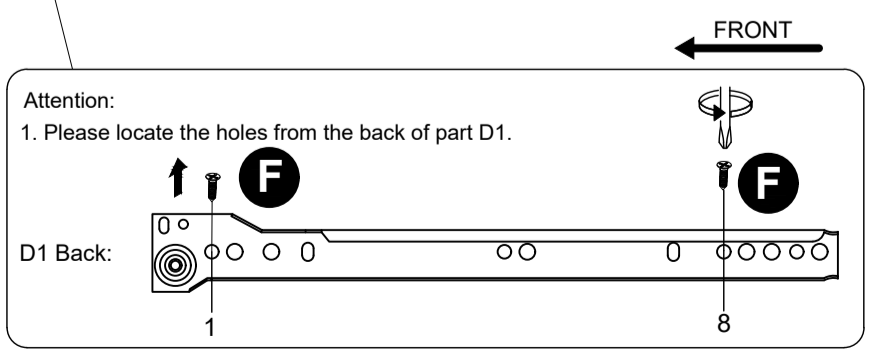
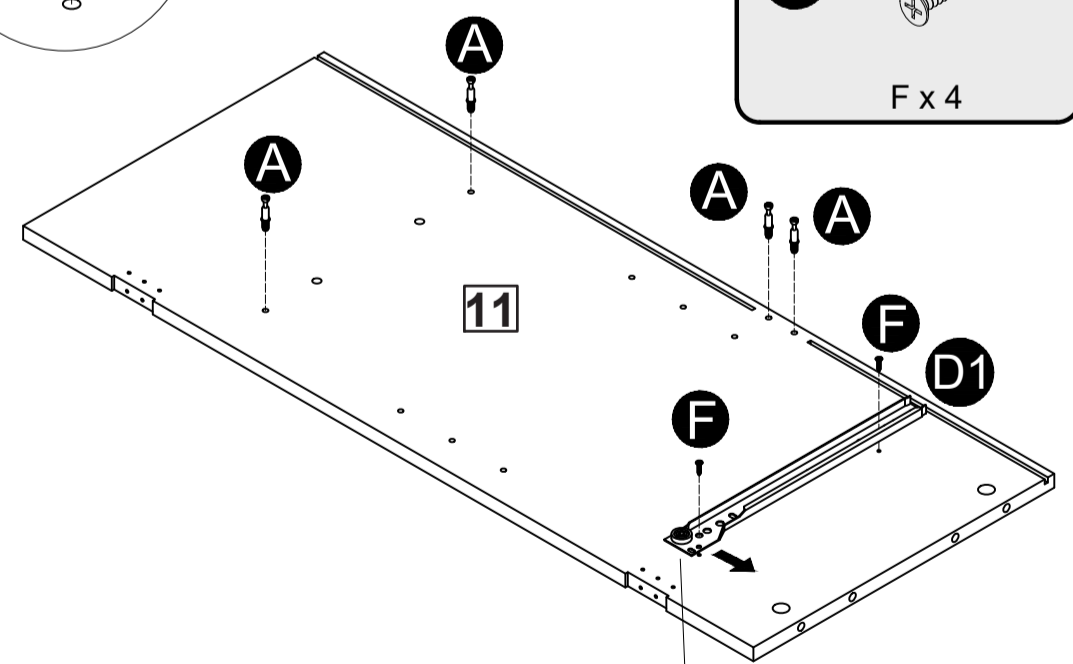
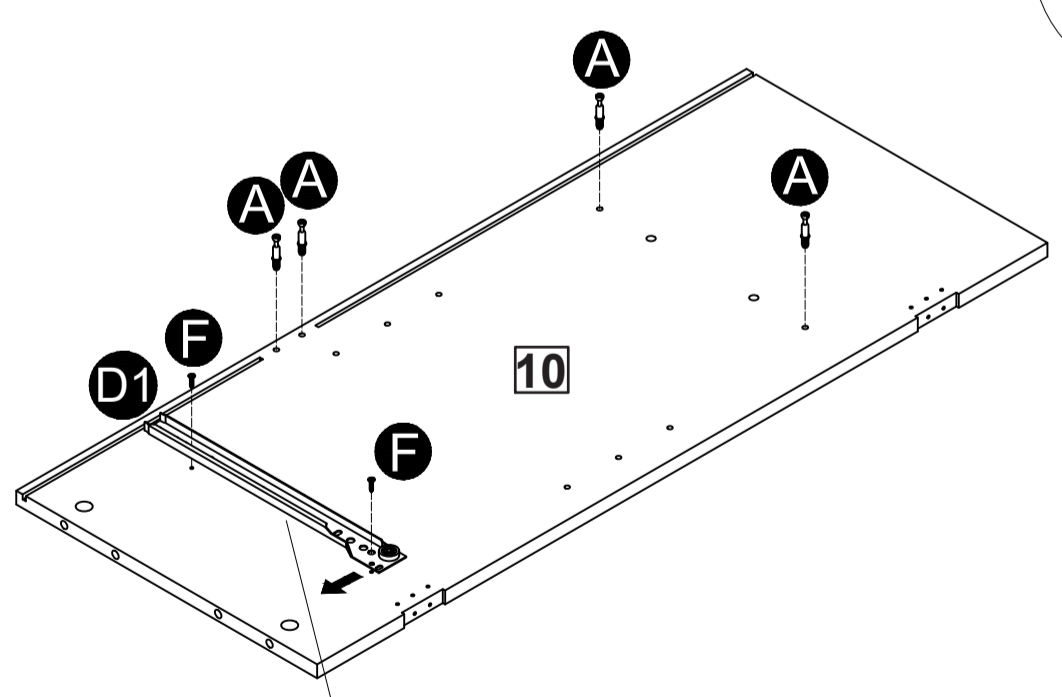
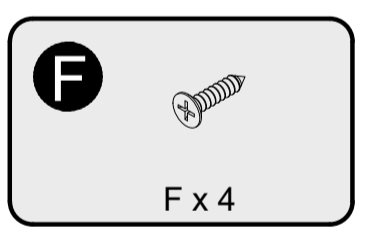
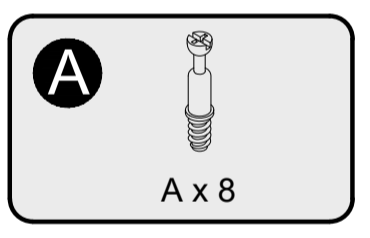
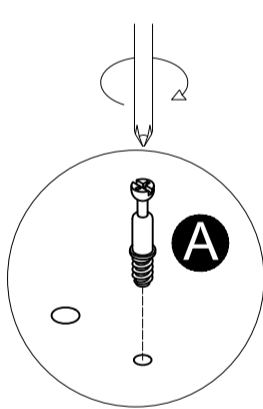


# Assembly Instructions

## Step 1



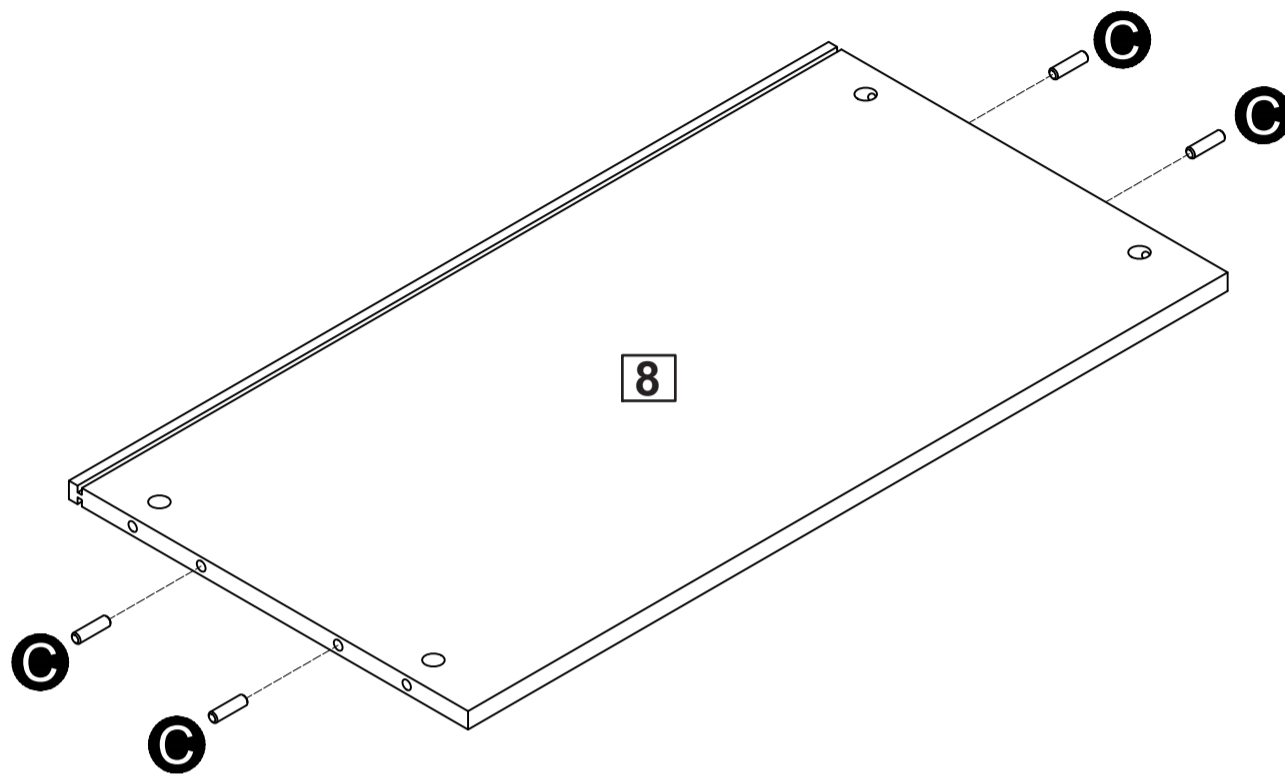
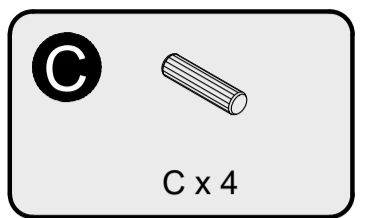
## Step 2



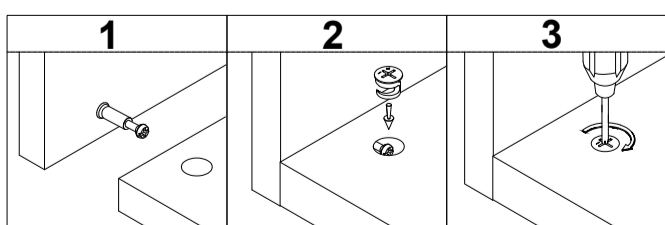
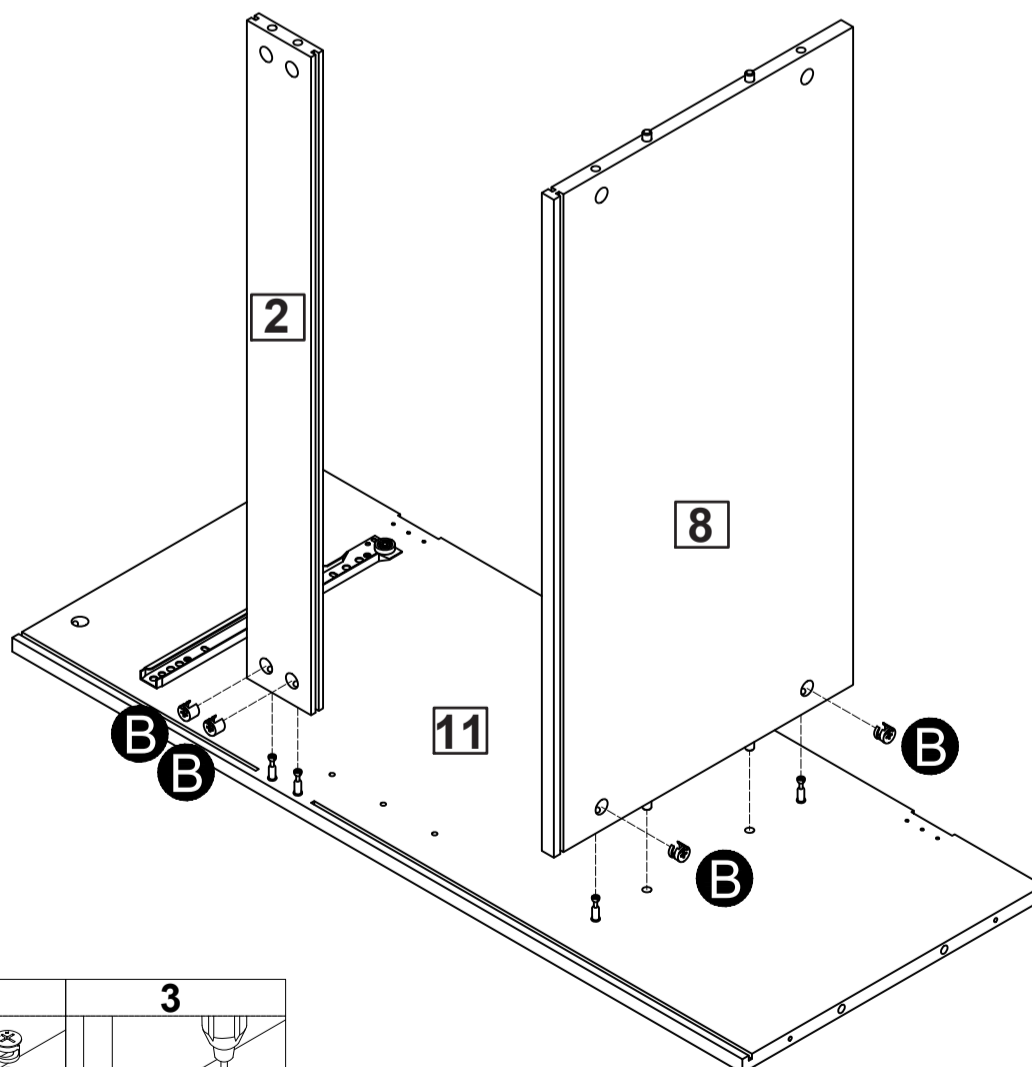


# Assembly Instructions

## Step 3

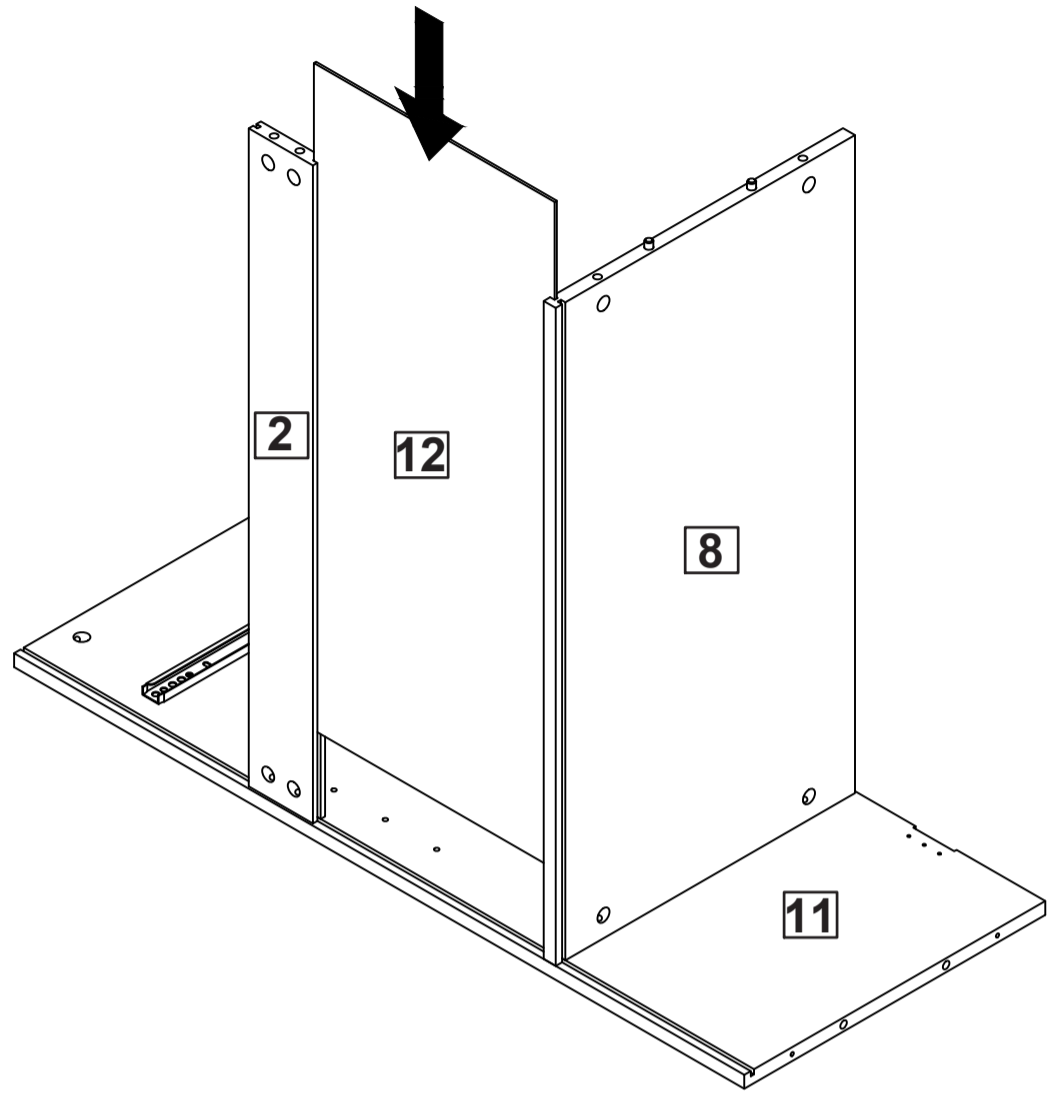


## Step 4




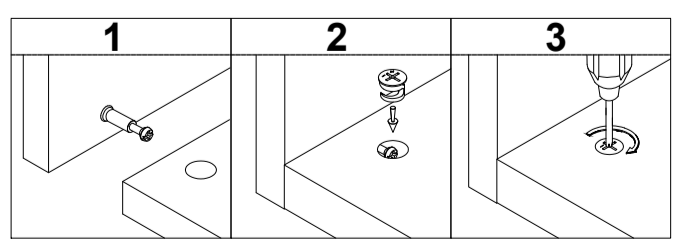
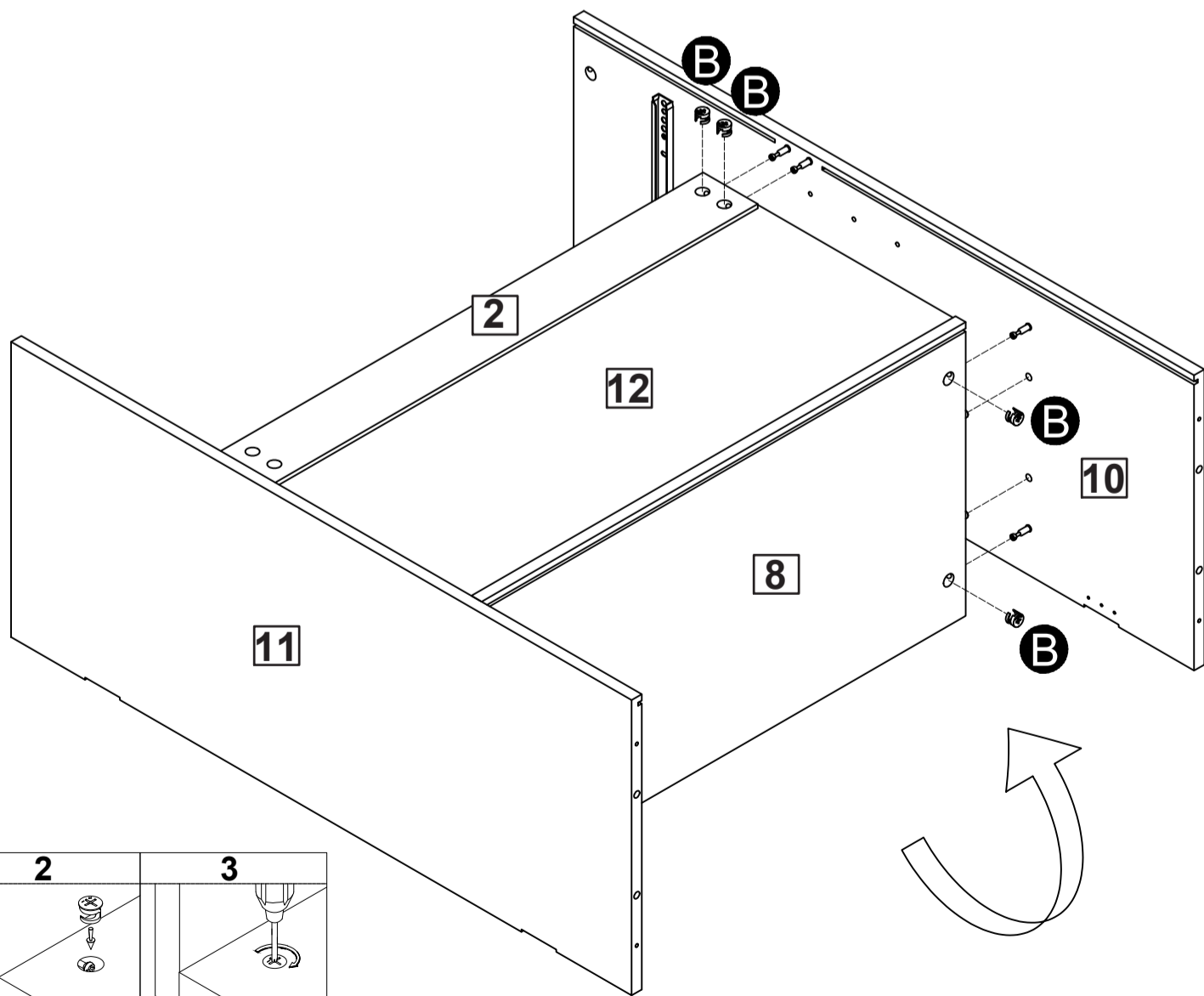
# Assembly Instructions

## Step 5



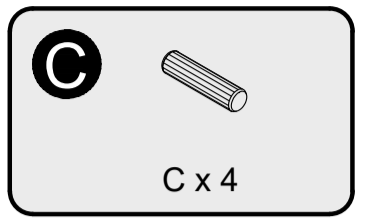
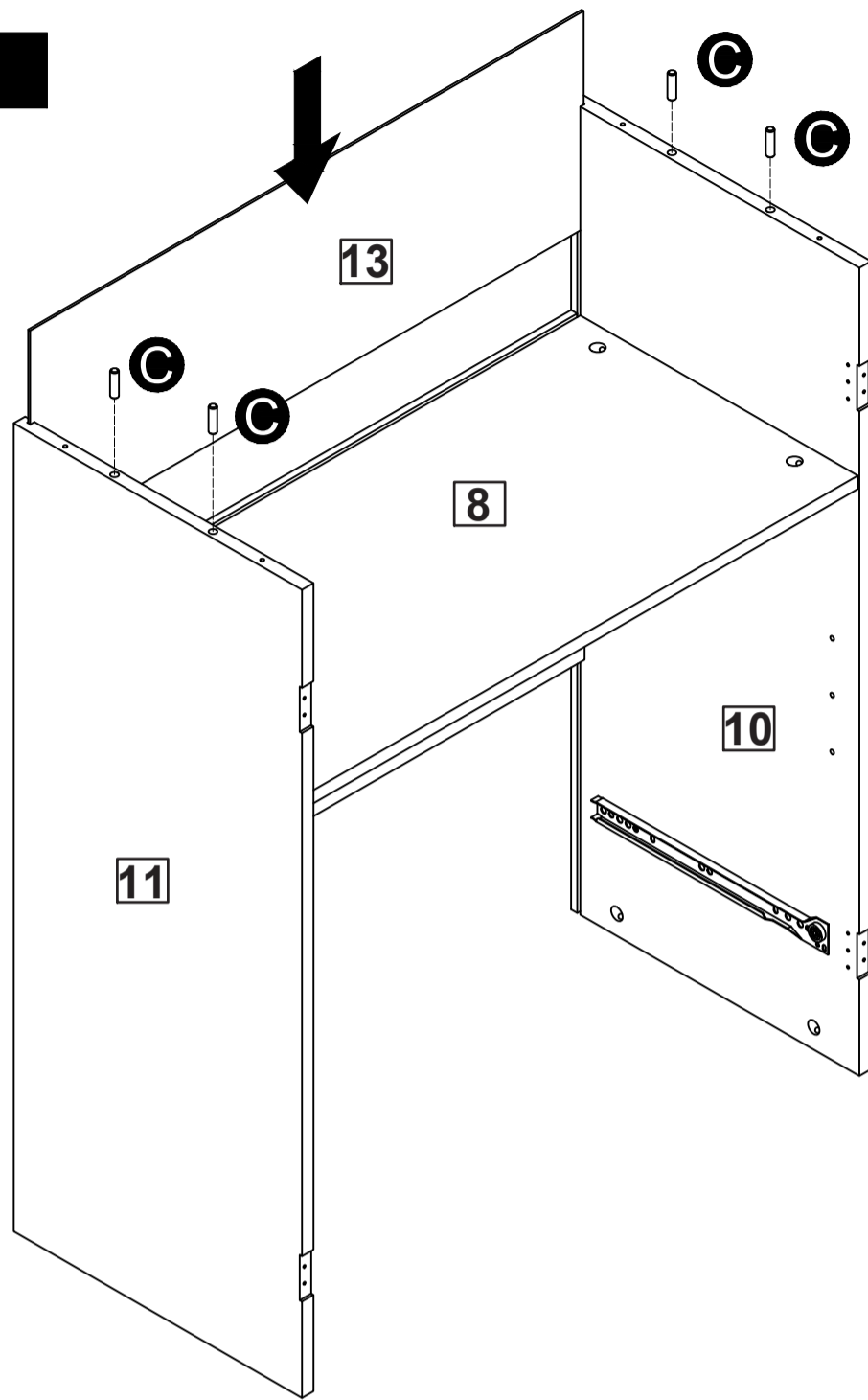
## Step 6

**B**   
B x 4

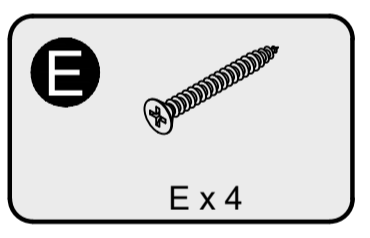
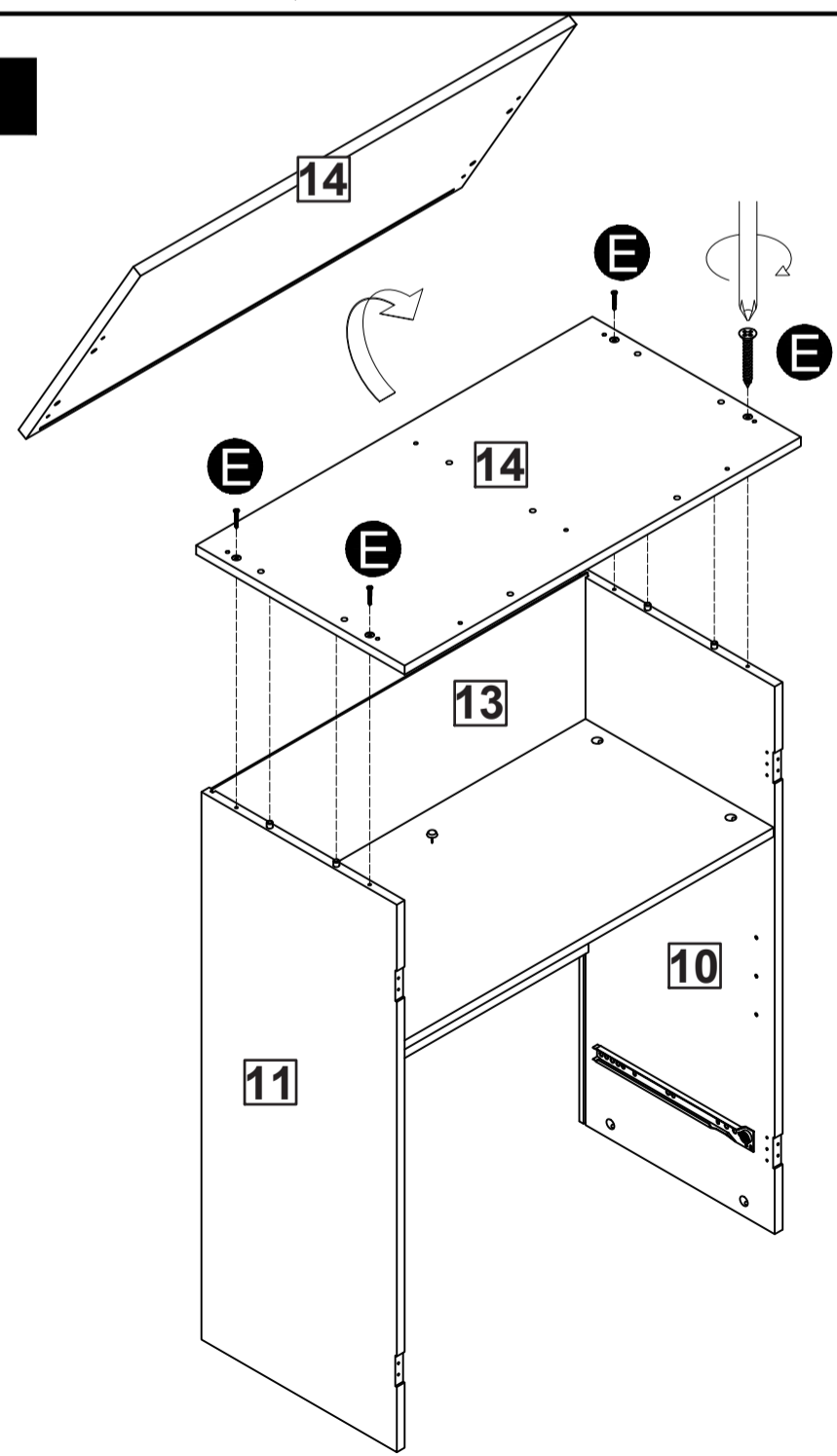


# Assembly Instructions

## Step 7

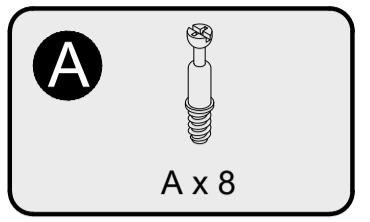
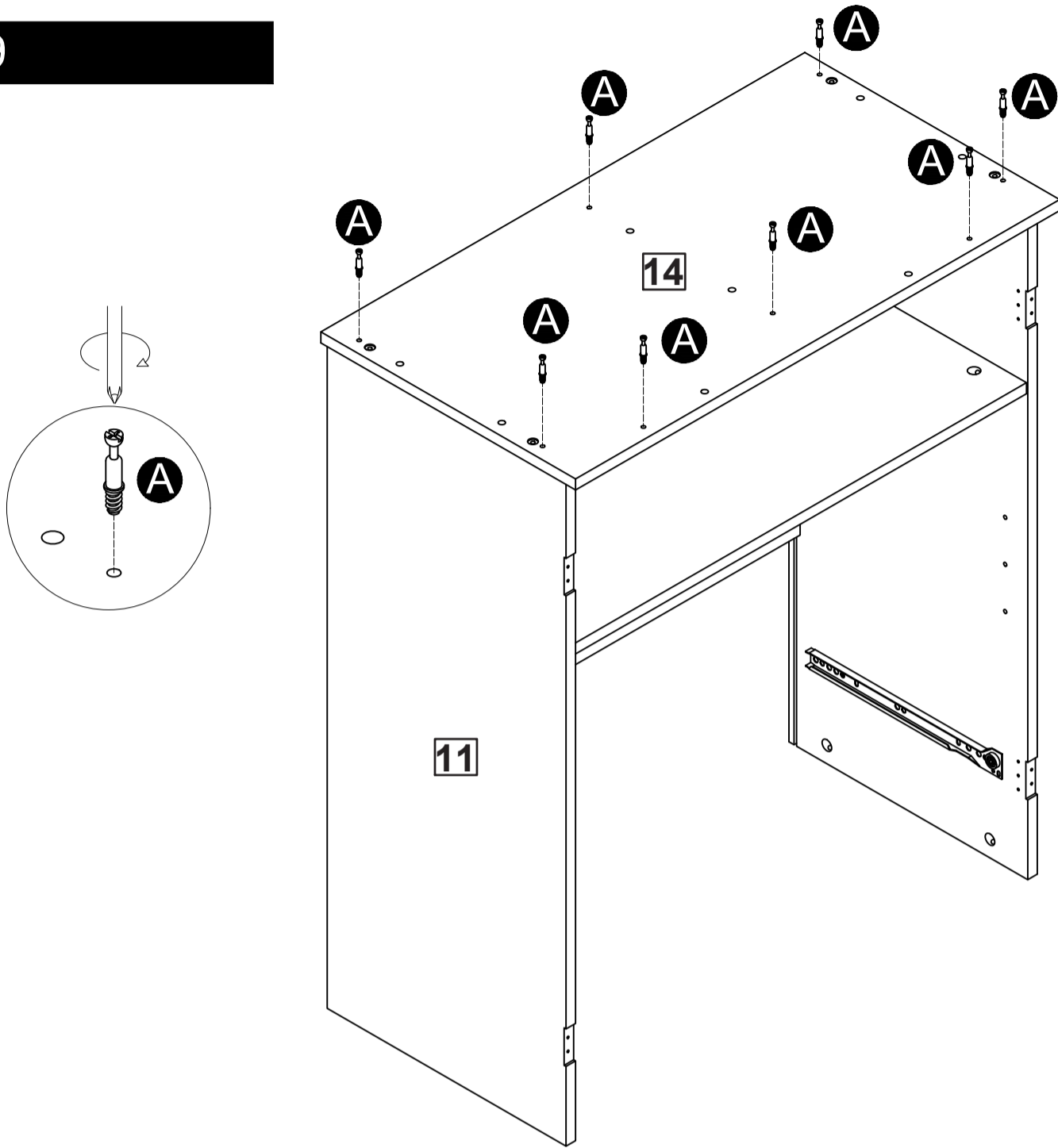


## Step 8

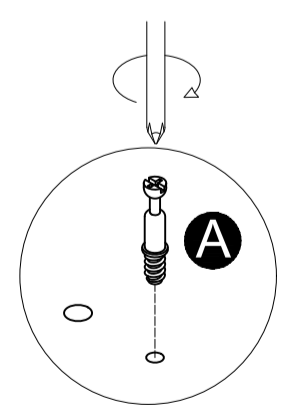
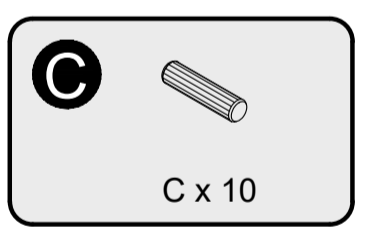
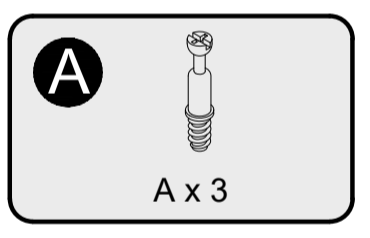
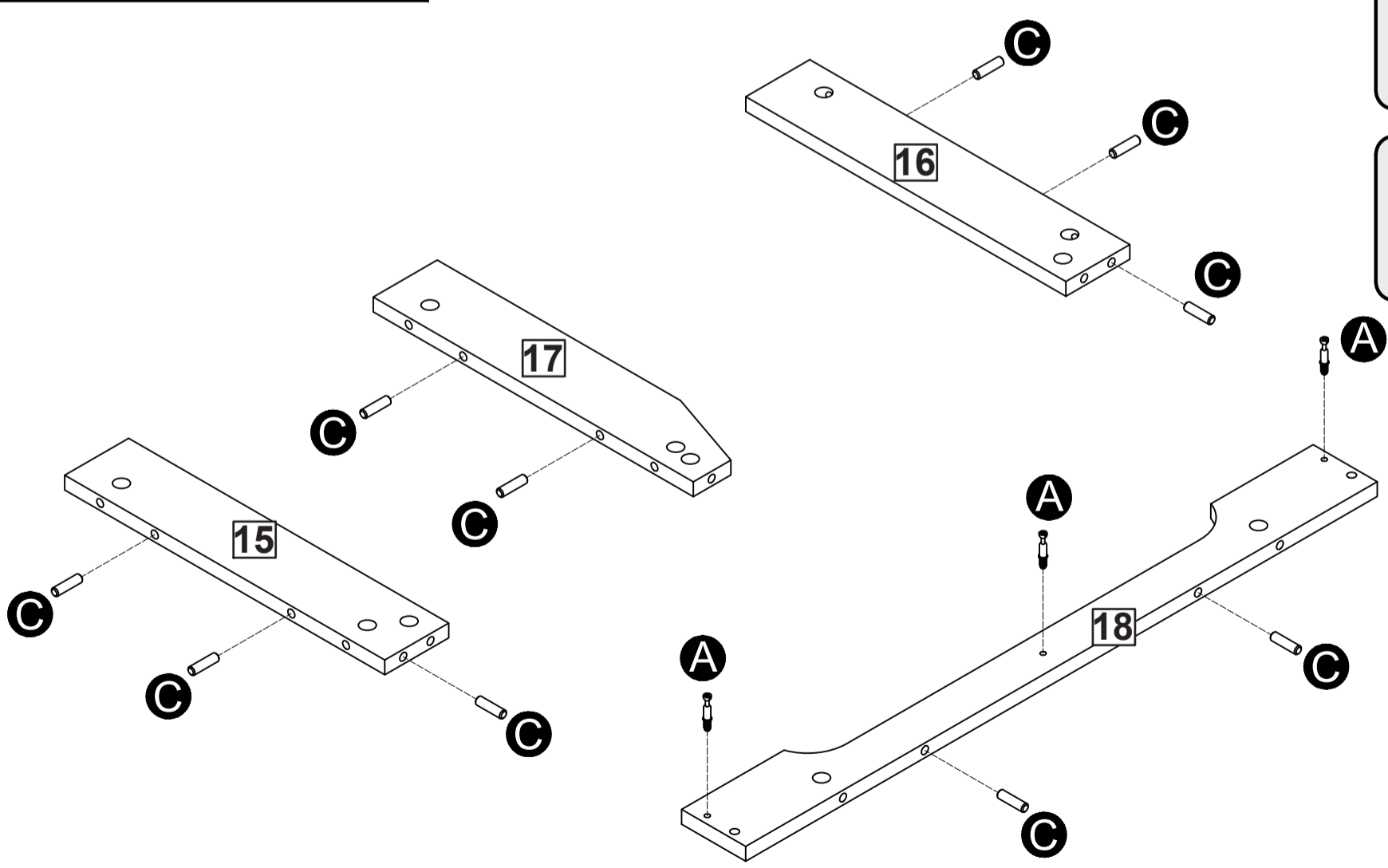


# Assembly Instructions

## Step 9



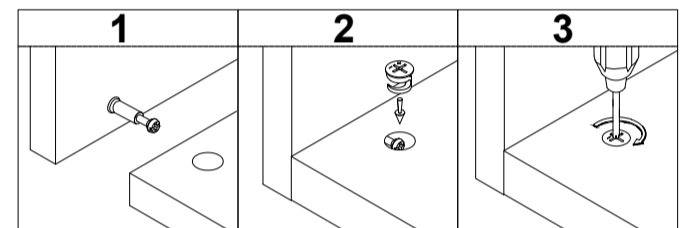
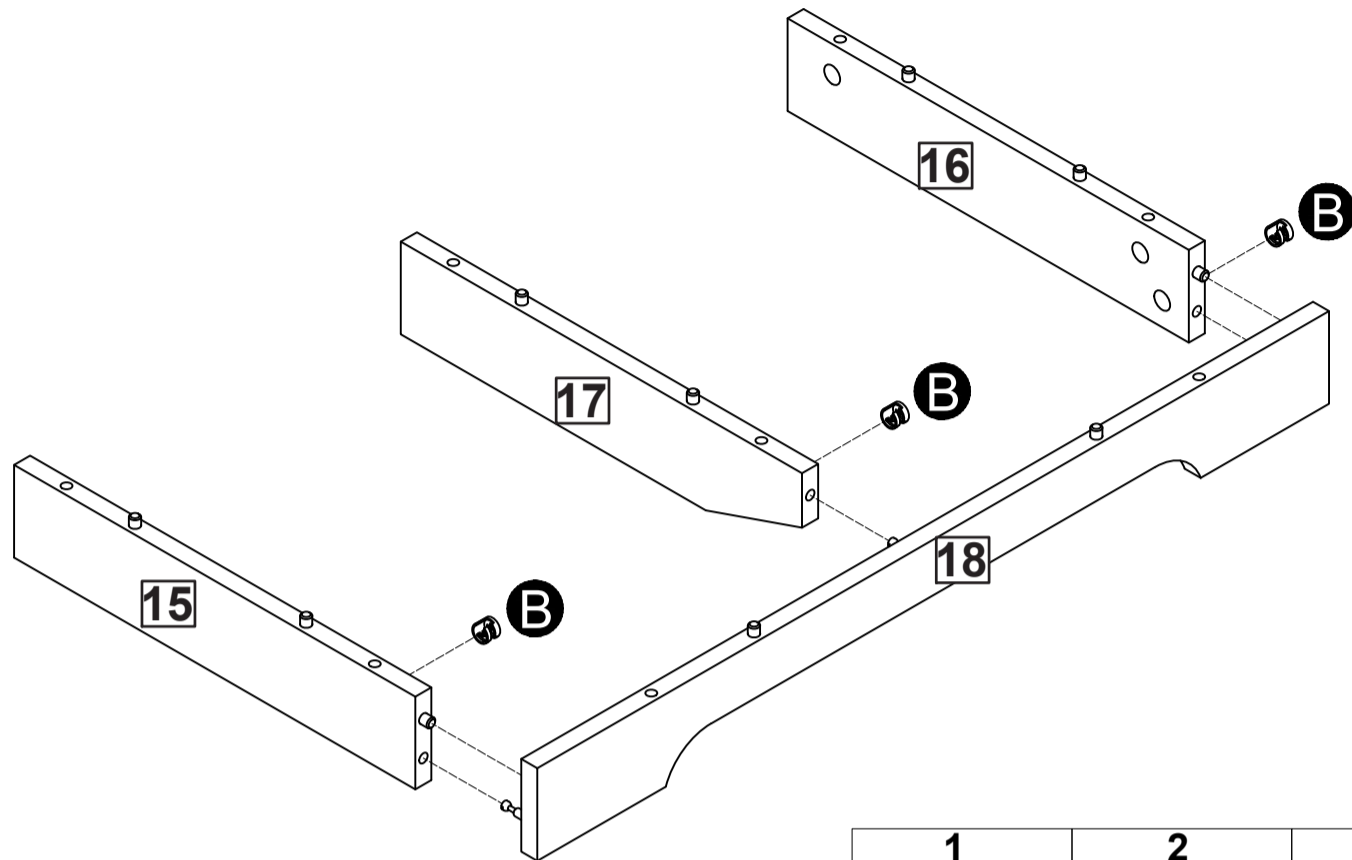
## Step 10



# Assembly Instructions

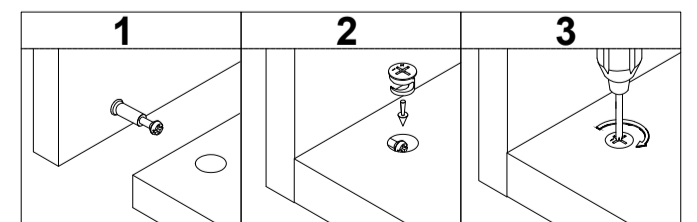
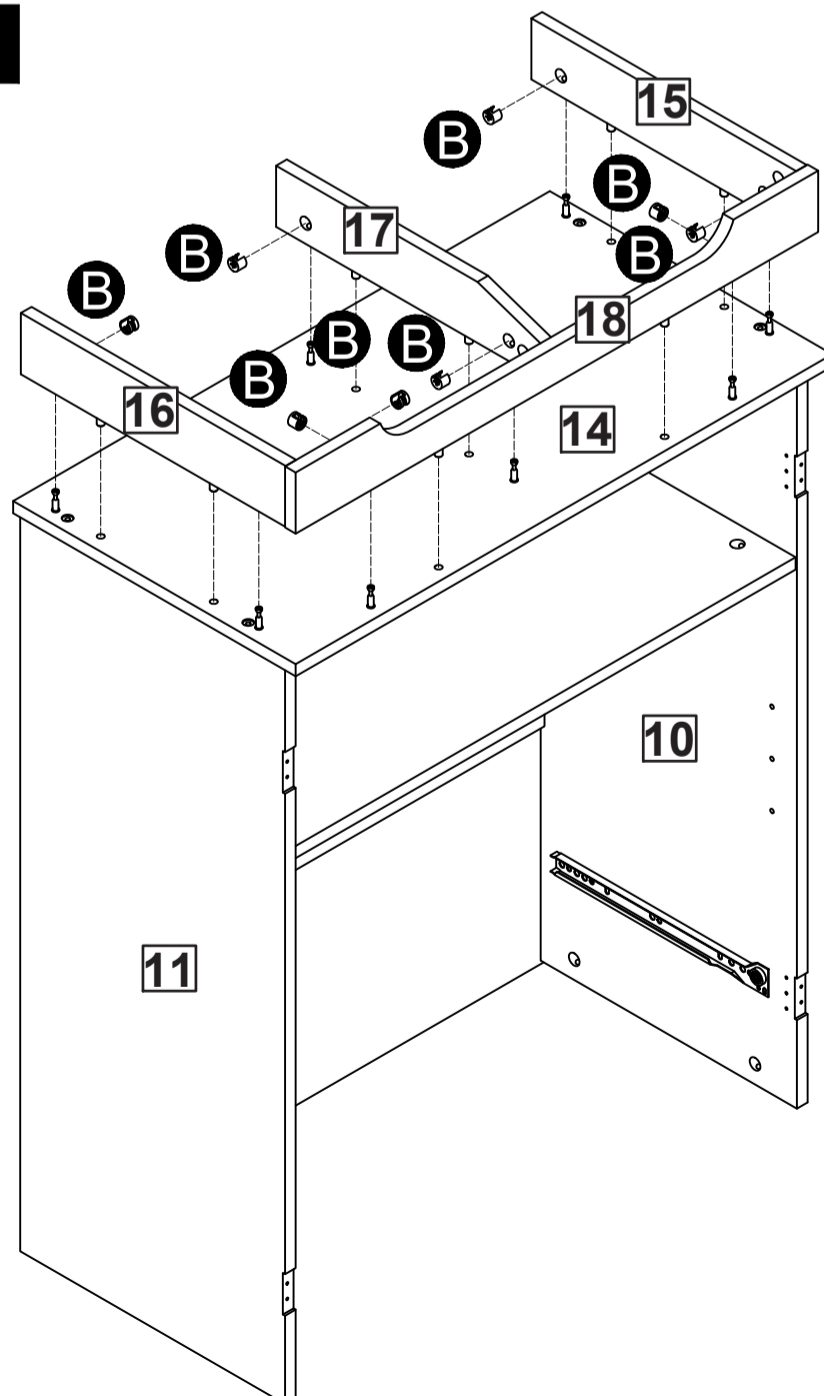
## Step 11

**B**   
B x 3



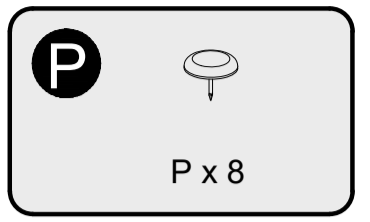
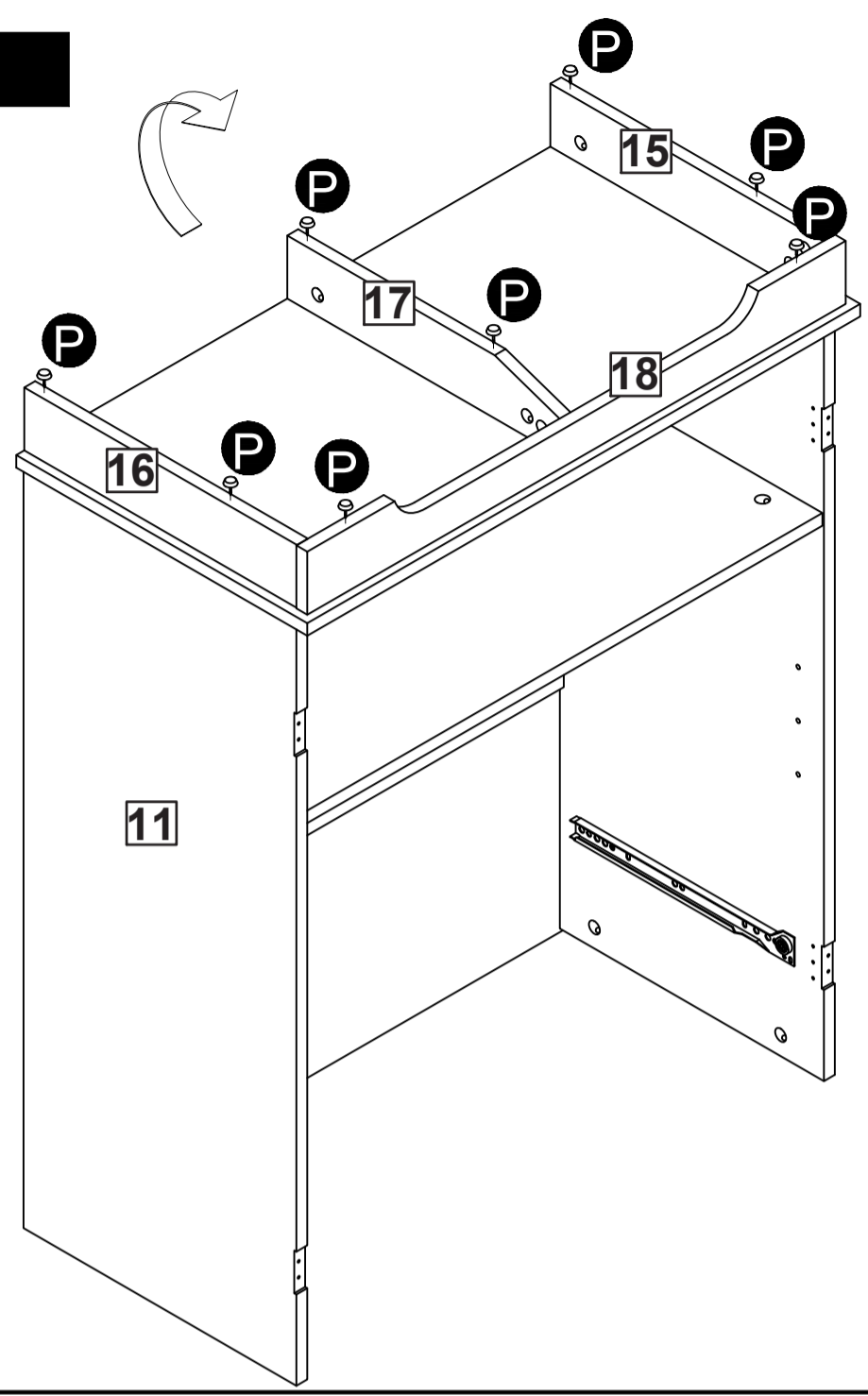
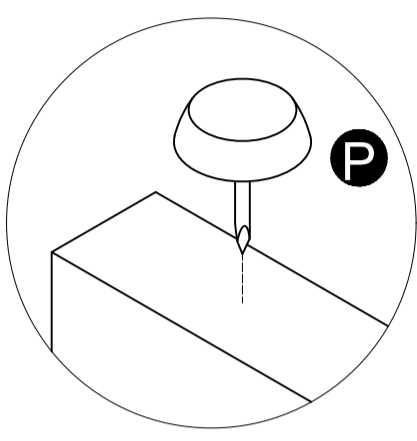
## Step 12

**B**   
B x 8

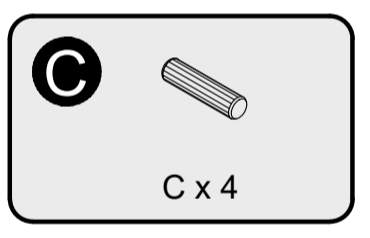
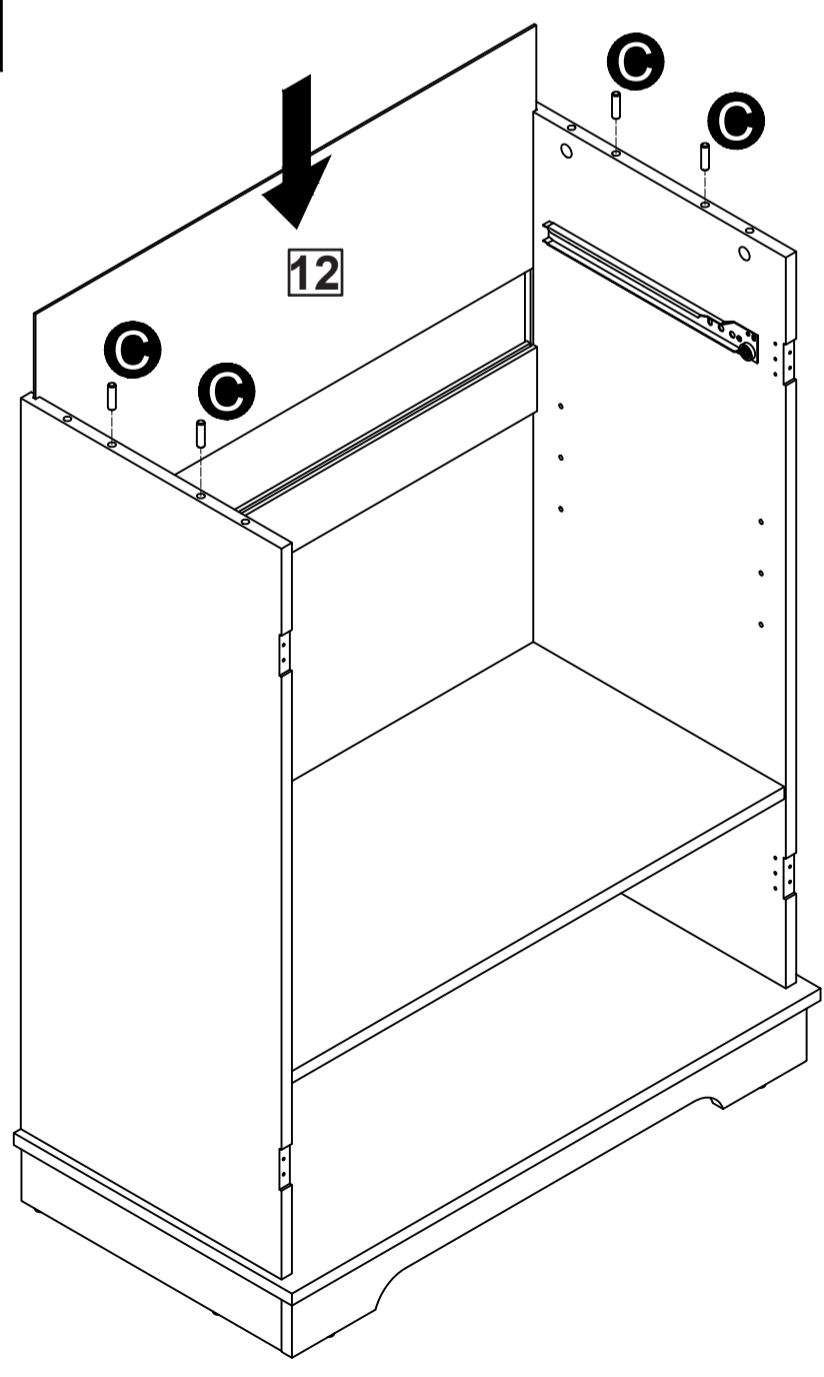


# Assembly Instructions

## Step 13

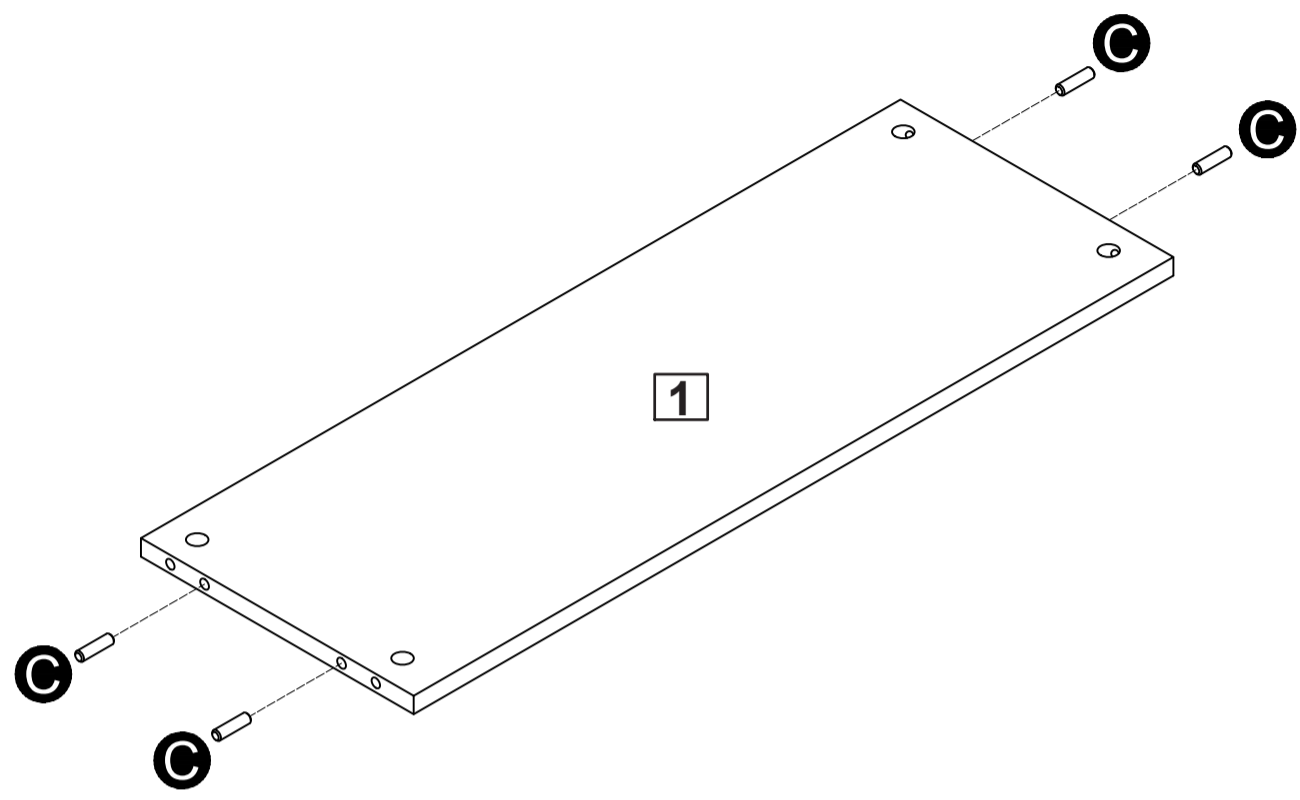
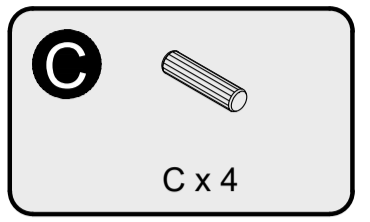


## Step 14

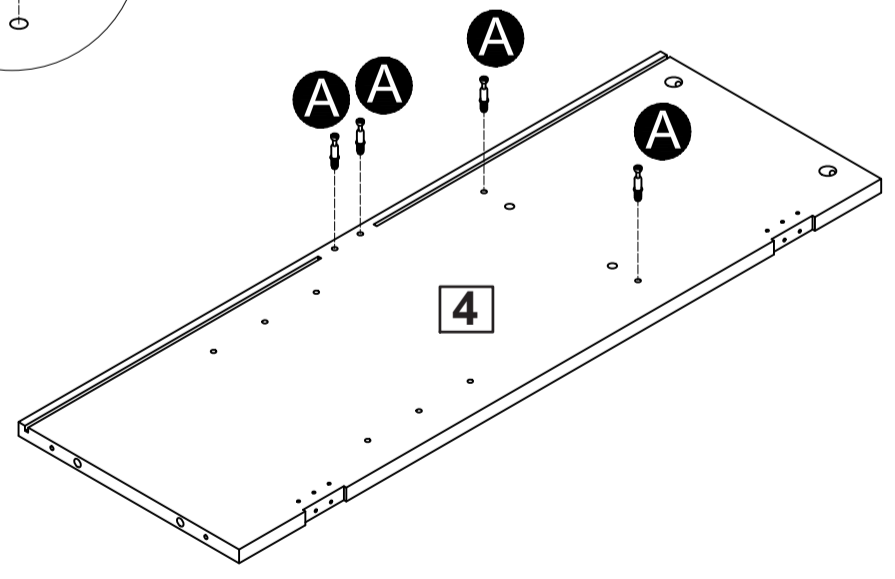
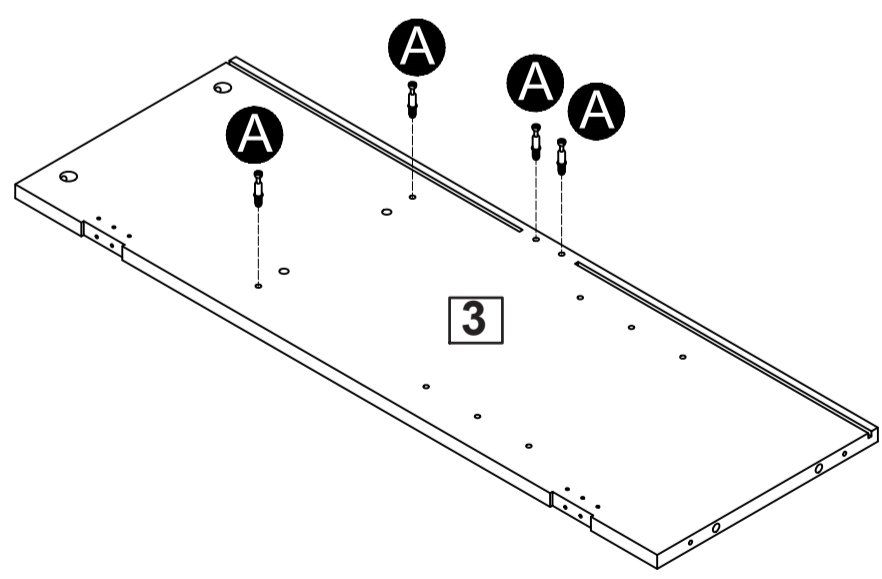
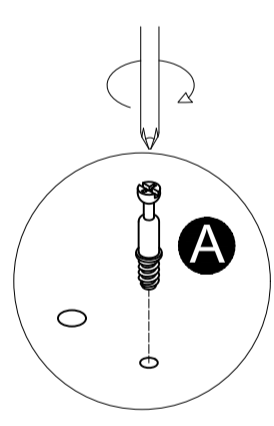
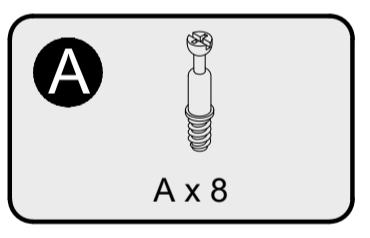


# Assembly Instructions

## Step 15




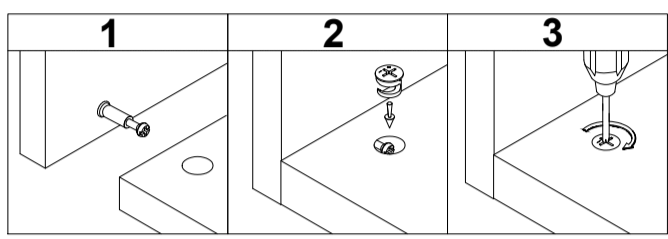
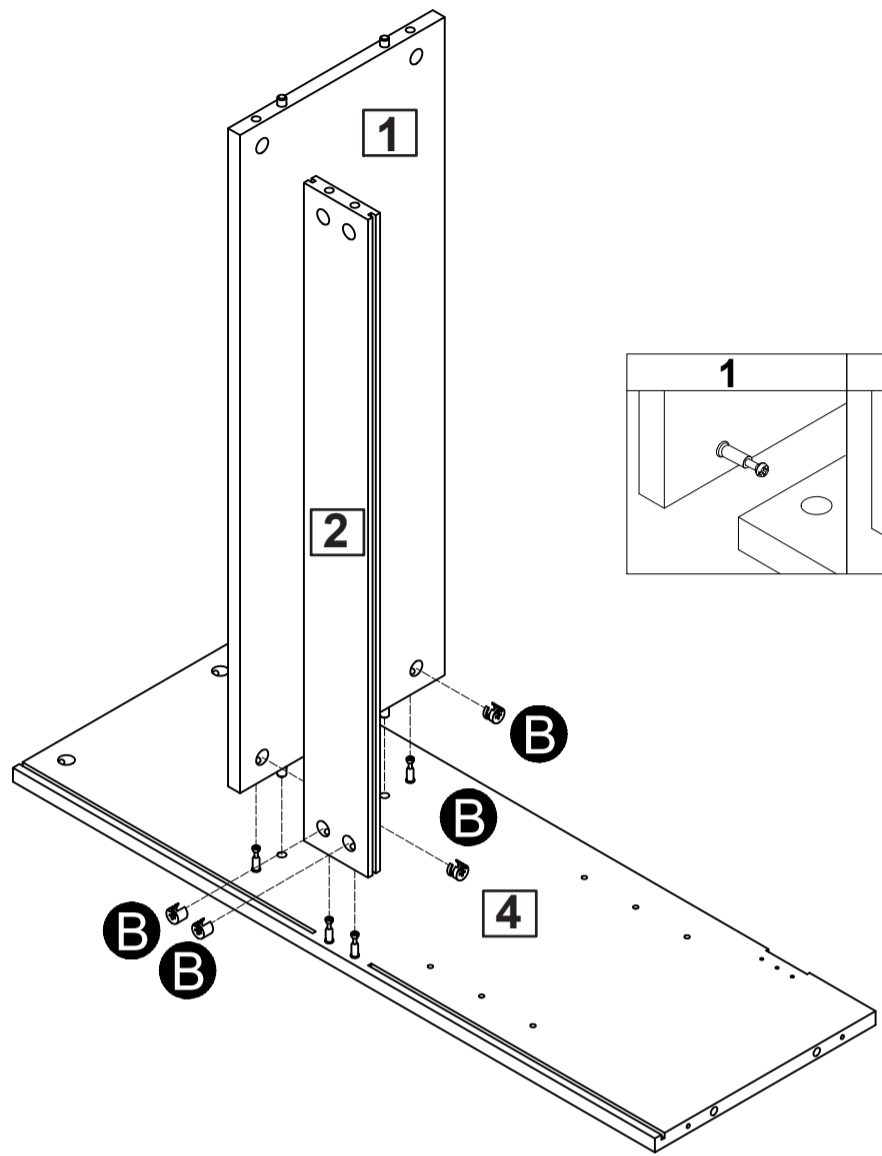
## Step 16




# Assembly Instructions

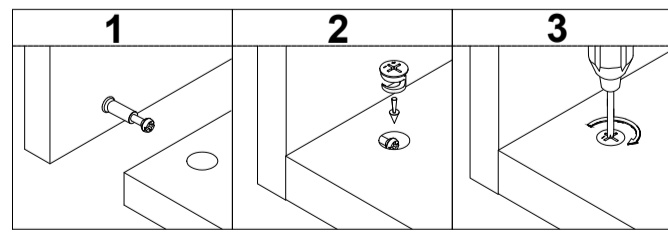
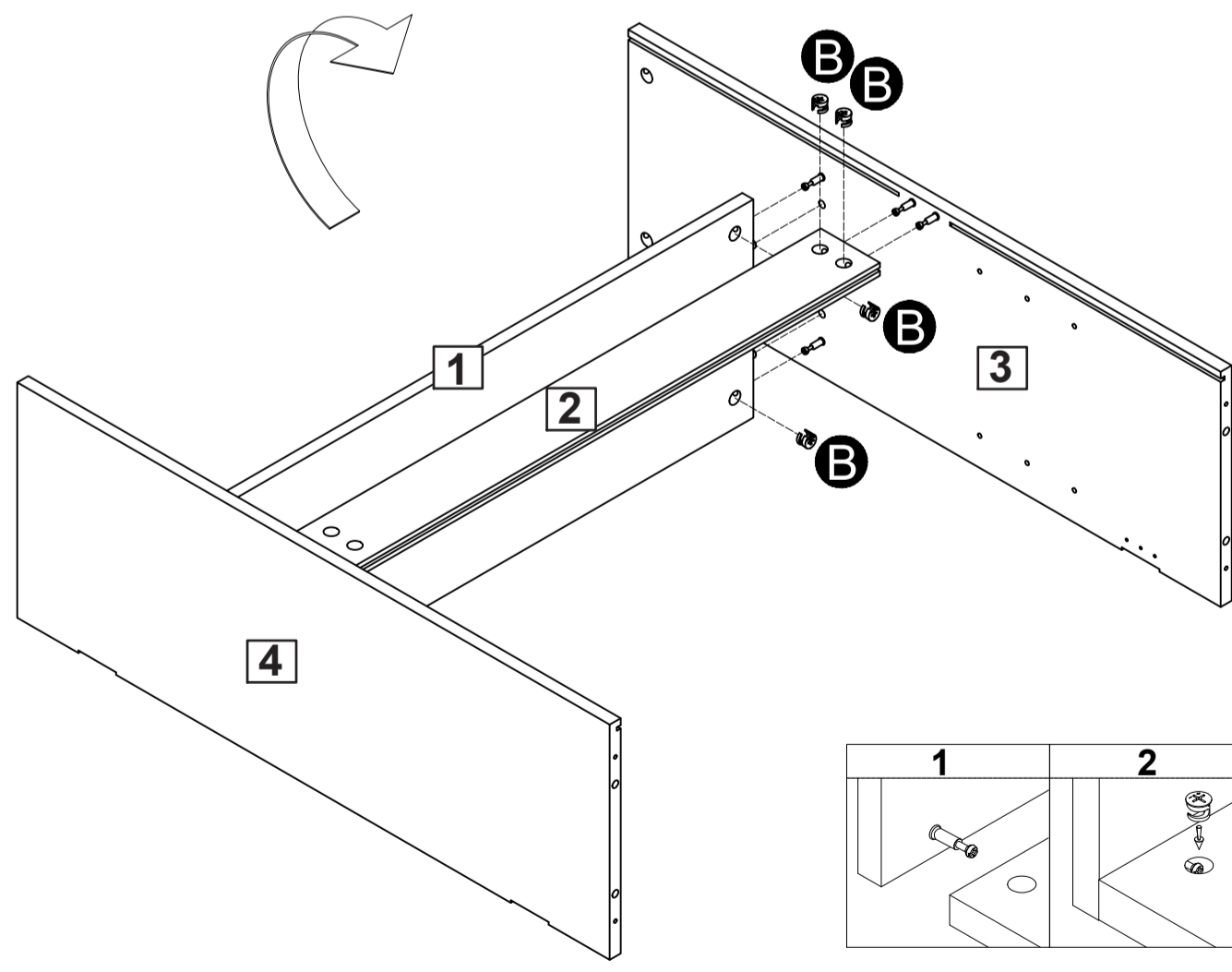
## Step 17

**B**   
B x 4



## Step 18

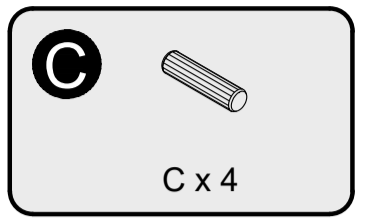
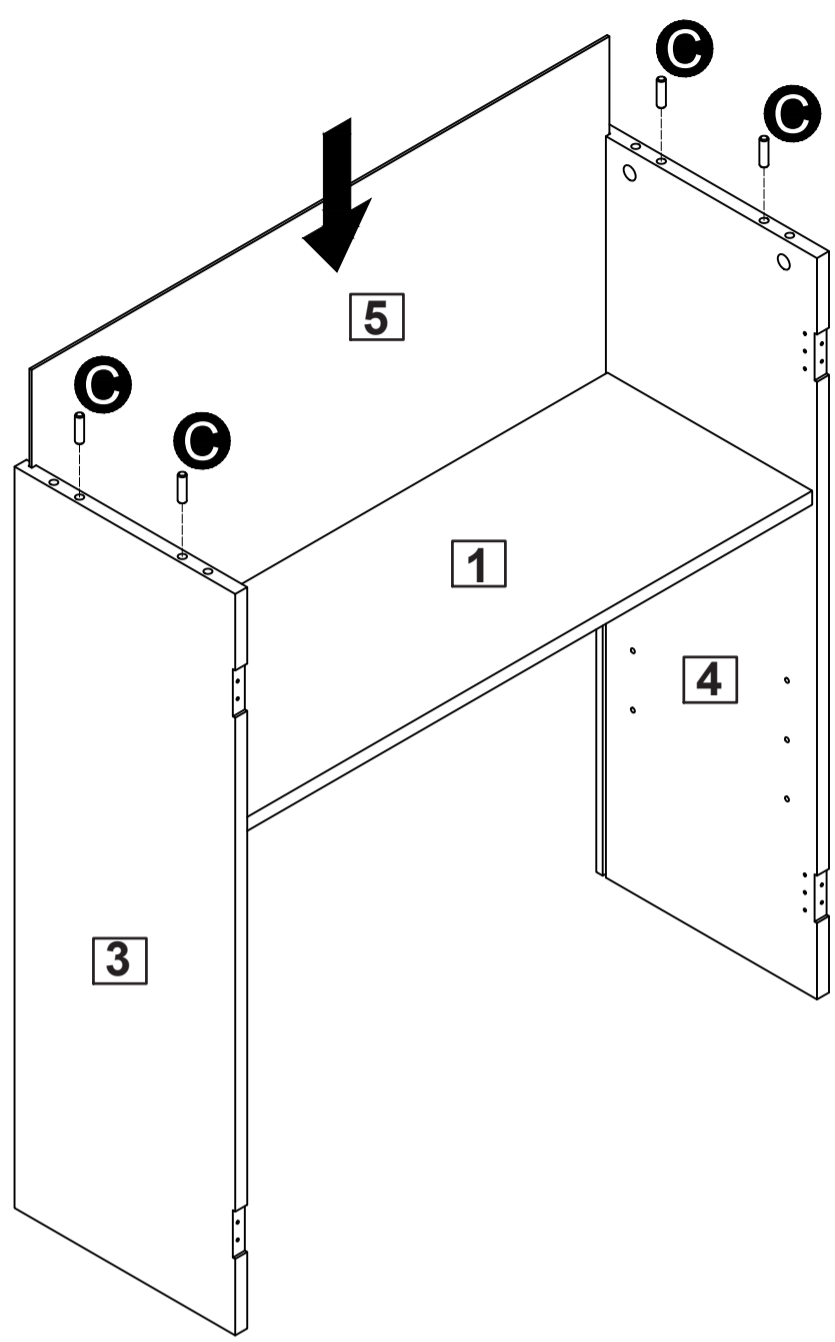
**B**   
B x 4



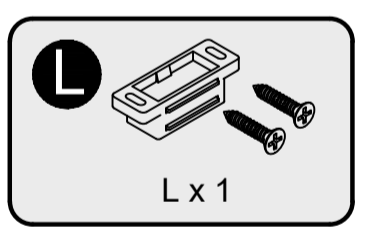
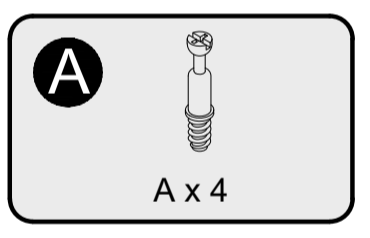
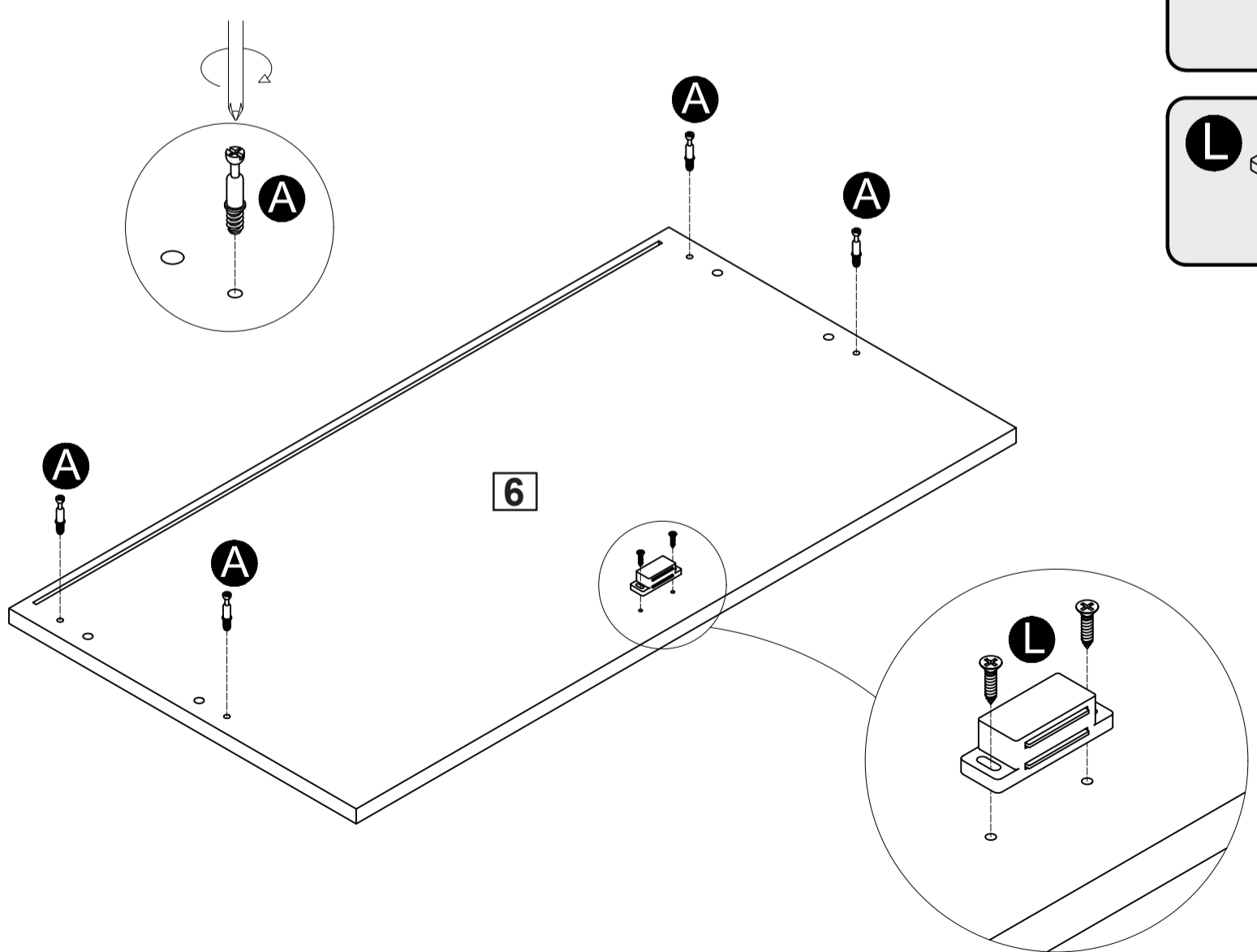


# Assembly Instructions

## Step 19

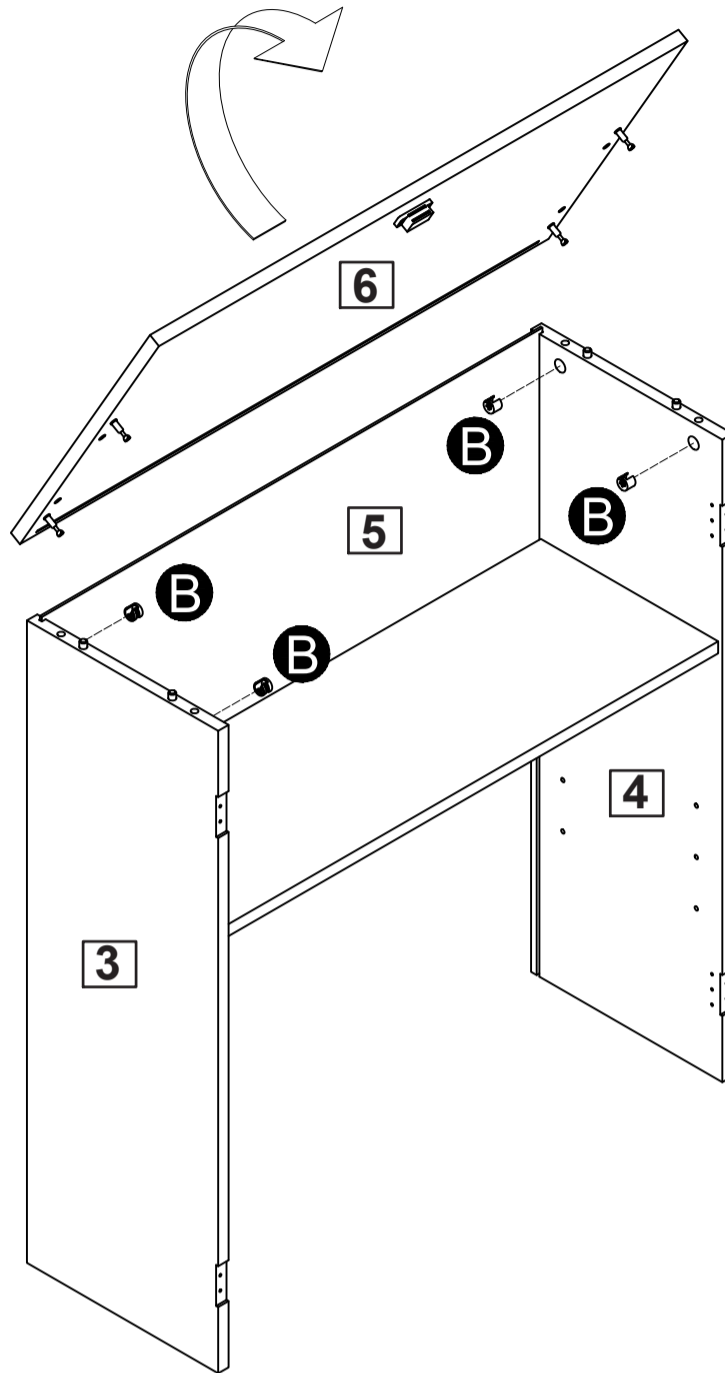



## Step 20

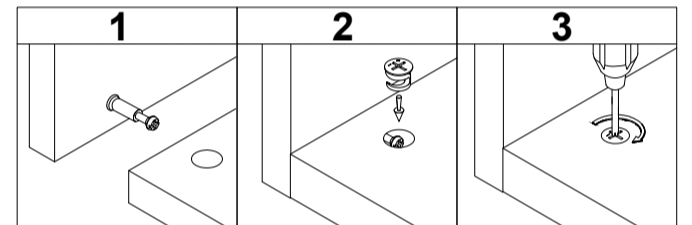


# Assembly Instructions

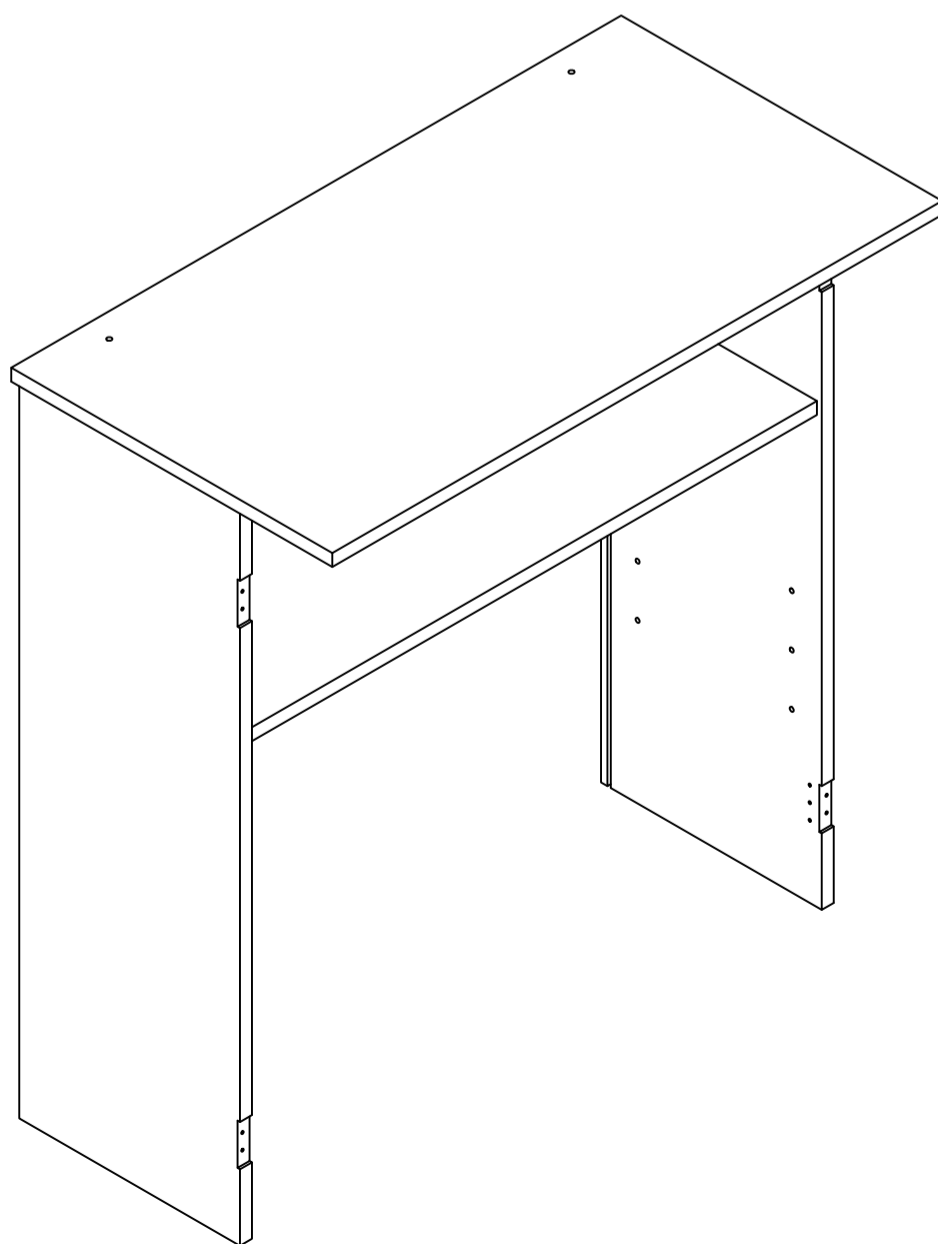
## Step 21



**B**   
B x 4



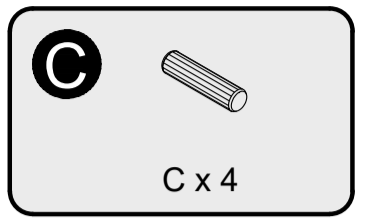
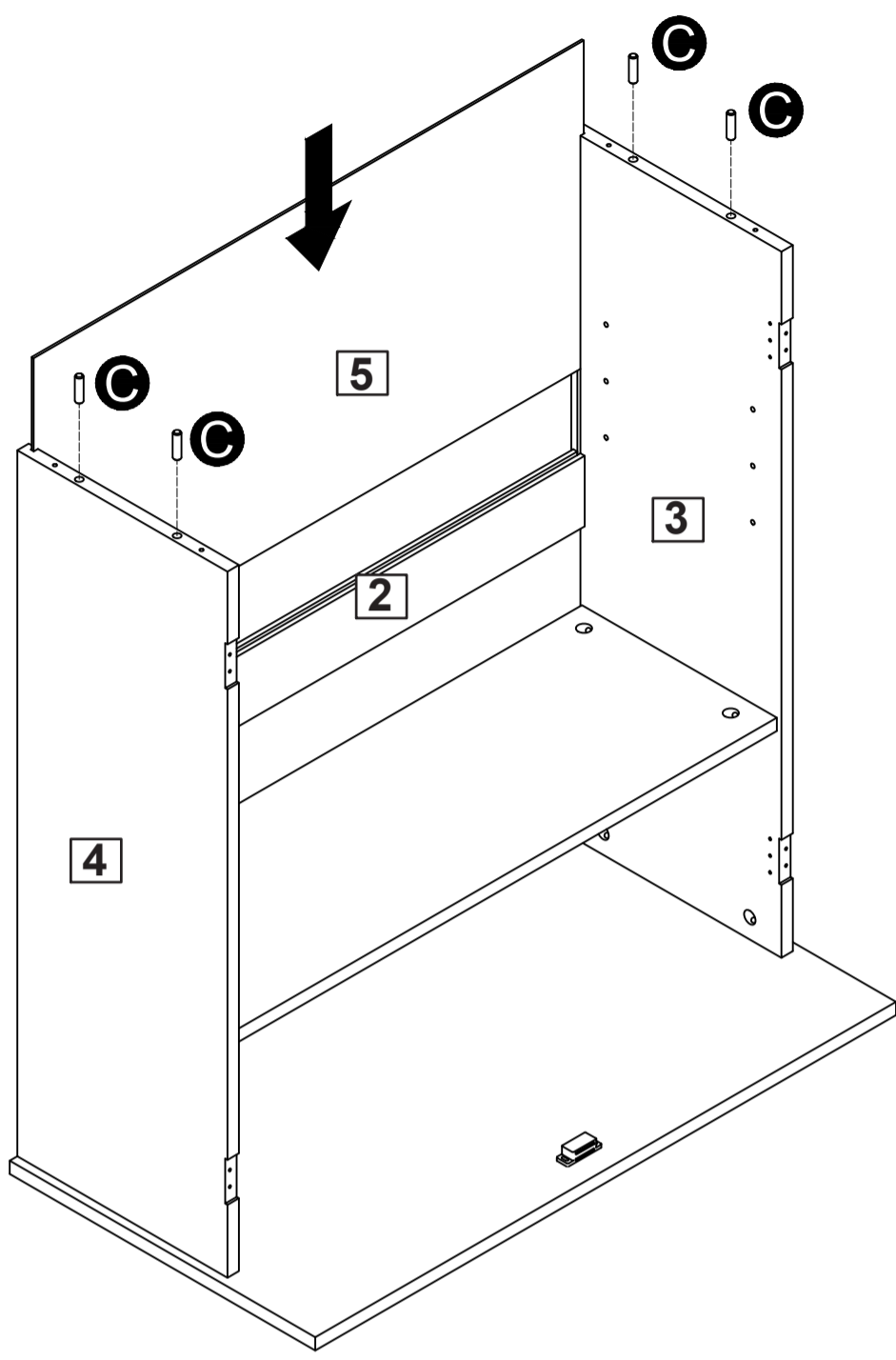
## Step 22



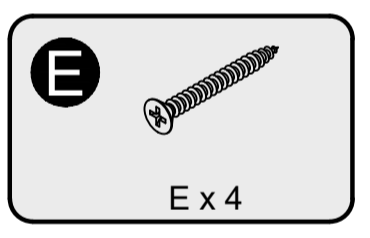
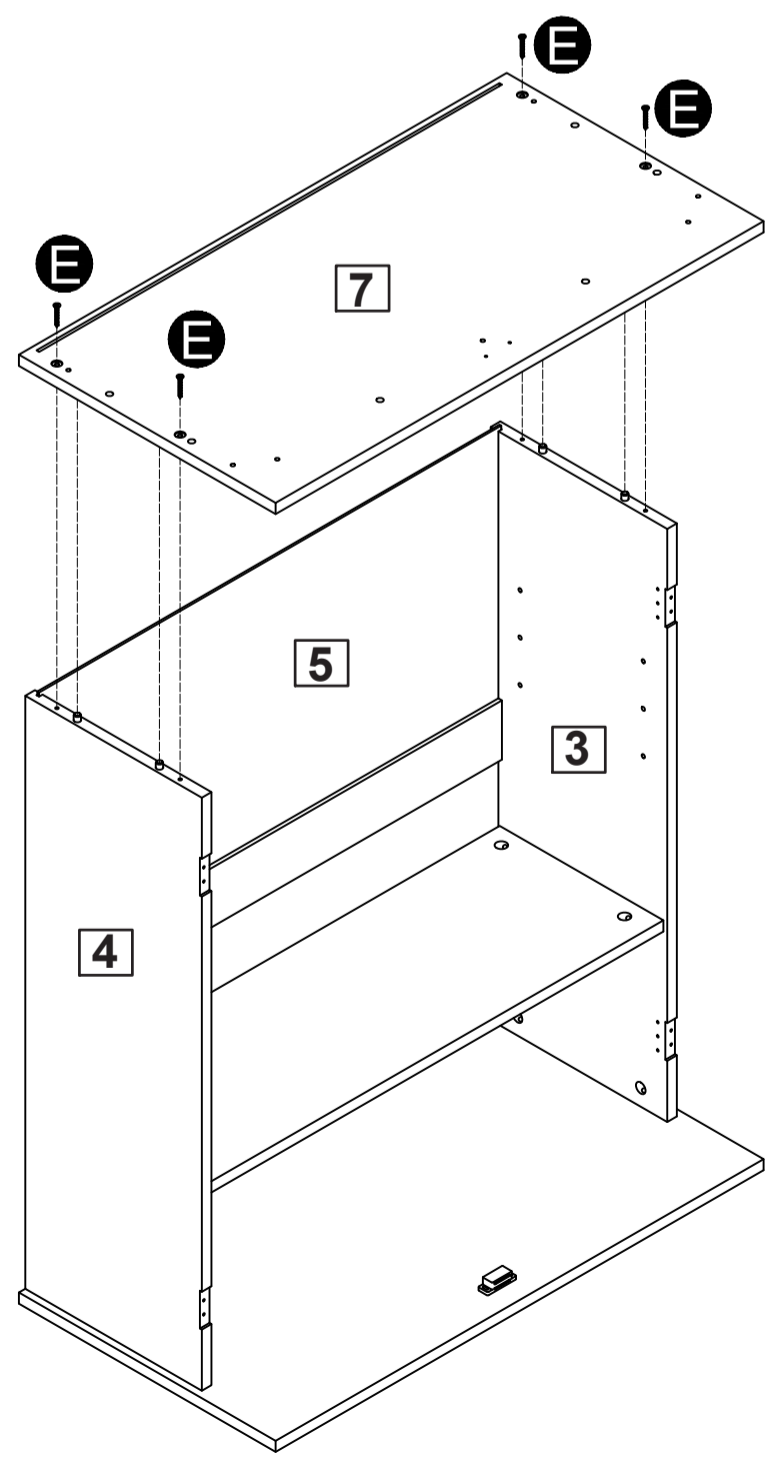
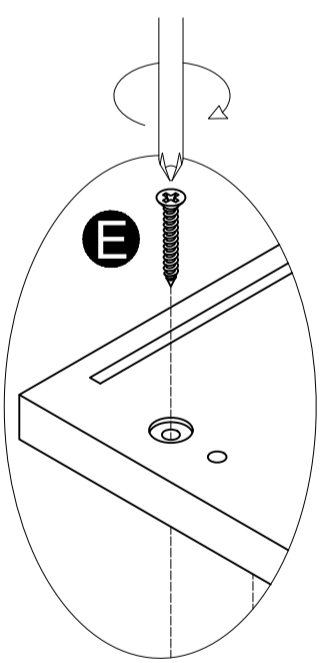
**180°**

# Assembly Instructions

## Step 23

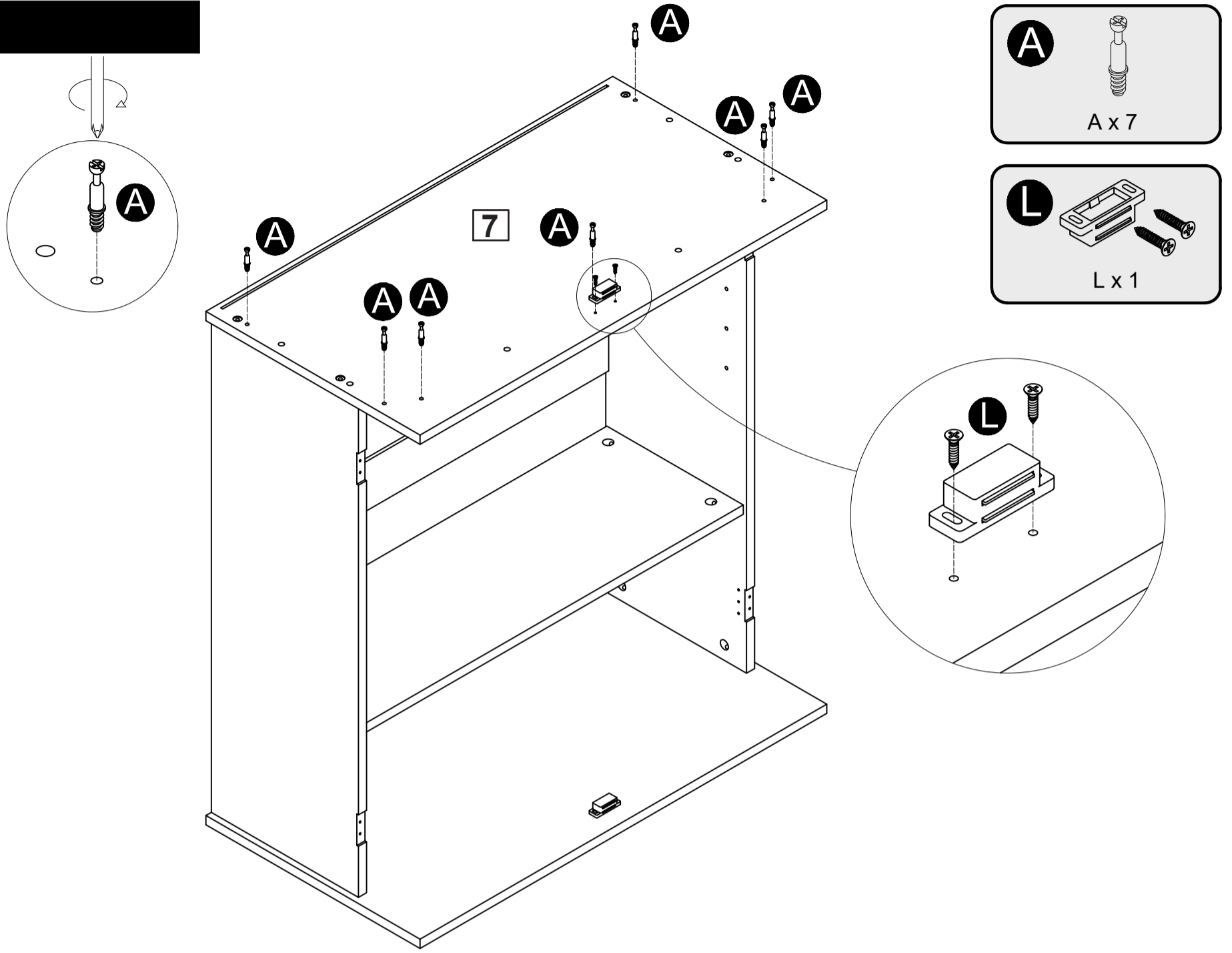


## Step 24

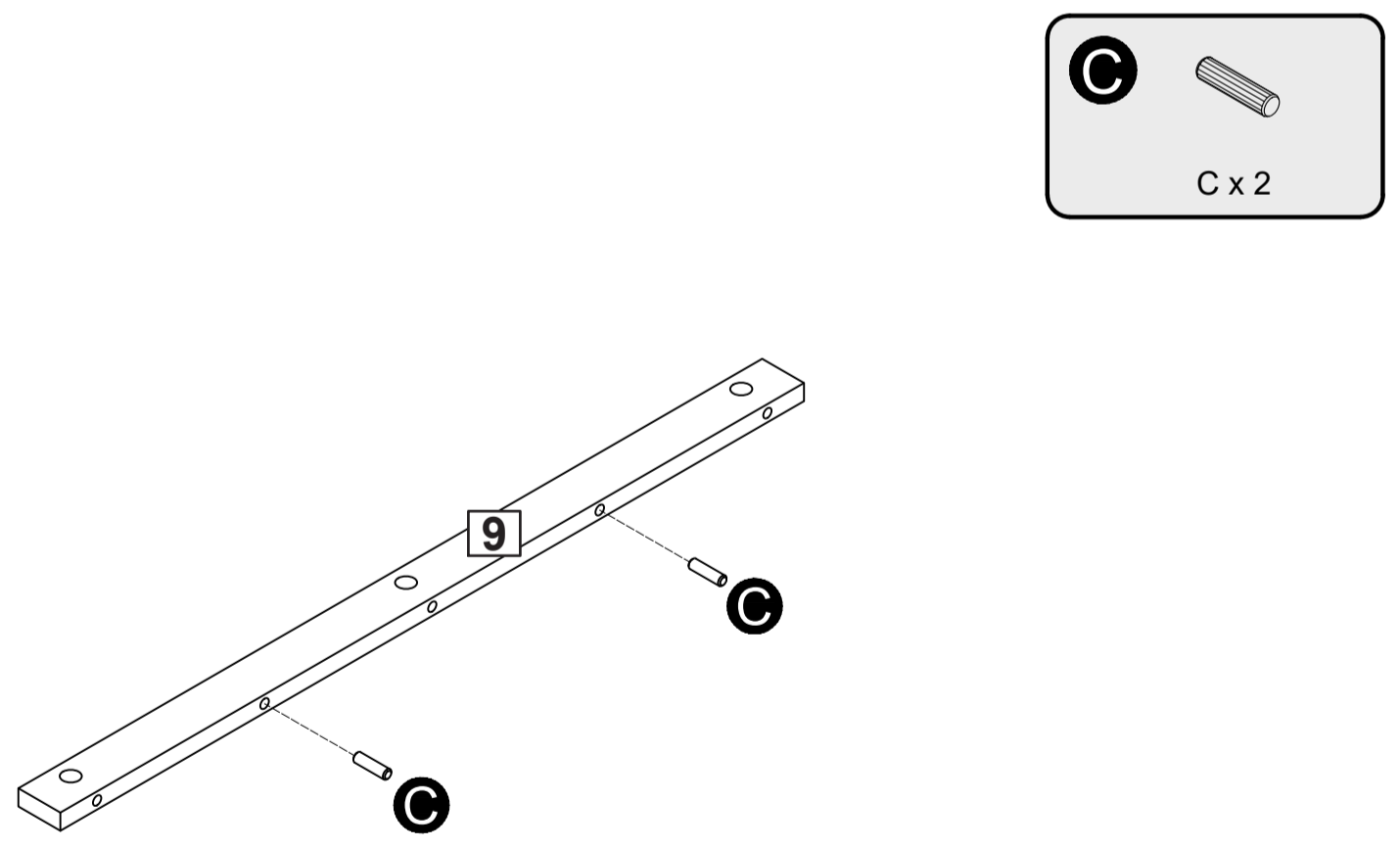


# Assembly Instructions

## Step 25

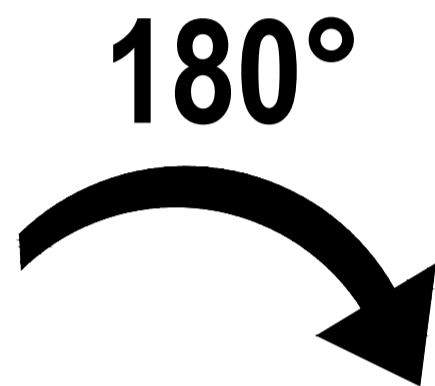
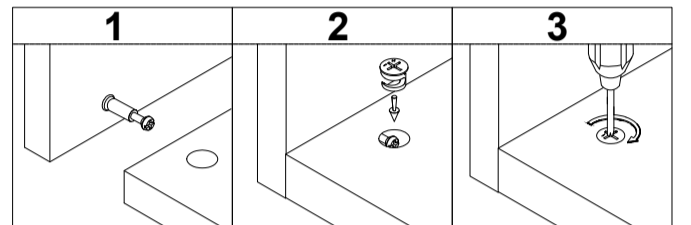
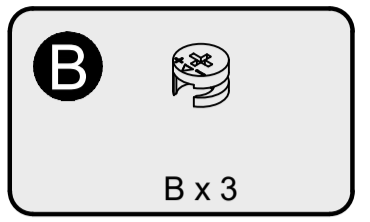
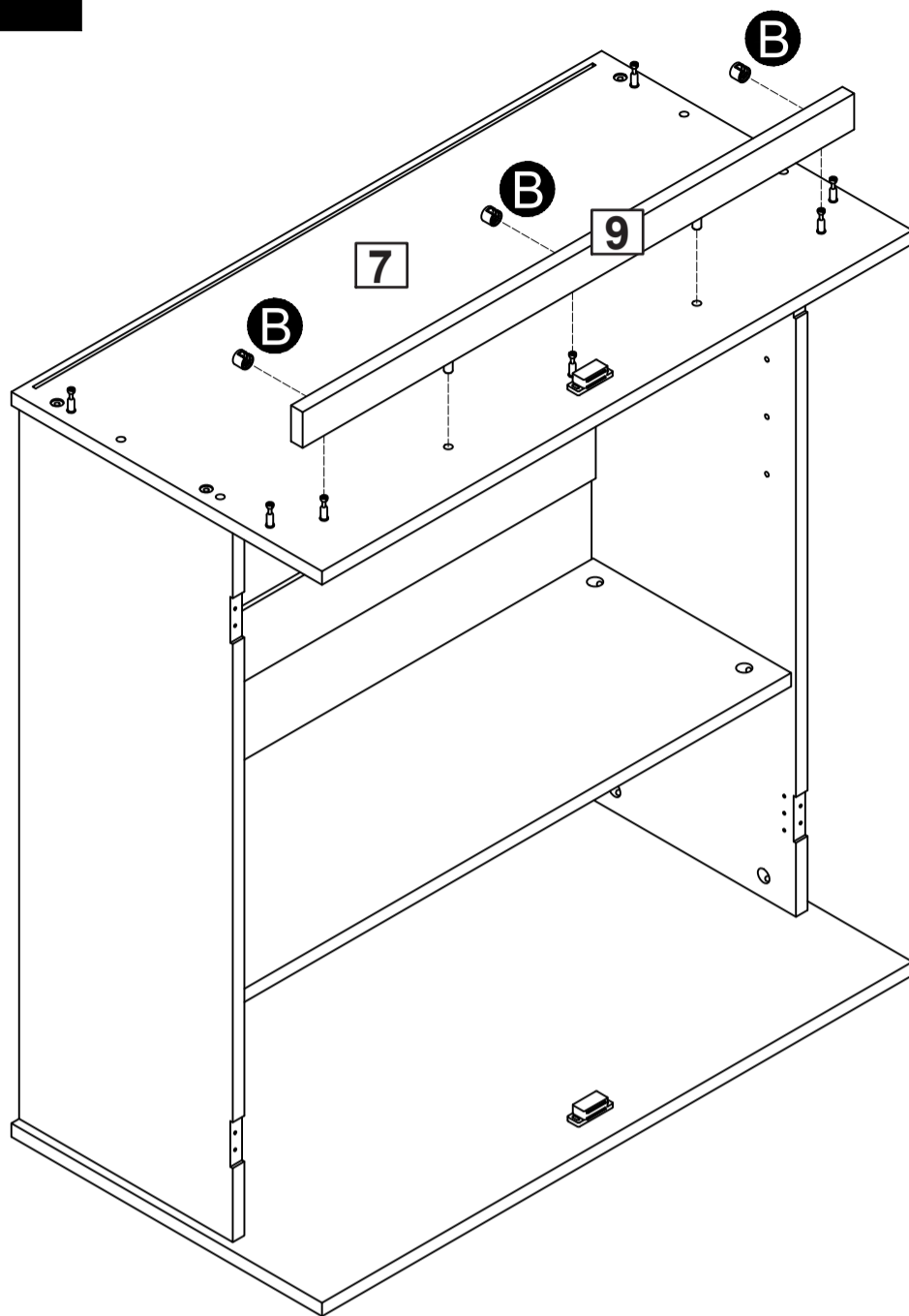


## Step 26

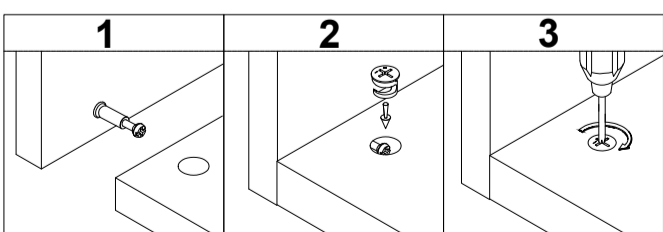
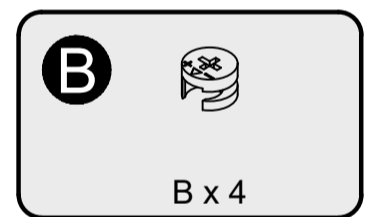
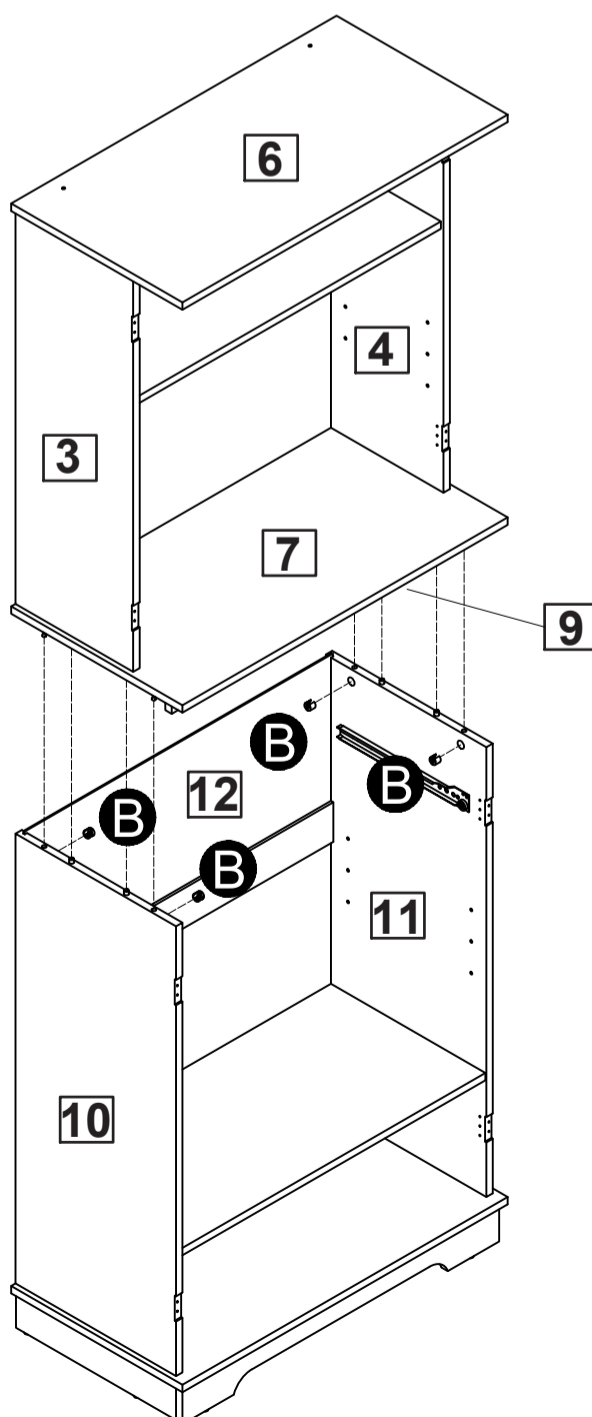


# Assembly Instructions

## Step 27

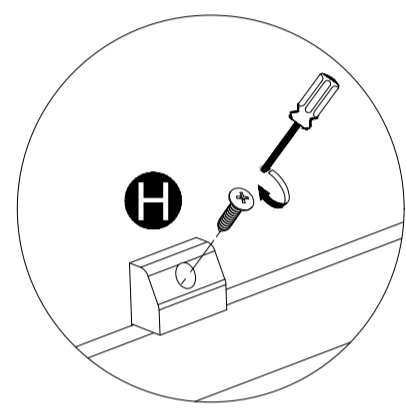
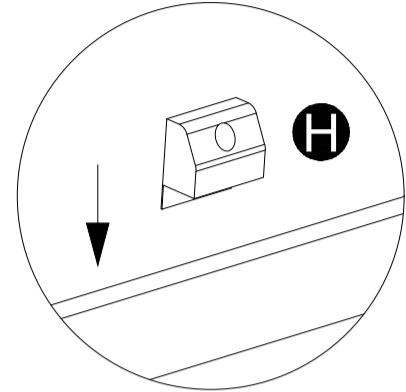
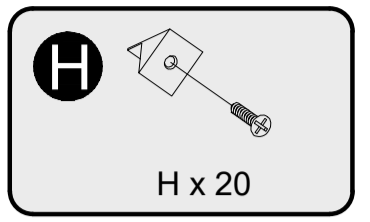
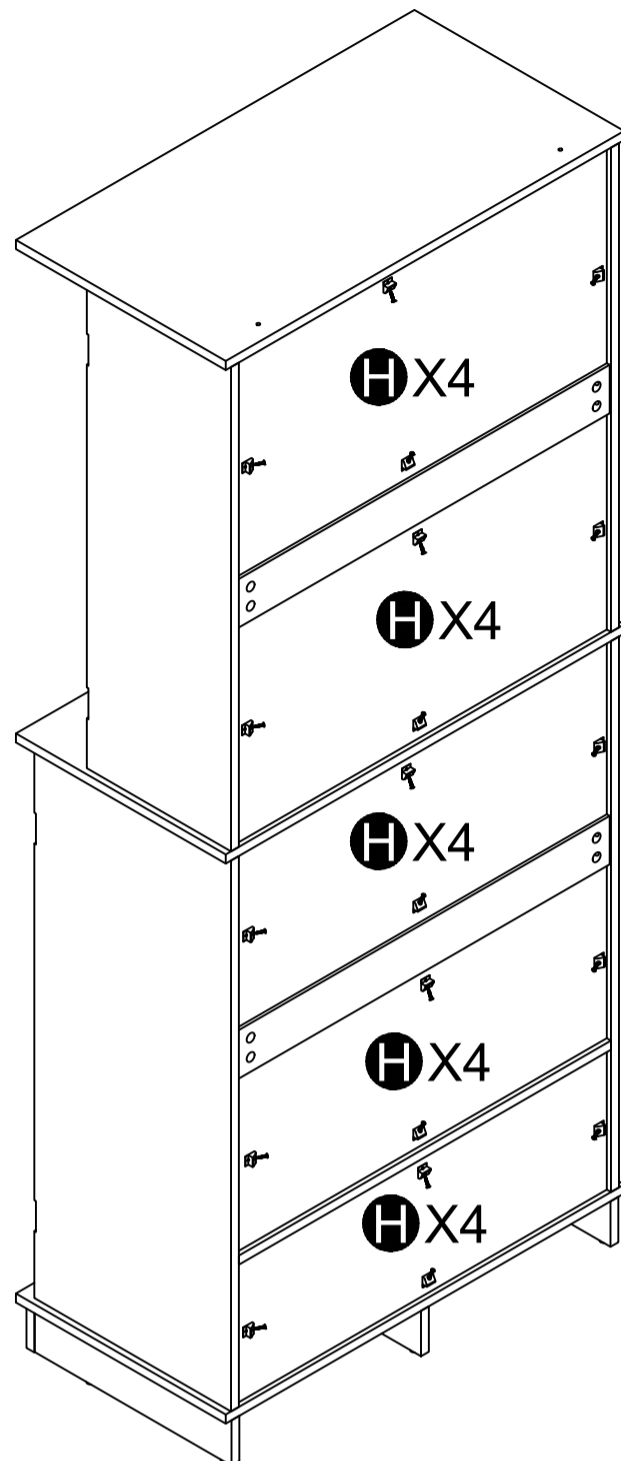


## Step 28

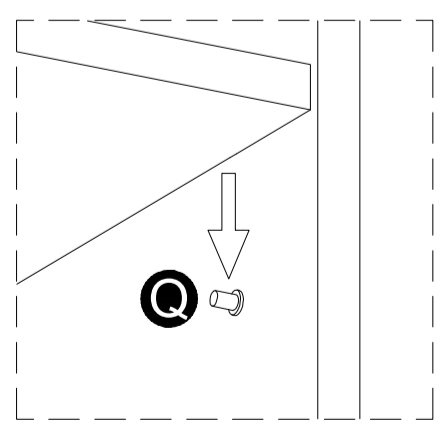
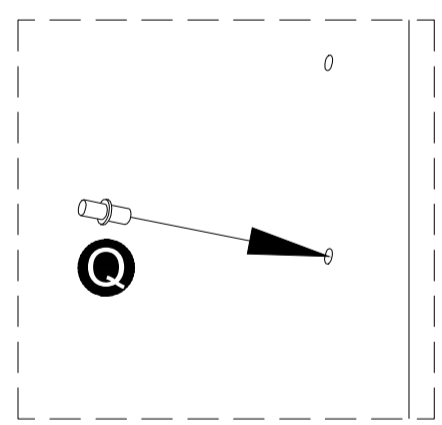
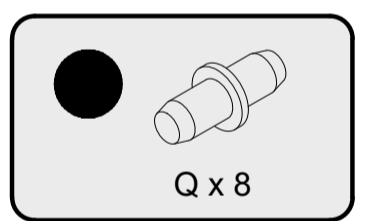
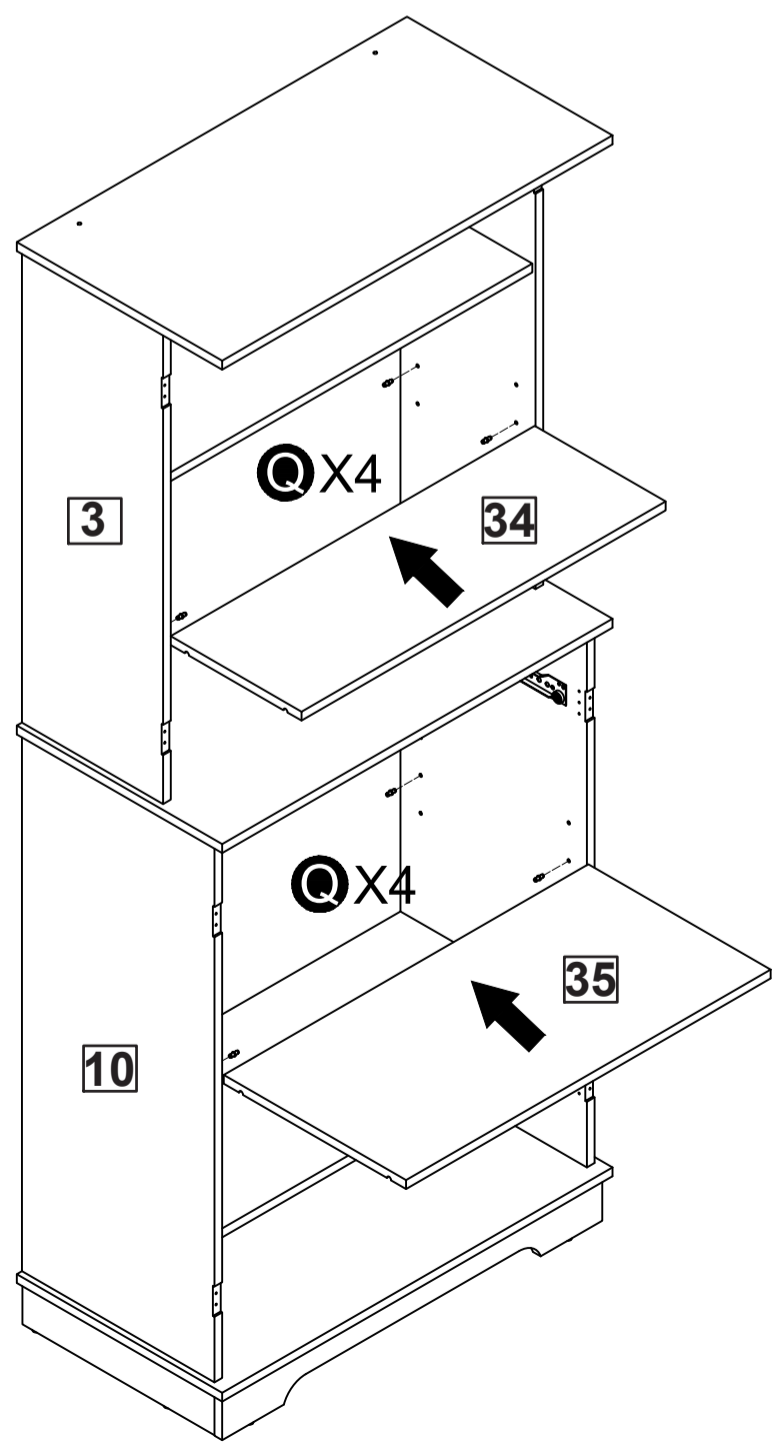


# Assembly Instructions

## Step 29

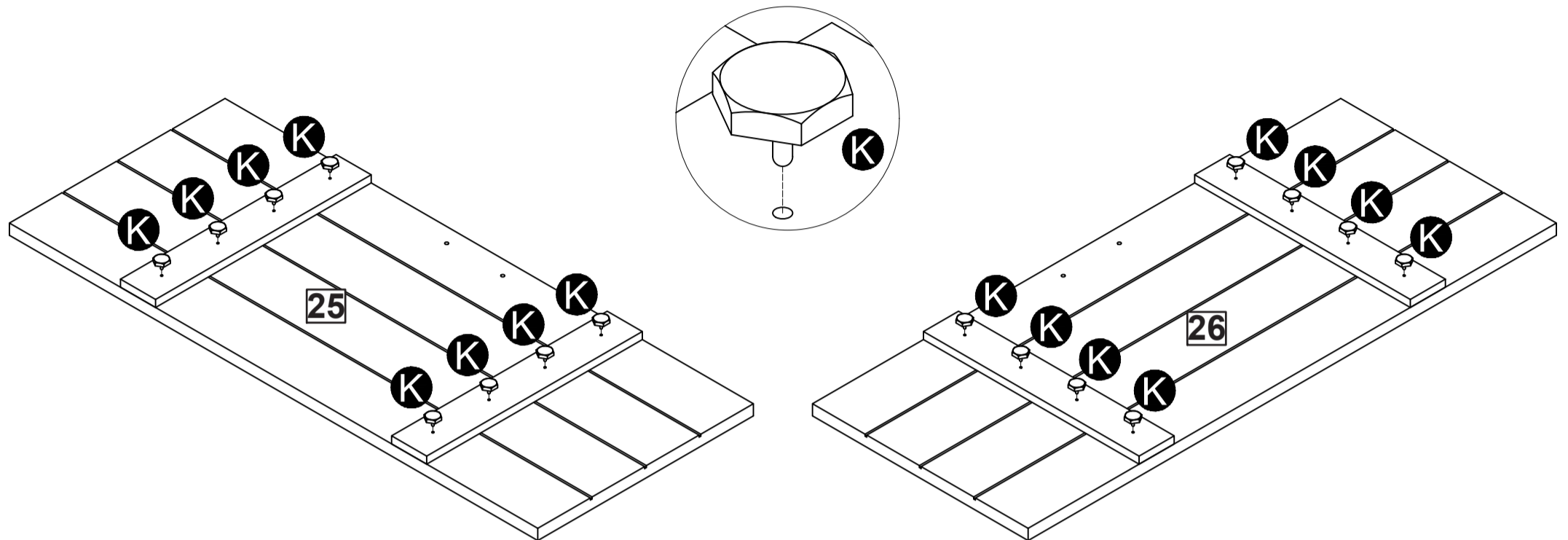


## Step 30



# Assembly Instructions

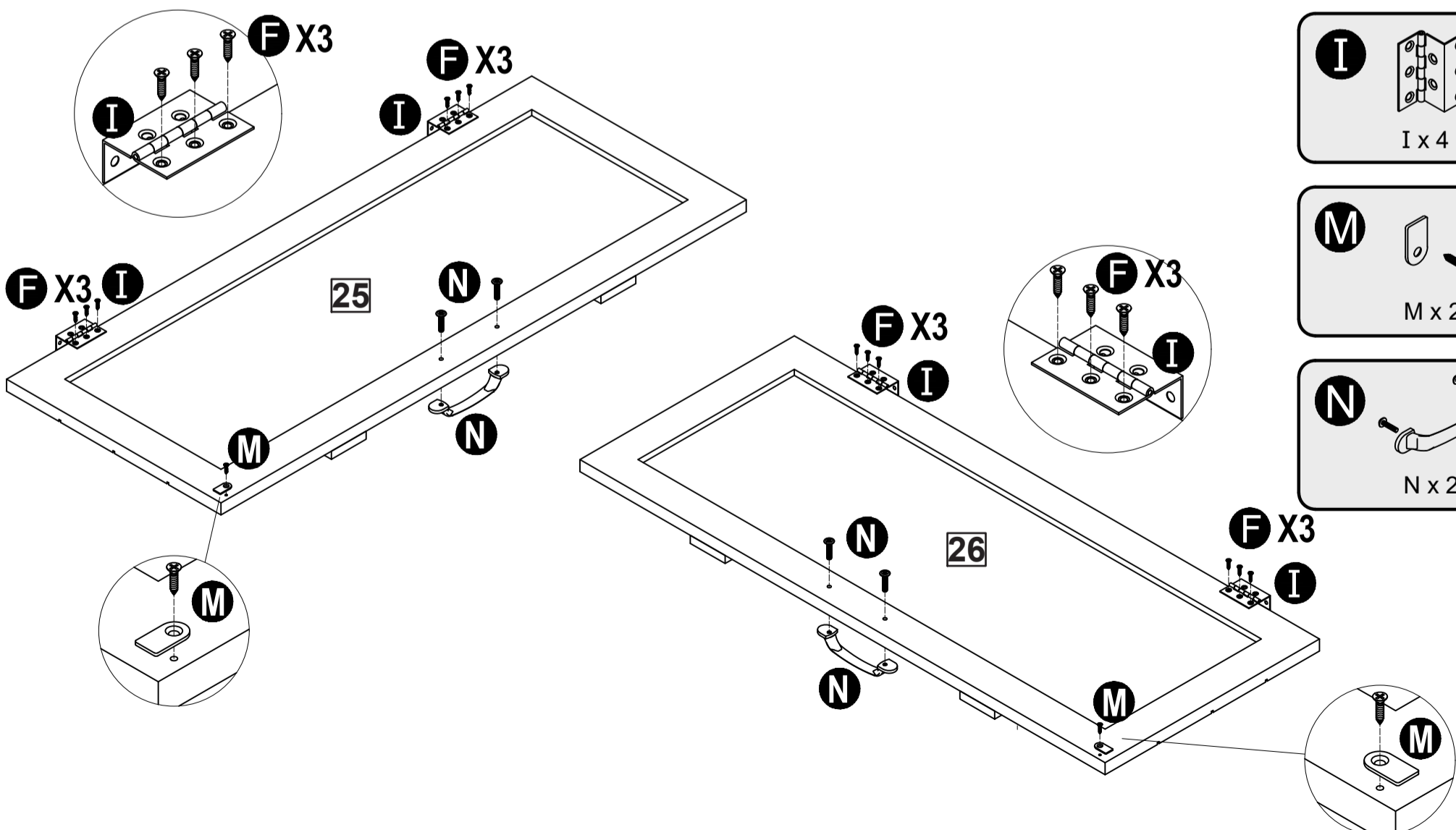
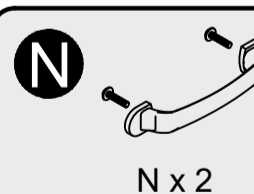
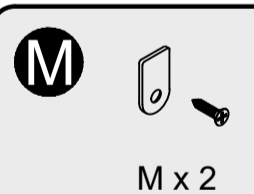
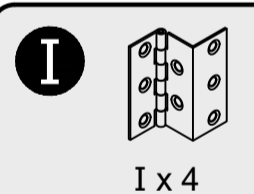
## Step 31



Note: Before installation, take out the foam board in the package and place it on the ground to protect the product surface.

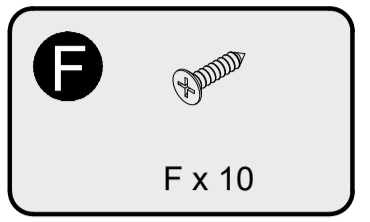
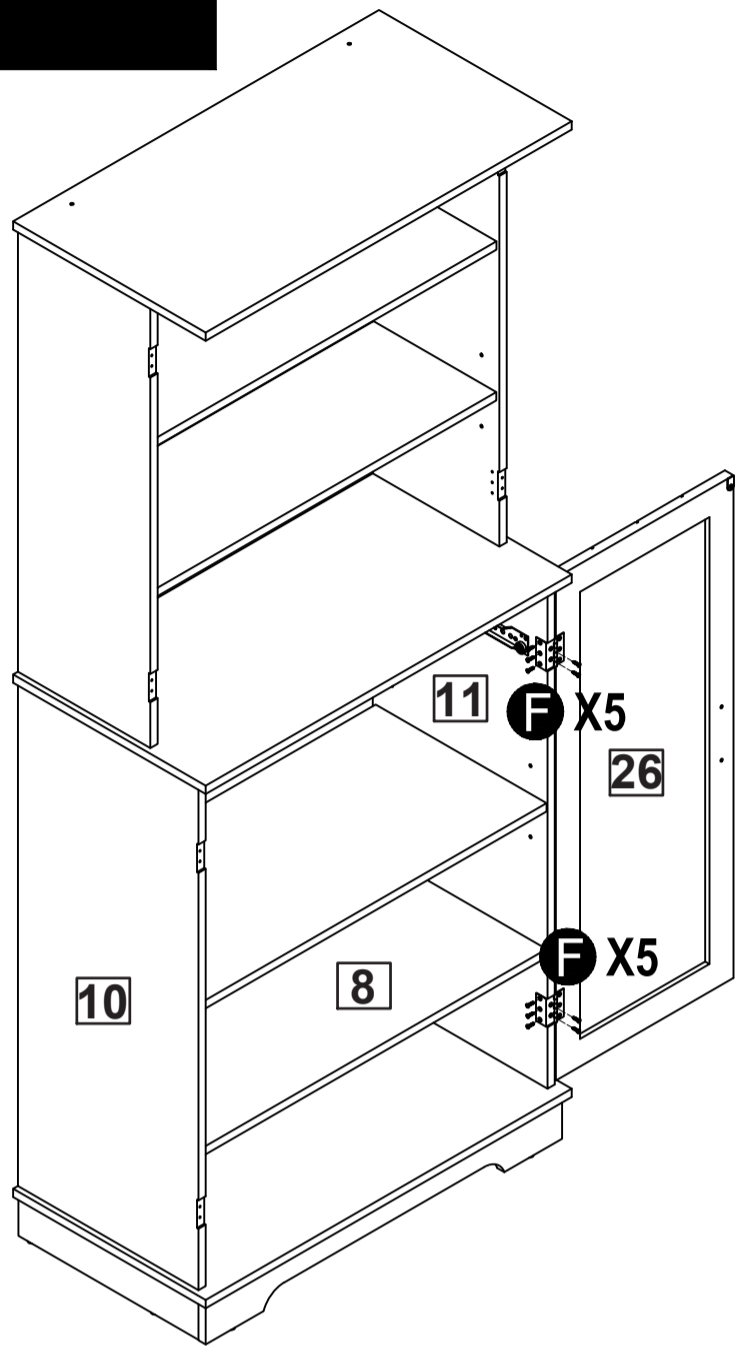
180°

## Step 32

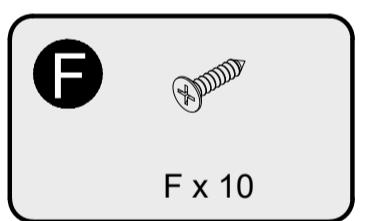
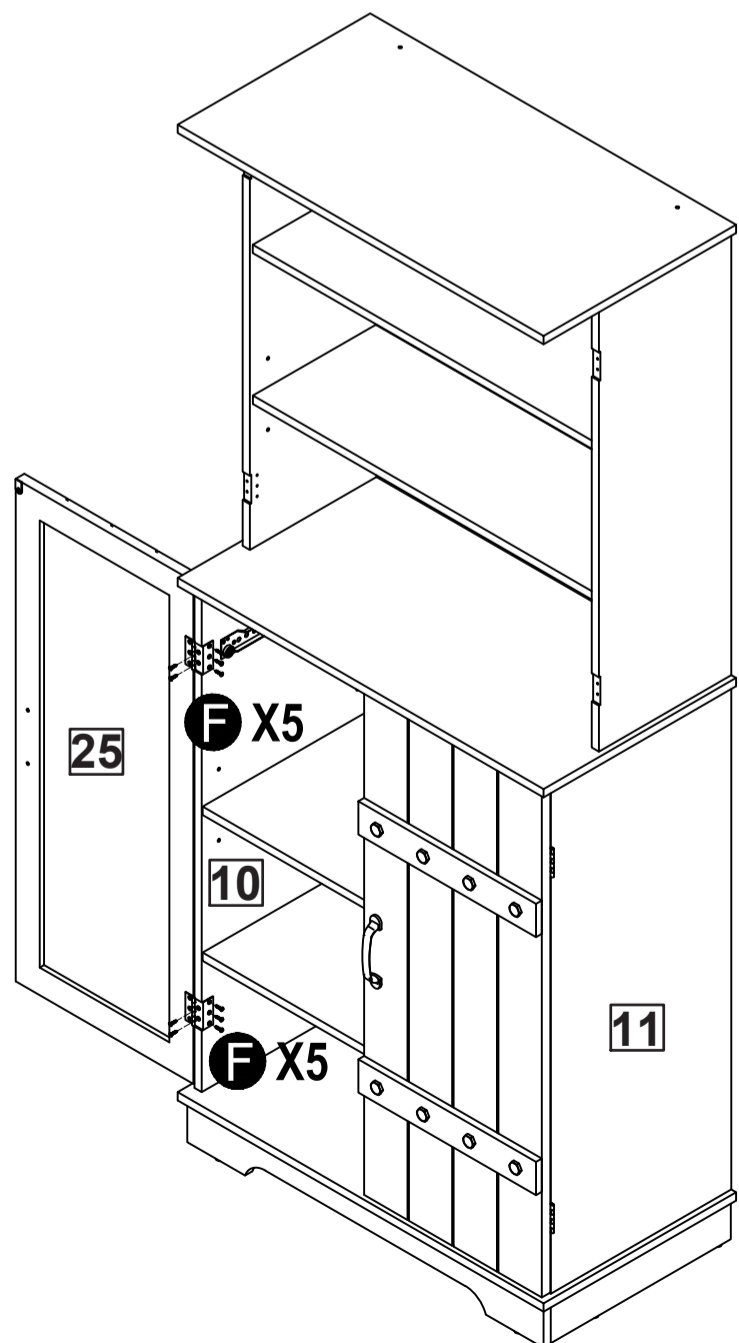
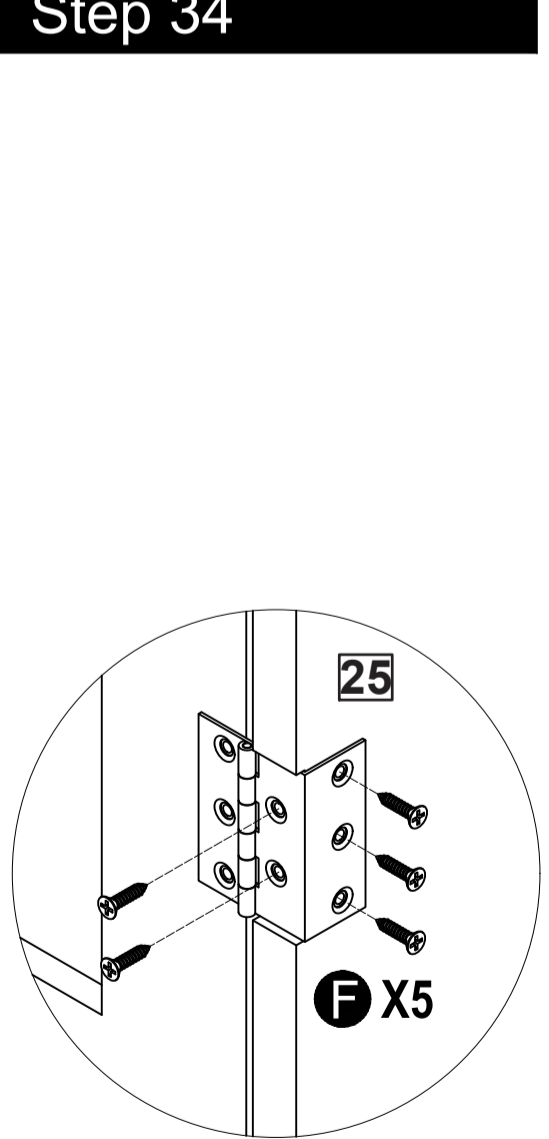


# Assembly Instructions

## Step 33



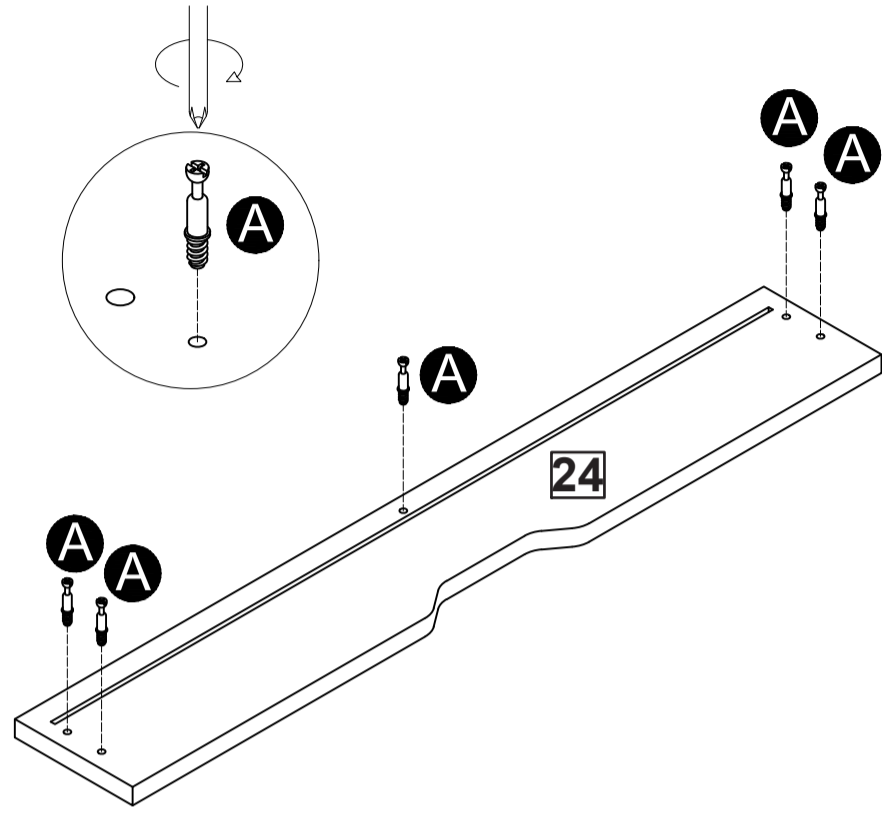
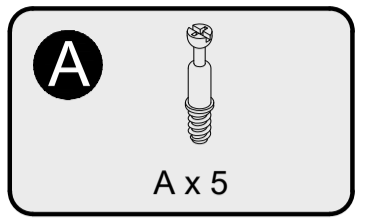
## Step 34



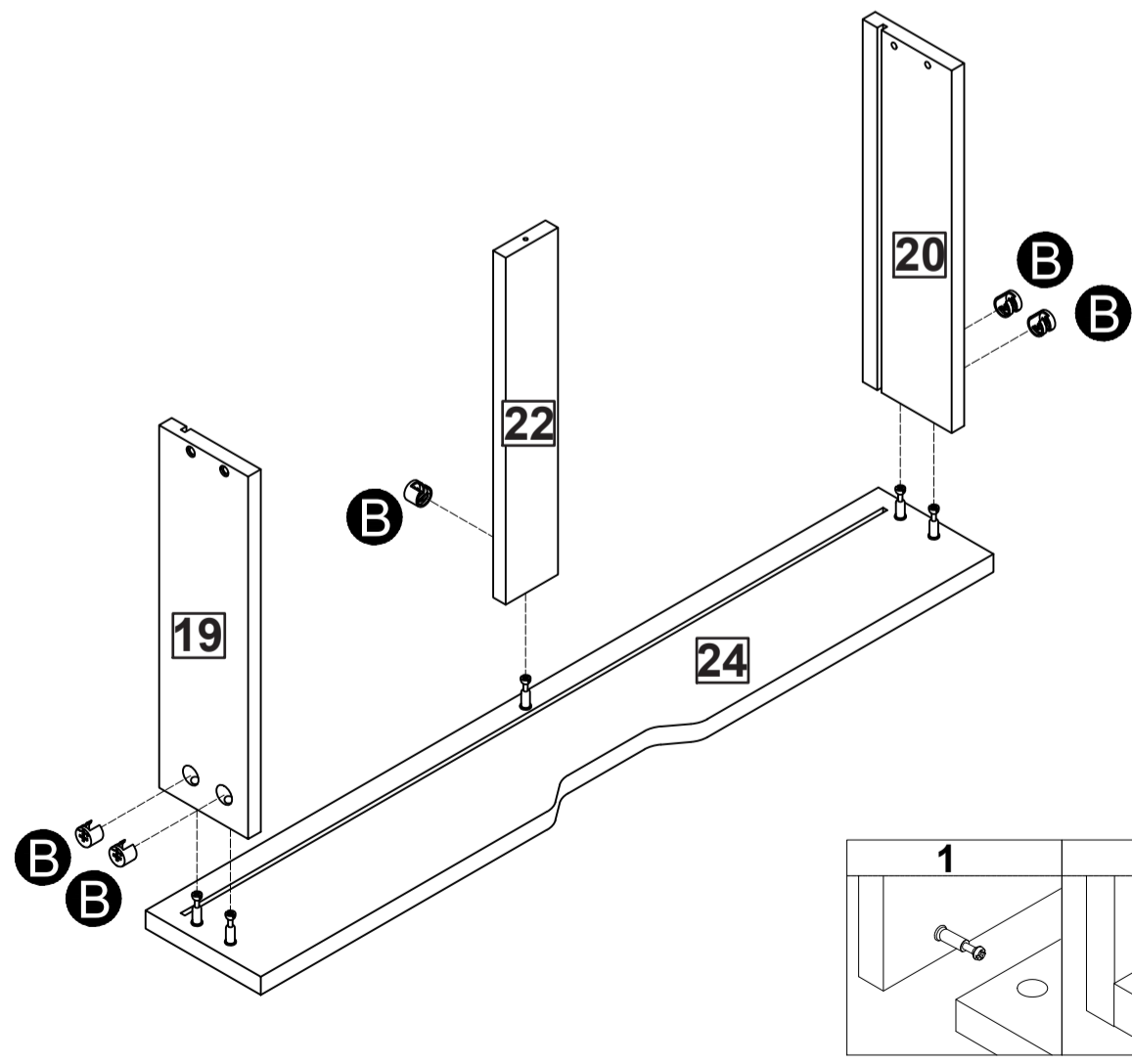


# Assembly Instructions

## Step 35

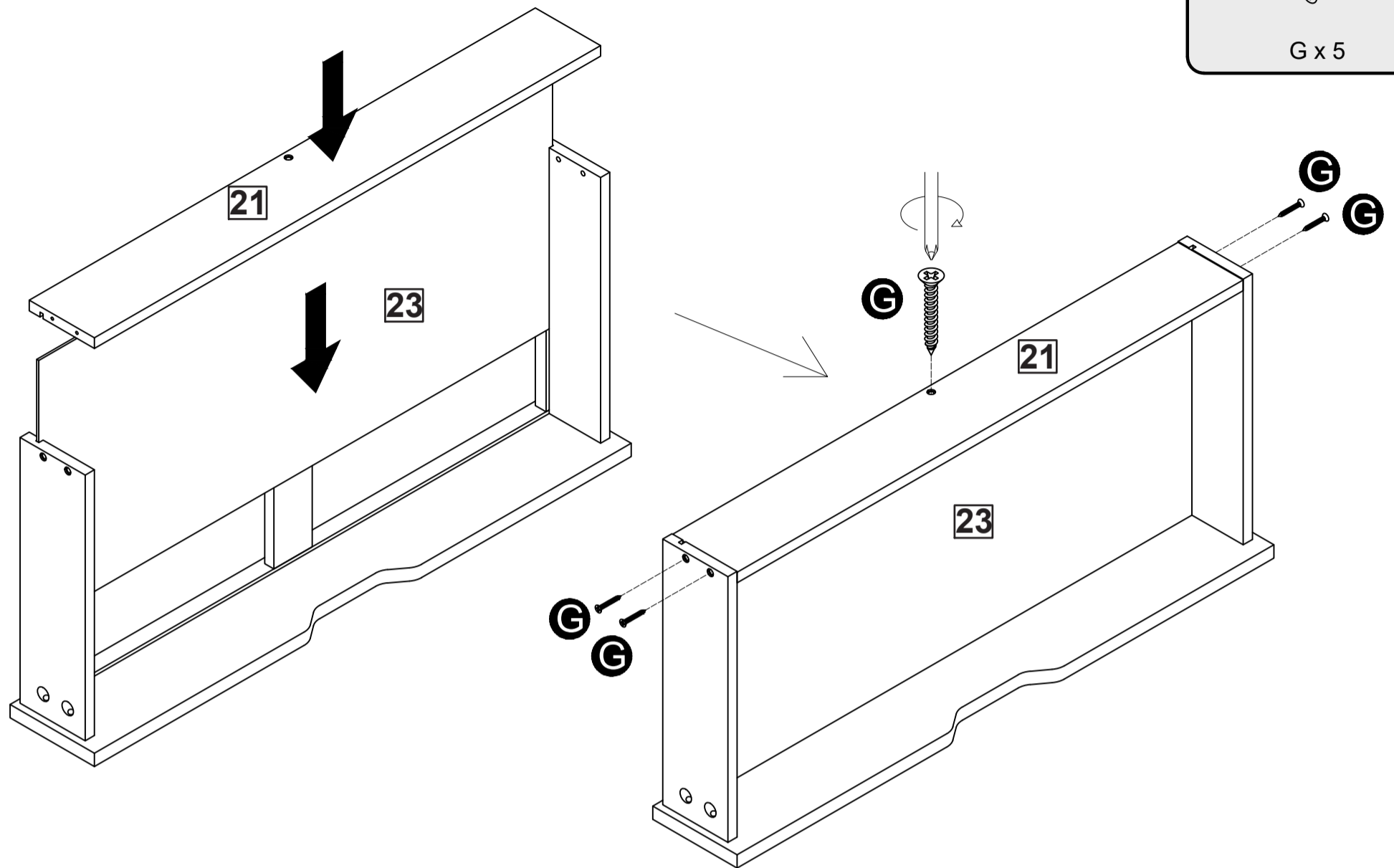


## Step 36

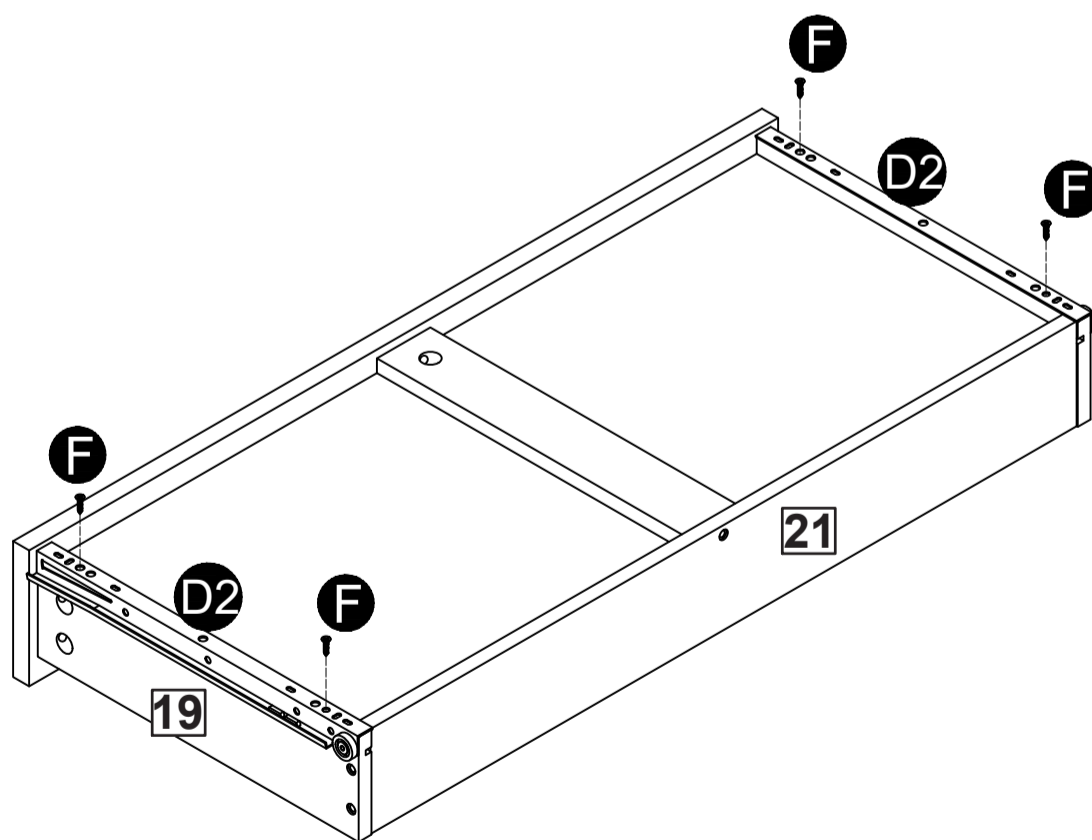


# Assembly Instructions

## Step 37



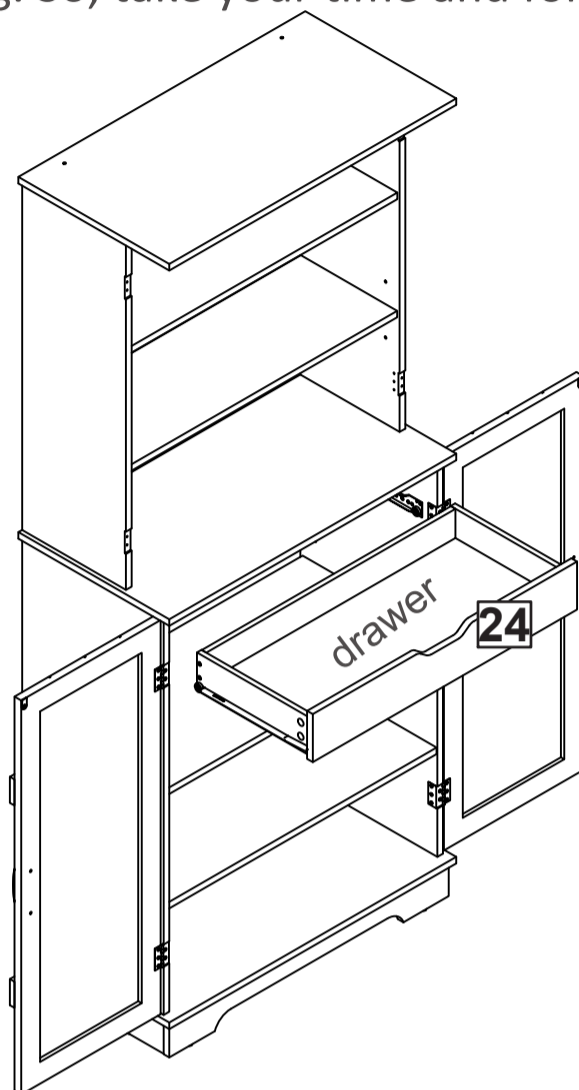
## Step 38



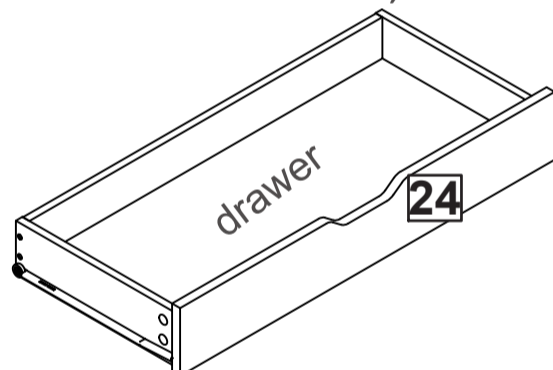
# Assembly Instructions

## Step 39

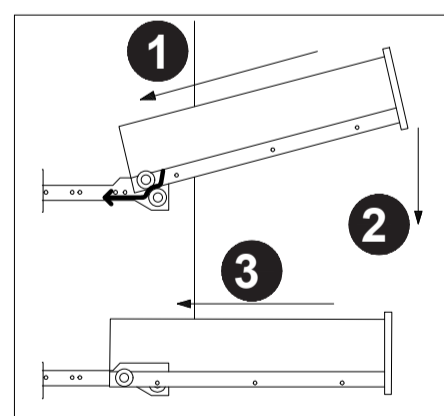
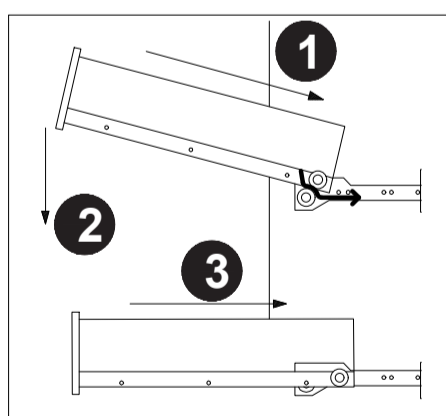
Congratulation! You've made to the last step! But don't be too thrilled yet, put on the drawer can be frustrating if you do it wrong. So, take your time and follow the steps below.



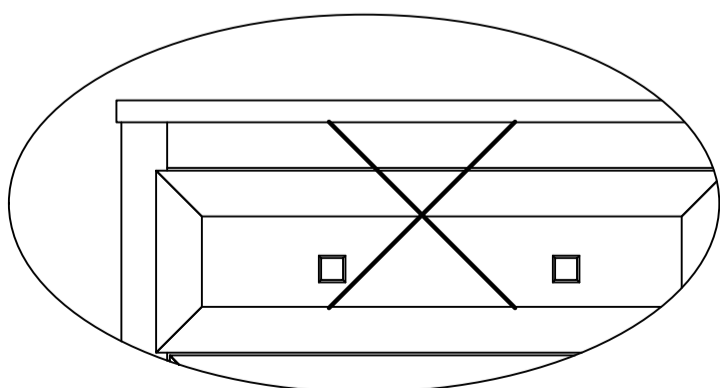
1. Make sure that you have right and left drawers sorted out first, because the drawer panel may cover the side if the right drawer is on the left side, vice versa.



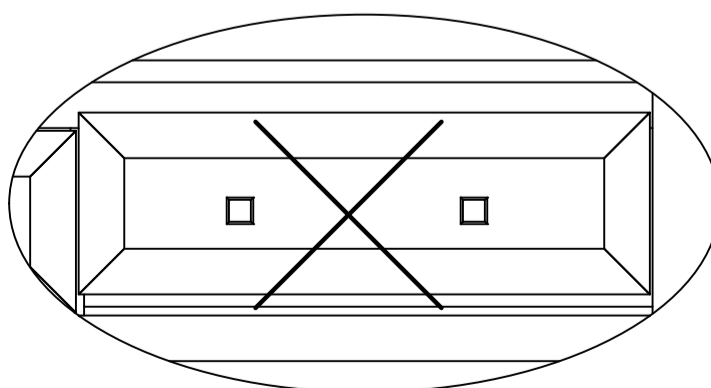
2. Please ensure that you have matched the wheels on BOTH sides of the drawer with the wheels on rails installed BEFORE push in the drawer.



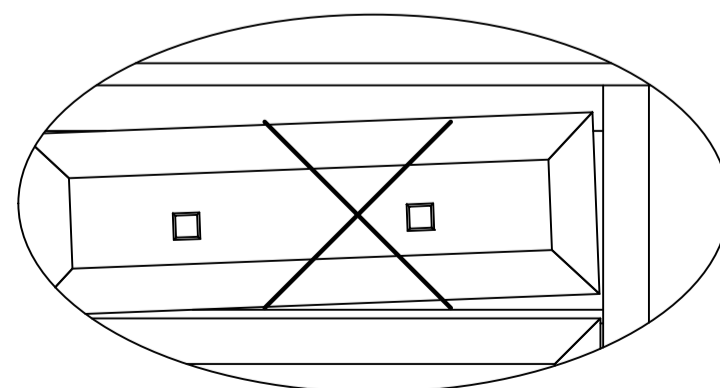
3. If the following occurs, redo the first two steps.



(drawer is on the wrong side)



(both wheels are off the rails)



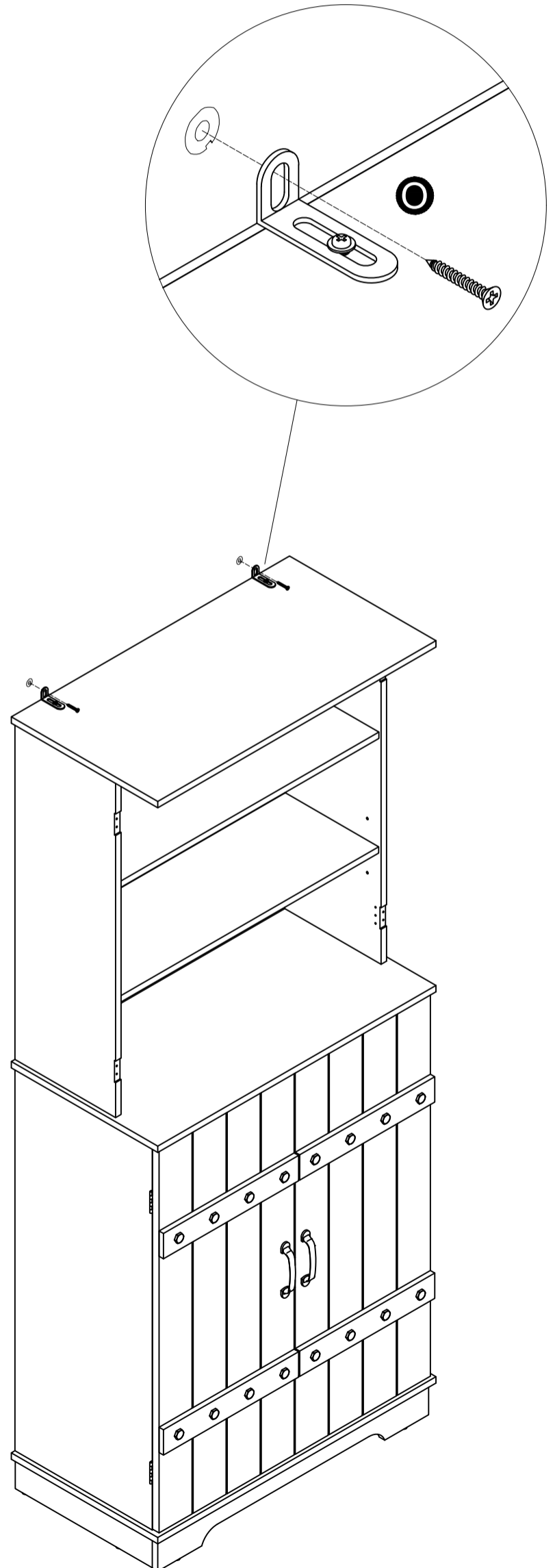
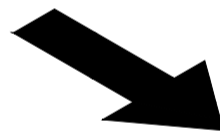
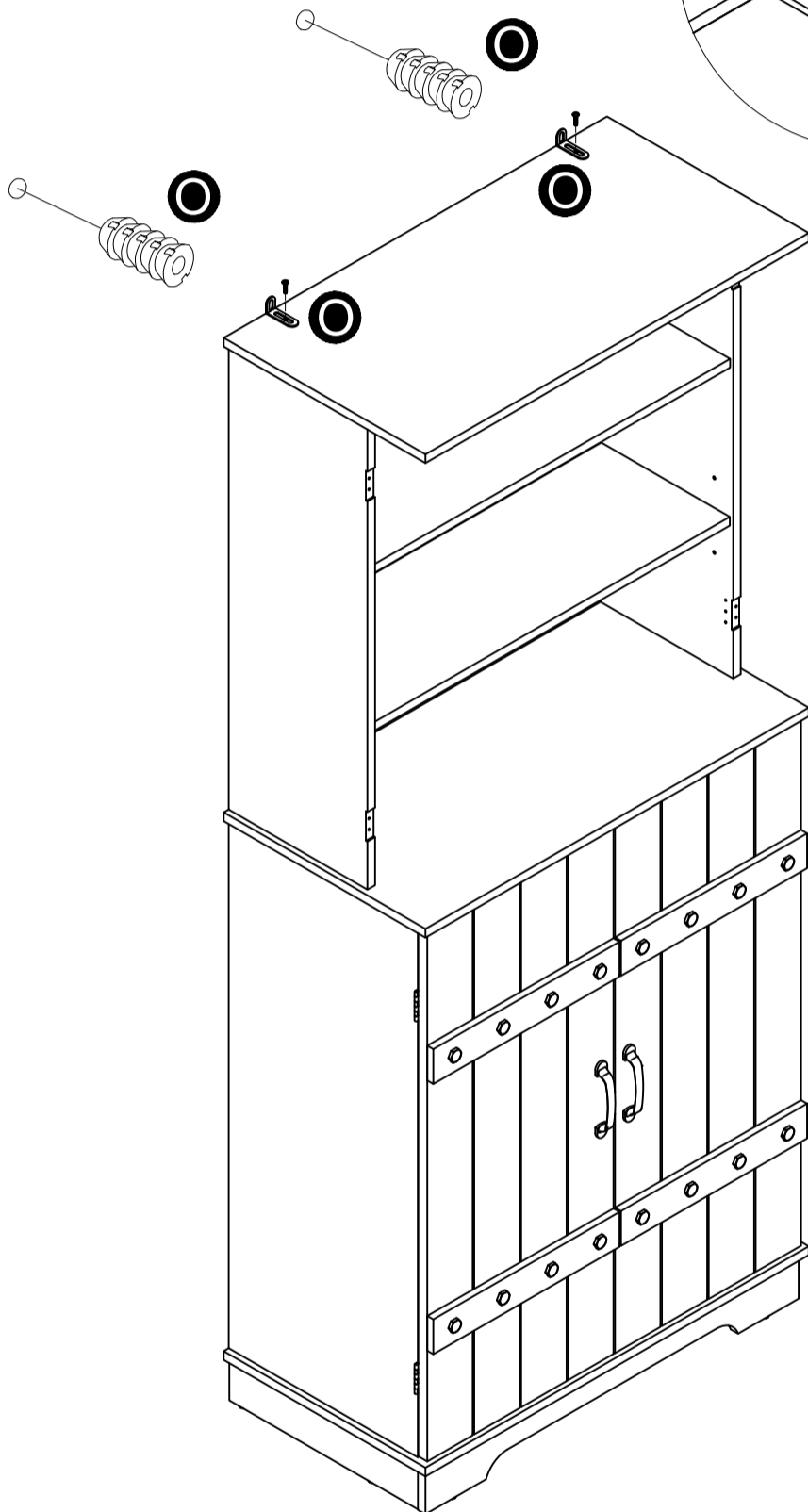
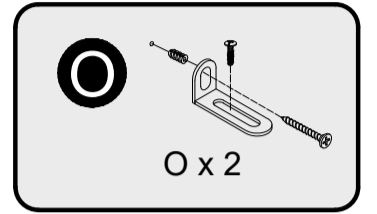
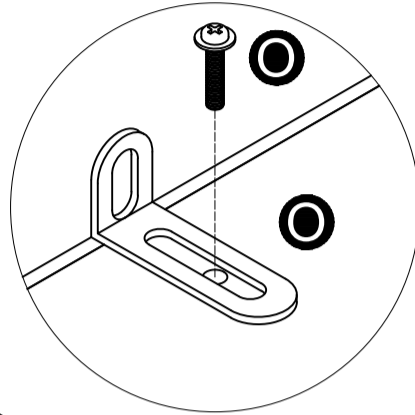
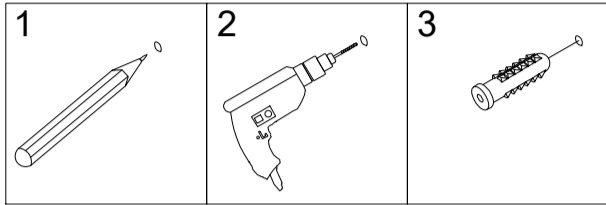
(one wheel is off the rail)

# Assembly Instructions

## Step 40

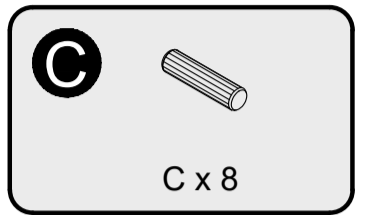
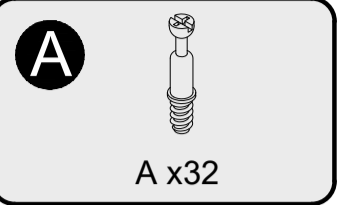
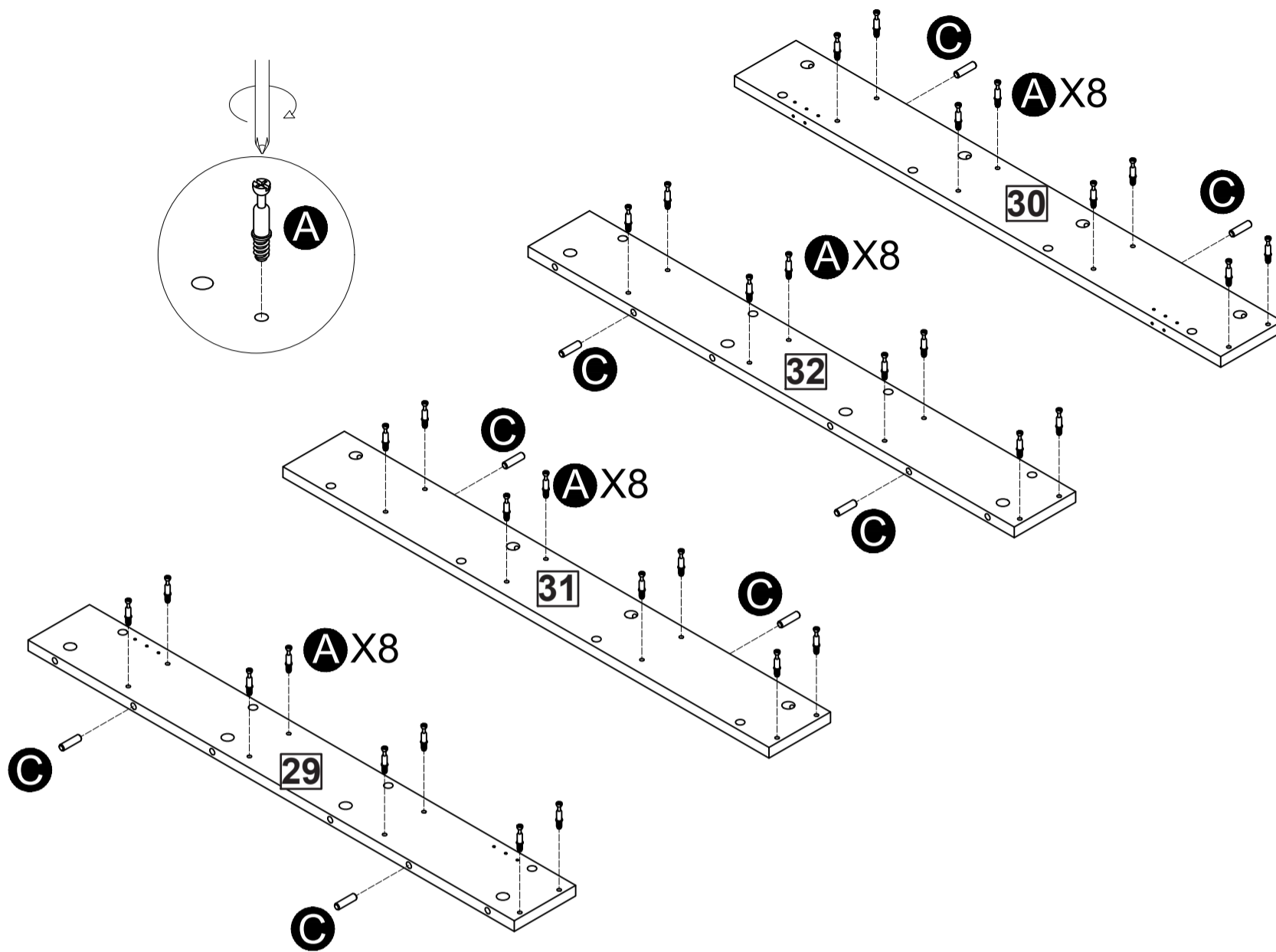
## WARNING

Serious or fatal injuries can occur from furniture tipping over. To prevent the furniture from tipping over we recommend that it is permanently fixed to the wall. Wall anchor and hardware are included with this product. Please make sure hardware is suitable for your walls before installing, as different wall materials may require different types of anchors.

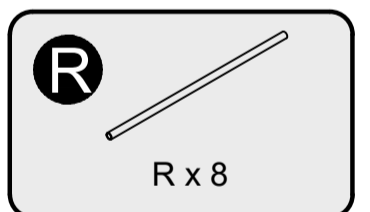
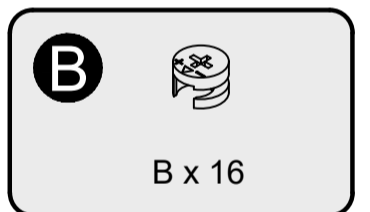
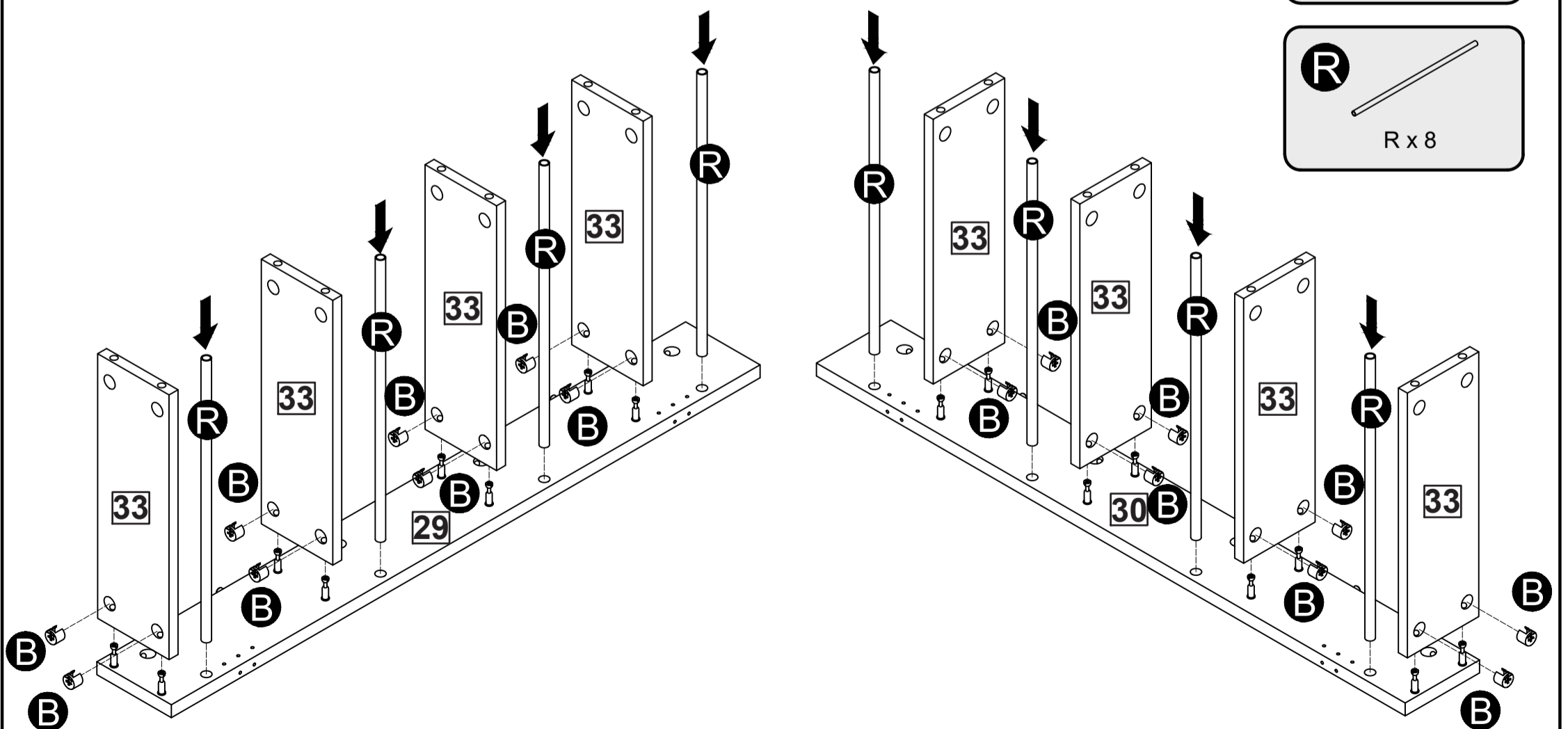


# Assembly Instructions

## Step 41



## Step 42



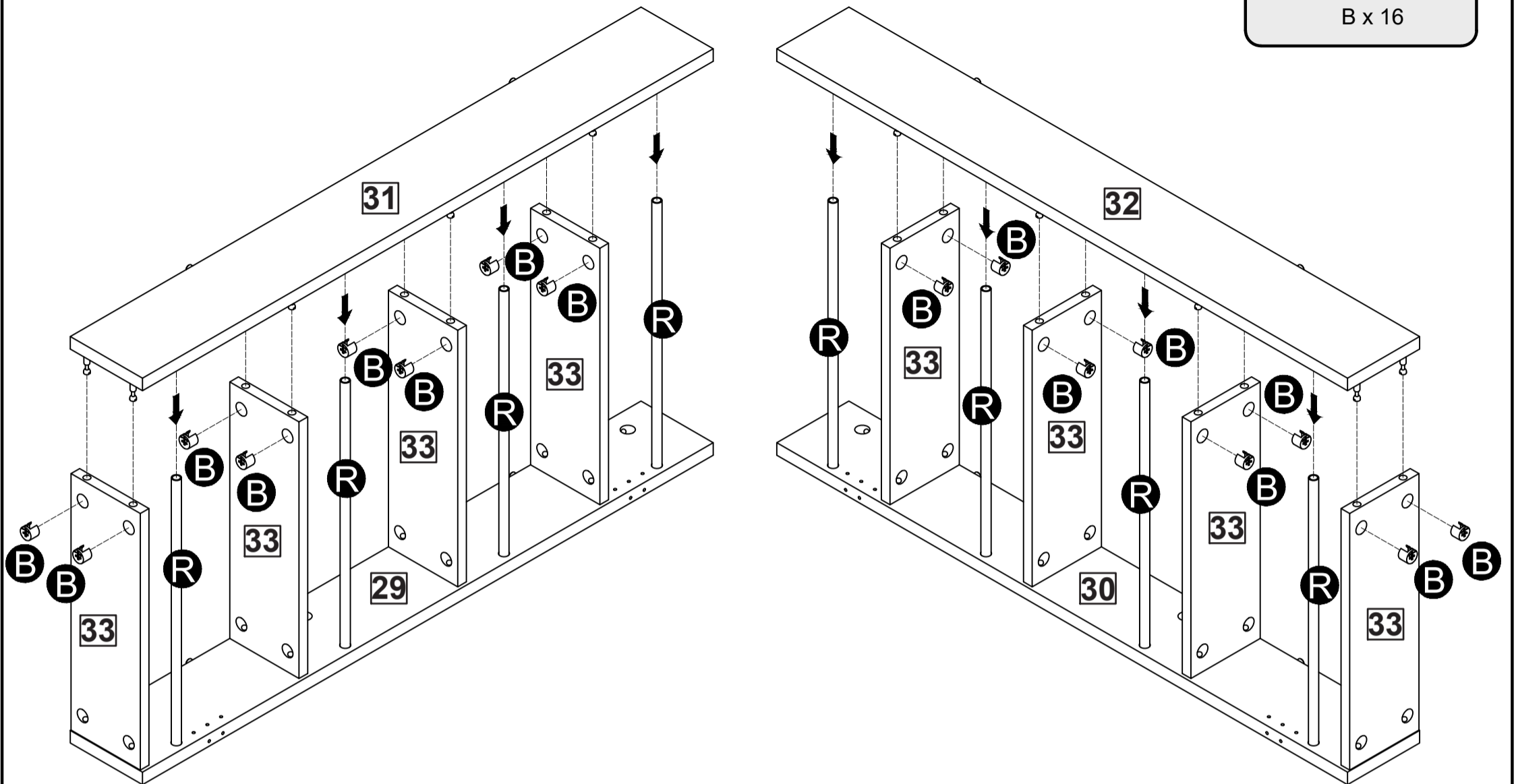
# Assembly Instructions

## Step 43

**B**



B x 16

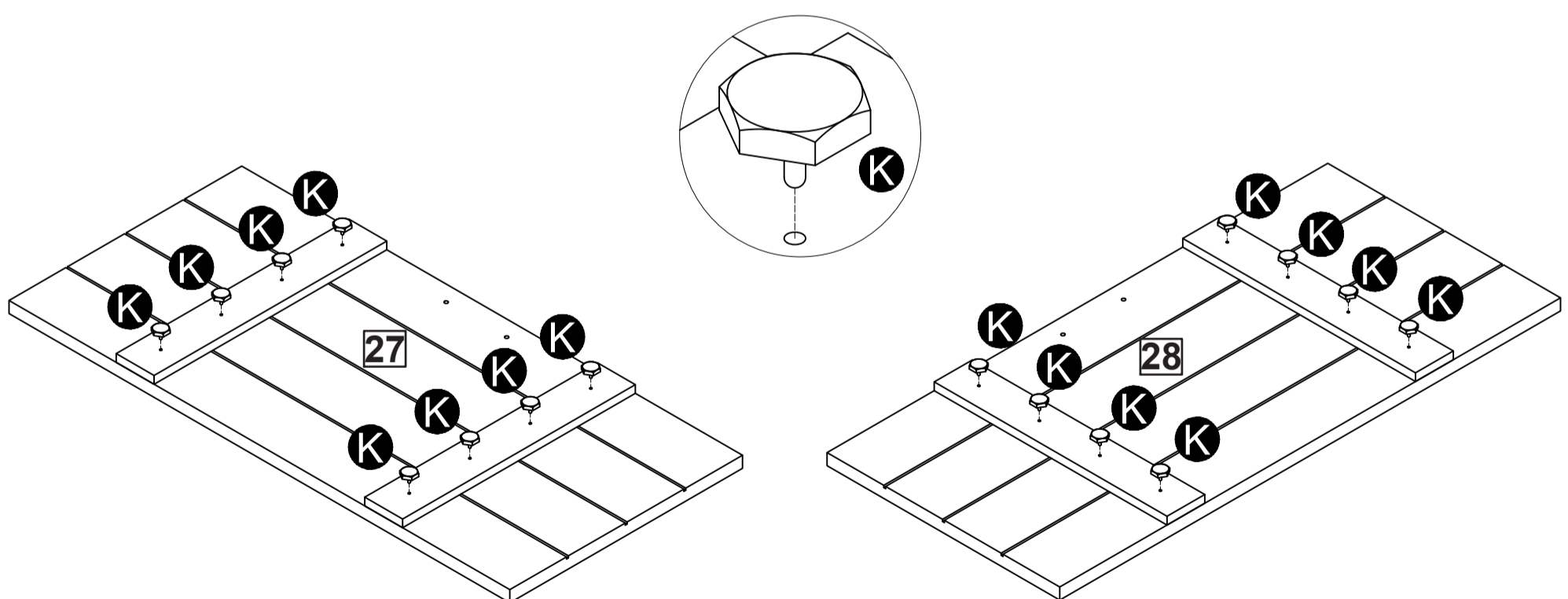


## Step 44

**K**

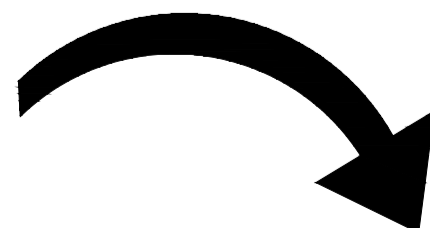


K x 16



Note: Before installation, take out the foam board in the package and place it on the ground to protect the product surface.


**180°**




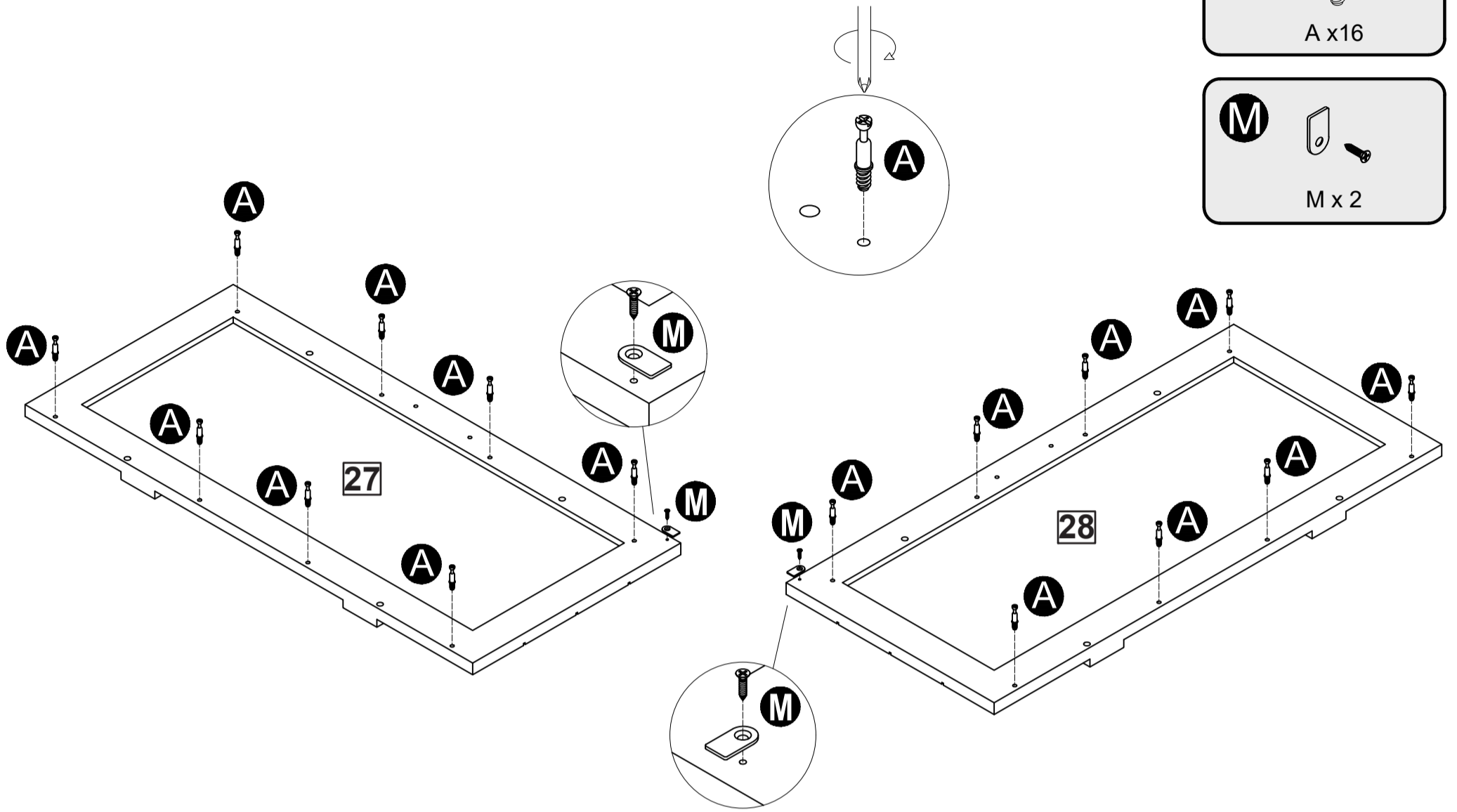


# Assembly Instructions

## Step 45

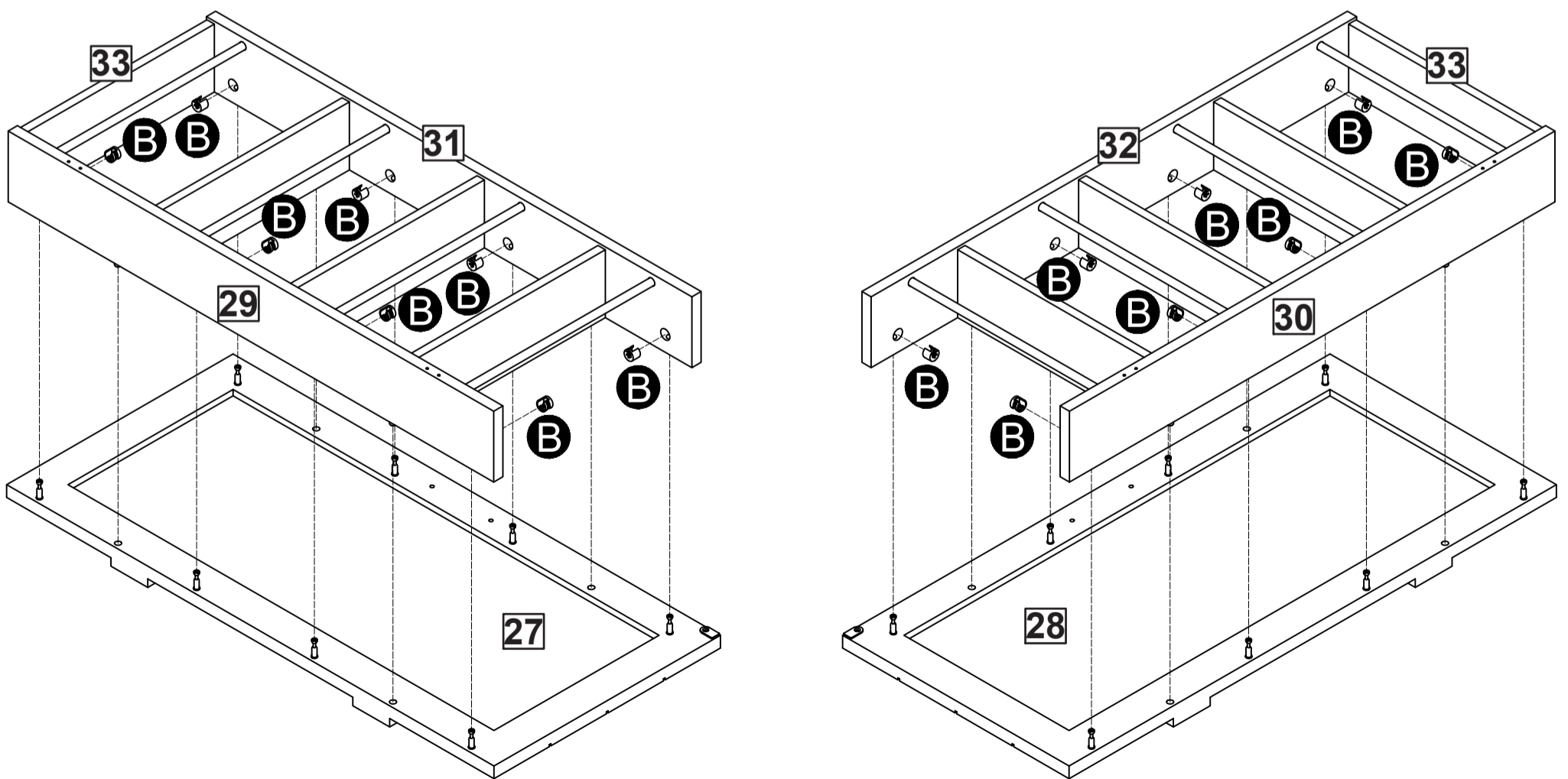
**A**  A x 16

**M**  M x 2



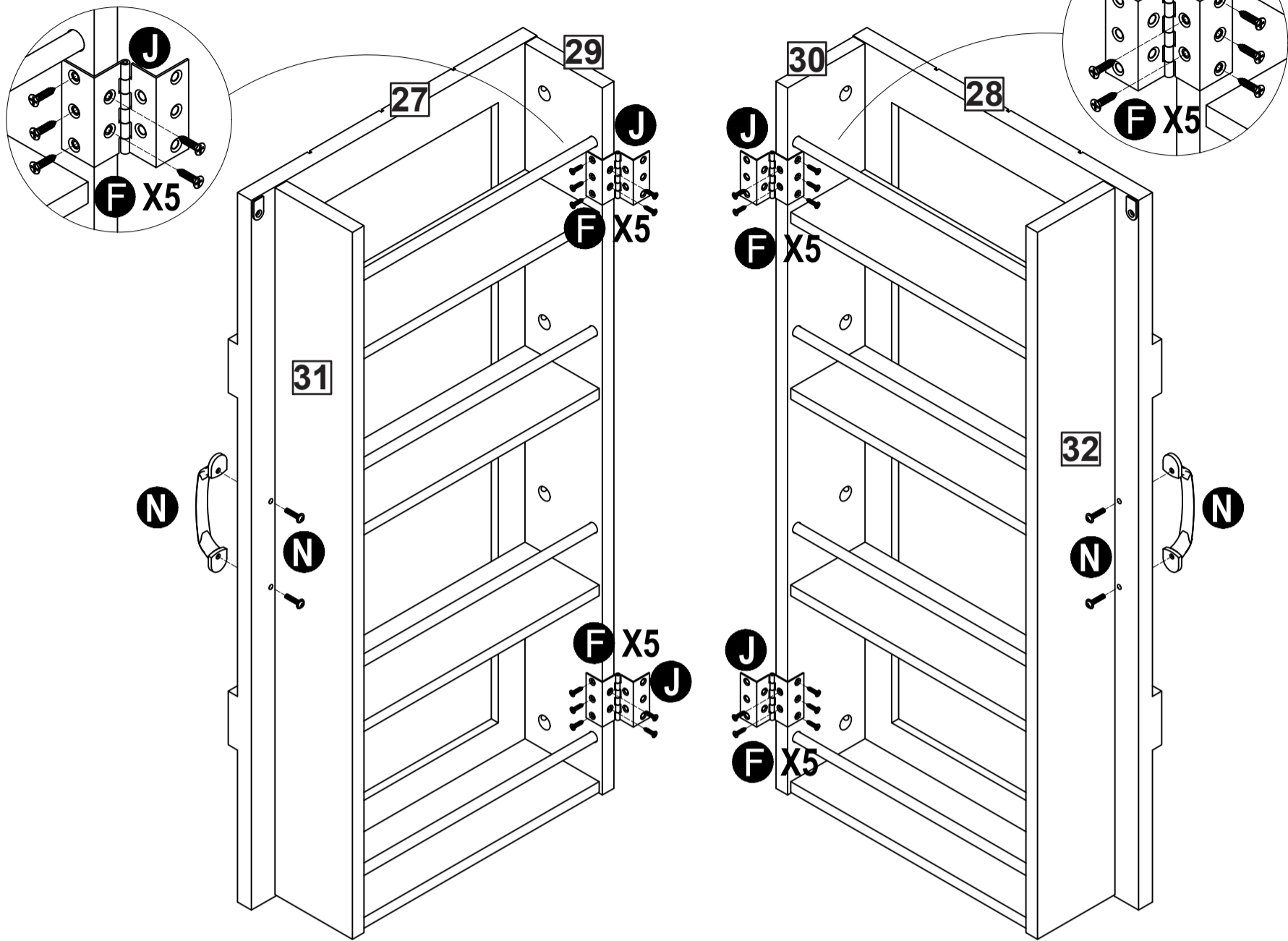
## Step 46


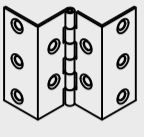
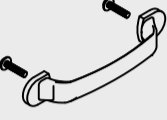
**B**  B x 16



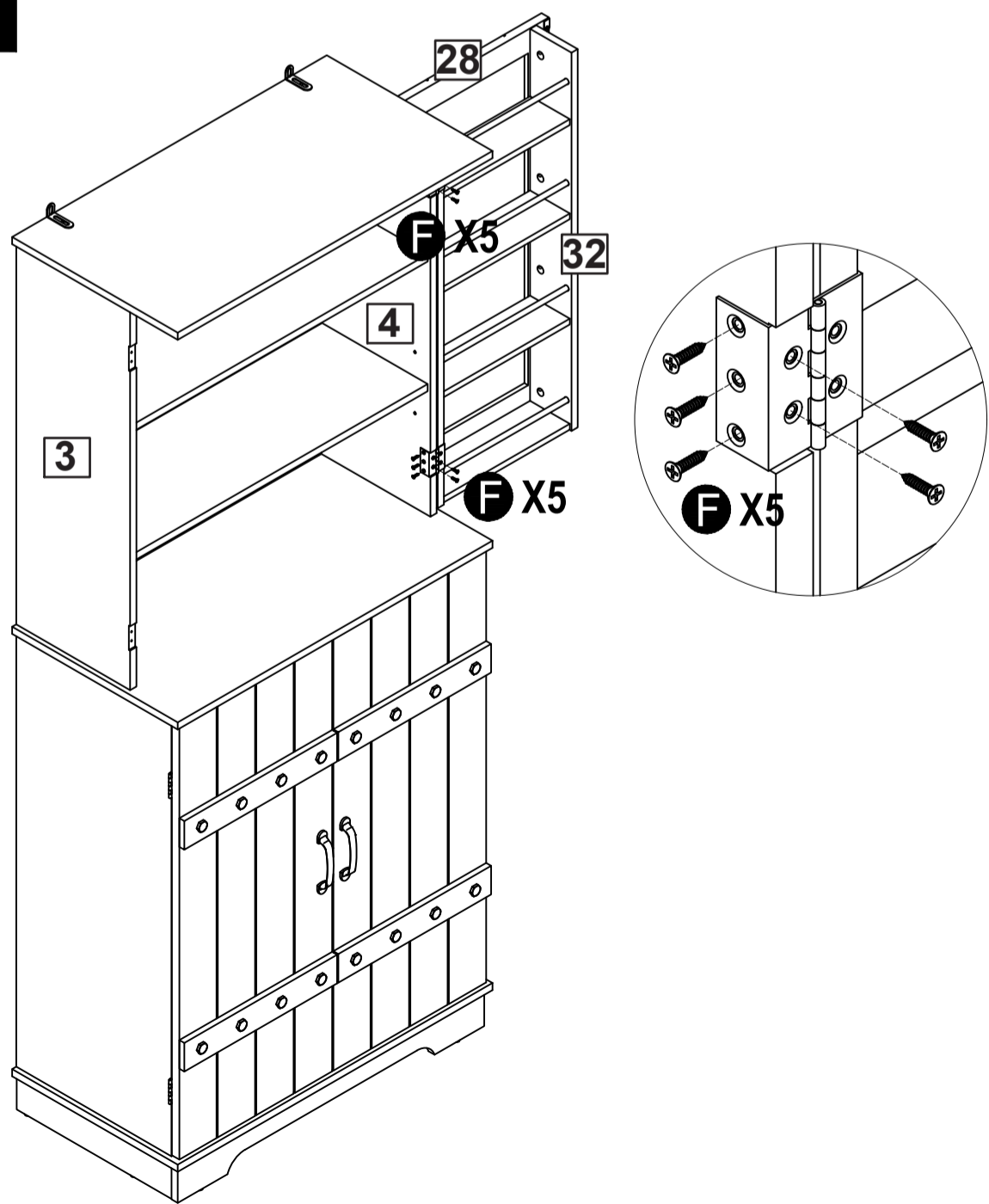
# Assembly Instructions


## Step 47



- F**  F x 20
- J**  J x 4
- N**  N x 2

## Step 48

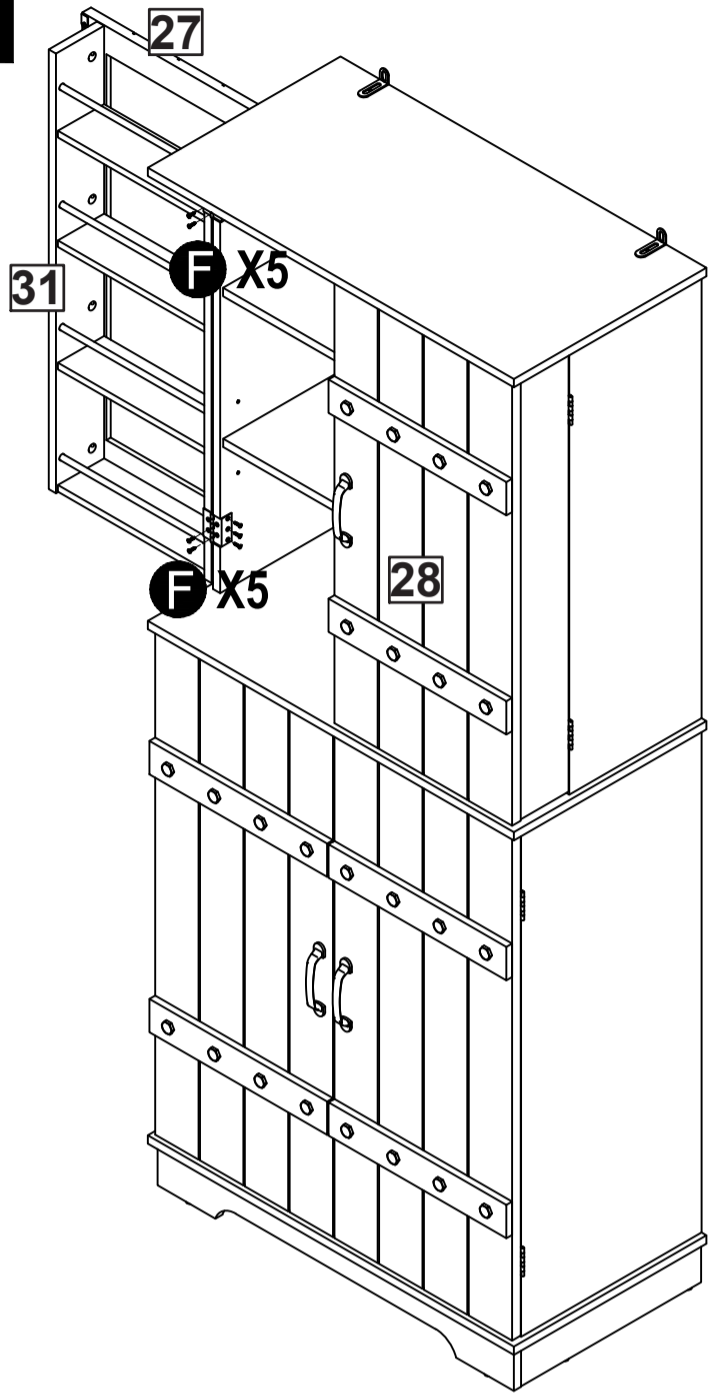
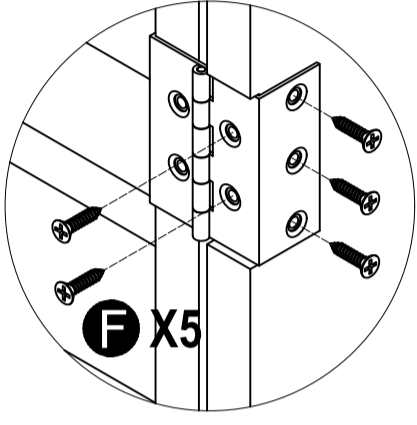
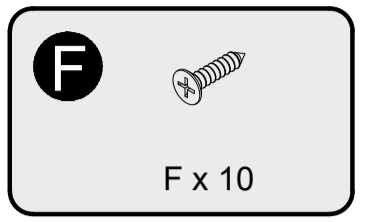


- F**  F x 10

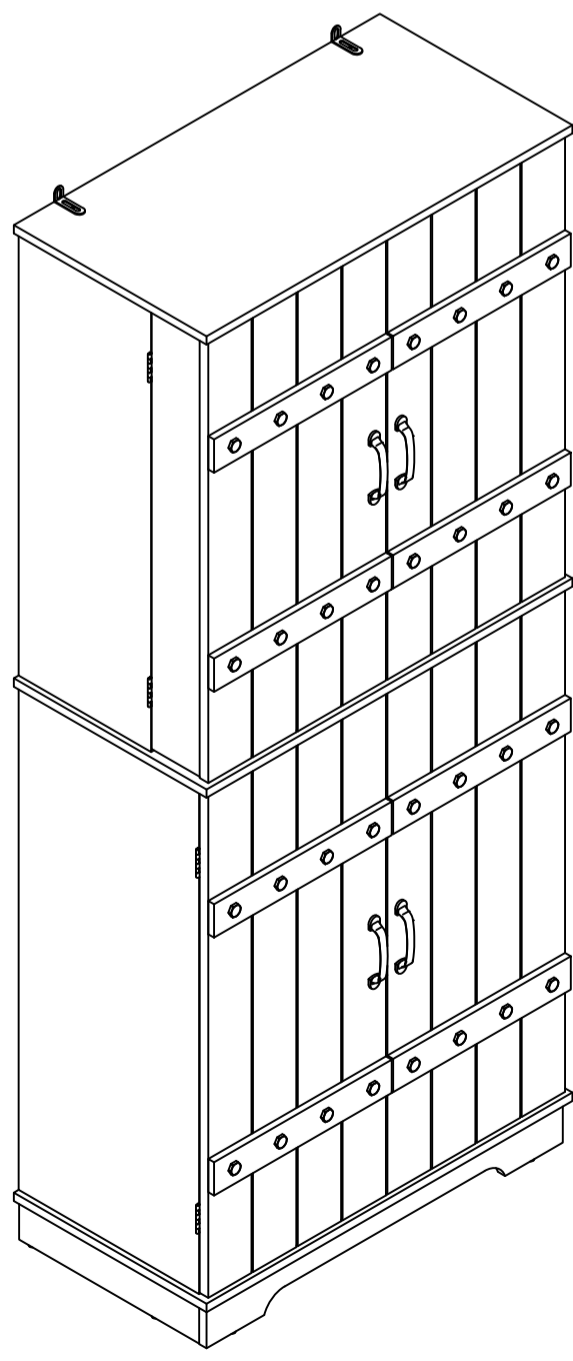


# Assembly Instructions

## Step 49



## Step 50



Assembly is complete.