

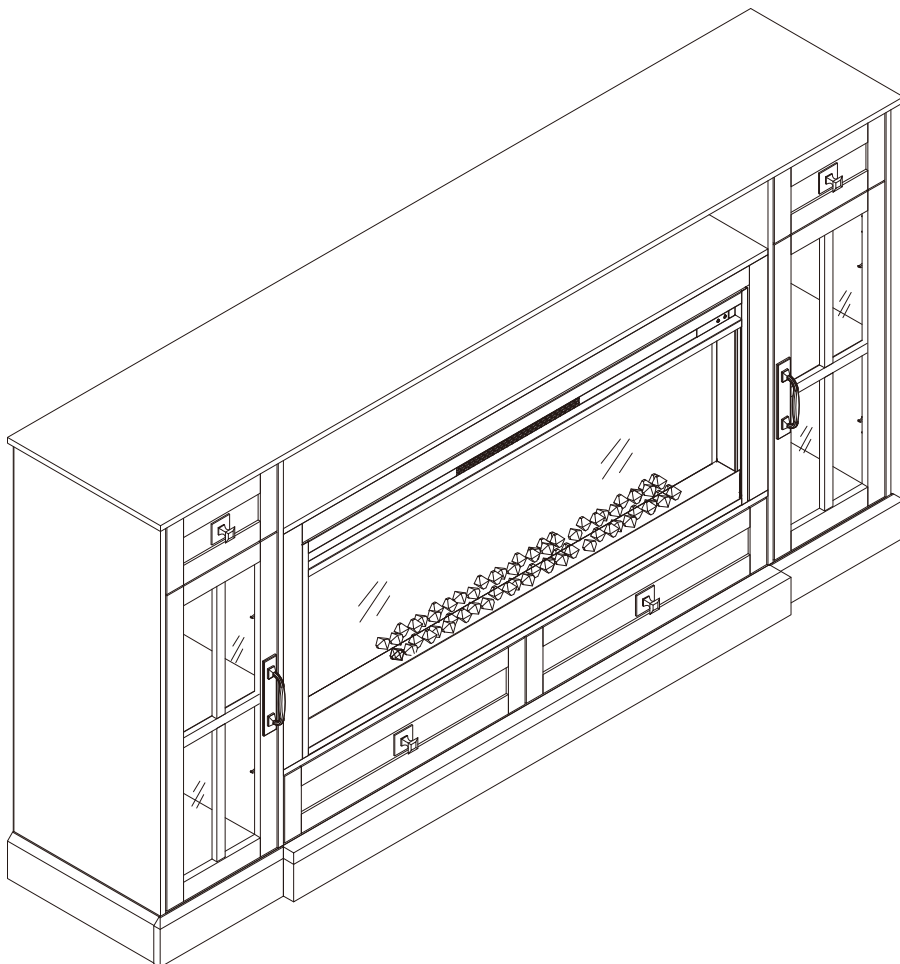
TV Stand

Assembly Instructions-Please keep for future reference



NOTE:

Comes with TWO PACKAGES with TWO TRACKINGS, may NOT be delivered at the same time.



Dimensions

width-70 inch
Depth-15.5inch
Heigh-32 inch

Any question please feel free to contact us:
support@amer-life.com TEL:(901)347-2181
We will provide further assistance within
24 hours

Important-Please read these instructions fully before starting assembly

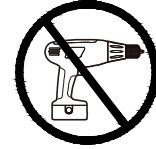


Safety and Care Advice

Important-Please read these instructions fully before starting assembly

- Check you have all the components and tools listed on the following pages.
- Remove all fittings from the plastic bags and separate them into their groups.
- Keep children and animals away from the work area, small parts could choke if swallowed.
- Make sure you have enough space to layout the parts before starting.

- During assembly do not stand or put weight on the product, this could cause damage/
- Assemble the item as close to its final position (in the same room) as possible.
- Assemble on a soft level surface to avoid damaging the unit or your floor.
- Parts of the assembly will be easier with 2 people.



power drill is set on a low torque setting .

- To reduce the likelihood of damaging your product please ensure that your

Care and maintenance

- Only clean using a damp cloth and mild detergent, do not use bleach or abrasive cleaners.

- From time to time check that there are no loose screws on this unit.

- This product should not be discarded with household waste. Take to your local authority waste disposal centre.

Handy Hints

- Assemble all parts and bolts loosely during assembly, only once the product is complete should you fully tighten the bolts.

- Regularly check and ensure that all bolts and fittings are tightened properly.

WARNING

In order to help prevent overturning- please follow these instructions

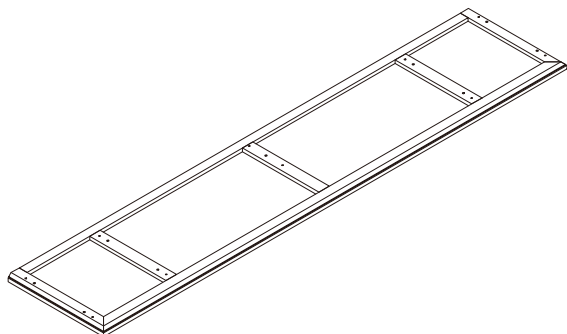
To help prevent product toppling over please follow the steps below:

- Must use the anti tip strap or wall fixing method provided (whichever applies).
- Do not allow children to climb or hang on the furniture.
- Do not place heavy items on top of the furniture, unless the furniture has been designed for this purpose
- Installation shall be carried out exactly according to the instructions-otherwise a safety risk can occur
- In order to prevent falling down this product must be used with the wall attachment device provided

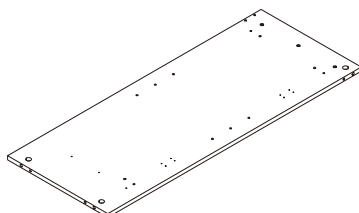
please note that only the wall attachment device is provided. You will need to supply wall plugs and screws applicable for your wall type.

Components-Panels

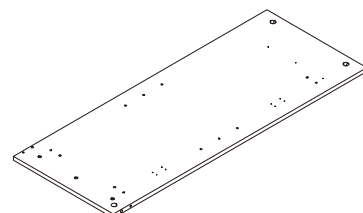
Please check you have all the panels listed below



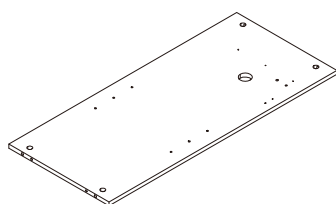
1 (177.8 x 36.6 x 2.4cm) x1



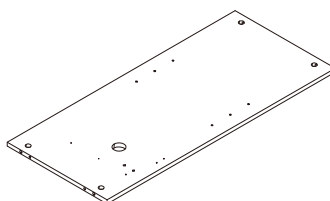
2 (89 x 35.1 x 1.2cm) x1



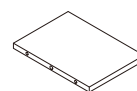
3 (89 x 35.1 x 1.2cm) x1



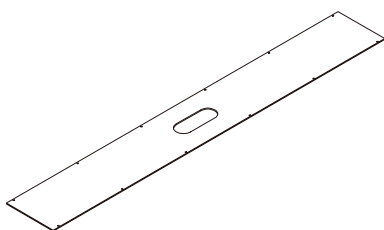
4 (80 x 35.1 x 1.2cm) x1



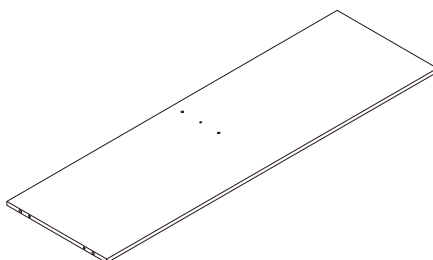
5 (80 x 35.1 x 1.2cm) x1



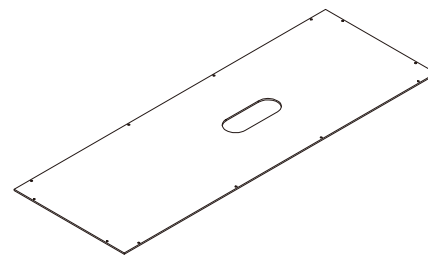
6 (14.4 x 20 x 1.2cm) x1



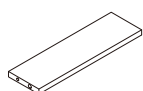
7 (116.4 x 16.4 x 0.3cm) x1



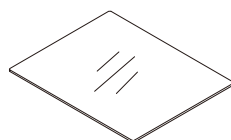
8 (116x 35.1 x1.2cm) x1



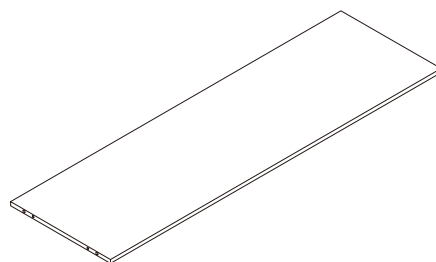
9 (82 x 29 x0.3cm) x2



10 (27 x 8 x1.2cm) x2



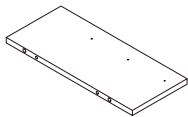
11 (26.6 x 32.8 x0.4cm) x2



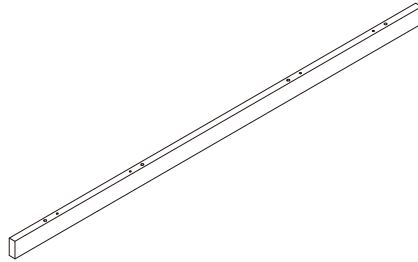
12 (116 x 35.1 x1.2cm) x1

Components-Panels

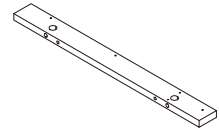
Please check you have all the panels listed below



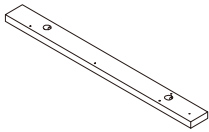
13 (33.2 x 14.4 x 1.2cm) x1



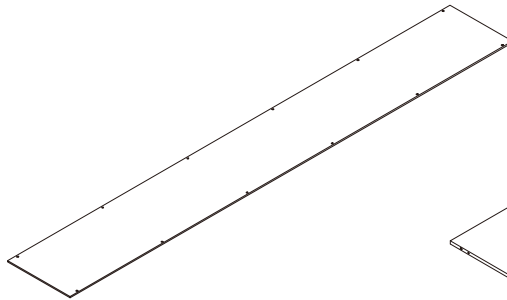
14 (107 x 4 x 1.5cm) x1



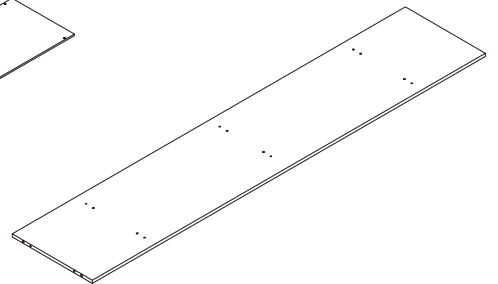
15 (48.8 x 4.5 x 1.5cm) x1



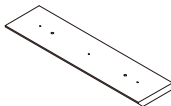
16 (48.8 x 4.5 x 1.5cm) x1



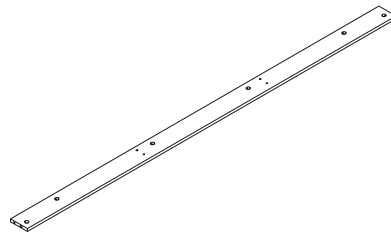
17 (116.4 x 16.4 x 0.3cm) x1



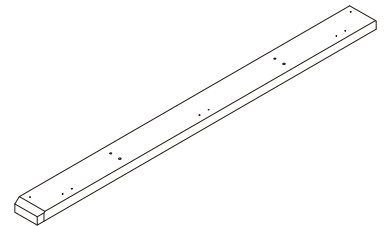
18 (172.4 x 35.1 x 1.2cm) x1



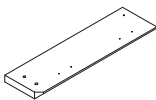
19 (35.1 x 9 x 1.5cm) x2



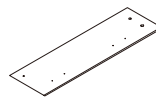
20 (172.4 x 7.8 x 1.2cm) x1



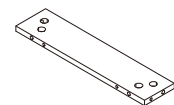
21 (119 x 9 x 4cm) x1



22 (31 x 9 x 1.5cm) x1



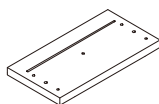
23 (31 x 9 x 1.5cm) x1



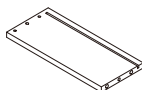
24 (33.9 x 7.8 x 1.2cm) x2

Components-Panels

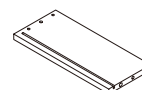
Please check you have all the panels listed below



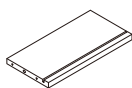
25 (26.4 x 13.8x1.7cm) x2



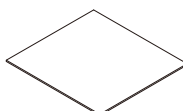
26 (25 x 11x 1.2cm) x4



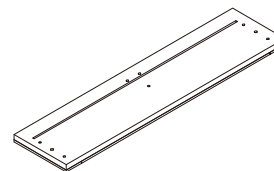
27 (25 x 11x 1.2cm) x4



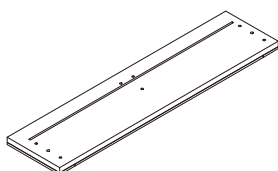
28 (22 x 11 x 1.2cm) x2



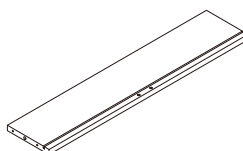
29 (23 x 24.8x 0.3cm) x2



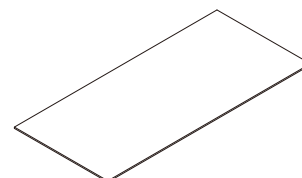
30 (57.55 x 13.8 x 1.7cm) x1



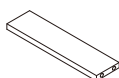
31 (57.55 x 13.8 x 1.7cm) x1



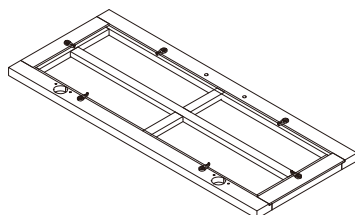
32 (52.4 x 11 x 1.2cm) x2



33 (52.4 x 24.8 x 0.3cm) x2



34 (23.8 x 6 x 1.2cm) x2




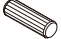
















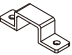
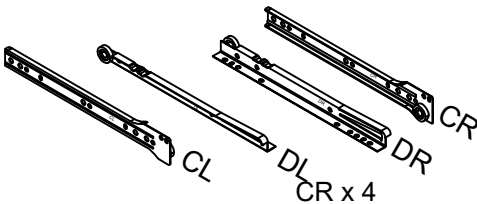






35 (65.3 x 26.4 x 1.8cm) x2

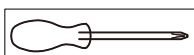
Components-Fittings

Please check you have all the fittings listed below

NOTE: The quantities below are the correct amount to complete assembly. In some cases more fittings may be supplied than are required.

A  7*34mm Cam Bolt x 76	B  15*9Cam Lock x 76	C  6*30mm Wooden Dowel x 72
D  6*20mm Wooden Dowel x 4	E  Stopper x 2	F  3*14mm Screw x 4
G  3.5*12mm Screw x 116	H  Hinge x 4	I  Washer x 4
J  4*25mm Screw x 6	K  4*30mm Screw x 16	L  4*45mm Screw x 4
M  Handle x 2	N  5/32*15mm Handle bolt x 4	O  5/32*21mm Handle bolt x 4
P  Shelf support x 8	Q  Plastic connector x 7	S  Handle x 4
T  3.5*16 Screw x 48	U  4*12mm Screw x 6	
W  Wire dip x 4	 CL DL DR CR x 4	 4*12mm Screw x 2
		 4*25mm Screw x 2
		 Plastic strap x 2
		 Nut x 2

Tools required



Phillips screwdriver
(medium & large)

Ruler - Use this ruler to help correctly identify the screws

0 5 10 15 20 25 30 35 40 45 50 55 60 65 70 75 80 85 90 95 100 105 110 115 120 125 130 135 140 145 150 155 160 165 170



The screws length is measured from the head to the Point (30mm screw shown).

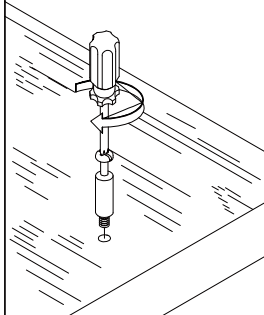
Using Camlocks

Step 1

Connect the male camlock as directed in the assembly instructions using a screwdriver.

1

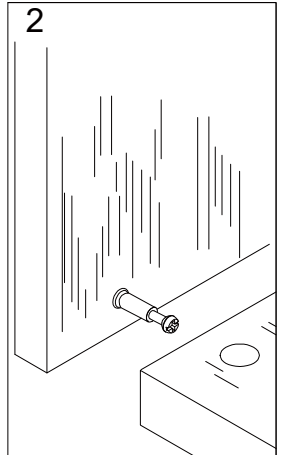
DO NOT OVER TIGHTEN.
NE PAS SERRER EXCESSIVEMENT.



Step 2

Push the male camlock into the entry hole.

2

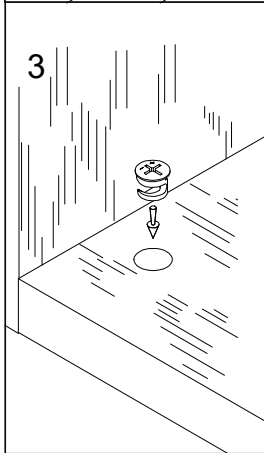


Step 3

Insert the female camlock as shown in the instructions.

Note: ensure that the arrow on the top of the camlock points towards the entry hole for the male camlock.

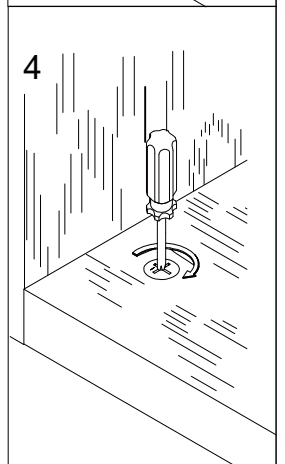
3



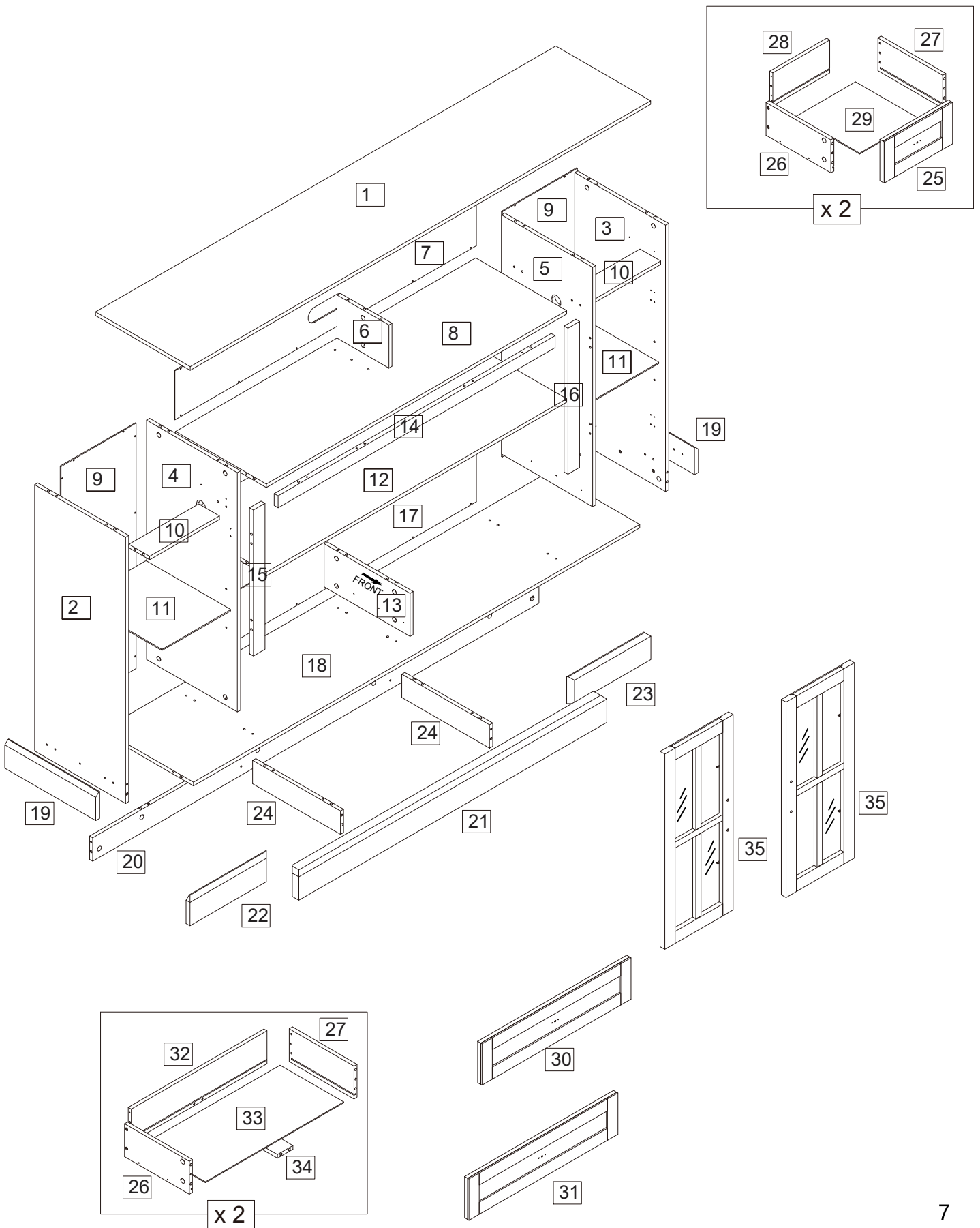
Step 4

Turn the female camlock clockwise with a screwdriver. You should feel a click when the camlock is locked in place. The joint is now secure.

4

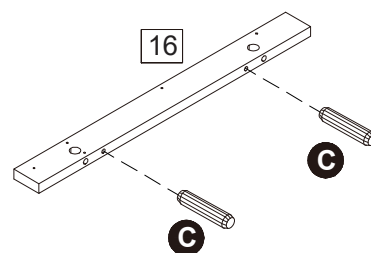
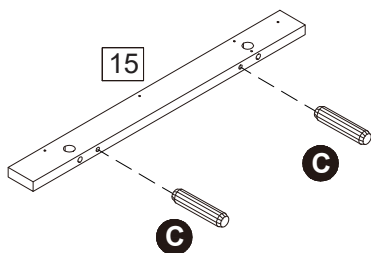
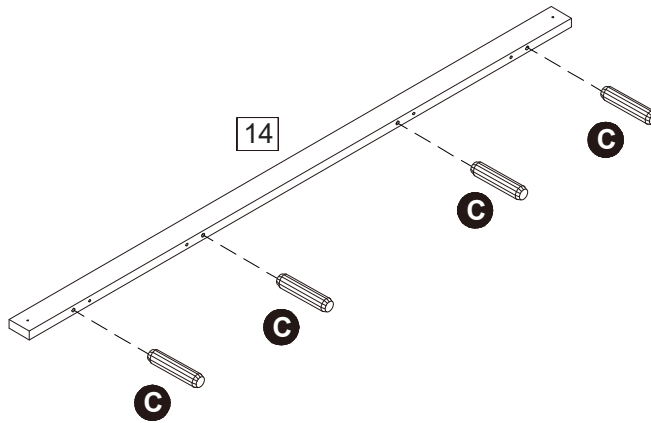
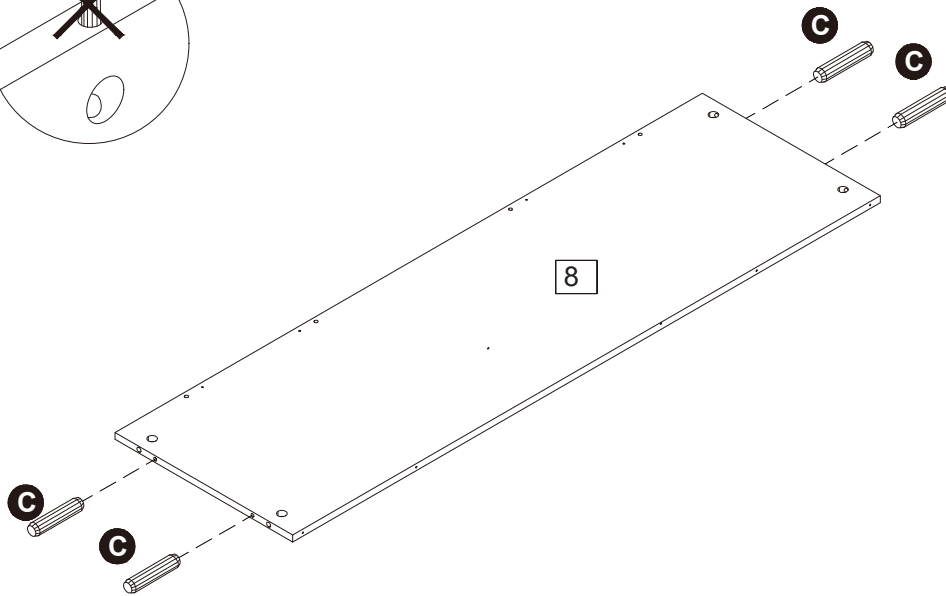
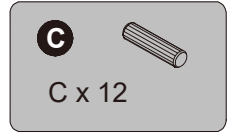
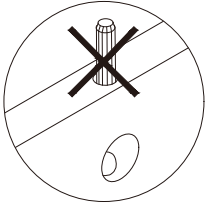


Assembly Instructions



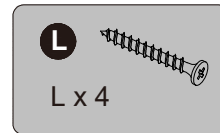
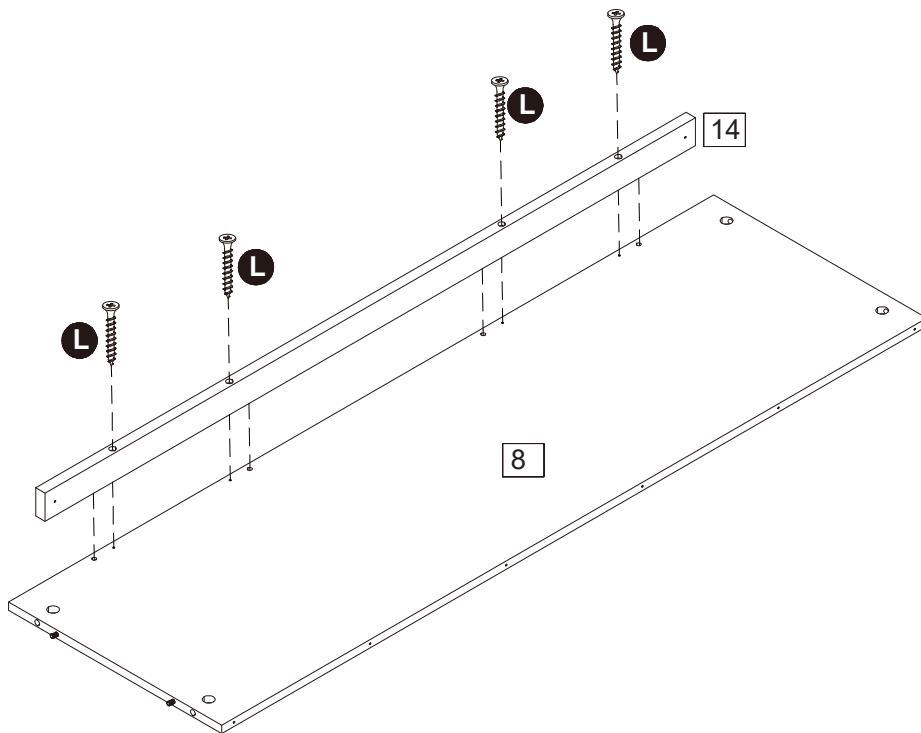
Assembly Instructions

Step 1

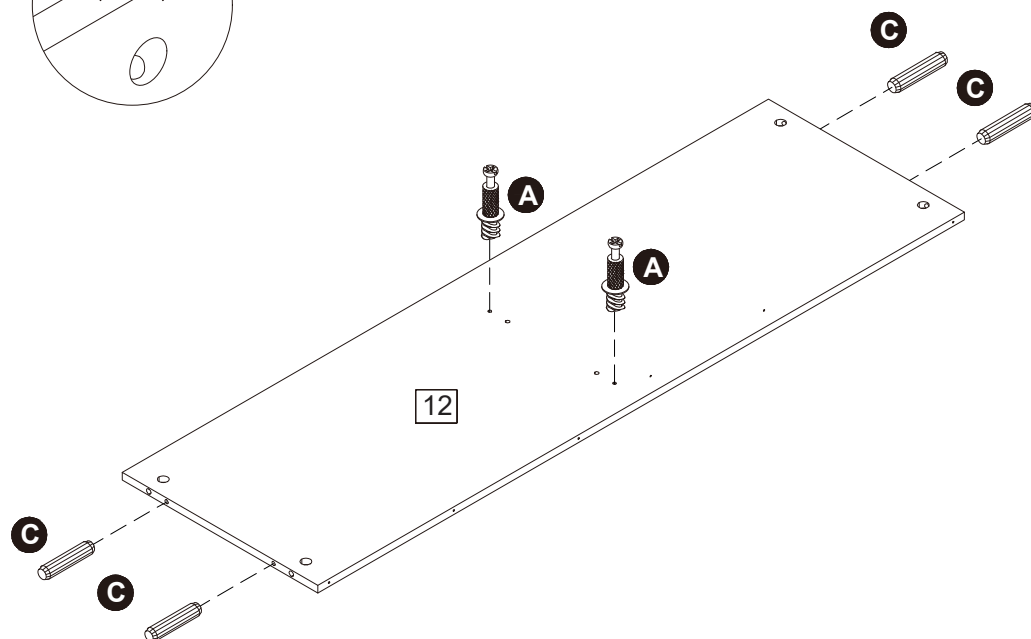
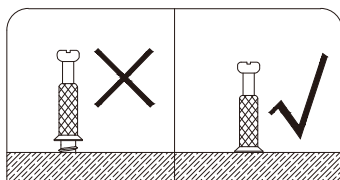
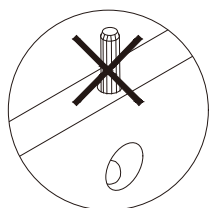


Assembly Instructions

Step 2

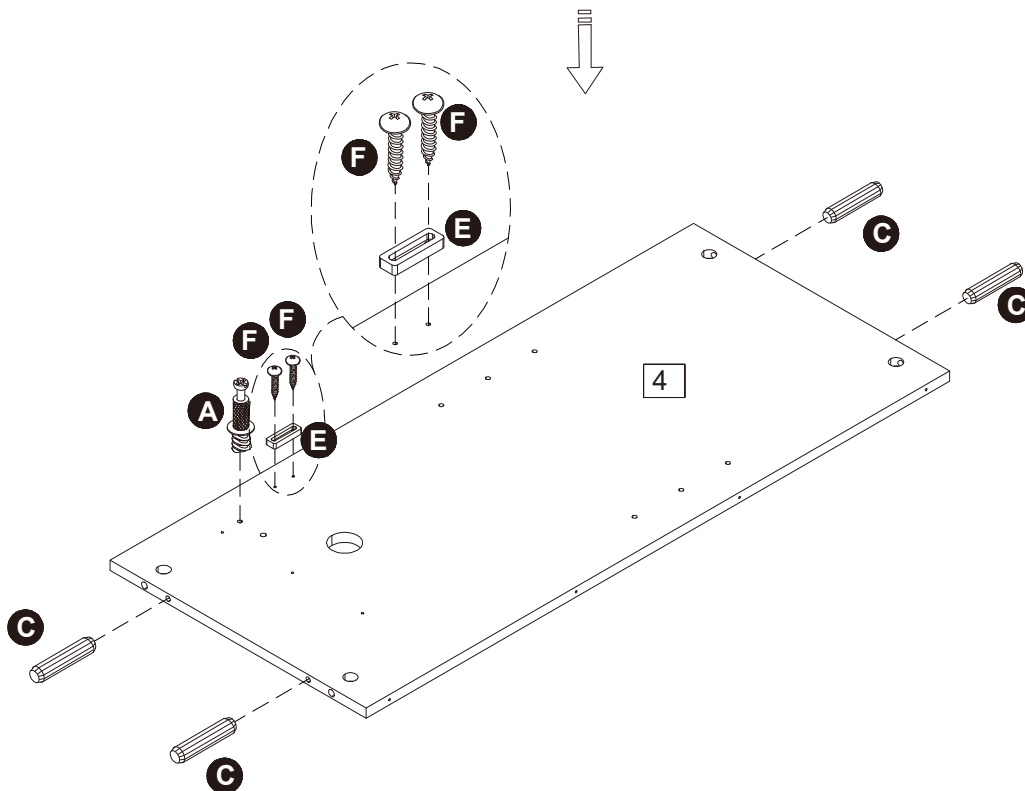
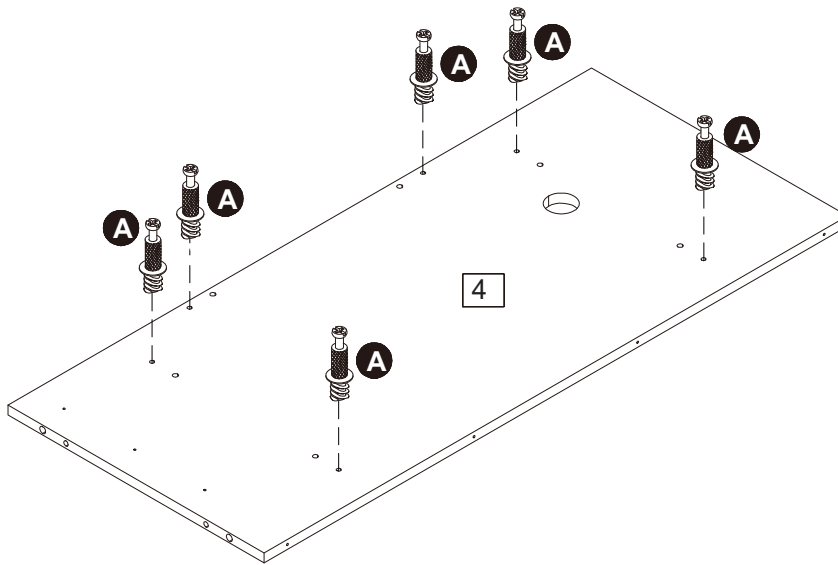
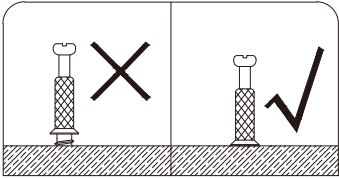


Step 3



Assembly Instructions

Step 4

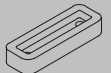


A 

A x 7

C 

C x 4

E 

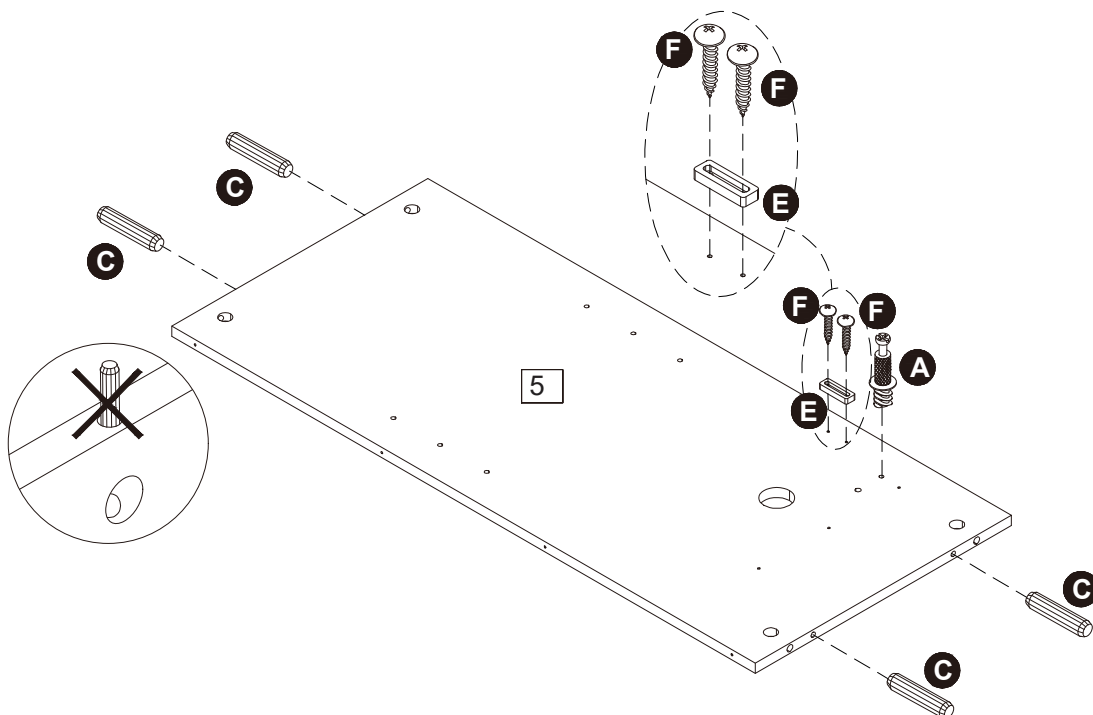
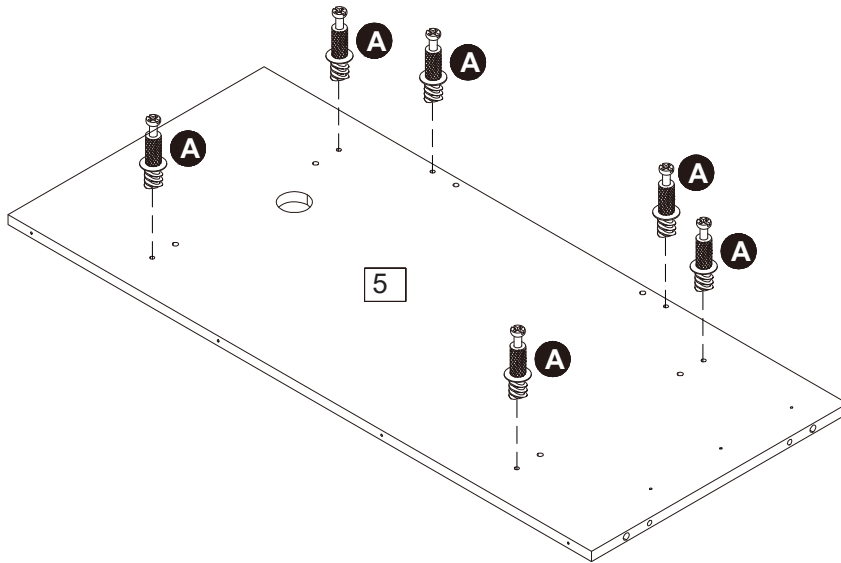
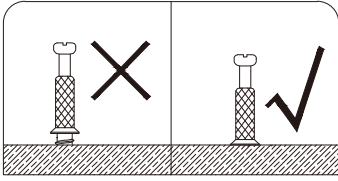
E x 1

F 

F x 2

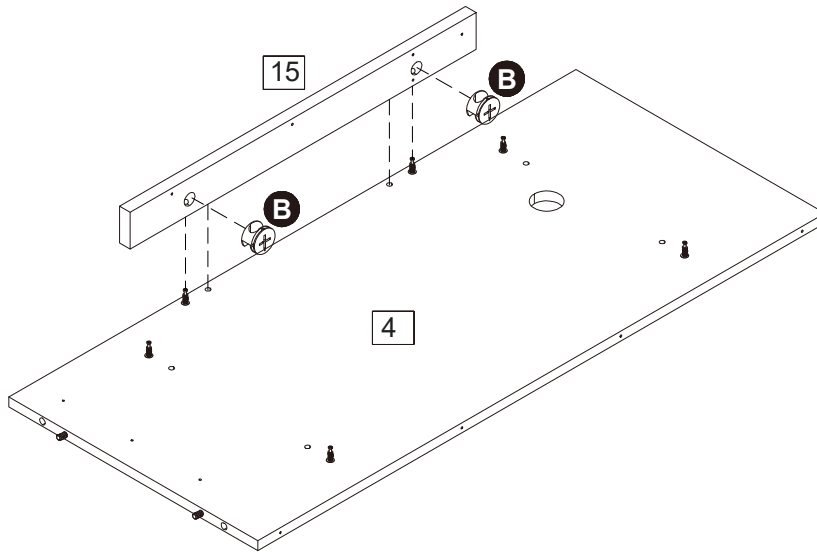
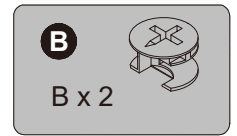
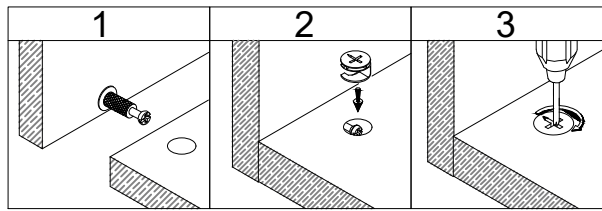
Assembly Instructions

Step 5

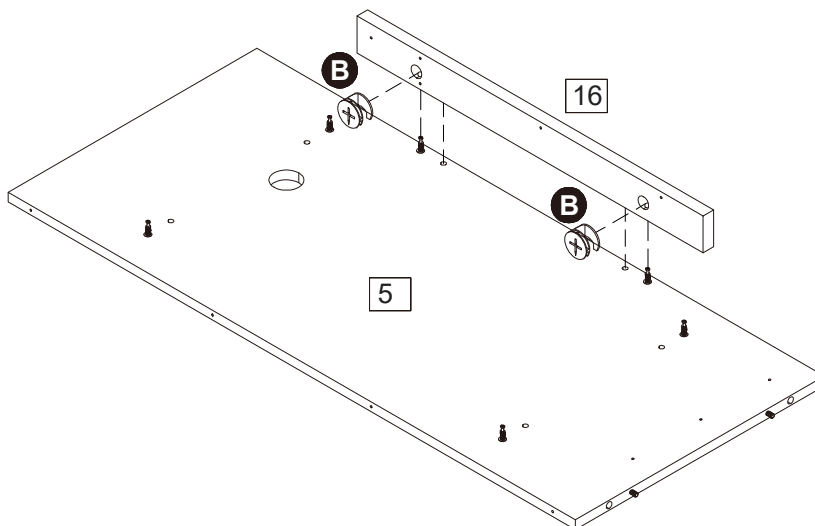
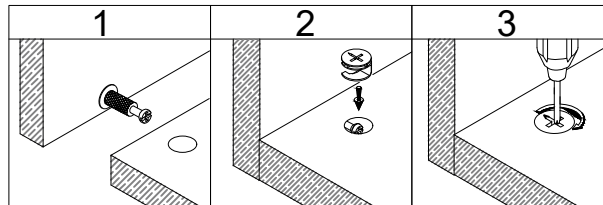


Assembly Instructions

Step 6

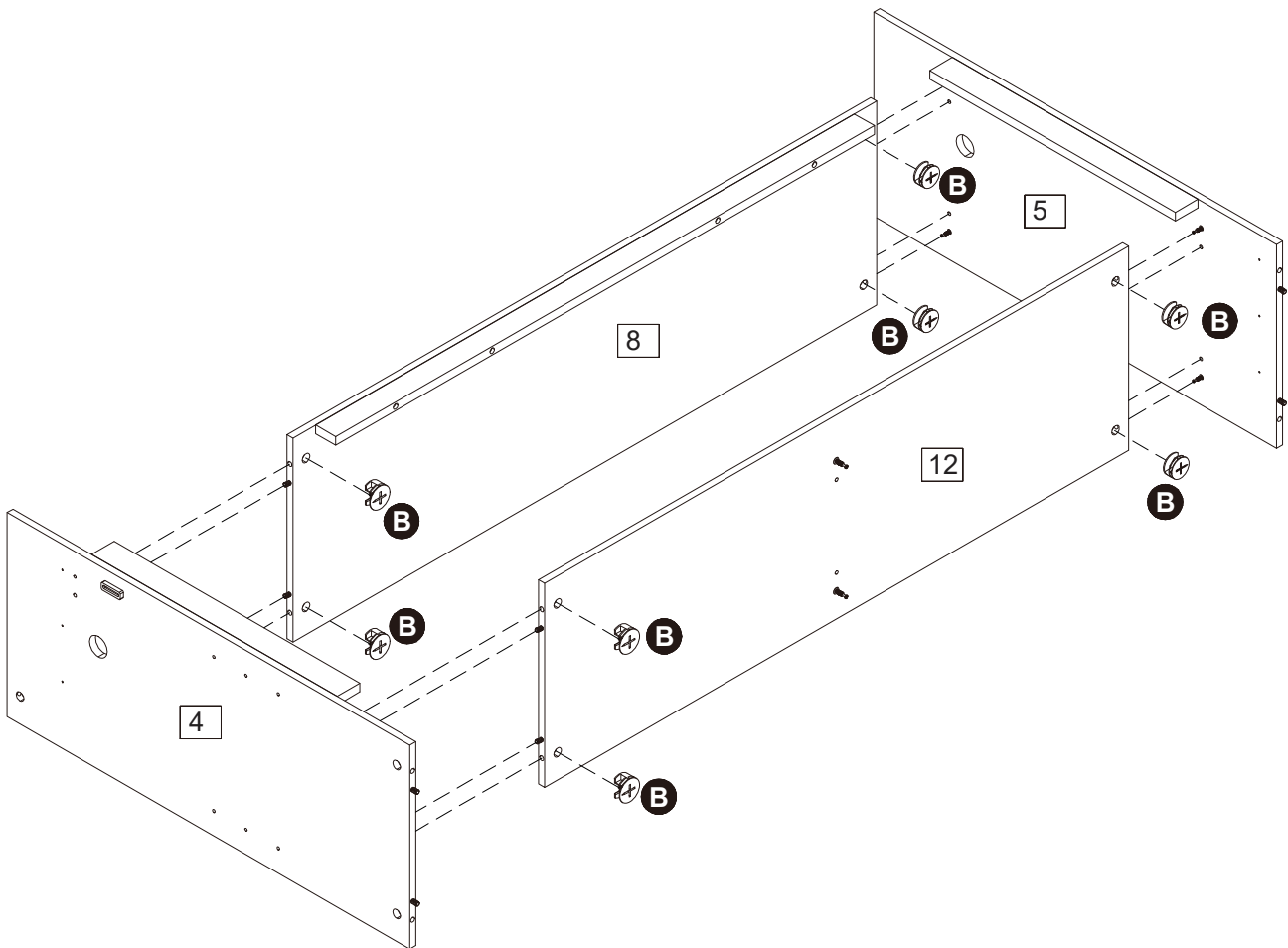
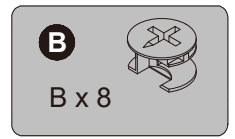
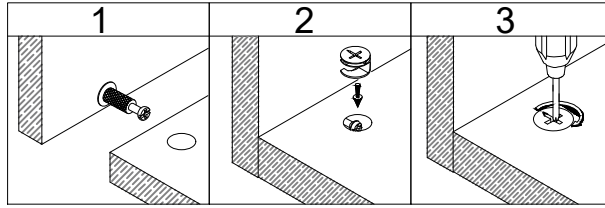


Step 7



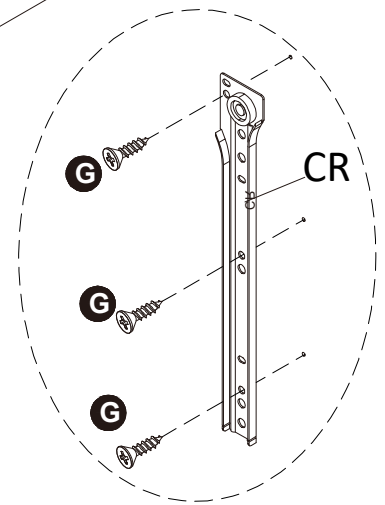
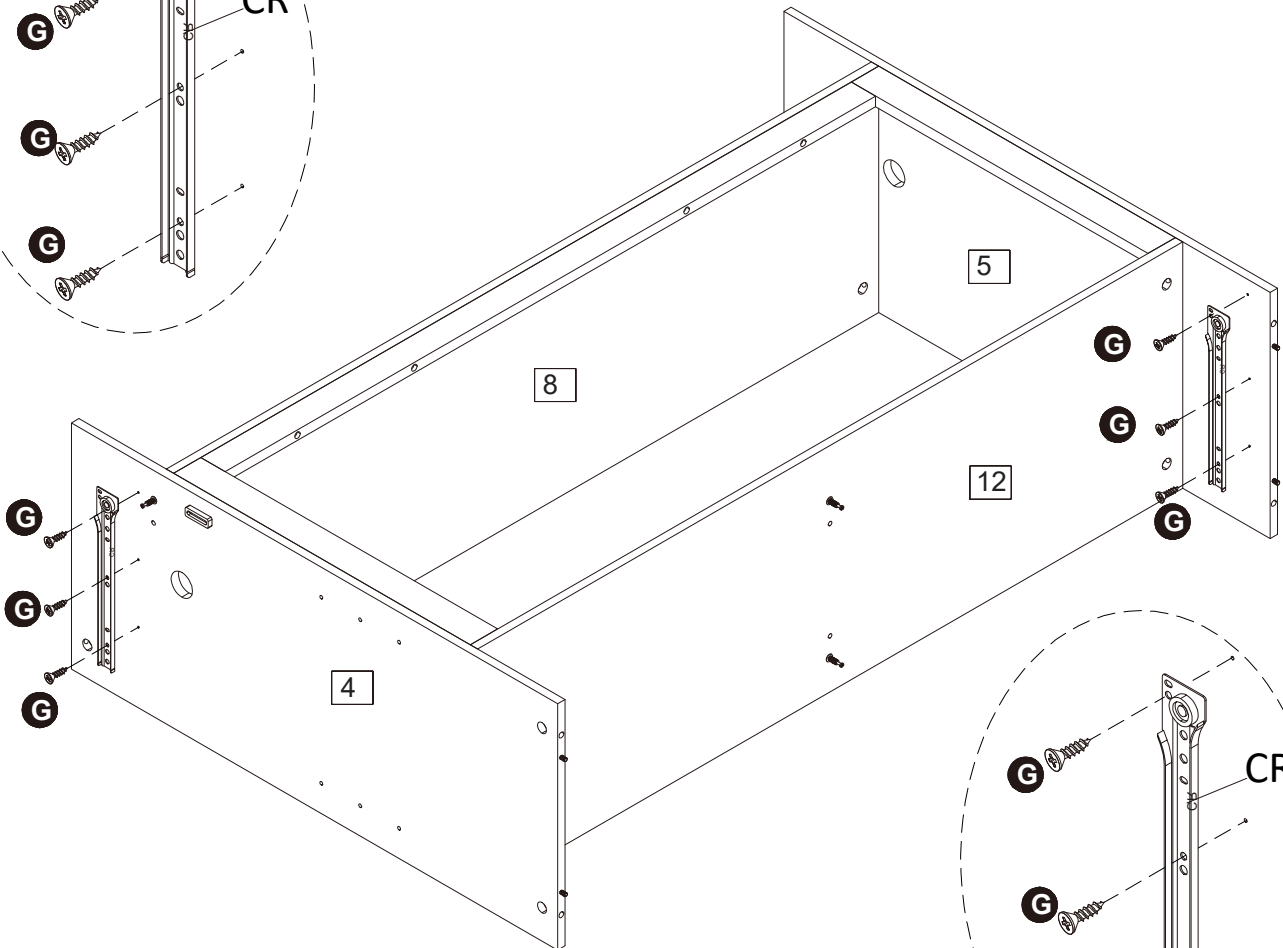
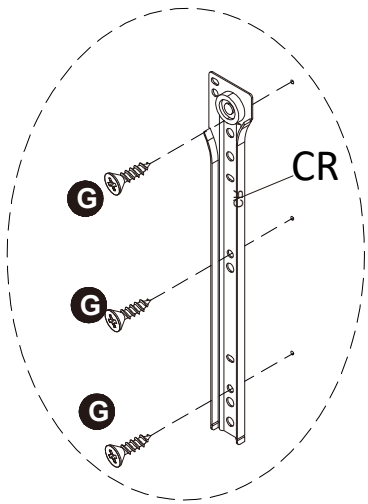
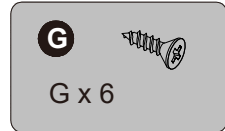
Assembly Instructions

Step 8



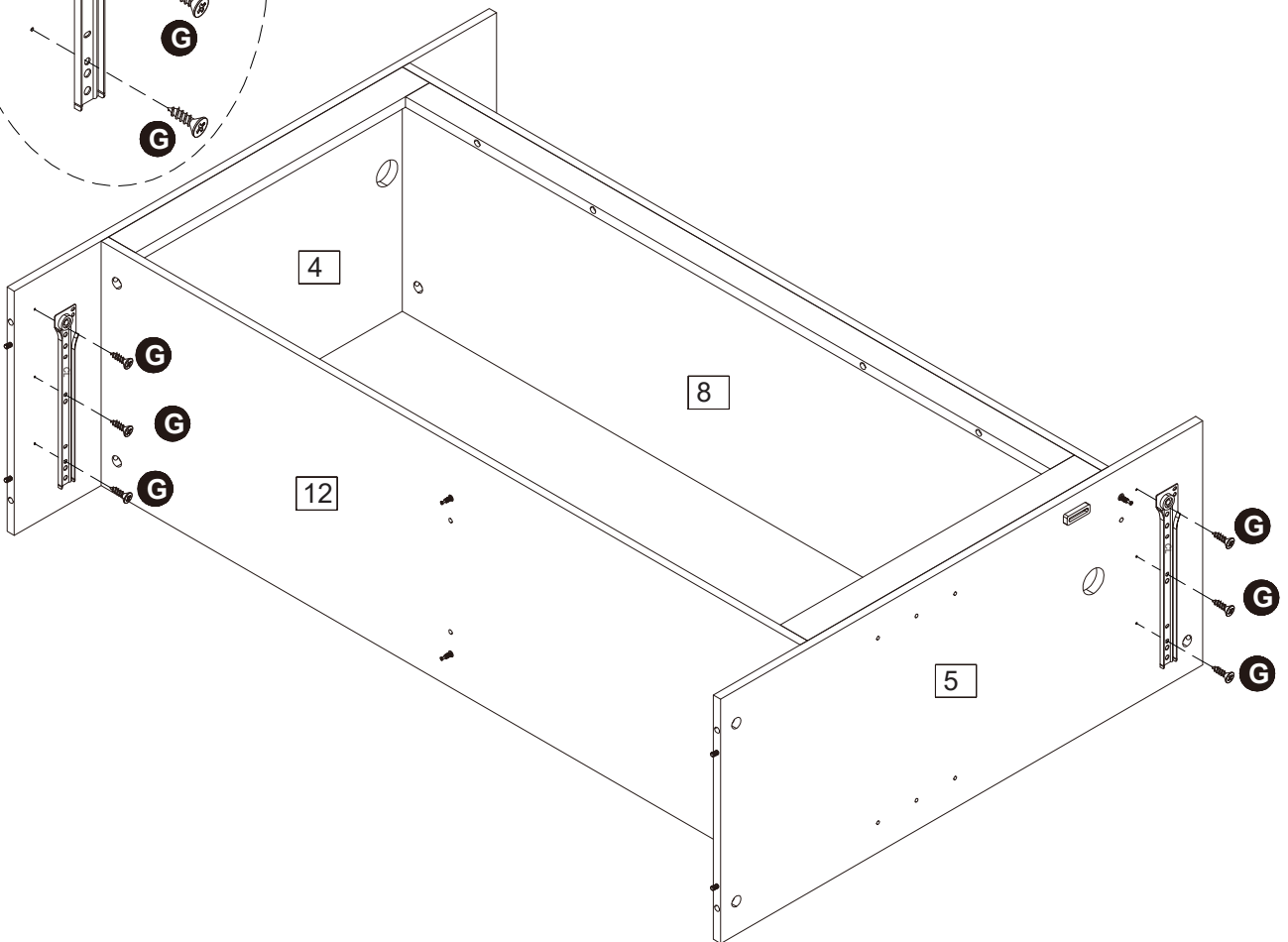
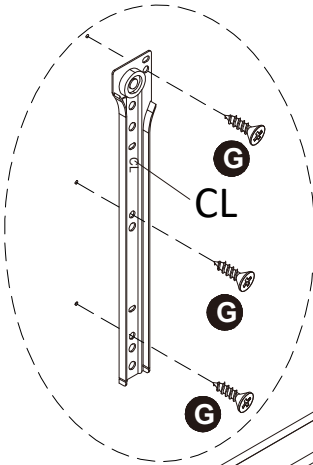
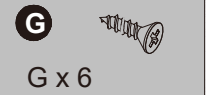
Assembly Instructions

Step 9



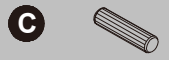
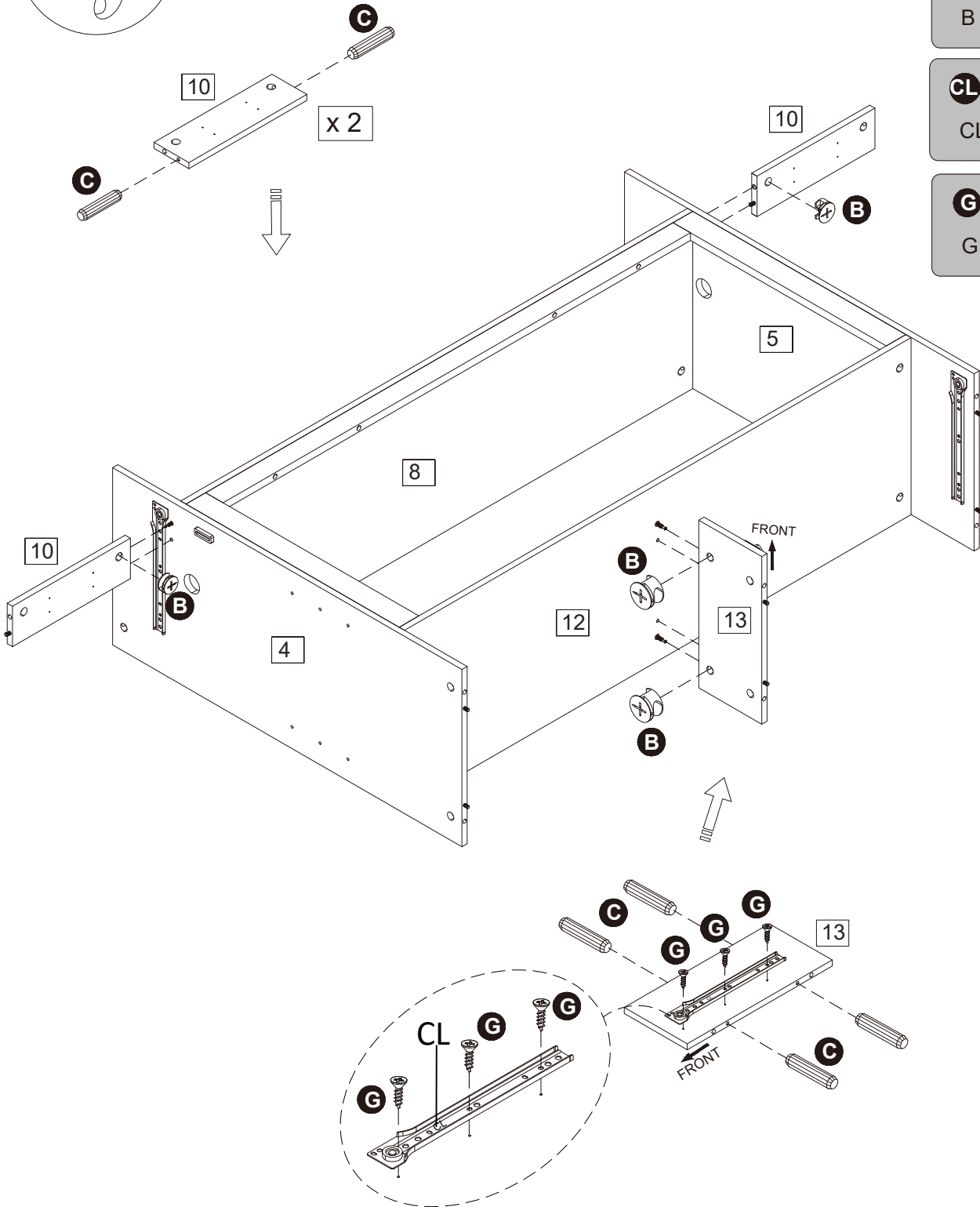
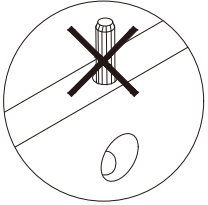
Assembly Instructions

Step 10



Assembly Instructions

Step 11



C x 4



B x 4



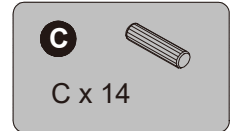
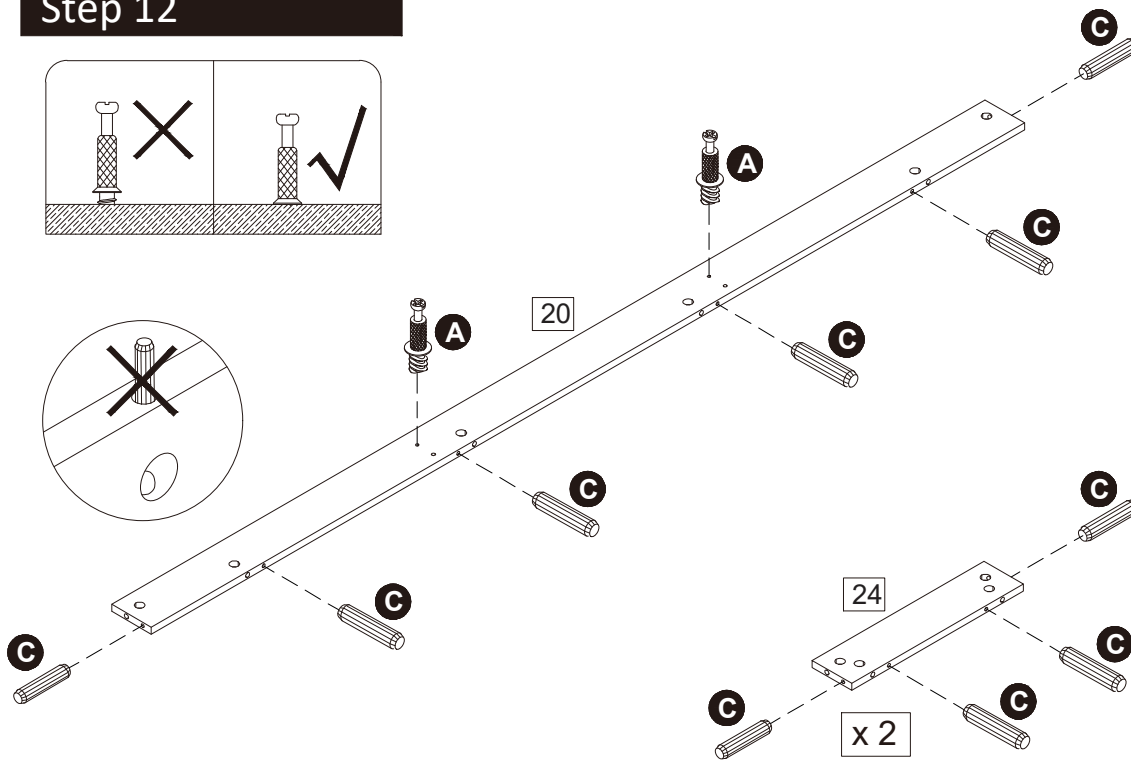
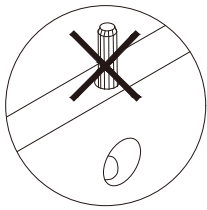
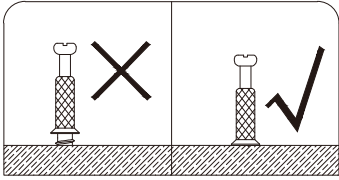
CL x 1



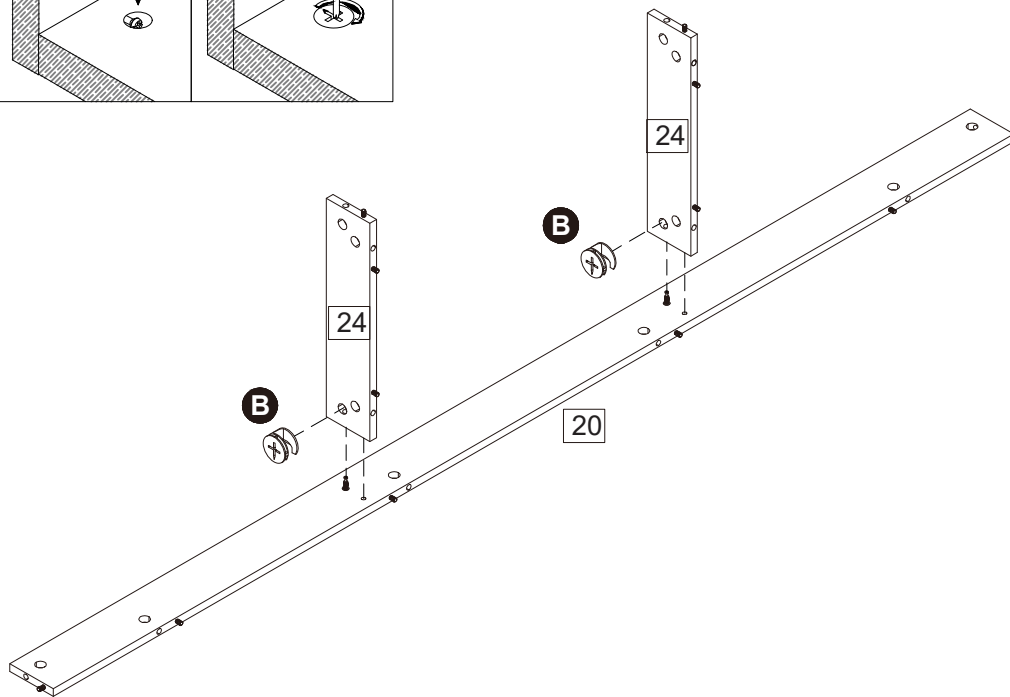
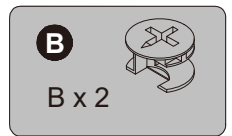
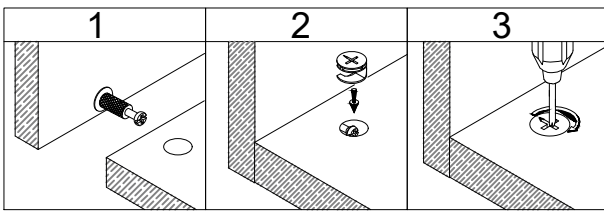
G x 3

Assembly Instructions

Step 12

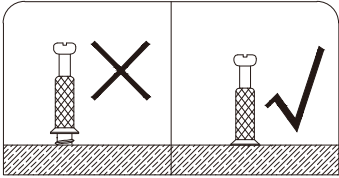


Step 13



Assembly Instructions

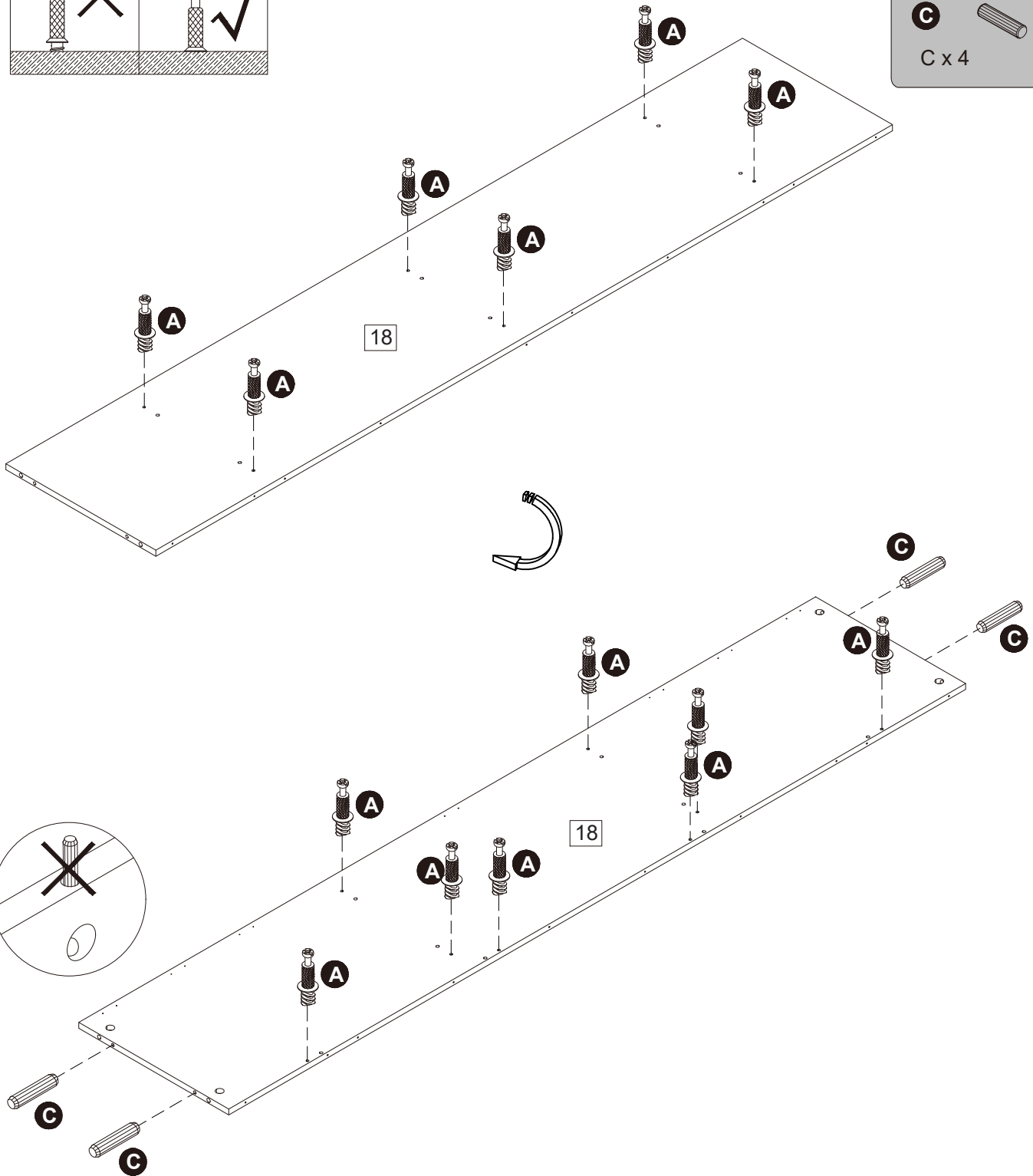
Step 14



A x 14

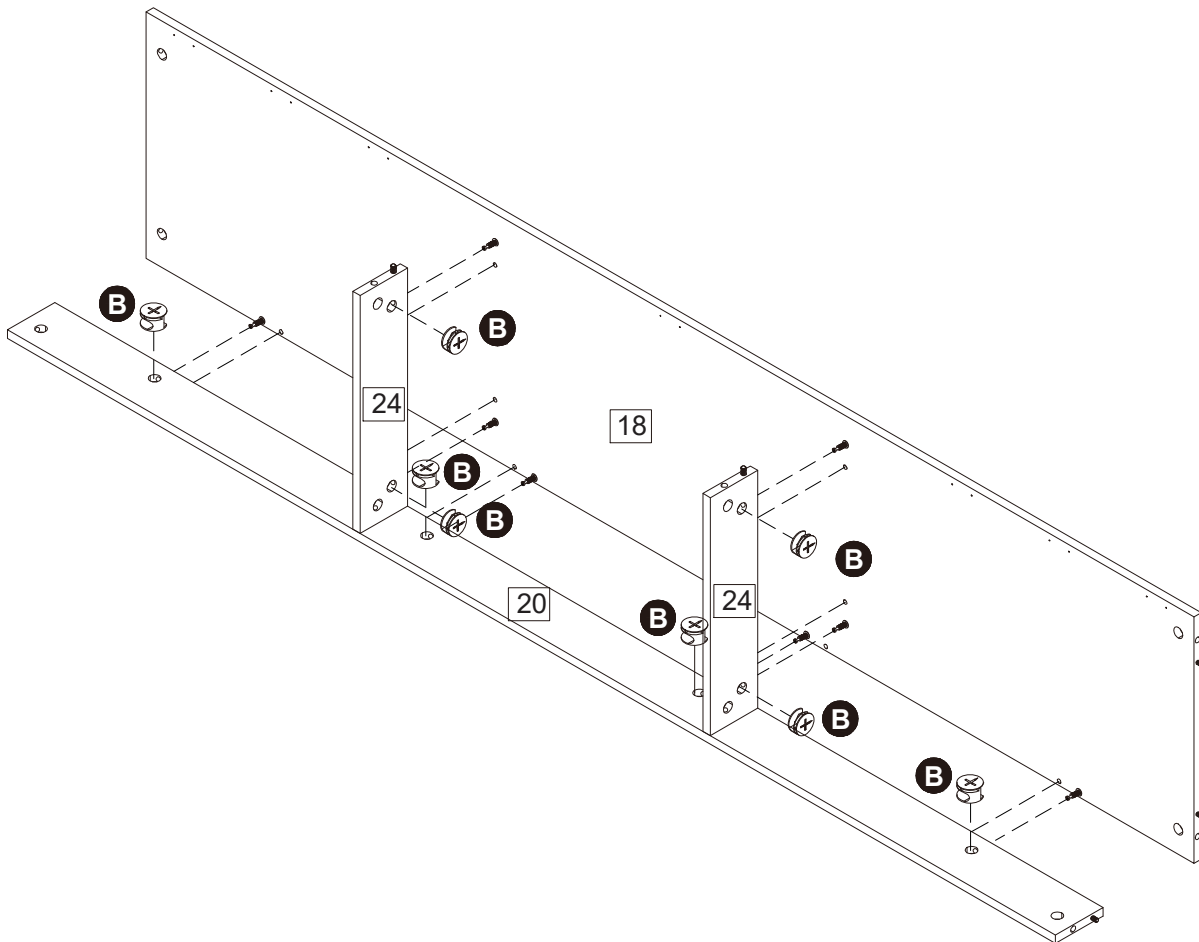
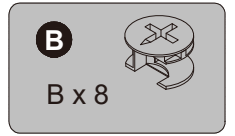
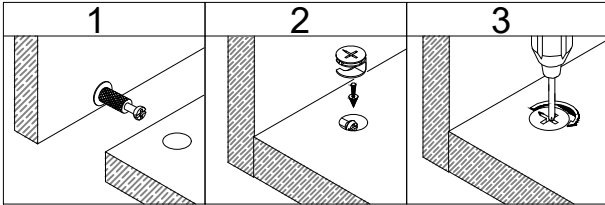


C x 4



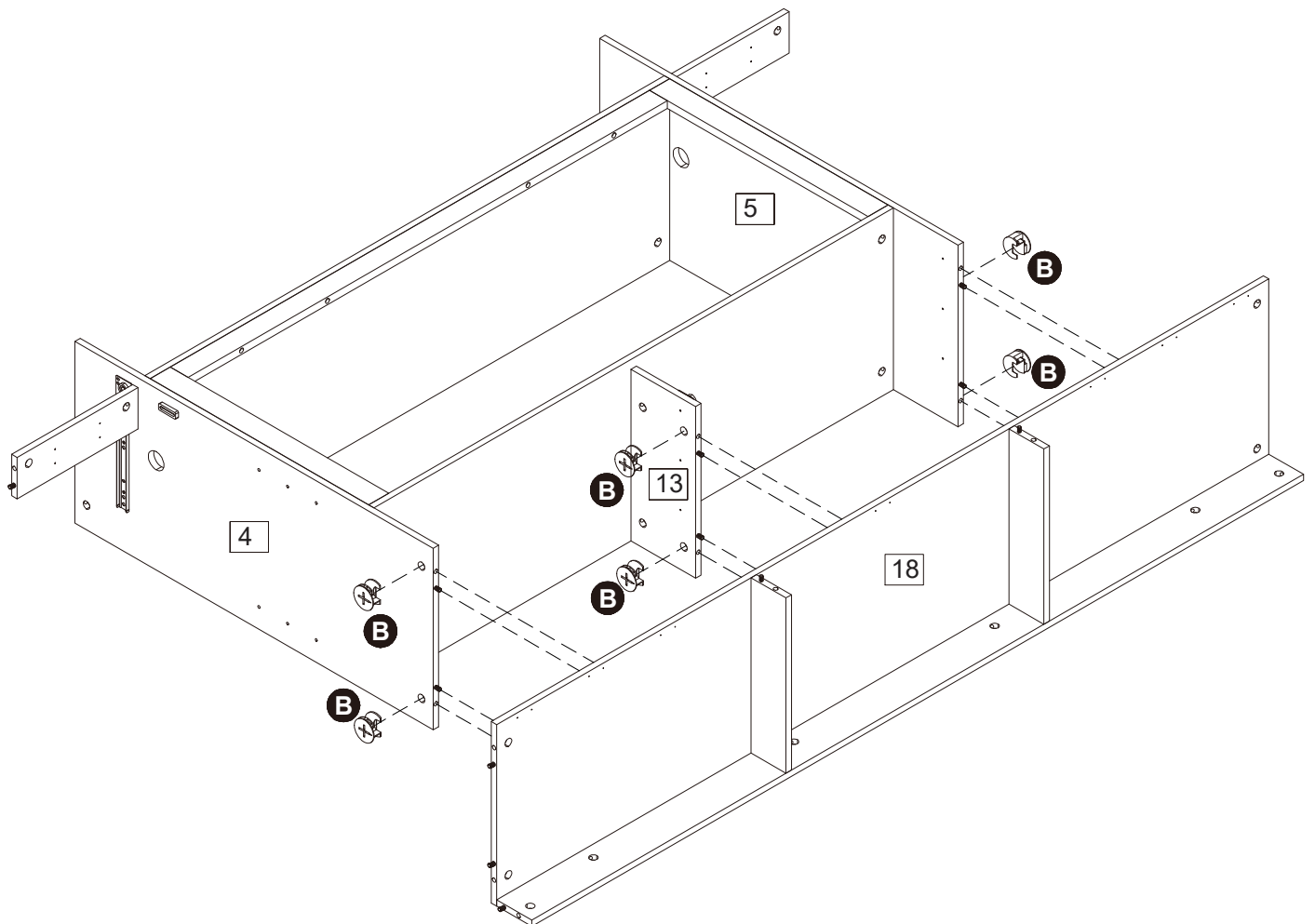
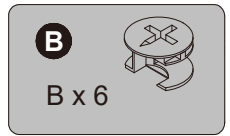
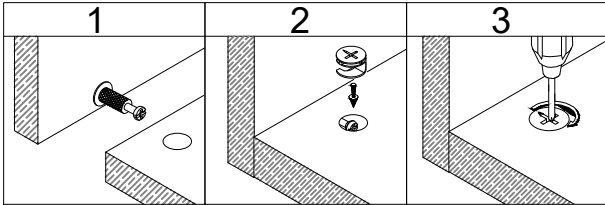
Assembly Instructions

Step 15



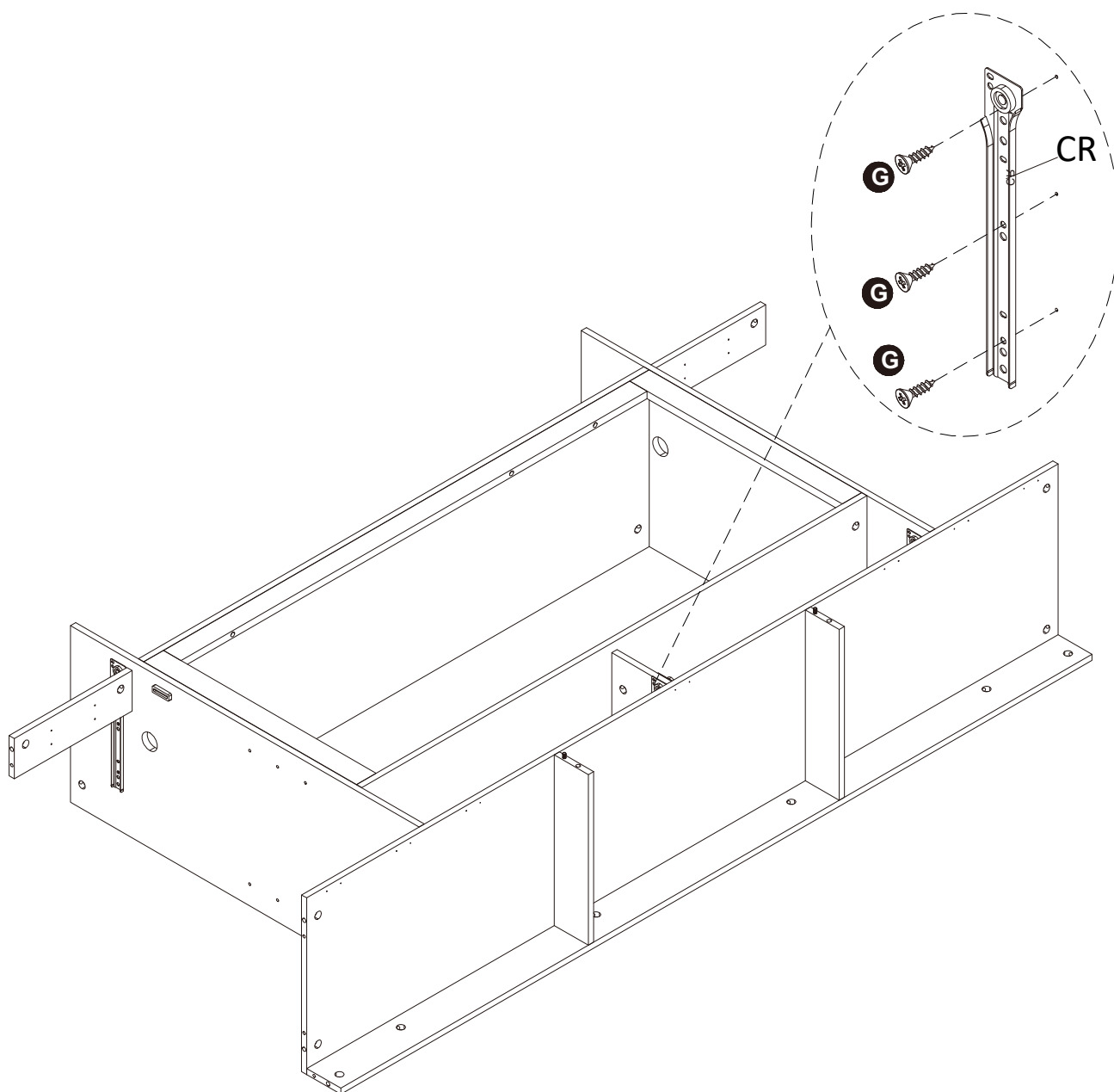
Assembly Instructions

Step 16



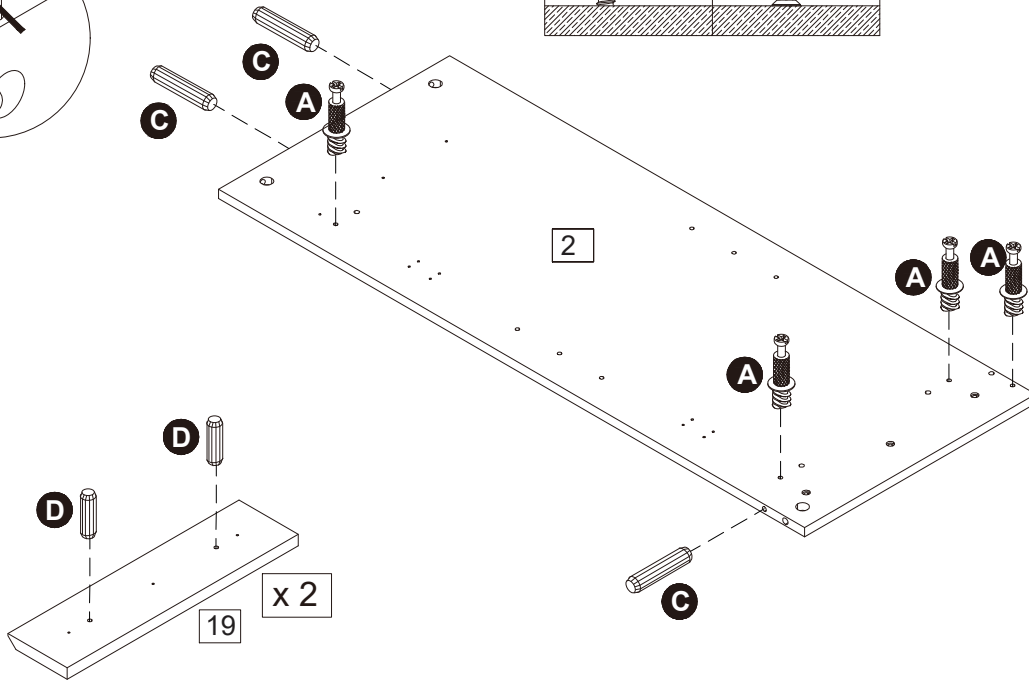
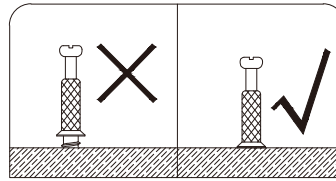
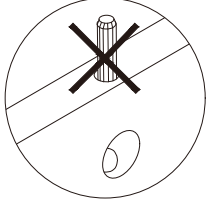
Assembly Instructions

Step 17



Assembly Instructions

Step 18



A x 4

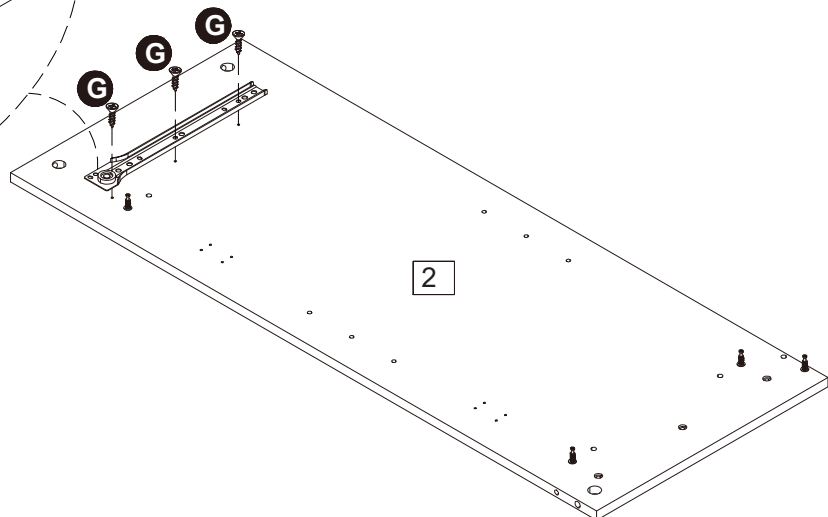
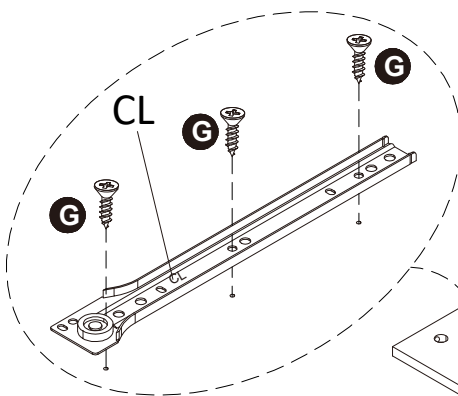


C x 3



D x 4

Step 19



CL x 1

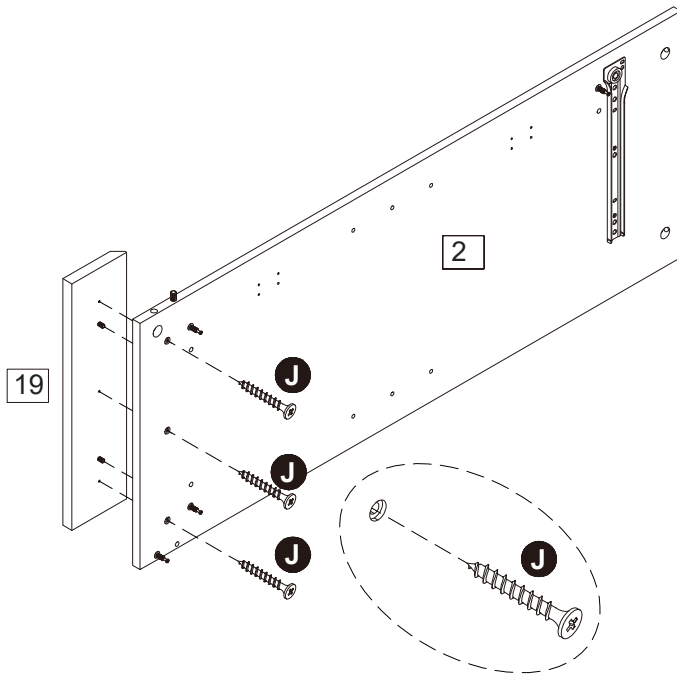


G x 3

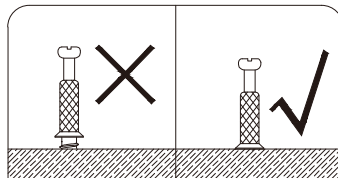
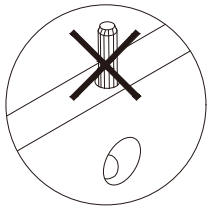
Assembly Instructions

Step 20

J 
J x 3

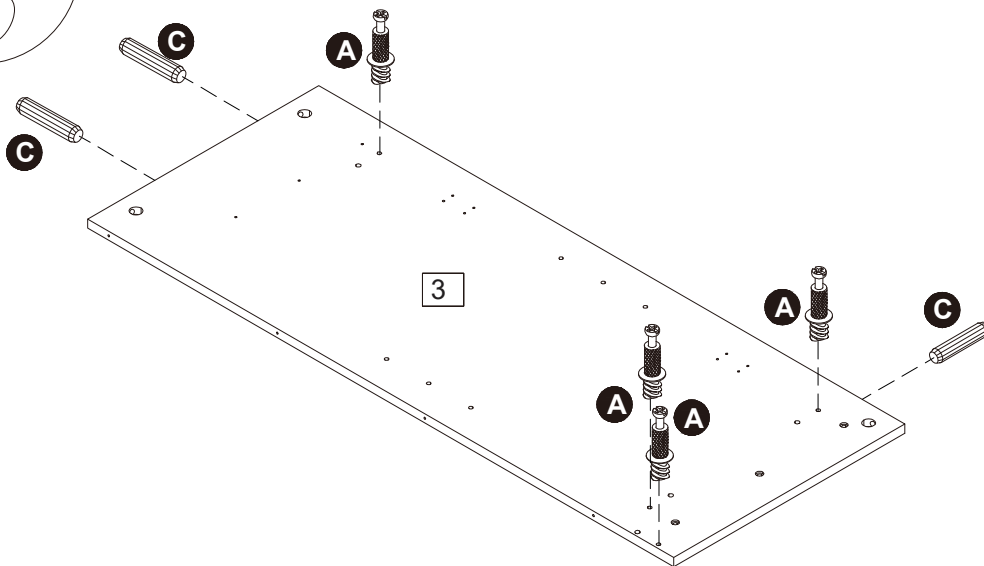


Step 21



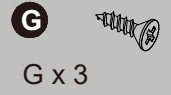
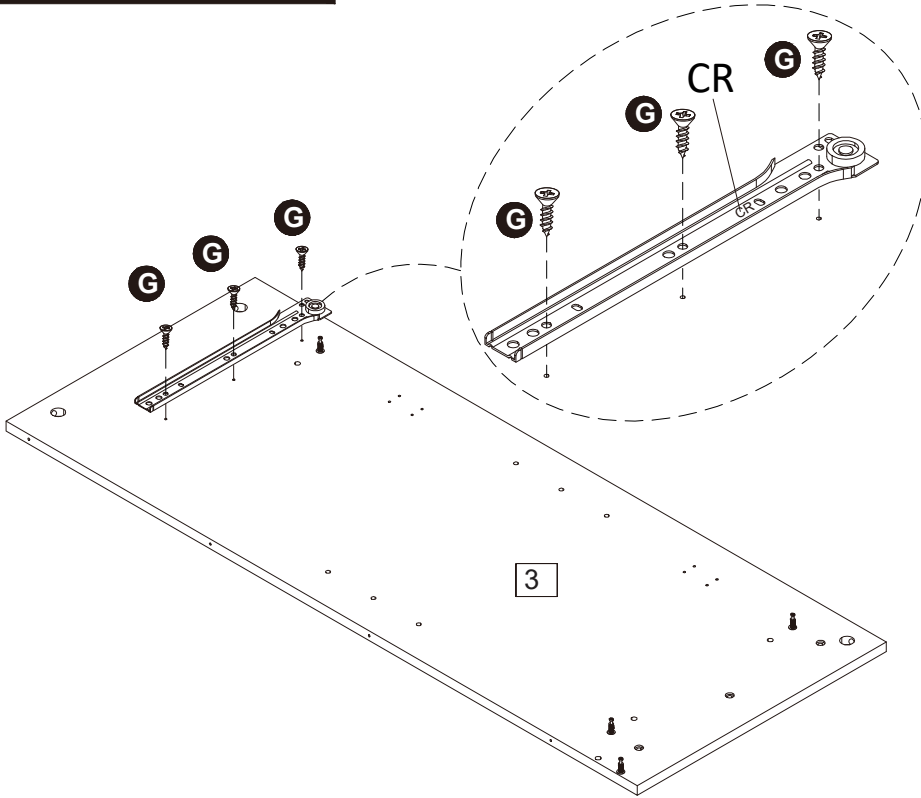
A 
A x 4

C 
C x 3

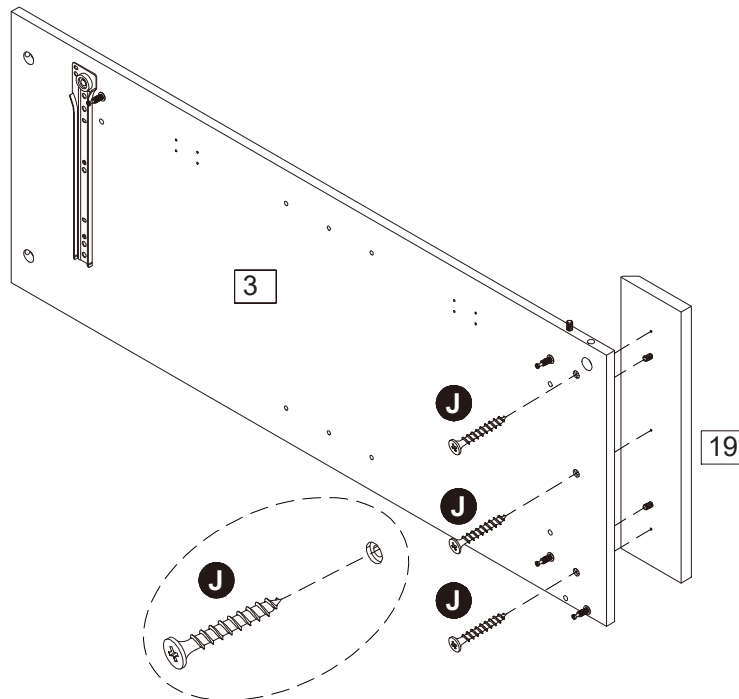


Assembly Instructions

Step 22

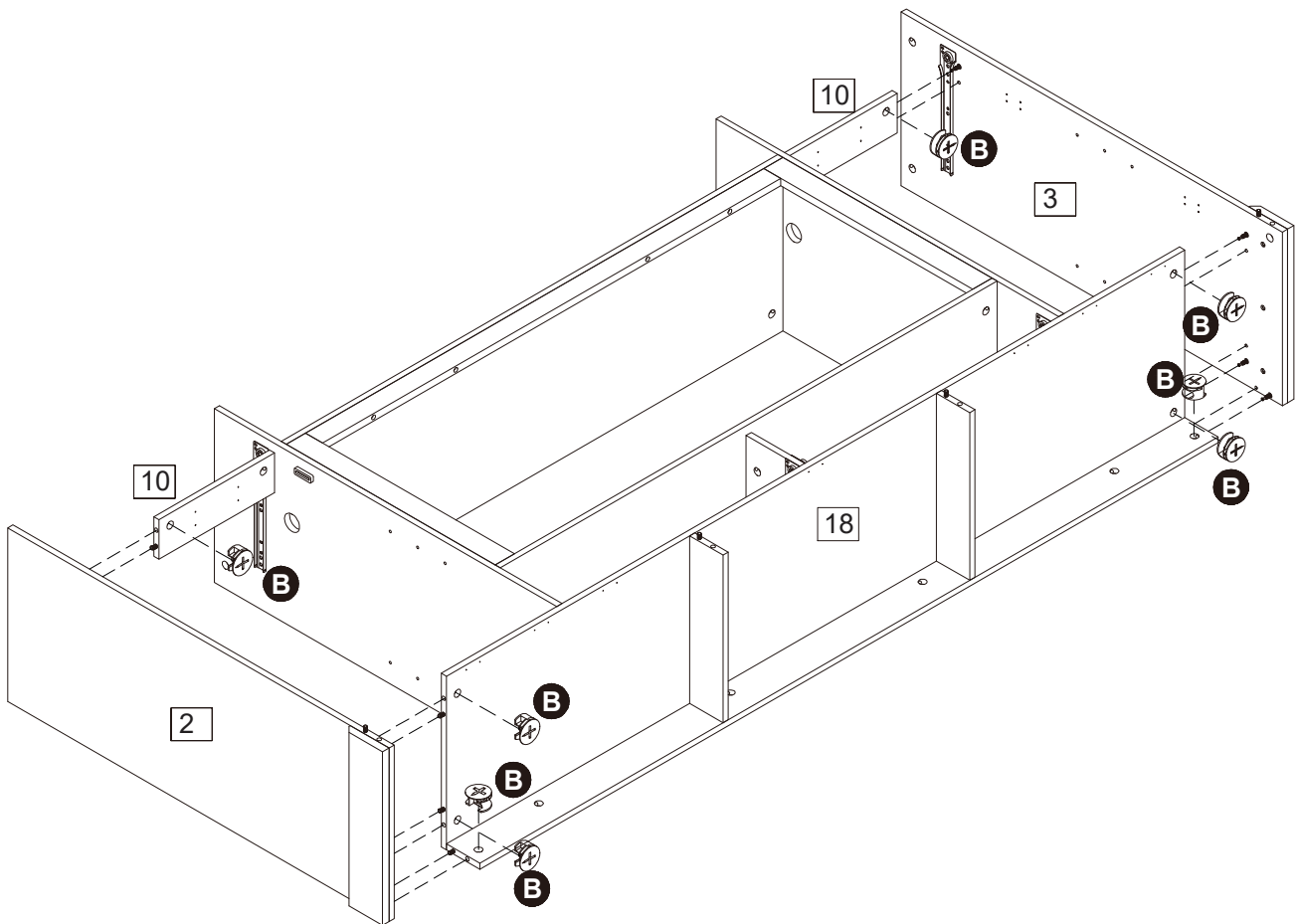
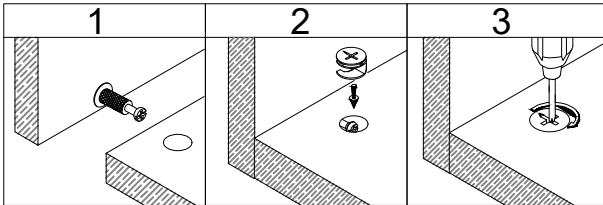


Step 23



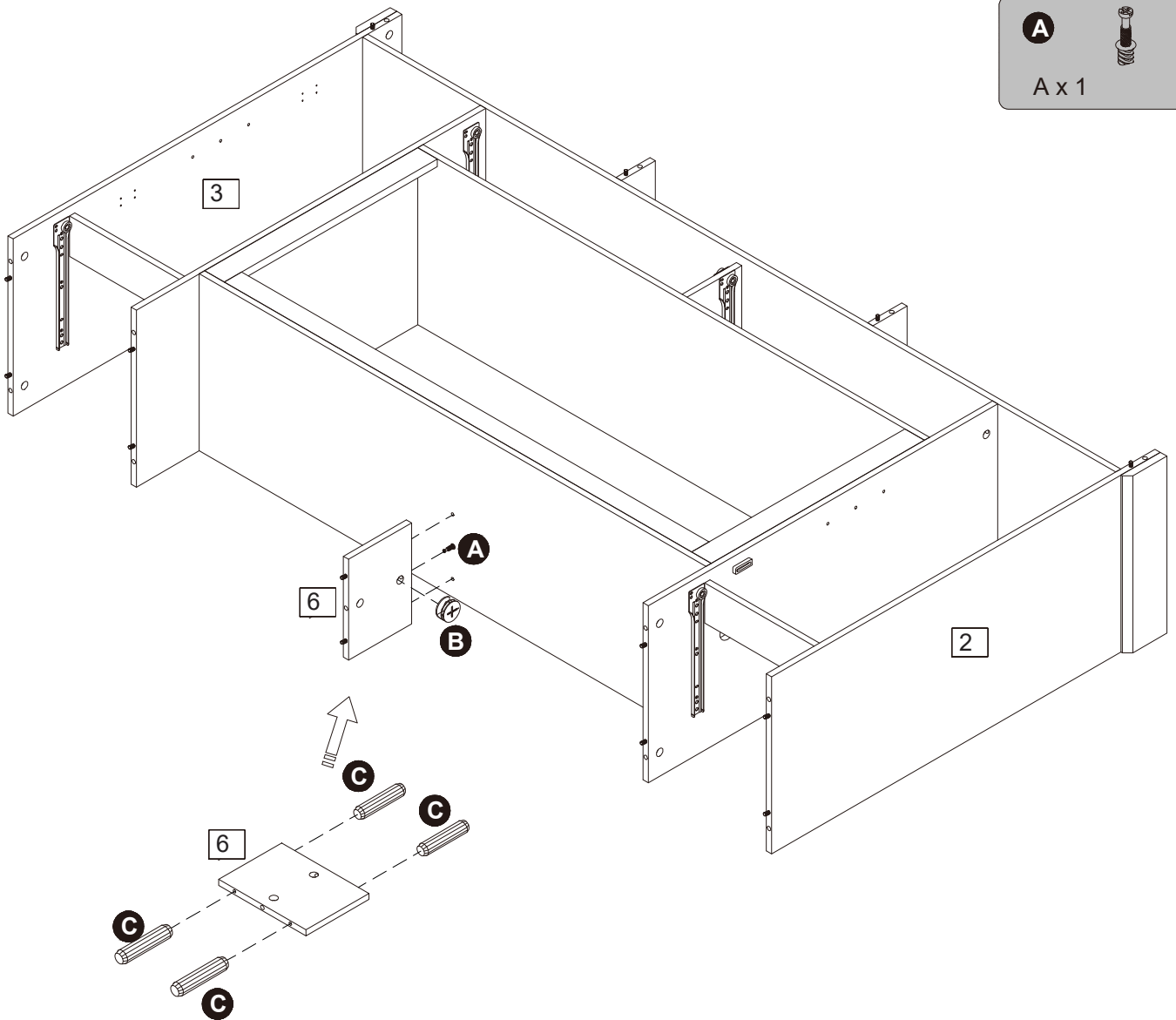
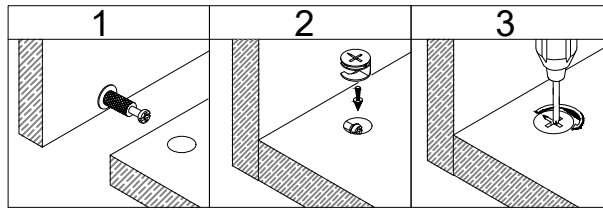
Assembly Instructions

Step 24



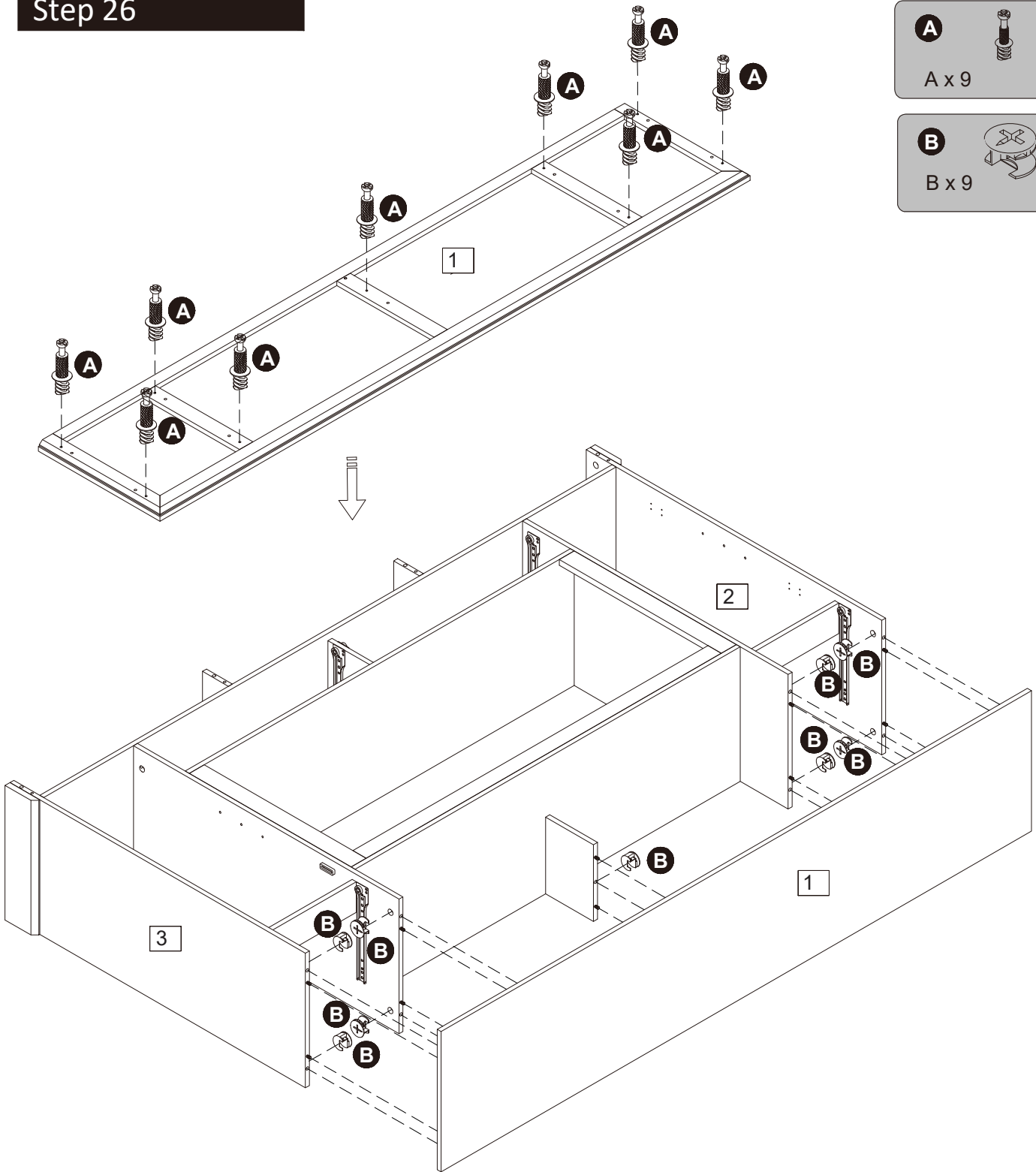
Assembly Instructions

Step 25



Assembly Instructions

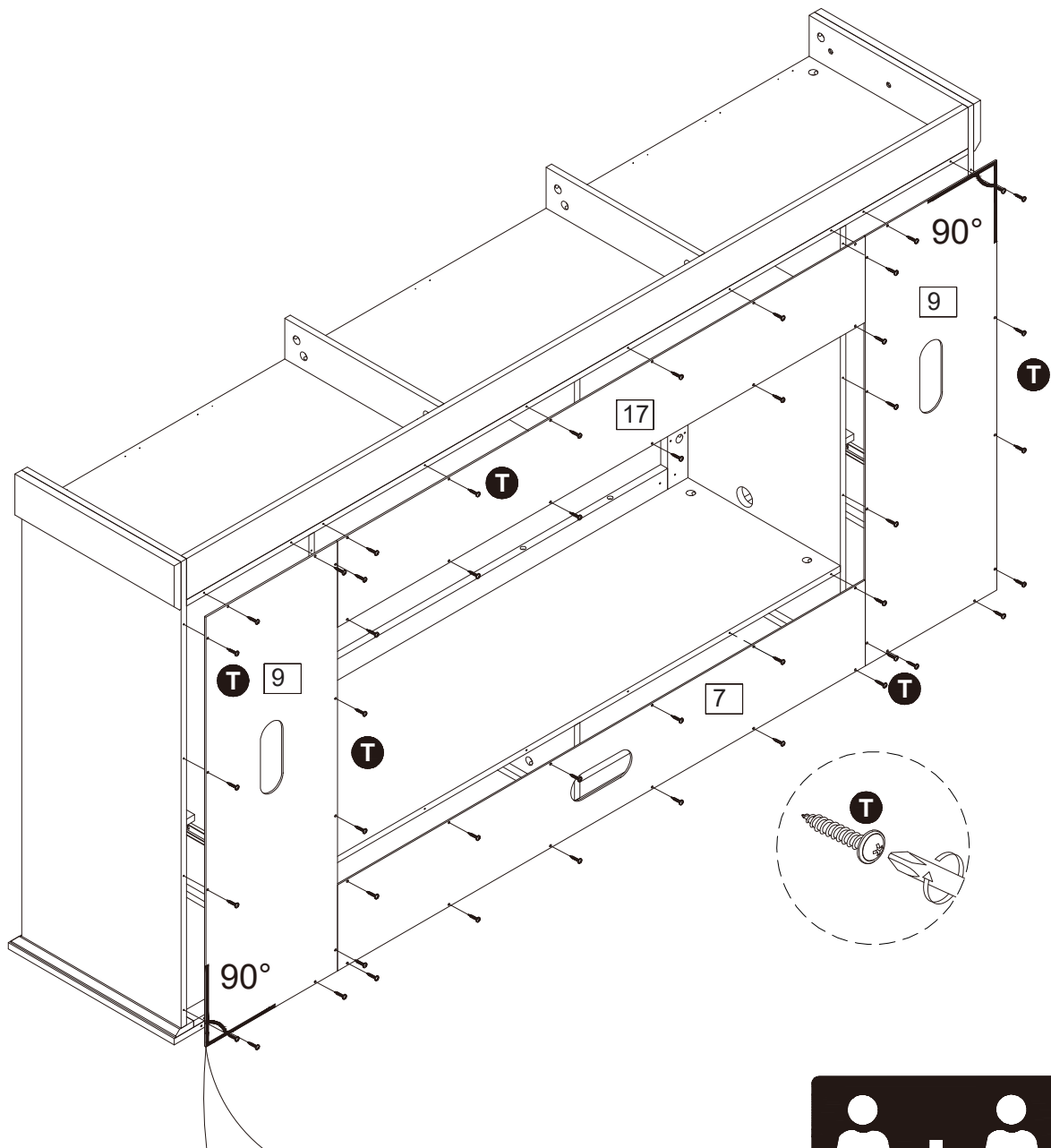
Step 26



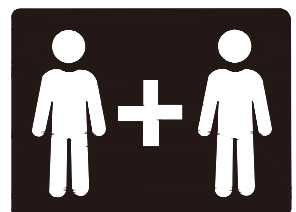
Assembly Instructions

Step 27

T
T x 48



CAUTION: Before attaching the back panel make ,be sure that the unit is at 90°.



Assembly Instructions

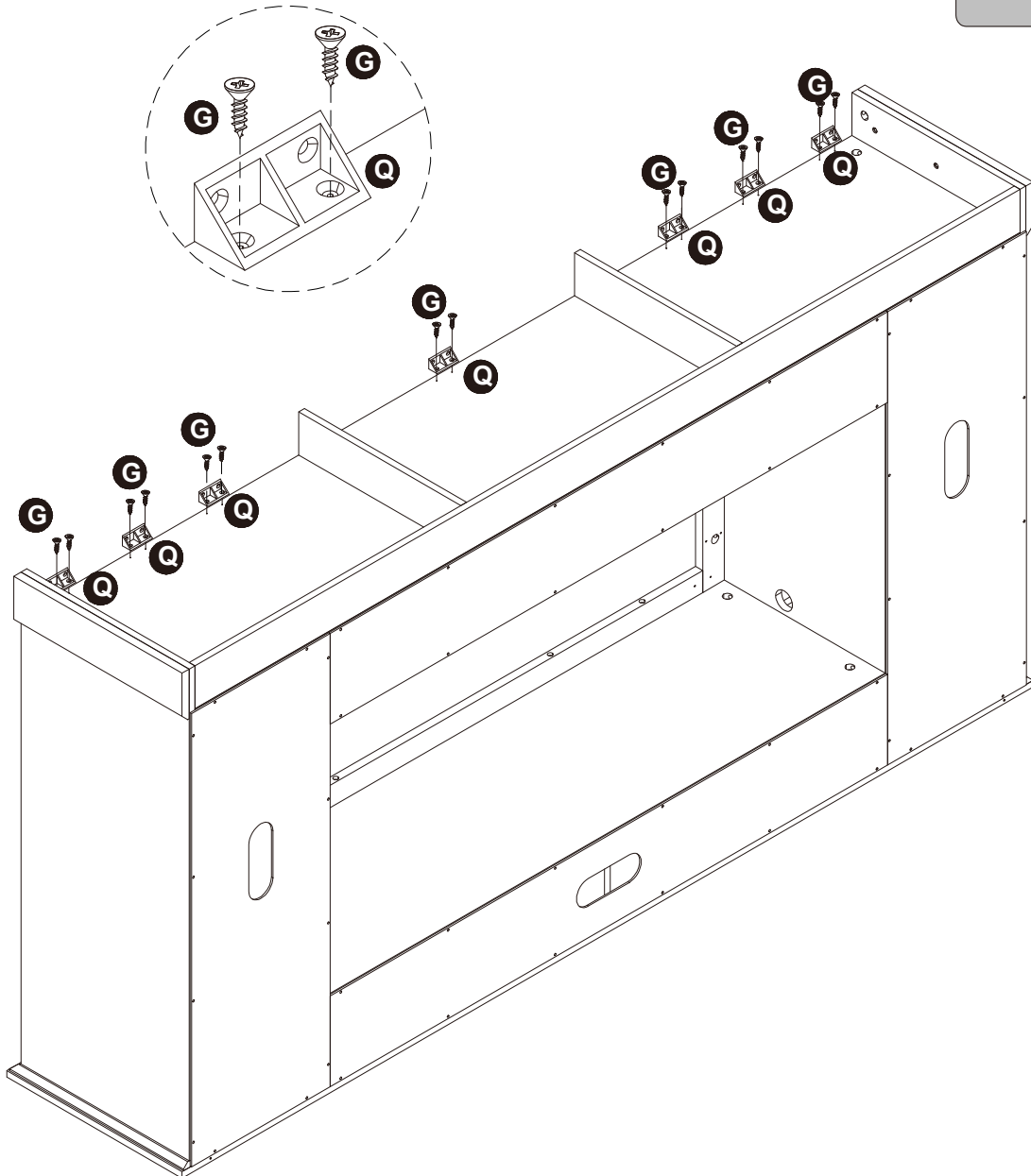
Step 28



G x 14

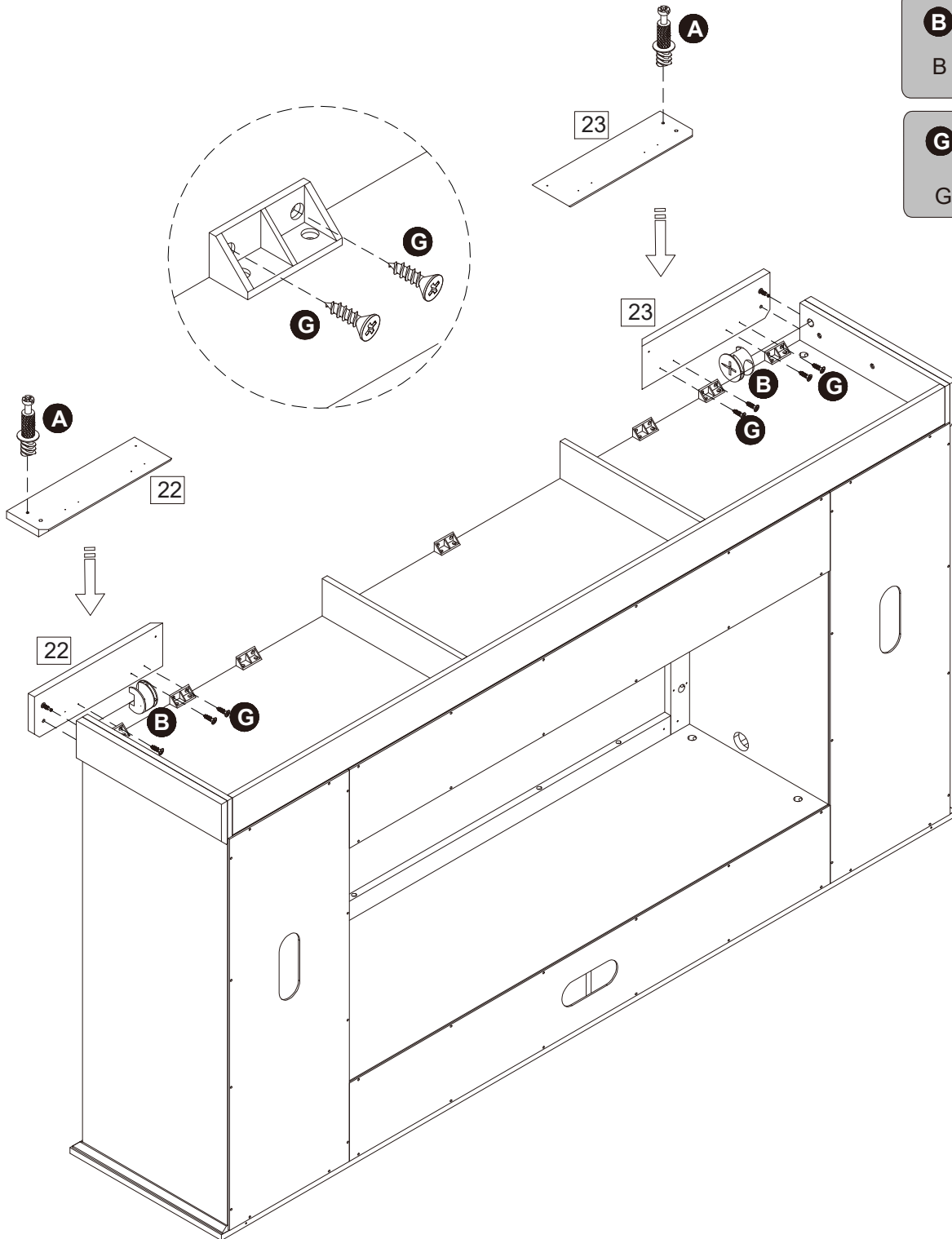


Q x 7



Assembly Instructions

Step 29



A x 2



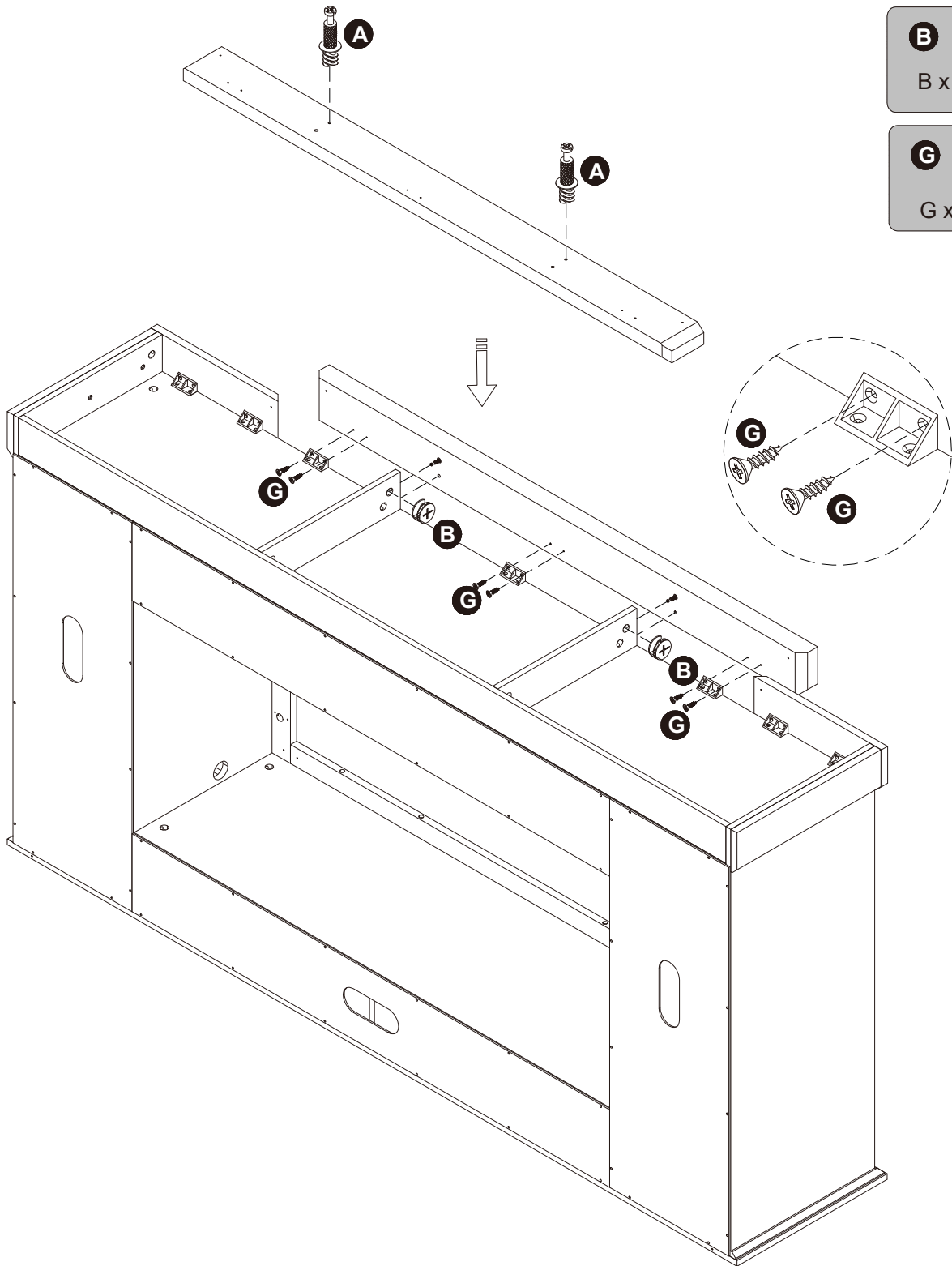
B x 2



G x 8

Assembly Instructions

Step 30



A



A x 2

B



B x 2

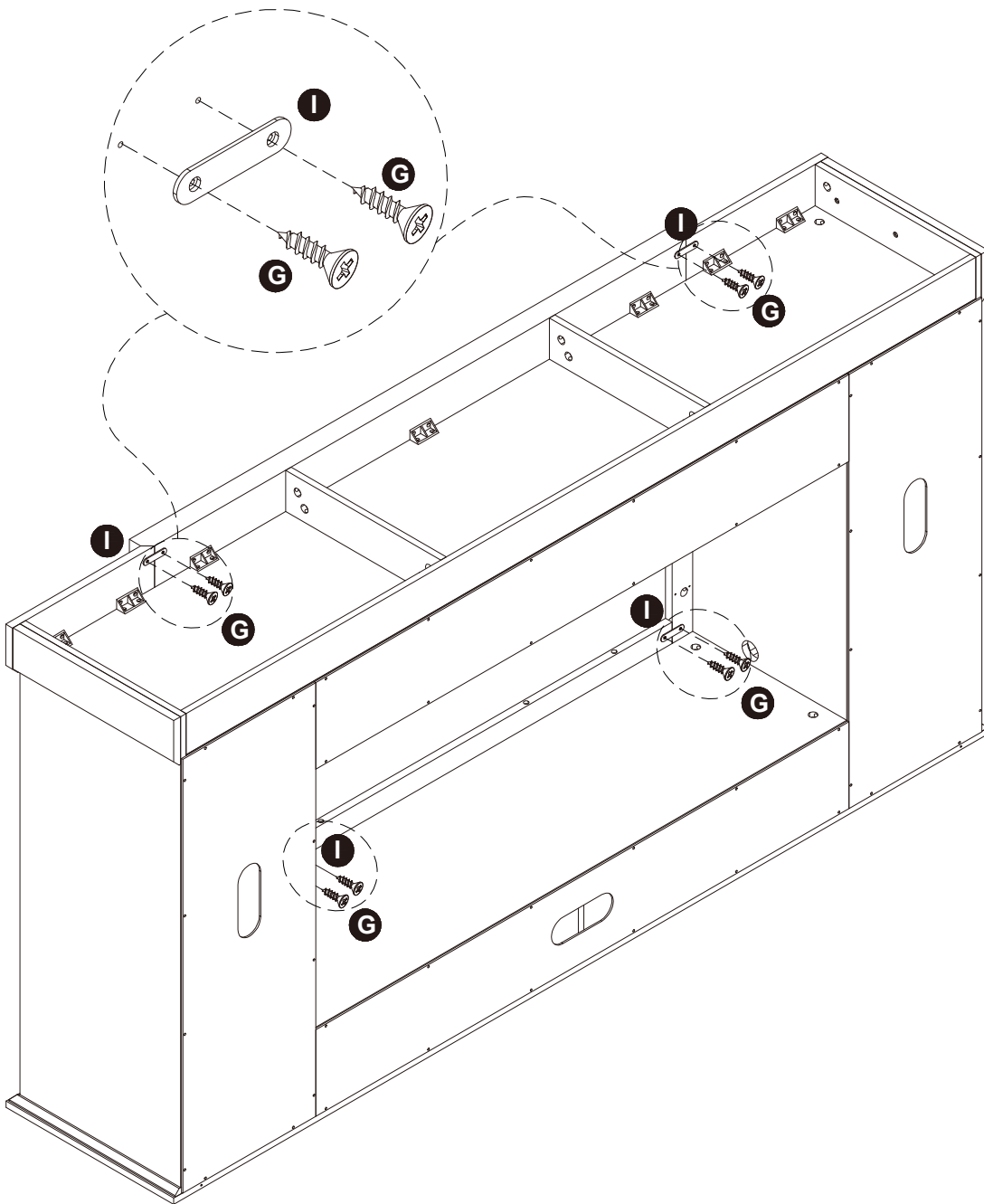
G



G x 6

Assembly Instructions

Step 31



Assembly Instructions

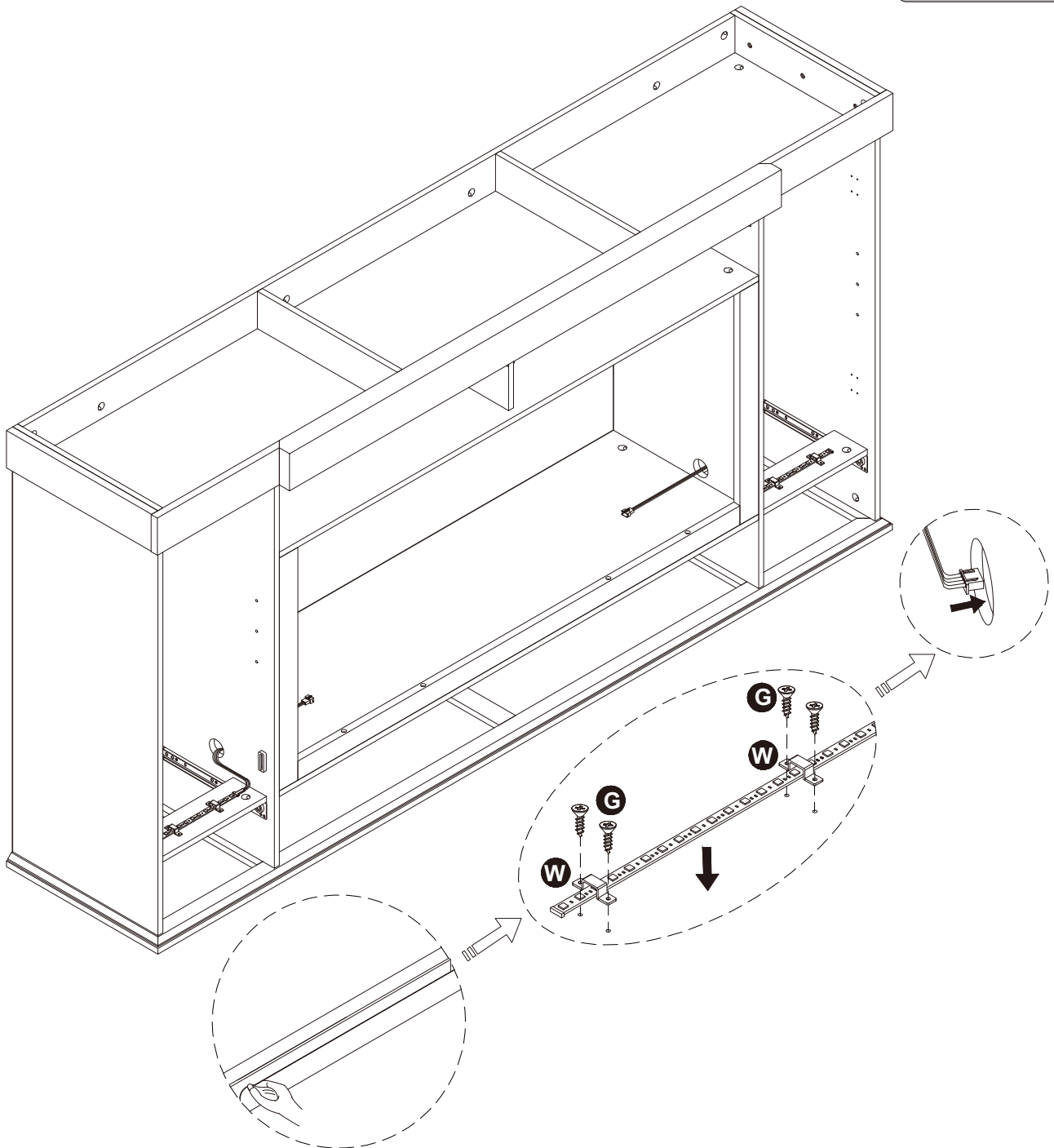
Step 32



W x 4

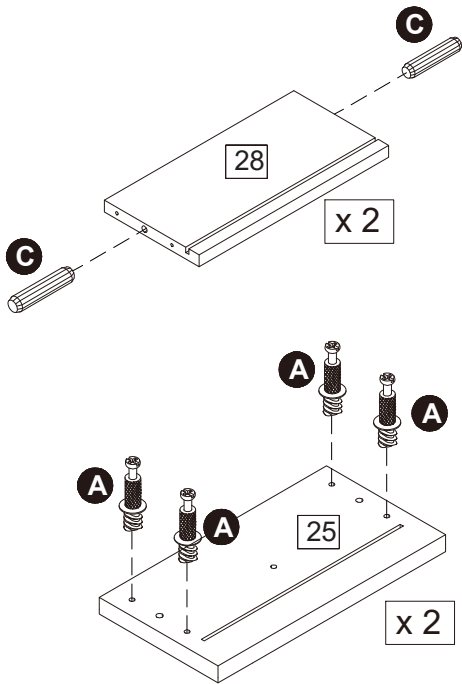


G x 8



Assembly Instructions

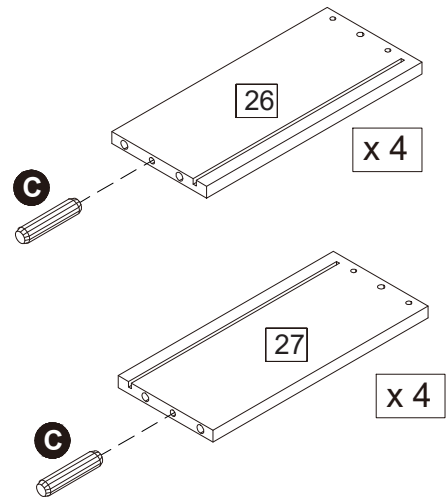
Step 33



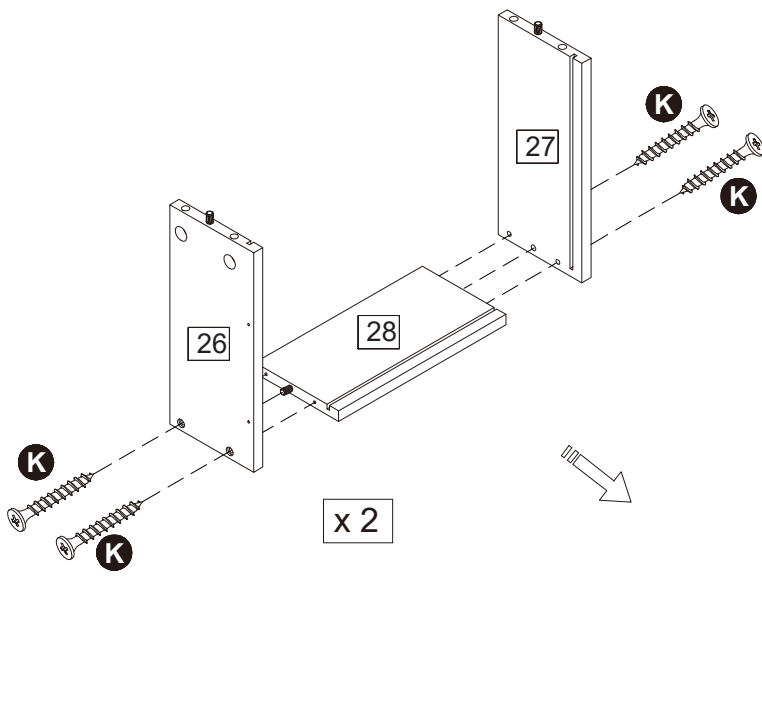
A x 8



C x 12

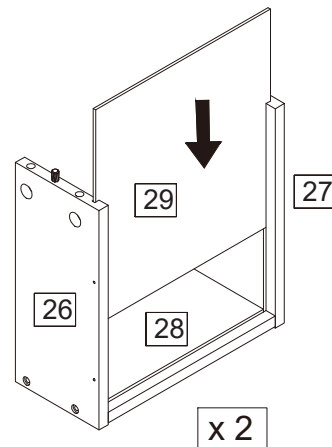


Step 34



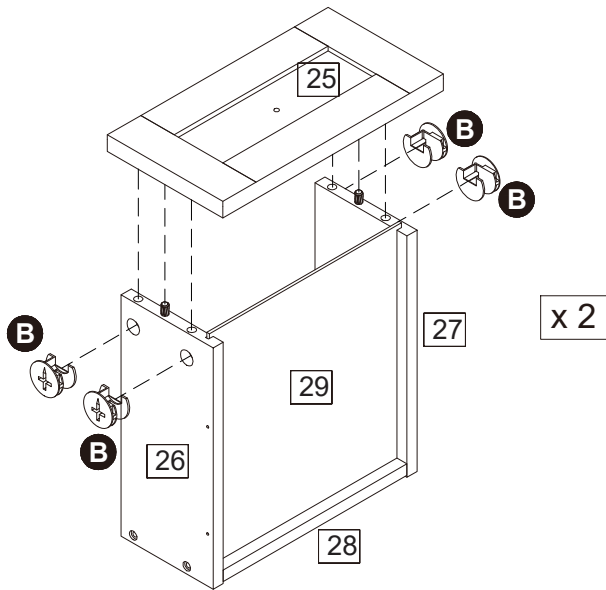
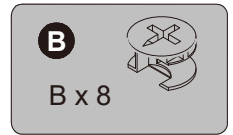
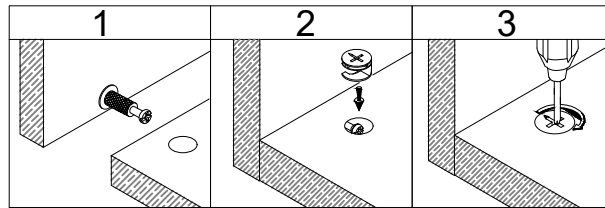
K

K x 8

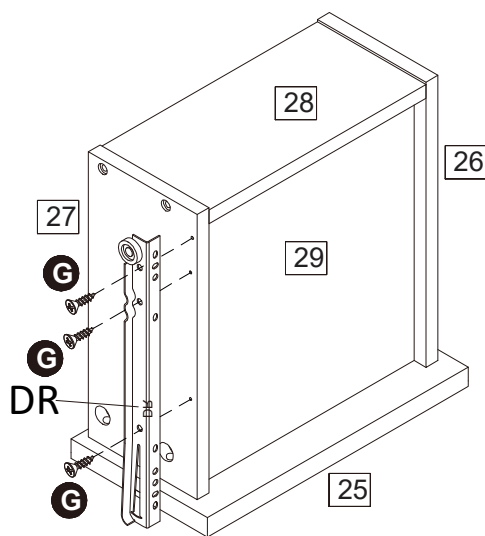


Assembly Instructions

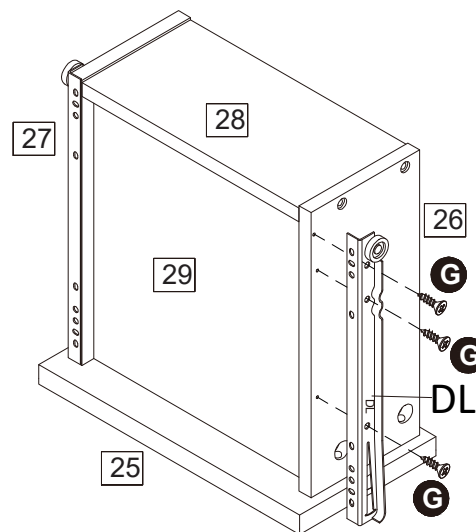
Step 35



Step 36



x 2

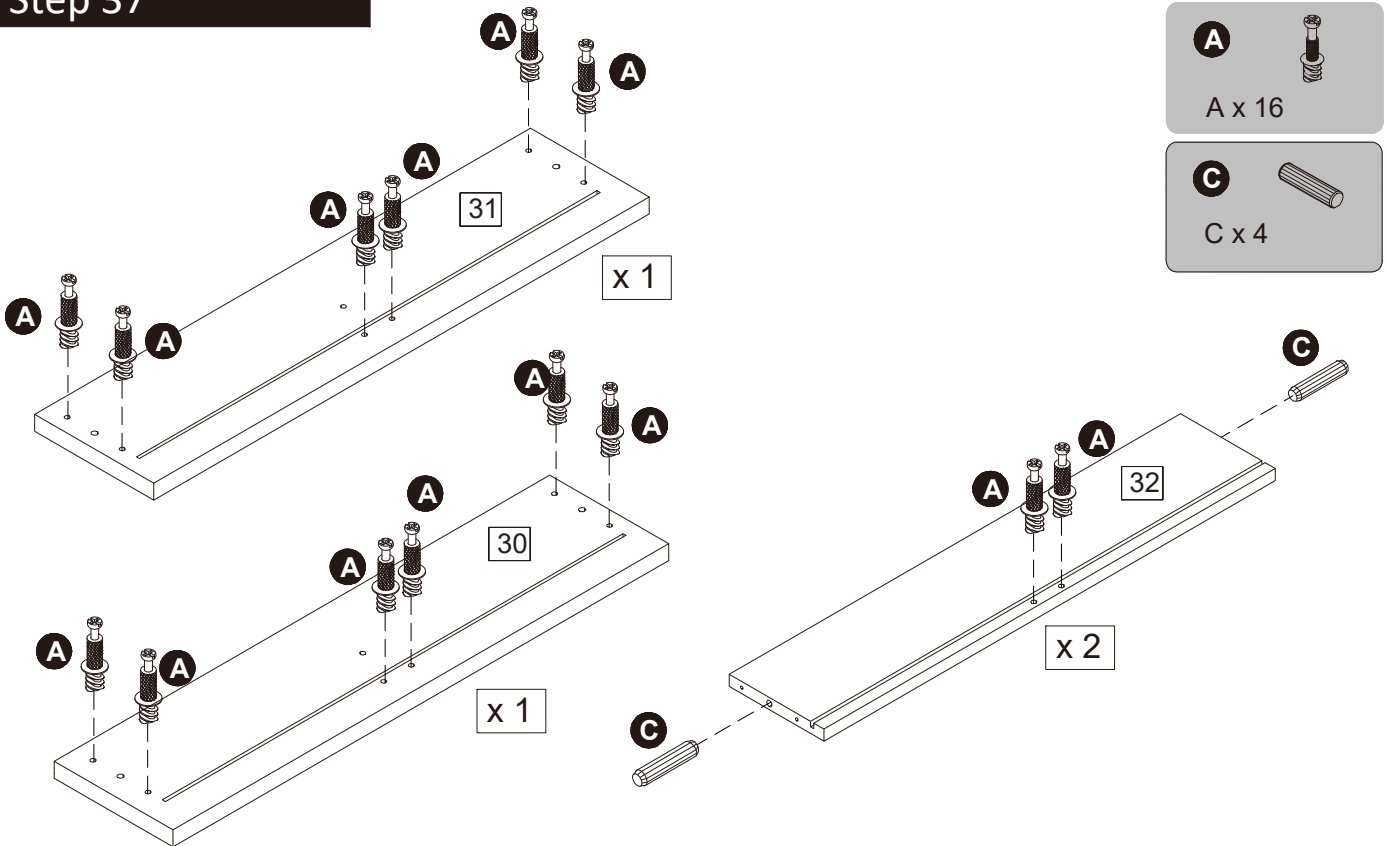


x 2

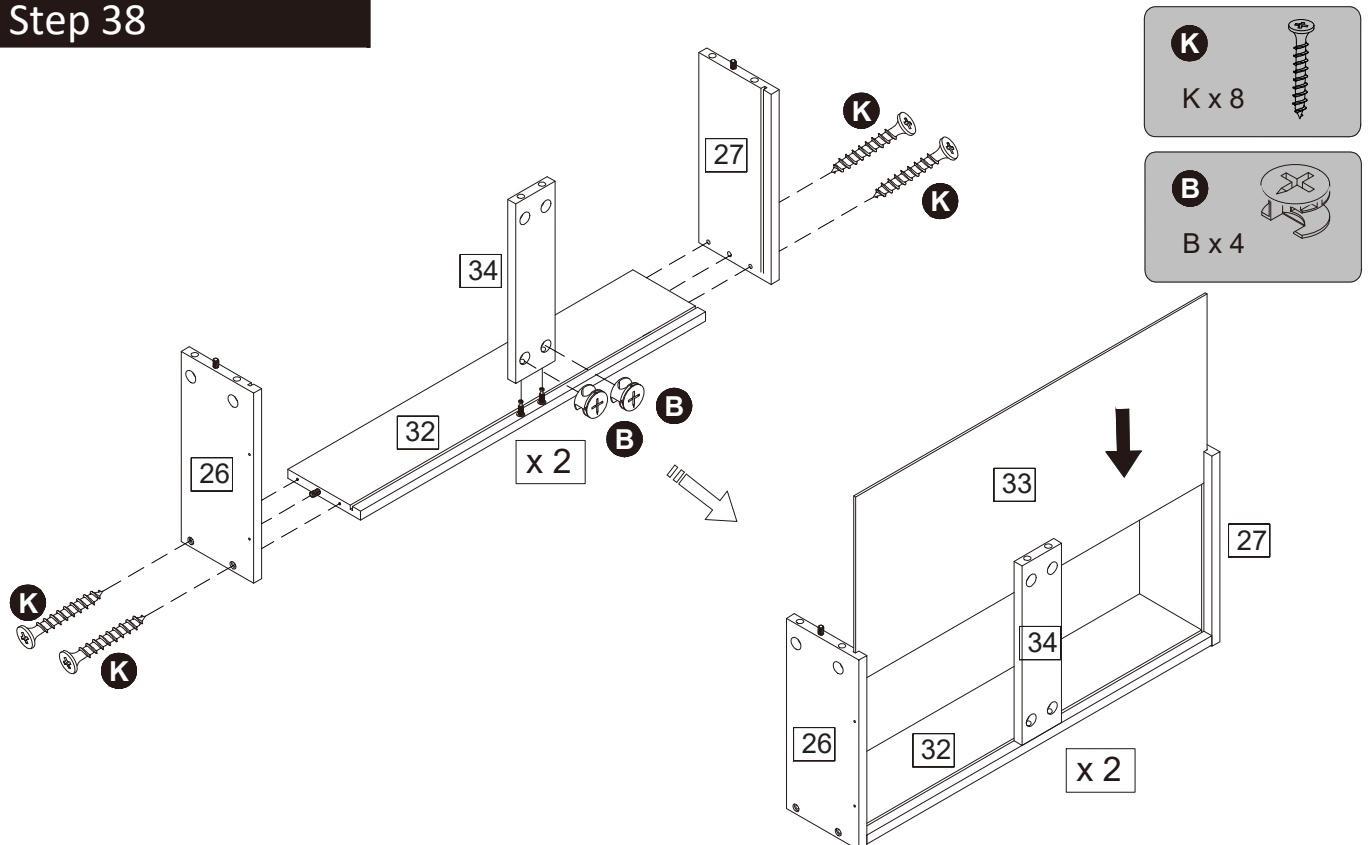


Assembly Instructions

Step 37

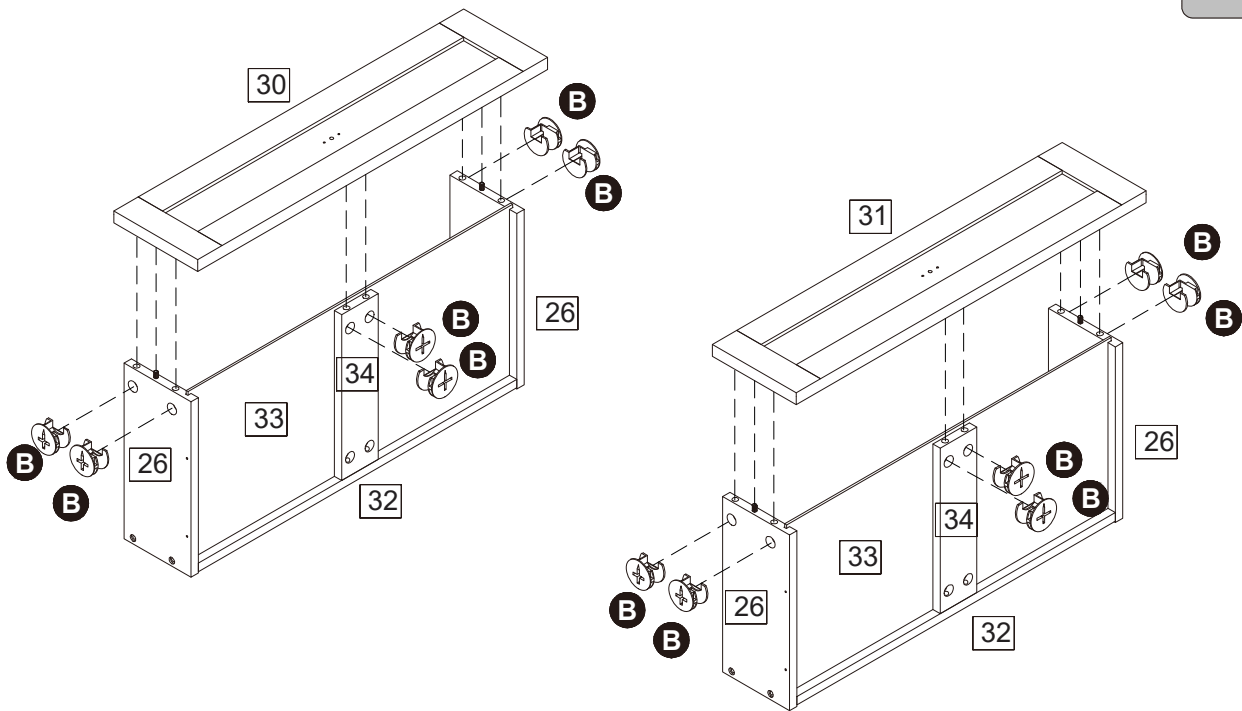


Step 38

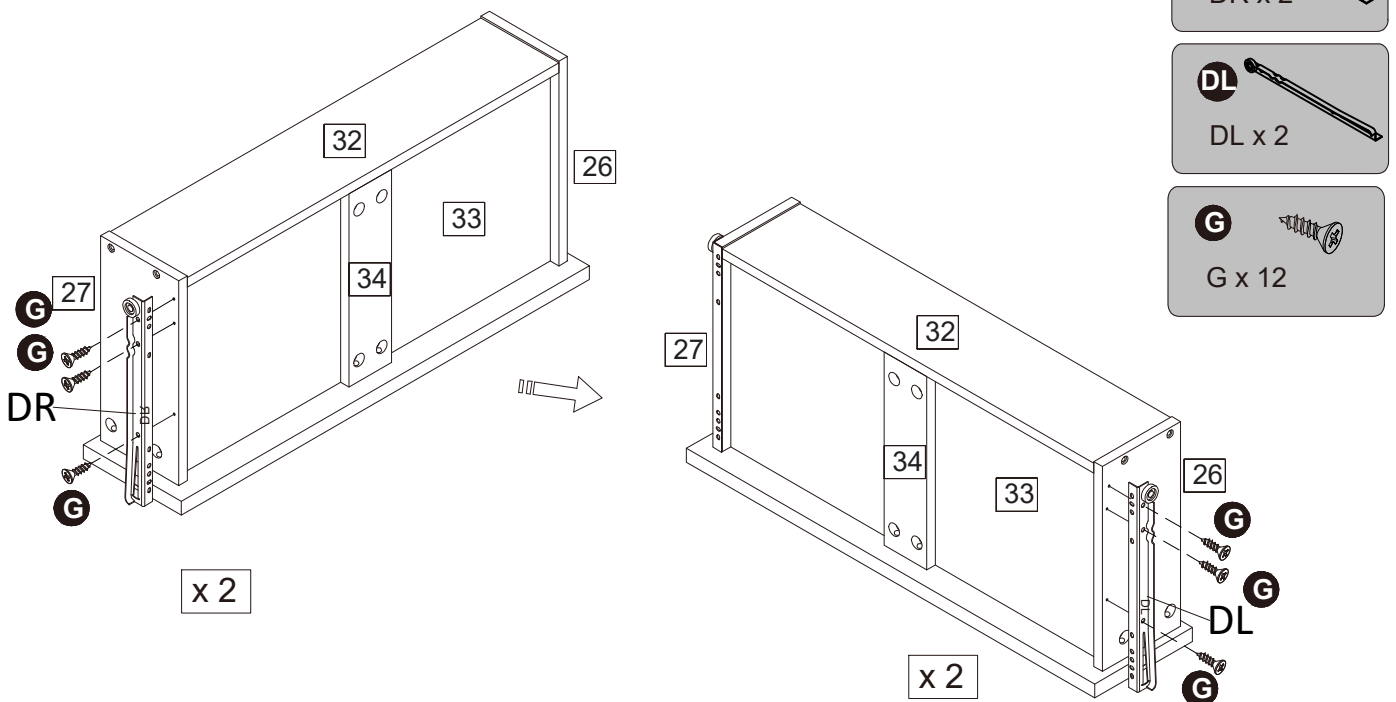


Assembly Instructions

Step 39



Step 40



Assembly Instructions

Step 41

O

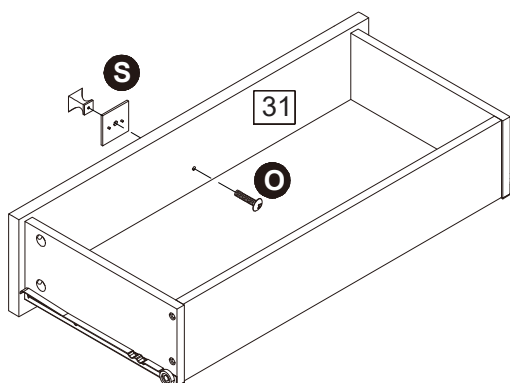
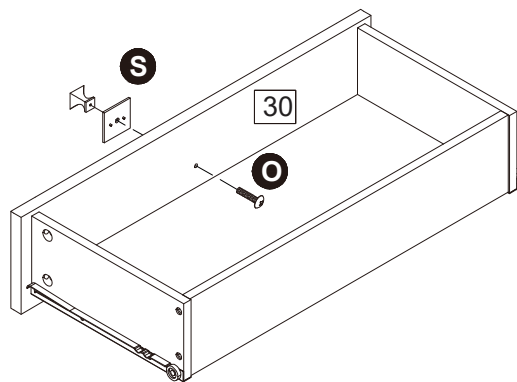
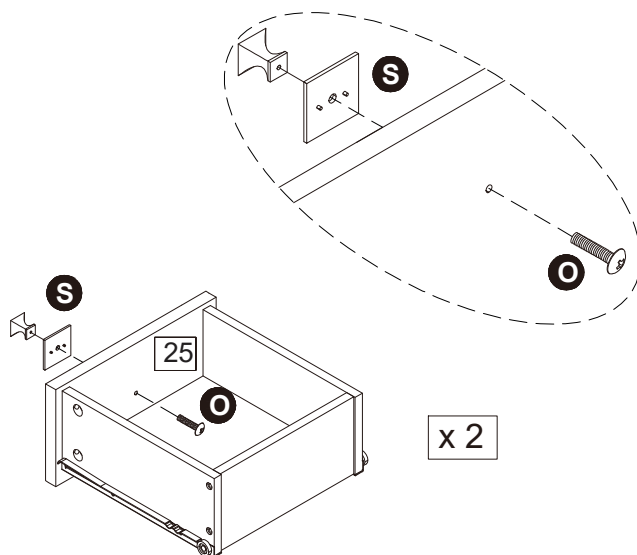


O x 4

S

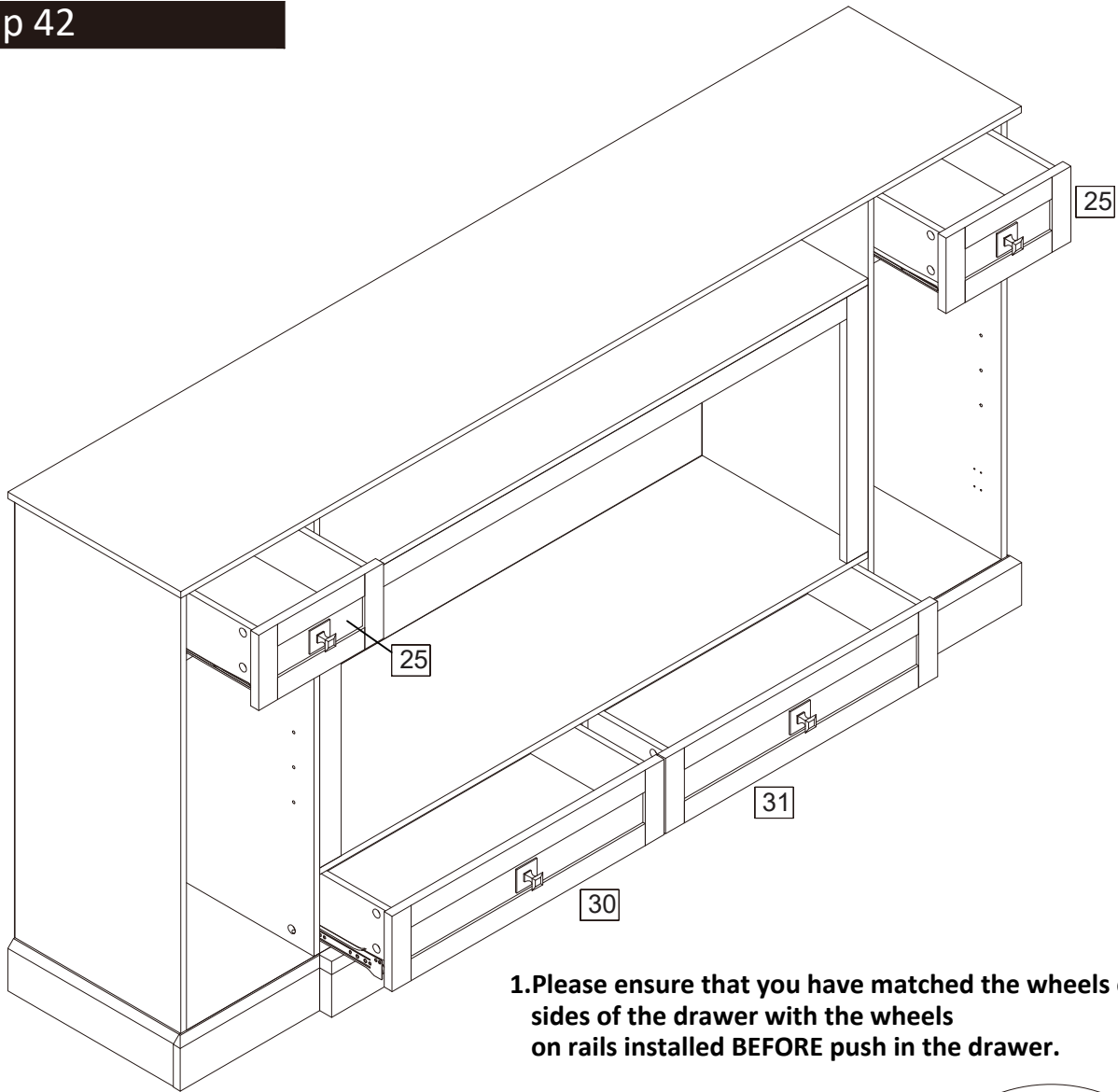


S x 4

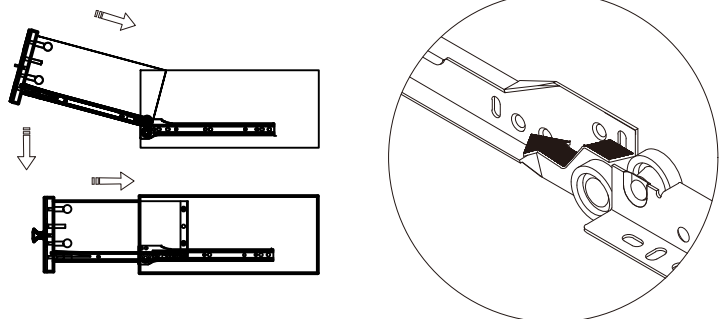


Assembly Instructions

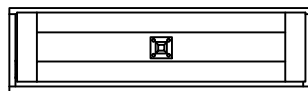
Step 42



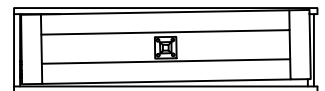
1. Please ensure that you have matched the wheels on BOTH sides of the drawer with the wheels on rails installed BEFORE push in the drawer.



2. If the following occurs, redo the first two steps.



(both wheels are off the rails)



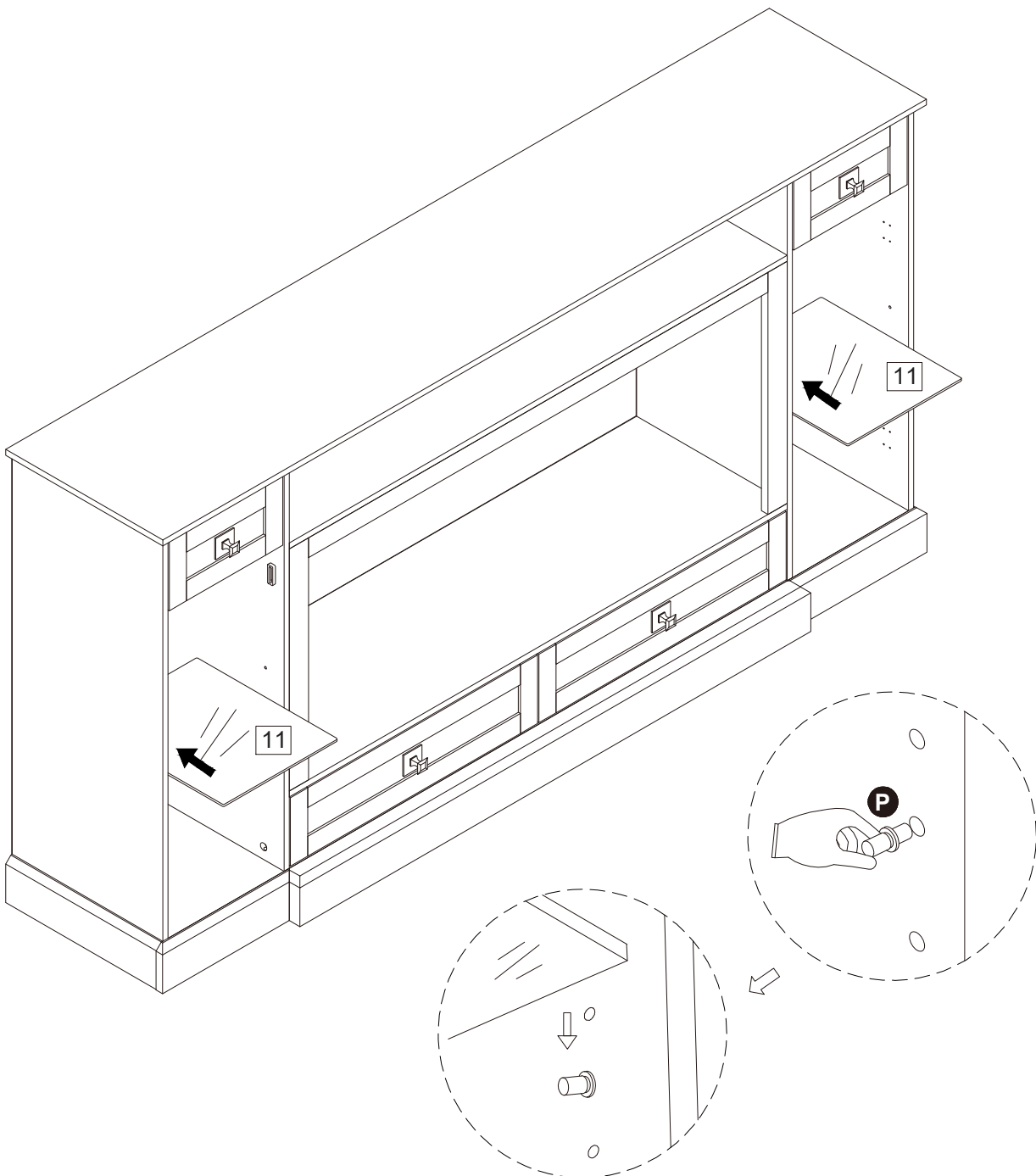
(one wheel is off the rail)

Assembly Instructions

Step 43

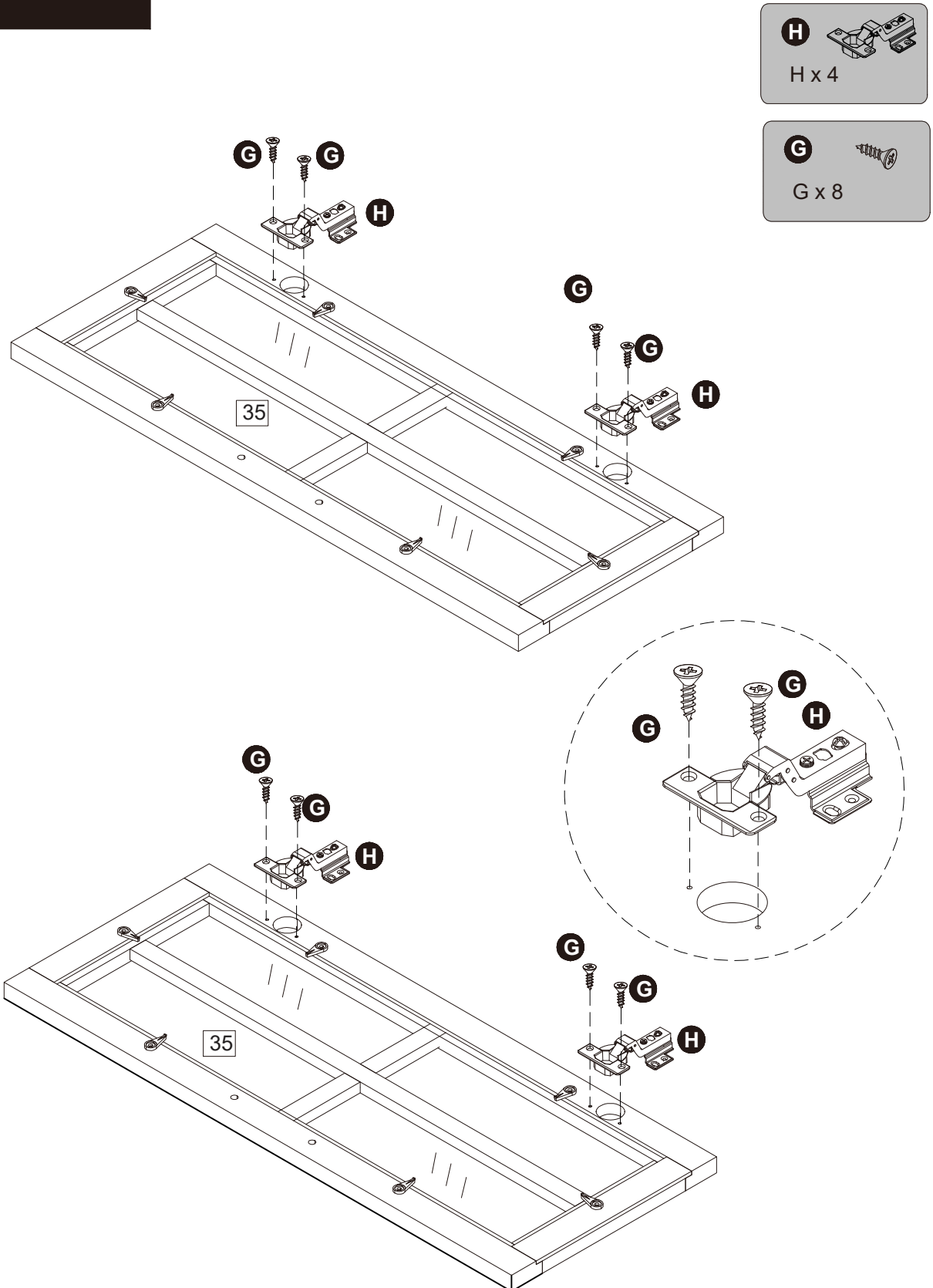
P

P x 8



Assembly Instructions

Step 44



Assembly Instructions

Step 45



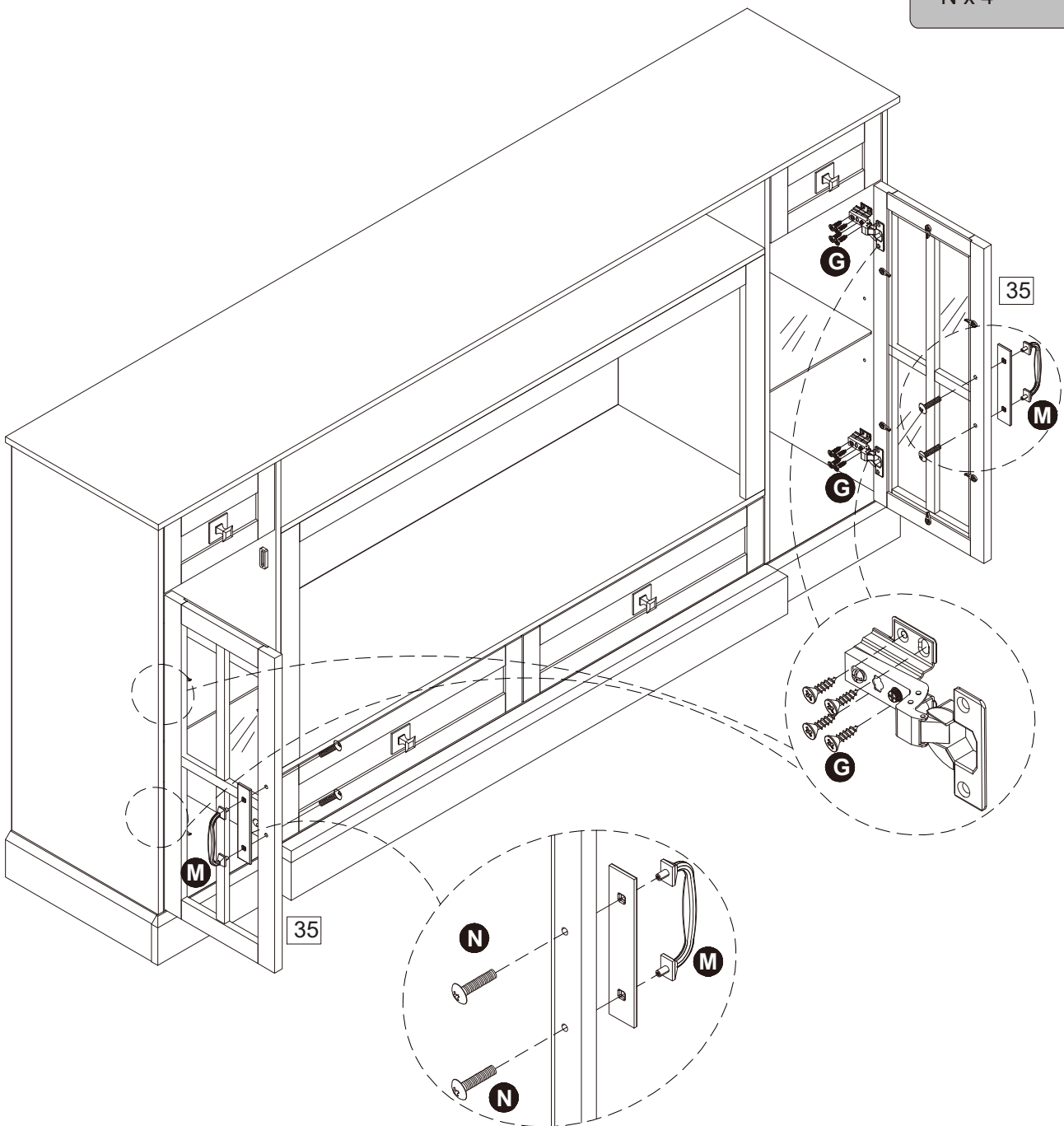
G x 16



M x 2

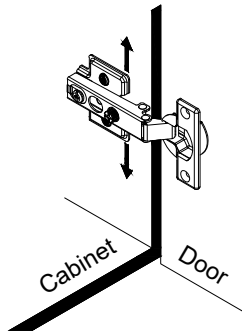
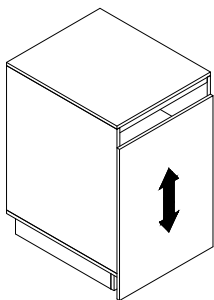
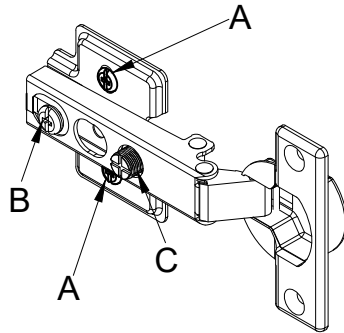


N x 4



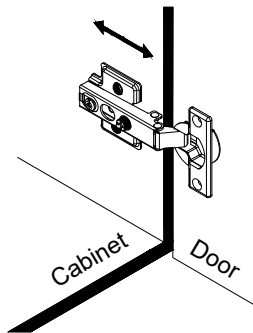
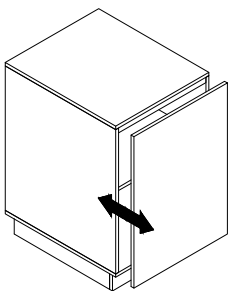
Assembly Instructions

Step 46



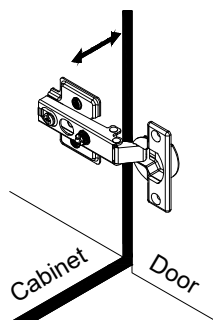
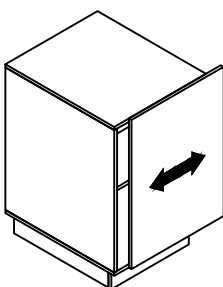
To adjust the vertical height.

Loosen the four screws "A" on both hinges. Two of them are usually in slotted holes which allows you to adjust up or down by a few mm. Then tighten back up.



To adjust depth.

Loosen screw "B" and adjust door, if the door can not be adjusted, please loosen screw "C", then try again. Tighten screw "B" and "C".

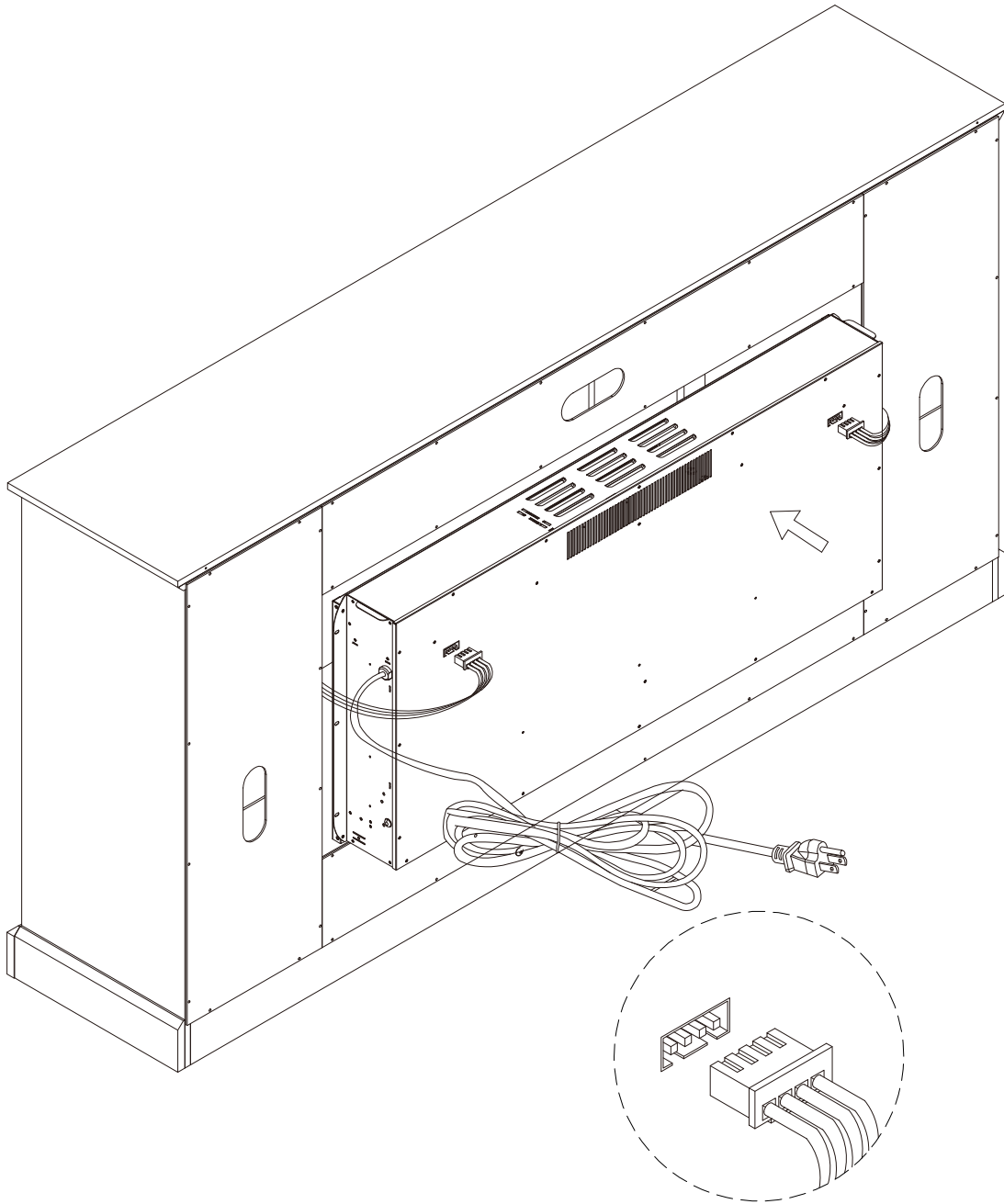


To adjust side ways.

Turning the screw "C" on BOTH hinges on each door.

Assembly Instructions

Step 47



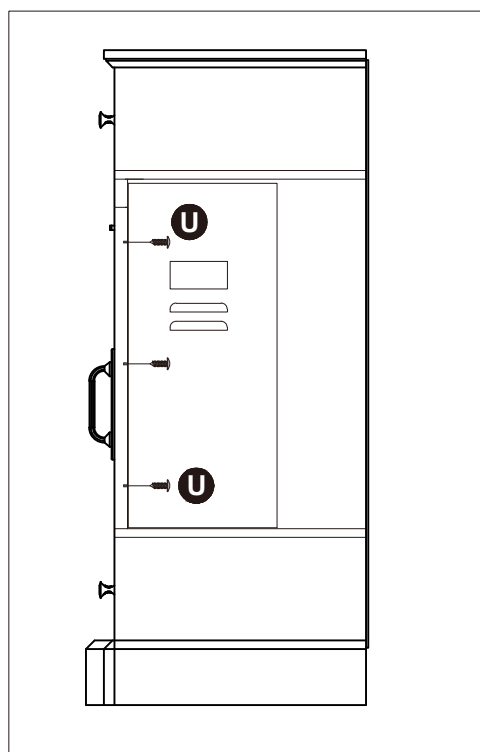
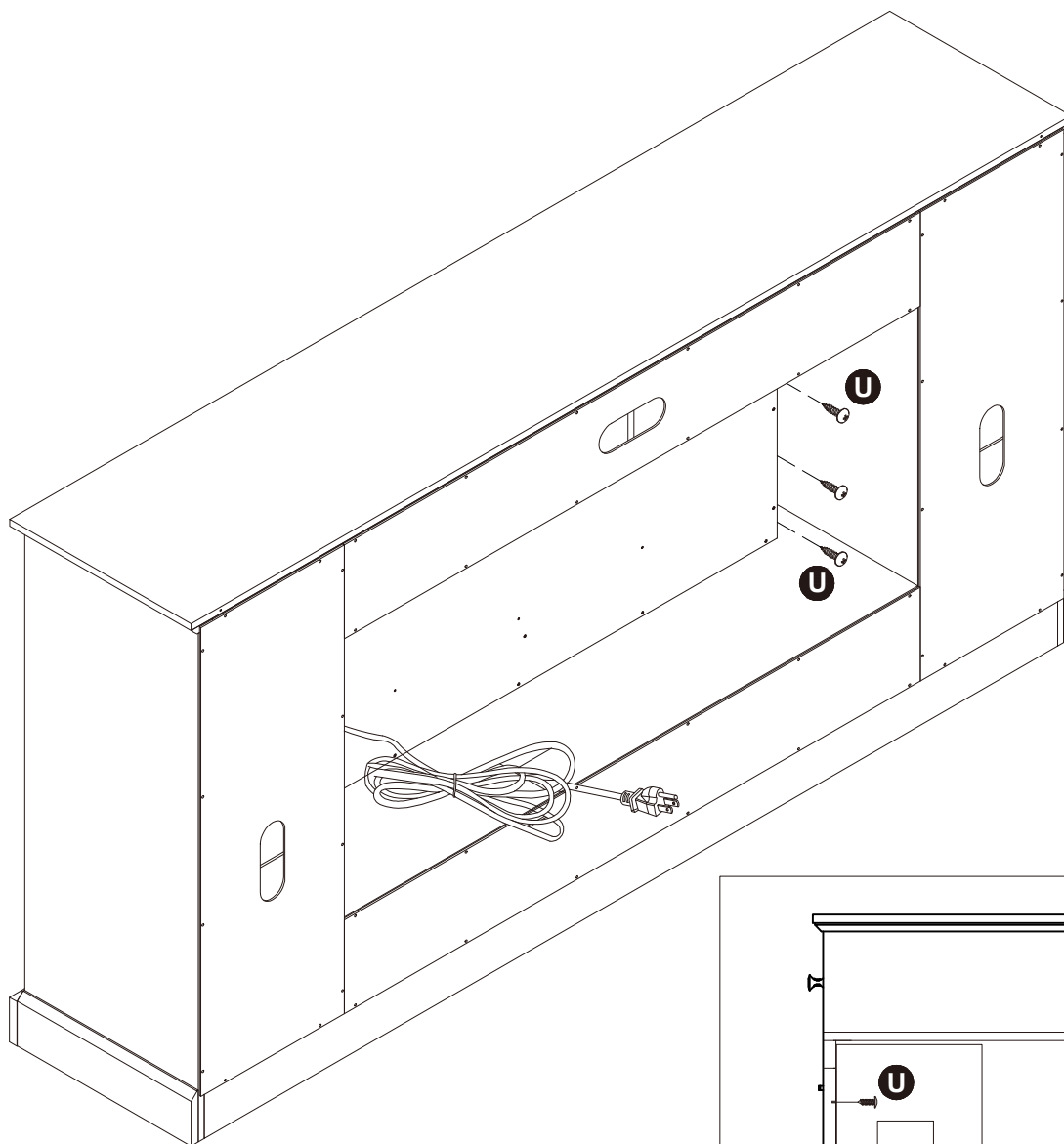
Assembly Instructions

Step 48

U



U x 6



(SIDE VIEW)

Assembly Instructions

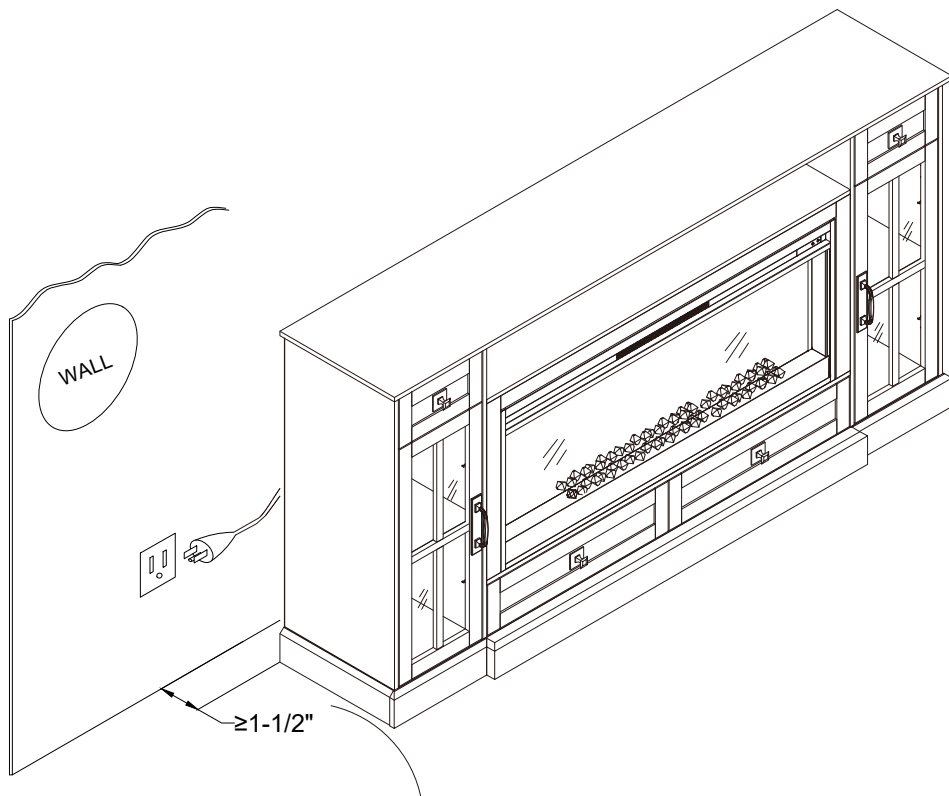
Step 49

BEFORE CONNECTING THE UNIT TO A WALL ELECTRIC OUTLET

Please carefully read and follow instructions and safety warnings in “Fireplace Homeowners Operating Manual” to operate your fireplace.

WARNING

IF THE INFORMATION IN THE FIREPALCE OPERATING MANUAL IS NOT FOLLOWED, AN ELECTRIC SHOCK OR FIRE MAY RESULT IN PROPERTY DAMAGE, PERSONAL INJURY , OR LOSS OF LIFE .



To allow proper heater ventilation, this unit must be located a minimum of 1-1/2" away from a back wall.

Assembly Instructions

Step 50

