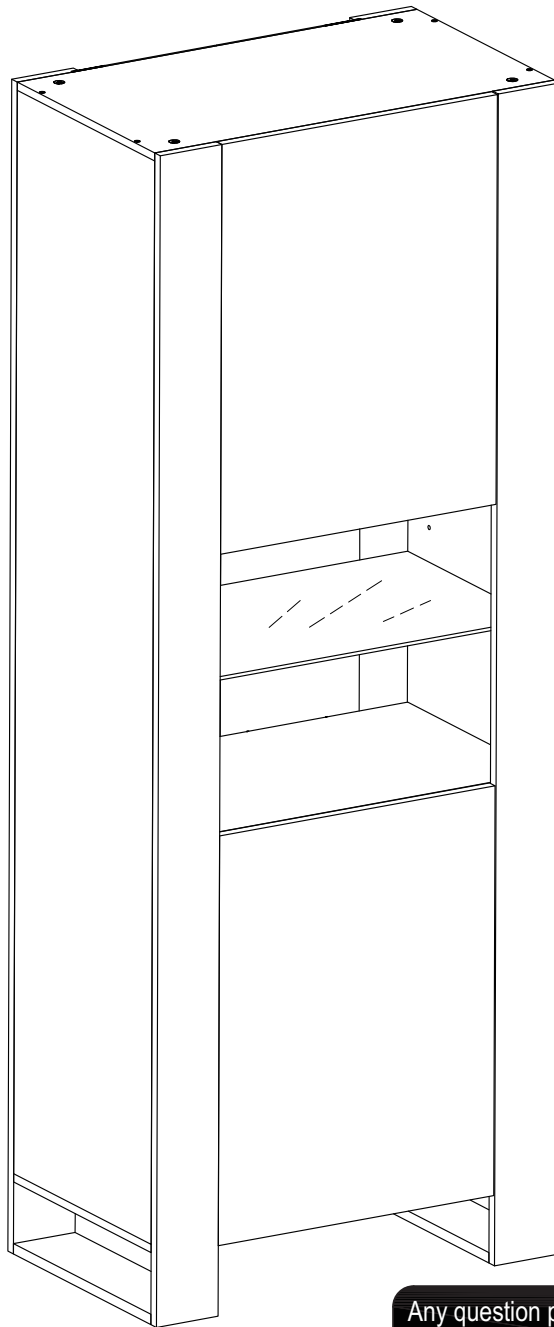


locker

Assembly Instructions - Please keep for future reference



Dimensions

Width - 71 inch
Depth - 19.8inch
Height - 5.9 inch

Any question please feel free to contact us:
support@amer-life.com TEL:(901) 347-2181
We will provide further assistance within 24 hours.

Important – Please read these instructions fully before starting assembly



Safety and Care Advice

Important – Please read these instructions fully before starting assembly

- Check you have all the components and tools listed on the following pages.
- Remove all fittings from the plastic bags and separate them into their groups.
- Keep children and animals away from the work area, small parts could choke if swallowed.
- Make sure you have enough space to layout the parts before starting.

- During assembly do not stand or put weight on the product, this could cause damage.
- Assemble the item as close to its final position (in the same room) as possible.
- Assemble on a soft level surface to avoid damaging the unit or your floor.
- Parts of the assembly will be easier with 2 people.



- To reduce the likelihood of damaging your product please ensure that your power drill is set on a low torque setting.

Care and maintenance

- Only clean using a damp cloth and mild detergent, do not use bleach or abrasive cleaners.
- From time to time check that there are no loose screws on this unit.
- This product should not be discarded with household waste. Take to your local authority waste disposal centre.

Handy Hints

- Assemble all parts and bolts loosely during assembly, only once the product is complete should you fully tighten the bolts
- Regularly check and ensure that all bolts and fittings are tightened properly.

WARNING

In order to help prevent overturning – please follow these instructions

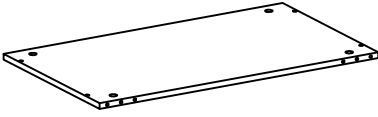
To help prevent product toppling over please follow the below steps:-

Use the anti tip strap or wall fixing method provided (if applicable)
Do not allow children to climb or hang on the furniture
Do not open more than one drawer at a time
Do not place heavy items in the top drawers
Do not place heavy items on top of the furniture, unless the furniture has been designed for this purpose

Please note that only the anti tip strap is provided.
You will need to provide wall plugs and screws applicable for your wall type

Components - Panels

Please check you have all the panels listed below



1 (65X37X1.2) X2



2 (37X158X1.2) X2



3 (10X170X1.5) X1



4 (10X170X1.5) X1



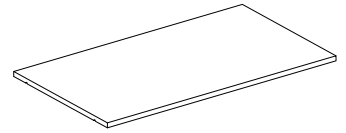
5 (10X170X1.5) X1



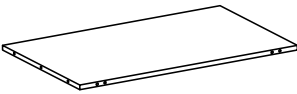
6 (10X170X1.5) X1



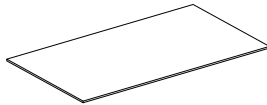
7 (10X37X1.5) X2



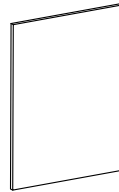
8 (62.6X35.2X1.2) X2



9 (62.6X36.8X1.2) X2



10 (61.5X33X0.5) X1



11 (34.5X59.8X1.5) X2





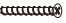
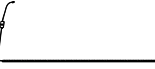
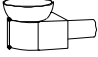


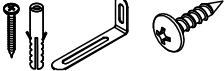






12 (160X23.3X0.3) X2

Components - Fittings

Please check you have all the fittings listed below

Note: The quantities below are the correct amount to complete the assembly. In some cases more fittings may be supplied than are required.

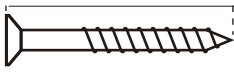
A  7*35mm Cam Bolt x 40	B  Camlock x 40	C  6*30mm Wooden Dowel x 56
D  3.5*14mm Screw x 16	E  4*40mm Screw x 8	F  Strip light x 1
G  Glass suction cup x 4	H  Shelf Support Pin x 8	I  Plastic buckle x 2
J  all Fixing Pack x 2	K  Hinge x 4	L  3*10mm Screw x 2
M  Back buckle x 4	N  2.5*12mm screw x 24	

Tools required

 Phillips screwdriver
(medium & large)

Ruler - Use this ruler to help correctly identify the screws

0 5 10 15 20 25 30 35 40 45 50 55 60 65 70 75 80 85 90 95 100 105 110 115 120 125 130 135 140 145 150 155 160 165 170

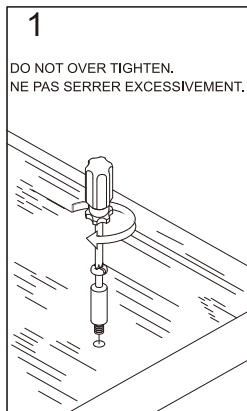


The screws length is measured from the head to the point (30mm screw shown).

Using Camlocks

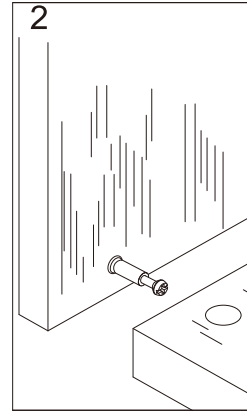
Step 1

Connect the male camlock as directed in the assembly instructions using a screwdriver.



Step 2

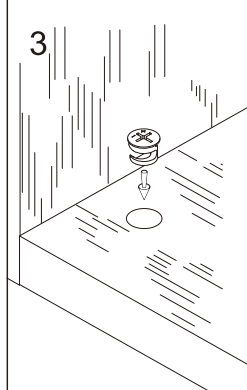
Push the male camlock into the entry hole.



Step 3

Insert the female camlock as shown in the instructions.

Note: ensure that the arrow on the top of the camlock points towards the entry hole for the male camlock.

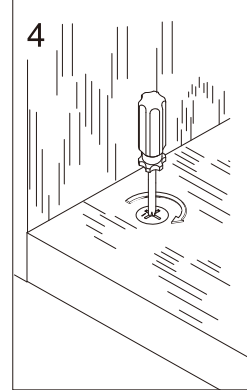


Step 4

Turn the female camlock clockwise with a screwdriver.

You should feel a click when the camlock is locked in place.

The joint is now secure.



Adjusting Hinges

Hinge adjustment:

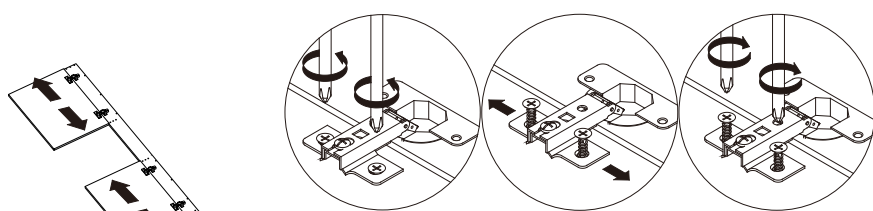
a: To move the top panel up or down, loosen screws shown and move top panel to suit

b: To move the top panel in or out, loosen screws shown and move top panel to suit.

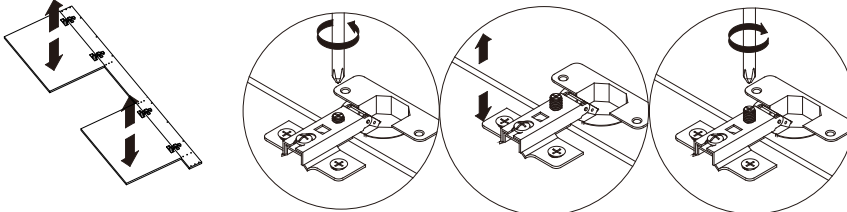
Retighten screws

C: To move the top panel left or right, adjust screws shown.

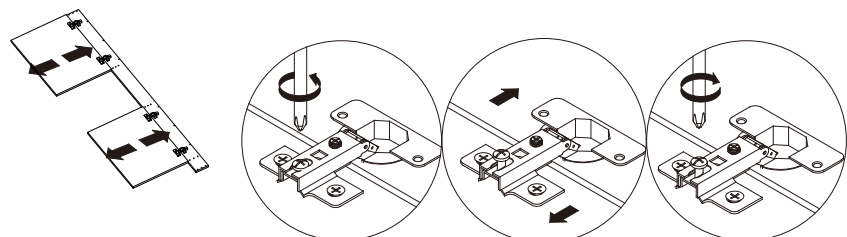
a:



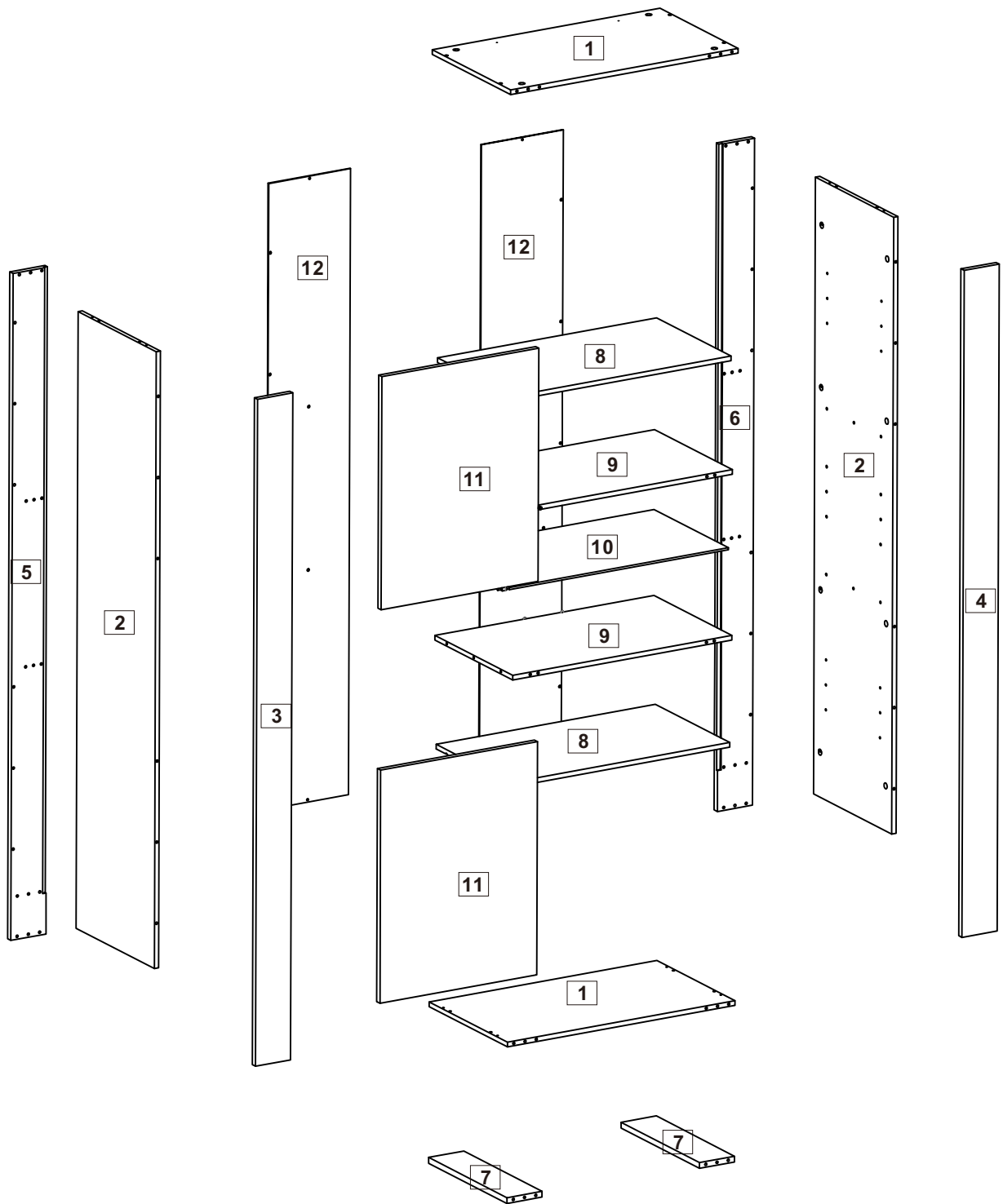
b:



C:

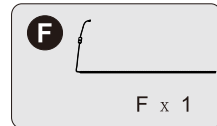
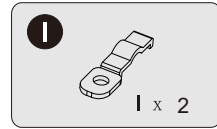
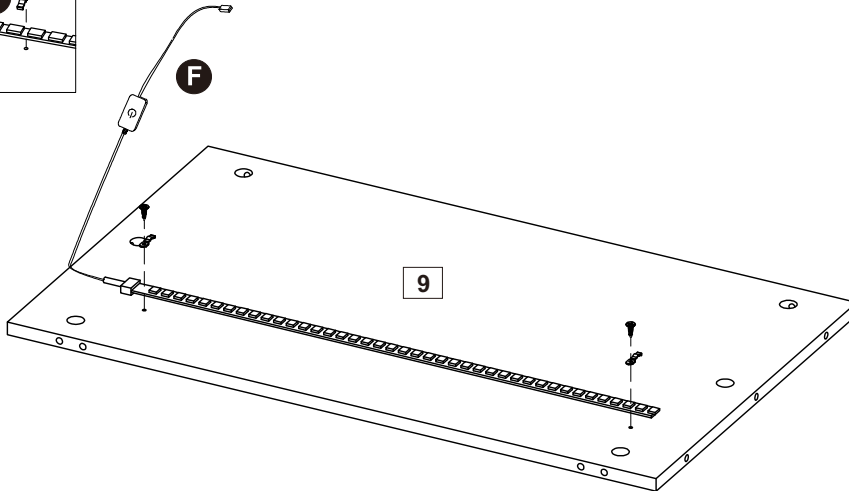
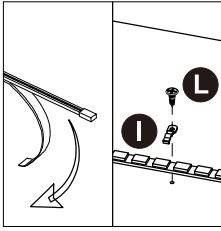


Assembly Instructions



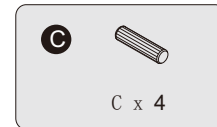
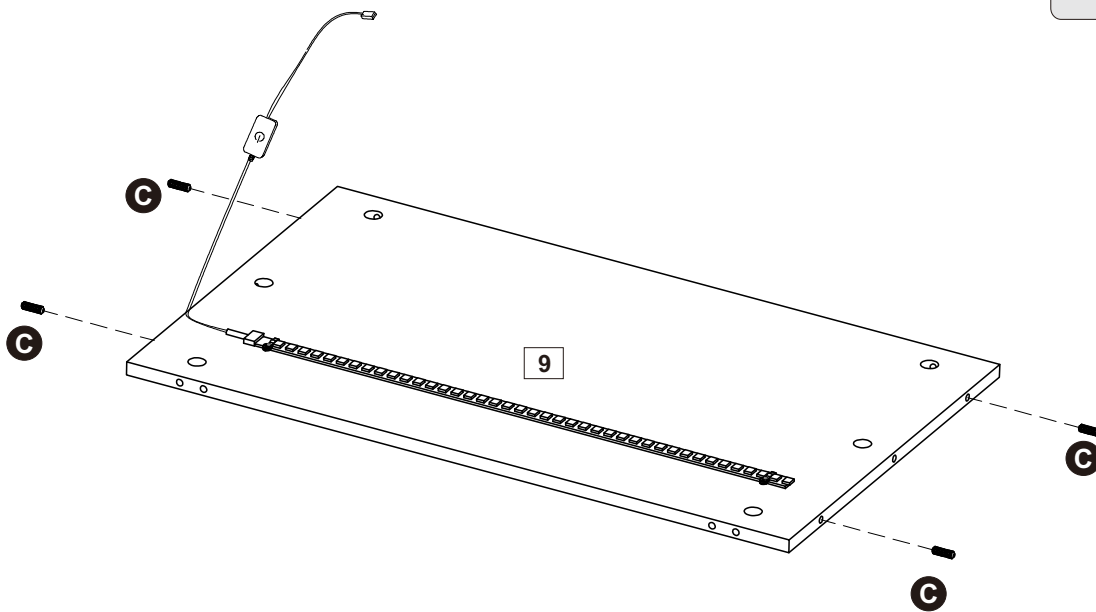
Assembly Instructions

Step 1



Fixing the lamp strip (F) to the panel (9) with the components (I, L)

Step 2



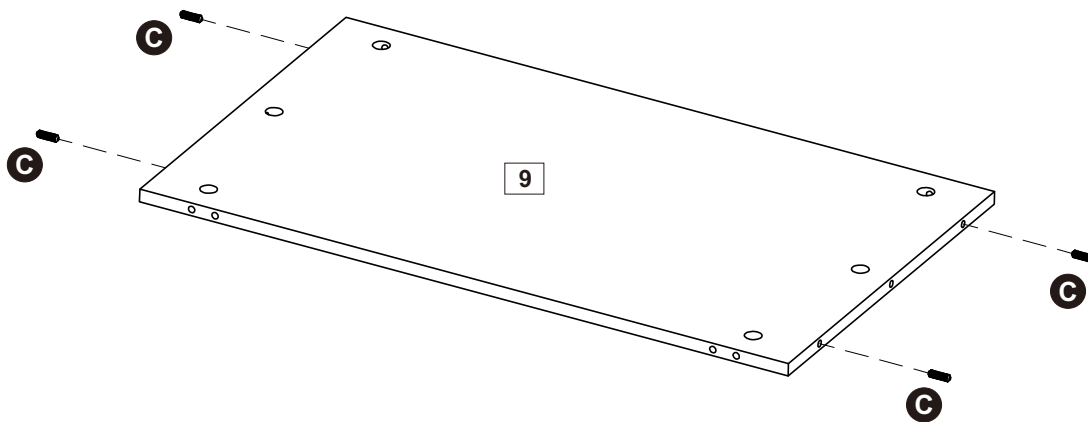
Insert wooden dowel (C) into part (9)

Assembly Instructions

Step 3



C x 4

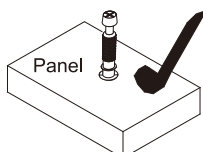
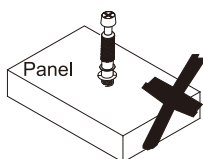
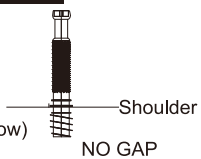


Insert wooden dowel (C) into part (9)

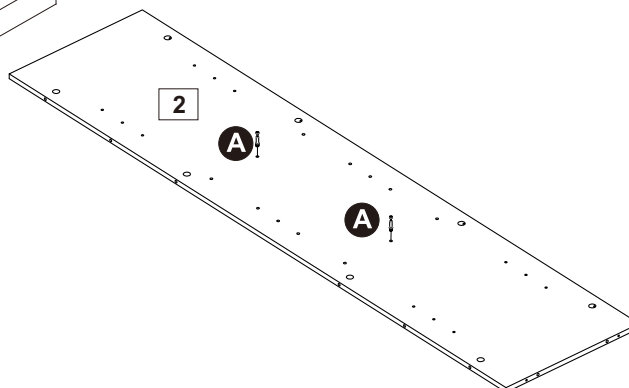
Step 4

CAM-LOCK

Tighten until shoulder is flush with panel. Do not overtighten or undertighten (see example below)



A x 4

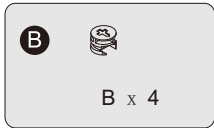
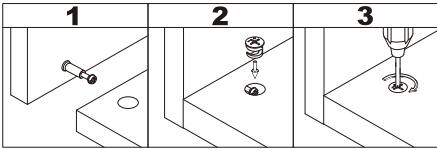


X 2

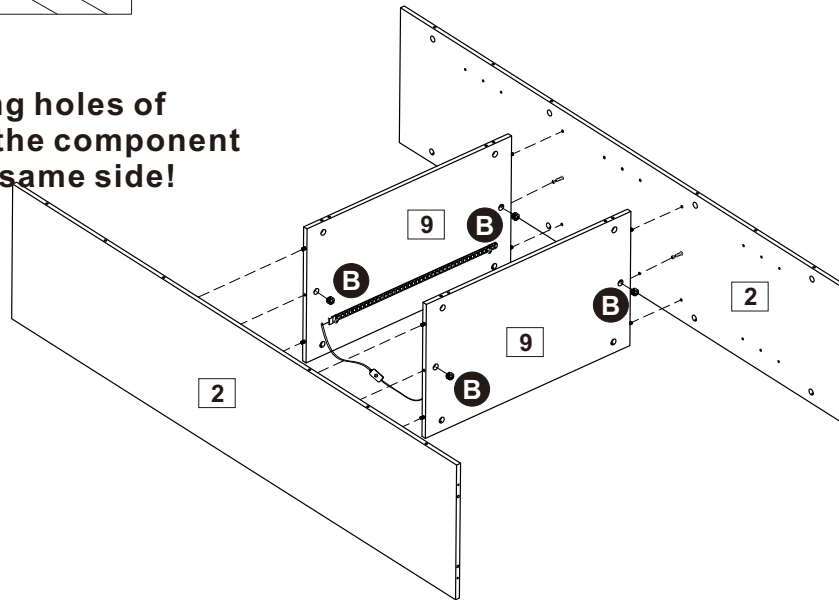
Attach cam bolt (A) to part (2) with a screwdriver.

Assembly Instructions

Step 5

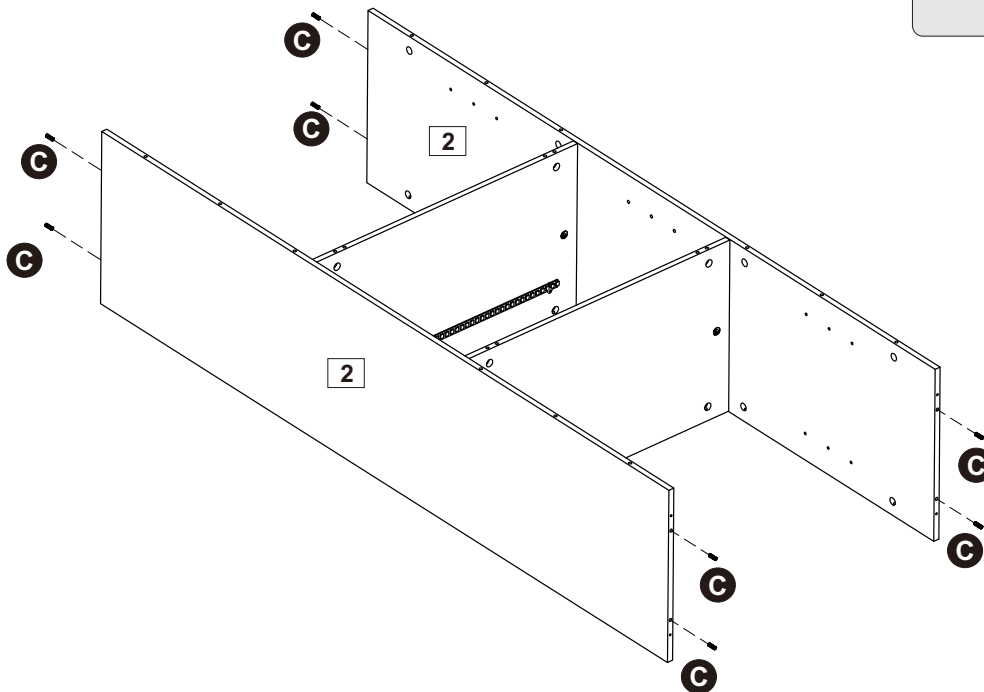
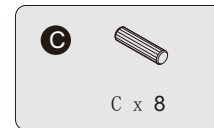


Note that the fixing holes of the back plate of the component (9) are facing the same side!



Attach side panel (2) to (9), insert and lock cam lock (B).

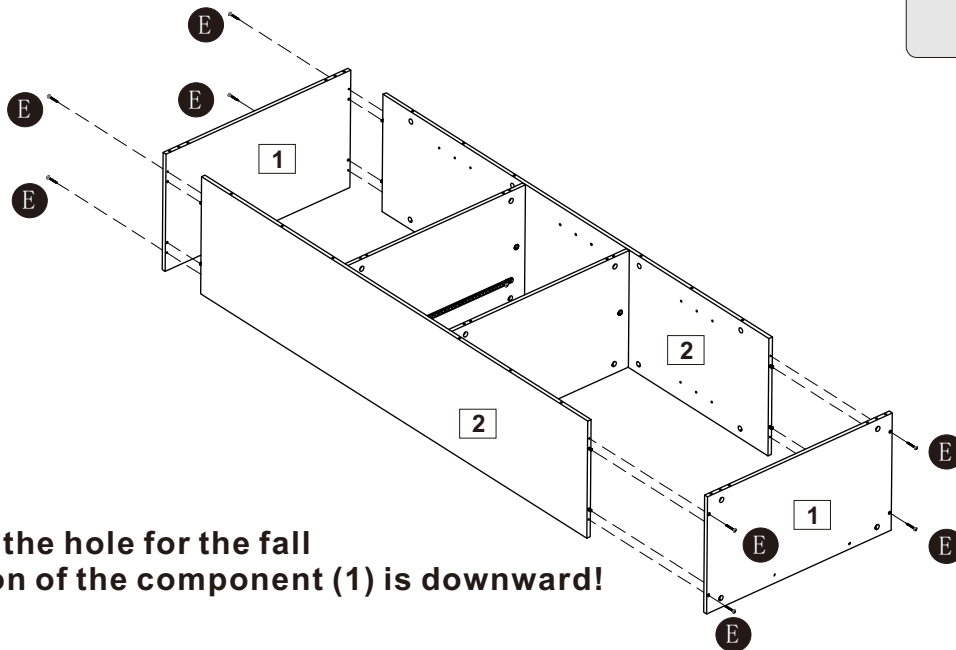
Step 6



Insert wooden dowel (C) into part (2)

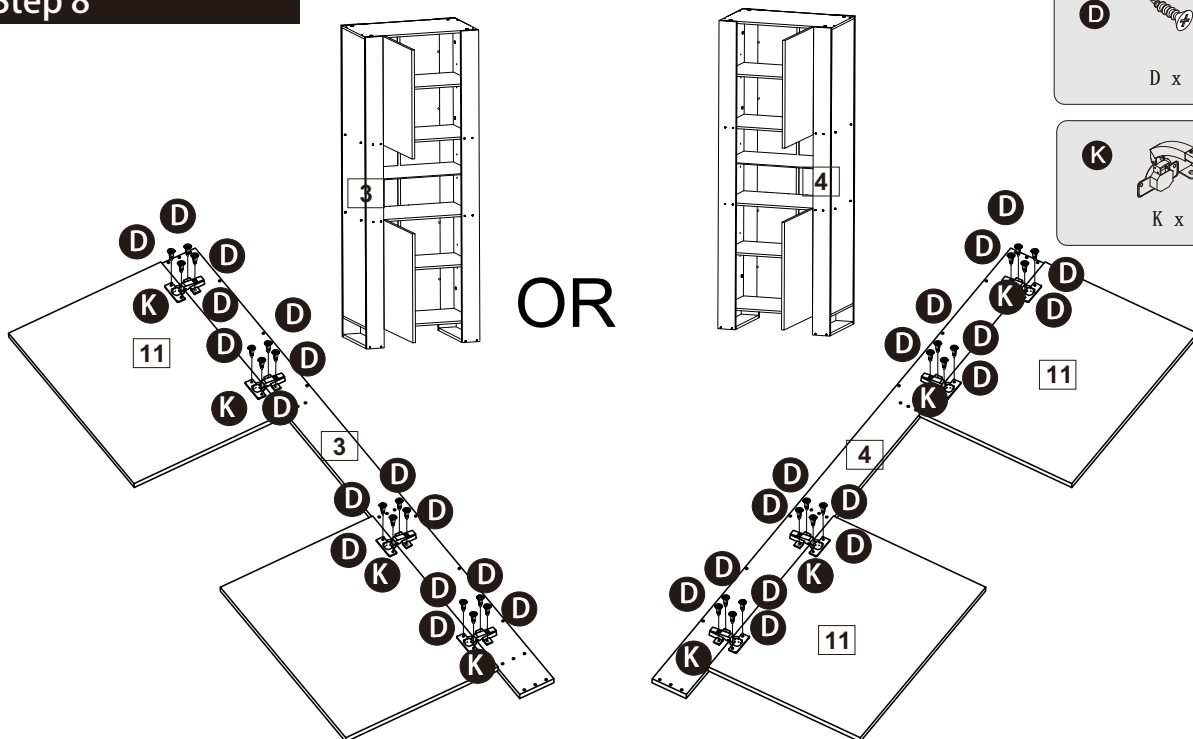
Assembly Instructions

Step 7



Secure component (1) to component (2) with part (E) and lock.

Step 8



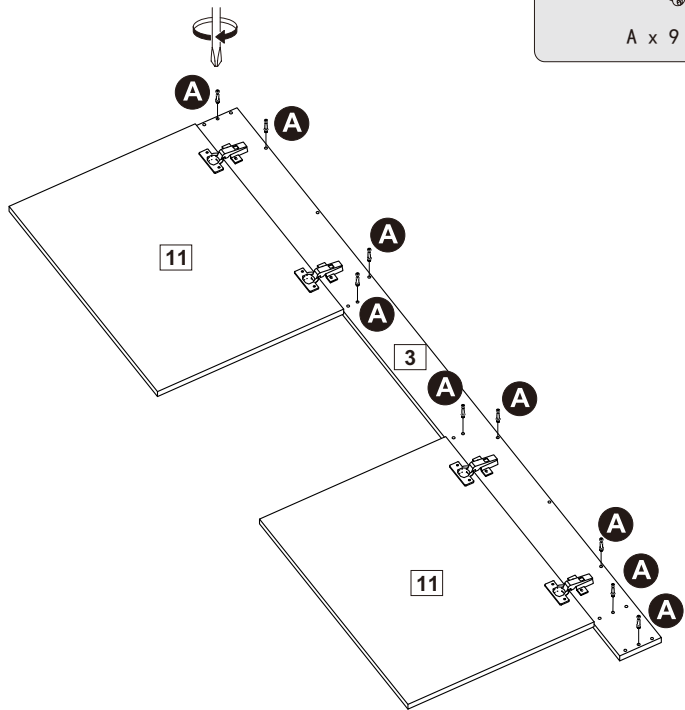
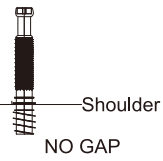
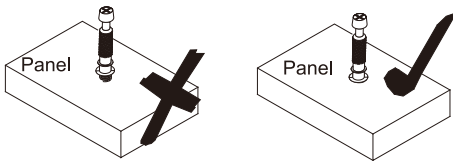
Fasten hinge (K) to door (11) with screws (D) and then fasten hinge (K) to component (3) or component (4) with a screwdriver.

Assembly Instructions

Step 9

CAM-LOCK

Tighten until shoulder is flush with panel. Do not overtighten or undertighten (see example below)

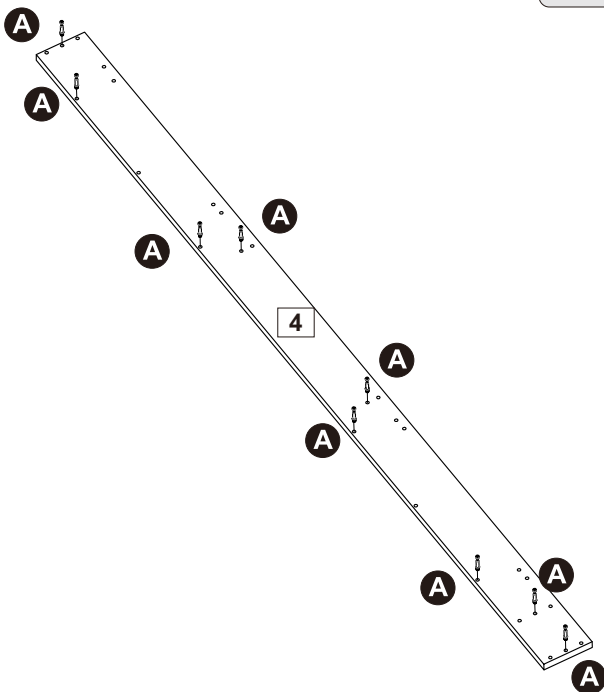
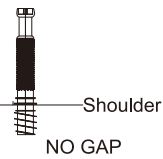
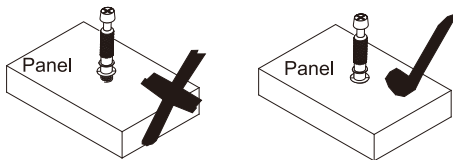


Attach cam bolt (A) to part (3) with a screwdriver.

Step 10

CAM-LOCK

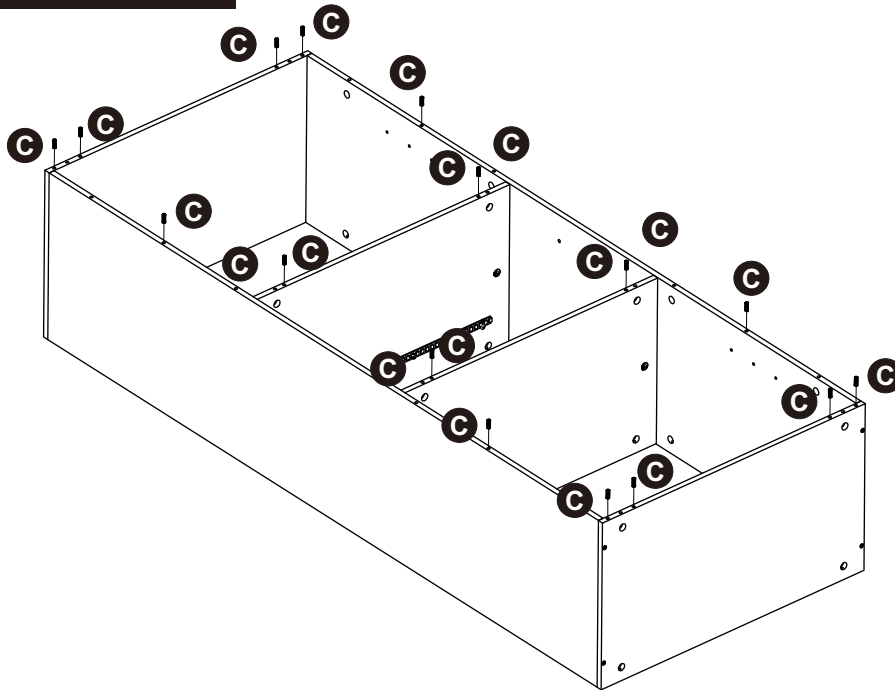
Tighten until shoulder is flush with panel. Do not overtighten or undertighten (see example below)



Attach cam bolt (A) to part (4) with a screwdriver.

Assembly Instructions

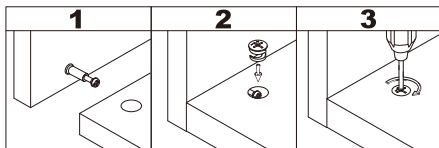
Step 11



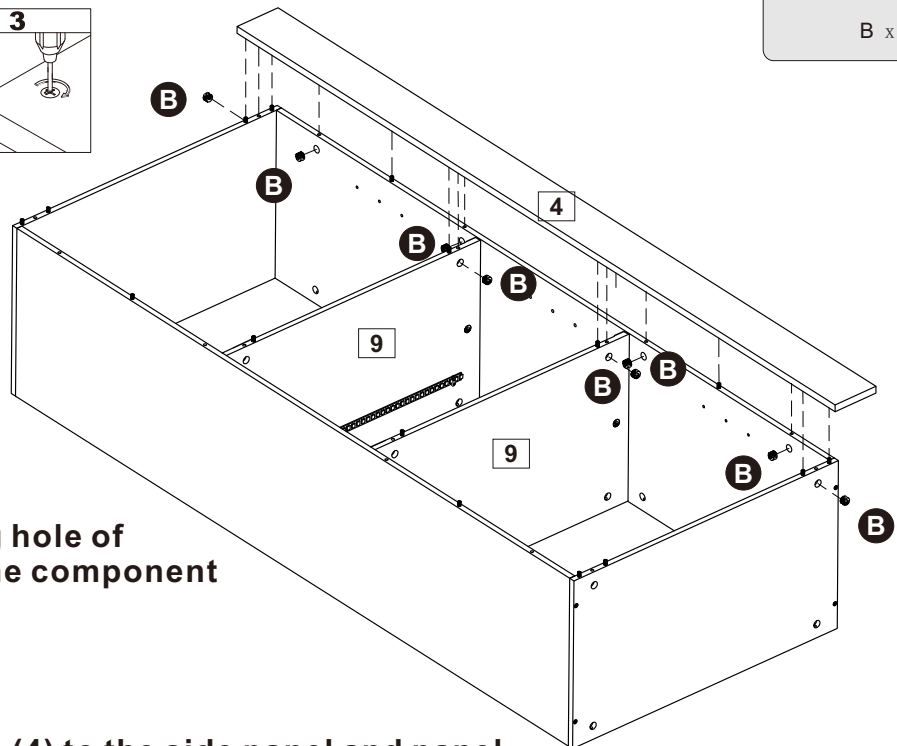
C x 16

Insert the wooden pin (C) into the side panel and the deck.

Step 12



B x 8

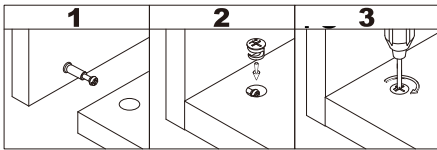


Note that the fixing hole of the back plate of the component (9) is downward!

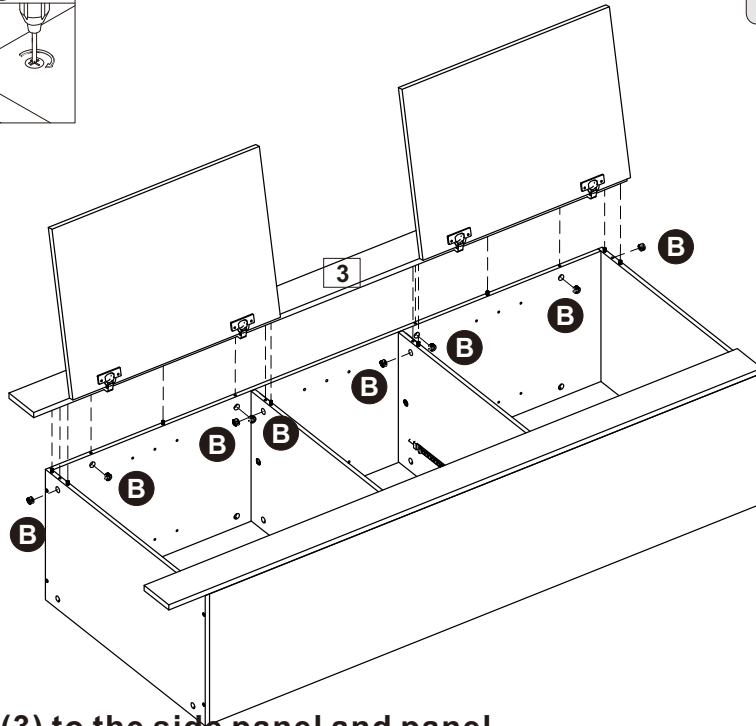
Attach the foot plate (4) to the side panel and panel, insert and lock the cam lock (B).

Assembly Instructions

Step 13

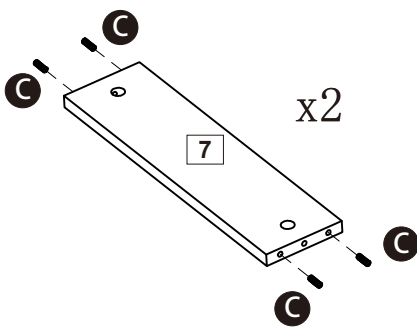


B 
B x 8



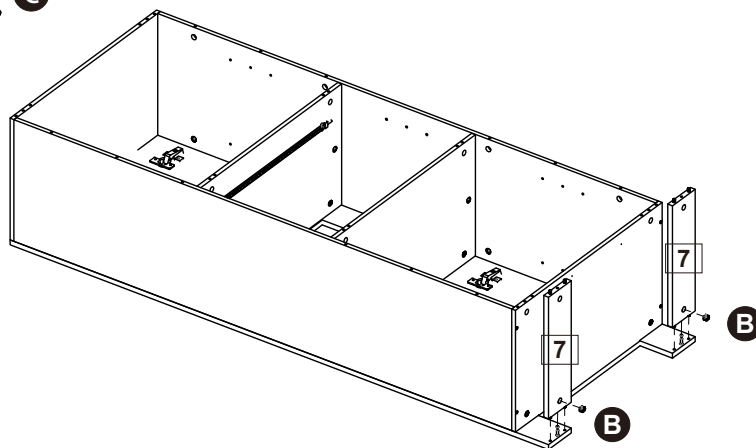
Attach the foot plate (3) to the side panel and panel, insert and lock the cam lock (B).

Step 14



B 
B x 2

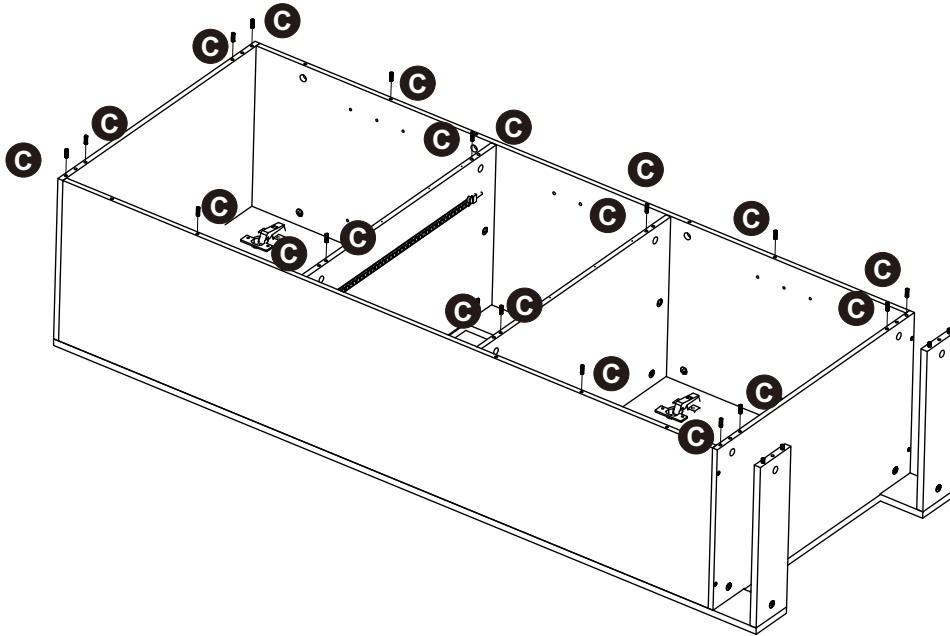
C 
C x 8



Insert wooden pin (C) into part (7), connect part (7) to parts (3, 4), then insert cam lock (B) into part (7) and lock it.

Assembly Instructions

Step 15



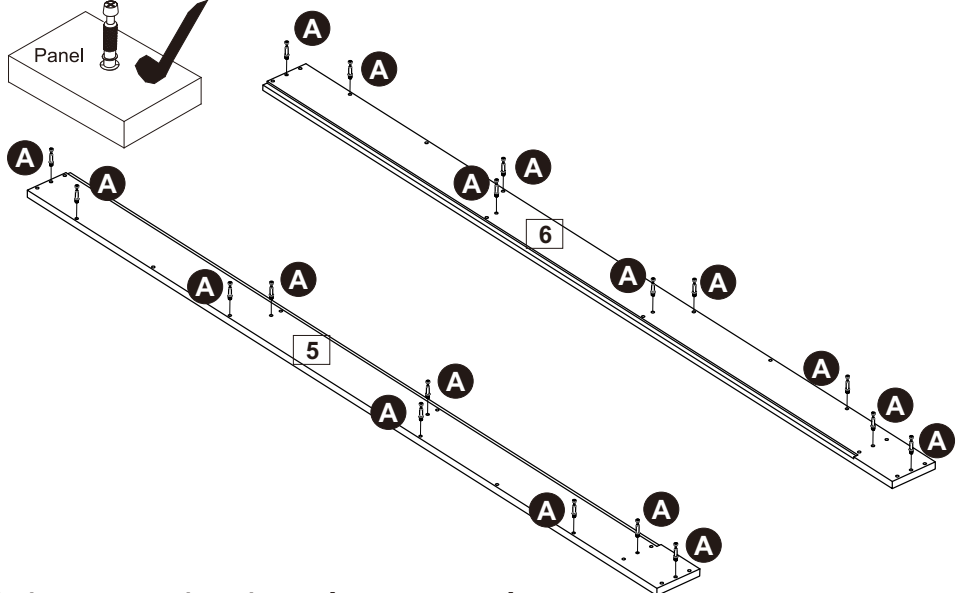
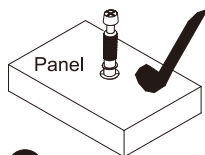
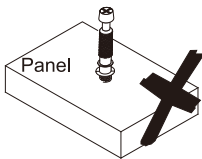
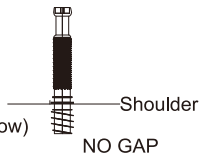
Insert the wooden pin (C) into the side panel and the deck.

Step 16



CAM-LOCK

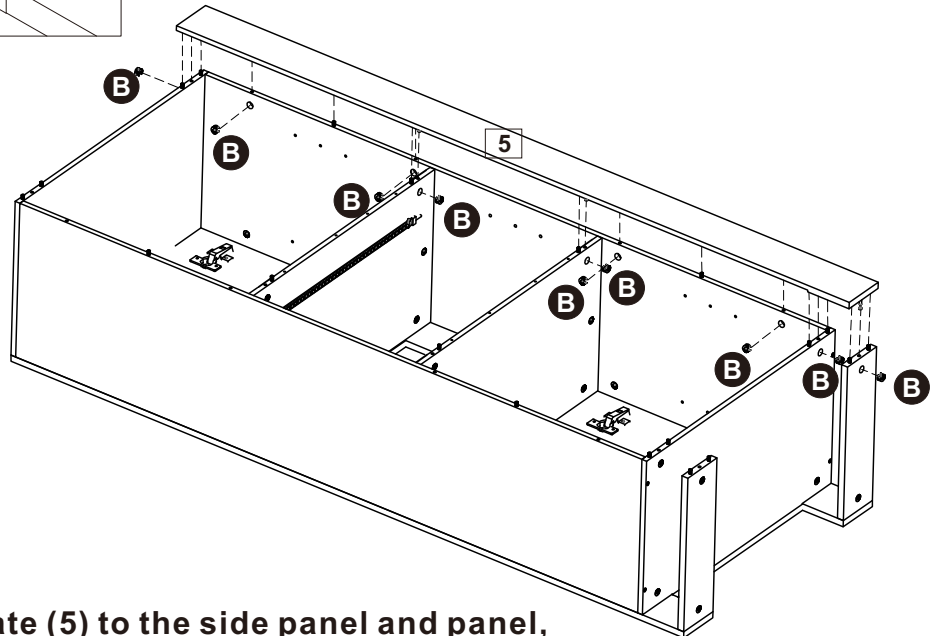
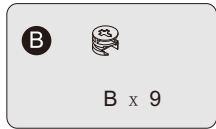
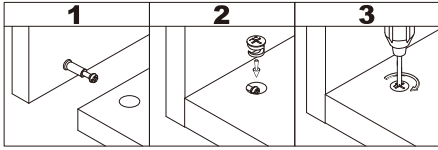
Tighten until shoulder is flush with panel. Do not overtighten or undertighten (see example below)



Attach cam bolt (A) to part (5,6) with a screwdriver.

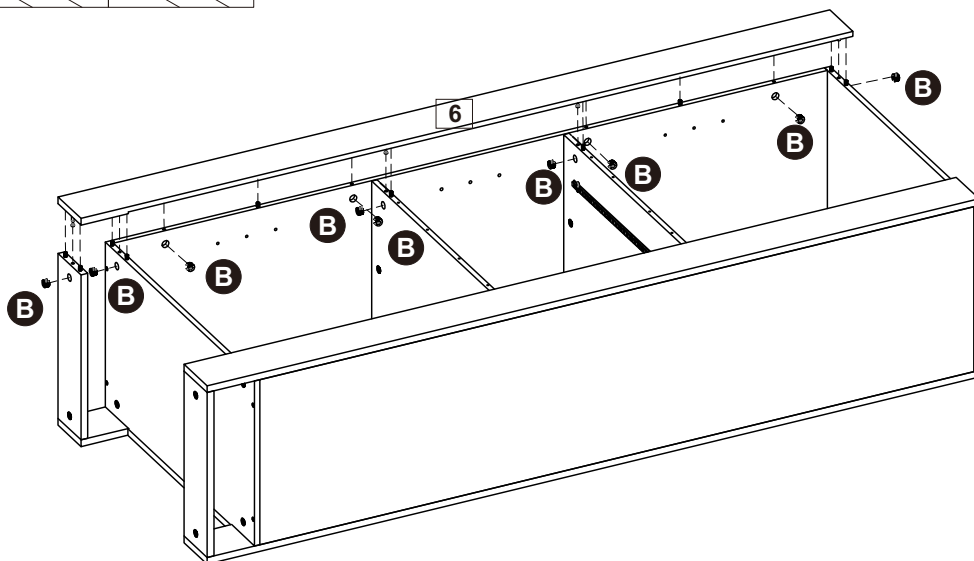
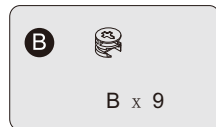
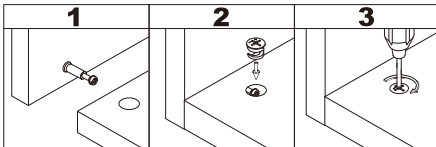
Assembly Instructions

Step 17



Attach the foot plate (5) to the side panel and panel, insert and lock the cam lock (B).

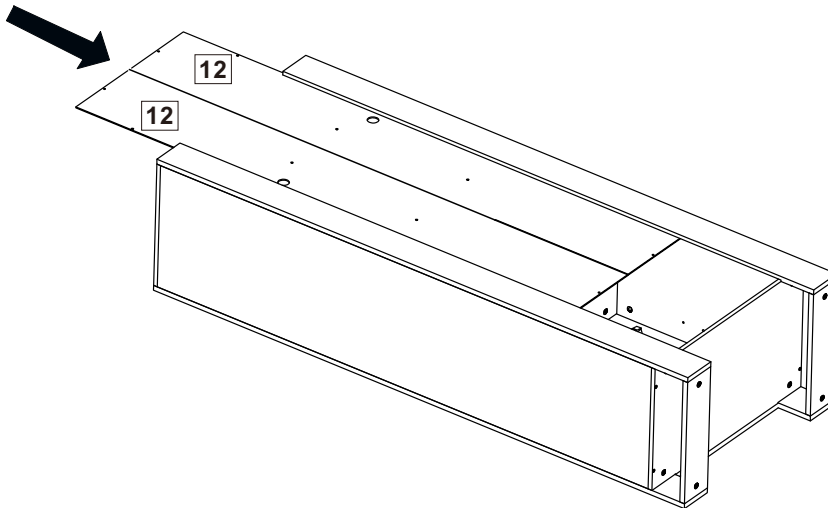
Step 18



Attach the foot plate (6) to the side panel and panel, insert and lock the cam lock (B).

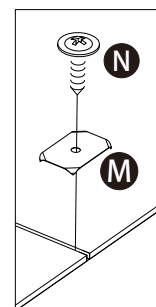
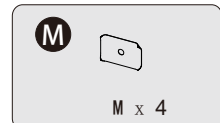
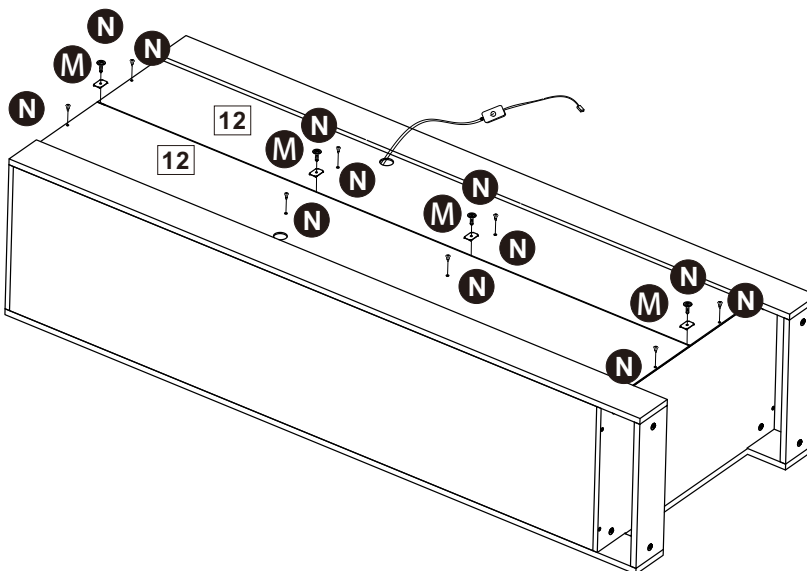
Assembly Instructions

Step 19



Slide the backing plate (12) into the groove as shown.

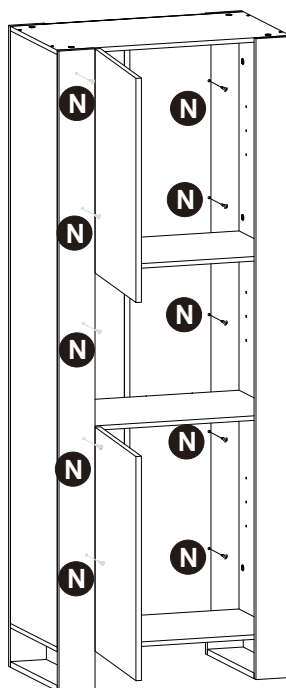
Step 20



Secure component (12) with screws (N),
And using a back buckle (M), lock the back plate (12)!

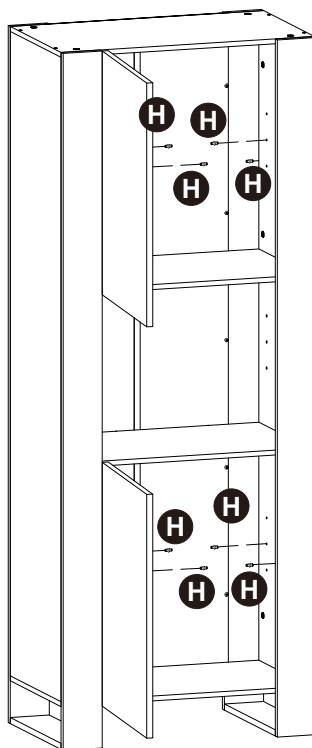
Assembly Instructions

Step 21



Secure component (12) with screws (N).

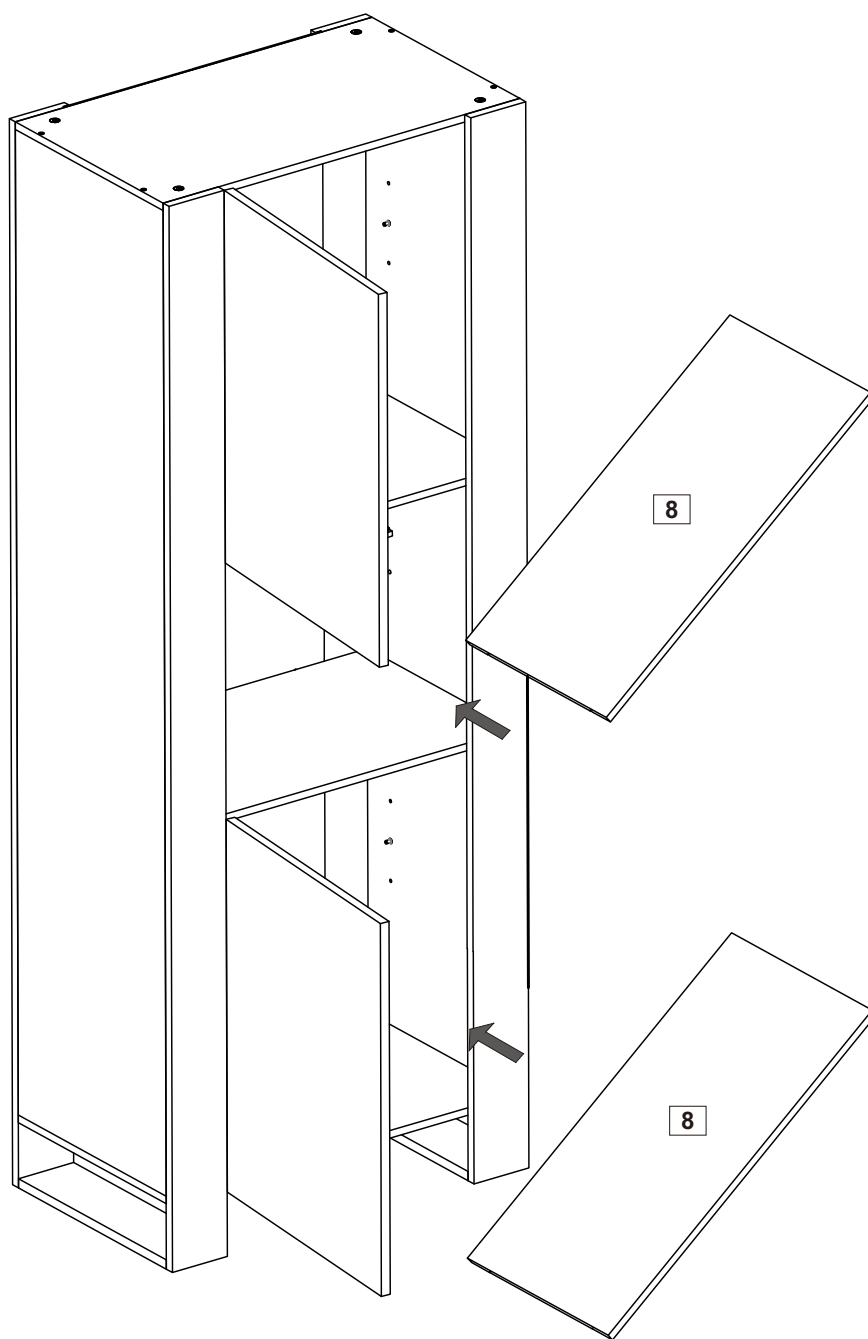
Step 22



Insert the layer holder (H) into the side panel.

Assembly Instructions

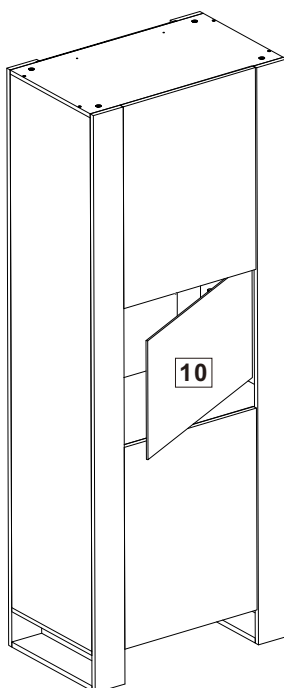
Step 23



Place the movable panel (8) on top of the panel holder.

Assembly Instructions

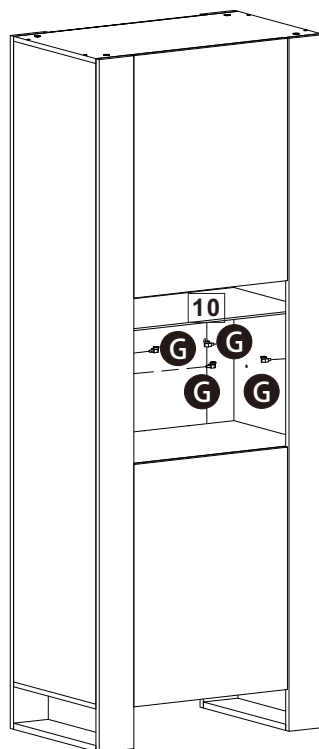
Step 24



Note that the movable glass panel (10) must be pushed in as shown in the figure!

Place the movable panel (10) on top of the panel holder.

Step 25



G



G x 4



Note: hold the glass panel (10) by hand, then insert the glass suction cup (G), and then put the glass panel down!

Insert the layer holder (G) into the side panel.

Assembly Instructions

Step 26

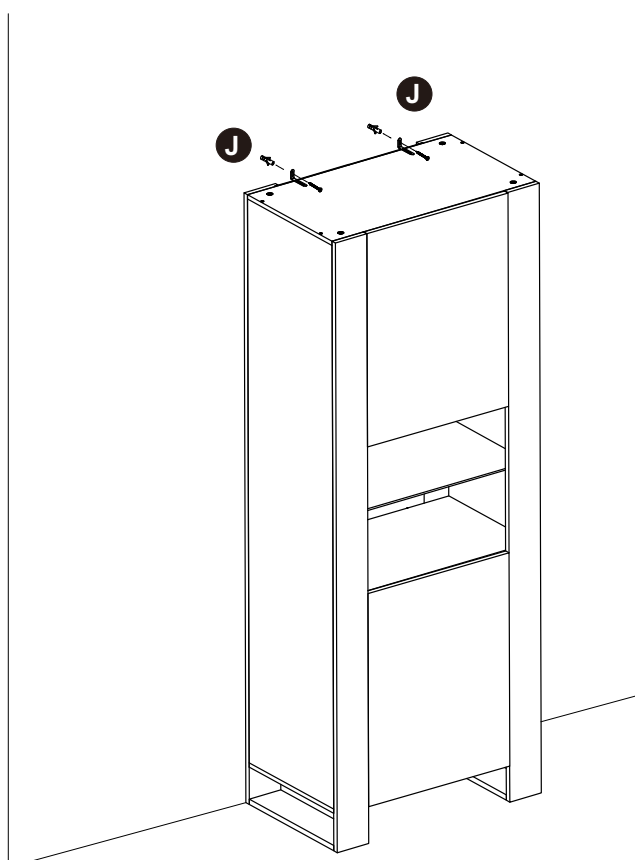
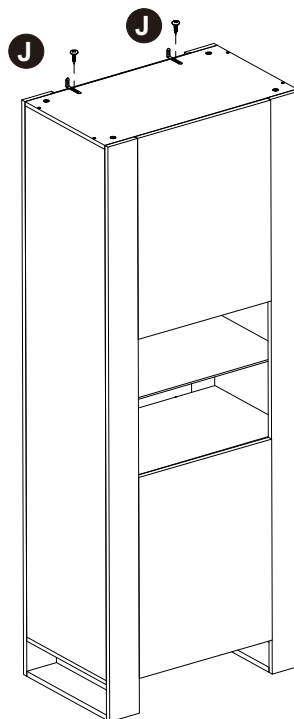
The unit is floor standing, but it is recommended that the unit is secured to the wall.

1. Move the unit into desired position.
2. Mark the wall with a suitable scribe the position of the fixing holes.



Warning:
Before drilling, check wall for hidden pipes and cables.

3. Drill holes and insert 2 x wall plug
4. Attach the back-up pad to the top with two screws.
5. Use screws to secure the anti-roll iron to the wall.



Assembly is complete.