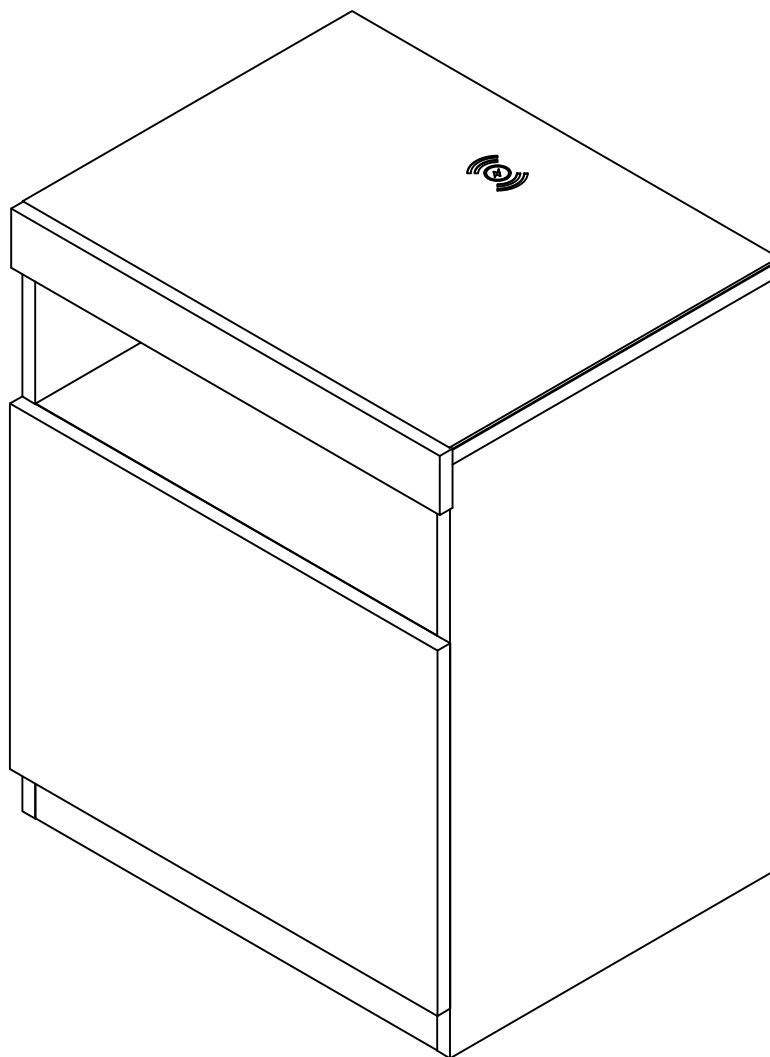


# Nightstand

Assembly Instructions - Please keep for future reference

1061090238B

1061090239B



## Dimensions

Width - 500mm

Depth - 400mm

Height - 620mm

**Important – Please read these instructions fully before starting assembly**



# Safety and Care Advice

**Important – Please read these instructions fully before starting assembly**

- Check you have all the components and tools listed on the following pages.
- Remove all fittings from the plastic bags and separate them into their groups.
- Keep children and animals away from the work area, small parts could choke if swallowed.
- Make sure you have enough space to layout the parts before starting.

- During assembly do not stand or put weight on the product, this could cause damage.
- Assemble the item as close to its final position (in the same room) as possible.
- Assemble on a soft level surface to avoid damaging the unit or your floor.
- Parts of the assembly will be easier with 2 people.



- To reduce the likelihood of damaging your product please ensure that your power drill is set on a low torque setting.

## Care and maintenance

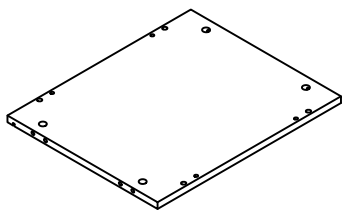
- Only clean using a damp cloth and mild detergent, do not use bleach or abrasive cleaners.
- From time to time check that there are no loose screws on this unit.
- This product should not be discarded with household waste. Take to your local authority waste disposal centre.

## Handy Hints

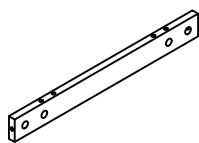
- Assemble all parts and bolts loosely during assembly, only once the product is complete should you fully tighten the bolts
- Regularly check and ensure That all bolts and fittings are tightend properly.

# Components - Panels

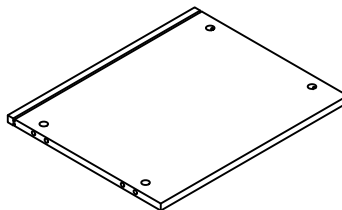
Please check you have all the panels listed below



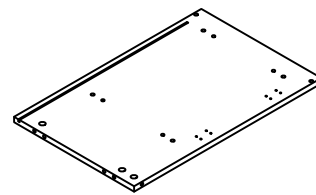
1 (470X385X15mm)X1



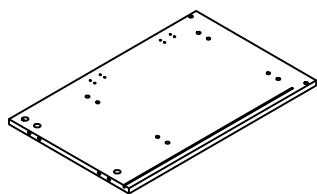
2 (470X50X15mm)X2



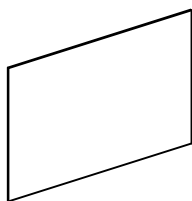
3 (470X385X15mm)X1



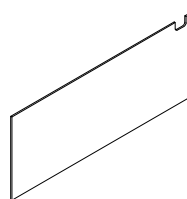
4 (600X385X15mm)X1



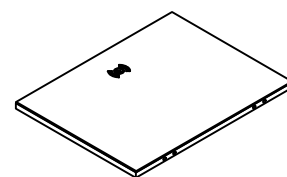
5 (600X385X15mm)X1



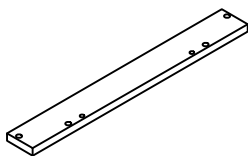
6 (480X350X2.7mm)X1



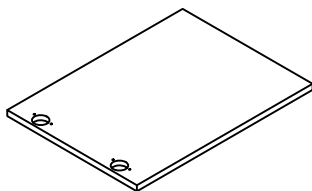
7 (480X190X2.7mm)X1



8 (500X38X18mm)X1



9 (500X60X15mm)X1








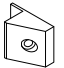

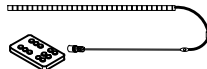
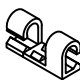



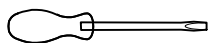
10 (500X370X15mm)X1

# Components - Fittings

Please check you have all the panels listed below

**Note:** The quantities below are the correct amount to complete the assembly. In some cases more fittings may be supplied than are required.

<b>A</b>  Male Camlock x 24	<b>B</b>  Female Camlock x 24	<b>C</b>  Dowel x 18
<b>D</b>  Door Hinge x 2	<b>E</b>  3.5*14mm Screw x 12	<b>F</b>  Protective Feet x 8
<b>G</b>  3*17mm Screw x 8	<b>H</b>  Plasticwedge x 8	<b>I</b>  Adapter x 1
<b>J</b>  Light Strip x 1	<b>K</b>  Wire Holder x 4	<b>L</b>  Ø20 Sticker x 18



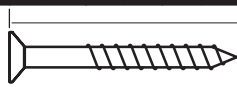
## Tools required



Phillips screwdriver  
(medium & large)

## Ruler - Use this ruler to help correctly identify the screws

0 5 10 15 20 25 30 35 40 45 50 55 60 65 70 75 80 85 90 95 100 105 110 115 120 125 130 135 140 145 150 155 160 165 170



The screws length is measured from the head to the point (35mm screw shown).

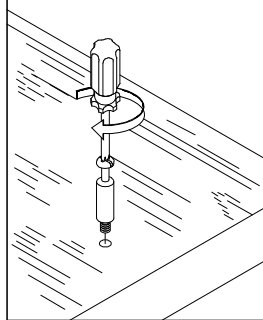
# Using Camlocks

## Step 1

Connect the male camlock as directed in the assembly instructions using a screwdriver.

1

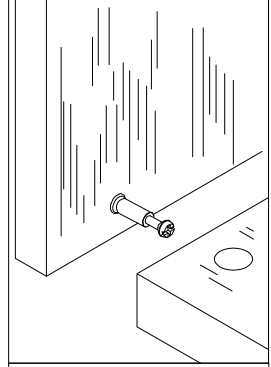
DO NOT OVER TIGHTEN.  
NE PAS SERRER EXCESSIVEMENT.



## Step 2

Push the male camlock into the entry hole.

2

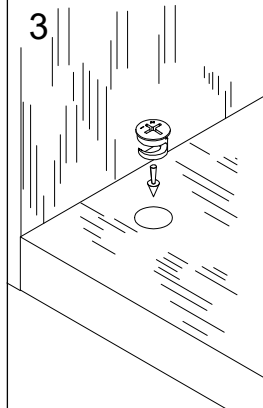


## Step 3

Insert the female camlock as shown in the instruction.

Note: ensure that the arrow on the top of the camlock points towards the entry hole for the male camlock.

3



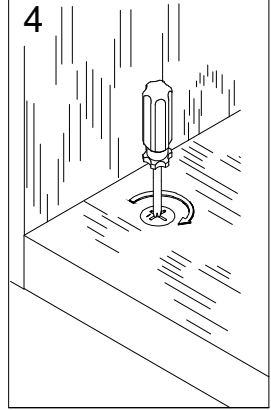
## Step 4

Turn the female camlock clockwise with a screwdriver.

You should feel a click when the camlock is locked in place.

The joint is now secure.

4



# Adjusting Hinges

## Hinge adjustment:

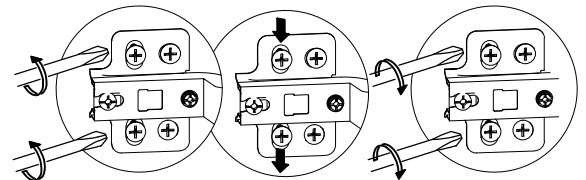
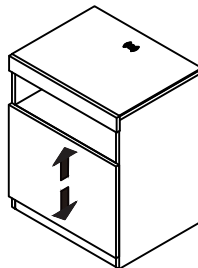
a: To move the top panel up or down, loosen screws shown and move top panel to suit

b. To move the top panel in or out, loosen screws shown and move top panel to suit.

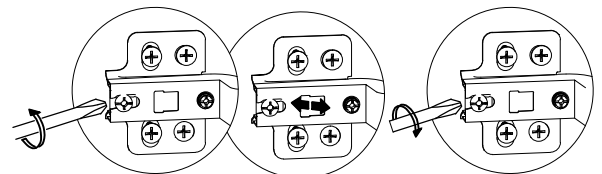
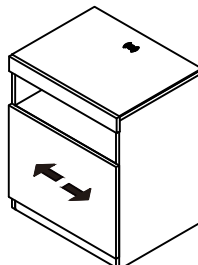
Retighten screws

C: To move the top panel left or right, adjust screws shown.

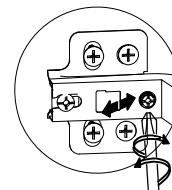
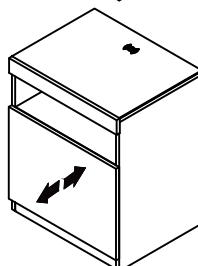
a:



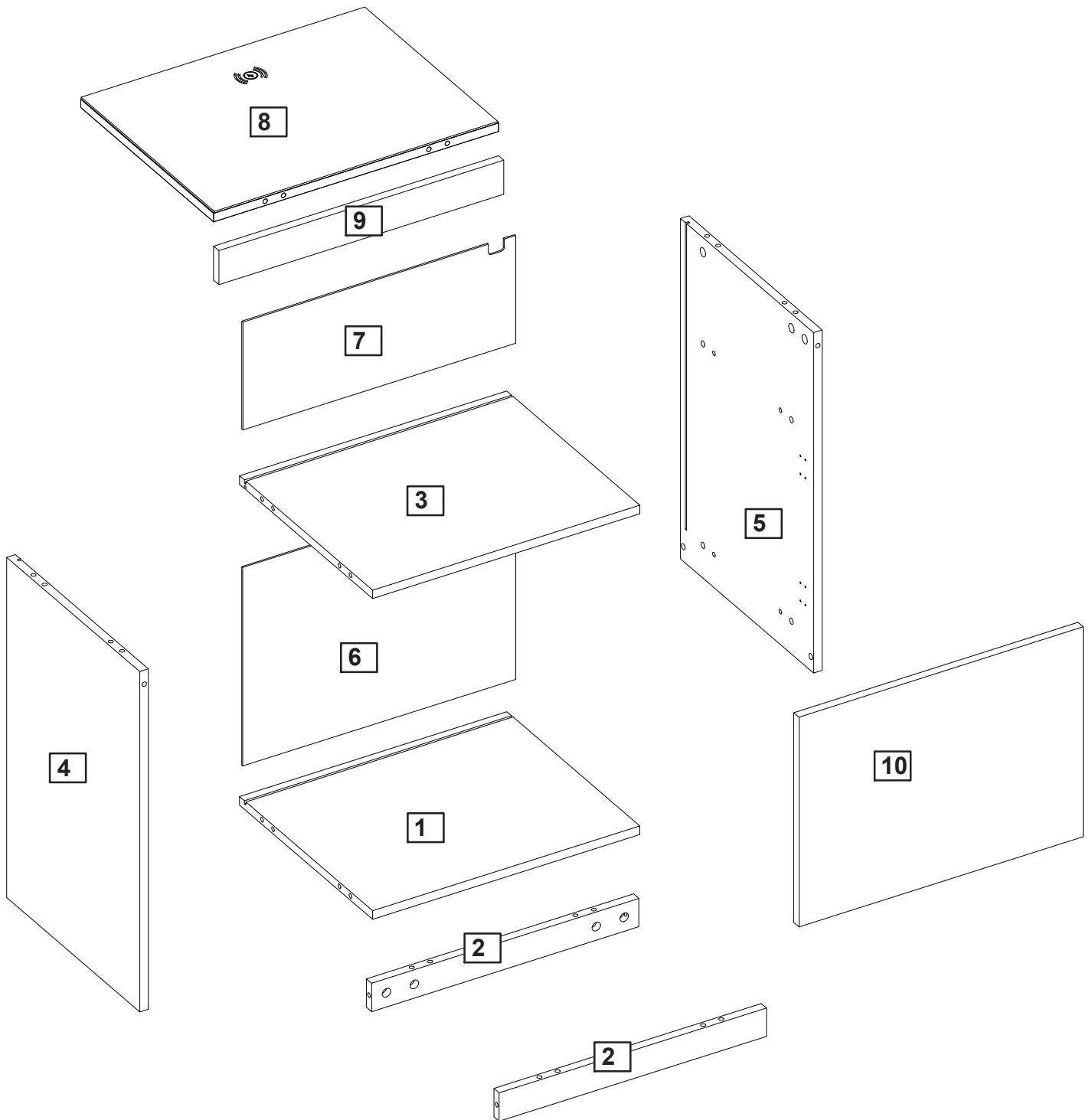
b:



c:

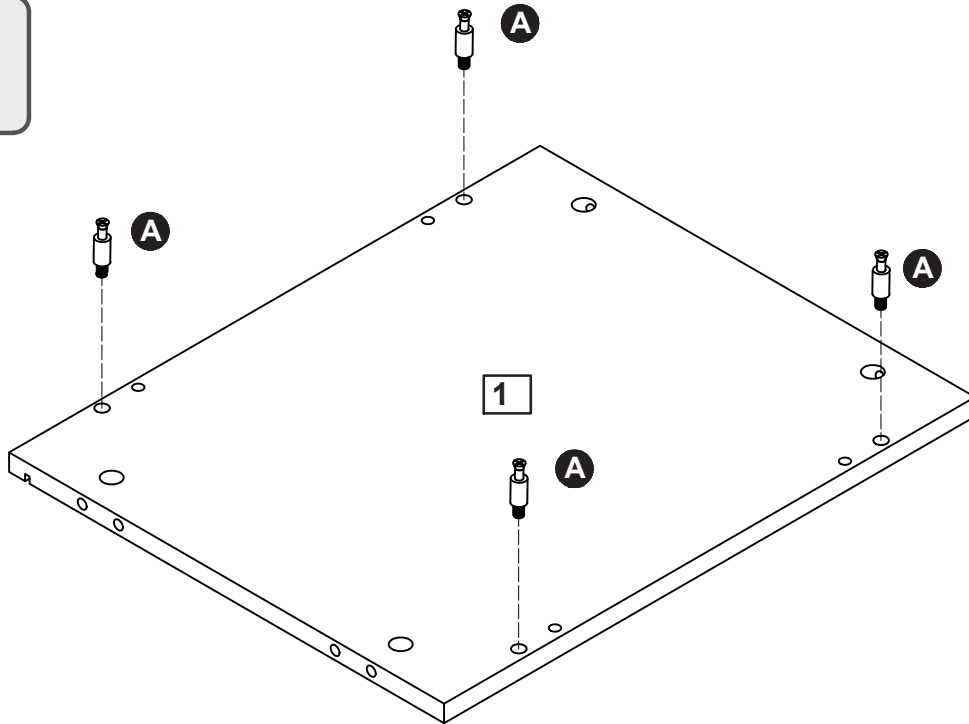
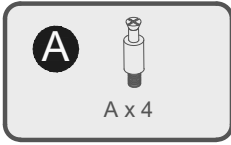


# Assembly Instructions

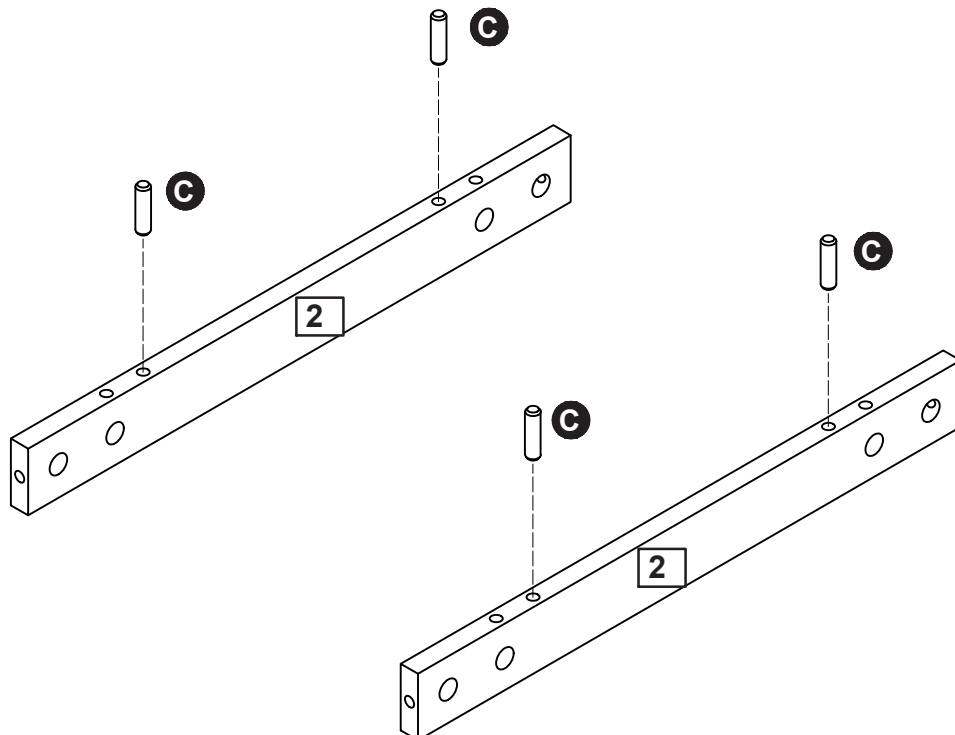
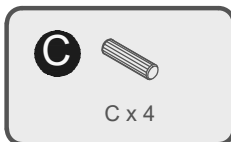


# Assembly Instructions

## Step 1

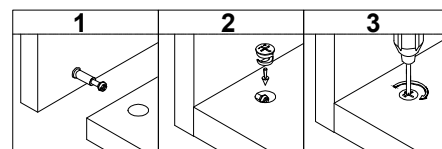
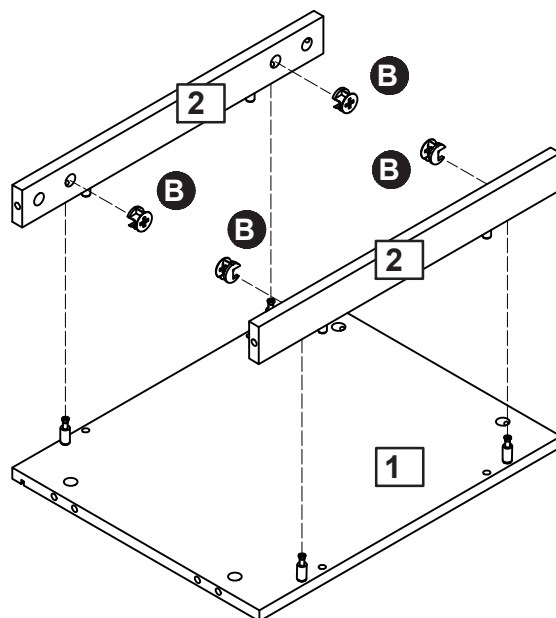
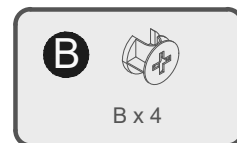


## Step 2

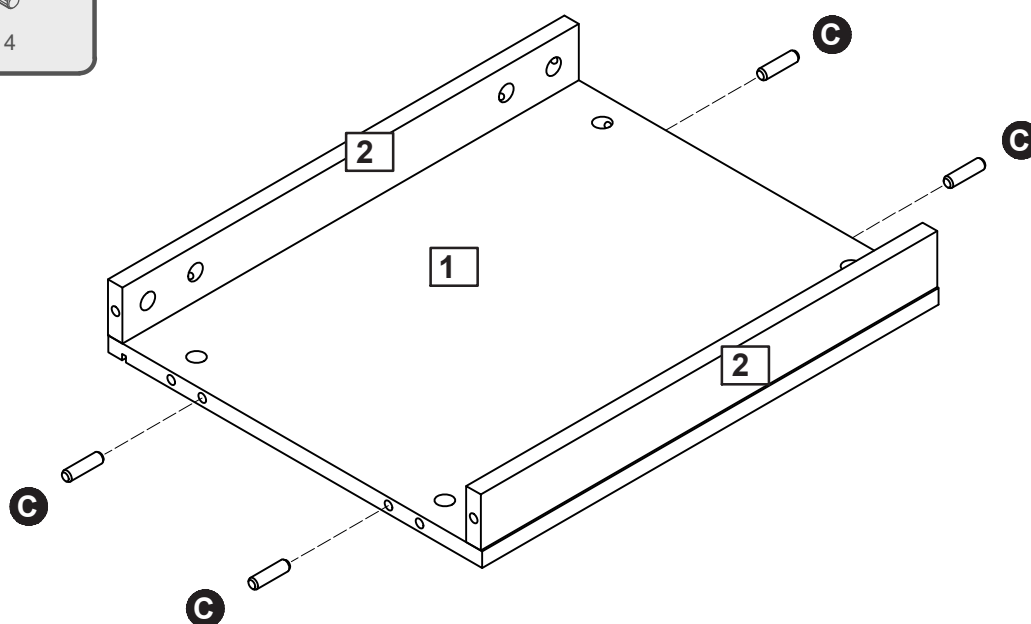
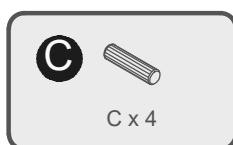


# Assembly Instructions

## Step 3



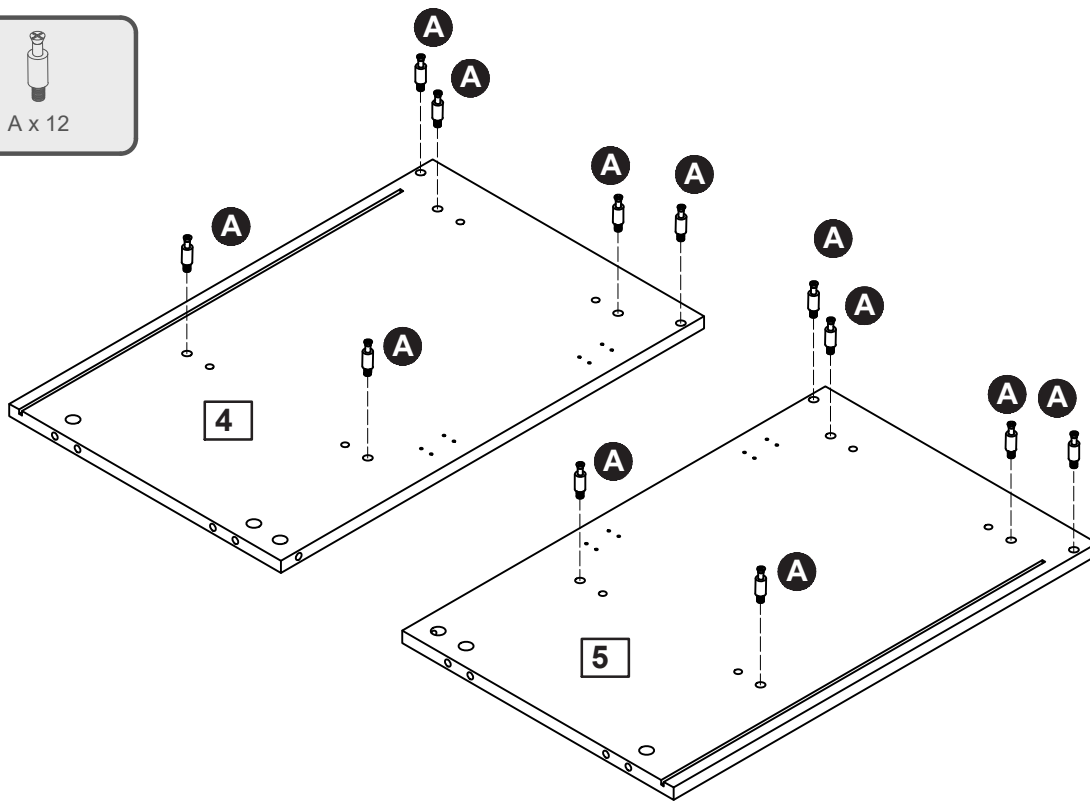
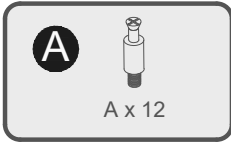
## Step 4



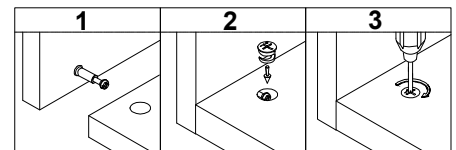
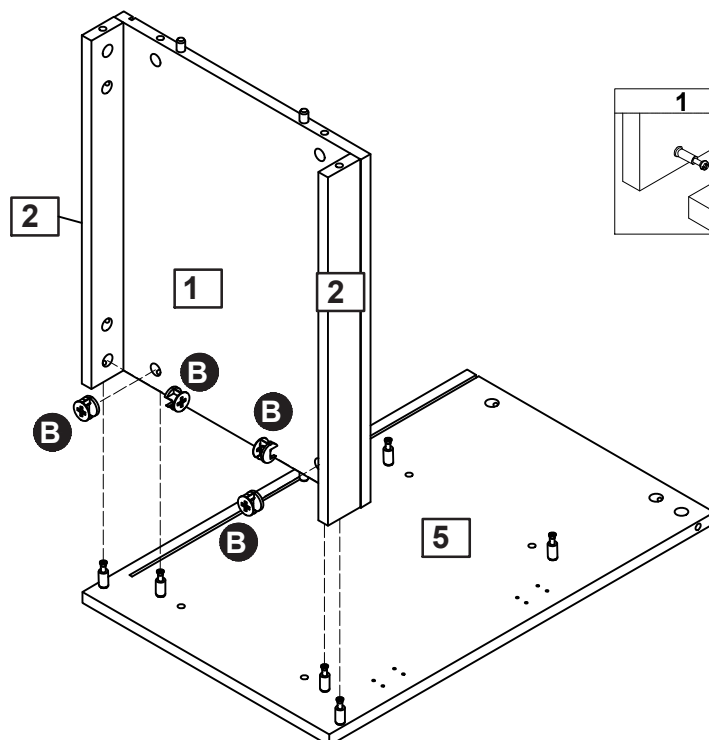


# Assembly Instructions

## Step 5

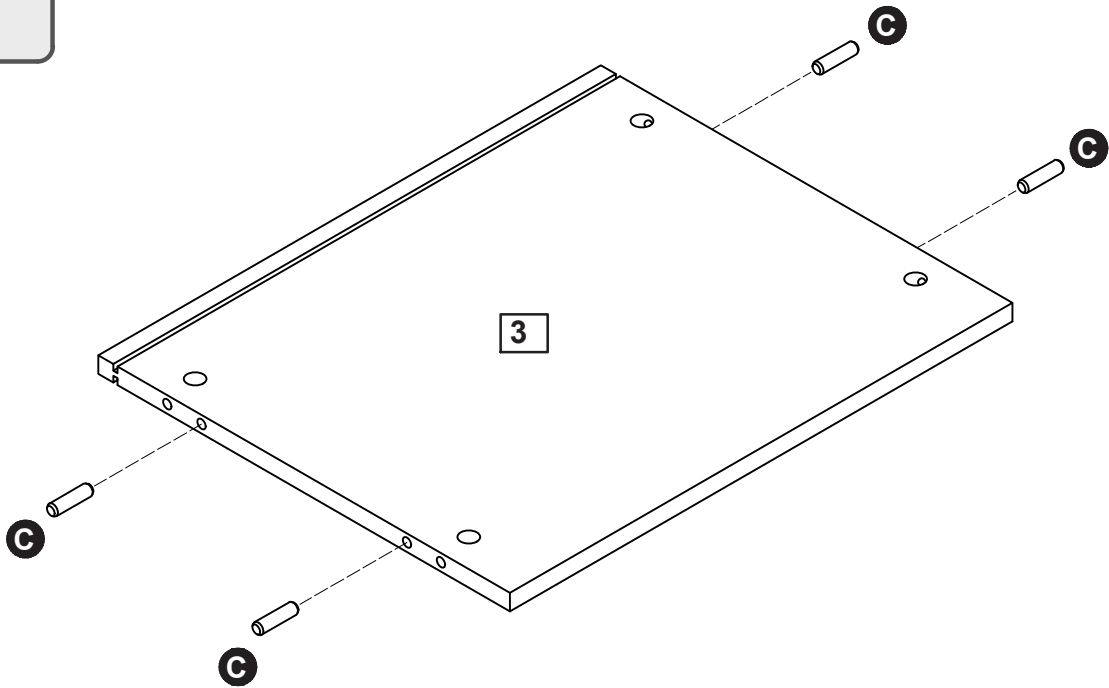
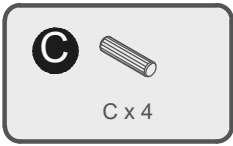


## Step 6

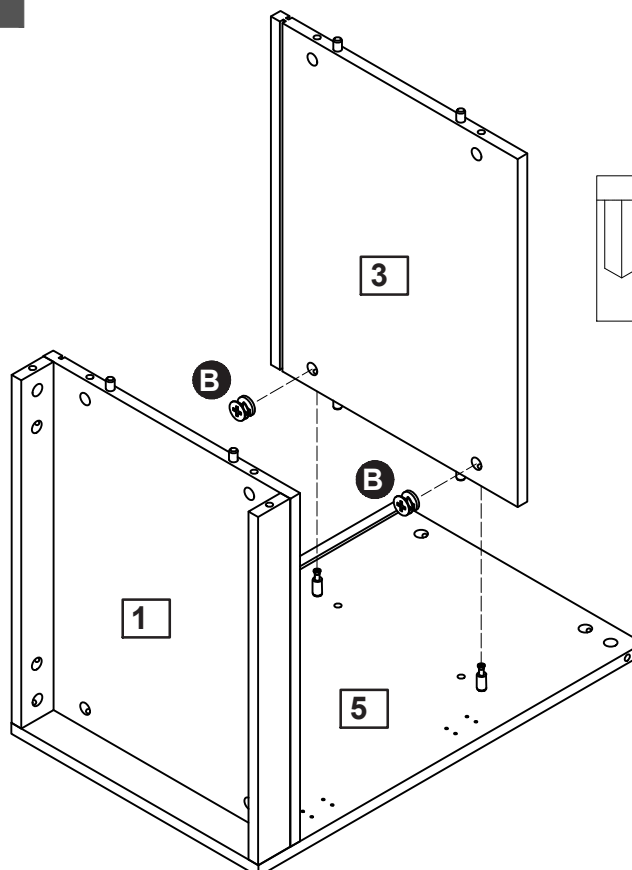
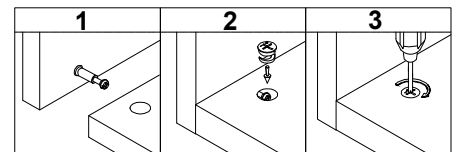


# Assembly Instructions

## Step 7

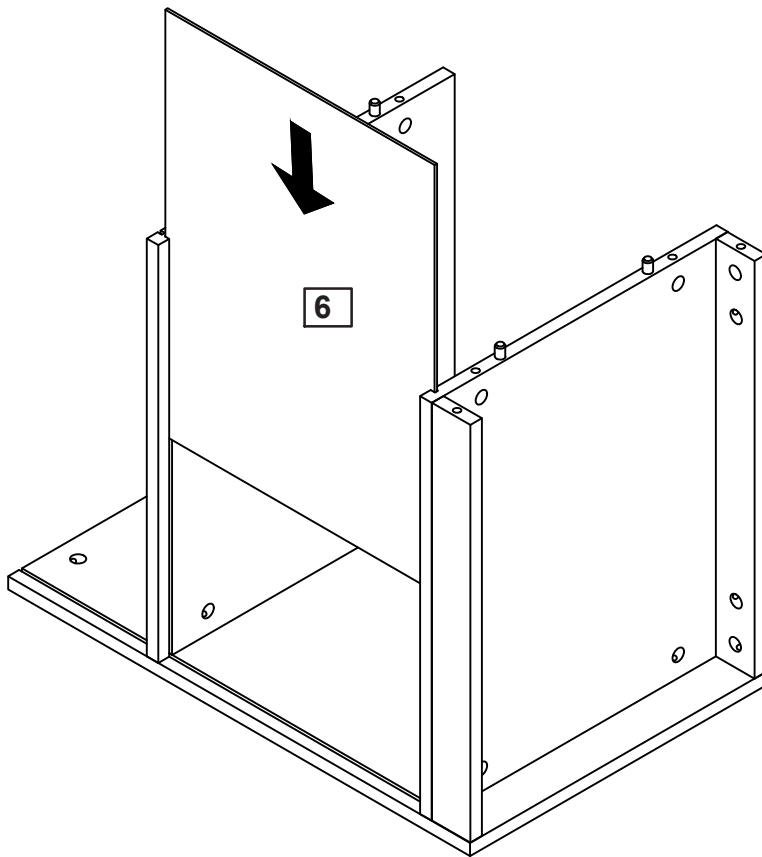


## Step 8

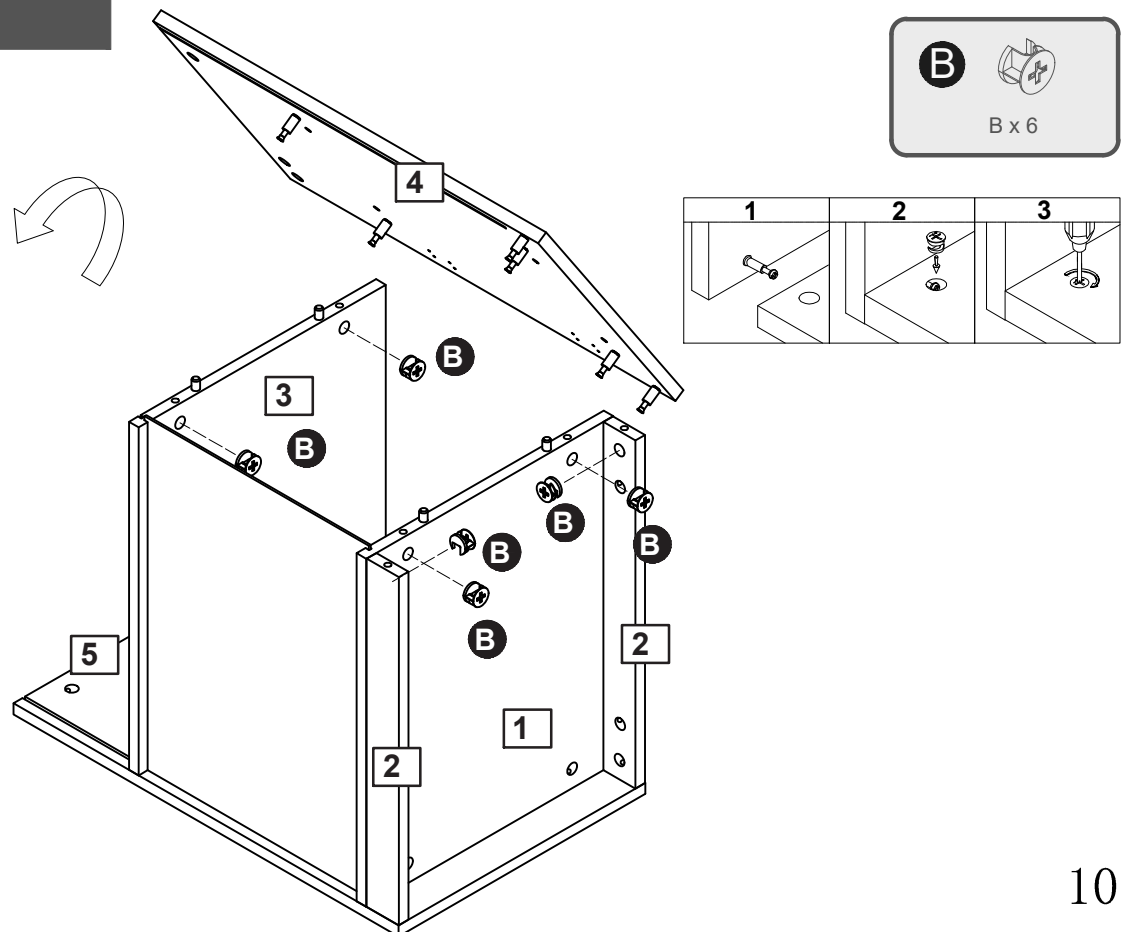


# Assembly Instructions

## Step 9

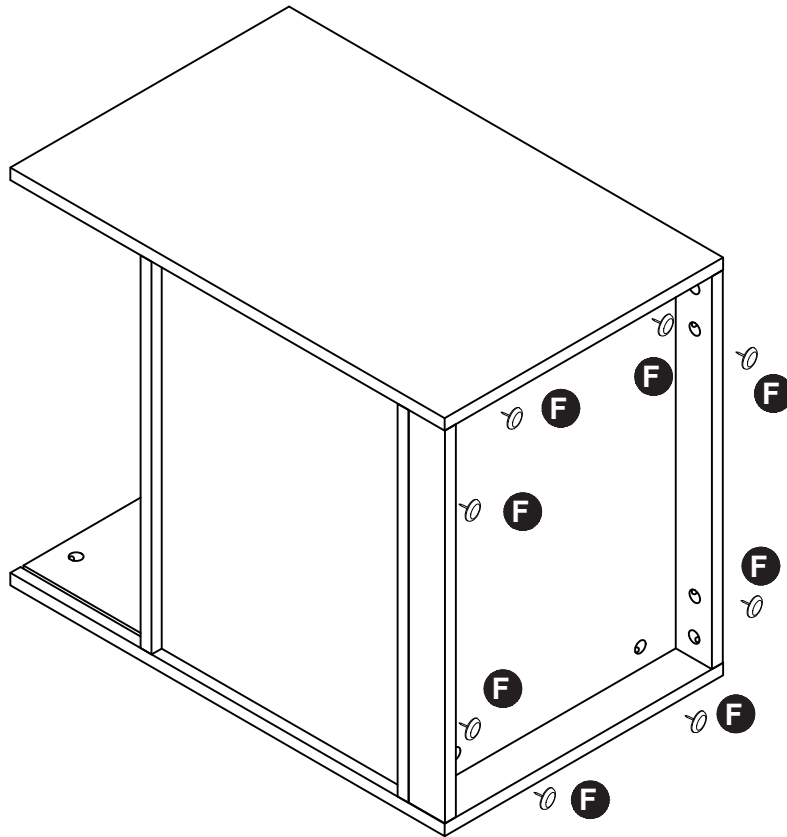


## Step 10

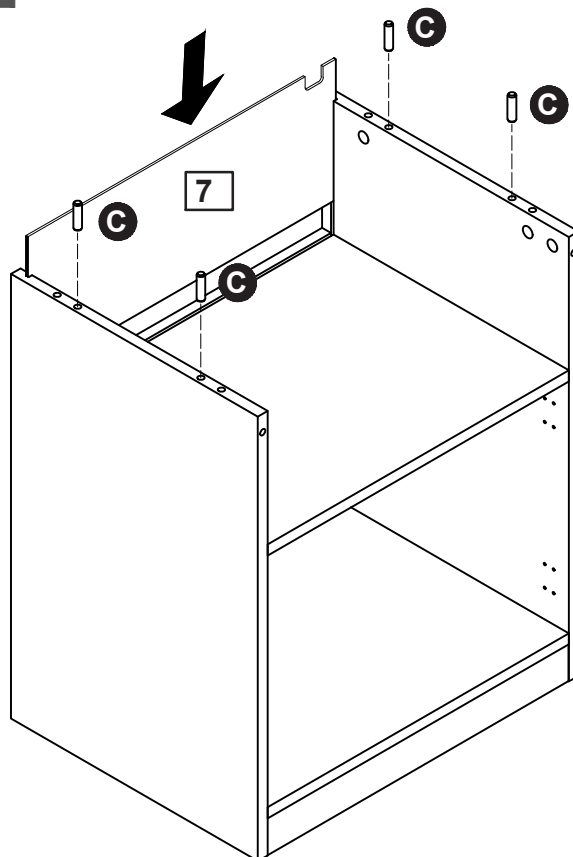
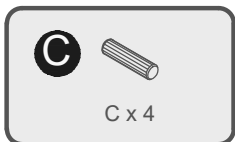


# Assembly Instructions

## Step 11



## Step 12



# Assembly Instructions

## Step 13

A

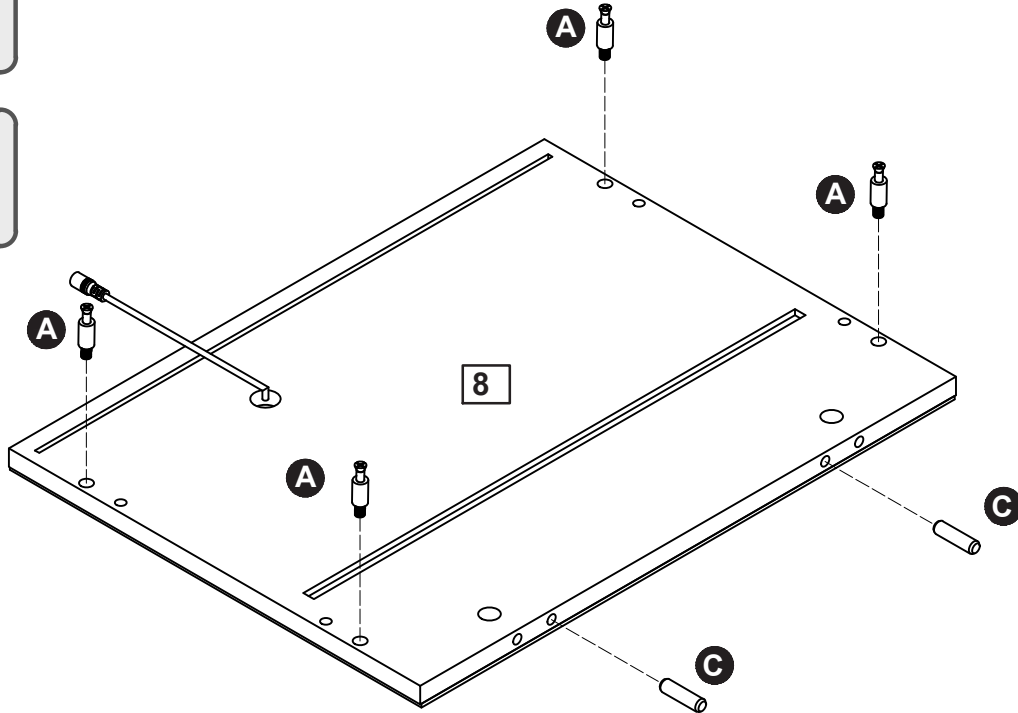


A x 4

C

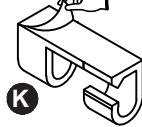


C x 2



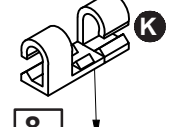
## Step 14

1.



K

2.



8

J



J x 1

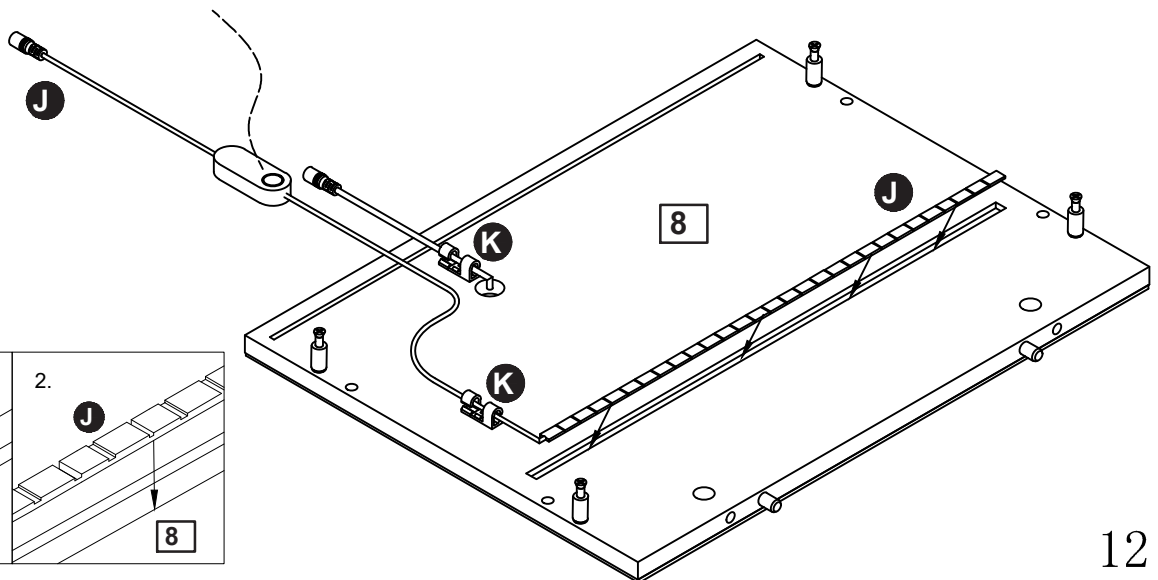
K



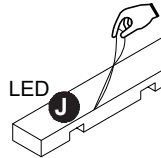
K x 2

### LED strip control:

1. Long press = Turn off
2. Short press = Change color/ turn on (when it's off)



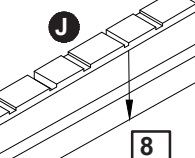
1.



LED

J

2.

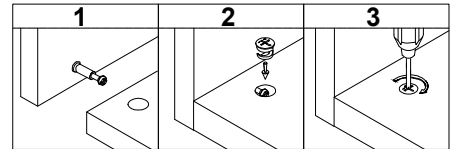
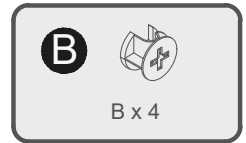
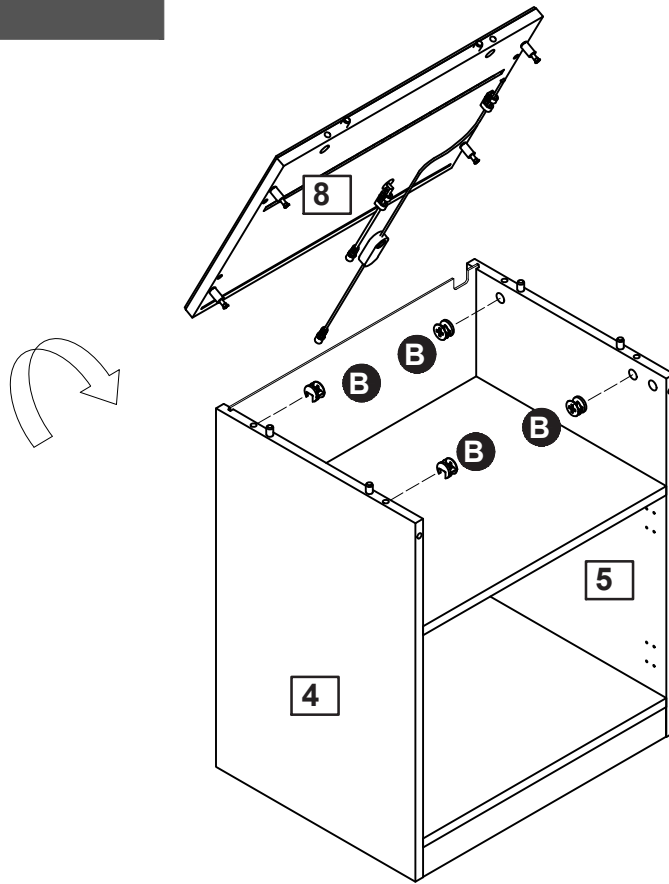


J

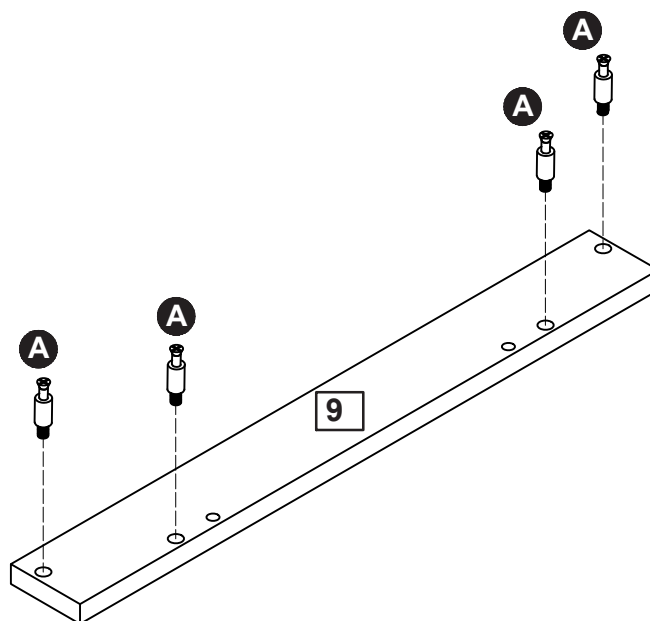
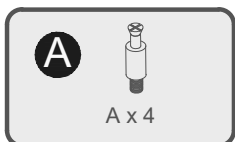
8

# Assembly Instructions

## Step 15

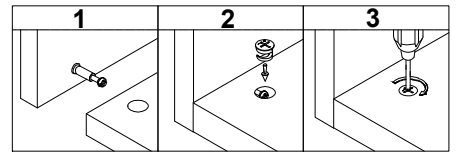
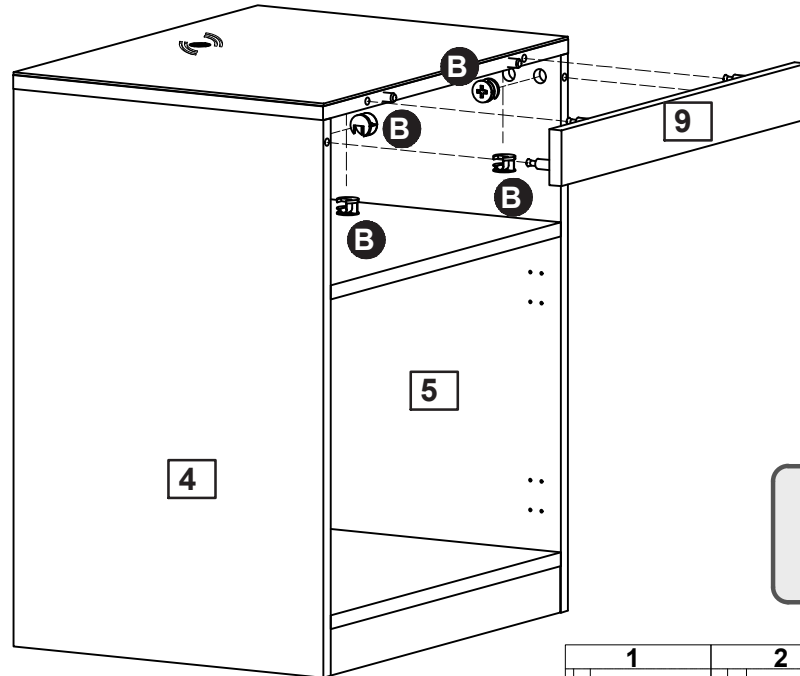


## Step 16

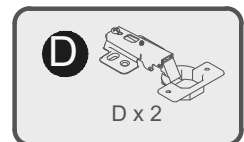
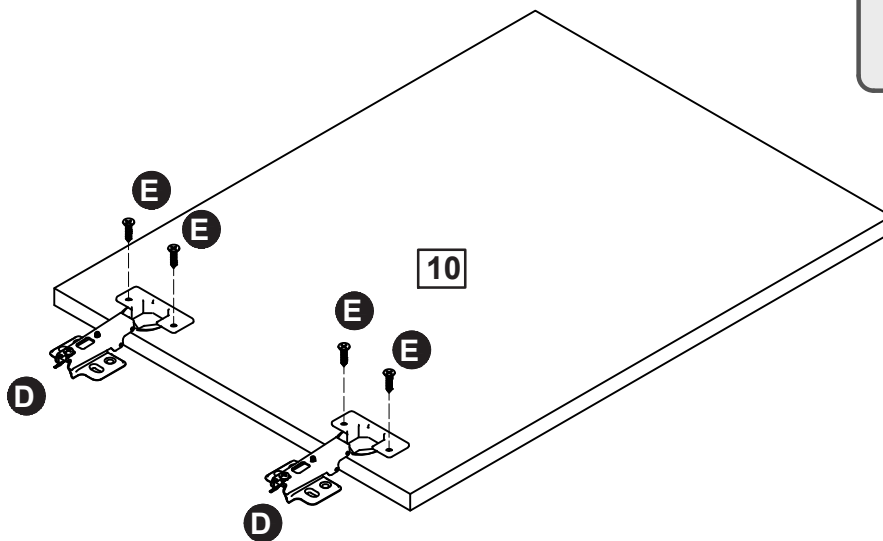


# Assembly Instructions

## Step 17

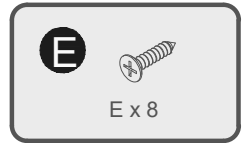


## Step 18

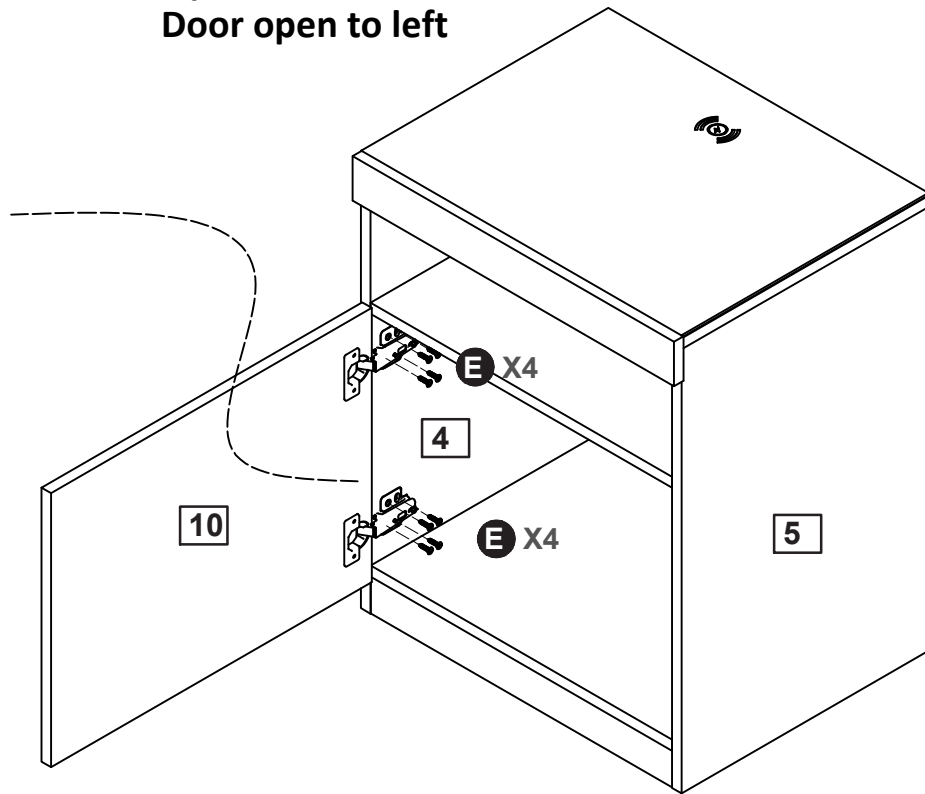
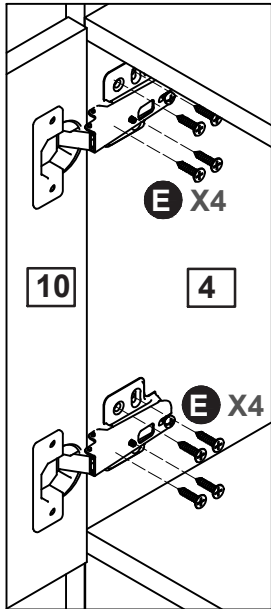


# Assembly Instructions

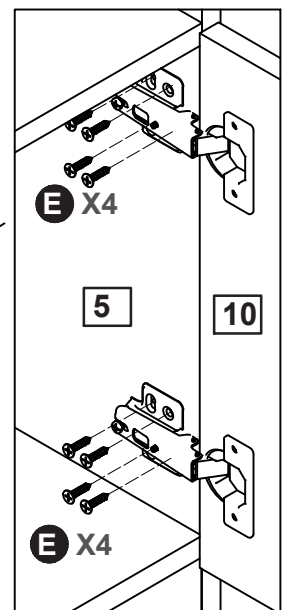
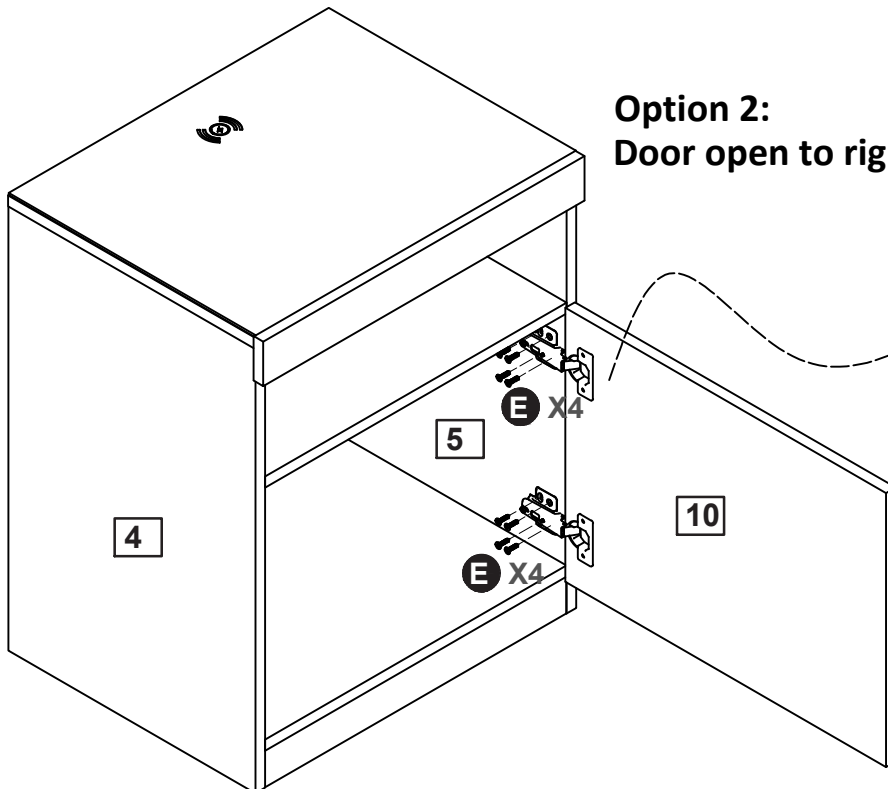
## Step 19



### Option 1: Door open to left



### Option 2: Door open to right

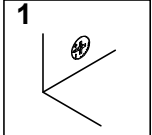
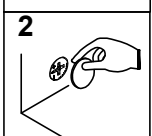
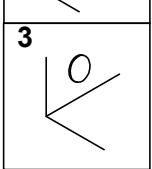


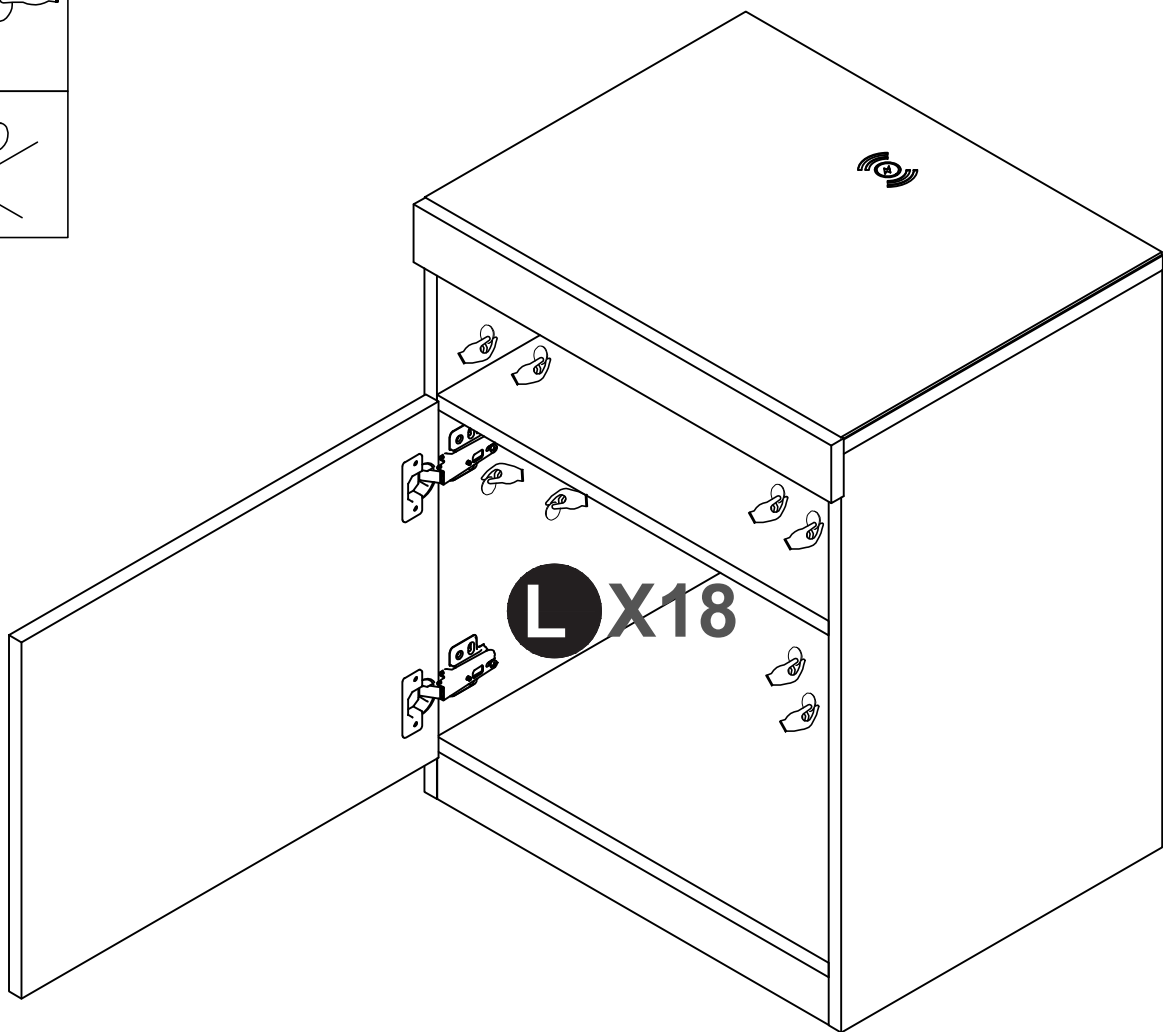


# Assembly Instructions

## Step 20

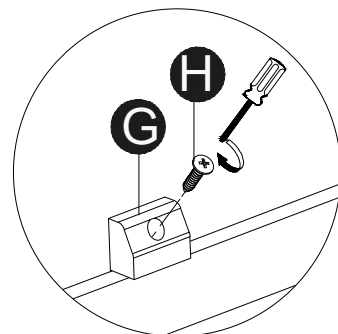
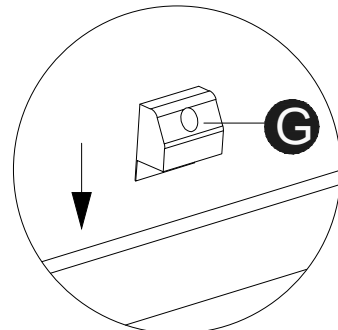
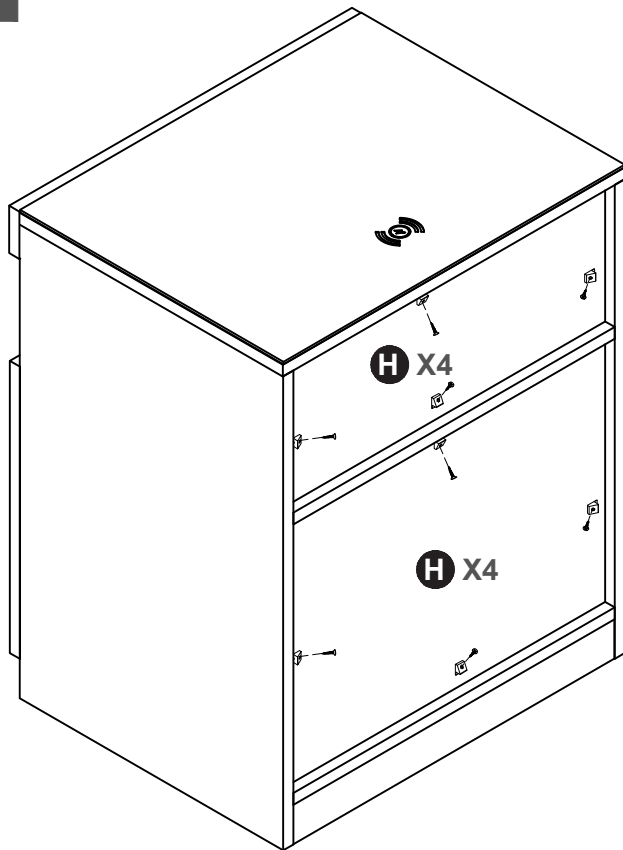


- 
- 
- 

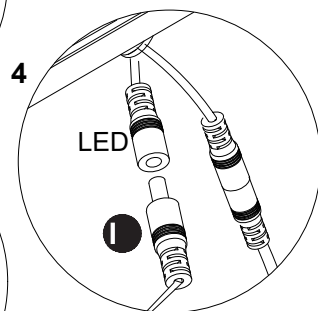
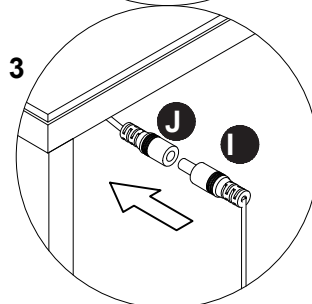
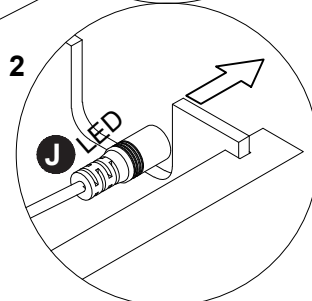
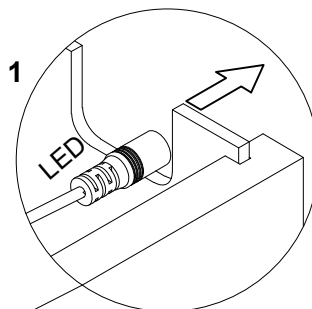
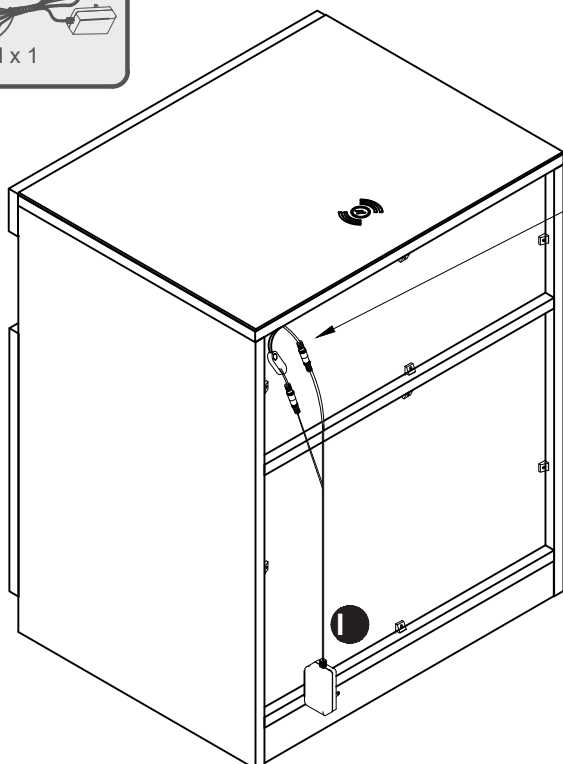
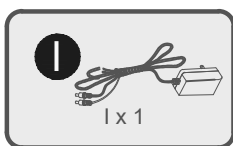


# Assembly Instructions

## Step 21

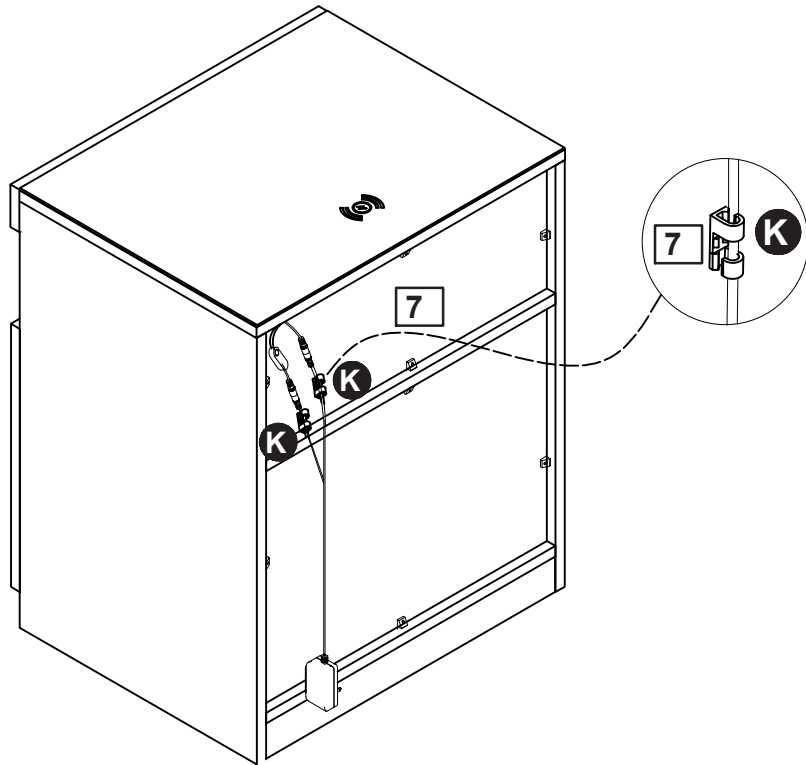
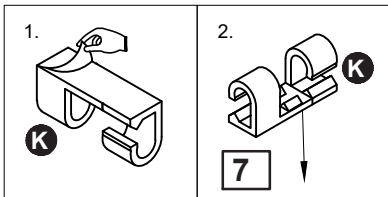
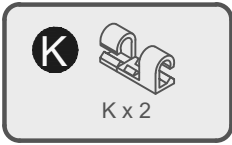


## Step 22



# Assembly Instructions

## Step 23



## Step 24



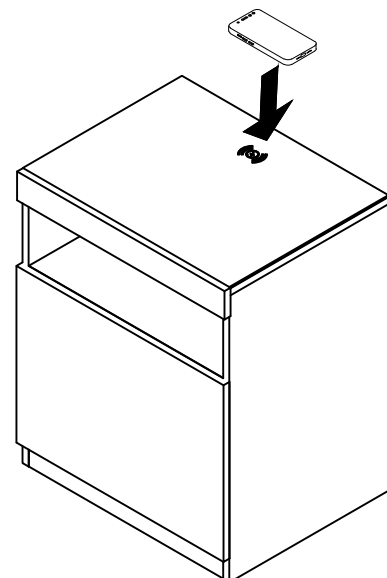
Case-Friendly Up to 4mm  
Designed to charge through protective cases that are less than 4mm thick.



The mobile phone sensor needs to face the center point of the panel, and there must be no foreign objects blocking it.

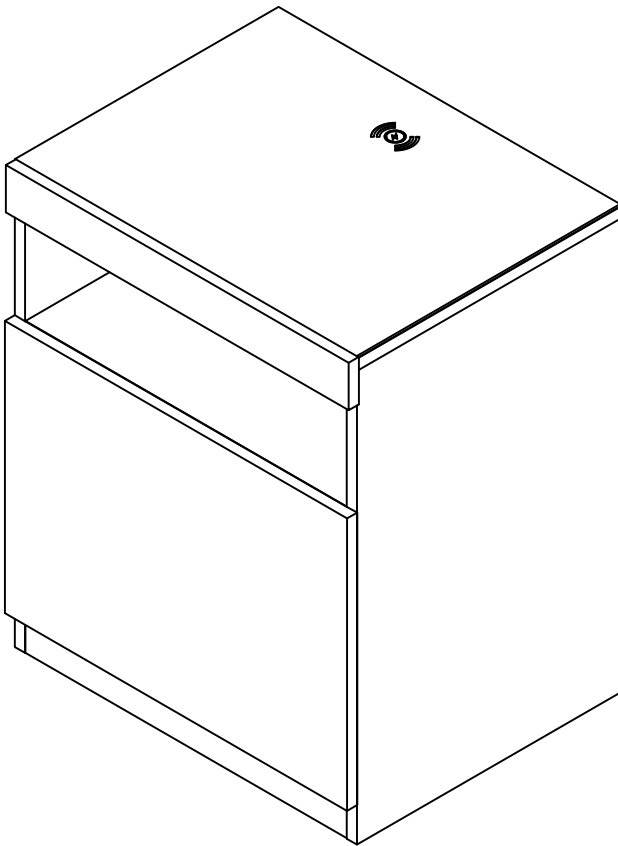


The wireless charging only supports the charging of mobile phones with built-in wireless charging function.



# Assembly Instructions

## Step 25

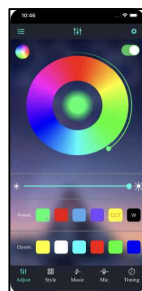


LED mobile phone Bluetooth controller  
For details, please see the  
attached below manual

### LED mobile phone Bluetooth controller

Scan QR code download APP

1. Connect LED color strip and controller,  
power on controller
2. Scan QR code download APP:



3. Start APP, search and connect controller
4. Enjoy the Bluetooth wireless control experience

### LED mobile phone Bluetooth controller

#### Product Features

.LED Bluetooth controller is directly via mobile phone control  
remote distance can reach 10m without the need to set up, easy to  
connect open the software within 5 seconds you can automatically  
connect the controller

.Flow the rhythm of the music changes

.Group control

.Brightness, speed addition and subtraction

.Maximum can be 5 meters RGB(W) strip

.The software shows that the text is based on the language of the  
mobile phone set up automatic transformation of Chinese and  
English

#### Animation Effect:

.Colorful gradient

.All kinds of monochrome , double color gradient

.All kinds of monochrome, double color , colorfull flashing

.Colorful jump

.Follow the thymhm of the music chagnes

#### Product Paramters:

.Bluetooth: BLE V4 .2

.Input Voltage: 4.5-26V

.Working Temp: -25- 75°C

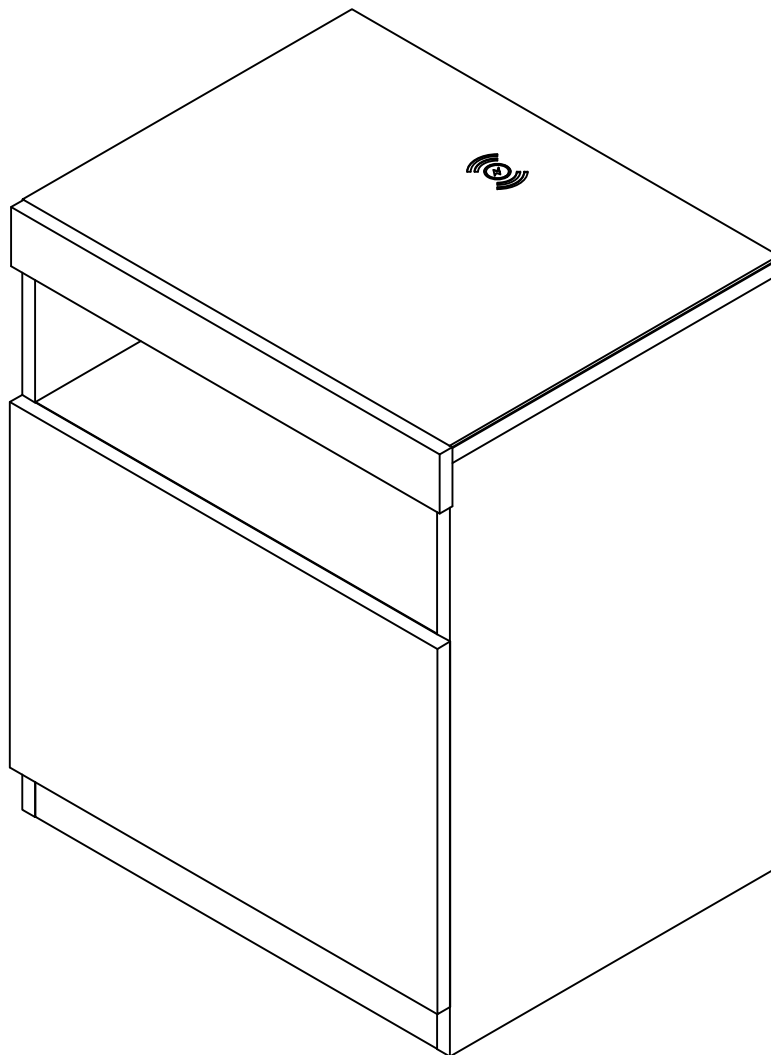
.Size: 43\*22 \*11mm

.Weight: 30g

.Max Power : 144W(24V)

# Assembly Instructions

## Step 26



Assembly is complete.