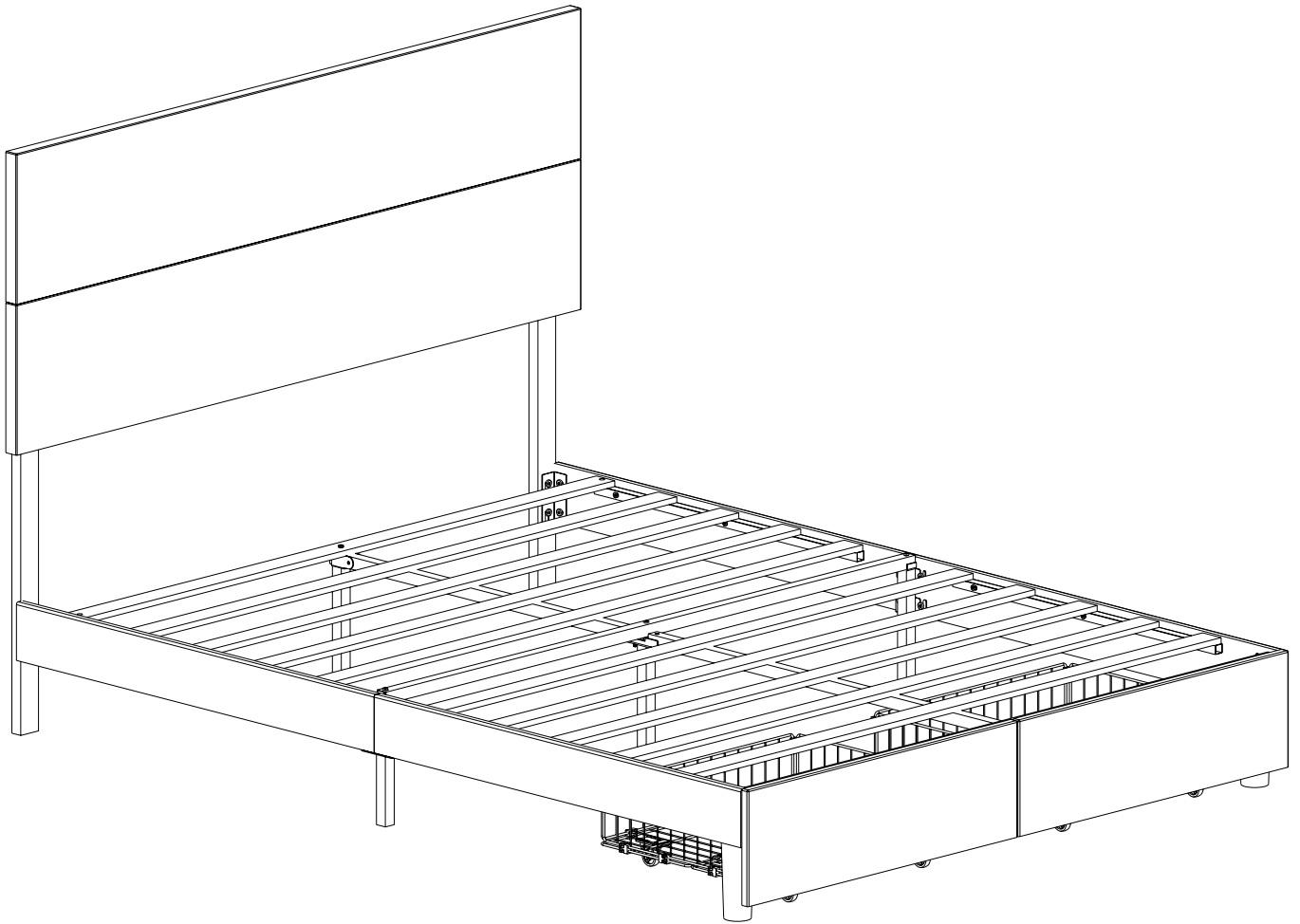


Upholstered Bed



Friendly Customer Service

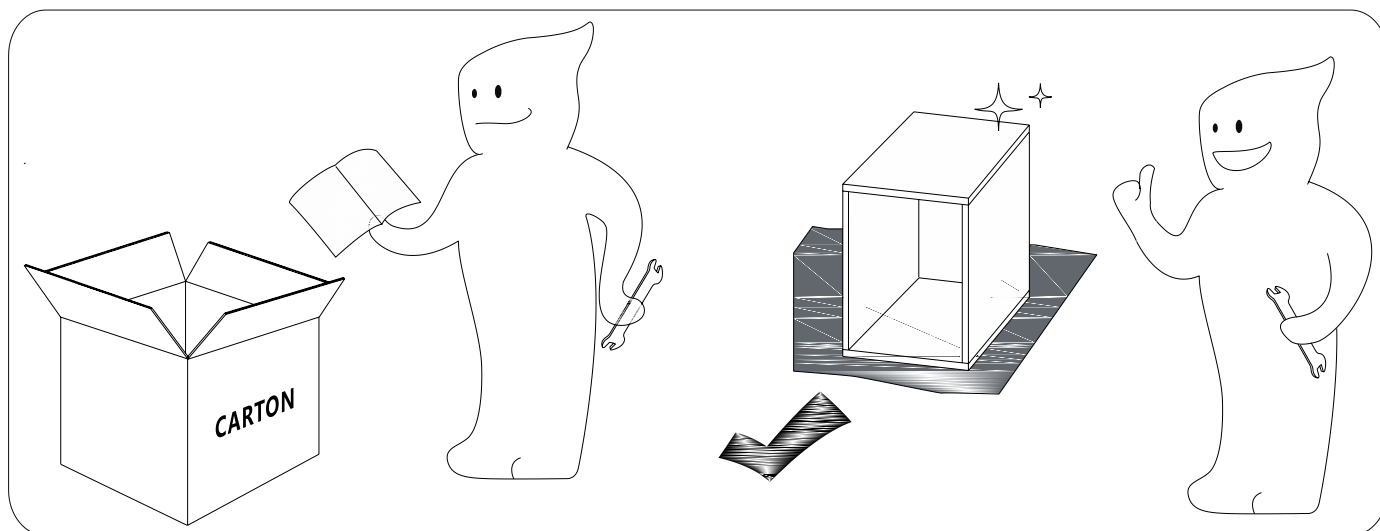
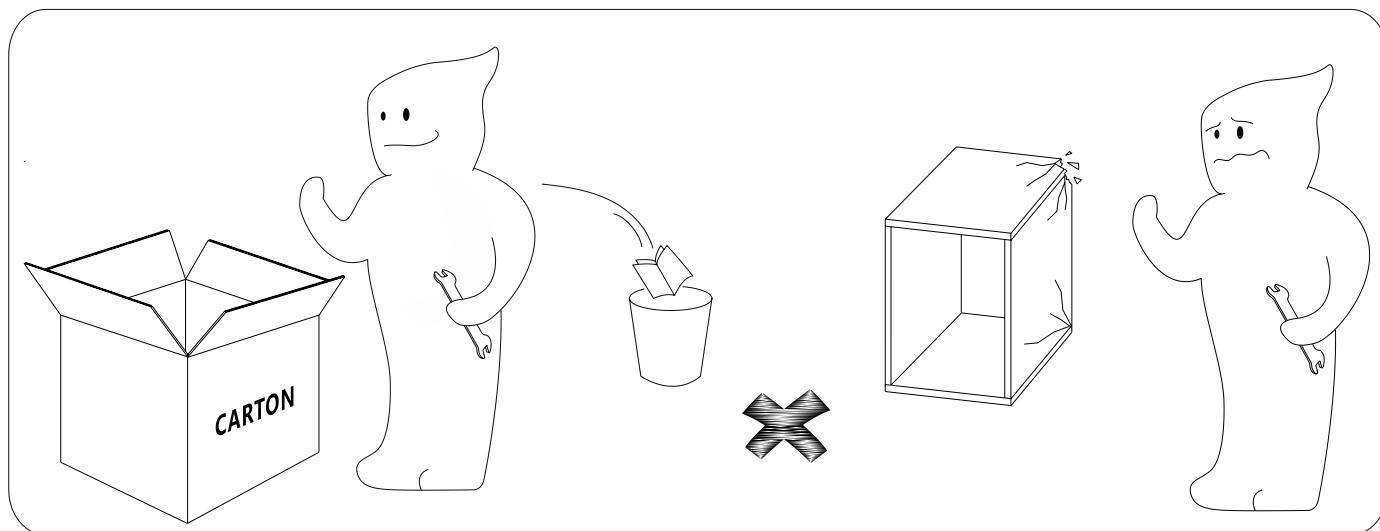
Satisfaction Guarantees: Any problems with assembly, quality, or return, please feel free to contact us directly.

Contact us

Phone: +1 (901) 347-2181 (US) Mon-Fri 9am - 5pm (PST)
E-Mail: cs@howedirect.com (Get efficient feedback within 12 hours)

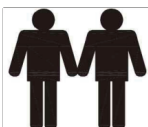
! IMPORTANT

Please follow the instruction manuals and use a pad to protect the product during your assembly.



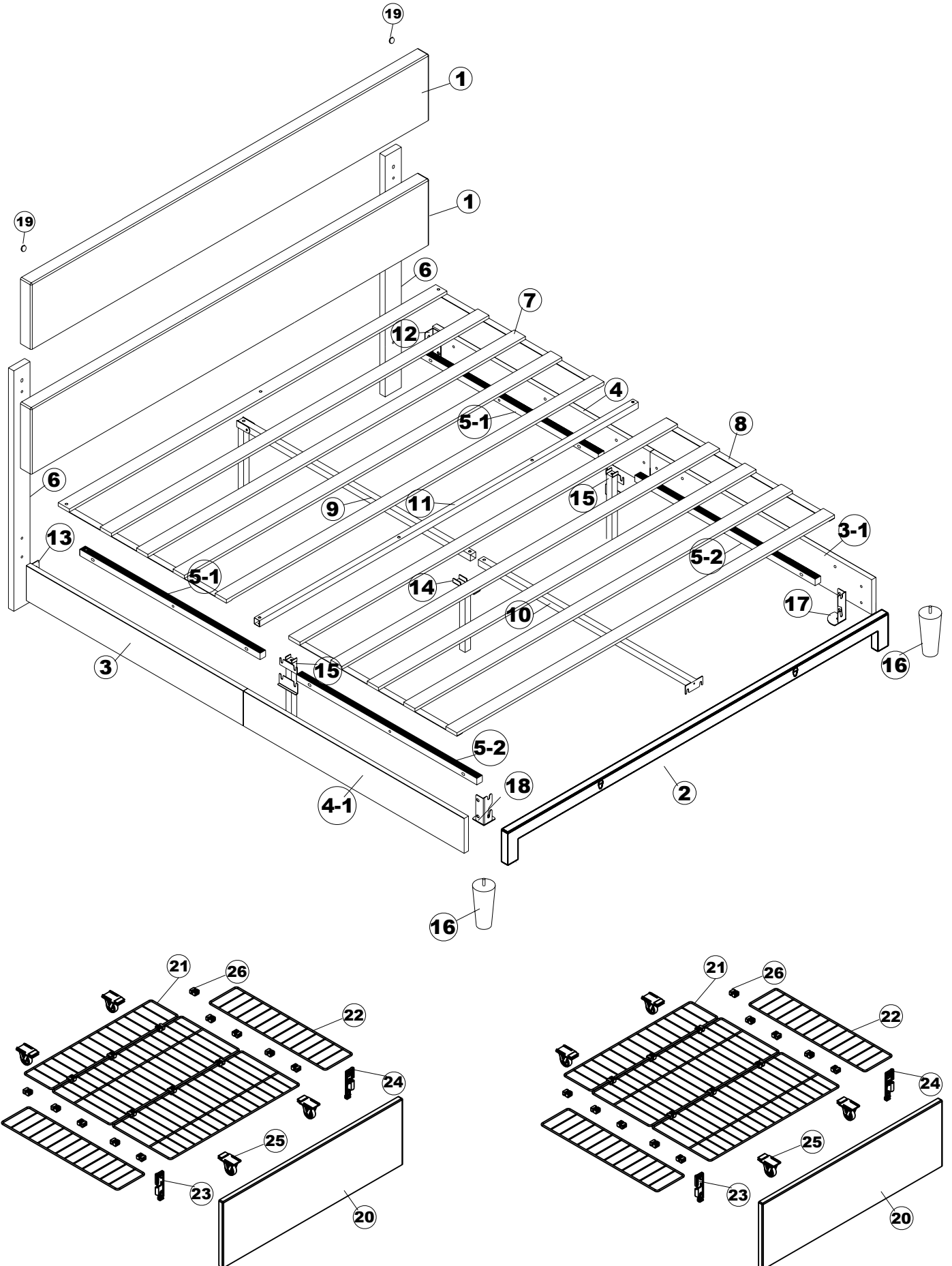
Note:

- 1. Should be assembled on flat ground to keep balance.**
- 2. Before completing the installation, do not tighten the screws.**



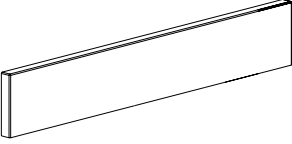
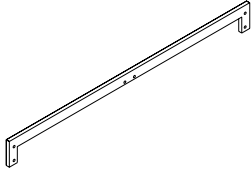
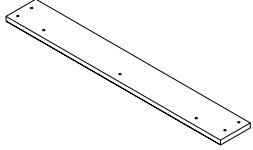
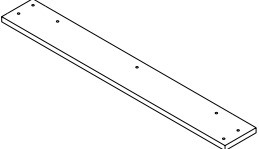
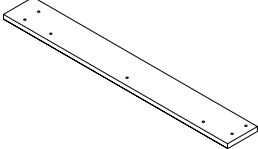
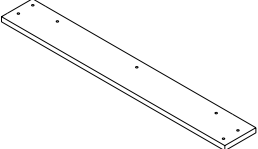
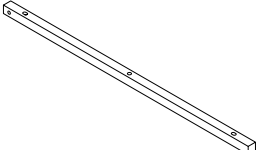
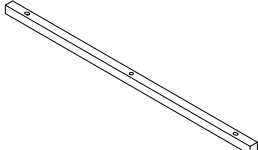
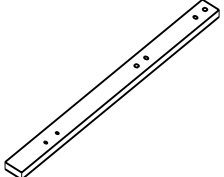
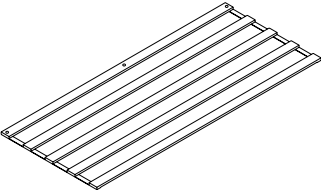
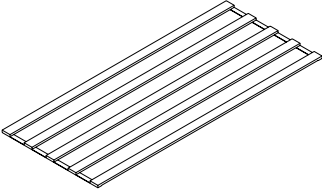

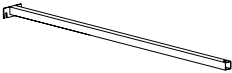
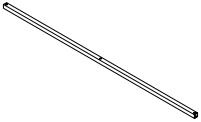
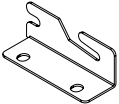
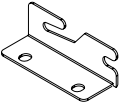
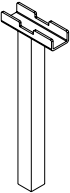
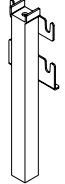

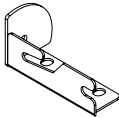
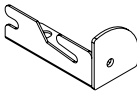
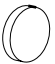
For easier and better assembly, **2** or more adults are required.

ASSEMBLY INSTRUCTIONS



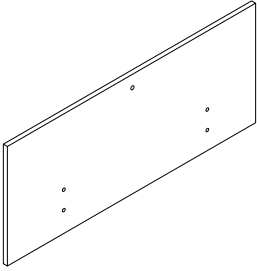
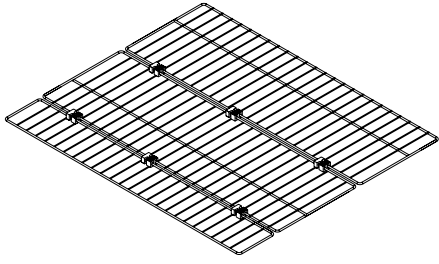
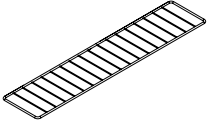
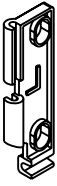

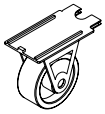
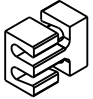
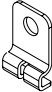
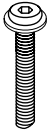
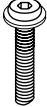
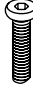



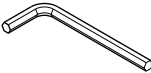
ASSEMBLY INSTRUCTIONS

PARTS LIST

1  2pcs	2  1pc	3  1pc			
4  1pc	3-1  1pc	4-1  1pc			
5-1  2pcs	5-2  2pcs	6  2pcs			
7  1pc	8  1pc	9  1pc			
10  1pc	11  1pc	12  1pc	13  1pc		
14  1pc	15  2pcs	16  2pcs	17  1pc	18  1pc	19  2pcs

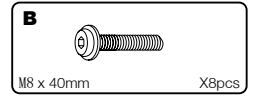
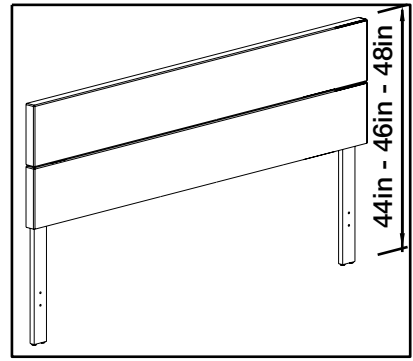
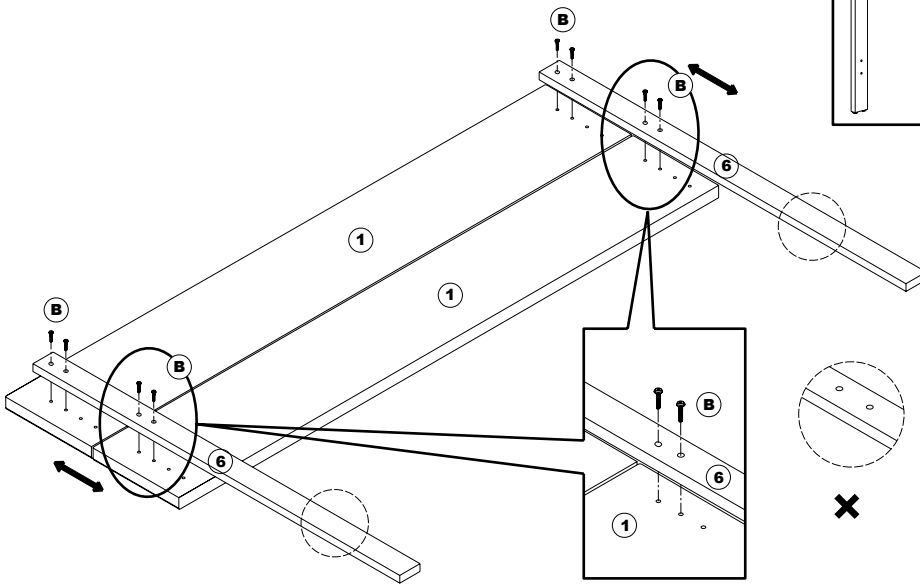
ASSEMBLY INSTRUCTIONS

PARTS LIST

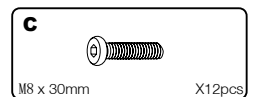
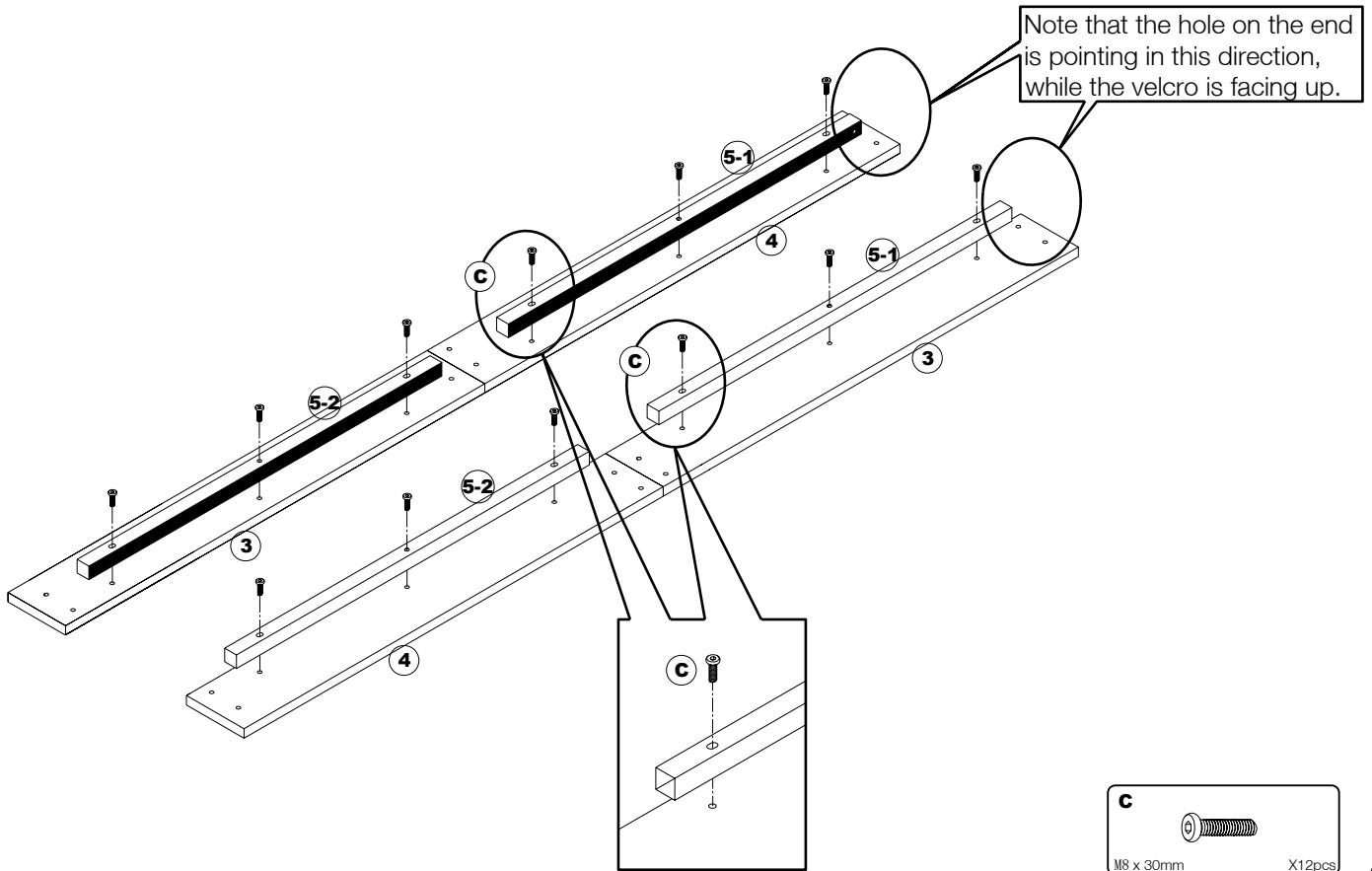
<p>20</p>  <p>2pcs</p>	<p>21</p>  <p>2pcs</p>		
<p>22</p>  <p>4pcs</p>	<p>23</p>  <p>2pcs</p>	<p>24</p>  <p>2pcs</p>	<p>25</p>  <p>8pcs</p>
<p>26</p>  <p>20pcs</p>	<p>27</p>  <p>2pcs</p>		
<p>A</p>  <p>M8x50</p> <p>2pcs</p>	<p>B</p>  <p>M8x40</p> <p>12pcs</p>	<p>C</p>  <p>M8x30</p> <p>12pcs</p>	<p>D</p>  <p>M8x15</p> <p>36pcs</p>
<p>E</p>  <p>M6x25</p> <p>2pcs</p>	<p>G</p>  <p>M8x13</p> <p>2pcs</p>	<p>F</p>  <p>M5 allen key</p> <p>1pc</p>	

ASSEMBLY INSTRUCTIONS

1

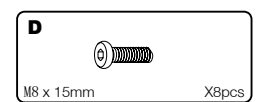
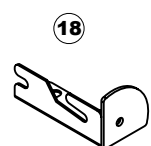
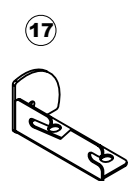
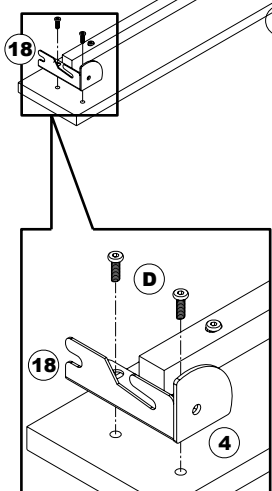
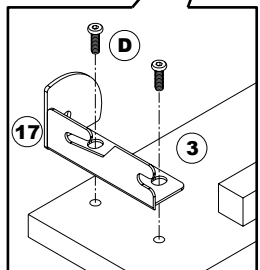
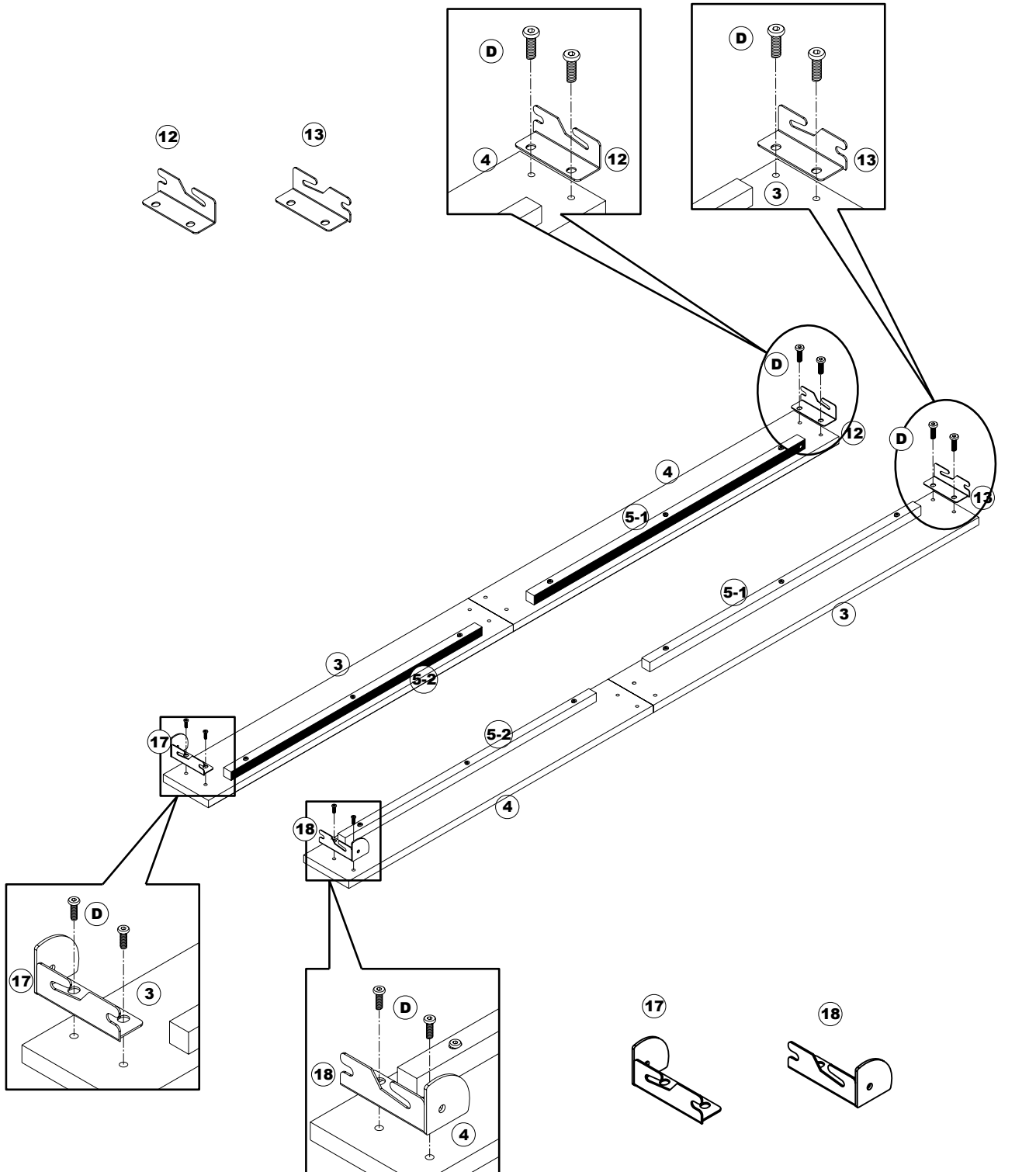


2



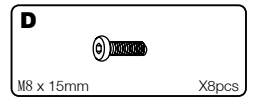
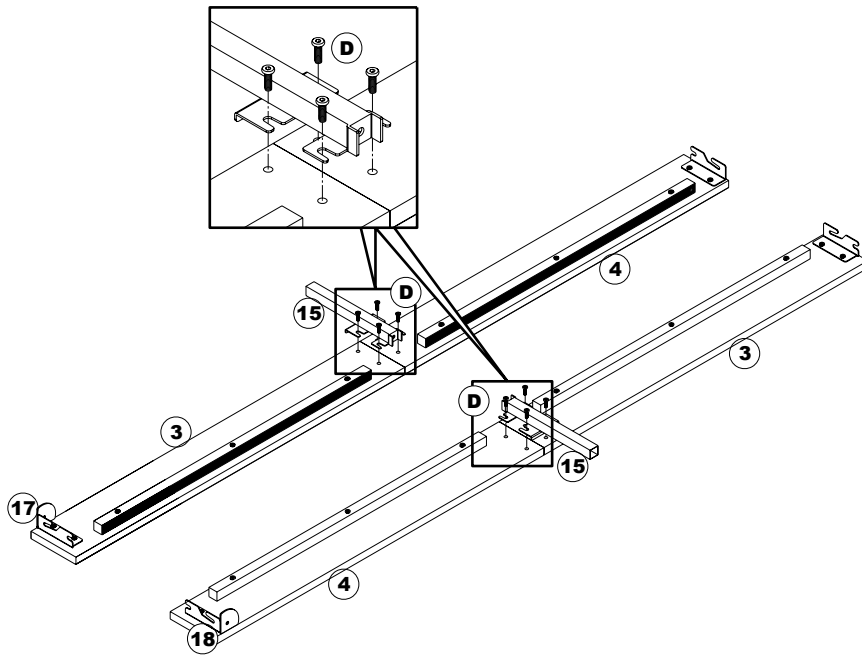
ASSEMBLY INSTRUCTIONS

3

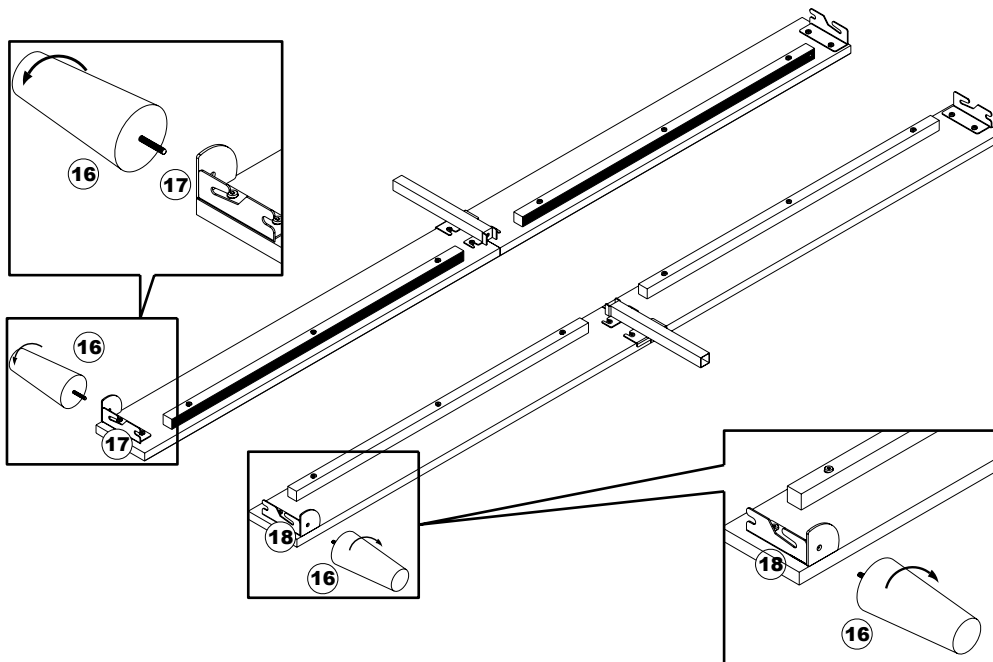


ASSEMBLY INSTRUCTIONS

4

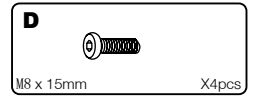
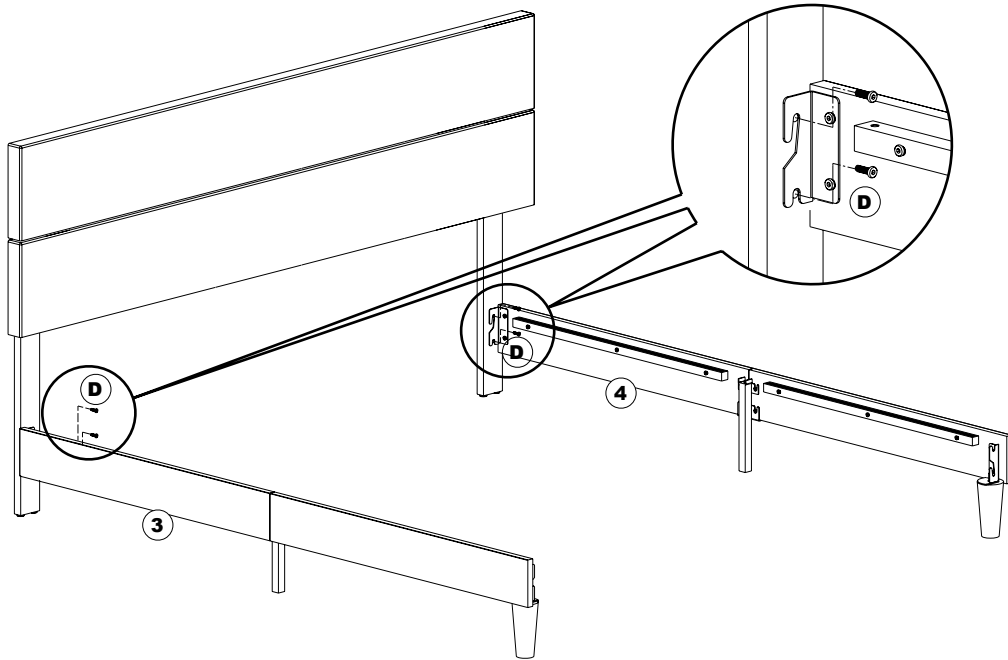


5

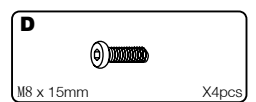
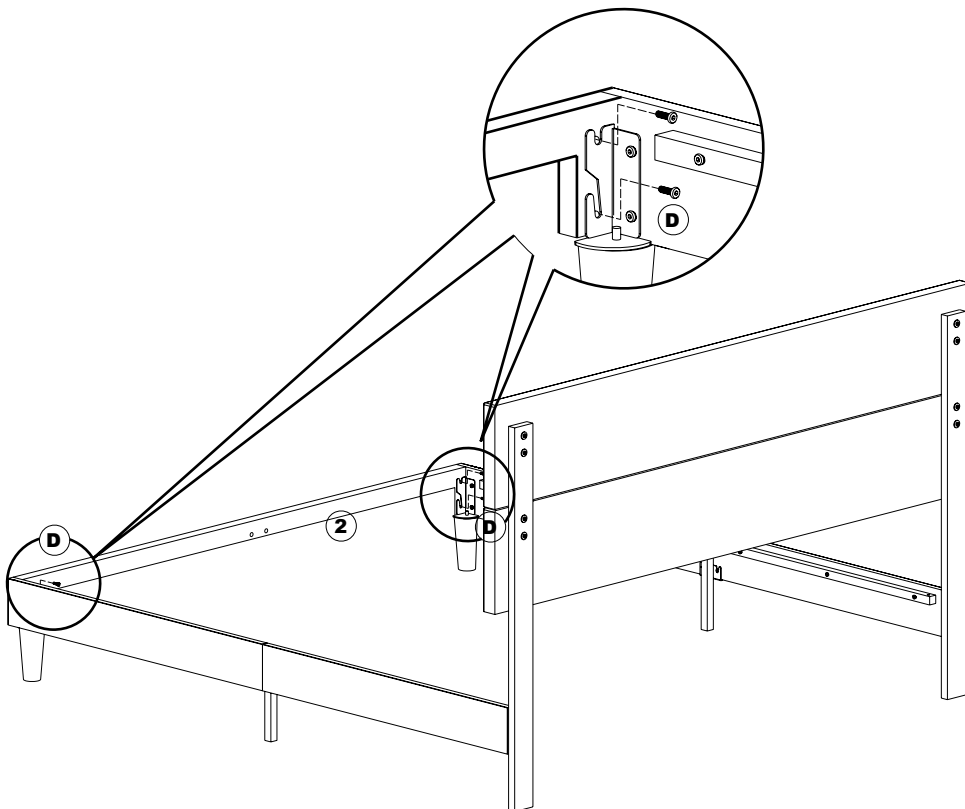


ASSEMBLY INSTRUCTIONS

6

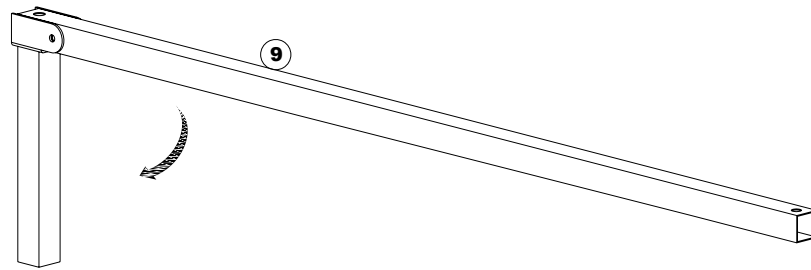


7

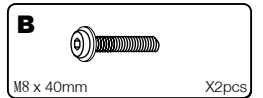
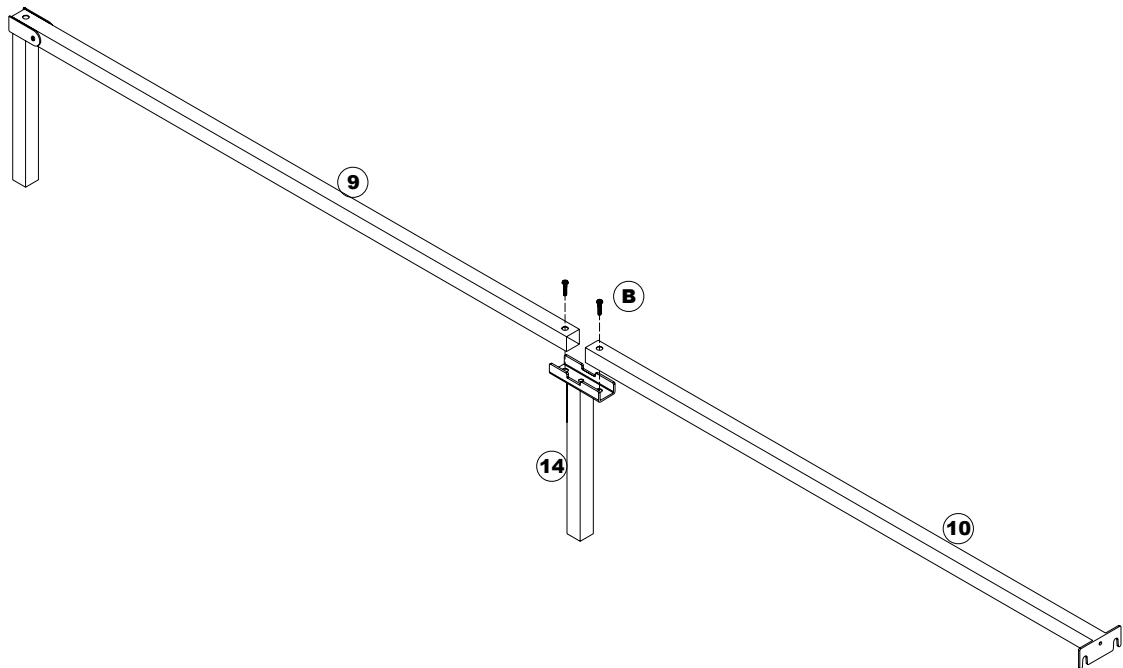


8

WARNING!
Moving parts can crush or cut.
Keep fingers, hands, and feet away to avoid injury.

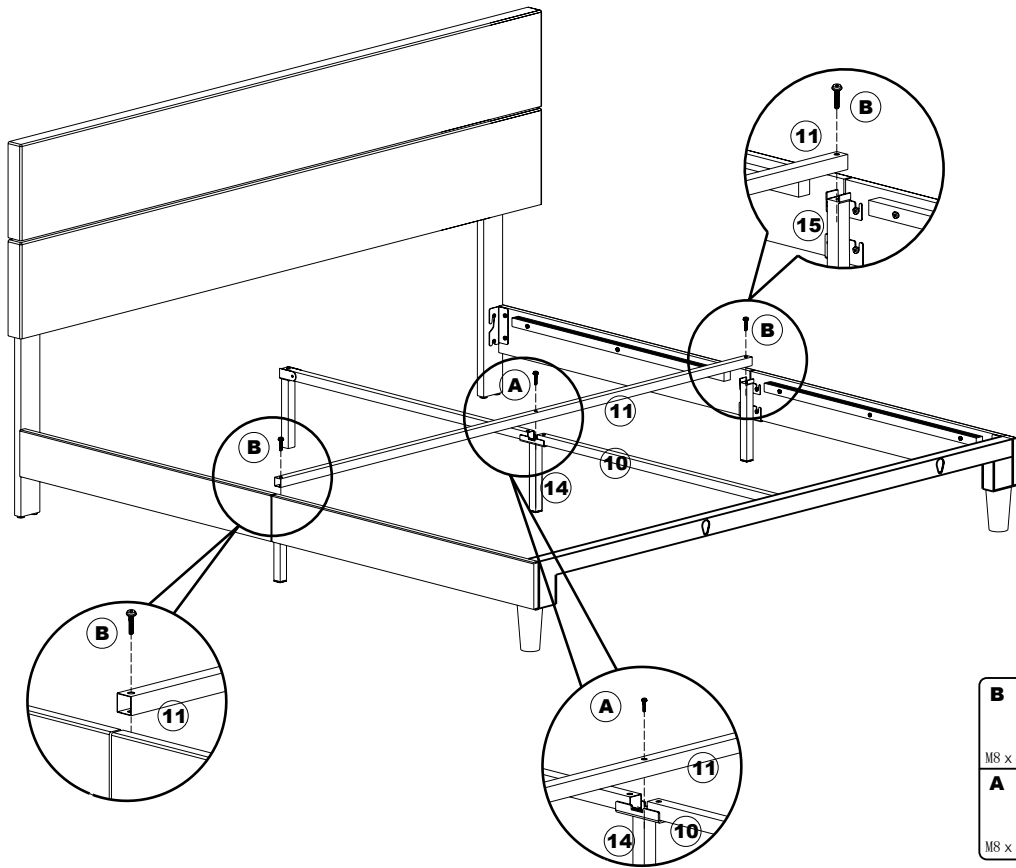




9



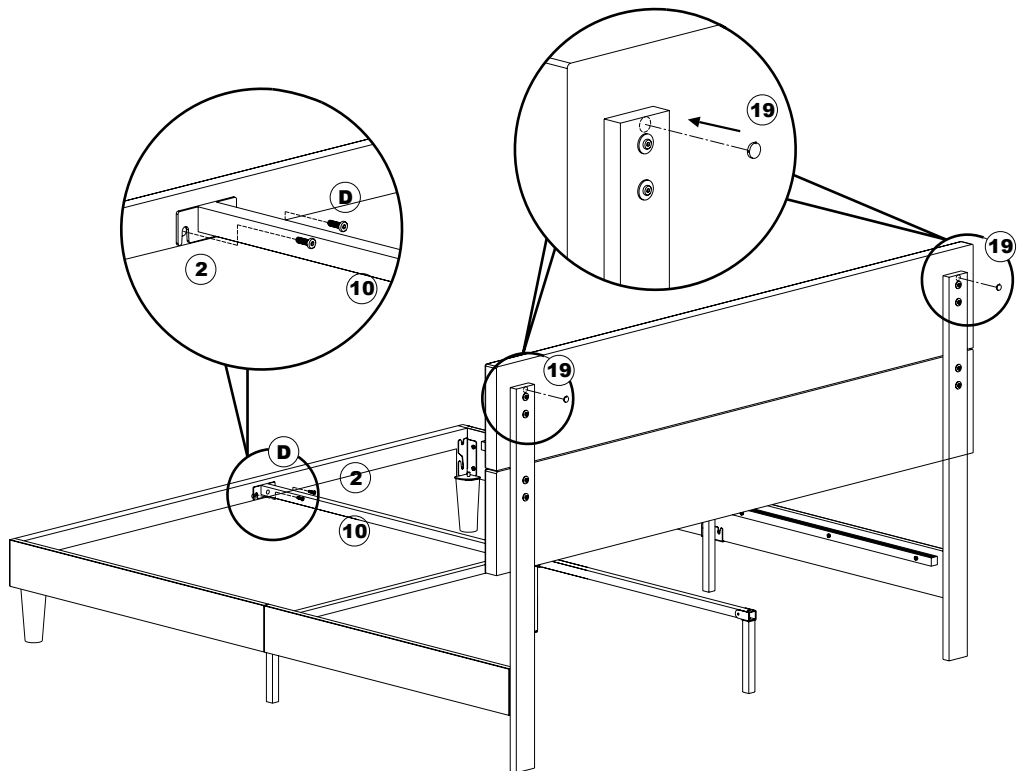
ASSEMBLY INSTRUCTIONS


10

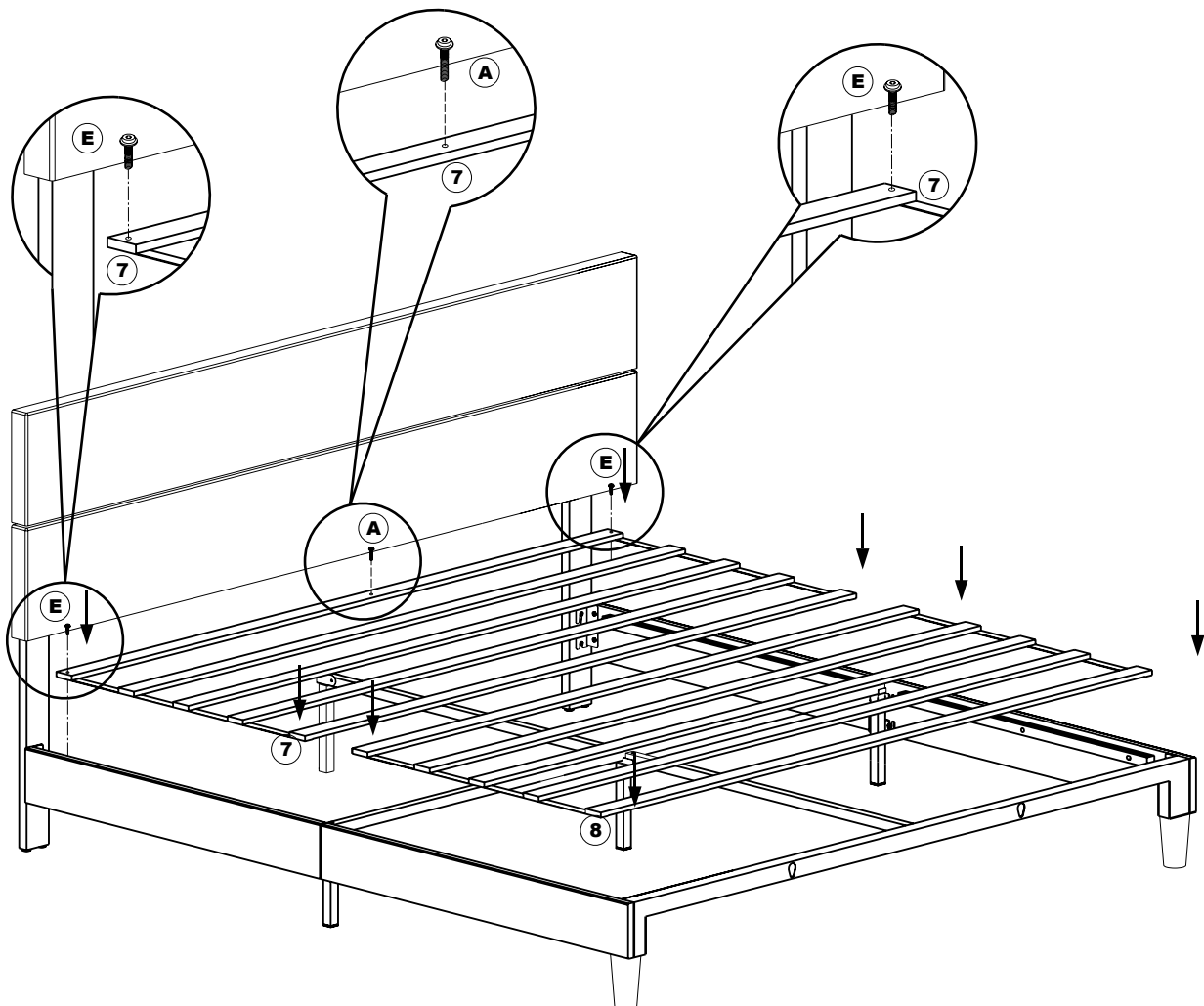
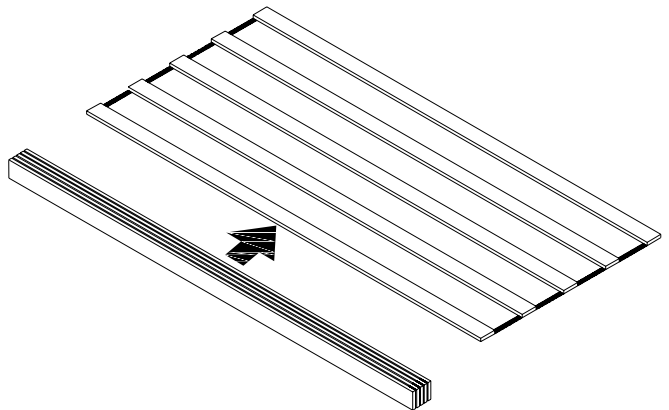




B		M8 x 40mm	X2pcs
A		M8 x 50mm	X1pc

11



D		M8 x 15mm	X2pcs
----------	---	-----------	-------

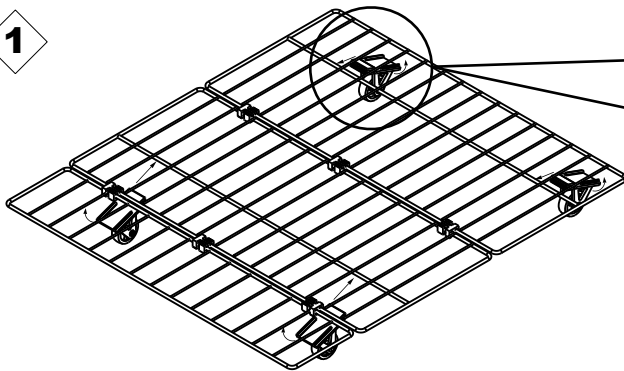


E		M6 x 25mm	X2pcs
A		M8 x 50mm	X1pc

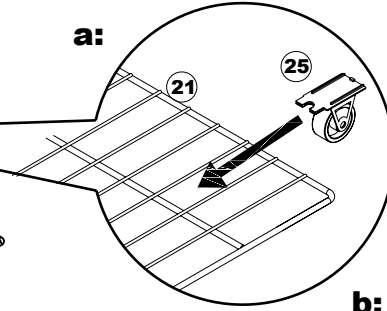
ASSEMBLY INSTRUCTIONS

13

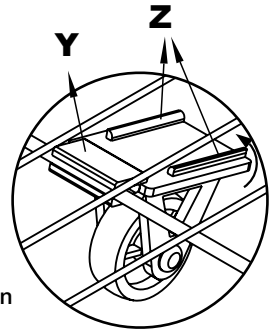
1



a:

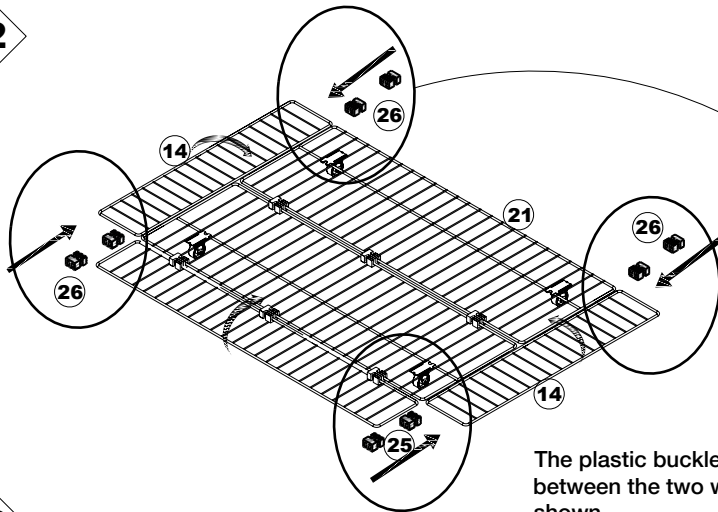


b:



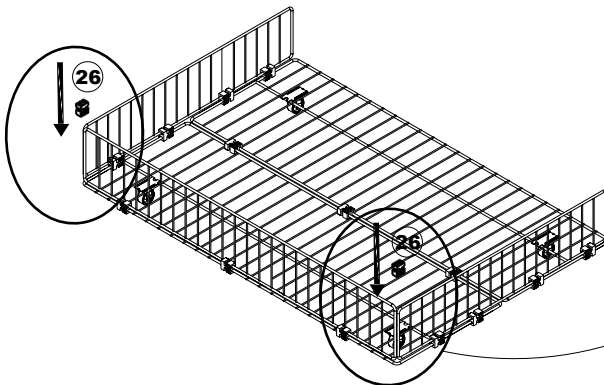
Lock the buckle (Y) on the wire first, and rotating the plastic buckle to lock two buckles (Z) on the wires.

2

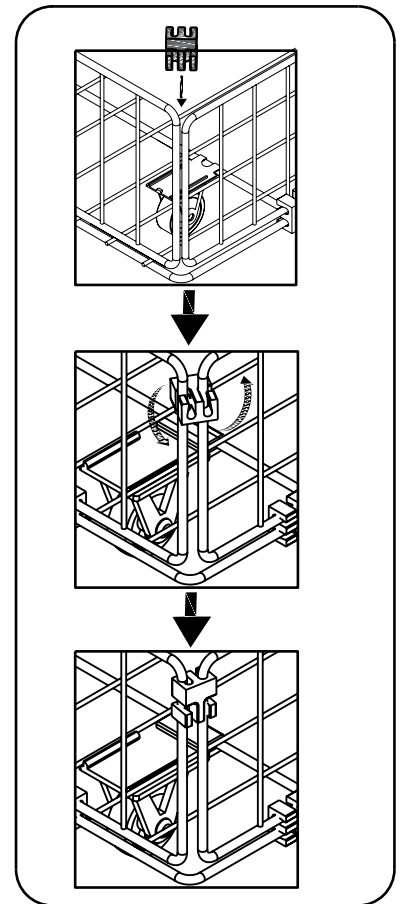


The plastic buckle is placed between the two wires as shown.

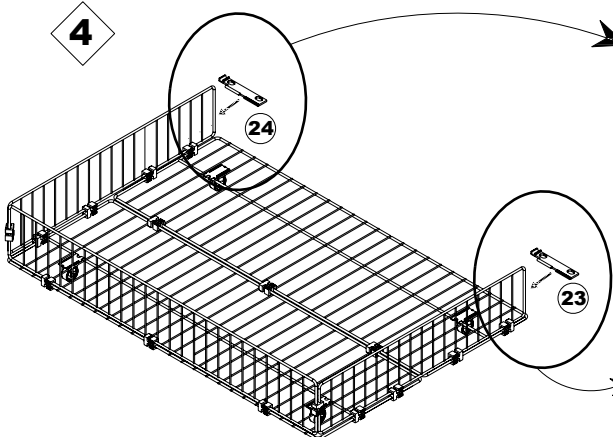
3



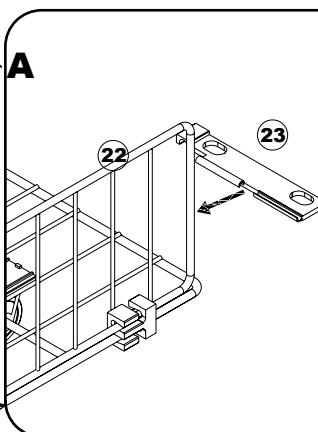
The plastic buckle rotates into wires



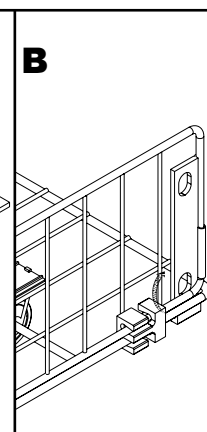
4



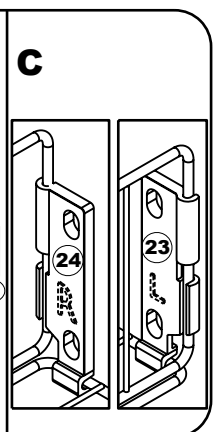
A



B



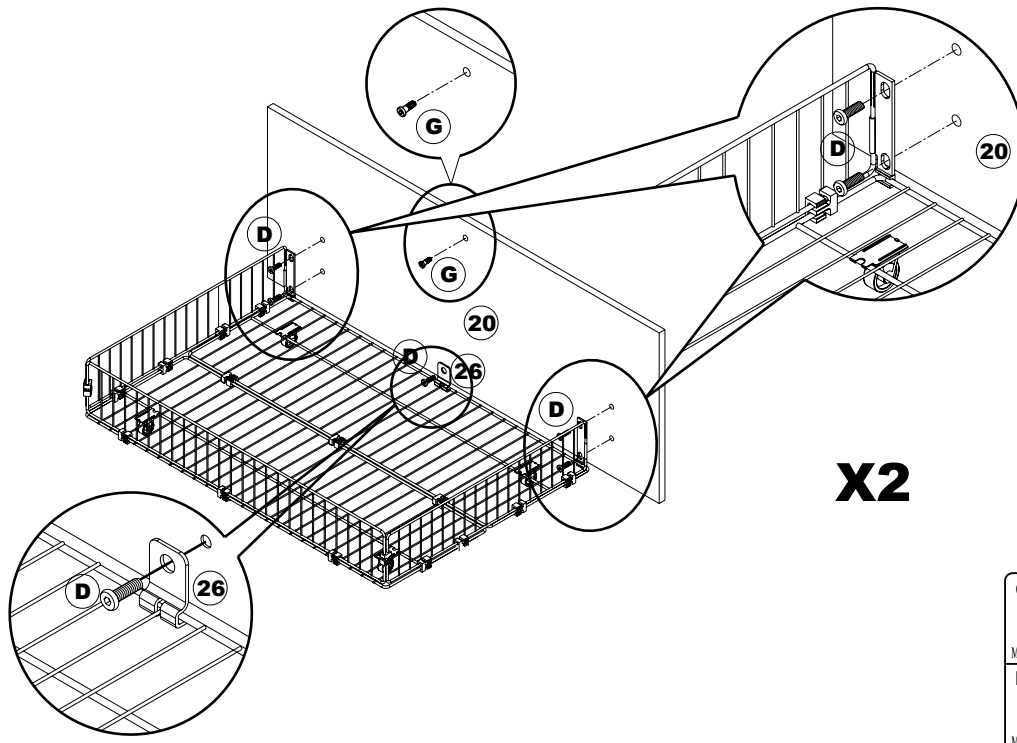
C




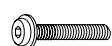
The plastic buckle is locked on the wire as shown, and rotating the plastic buckle to lock upper buckle on the wire.

ASSEMBLY INSTRUCTIONS

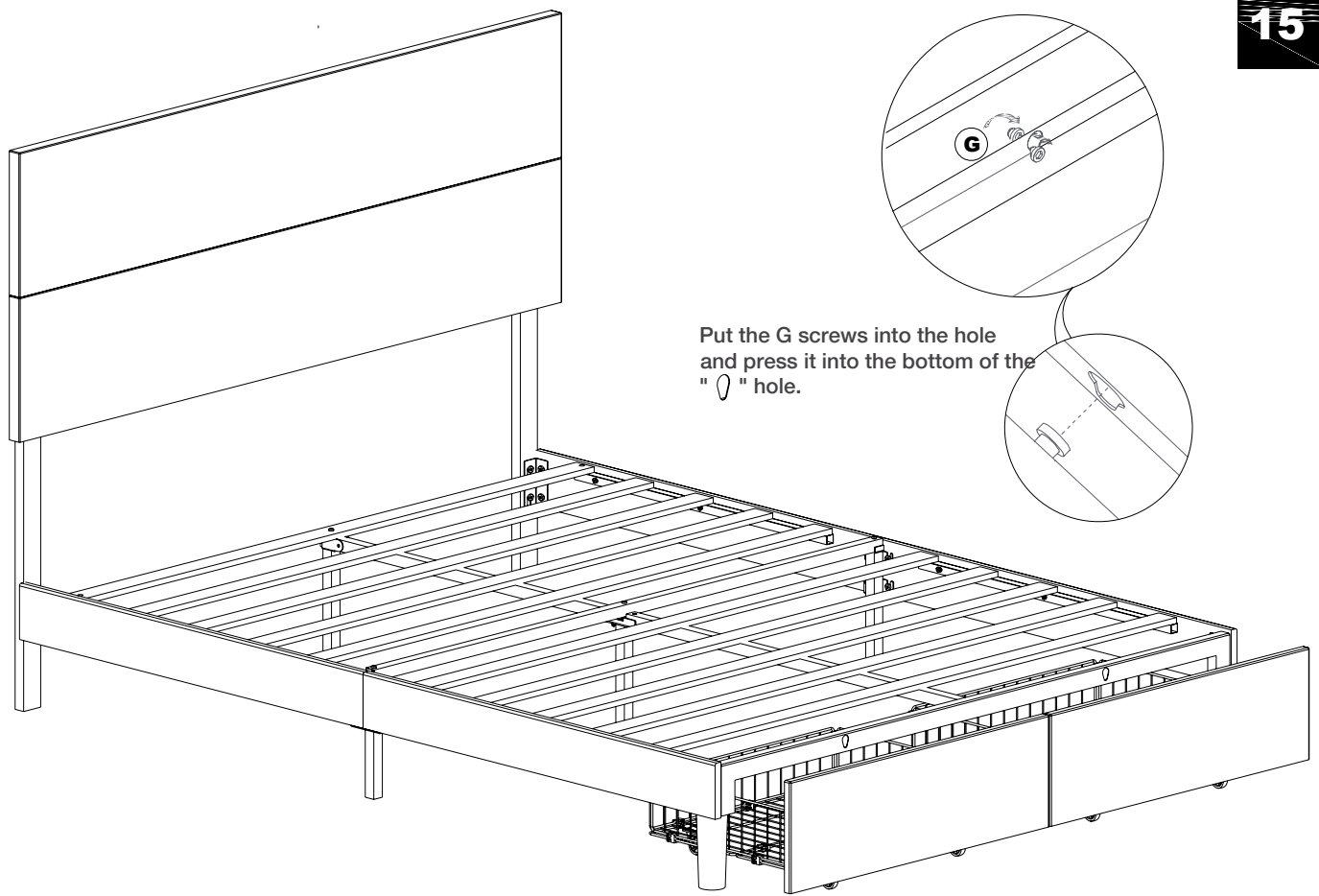
14



X2

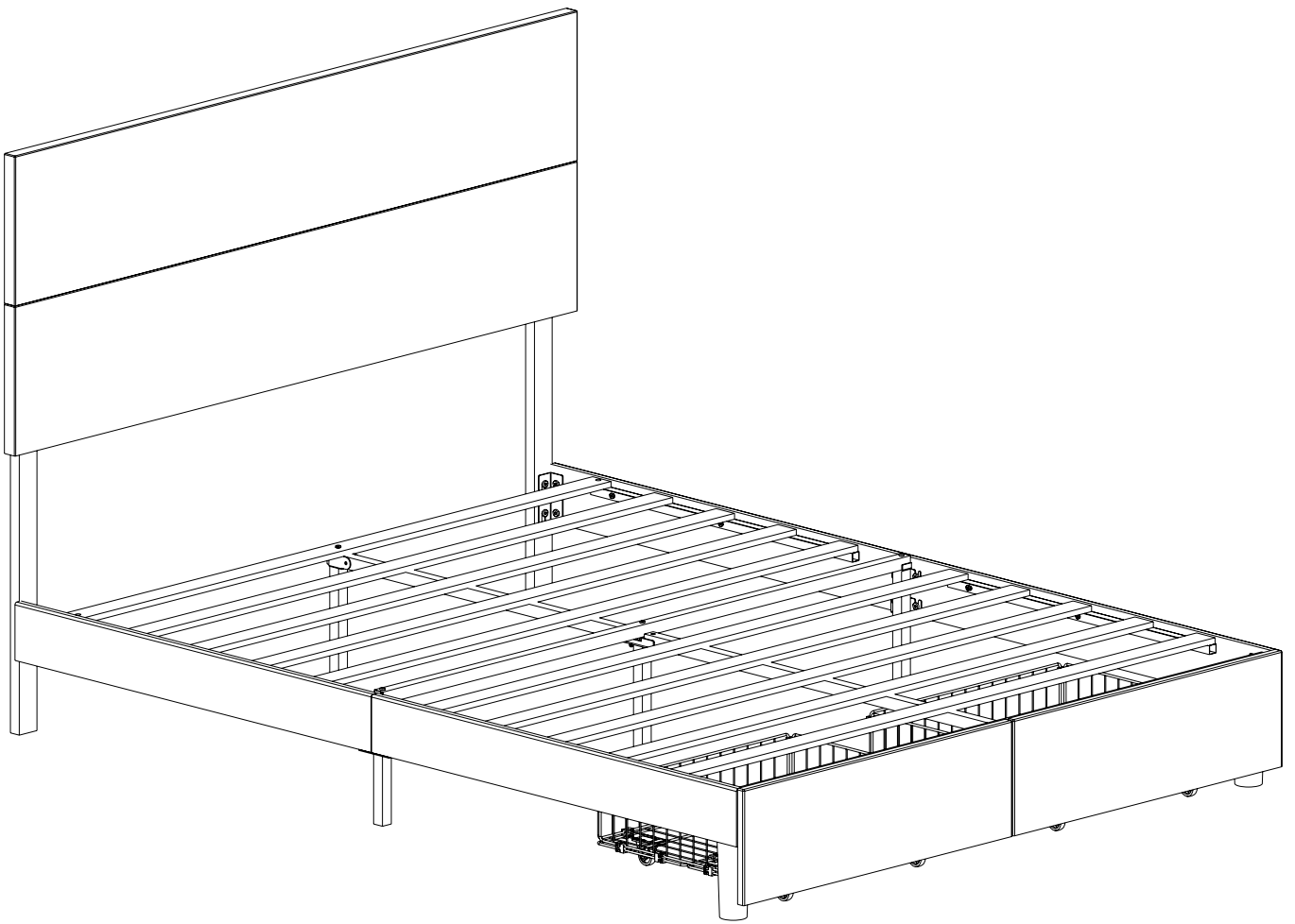
G		M8 x 13mm	X2pcs
D		M8 x 15mm	X10pcs

15



Put the G screws into the hole and press it into the bottom of the "D" hole.

ASSEMBLY INSTRUCTIONS



Installation Complete