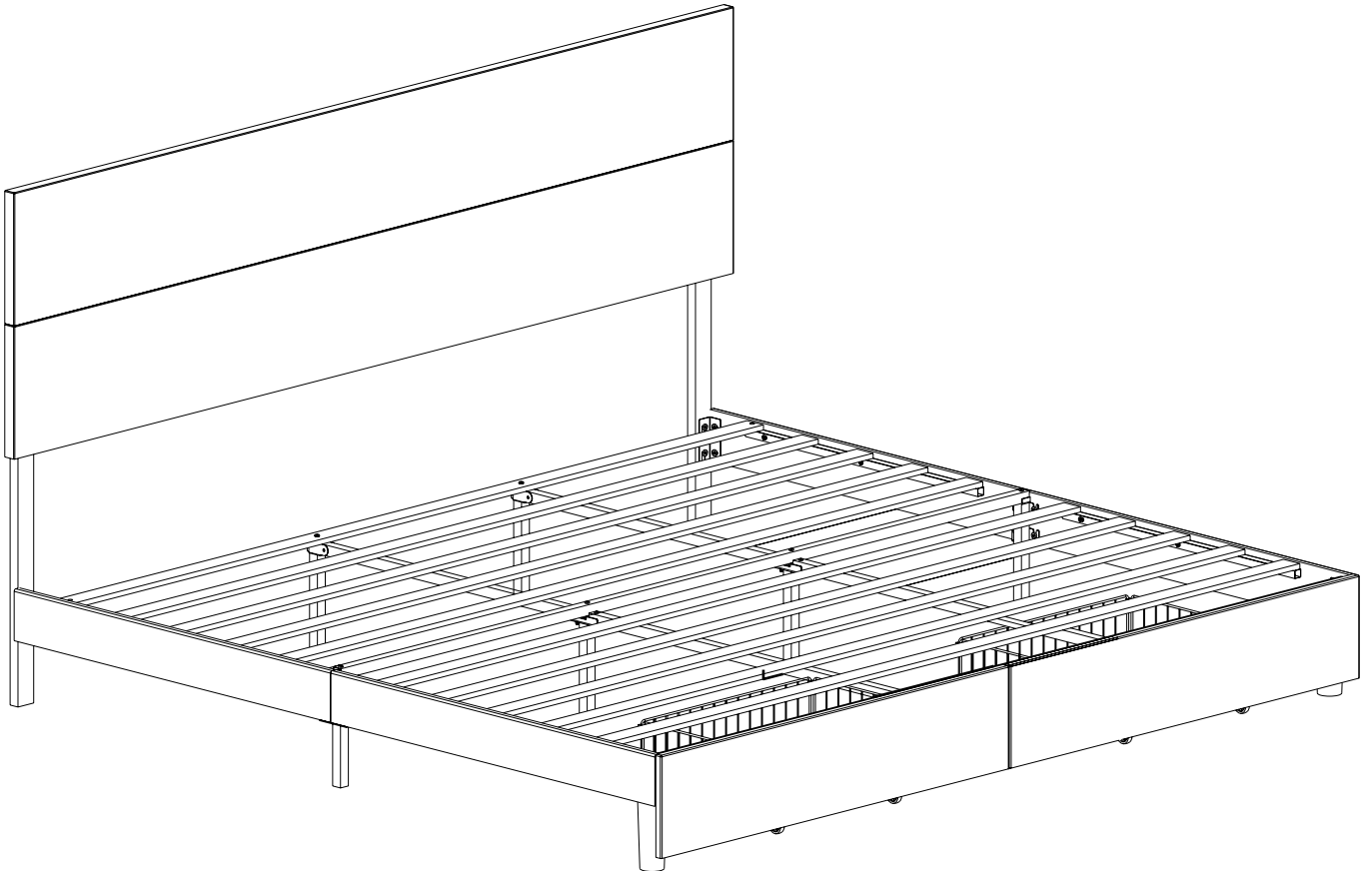


## Upholstered Bed



### **Friendly Customer Service**

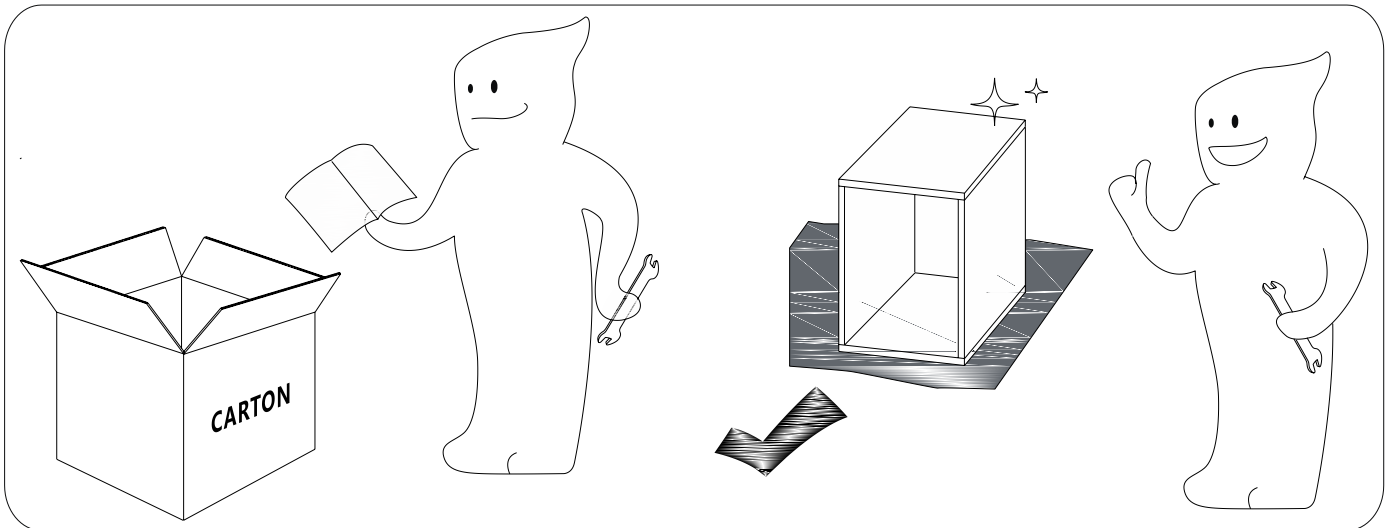
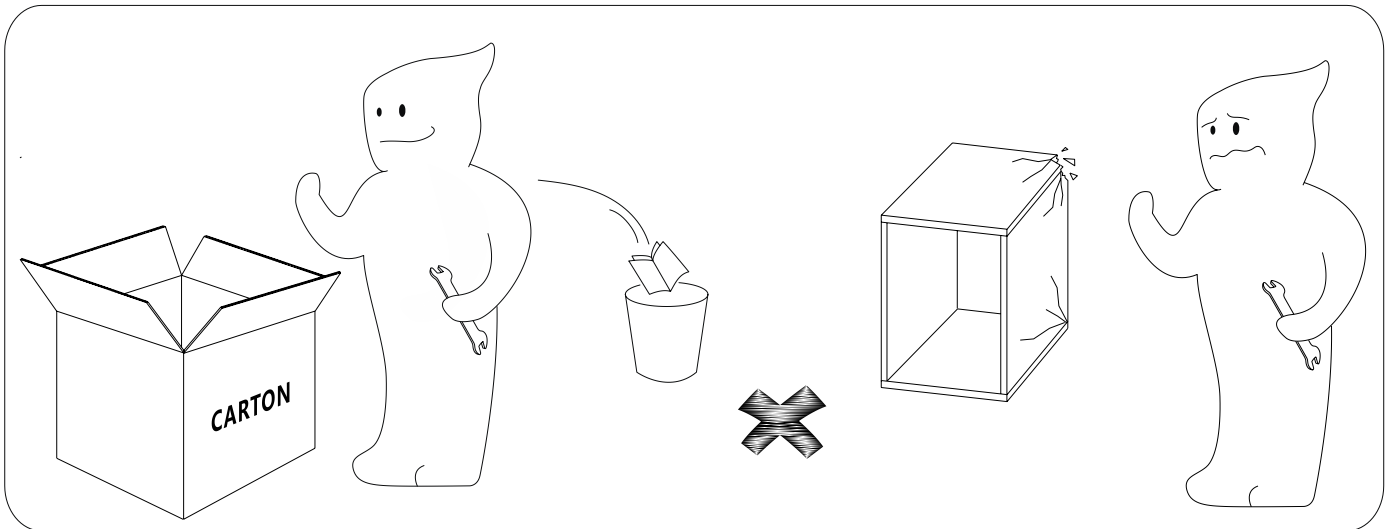
Satisfaction Guarantees: Any problems with assembly, quality, or return, please feel free to contact us directly.

### **Contact us**

Phone: +1 (901) 347-2181 (US) Mon-Fri 9am - 5pm (PST)  
E-Mail: [cs@howedirect.com](mailto:cs@howedirect.com) (Get efficient feedback within 12 hours)

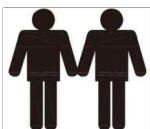
# ! IMPORTANT

Please follow the instruction manuals and use a pad to protect the product during your assembly.



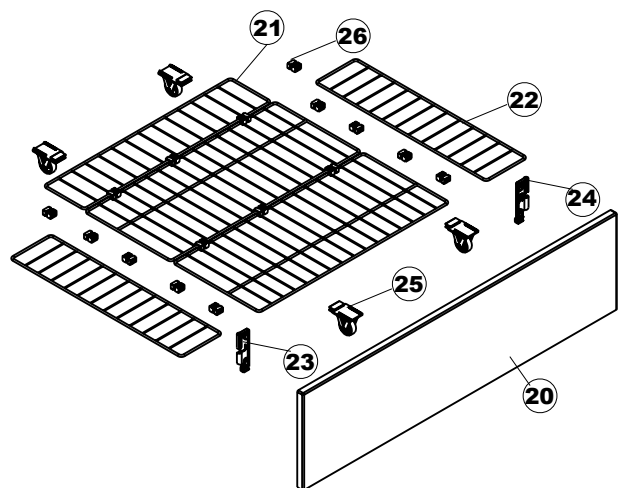
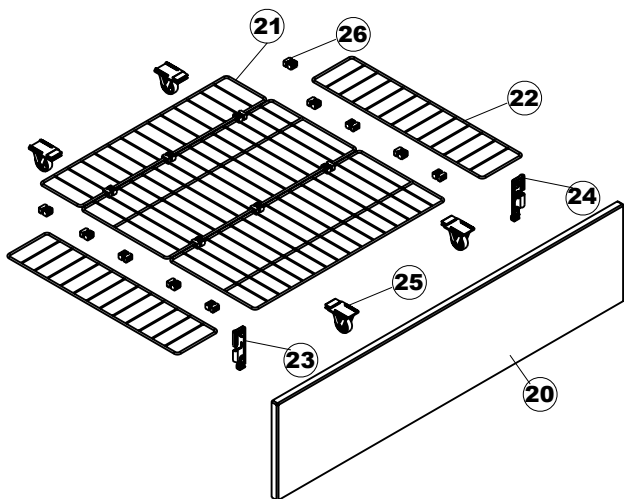
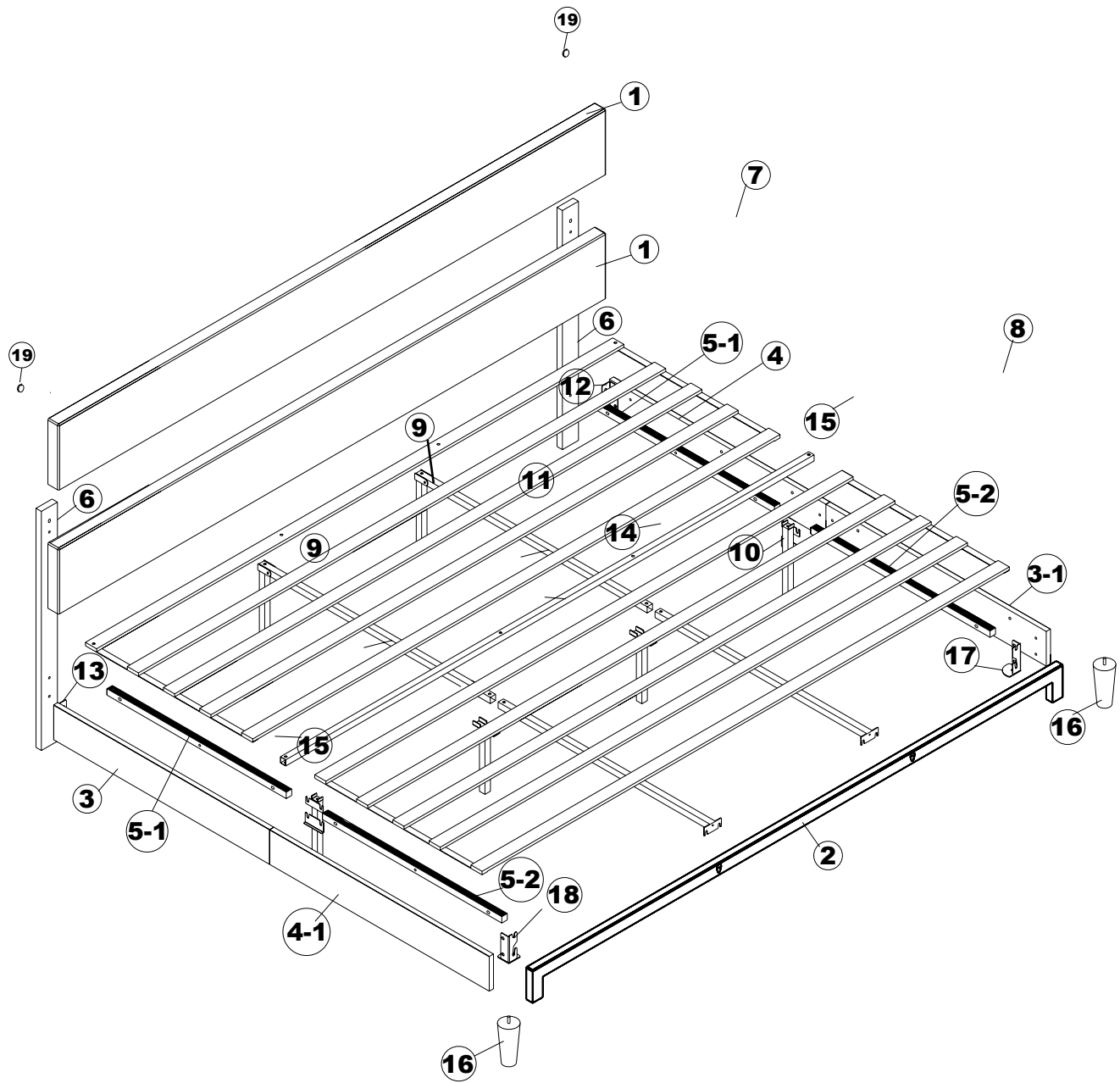
**Note:**

1. Should be assembled on flat ground to keep balance.
2. Before completing the installation, do not tighten the screws.



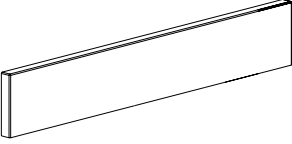
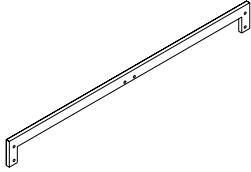
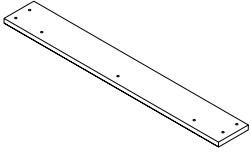
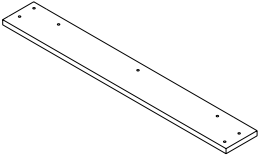
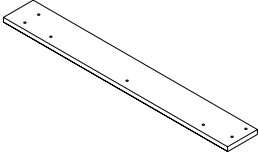
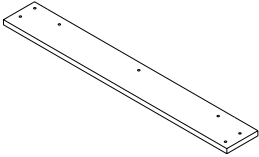
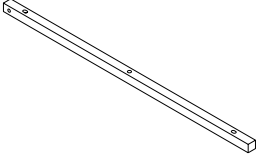
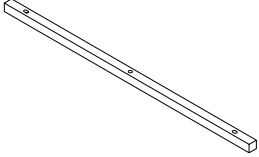
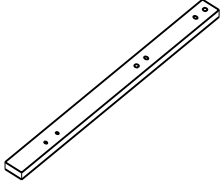
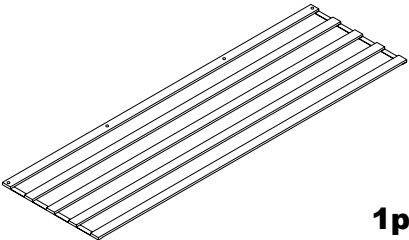
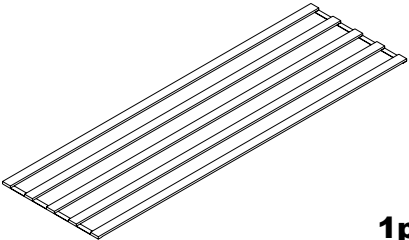

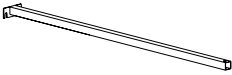
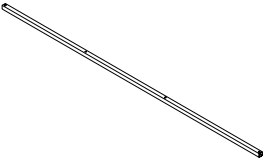
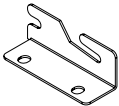
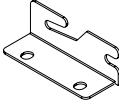
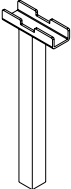
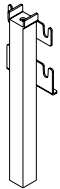

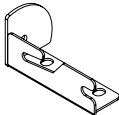
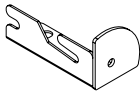
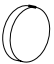
For easier and better assembly, **2** or more adults are required.

# ASSEMBLY INSTRUCTIONS



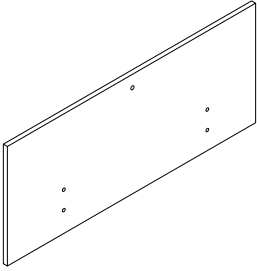
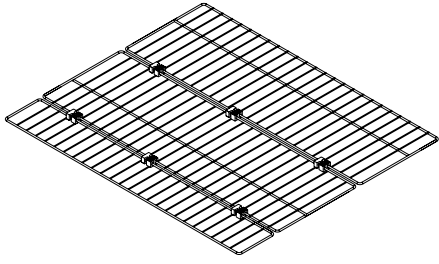
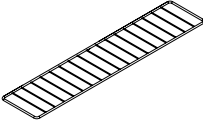
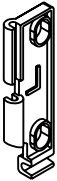

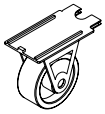

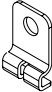
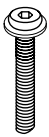






# ASSEMBLY INSTRUCTIONS

## PARTS LIST

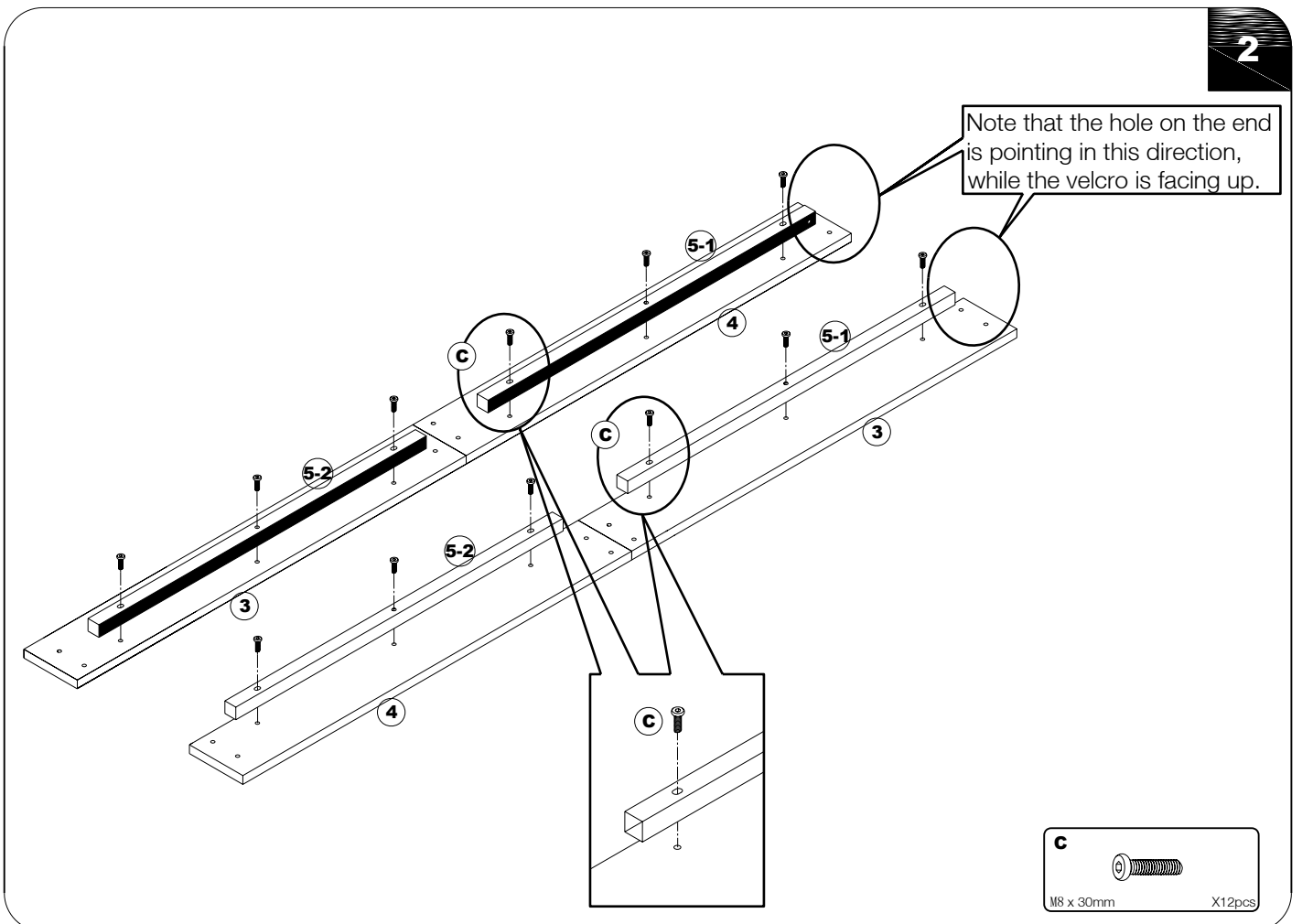
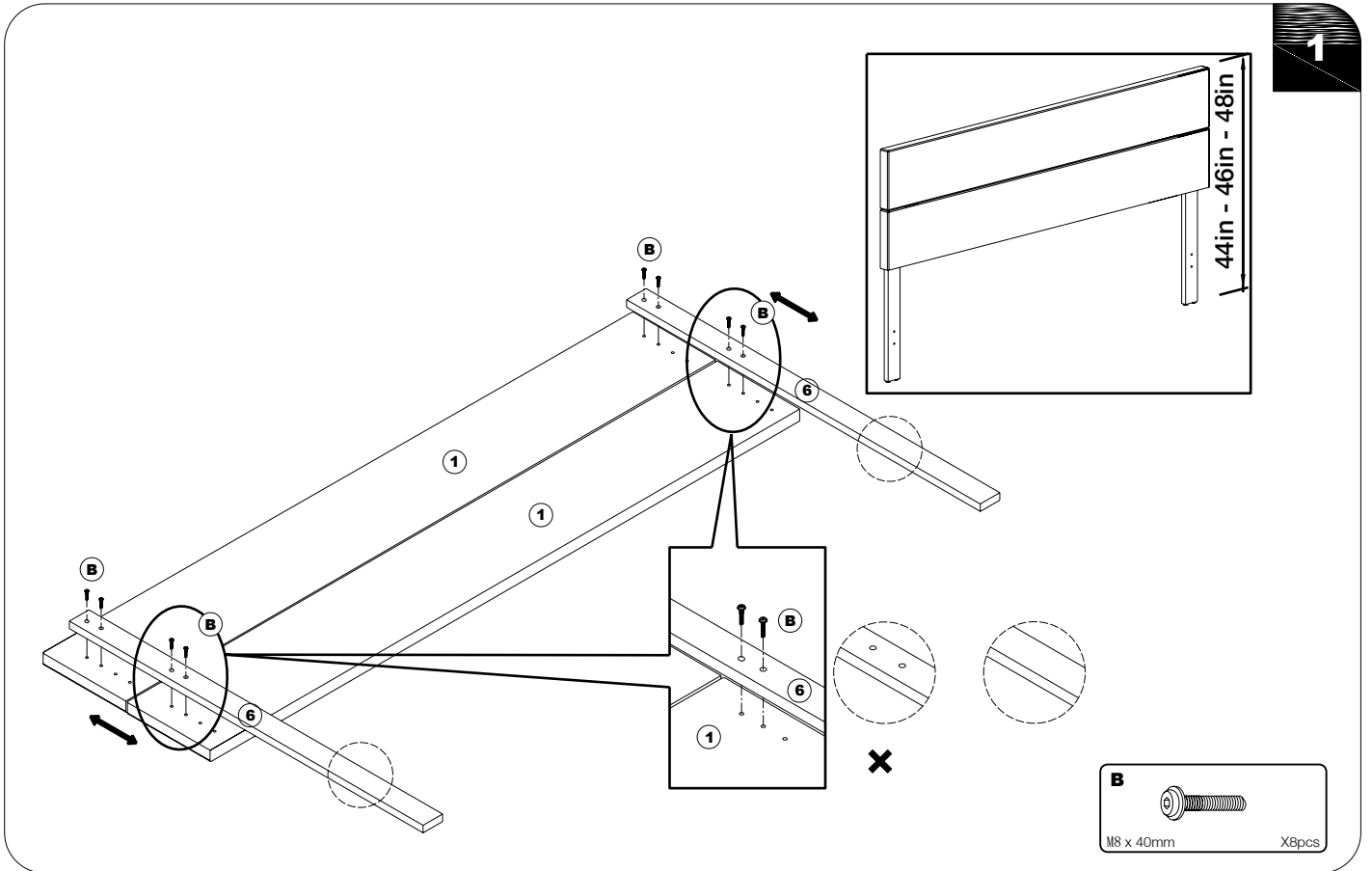
<p><b>1</b></p>  <p><b>2pcs</b></p>	<p><b>2</b></p>  <p><b>1pc</b></p>	<p><b>3</b></p>  <p><b>1pc</b></p>			
<p><b>4</b></p>  <p><b>1pc</b></p>	<p><b>3-1</b></p>  <p><b>1pc</b></p>	<p><b>4-1</b></p>  <p><b>1pc</b></p>			
<p><b>5-1</b></p>  <p><b>2pcs</b></p>	<p><b>5-2</b></p>  <p><b>2pcs</b></p>	<p><b>6</b></p>  <p><b>2pcs</b></p>			
<p><b>7</b></p>  <p><b>1pc</b></p>	<p><b>8</b></p>  <p><b>1pc</b></p>	<p><b>9</b></p>  <p><b>2pcs</b></p>			
<p><b>10</b></p>  <p><b>2pcs</b></p>	<p><b>11</b></p>  <p><b>1pc</b></p>	<p><b>12</b></p>  <p><b>1pc</b></p>	<p><b>13</b></p>  <p><b>1pc</b></p>		
<p><b>14</b></p>  <p><b>2pcs</b></p>	<p><b>15</b></p>  <p><b>2pcs</b></p>	<p><b>16</b></p>  <p><b>2pcs</b></p>	<p><b>17</b></p>  <p><b>1pc</b></p>	<p><b>18</b></p>  <p><b>1pc</b></p>	<p><b>19</b></p>  <p><b>2pcs</b></p>

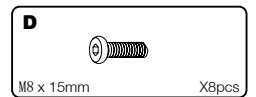
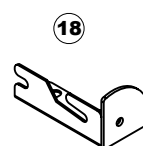
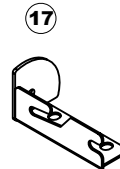
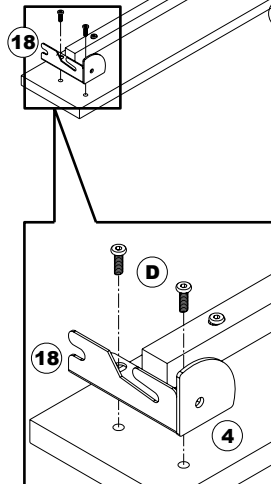
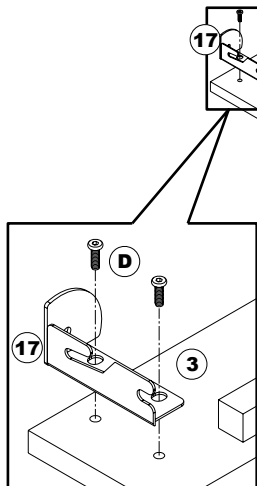
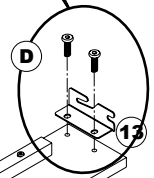
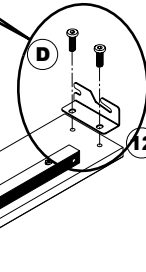
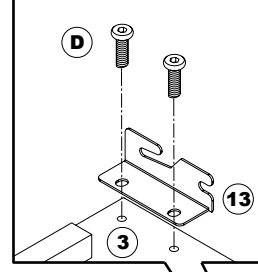
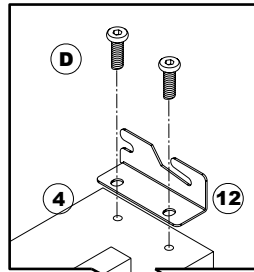
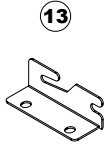
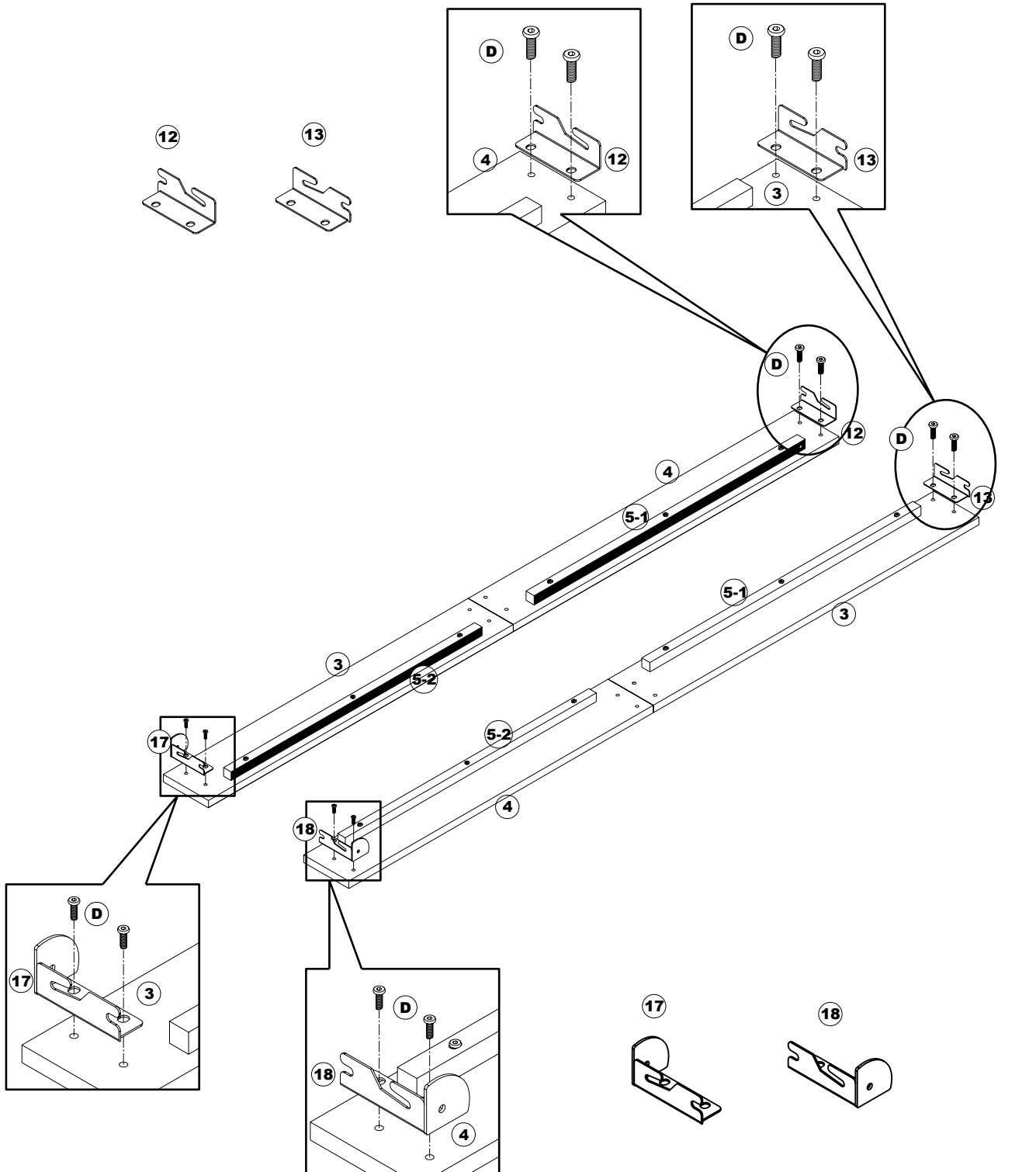
# ASSEMBLY INSTRUCTIONS

## PARTS LIST

<p><b>20</b></p>  <p><b>2pcs</b></p>	<p><b>21</b></p>  <p><b>2pcs</b></p>		
<p><b>22</b></p>  <p><b>4pcs</b></p>	<p><b>23</b></p>  <p><b>2pcs</b></p>	<p><b>24</b></p>  <p><b>2pcs</b></p>	<p><b>25</b></p>  <p><b>8pcs</b></p>
<p><b>26</b></p>  <p><b>20pcs</b></p>	<p><b>27</b></p>  <p><b>2pcs</b></p>		
<p><b>A</b></p>  <p><b>M8x50</b></p> <p><b>4pcs</b></p>	<p><b>B</b></p>  <p><b>M8x40</b></p> <p><b>14pcs</b></p>	<p><b>C</b></p>  <p><b>M8x30</b></p> <p><b>12pcs</b></p>	<p><b>D</b></p>  <p><b>M8x15</b></p> <p><b>38pcs</b></p>
<p><b>E</b></p>  <p><b>M6x25</b></p> <p><b>2pcs</b></p>	<p><b>G</b></p>  <p><b>M8x13</b></p> <p><b>2pcs</b></p>	<p><b>F</b></p>  <p><b>M5 allen key</b></p> <p><b>1pc</b></p>	

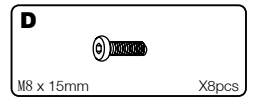
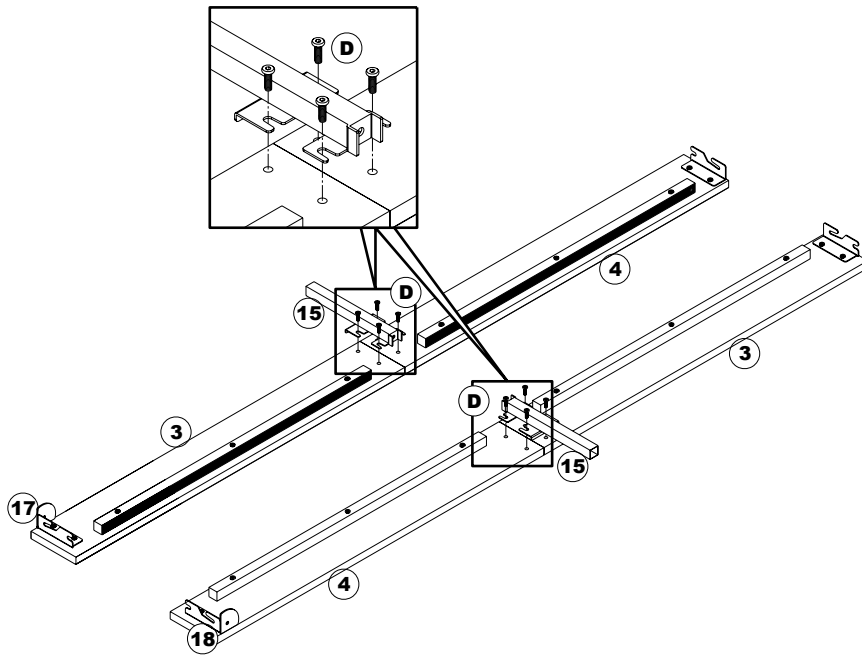
# ASSEMBLY INSTRUCTIONS



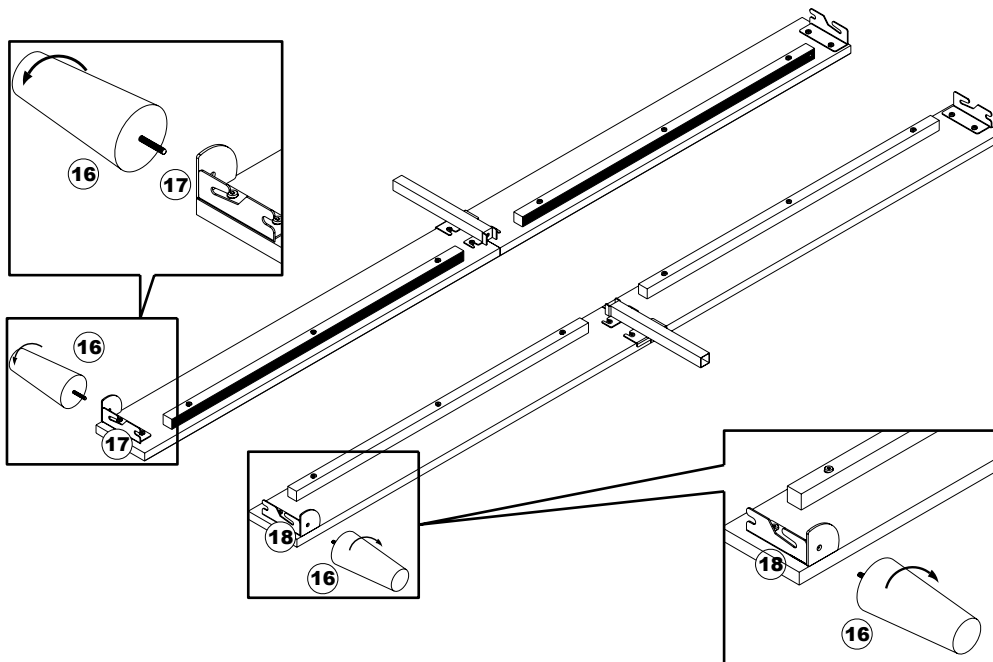


# ASSEMBLY INSTRUCTIONS

4



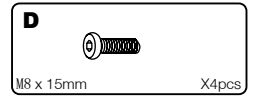
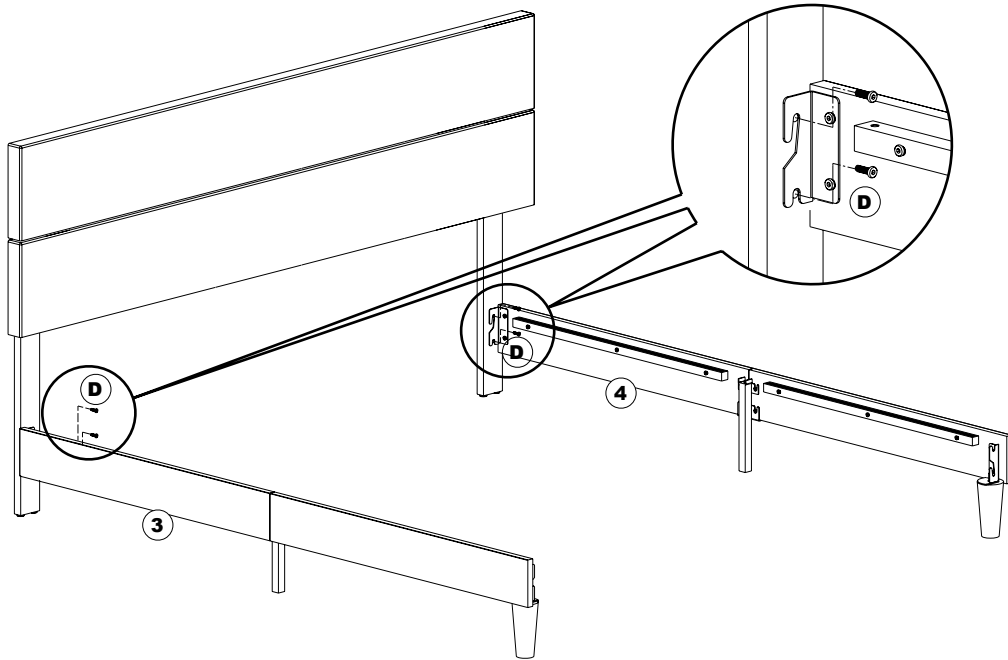
5



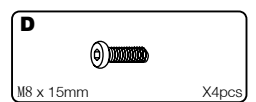
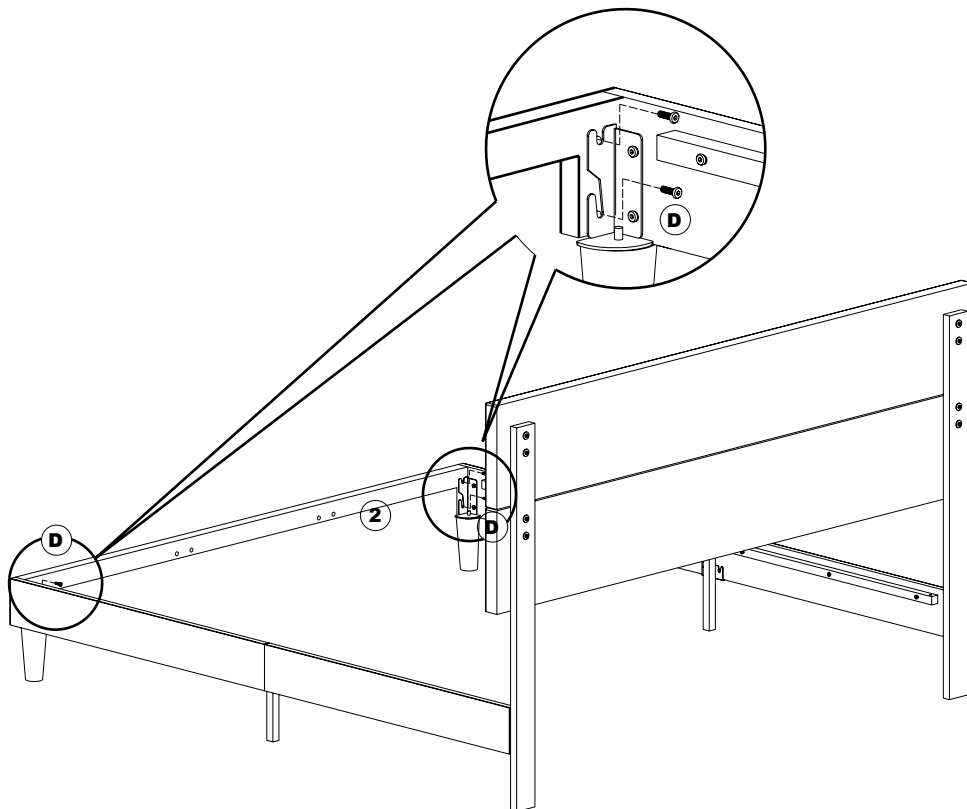


# ASSEMBLY INSTRUCTIONS

6

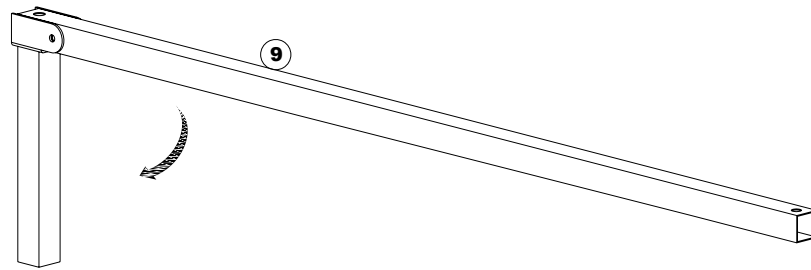


7



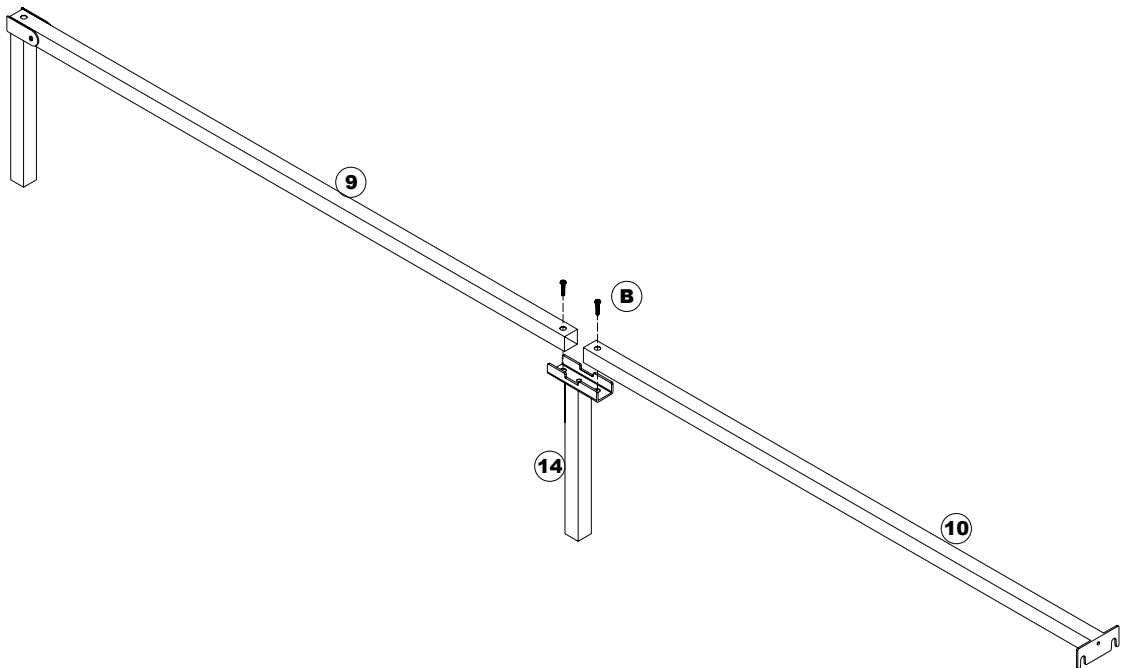
8

**WARNING!**  
Moving parts can crush or cut.  
Keep fingers, hands, and feet away to avoid injury.

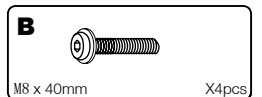


x2

9

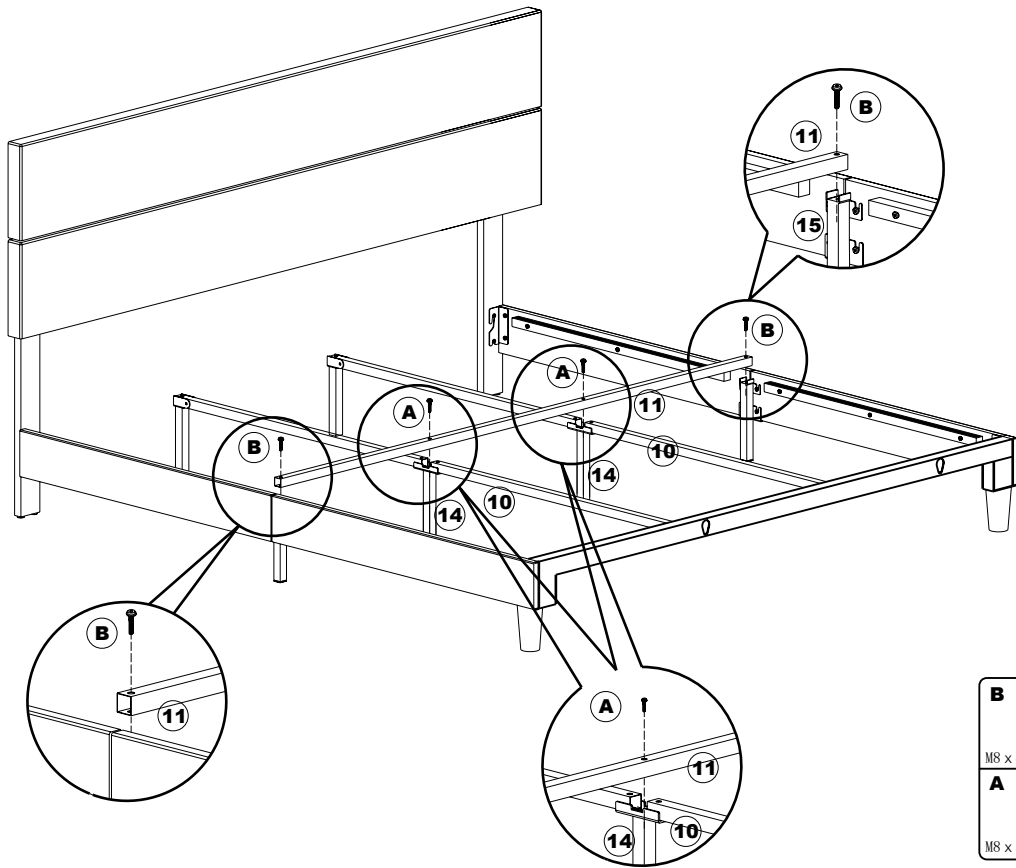


x2

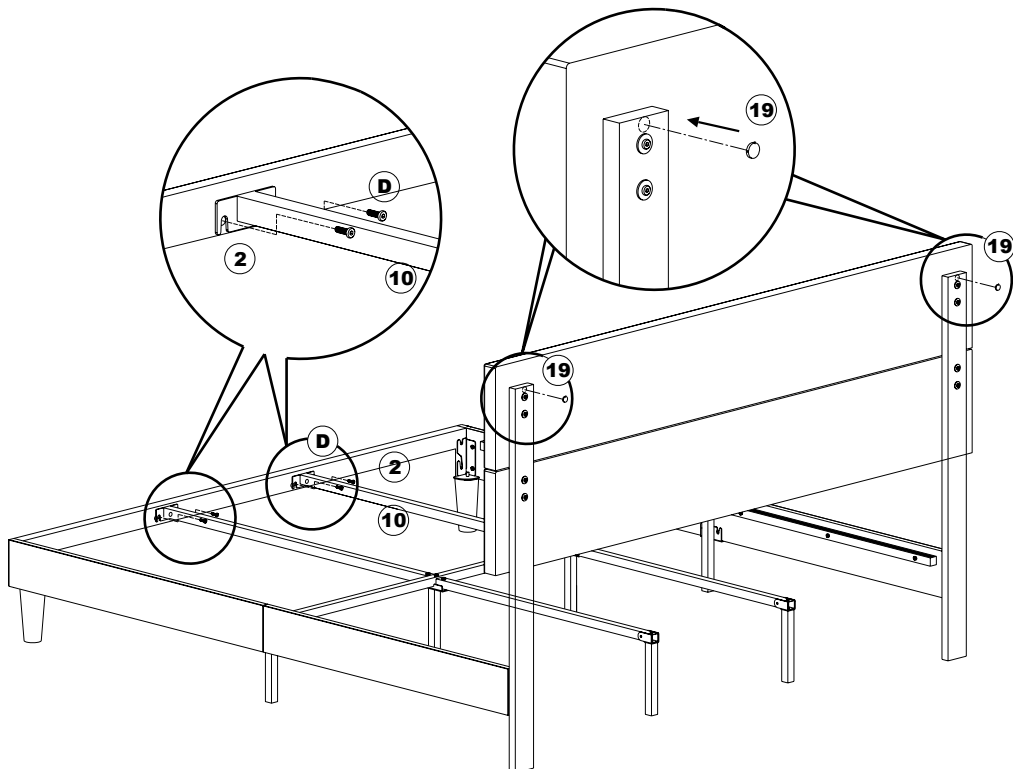


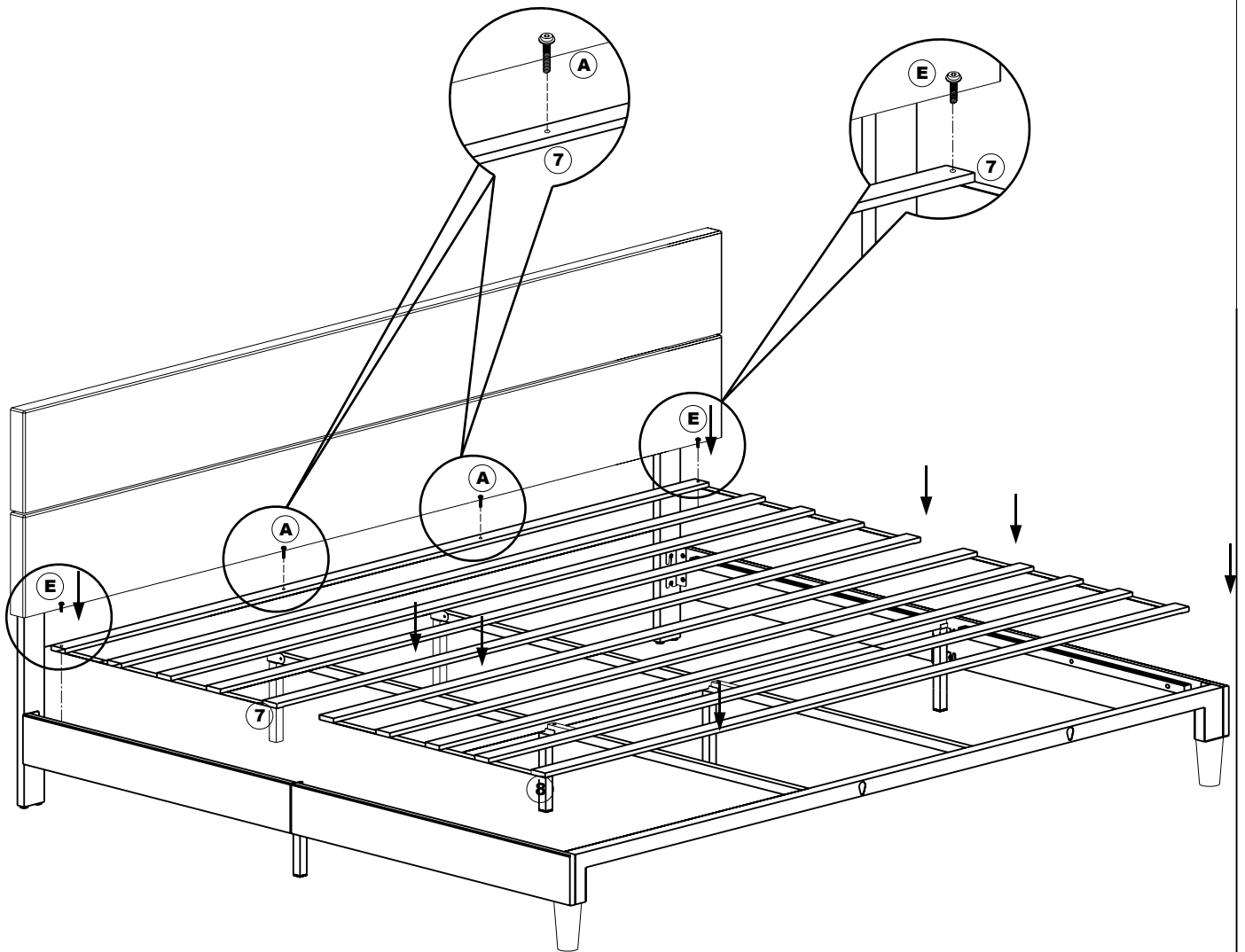
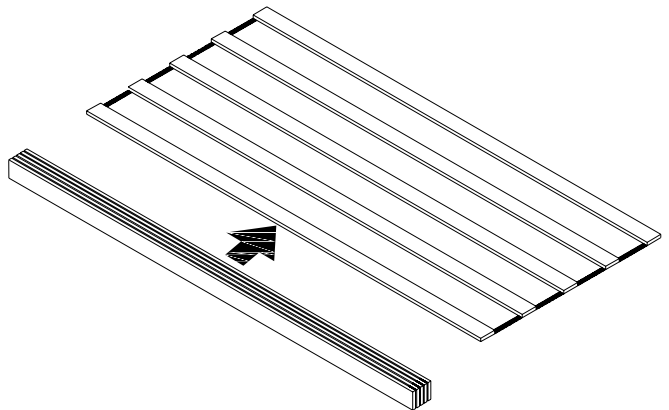
# ASSEMBLY INSTRUCTIONS



10



11



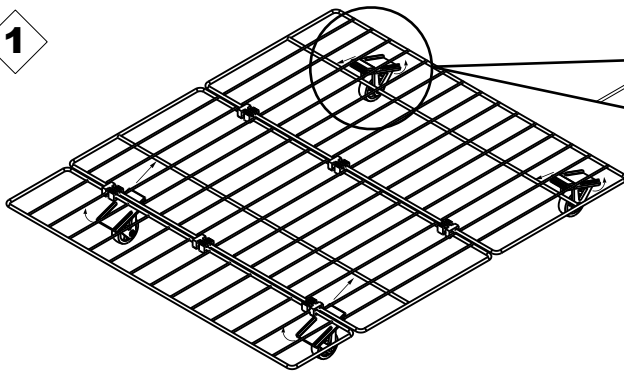


<b>E</b>		X2pcs
<b>A</b>		X2pcs

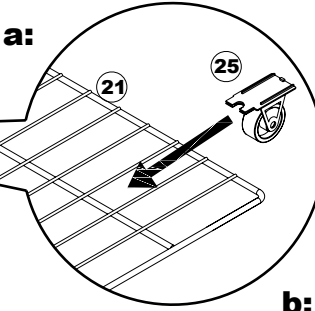
# ASSEMBLY INSTRUCTIONS

13

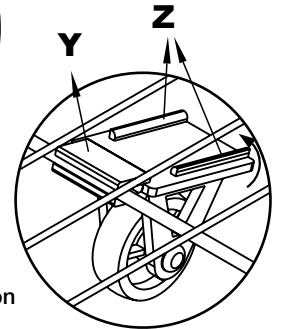
1



a:

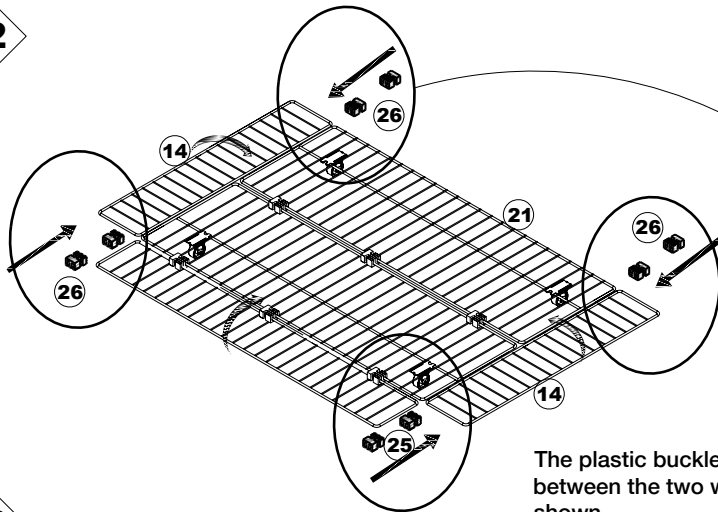


b:



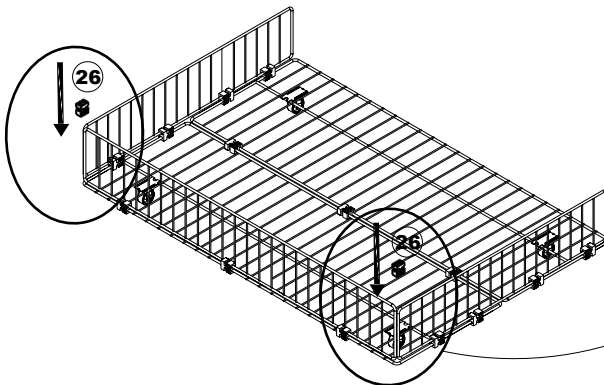
Lock the buckle (Y) on the wire first, and rotating the plastic buckle to lock two buckles (Z) on the wires.

2

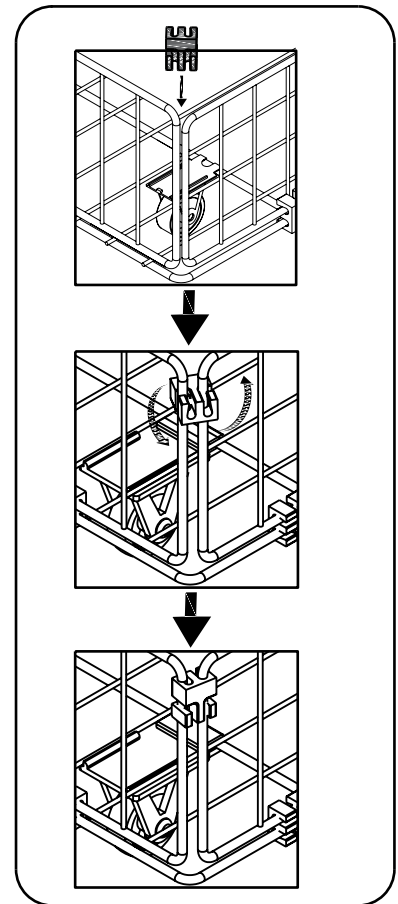


The plastic buckle is placed between the two wires as shown.

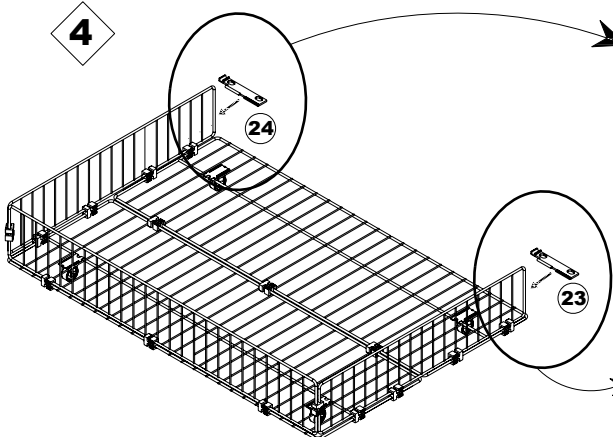
3



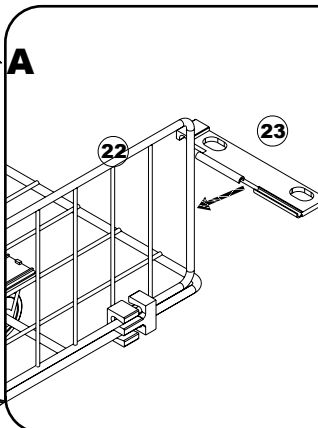
The plastic buckle rotates into wires



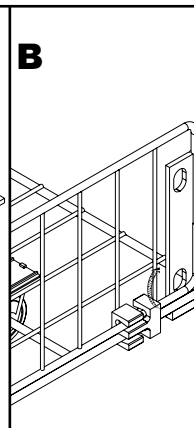
4



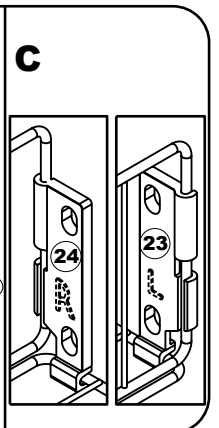
A



B



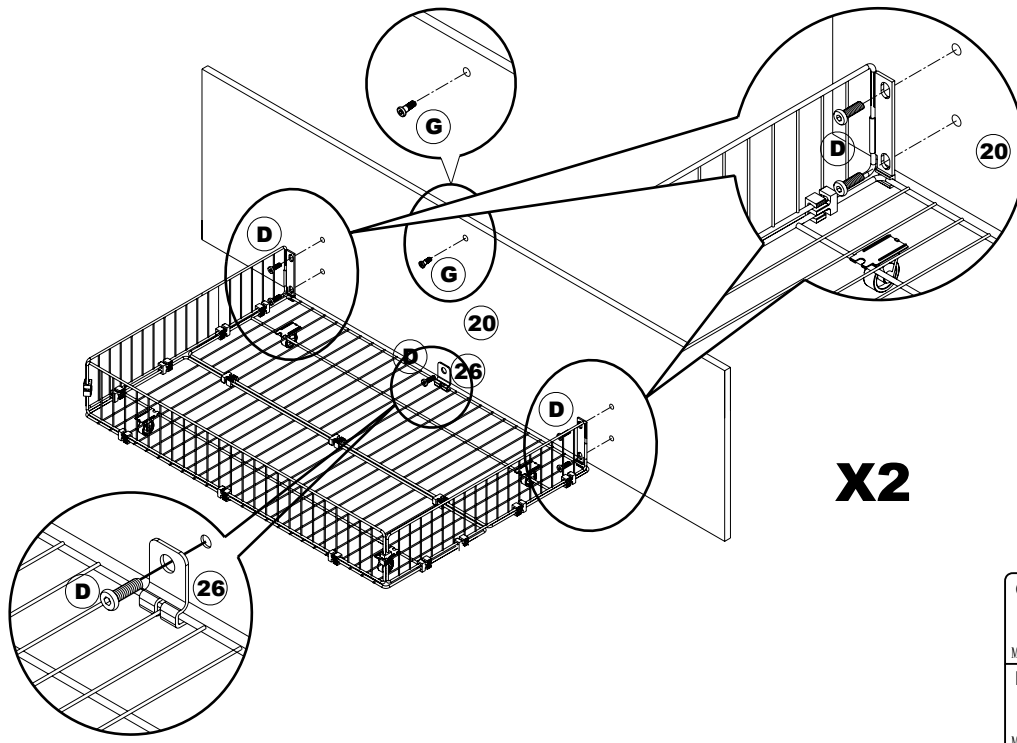
C





The plastic buckle is locked on the wire as shown, and rotating the plastic buckle to lock upper buckle on the wire.

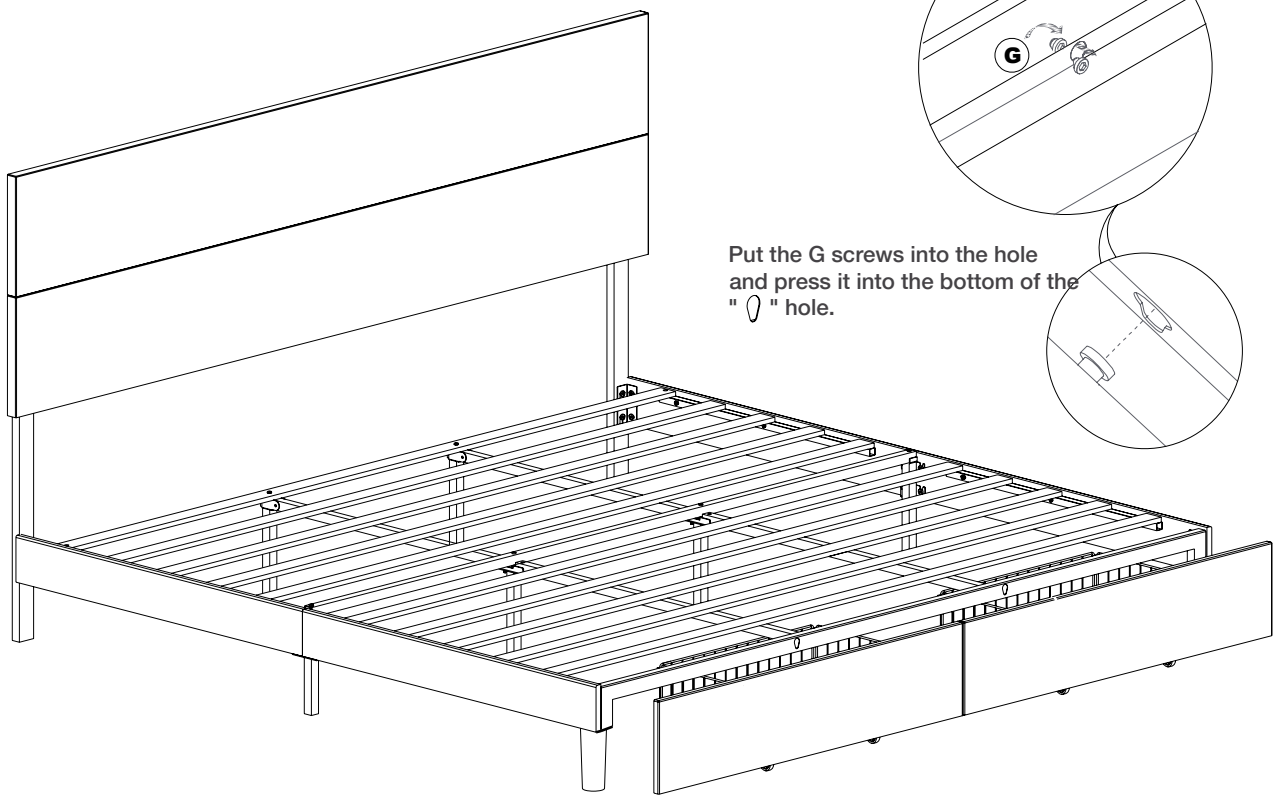
# ASSEMBLY INSTRUCTIONS

14



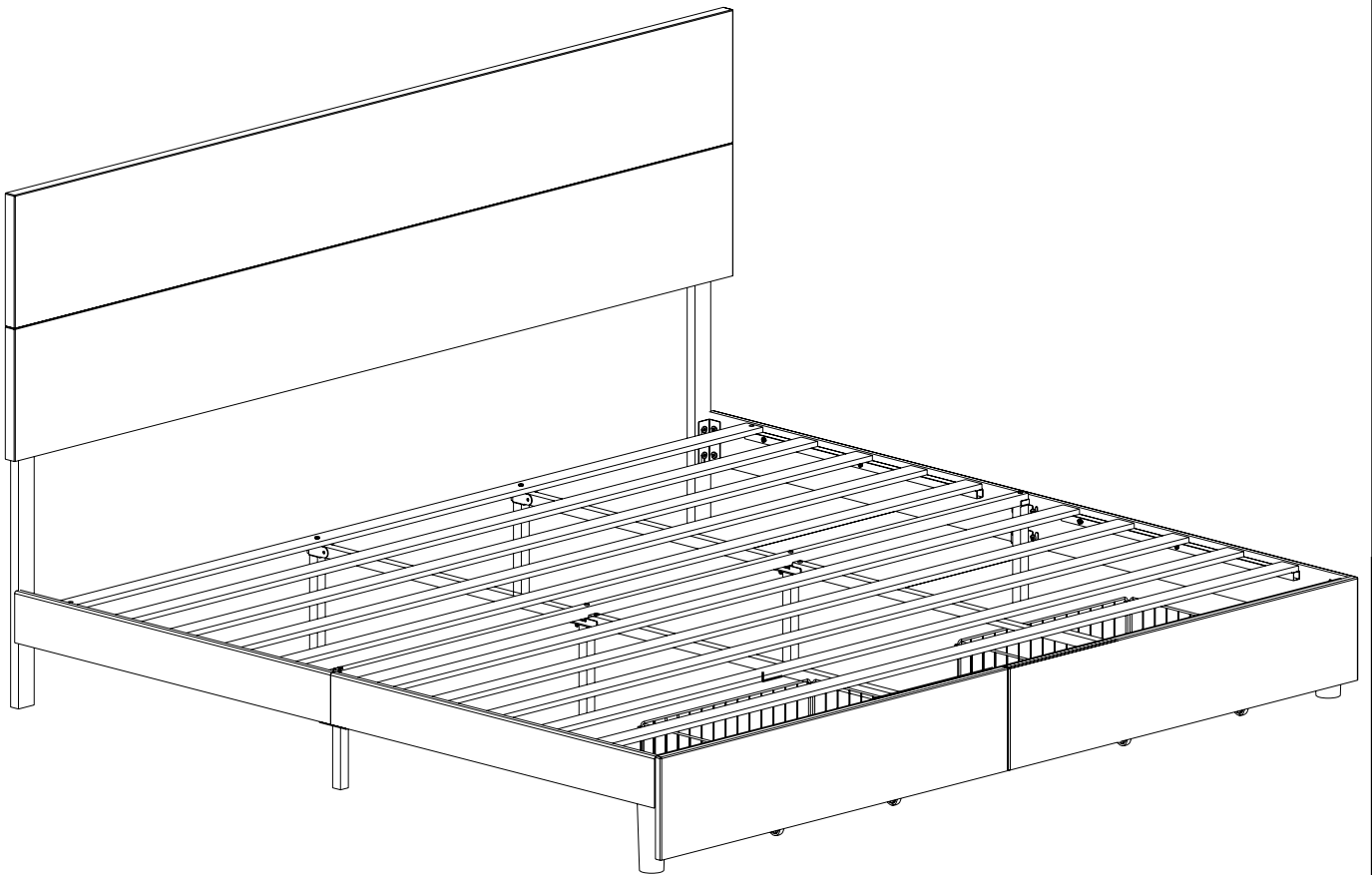
<b>G</b>		M8 x 13mm	X2pcs
<b>D</b>		M8 x 15mm	X10pcs

15



Put the G screws into the hole and press it into the bottom of the "O" hole.

# ASSEMBLY INSTRUCTIONS



Installation Complete