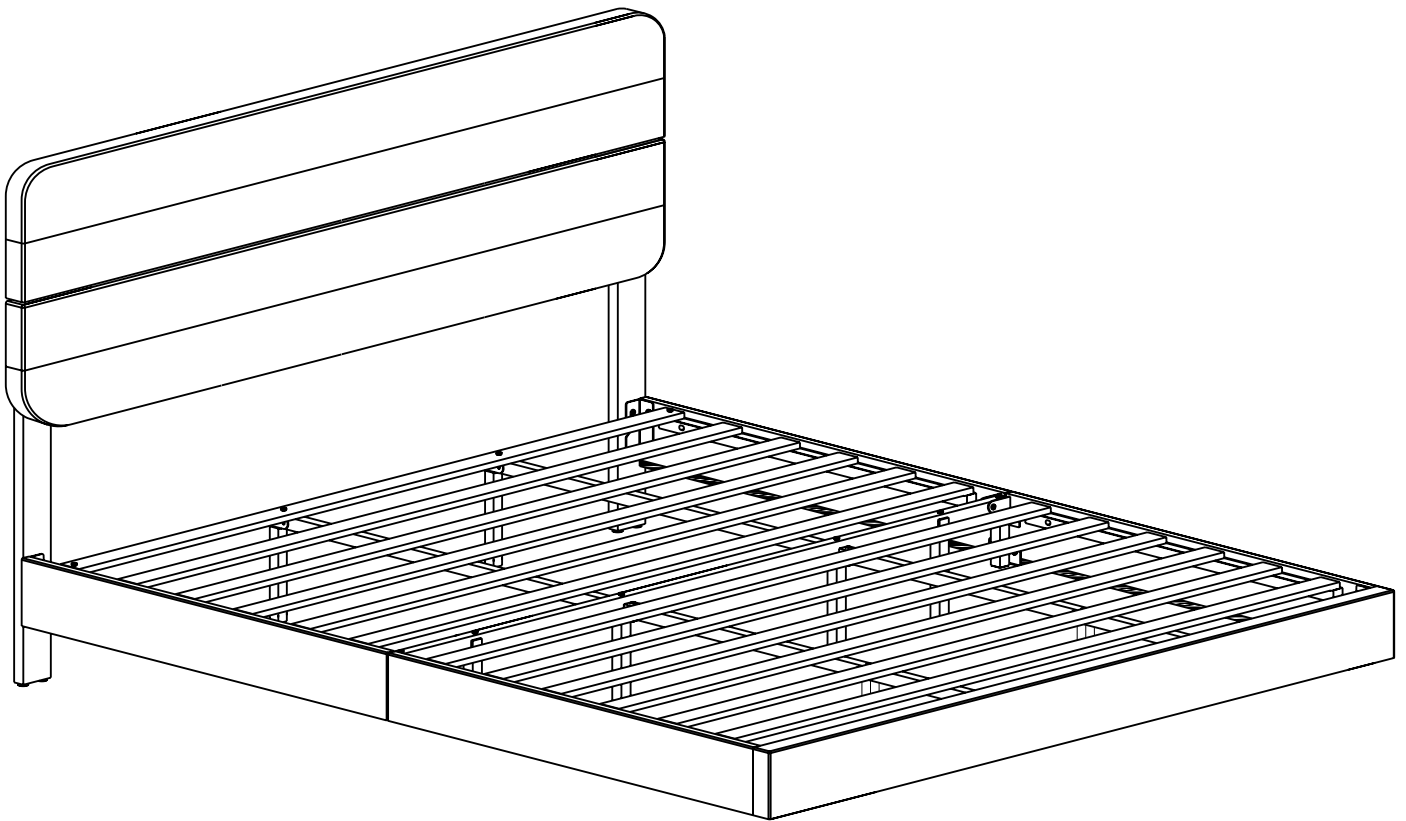


## Upholstered Bed



### **Friendly Customer Service**

Satisfaction Guarantees: Any problems with assembly, quality, or return, please feel free to contact us directly.

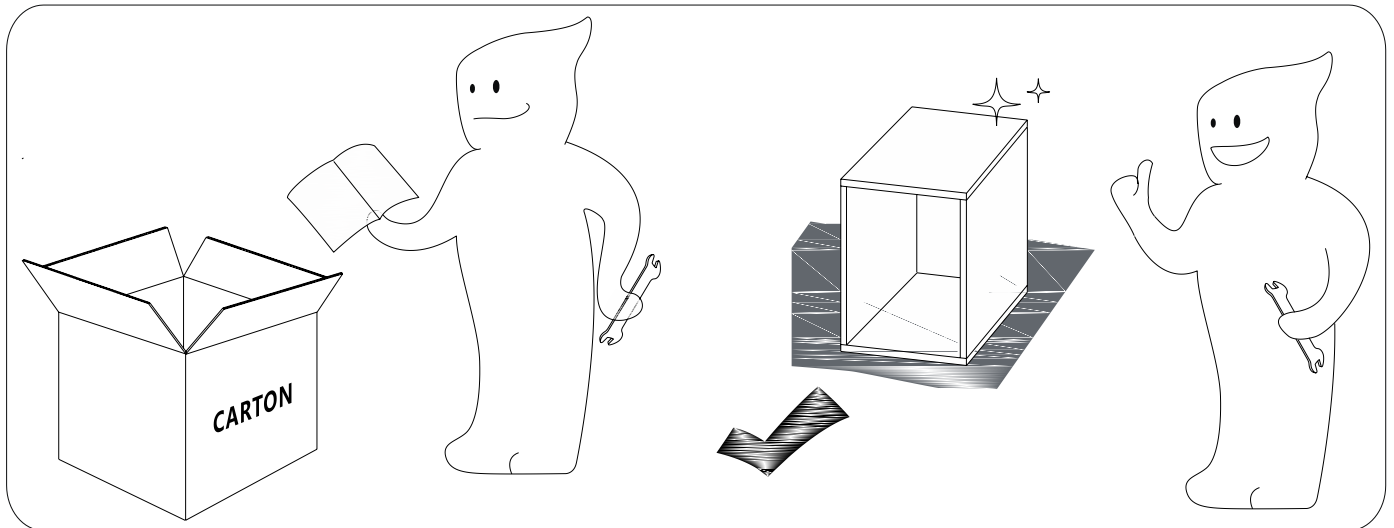
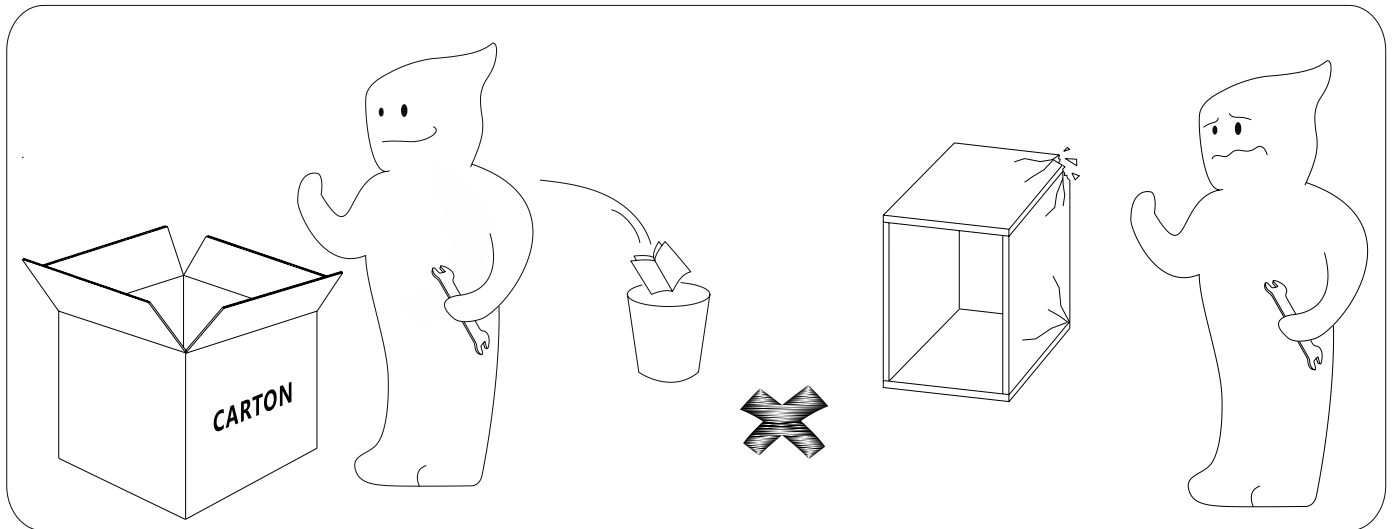
### **Contact us**

Phone: +1 (901) 347-2181 (US) Mon-Fri 9am - 5pm (PST)

E-Mail: [cs@howedirect.com](mailto:cs@howedirect.com) (Get efficient feedback within 12 hours)

# ! IMPORTANT

Please follow the instruction manuals and use a pad to protect the product during your assembly.



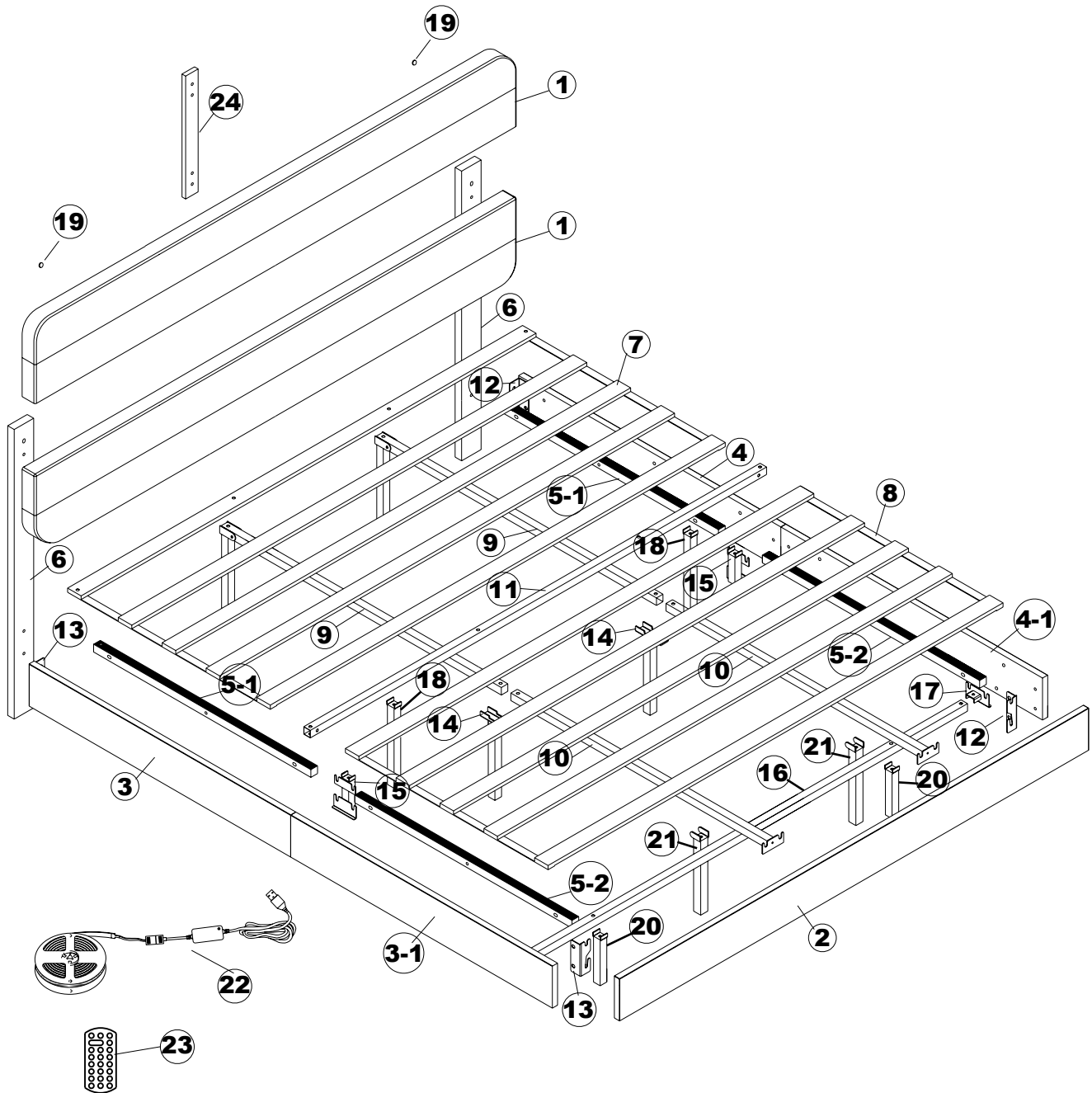
**Note:**

1. Should be assembled on flat ground to keep balance.
2. Before completing the installation, do not tighten the screws.



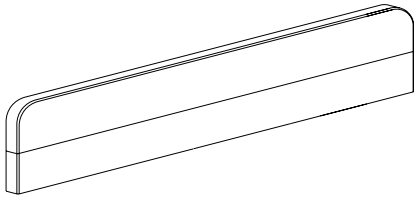
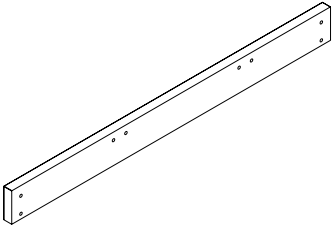
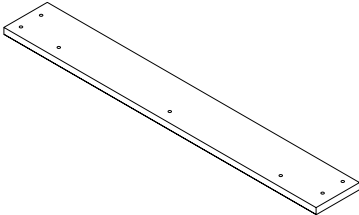
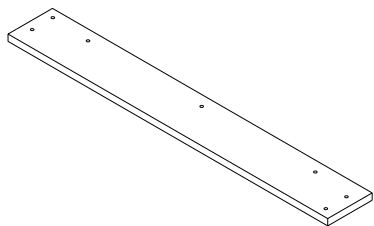
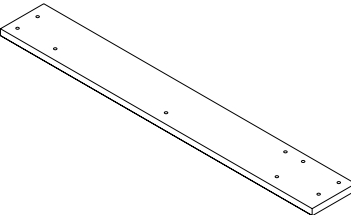
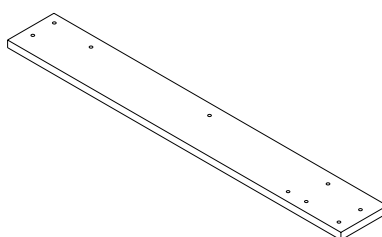
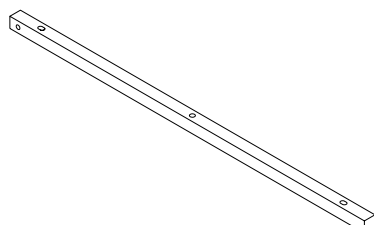
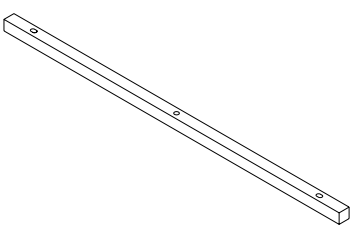
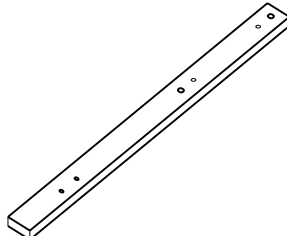
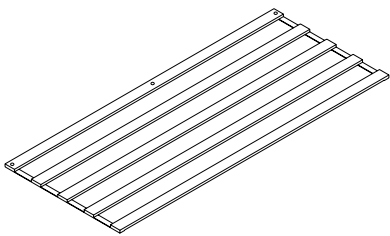
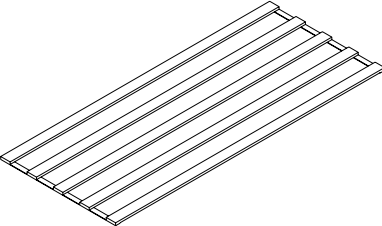
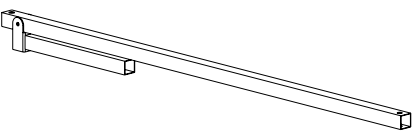
For easier and better assembly, **2** or more adults are required.

# ASSEMBLY INSTRUCTIONS

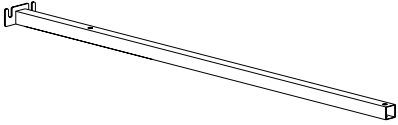
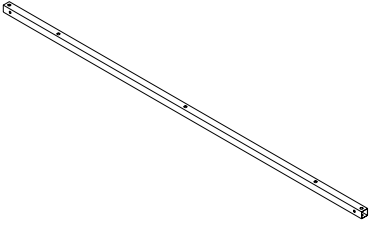
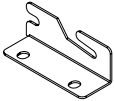
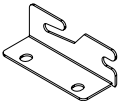
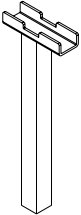
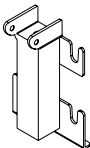
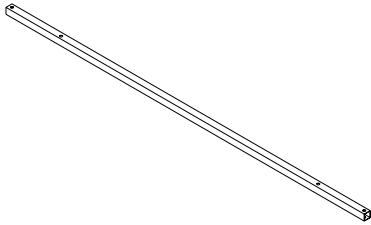
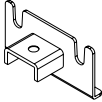

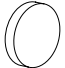


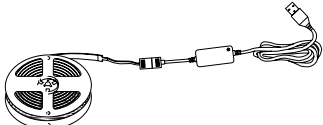
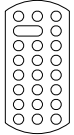

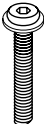
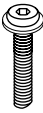
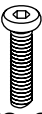
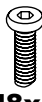

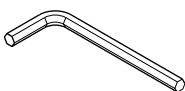


# ASSEMBLY INSTRUCTIONS

## PARTS LIST

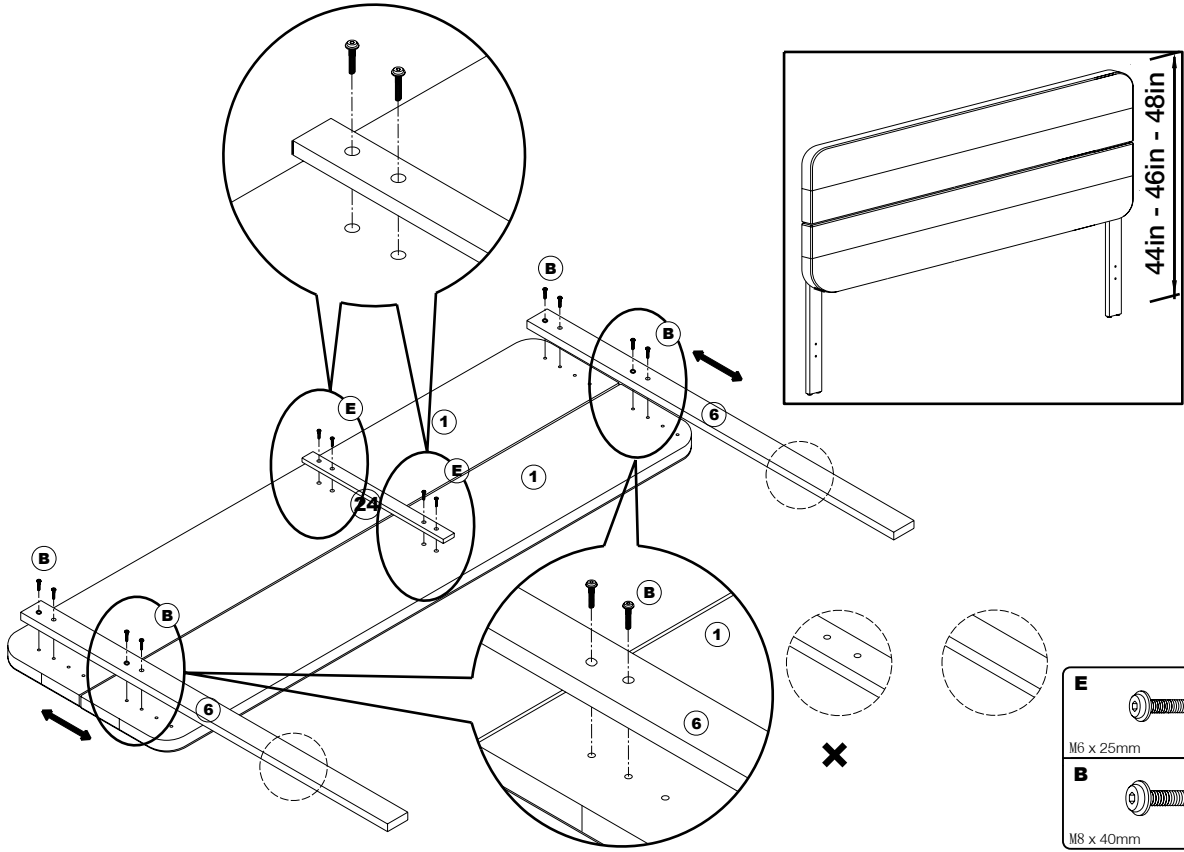
<b>1</b>  <b>2pcs</b>	<b>2</b>  <b>1pc</b>
<b>3</b>  <b>1pc</b>	<b>4</b>  <b>1pc</b>
<b>3-1</b>  <b>1pc</b>	<b>4-1</b>  <b>1pc</b>
<b>5-1</b>  <b>2pcs</b>	<b>5-2</b>  <b>2pcs</b>
<b>6</b>  <b>2pcs</b>	<b>7</b>  <b>1pc</b>
<b>8</b>  <b>1pc</b>	<b>9</b>  <b>2pcs</b>

# ASSEMBLY INSTRUCTIONS

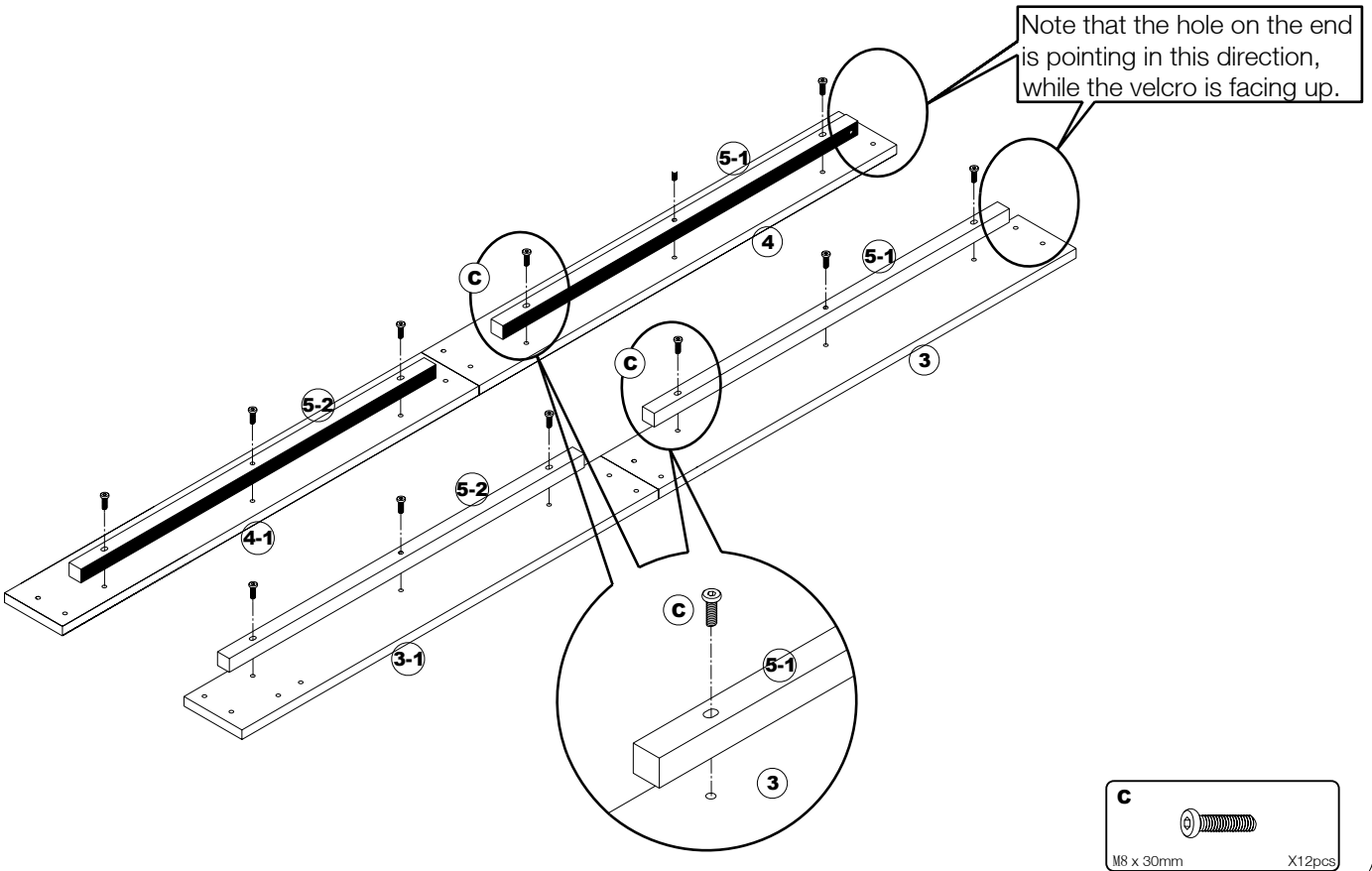
<p><b>10</b></p>  <p><b>1pc</b></p>	<p><b>11</b></p>  <p><b>1pc</b></p>		
<p><b>12</b></p>  <p><b>2pcs</b></p>	<p><b>13</b></p>  <p><b>2pcs</b></p>	<p><b>14</b></p>  <p><b>2pcs</b></p>	<p><b>15</b></p>  <p><b>2pcs</b></p>
<p><b>16</b></p>  <p><b>1pc</b></p>		<p><b>17</b></p>  <p><b>2pcs</b></p>	<p><b>18</b></p>  <p><b>2pcs</b></p>
<p><b>19</b></p>  <p><b>2pcs</b></p>	<p><b>20</b></p>  <p><b>2pcs</b></p>	<p><b>21</b></p>  <p><b>2pcs</b></p>	<p><b>22</b></p>  <p><b>1pc</b></p>
<p><b>23</b></p>  <p><b>1pc</b></p>	<p><b>24</b></p>  <p><b>1pc</b></p>	<p><b>A</b></p>  <p><b>M8x50</b></p> <p><b>4pcs</b></p>	<p><b>B</b></p>  <p><b>M8x40</b></p> <p><b>22pcs</b></p>
<p><b>C</b></p>  <p><b>M8x30</b></p> <p><b>12pcs</b></p>	<p><b>D</b></p>  <p><b>M8x15</b></p> <p><b>32pcs</b></p>	<p><b>E</b></p>  <p><b>M6x25</b></p> <p><b>6pcs</b></p>	<p><b>F</b></p>  <p><b>M5 allen key</b></p> <p><b>1pc</b></p>

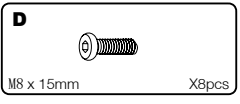
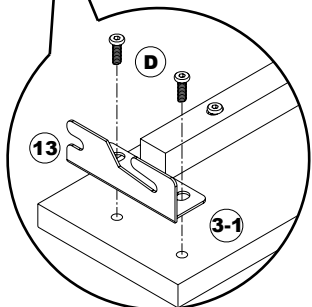
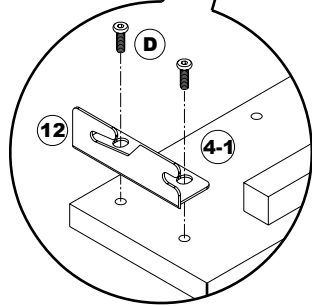
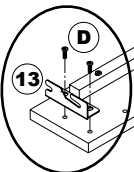
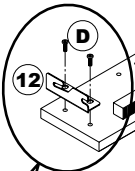
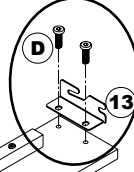
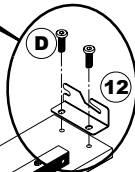
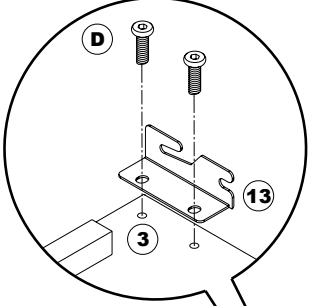
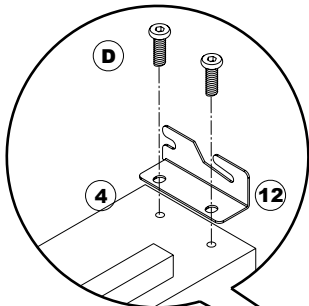
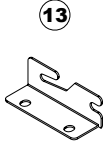
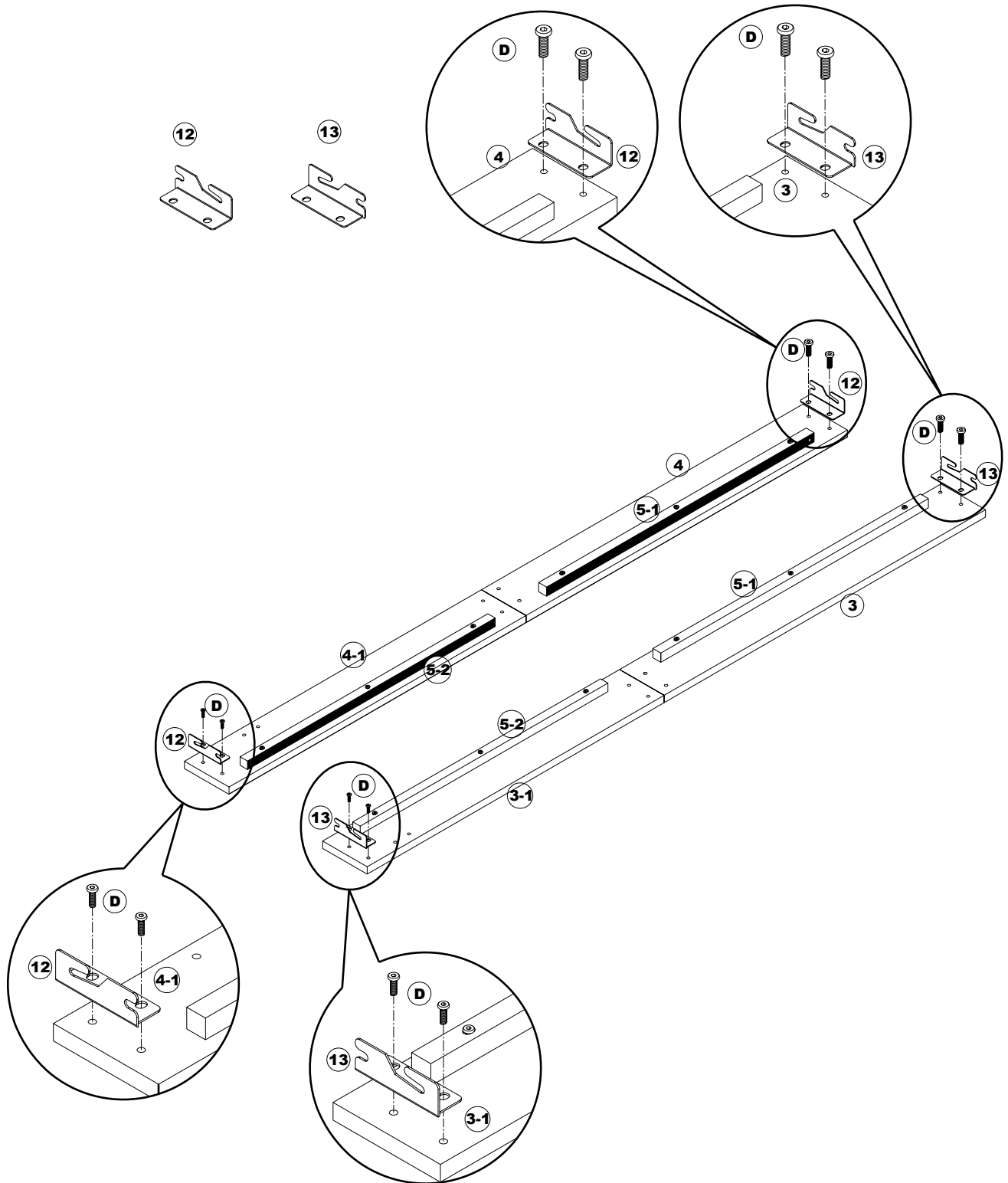
# ASSEMBLY INSTRUCTIONS

1



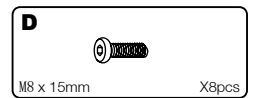
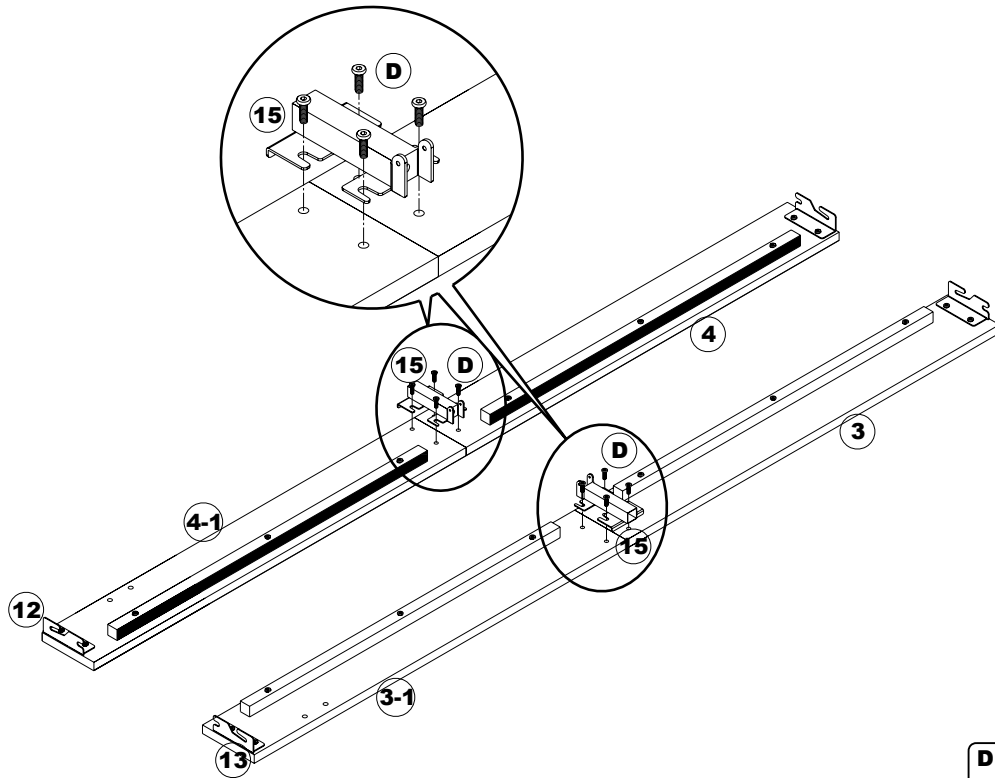
2





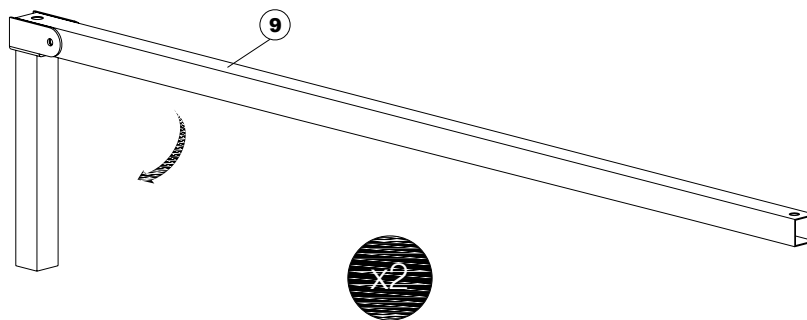
# ASSEMBLY INSTRUCTIONS

4



5

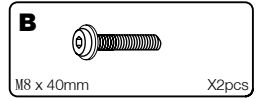
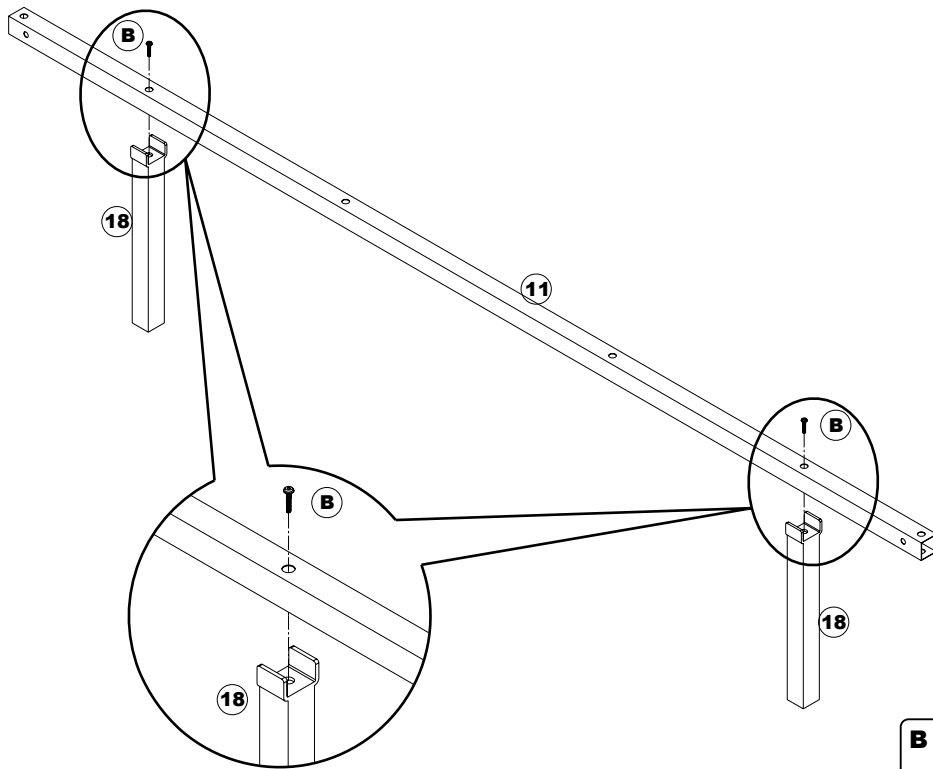
**WARNING!**  
Moving parts can crush or cut.  
Keep fingers, hands, and feet away to avoid injury.



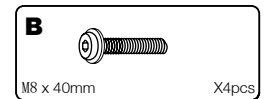
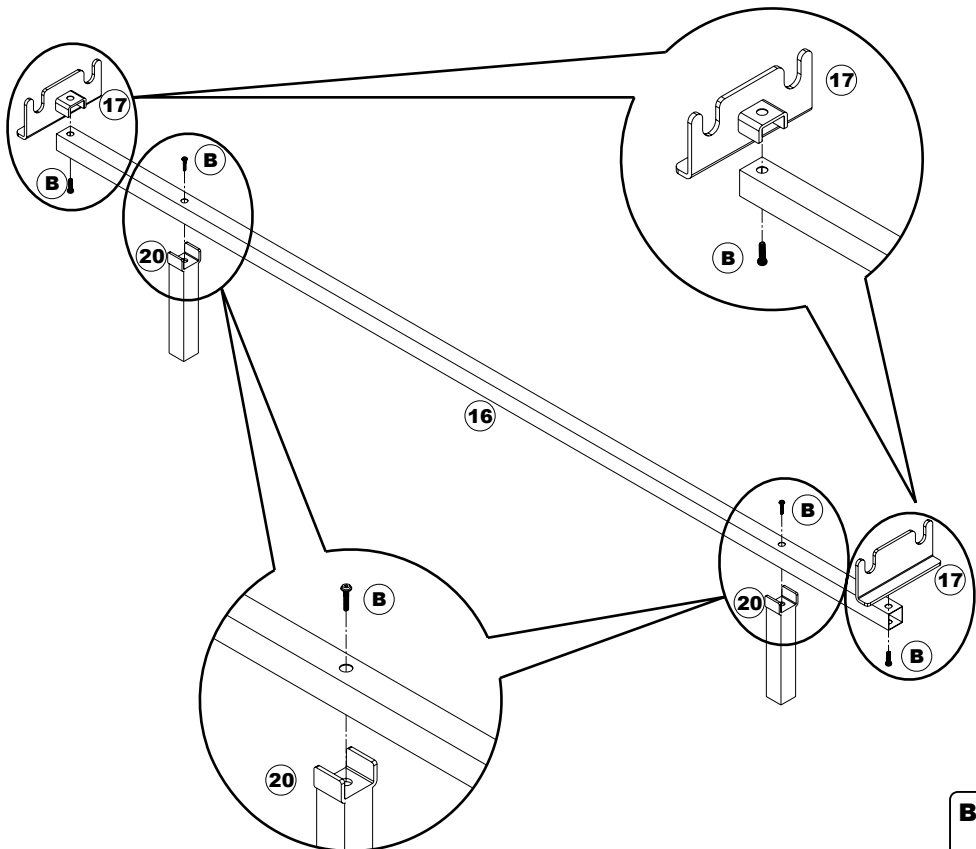


# ASSEMBLY INSTRUCTIONS

6

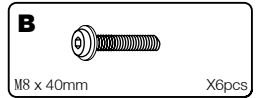
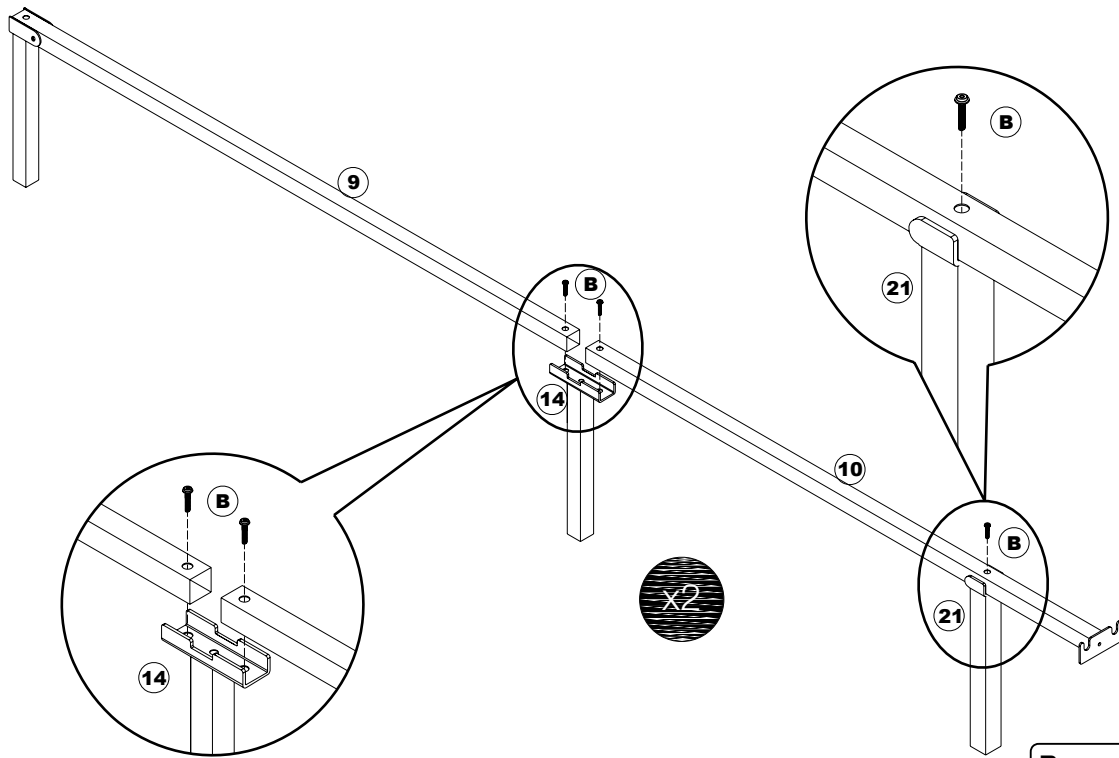


7

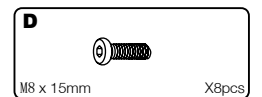
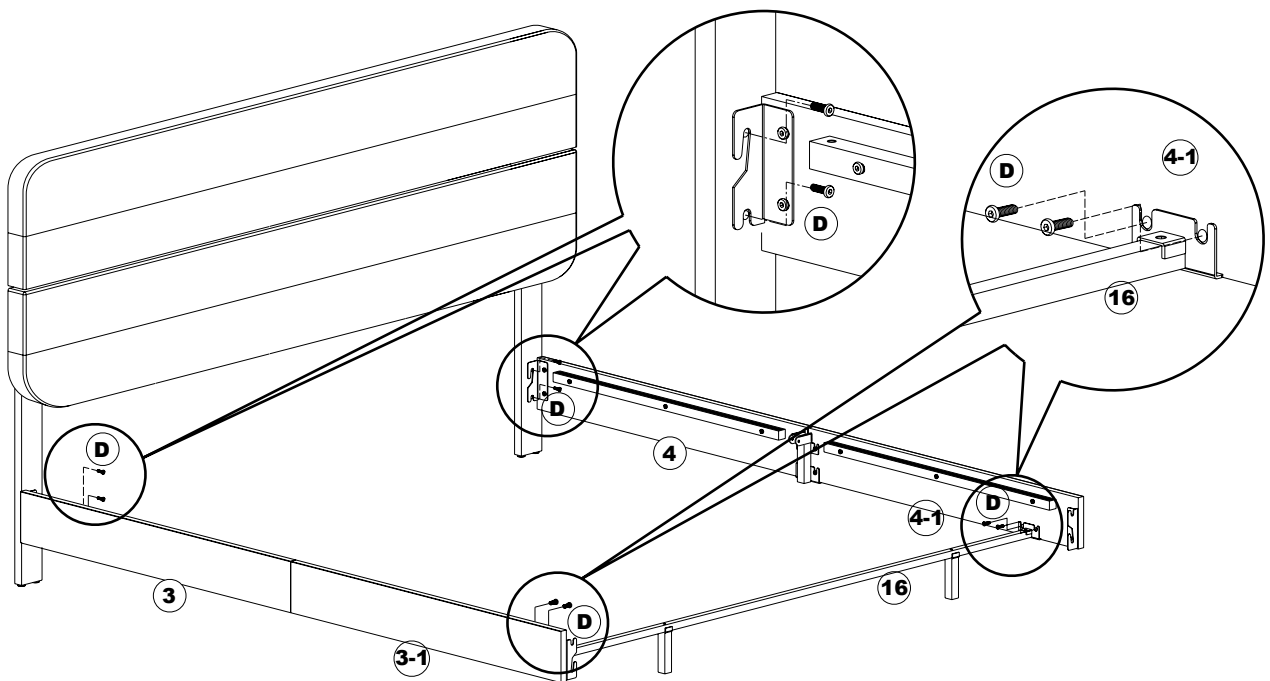


# ASSEMBLY INSTRUCTIONS

8

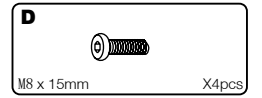
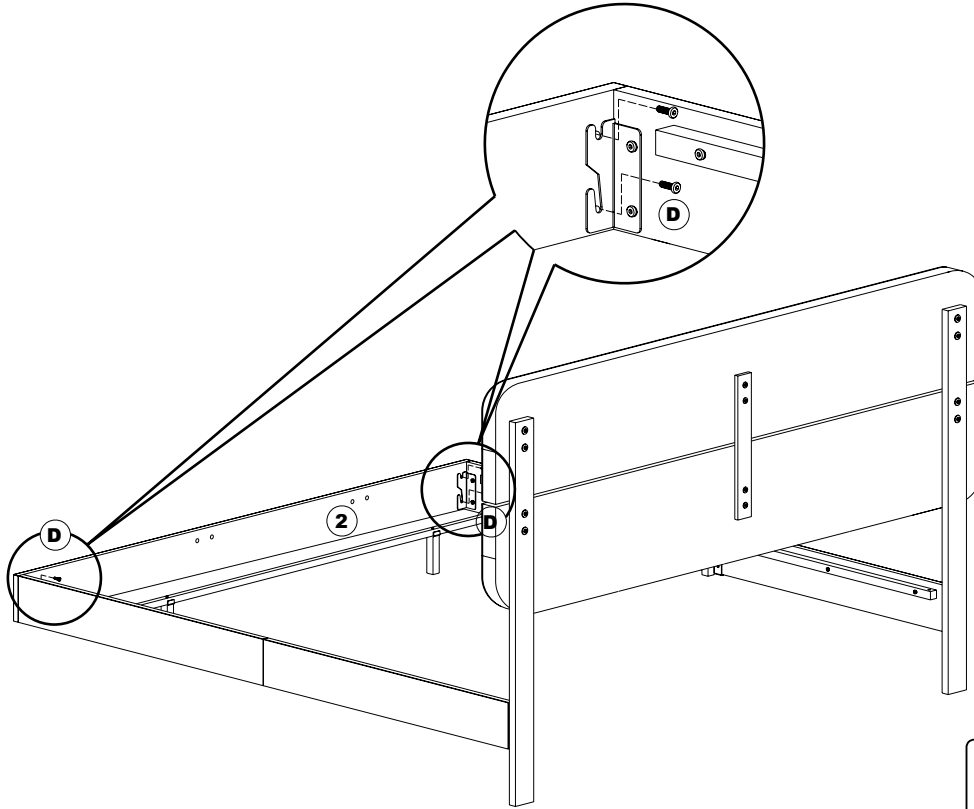


9

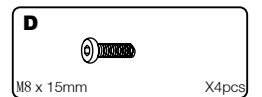
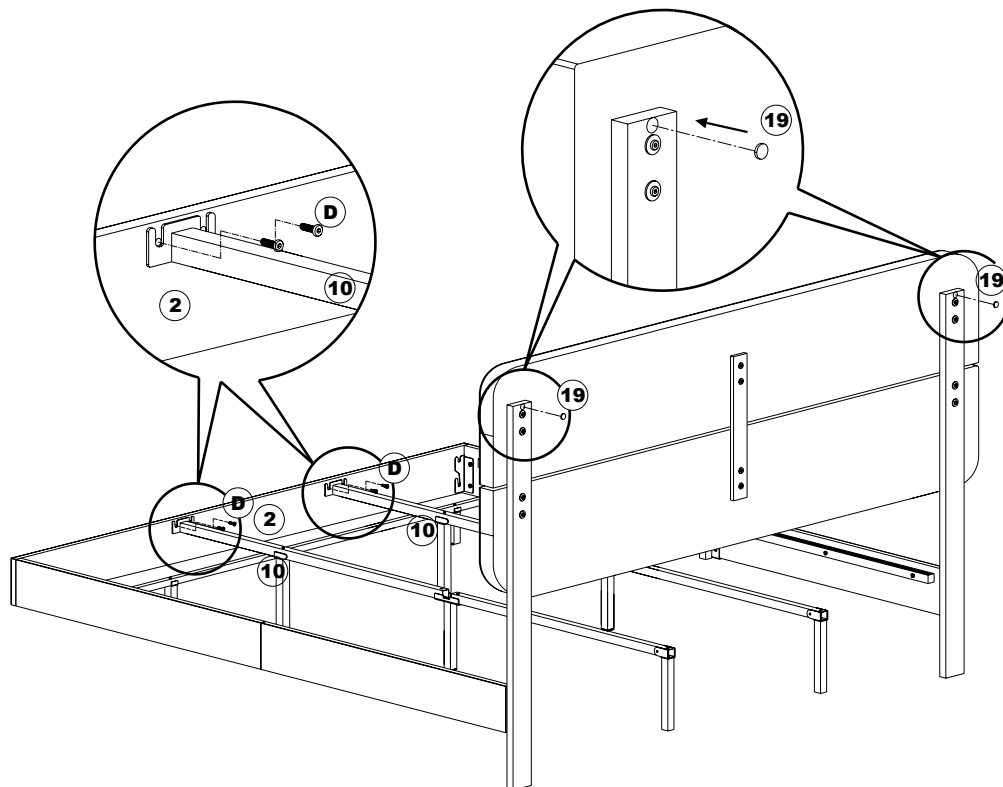


# ASSEMBLY INSTRUCTIONS

10

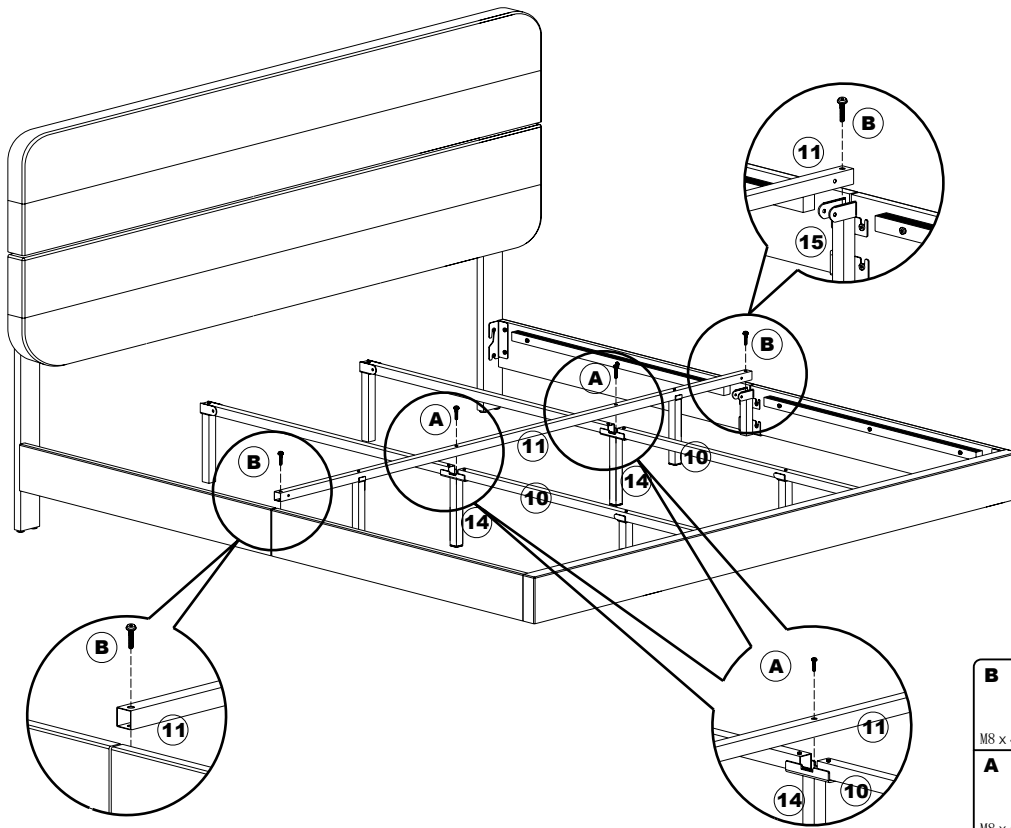


11



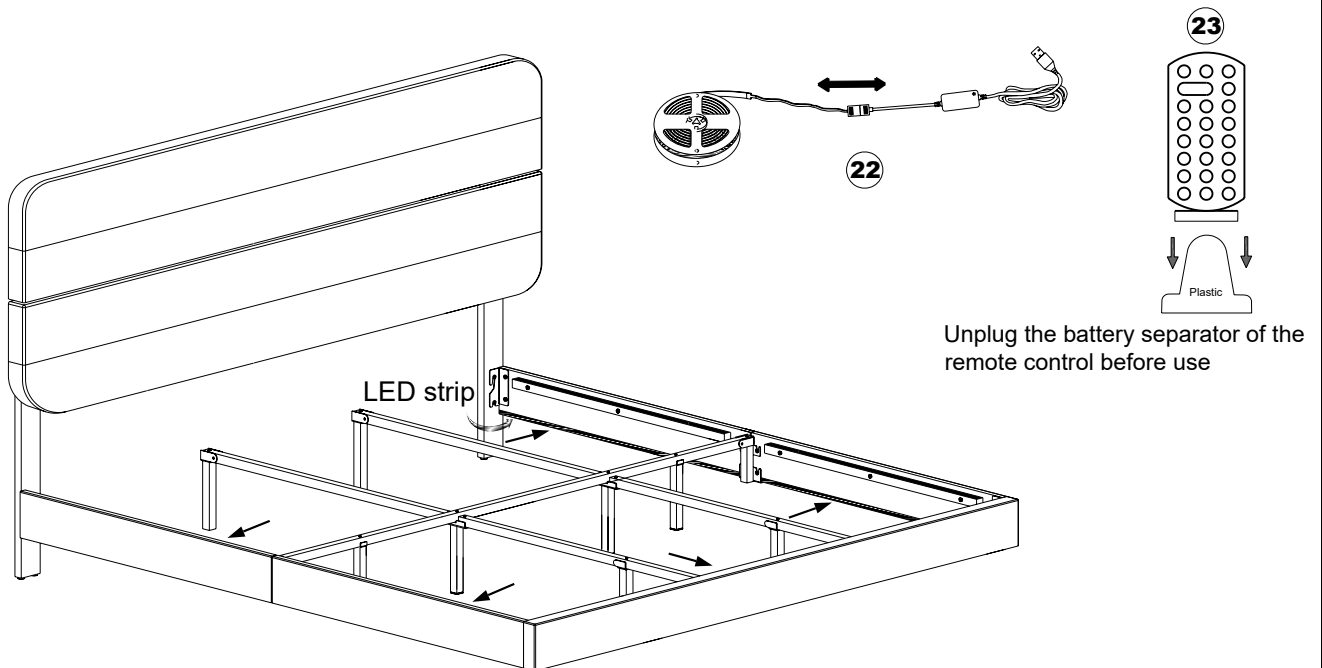
# ASSEMBLY INSTRUCTIONS

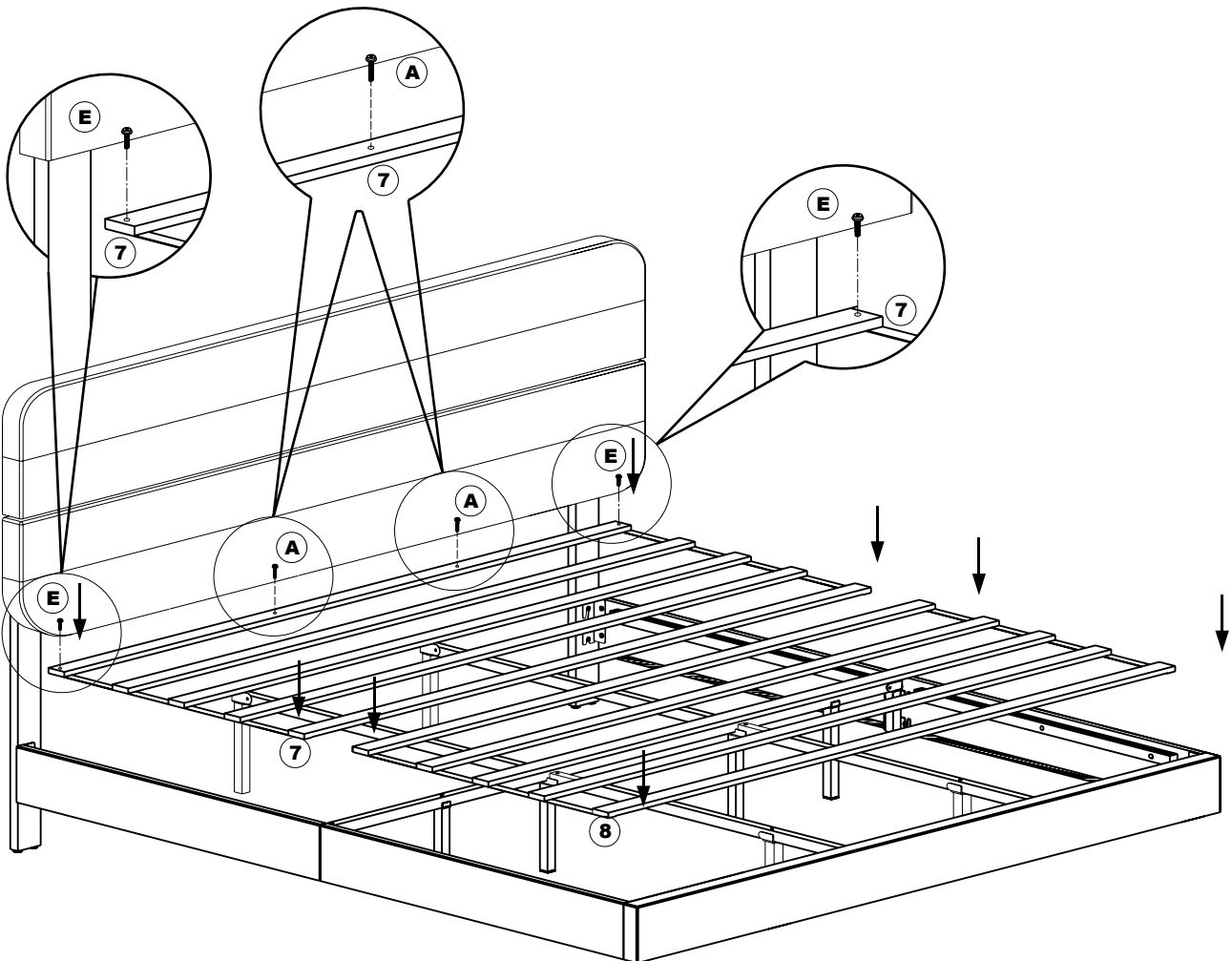
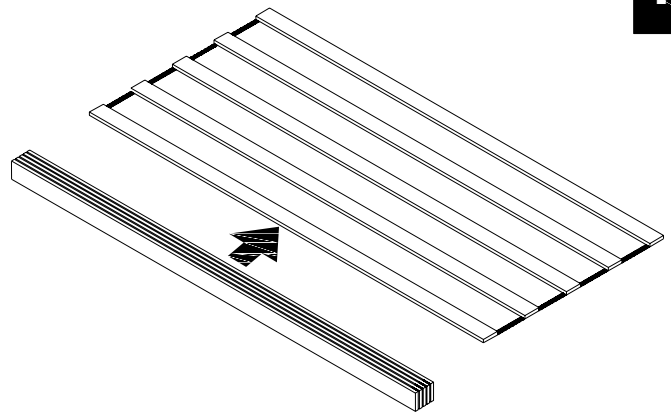
12





13

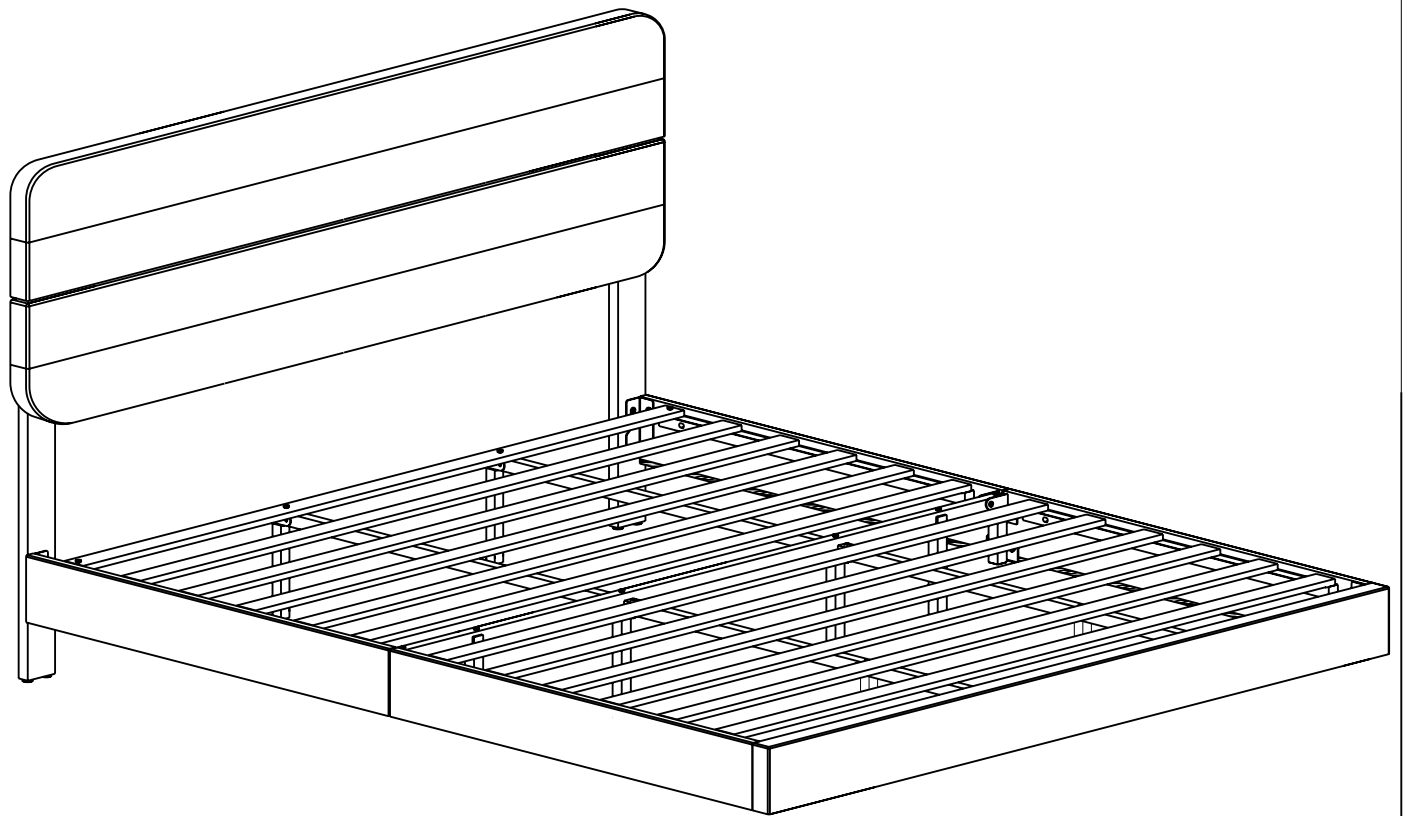
Attach the LED strip to the back of the bed frame as per diagram.





<b>E</b>		M6 x 25mm	X2pcs
<b>A</b>		M8 x 50mm	X2pcs

# ASSEMBLY INSTRUCTIONS



Installation Complete