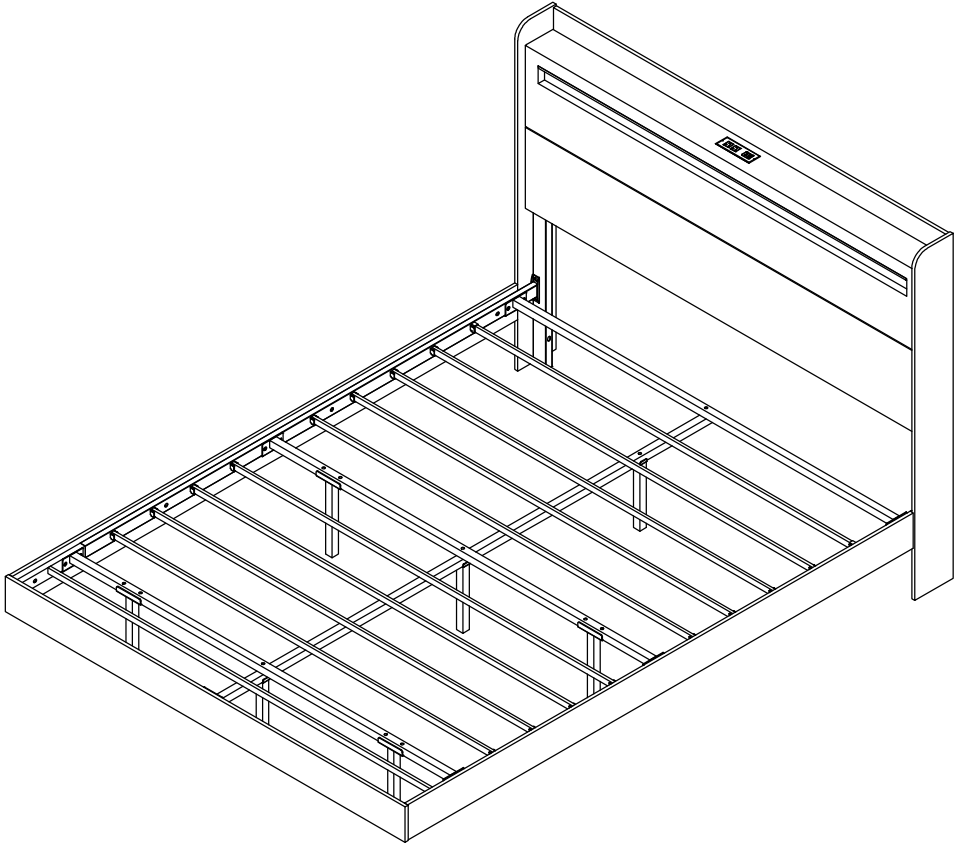


## Upholstered Platform Bed

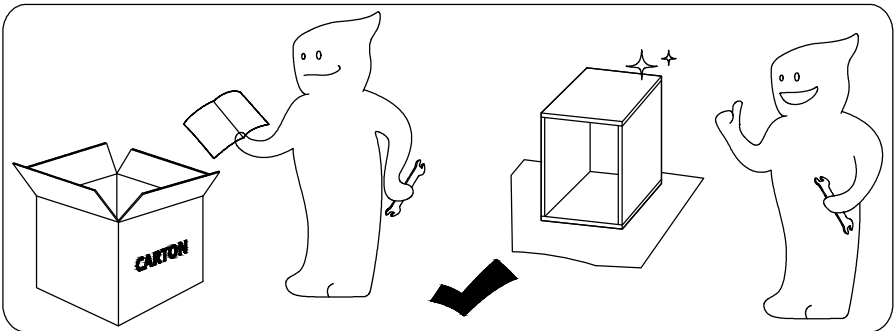
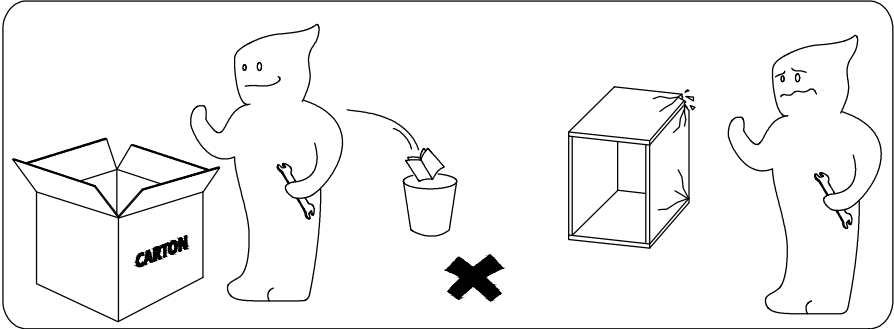


Dear Customers,

Thank you for purchasing our product. Please read this instruction manual carefully after receiving this product. It will help you assemble this product quickly, safely and correctly. You can keep this manual for future reference.

## ! IMPORTANT

Please follow the instruction manuals and use a pad to protect the product during your assembly.



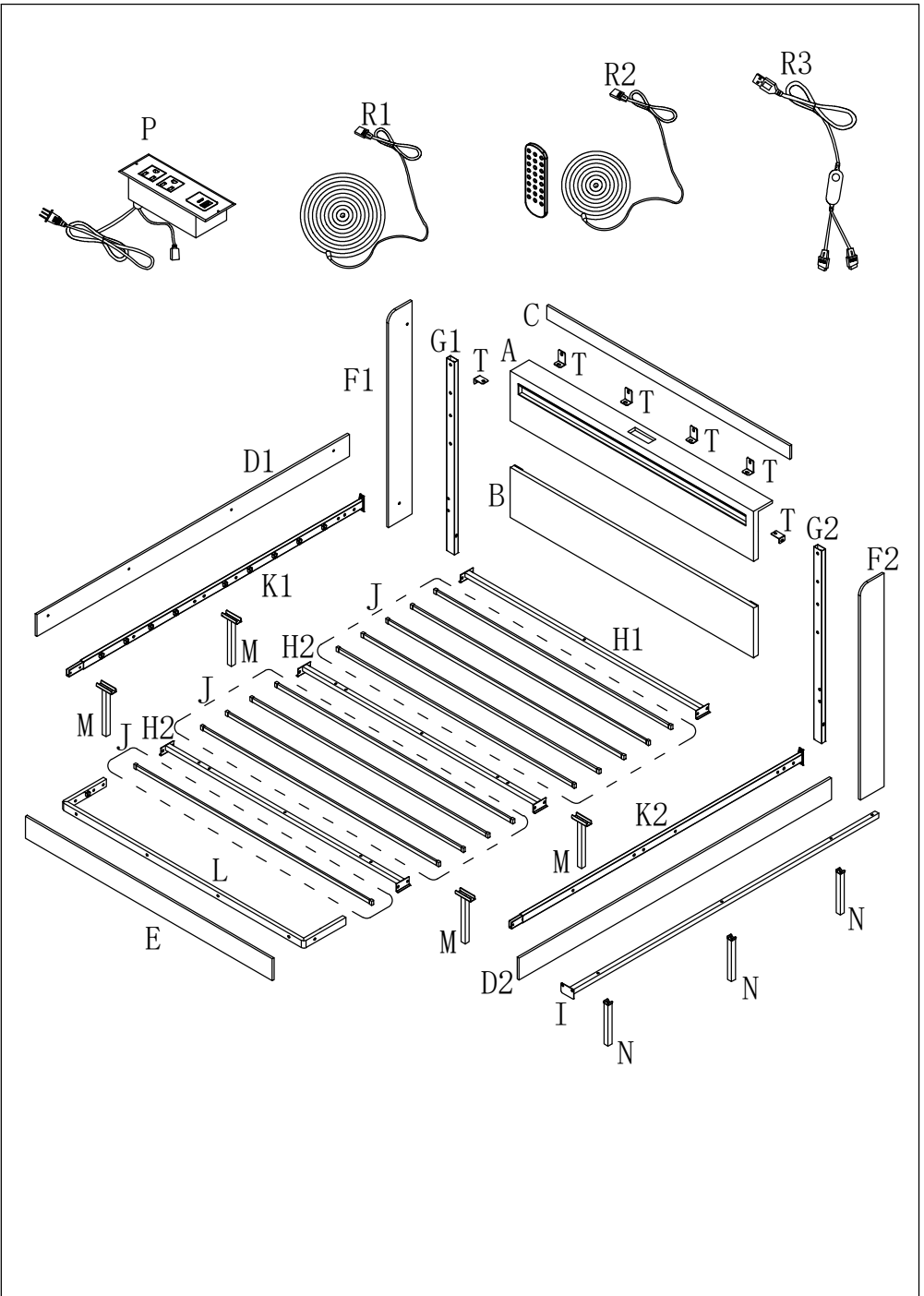
### Note:

1. Should be assembled on flat ground to keep balance.
2. Before completing the installation, do not tighten the screws.



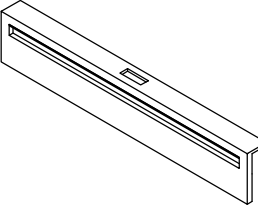
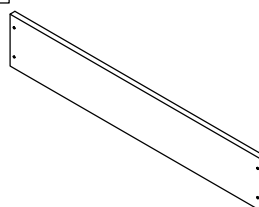
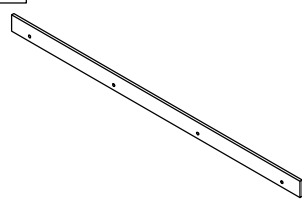
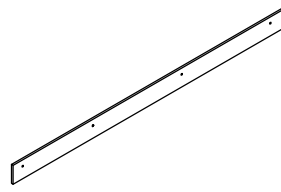
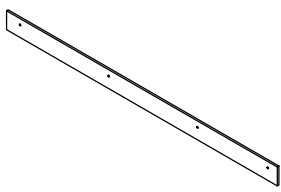
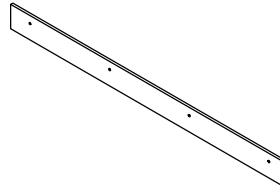




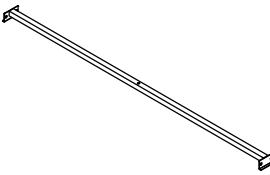
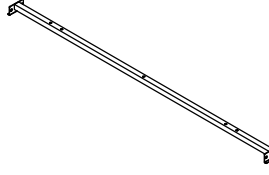
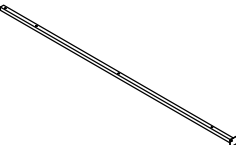
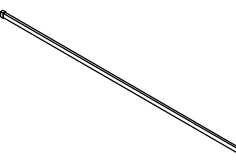
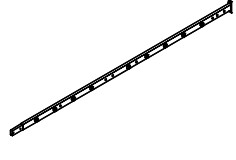
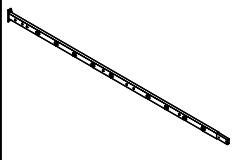
For easier and better assembly, 2 or more adults are required.

# ASSEMBLY INSTRUCTIONS



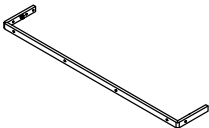
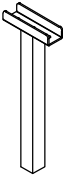


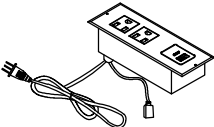
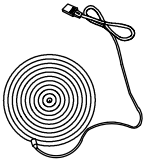
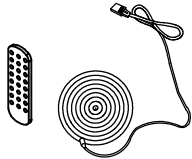
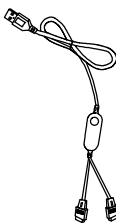
# ASSEMBLY INSTRUCTIONS

## Part list

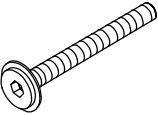
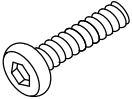
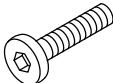
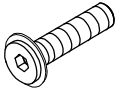
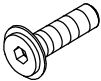
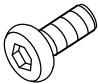
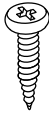


|  |   |  |   |
|--|---|--|---|
| <b>A</b> 1PC<br>    | <b>B</b> 1PC<br>     | <b>C</b> 1PC<br>     |   |
| <b>D1</b> 1PC<br>    | <b>D2</b> 1PC<br>    | <b>E</b> 1PC<br>     |   |
| <b>F1</b> 1PC<br>   | <b>F2</b> 1PC<br>    | <b>G1</b> 1PC<br>    |   |
| <b>G2</b> 1PC<br> | <b>H1</b> 1PC<br>  | <b>H2</b> 2PCS<br> |   |
| <b>I</b> 1PC<br>   | <b>J</b> 10PCS<br> | <b>K1</b> 1PC<br>   | <b>K2</b> 1PC<br> |

# ASSEMBLY INSTRUCTIONS

## Part list

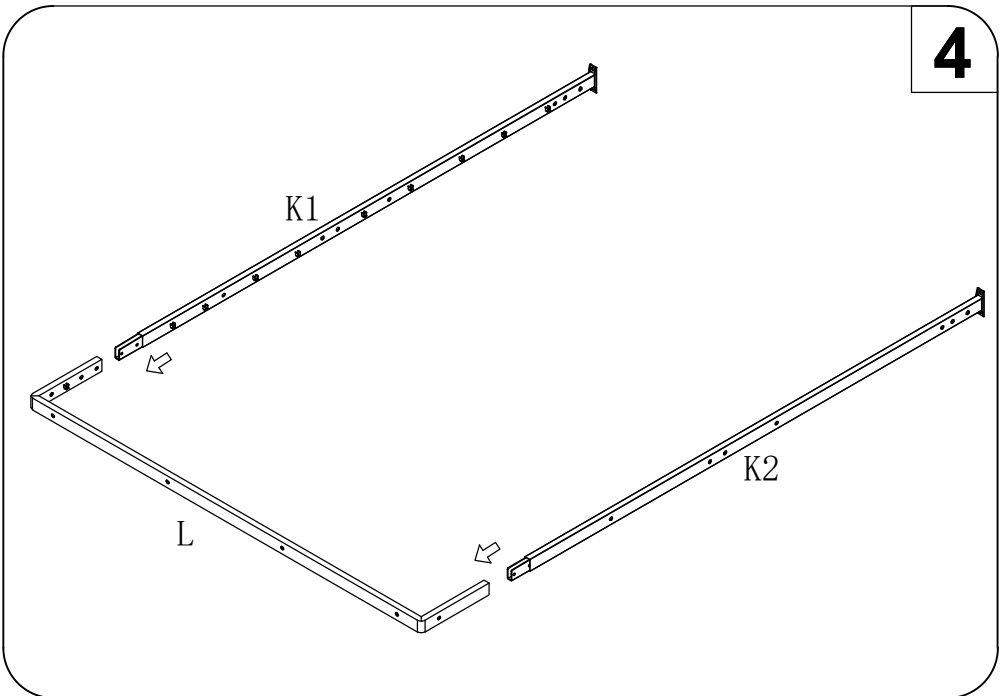
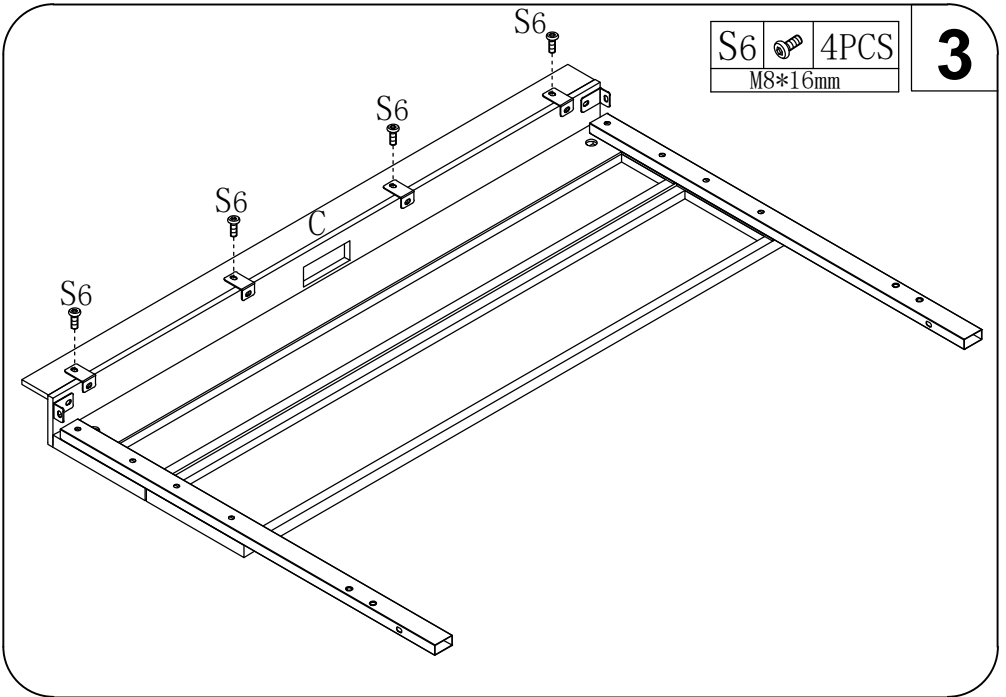
|  |     |   |      |   |      |   |      |
|--|-----|---|------|---|------|---|------|
| L  | 1PC | M   | 4PCS | N   | 3PCS | T   | 6PCS |
|  |     |  |      |  |      |  |      |
| P  | 1PC | R1  | 1PC  | R2  | 1PC  | R3  | 1PC  |
|  |     |  |      |  |      |  |      |

## Hardware list

|   |      |   |       |   |      |   |       |
|---|------|---|-------|---|------|---|-------|
| S1  | 5PCS | S2  | 8PCS  | S3  | 9PCS | S4  | 16PCS |
|     |      |    |       |    |      |   |       |
| M8*65mm   |      | M8*55mm   |       | M8*40mm   |      | M8*32mm   |       |
| S5  | 8PCS | S6  | 18PCS | S7  | 2PCS | X   | 8PCS  |
|  |      |  |       |  |      |  |       |
| M8*22mm   |      | M8*16mm   |       | M3*15mm   |      | φ22*φ8.5  |       |
| Y   | 1PC  |   |       |   |      |   |       |
|  |      |   |       |   |      |   |       |
| M8 Spanner  |      |   |       |   |      |   |       |

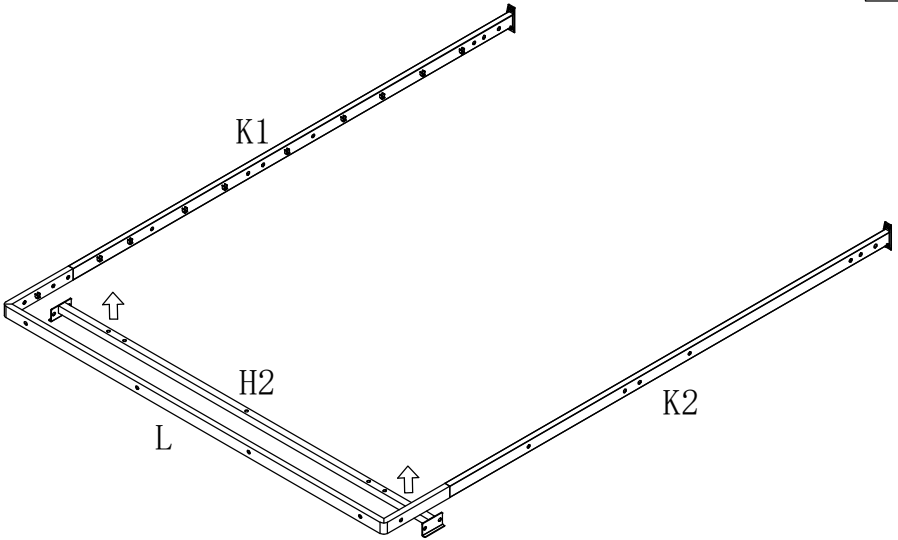


# ASSEMBLY INSTRUCTIONS



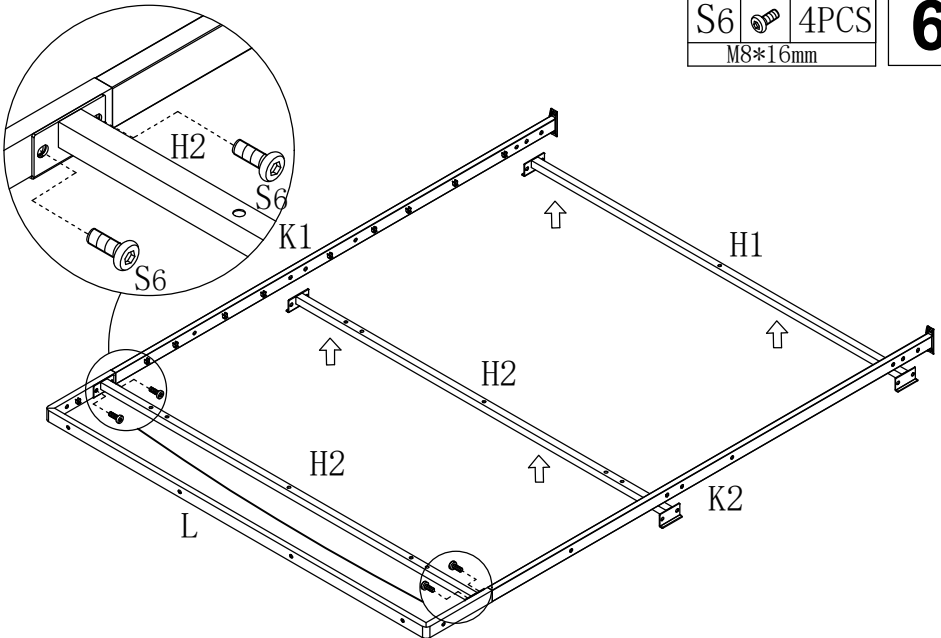
# ASSEMBLY INSTRUCTIONS

**5**




**6**

|         |   |      |
|---------|---|------|
| S6      |  | 4PCS |
| M8*16mm |   |      |

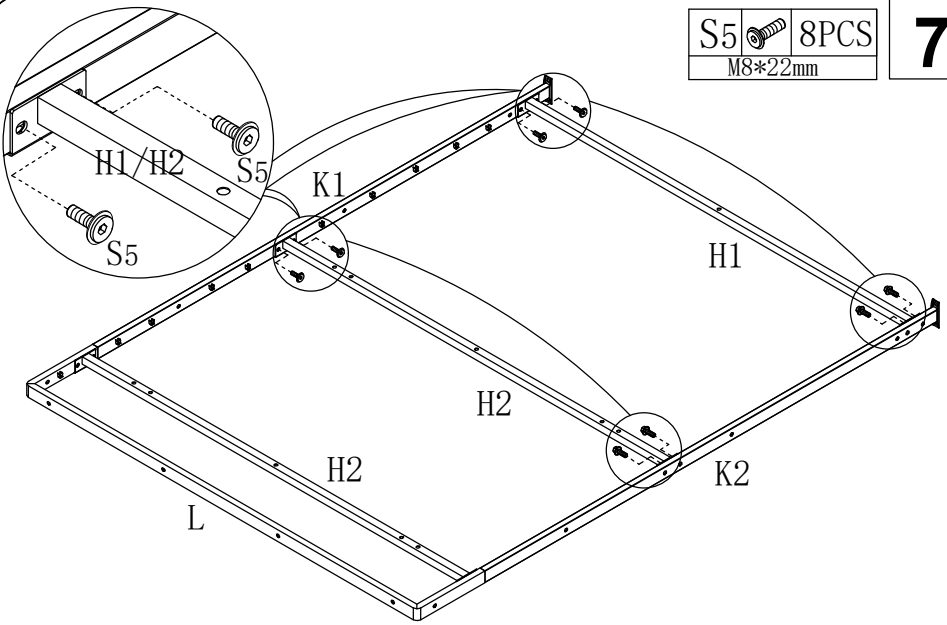





# ASSEMBLY INSTRUCTIONS

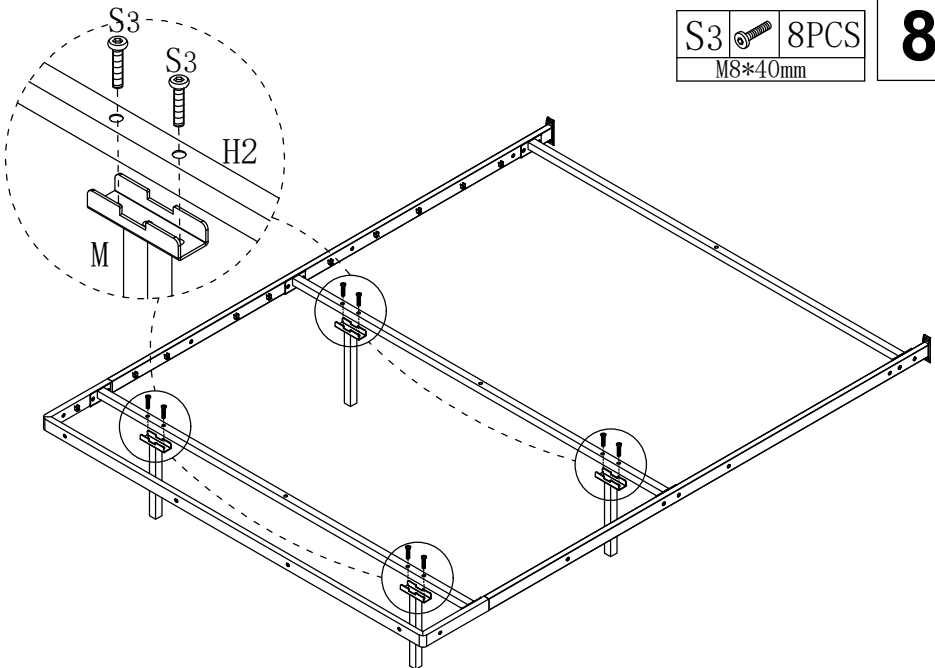
|         |   |      |
|---------|---|------|
| S5      |  | 8PCS |
| M8*22mm |   |      |

## 7

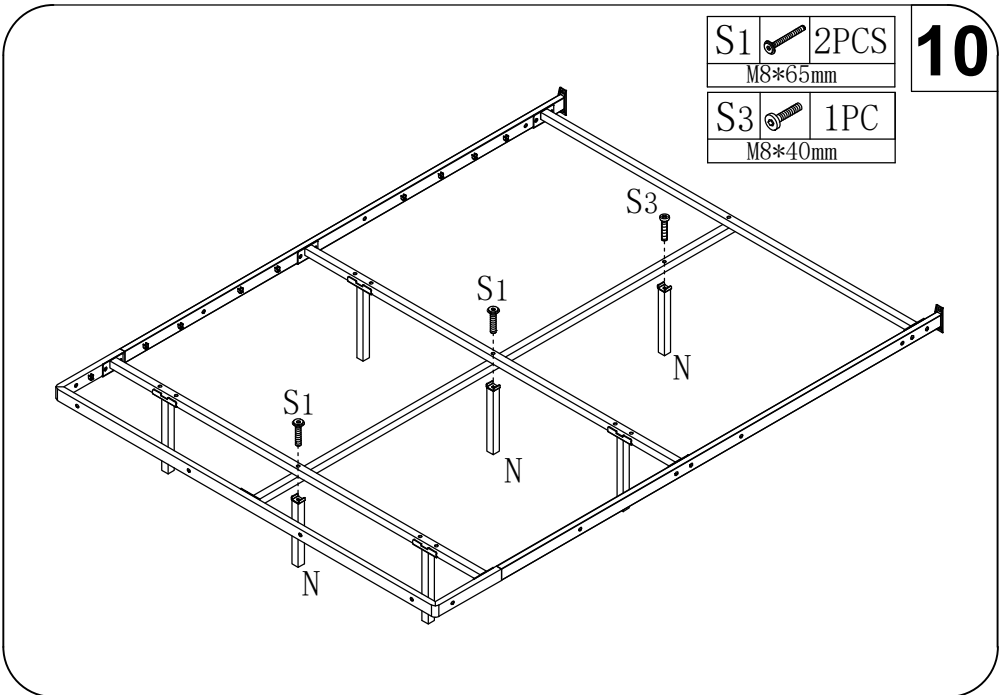
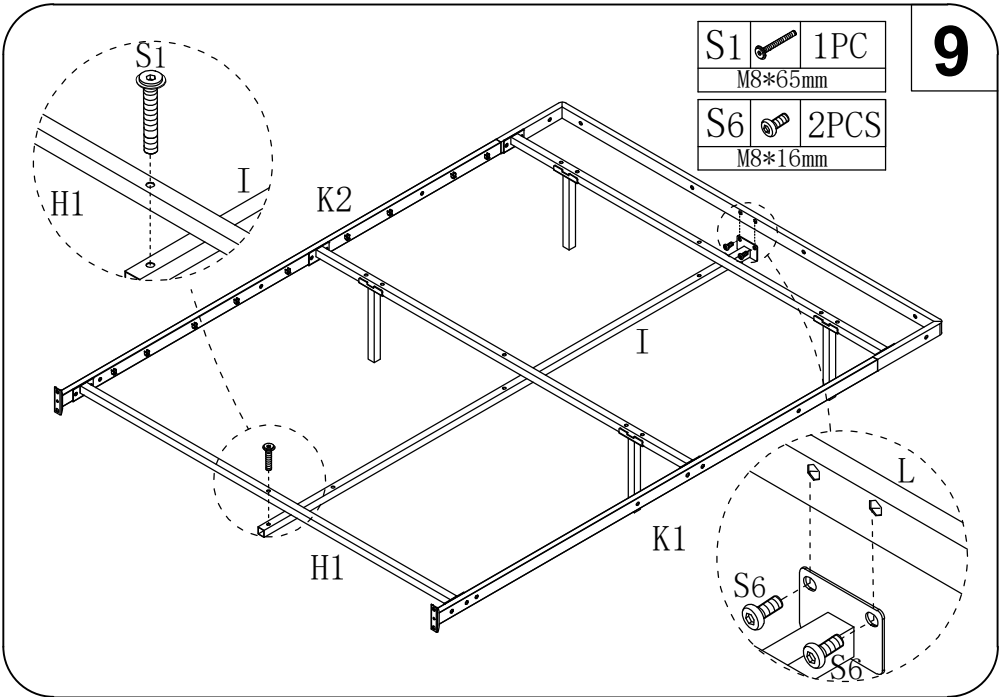


|         |   |      |
|---------|---|------|
| S3      |  | 8PCS |
| M8*40mm |   |      |


## 8



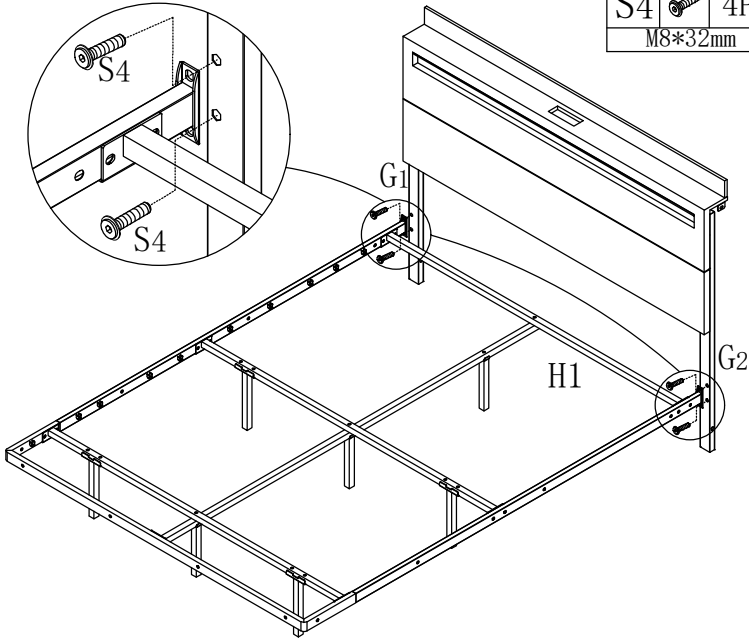
# ASSEMBLY INSTRUCTIONS




# ASSEMBLY INSTRUCTIONS

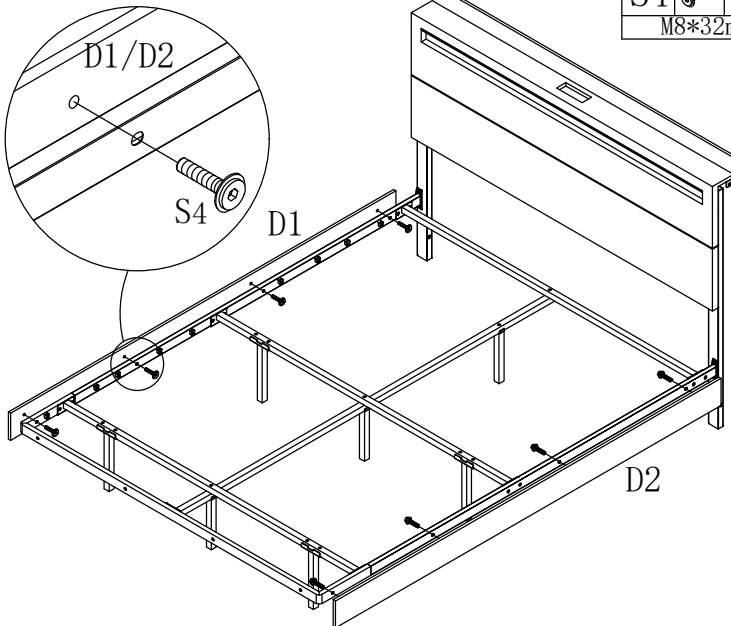
|         |   |      |
|---------|---|------|
| S4      |  | 4PCS |
| M8*32mm |   |      |

# 11




|         |   |      |
|---------|---|------|
| S4      |  | 8PCS |
| M8*32mm |   |      |

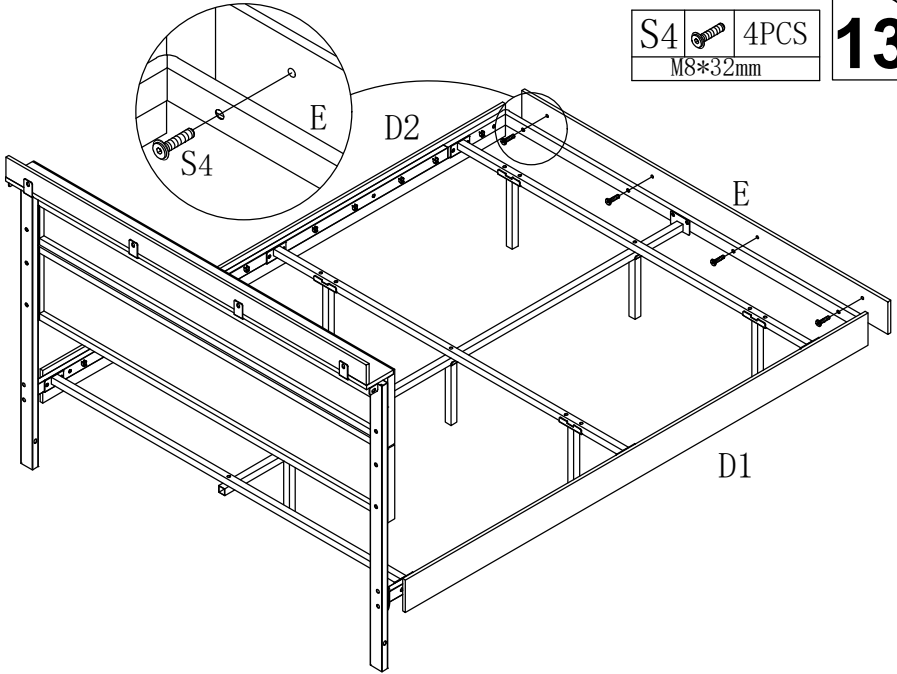
# 12




# ASSEMBLY INSTRUCTIONS

|         |   |      |
|---------|---|------|
| S4      |  | 4PCS |
| M8*32mm |   |      |

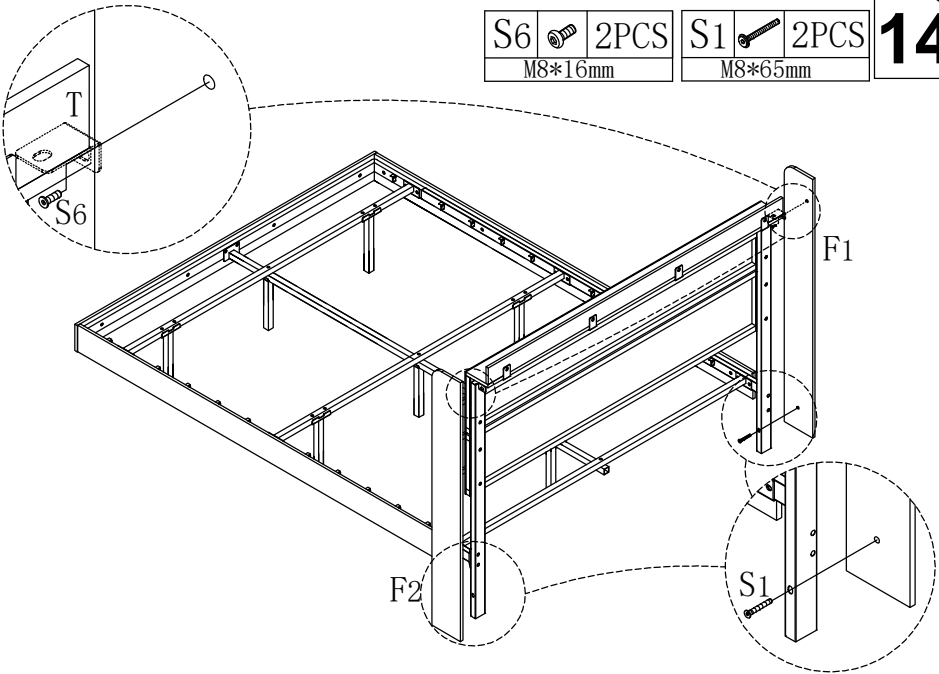
## 13



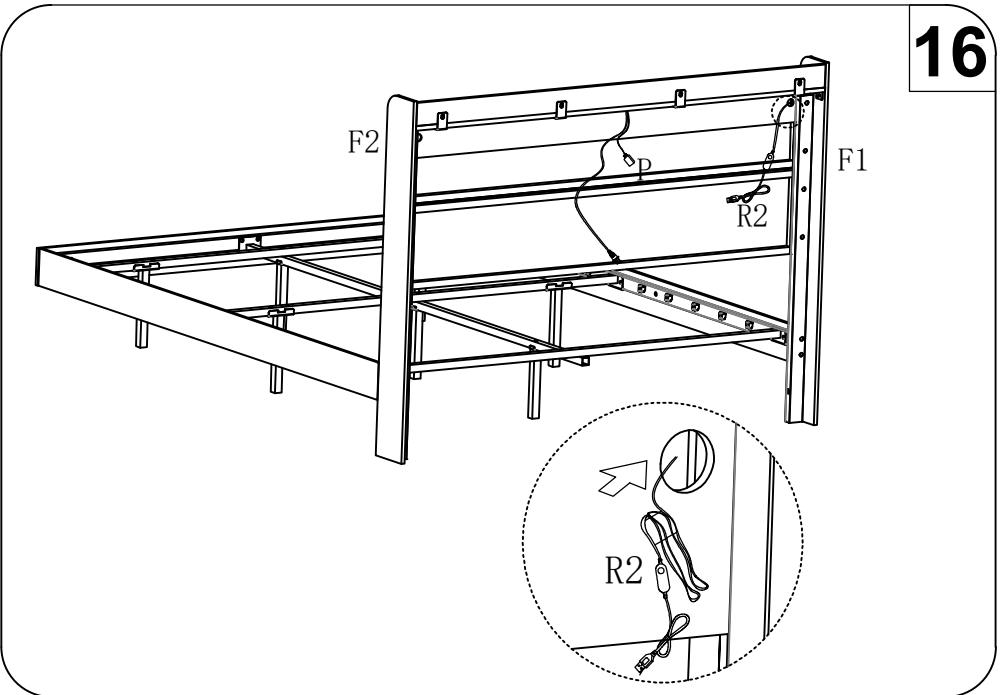
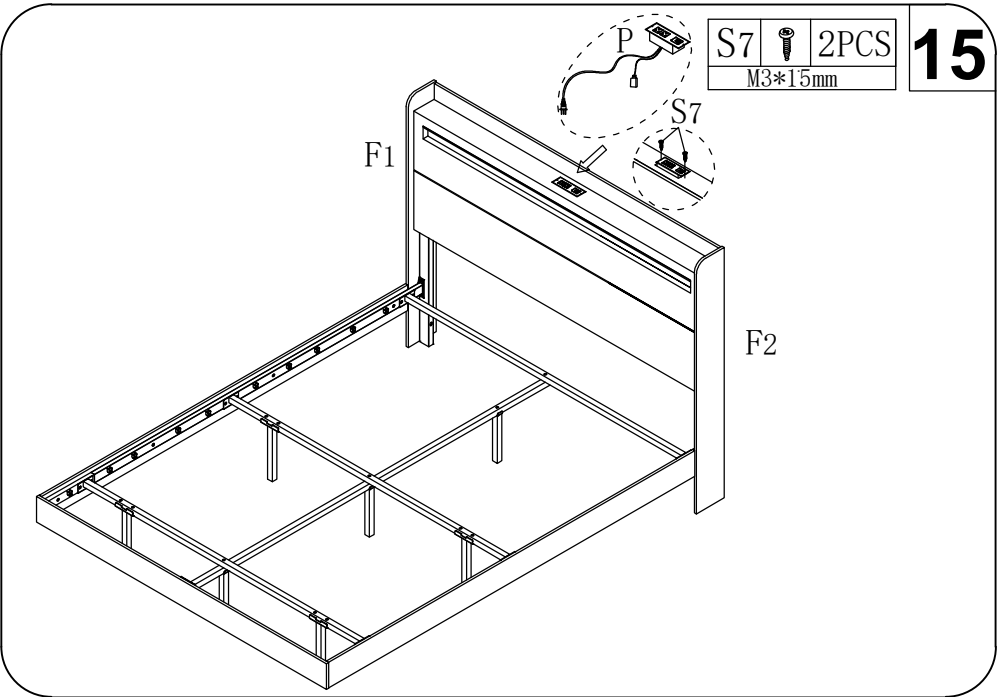
|         |   |      |
|---------|---|------|
| S6      |  | 2PCS |
| M8*16mm |   |      |

|         |   |      |
|---------|---|------|
| S1      |  | 2PCS |
| M8*65mm |   |      |

## 14

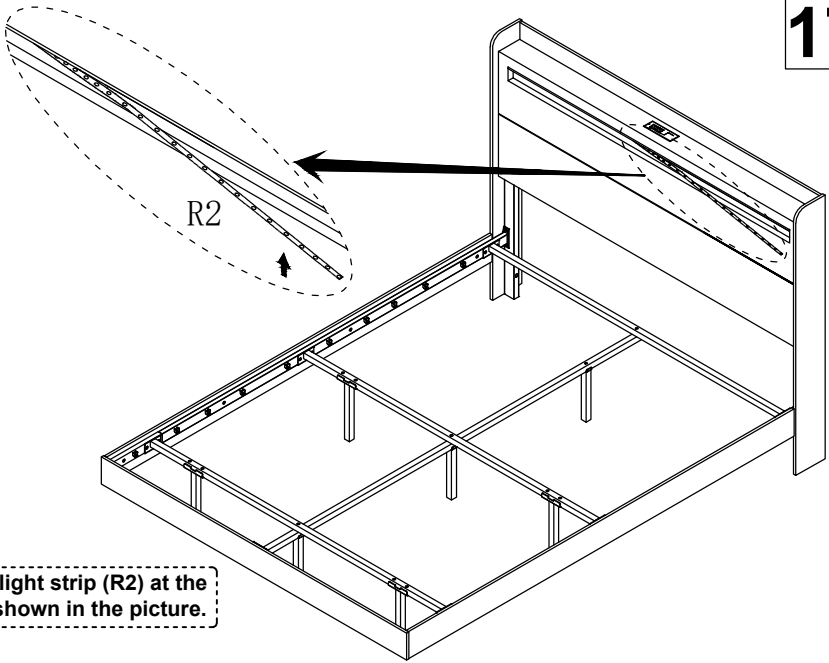


# ASSEMBLY INSTRUCTIONS



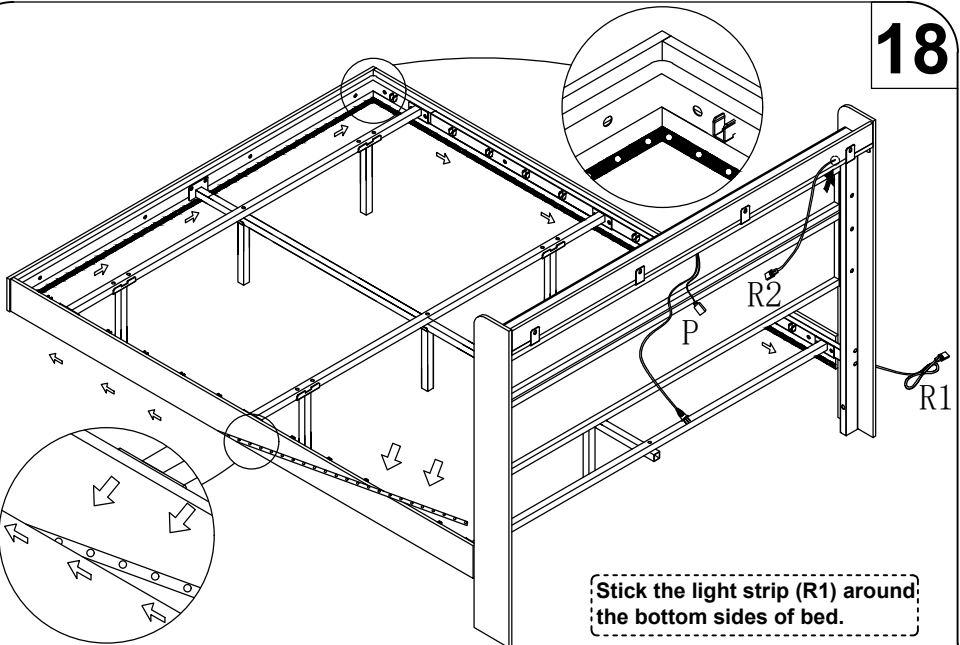
# ASSEMBLY INSTRUCTIONS

17



Stick the light strip (R2) at the position shown in the picture.

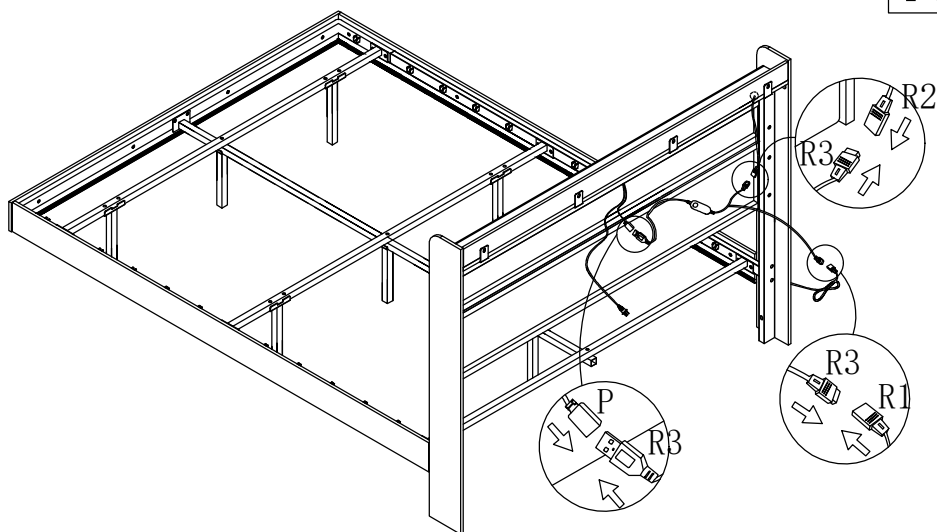
18



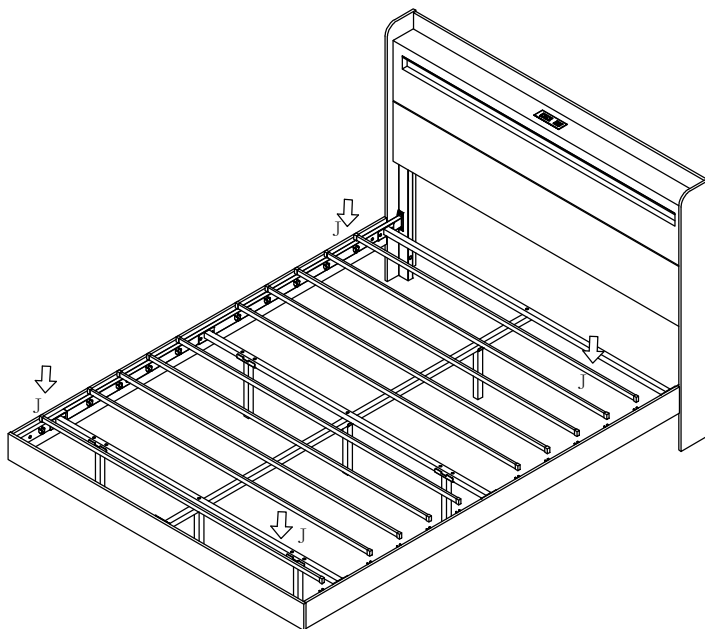
Stick the light strip (R1) around the bottom sides of bed.

# ASSEMBLY INSTRUCTIONS

19

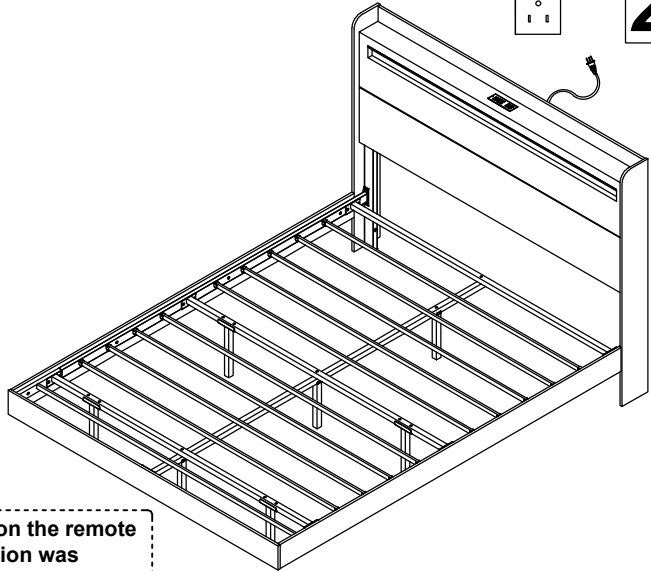
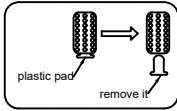


20



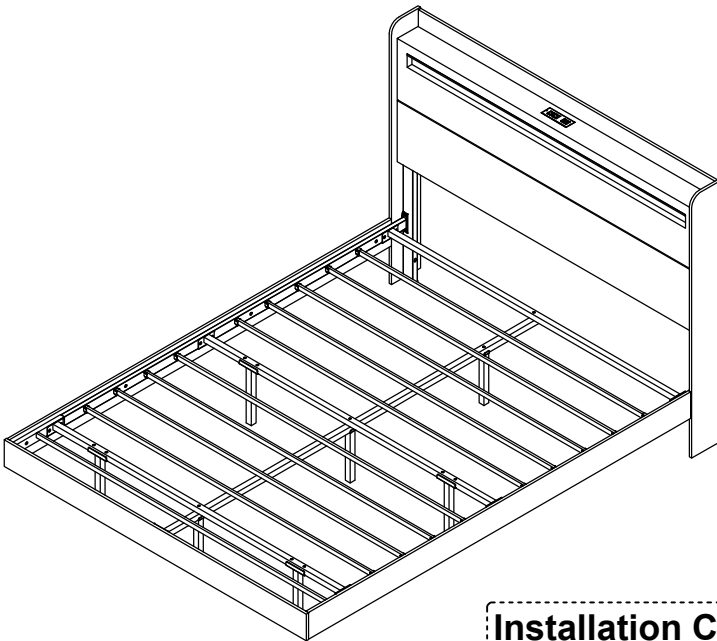
# ASSEMBLY INSTRUCTIONS

21



Remove the plastic pad on the remote control after the installation was completed and start the remote operation without direction restriction.

22



Installation Complete