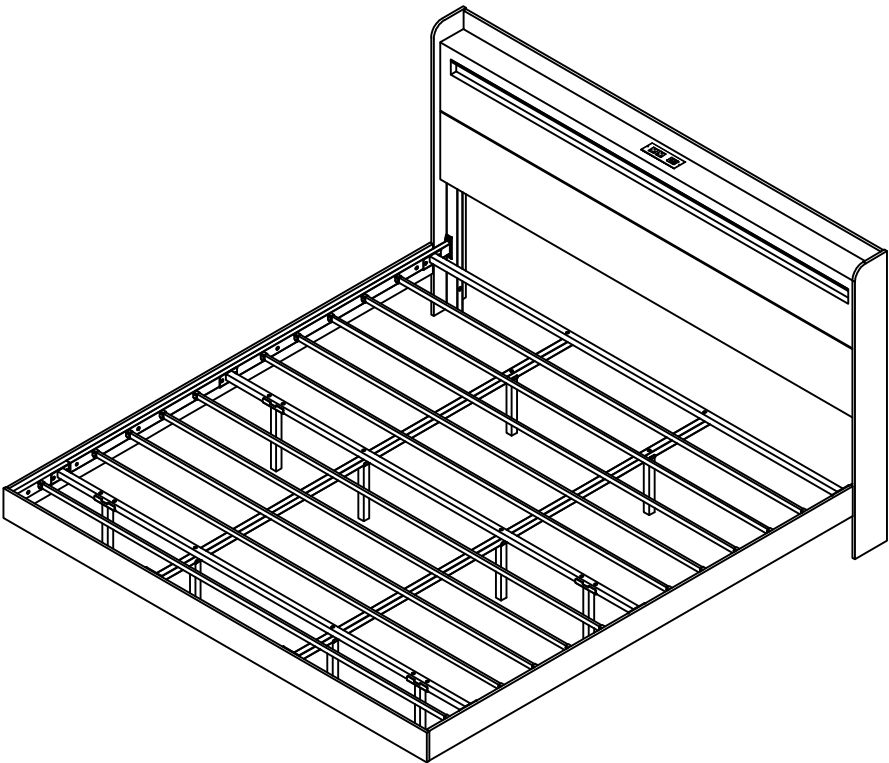


Upholstered Platform Bed

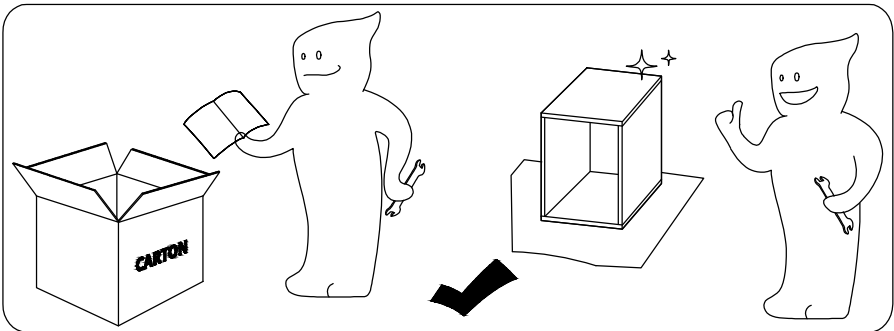
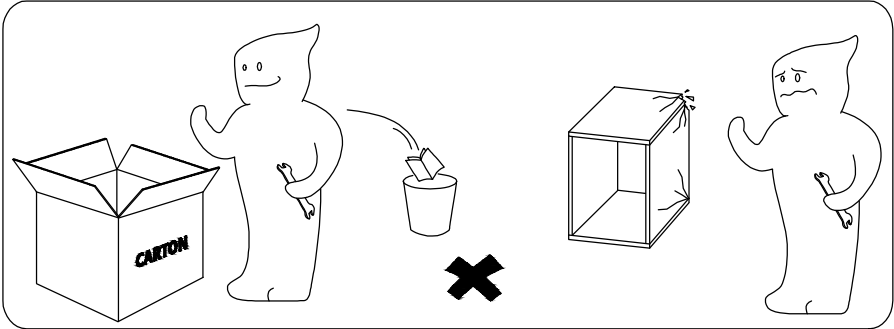


Dear Customers,

Thank you for purchasing our product. Please read this instruction manual carefully after receiving this product. It will help you assemble this product quickly, safely and correctly. You can keep this manual for future reference.

! IMPORTANT

Please follow the instruction manuals and use a pad to protect the product during your assembly.



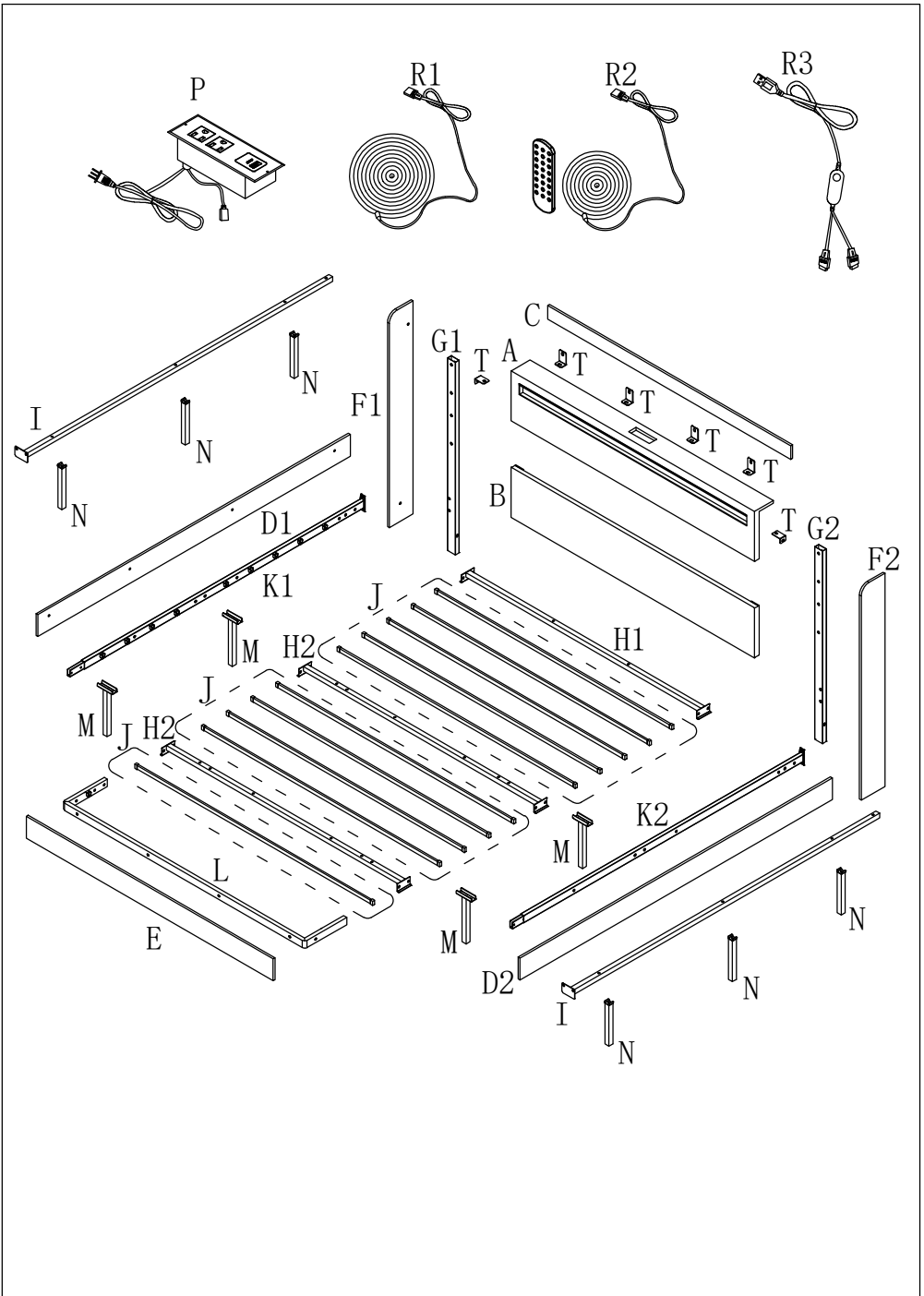
Note:

1. Should be assembled on flat ground to keep balance.
2. Before completing the installation, do not tighten the screws.



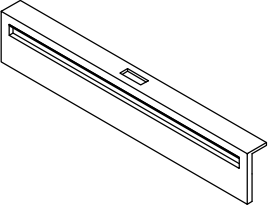
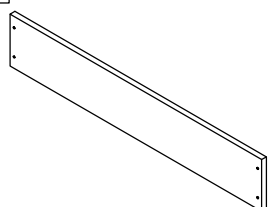
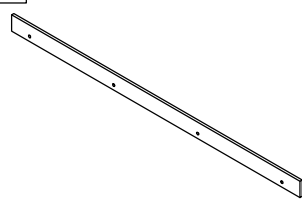
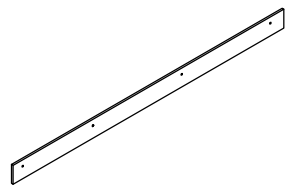
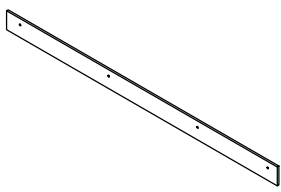
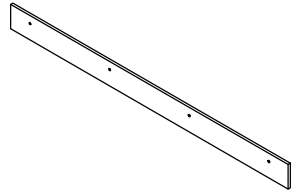




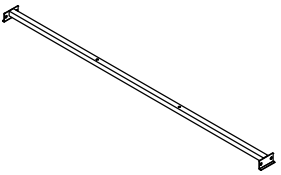
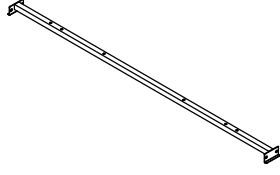
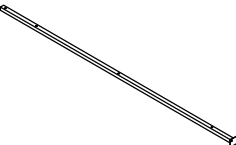
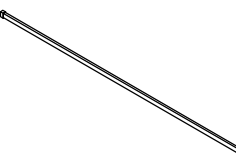

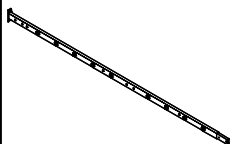
For easier and better assembly, 2 or more adults are required.

ASSEMBLY INSTRUCTIONS



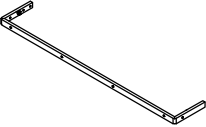
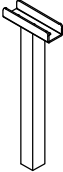


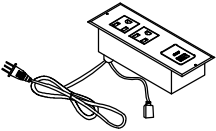
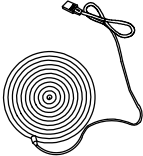
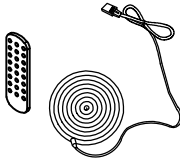
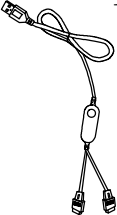
ASSEMBLY INSTRUCTIONS

Part list

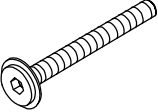
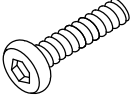
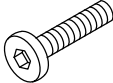
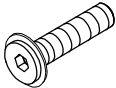
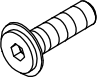
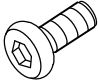
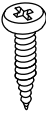


A 1PC 	B 1PC 	C 1PC 	
D1 1PC 	D2 1PC 	E 1PC 	
F1 1PC 	F2 1PC 	G1 1PC 	
G2 1PC 	H1 1PC 	H2 2PCS 	
I 2PCS 	J 10PCS 	K1 1PC 	K2 1PC 

ASSEMBLY INSTRUCTIONS

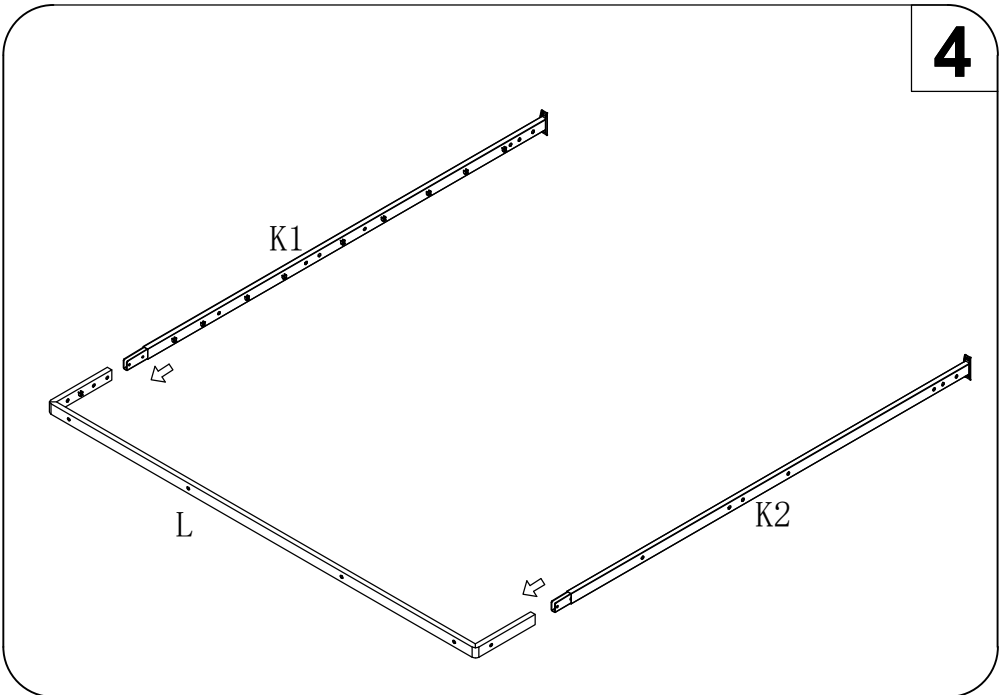
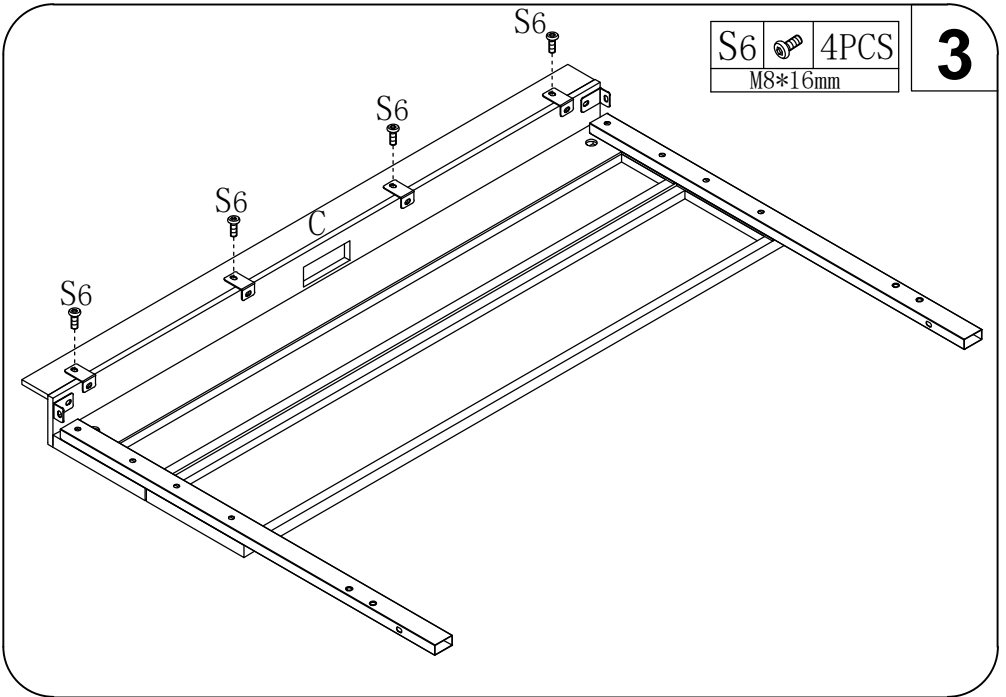
Part list

L	1PC	M	4PCS	N	6PCS	T	6PCS
							
P	1PC	R1	1PC	R2	1PC	R3	1PC
							

Hardware list

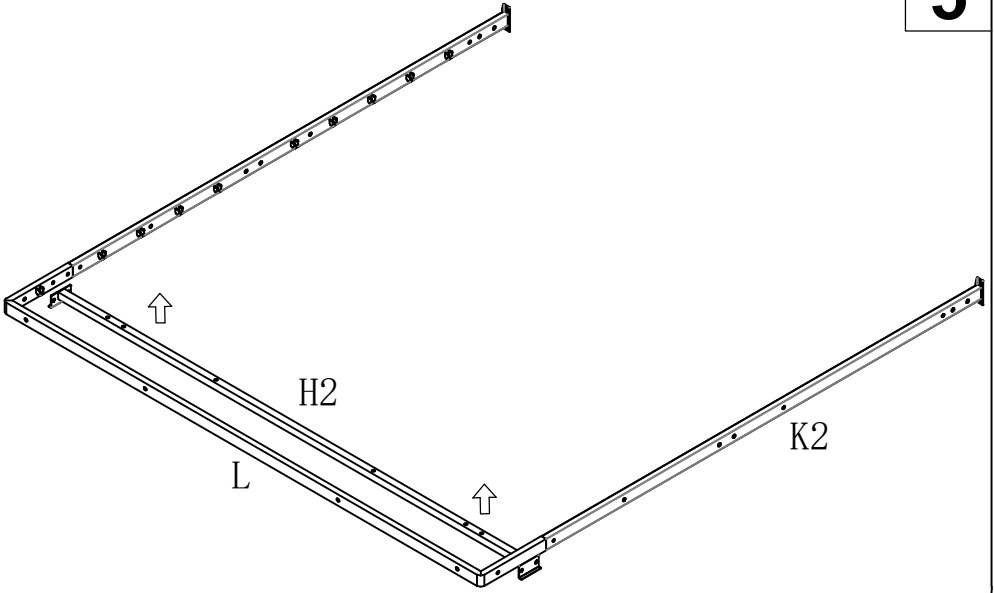
S1	8PCS	S2	8PCS	S3	10PCS	S4	16PCS
							
M8*65mm		M8*55mm		M8*40mm		M8*32mm	
S5	8PCS	S6	20PCS	S7	2PCS	X	8PCS
							
M8*22mm		M8*16mm		M3*15mm		φ22*φ8.5	
Y	1PC						
							
M8 Spanner							

ASSEMBLY INSTRUCTIONS



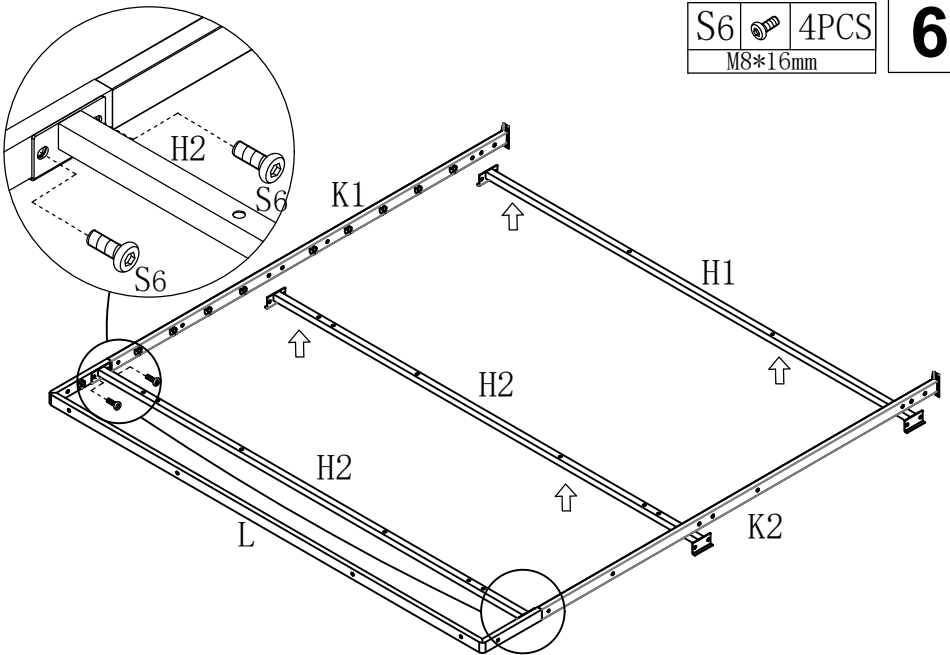
ASSEMBLY INSTRUCTIONS

5




6

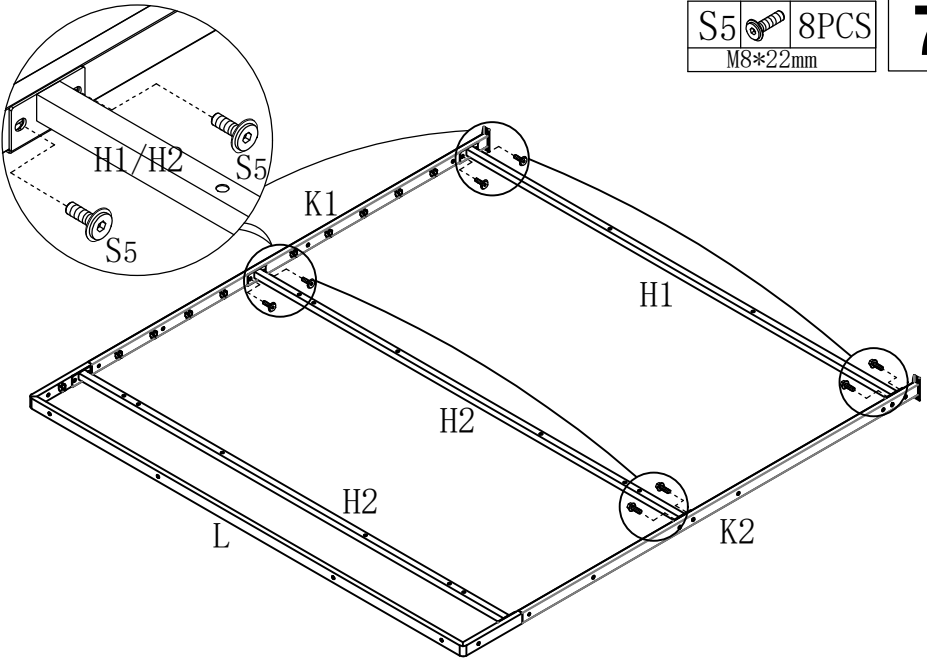
S6		4PCS
M8*16mm		




ASSEMBLY INSTRUCTIONS

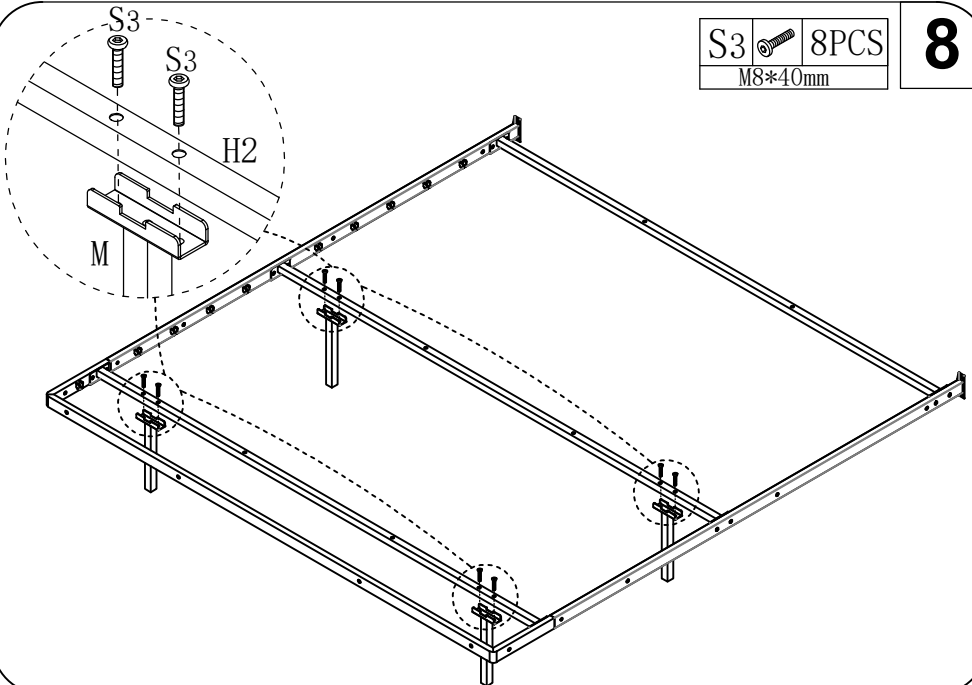
S5		8PCS
M8*22mm		

7

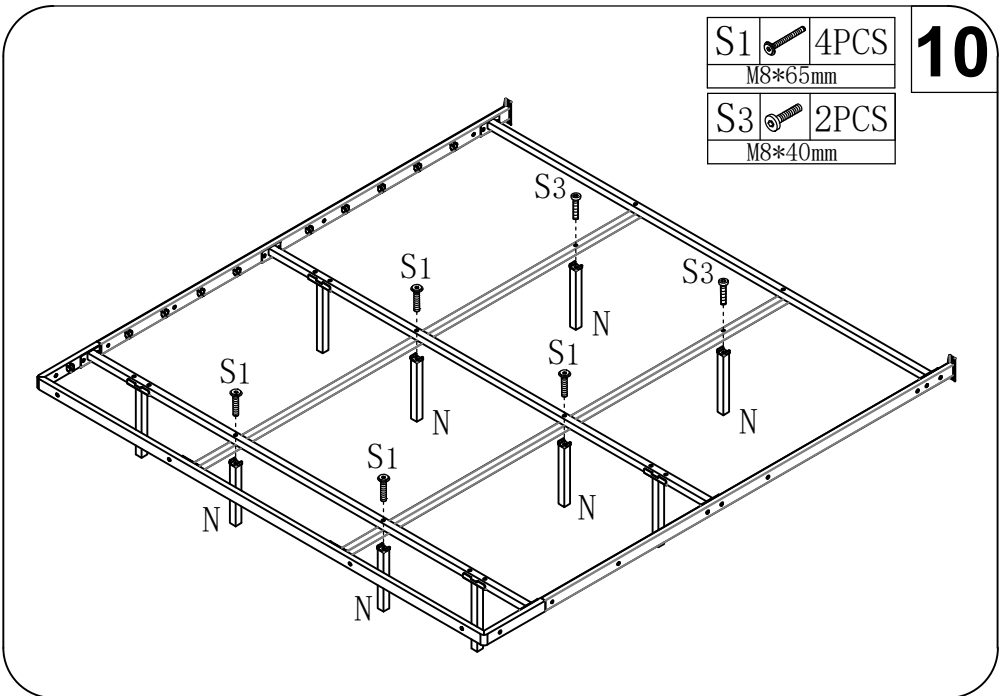
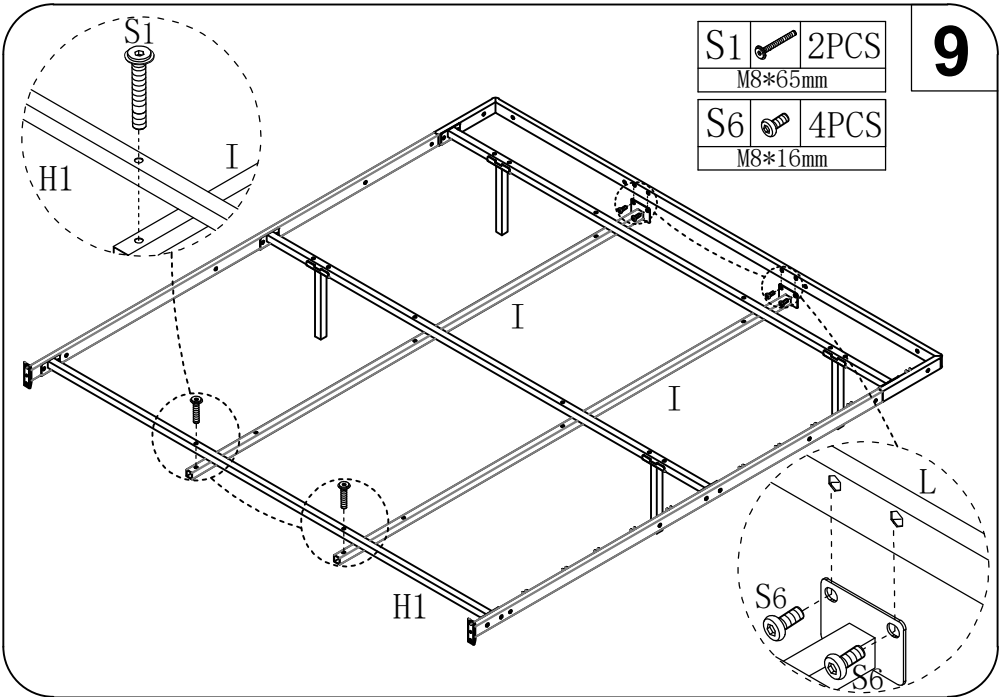


S3		8PCS
M8*40mm		

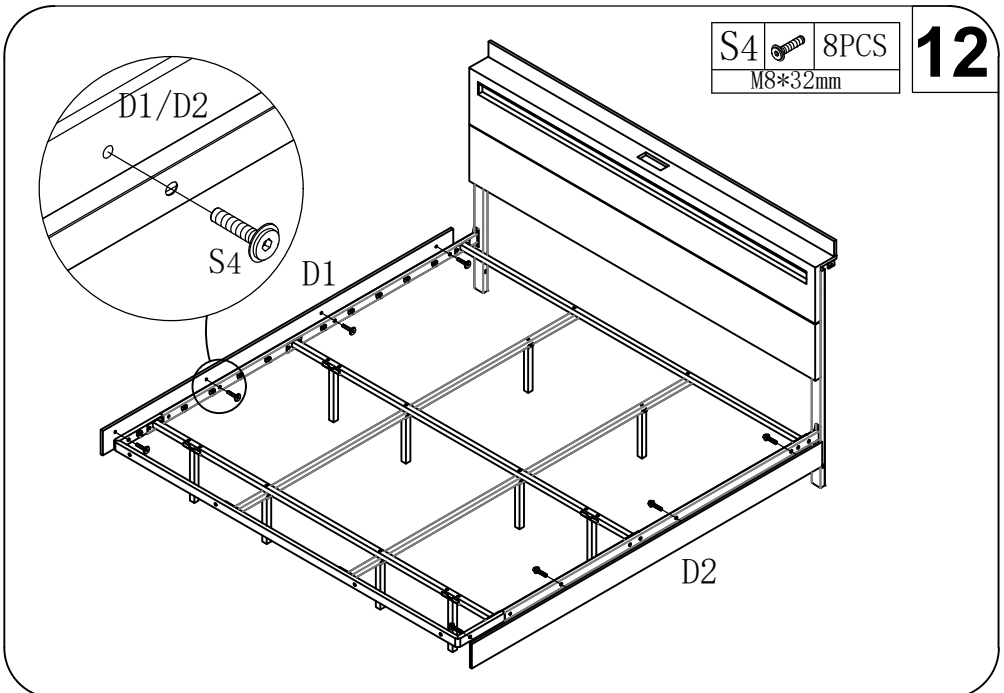
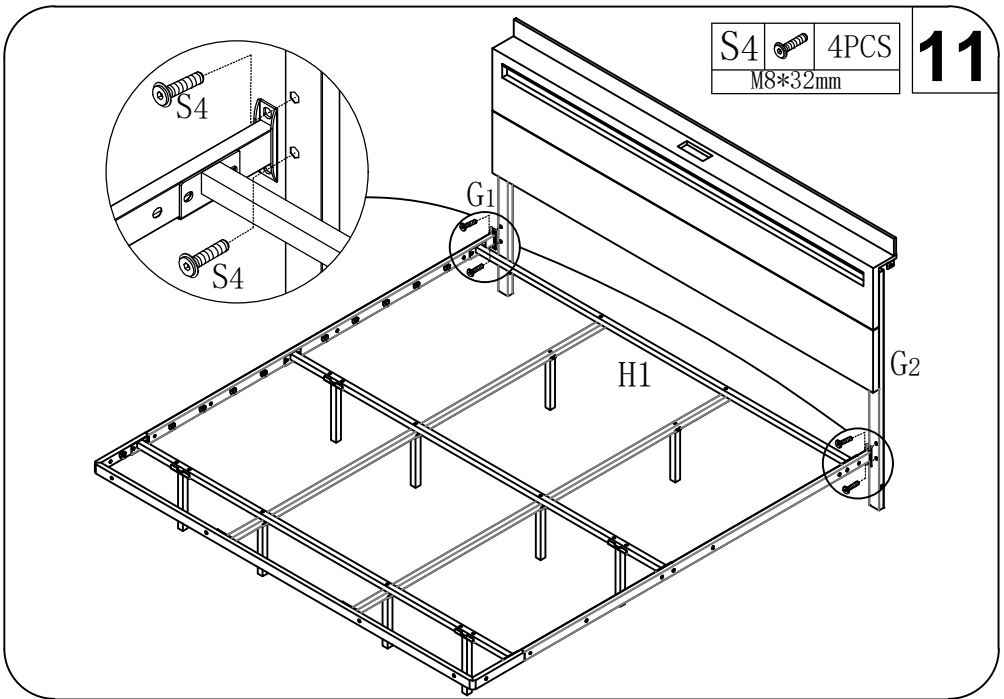
8




ASSEMBLY INSTRUCTIONS



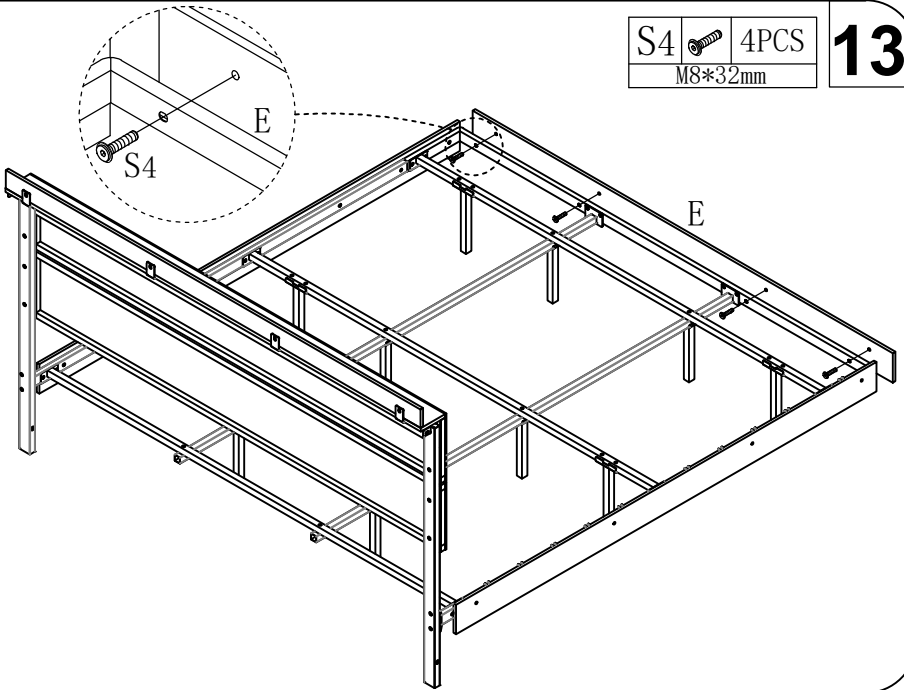
ASSEMBLY INSTRUCTIONS





ASSEMBLY INSTRUCTIONS

S4		4PCS
M8*32mm		

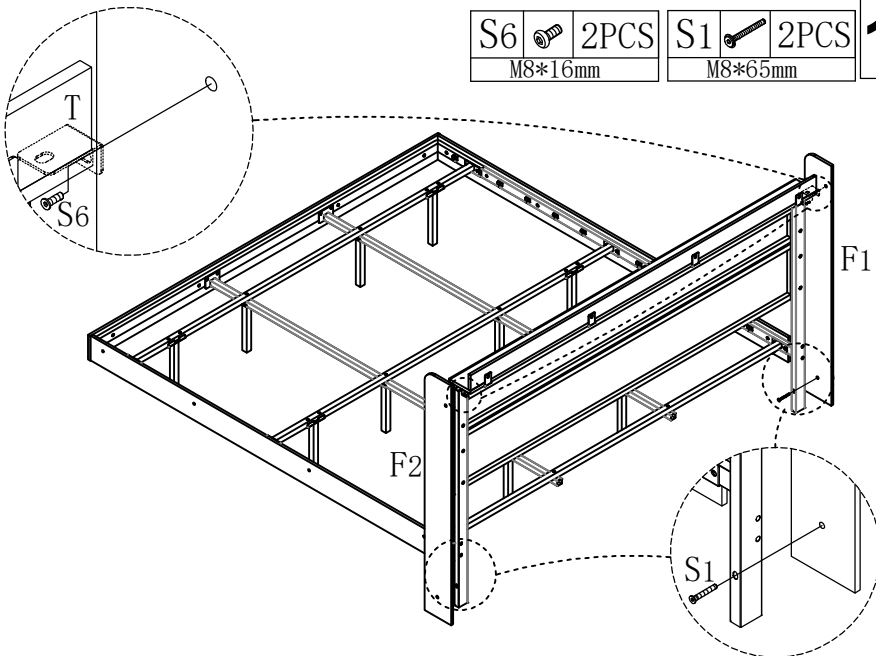
13



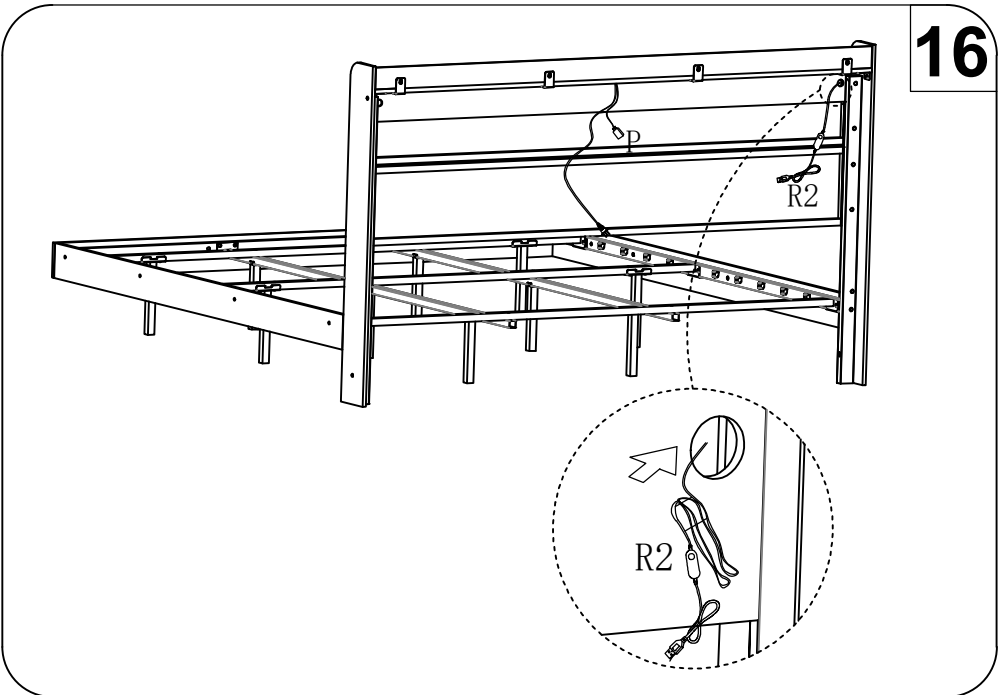
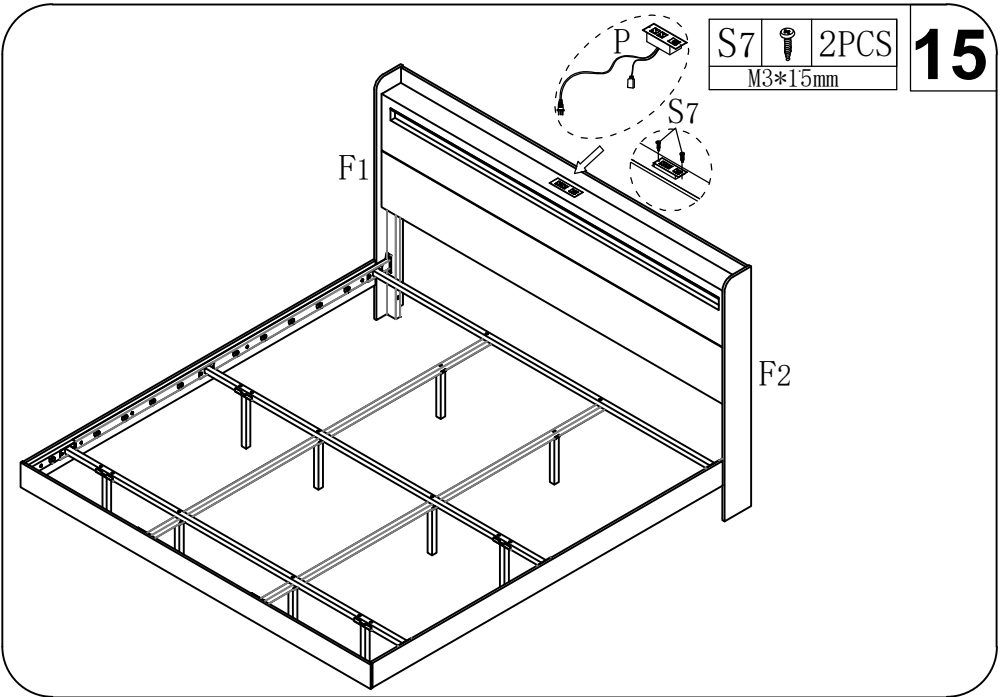
S6		2PCS
M8*16mm		

S1		2PCS
M8*65mm		

14

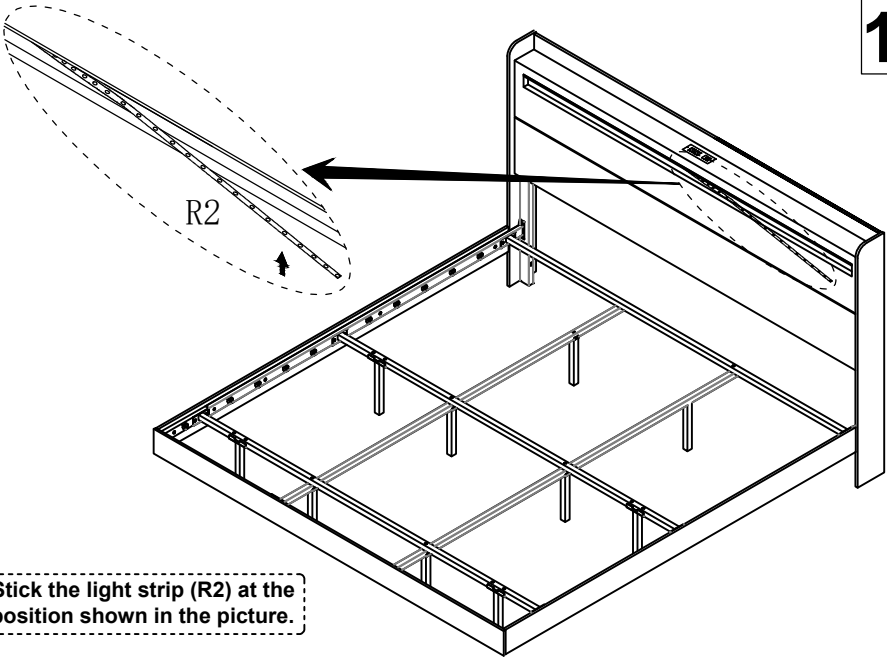


ASSEMBLY INSTRUCTIONS



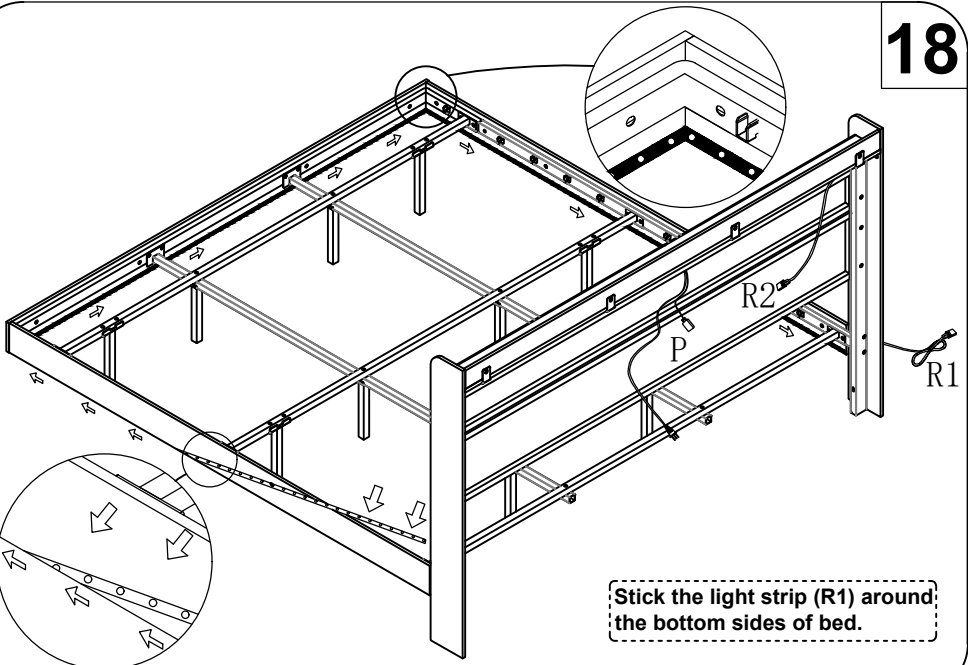
ASSEMBLY INSTRUCTIONS

17



Stick the light strip (R2) at the position shown in the picture.

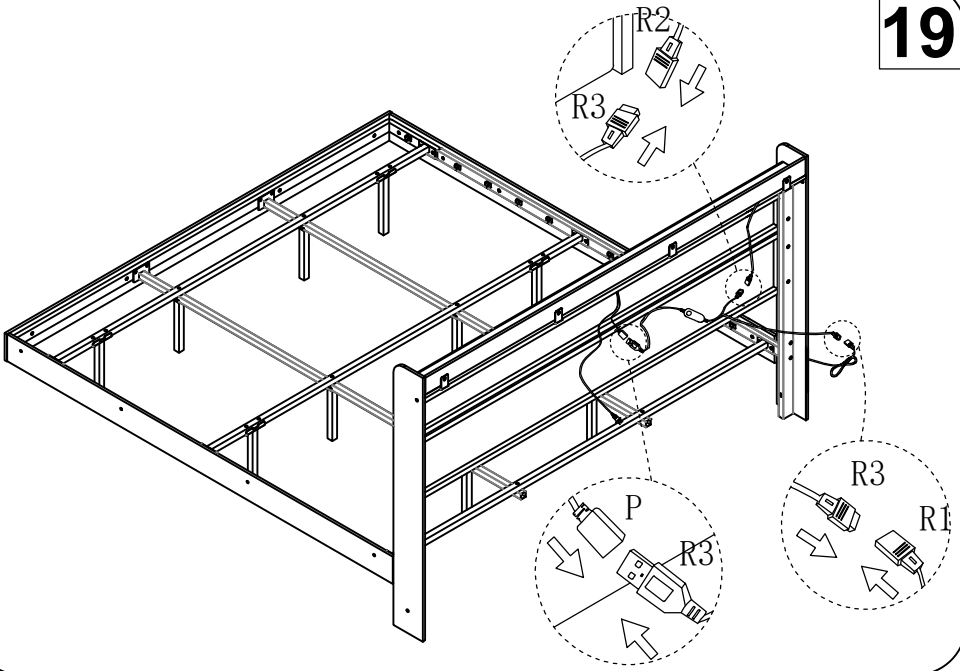
18



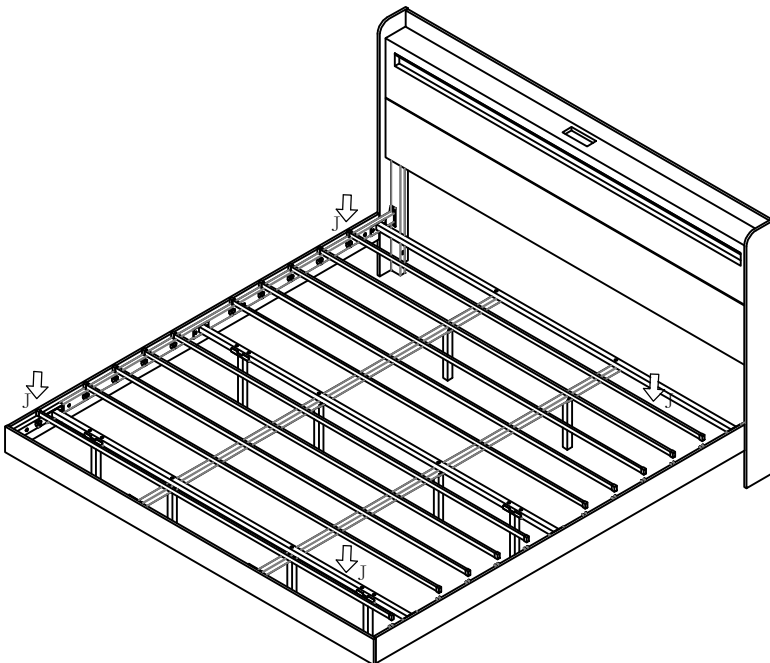
Stick the light strip (R1) around the bottom sides of bed.

ASSEMBLY INSTRUCTIONS

19

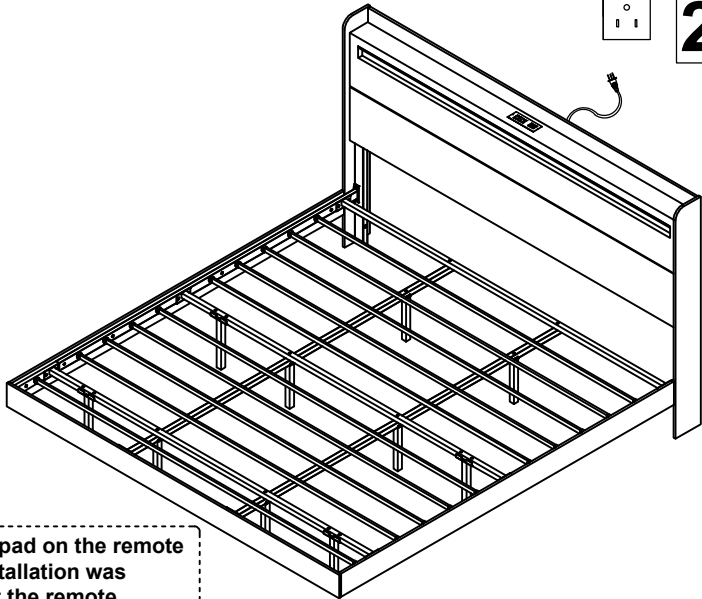
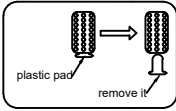


20



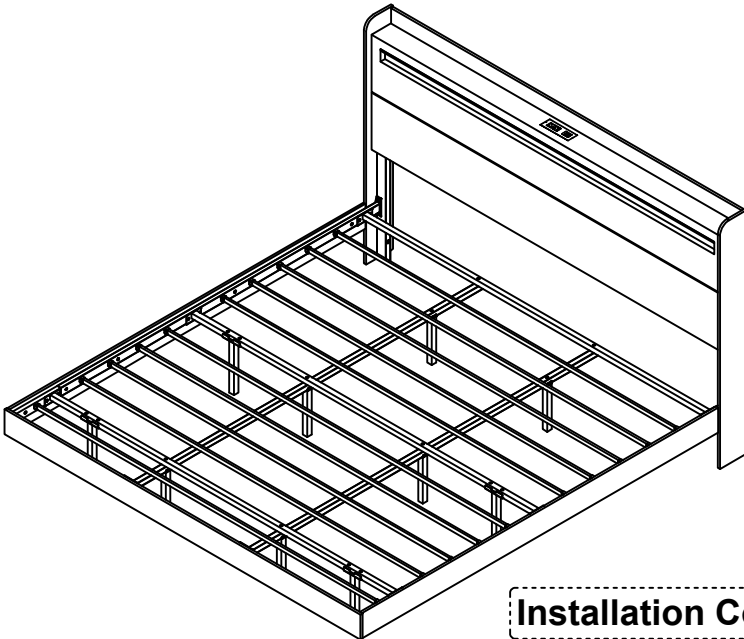
ASSEMBLY INSTRUCTIONS

21



Remove the plastic pad on the remote control after the installation was completed and start the remote operation without direction restriction.

22



Installation Complete