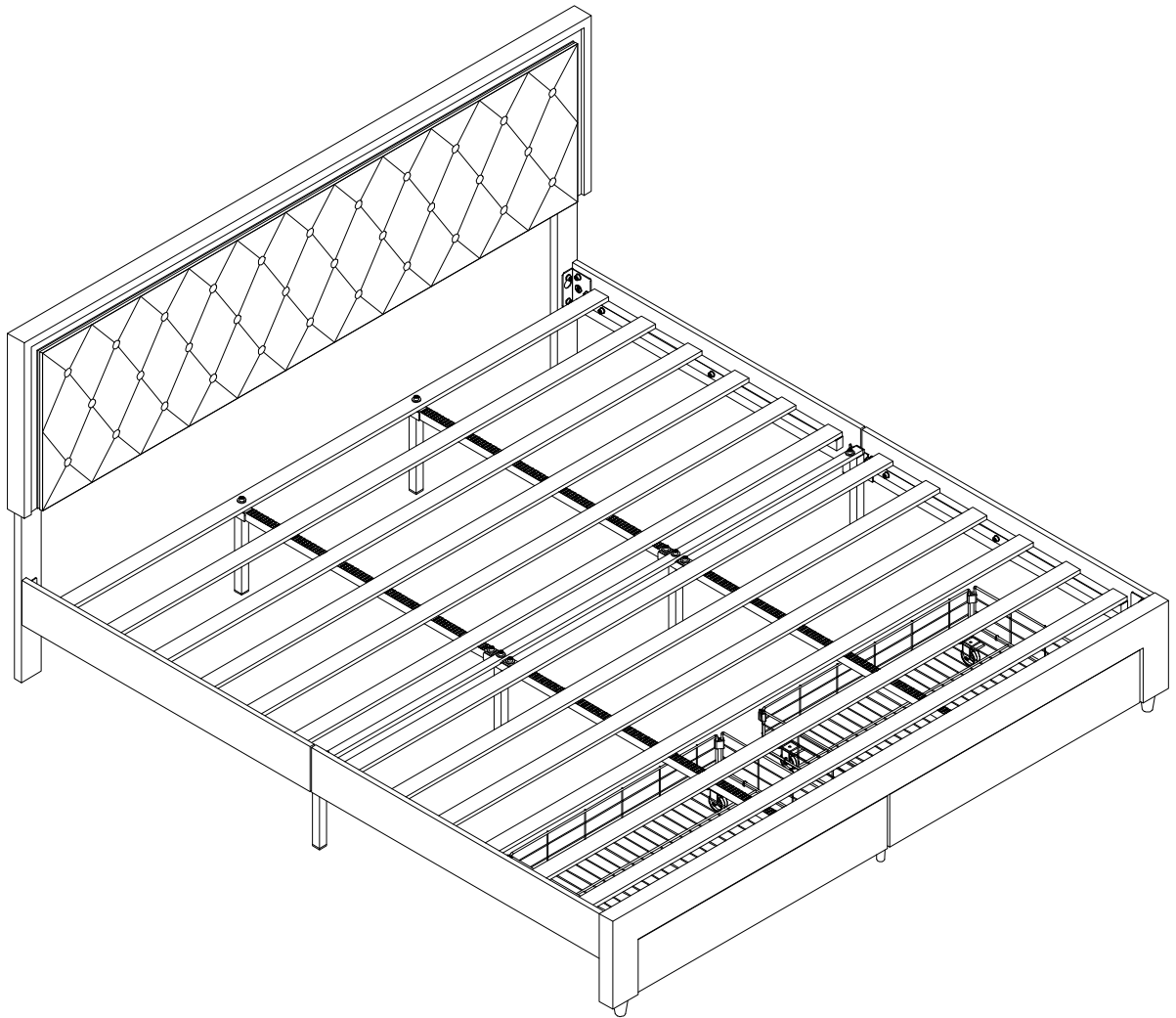


## LED Upholstered Platform Bed



### **Friendly Customer Service**

Satisfaction Guarantees: Any problems with assembly, quality, or return, please feel free to contact us directly.

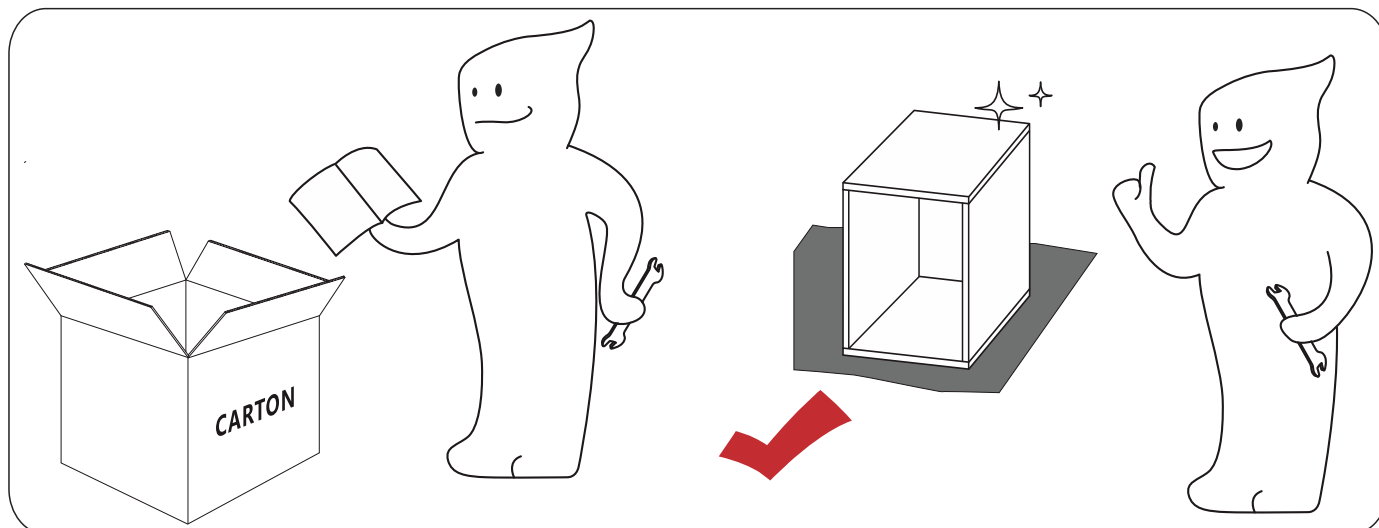
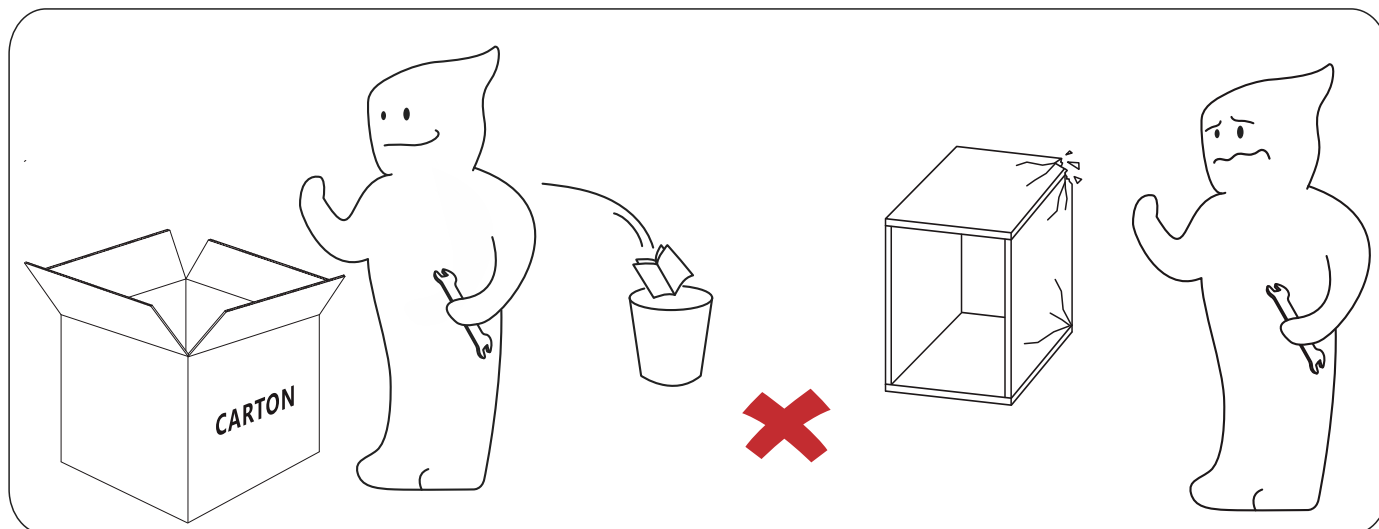
### **Contact us**

Phone: +1 (901) 347-2181 (US) Mon-Fri 9am - 5pm (PST)

E-Mail: [cs@howedirect.com](mailto:cs@howedirect.com) (Get efficient feedback within 12 hours)

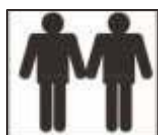
# ! IMPORTANT

Please follow the instruction manuals and use a pad to protect the product during your assembly.



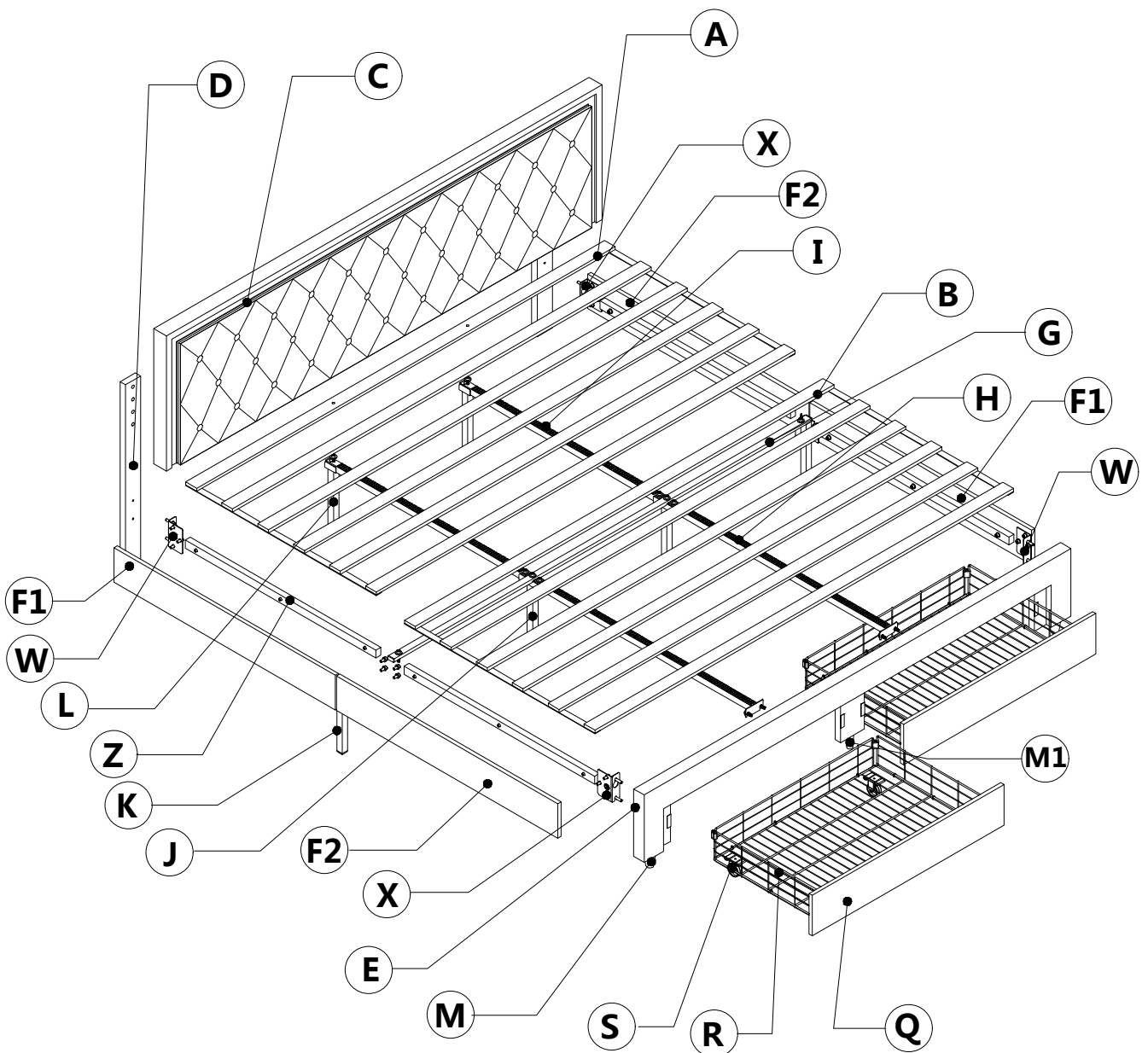
**Note:**

1. Should be assembled on flat ground to keep balance.
2. Before completing the installation, do not tighten the screws.

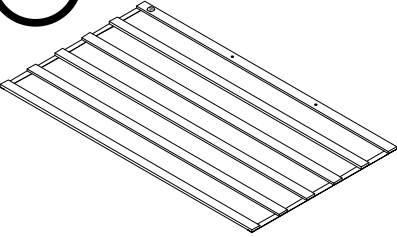
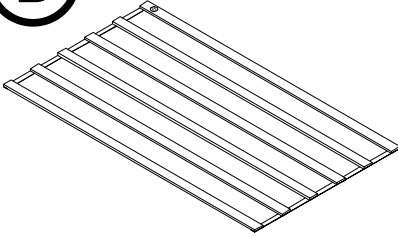
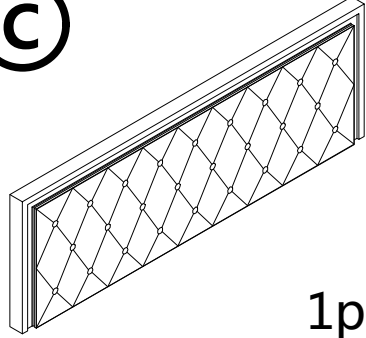

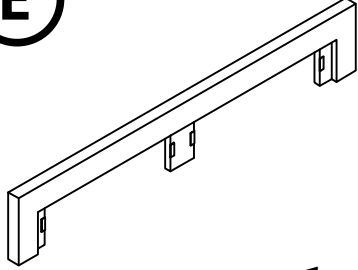
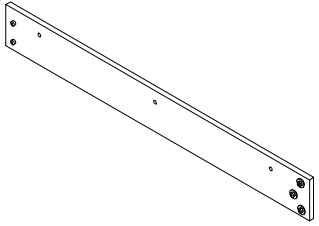
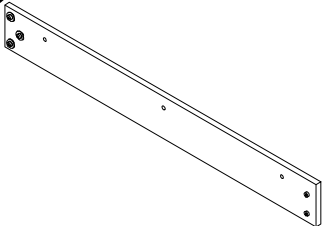
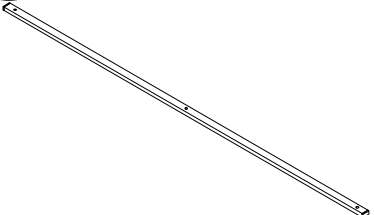
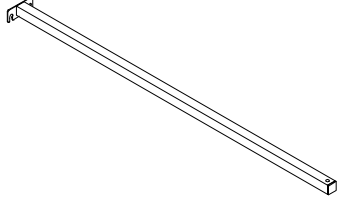
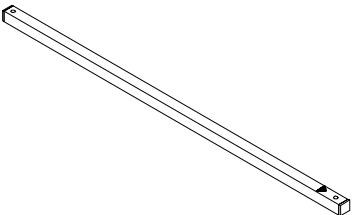
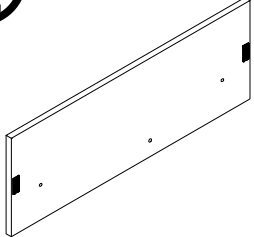
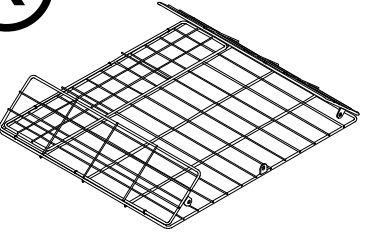
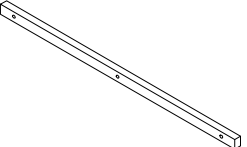


For easier and better assembly, **2** or more adults are required.

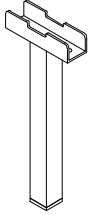
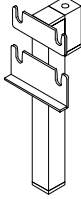
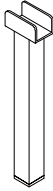

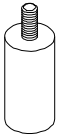
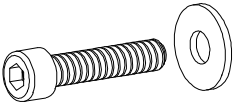
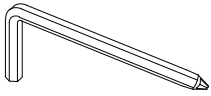
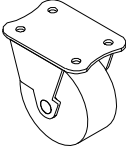
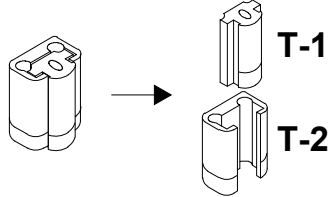

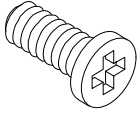
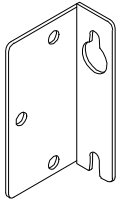
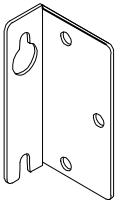
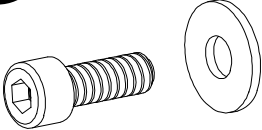


# ASSEMBLY INSTRUCTIONS



**BED FRAME PARTS LIST**

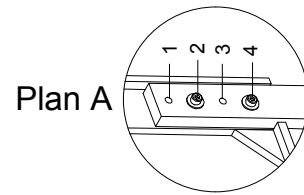
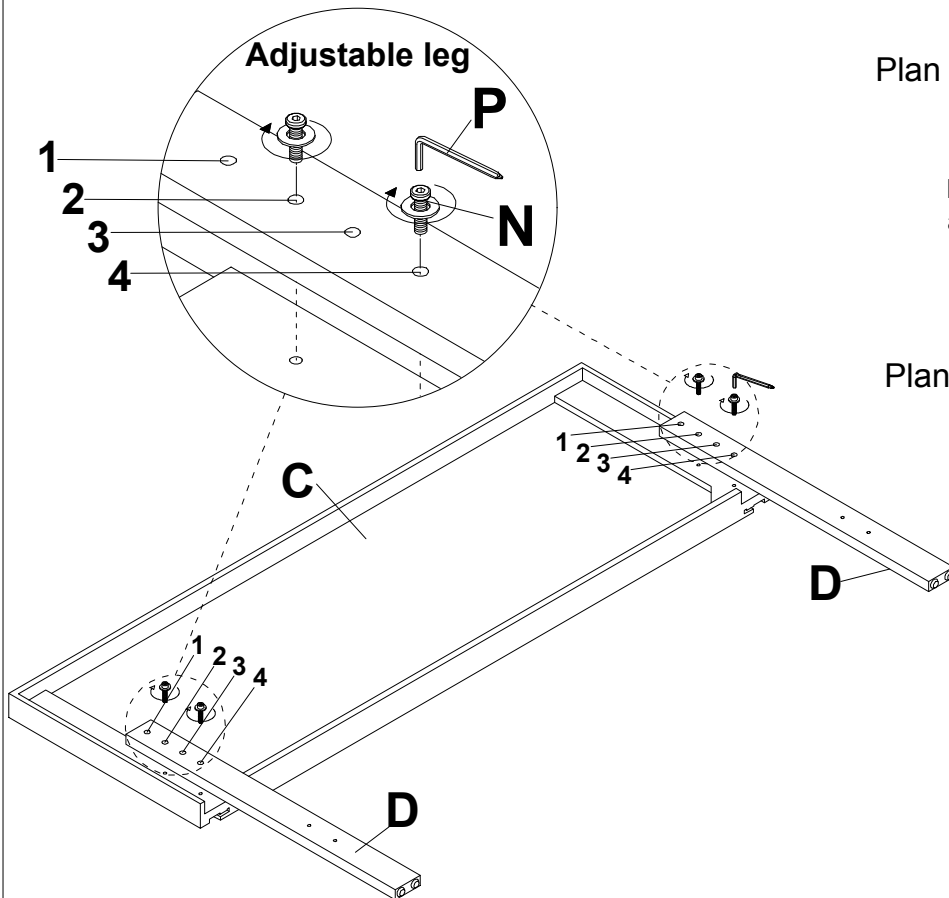
<p><b>(A)</b></p>  <p>1pc</p>	<p><b>(B)</b></p>  <p>1pc</p>	<p><b>(C)</b></p>  <p>1pc</p>
<p><b>(D)</b></p>  <p>2pcs</p>	<p><b>(E)</b></p>  <p>1pc</p>	<p><b>(F1)</b></p>  <p>2pcs</p>
<p><b>(F2)</b></p>  <p>2pcs</p>	<p><b>(G)</b></p>  <p>1pc</p>	<p><b>(H)</b></p>  <p>2pcs</p>
<p><b>(I)</b></p>  <p>2pcs</p>	<p><b>(Q)</b></p>  <p>2pcs</p>	<p><b>(R)</b></p>  <p>2pcs</p>
<p><b>(Z)</b></p>  <p>4pcs</p>		

**FITTING PARTS LIST**

<p><b>(J)</b></p>  <p>2pcs</p>	<p><b>(K)</b></p>  <p>2pcs</p>	<p><b>(L)</b></p>  <p>2pcs</p>	
<p><b>(M)</b></p>  <p>2pcs</p>	<p><b>(M1)</b></p>  <p>1pc</p>	<p><b>(N)</b></p>  <p>M8 X45mm 14pcs+1pc</p>	
<p><b>(P)</b></p>  <p>M8 Spanner 1pc</p>	<p><b>(S)</b></p>  <p>8pcs</p>	<p><b>(T)</b></p>  <p>T-1 T-2 4pcs</p>	
<p><b>(U)</b></p>  <p>M6×6mm 8pcs+1pc</p>	<p><b>(V)</b></p>  <p>M6×15mm 6pcs</p>	<p><b>(W)</b></p>  <p>2pcs</p>	
<p><b>(X)</b></p>  <p>2pcs</p>	<p><b>(Y)</b></p>  <p>M8 X40mm 12pcs</p>	<p><b>(W1)</b></p>  <p>1pc</p>	<p><b>(X1)</b></p>  <p>1pc</p>

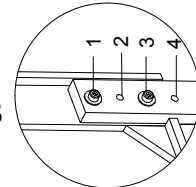
# ASSEMBLY INSTRUCTIONS

## STEP 1





Plan A

Fits a 10 inch thick mattress when attach screws to Hole 2 & Hole 4.

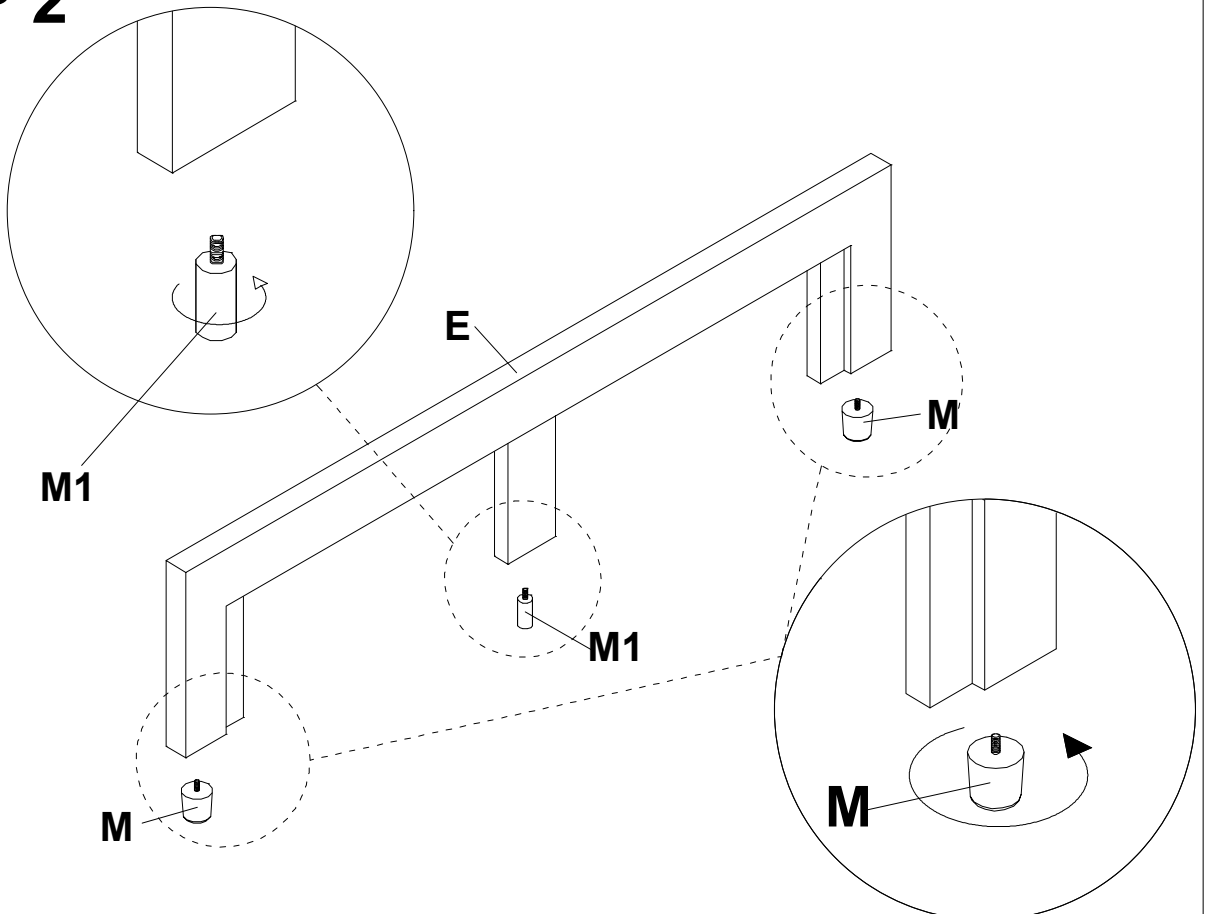


Plan B

Fits a 12 inch thick mattress when attach screws to Hole 1 & Hole 3.

 M8 X45mm	N x 4pcs
	P x 1pc

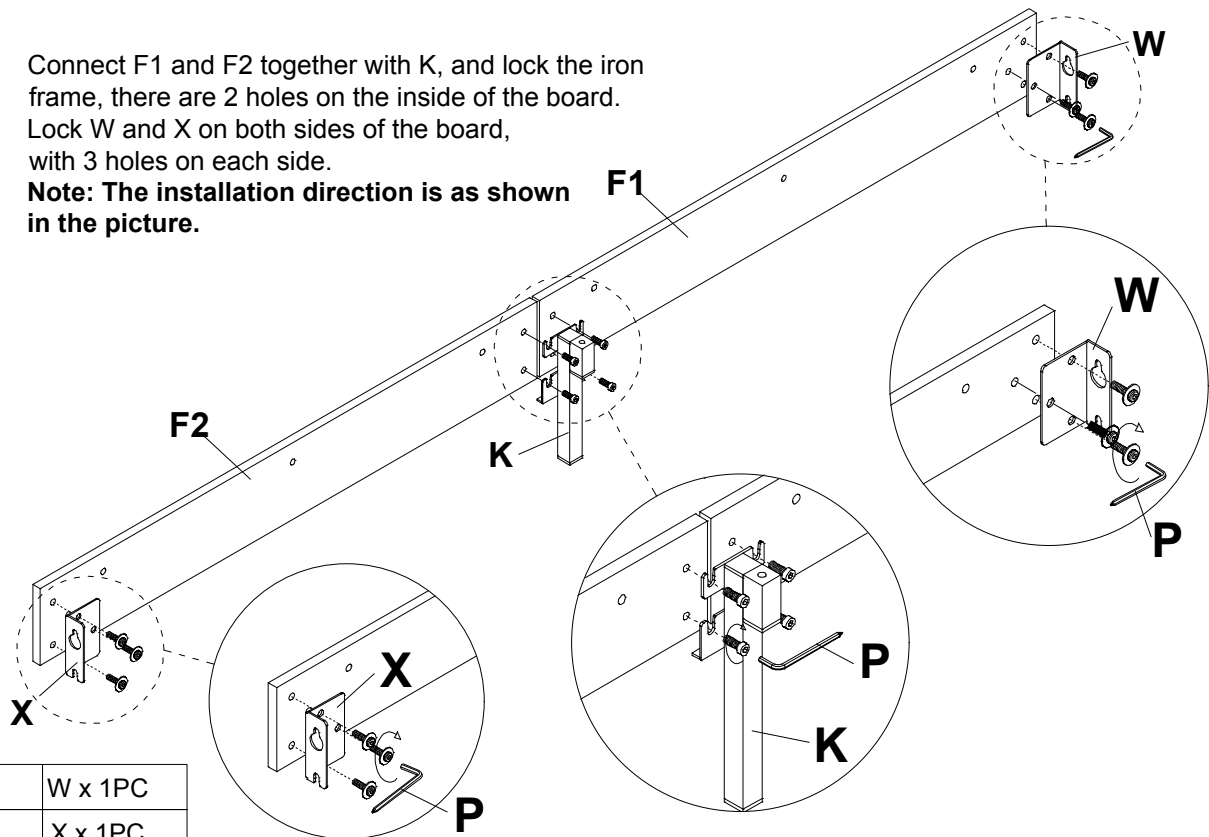
## STEP 2



## STEP 3

Connect F1 and F2 together with K, and lock the iron frame, there are 2 holes on the inside of the board.  
Lock W and X on both sides of the board, with 3 holes on each side.

**Note: The installation direction is as shown in the picture.**

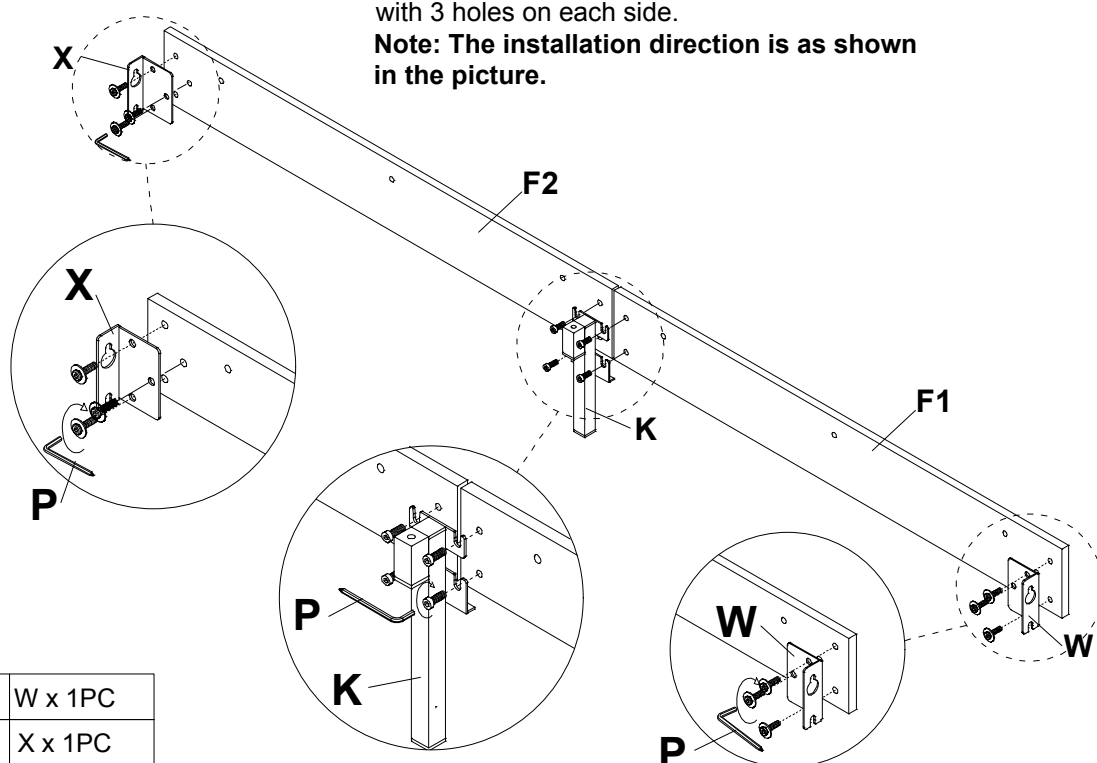


	W x 1PC
	X x 1PC
	P x 1PC

## STEP 4

Connect F1 and F2 together with K, and lock the iron frame, there are 2 holes on the inside of the board.  
Lock W and X on both sides of the board, with 3 holes on each side.

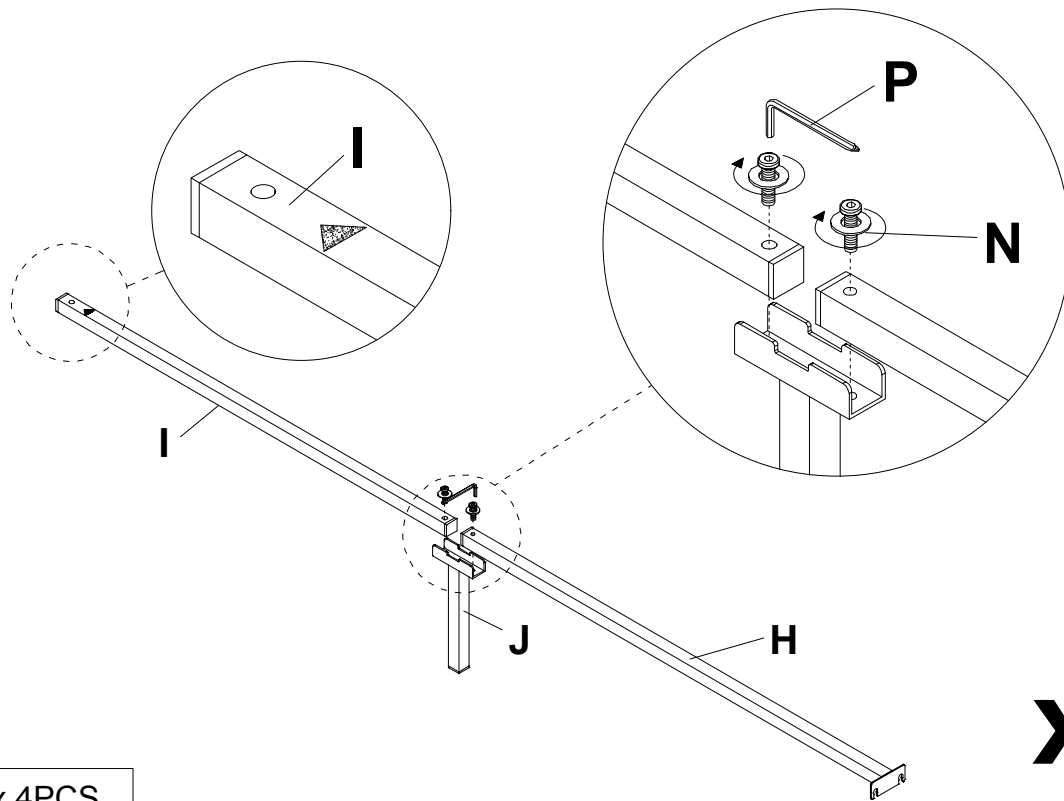
**Note: The installation direction is as shown in the picture.**





	W x 1PC
	X x 1PC
	P x 1PC

## STEP 5

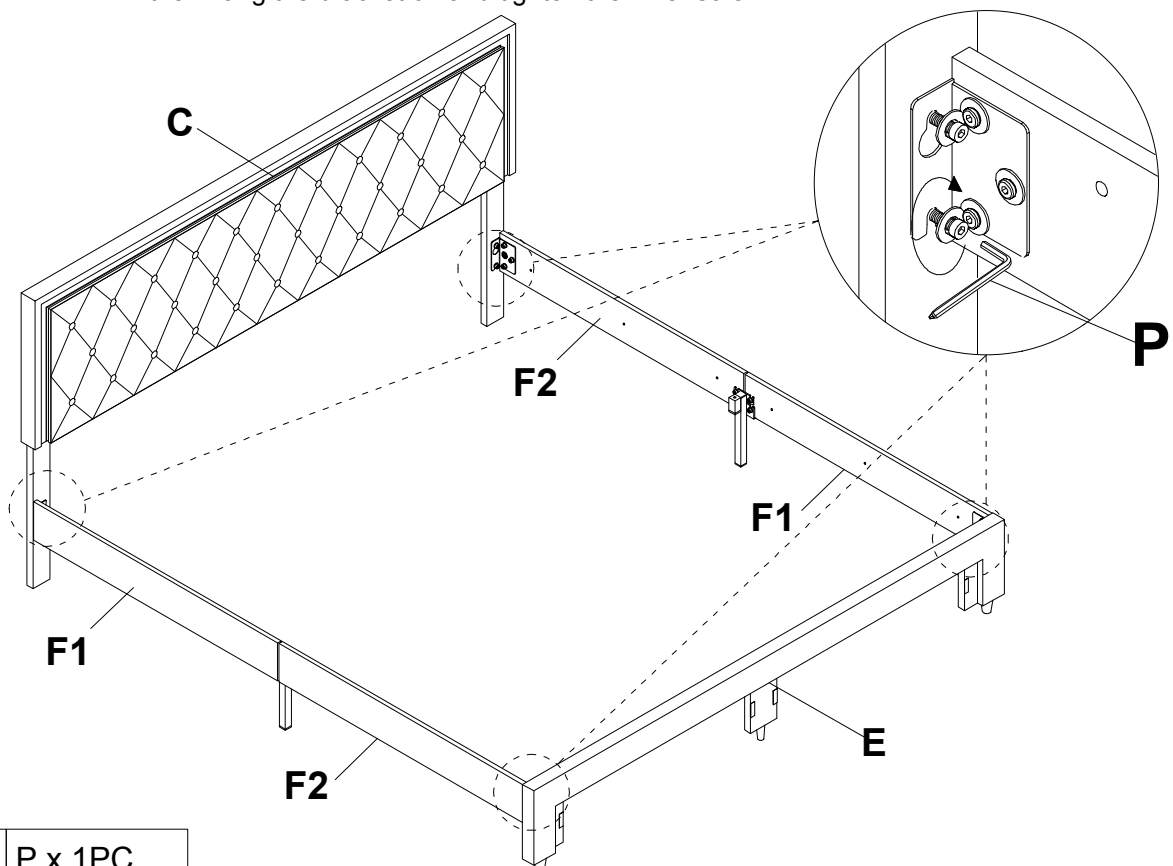
Noted that the red arrow is pointing towards the front.




 M8 X45mm	N x 4PCS
	P x 1PC

## STEP 6

Loosen the screw of headboard and both sides of footboard, then hang the bracket on and tighten the inner screw.

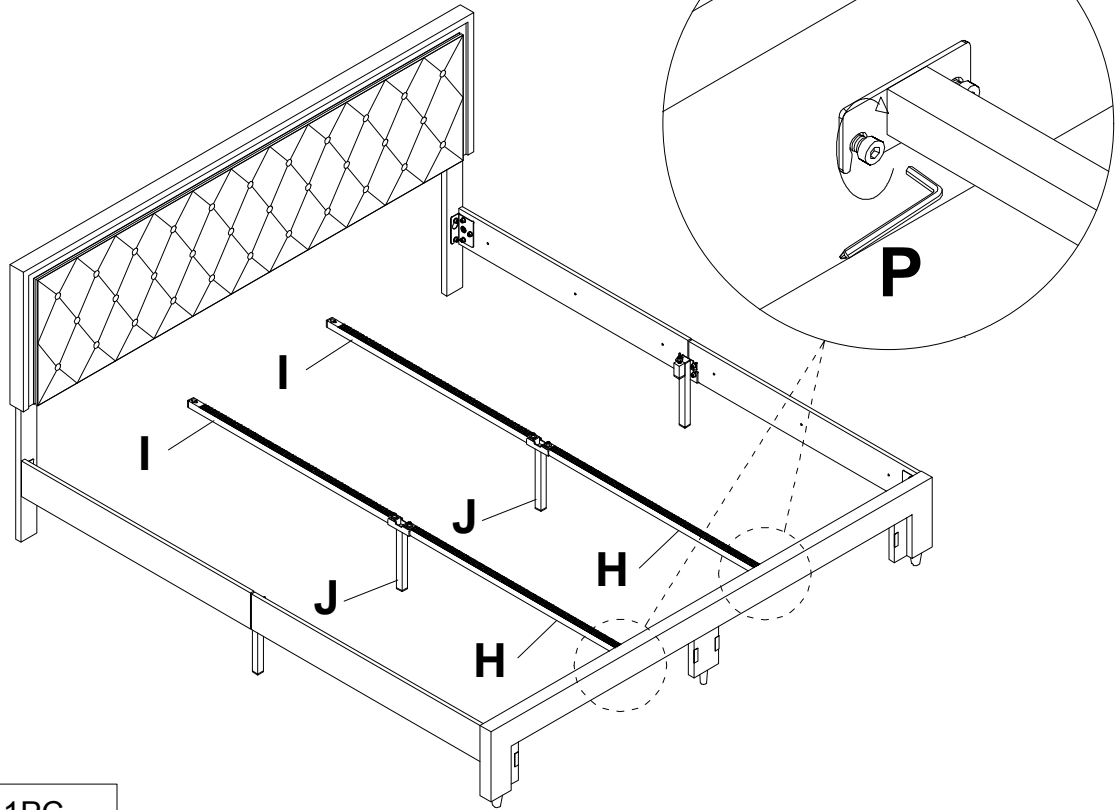



	P x 1PC
---	---------



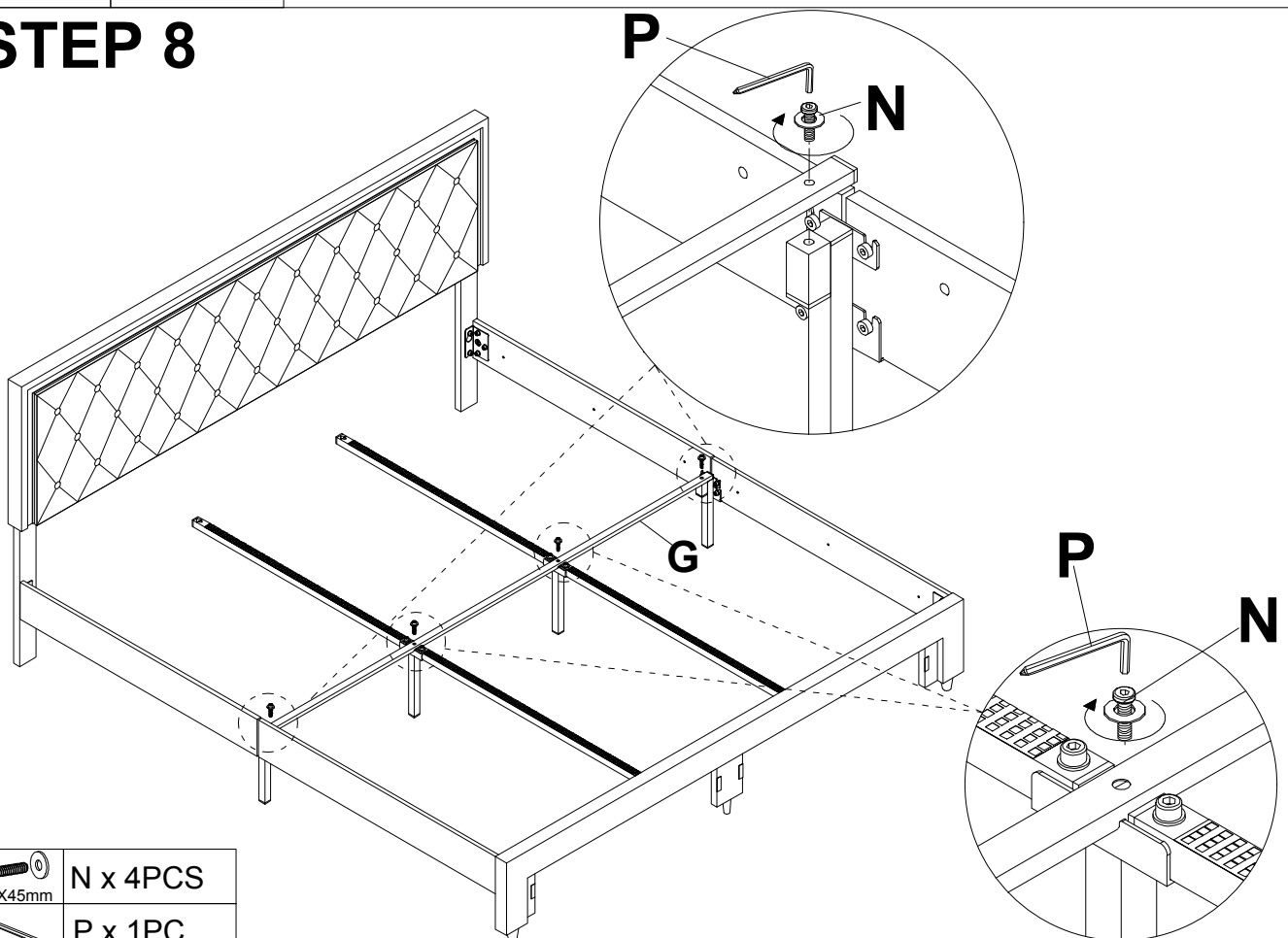
## STEP 7


Loosen the screw in the middle of the footboard, then hang the bracket on and tighten the inner screw.

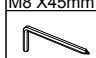


 P x 1PC

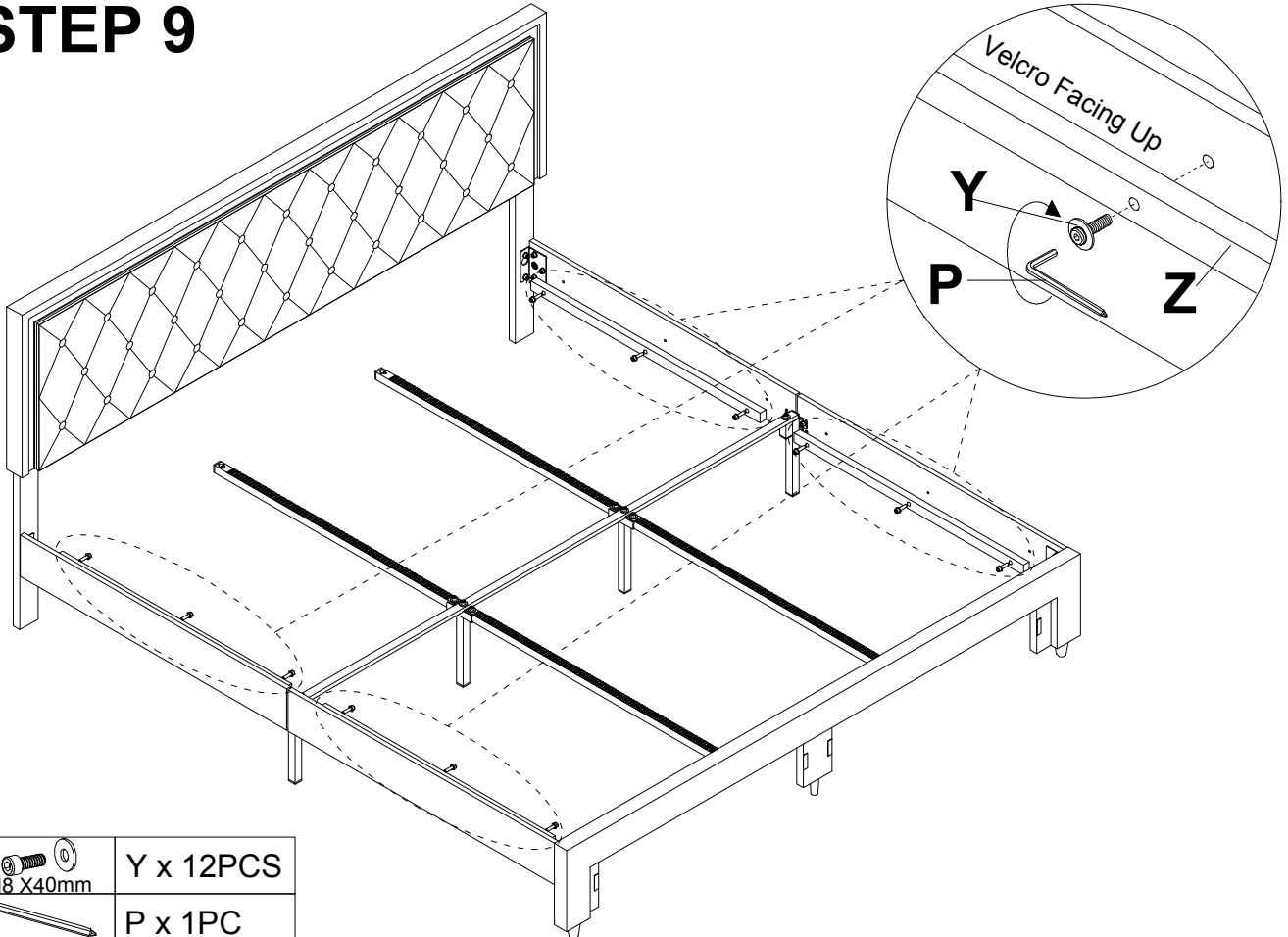
## STEP 8



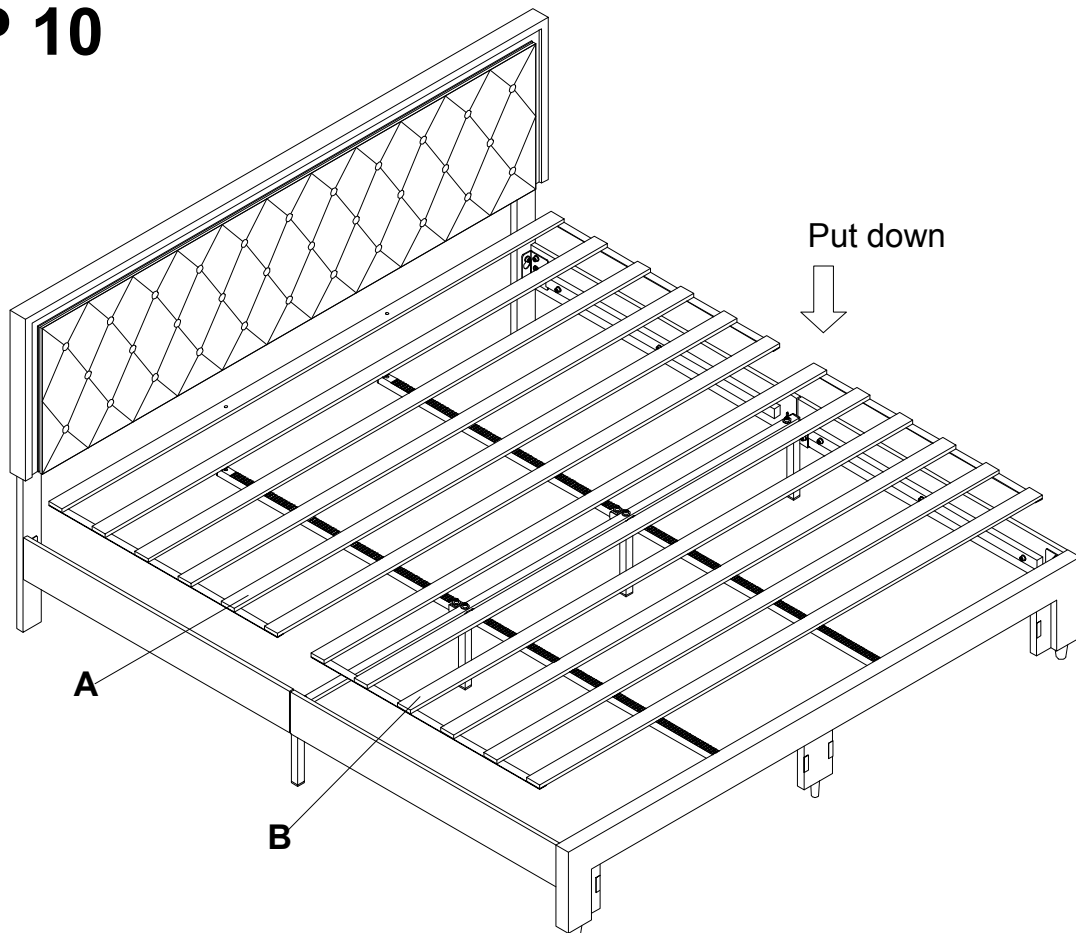
 N x 4PCS  
M8 X45mm

 P x 1PC

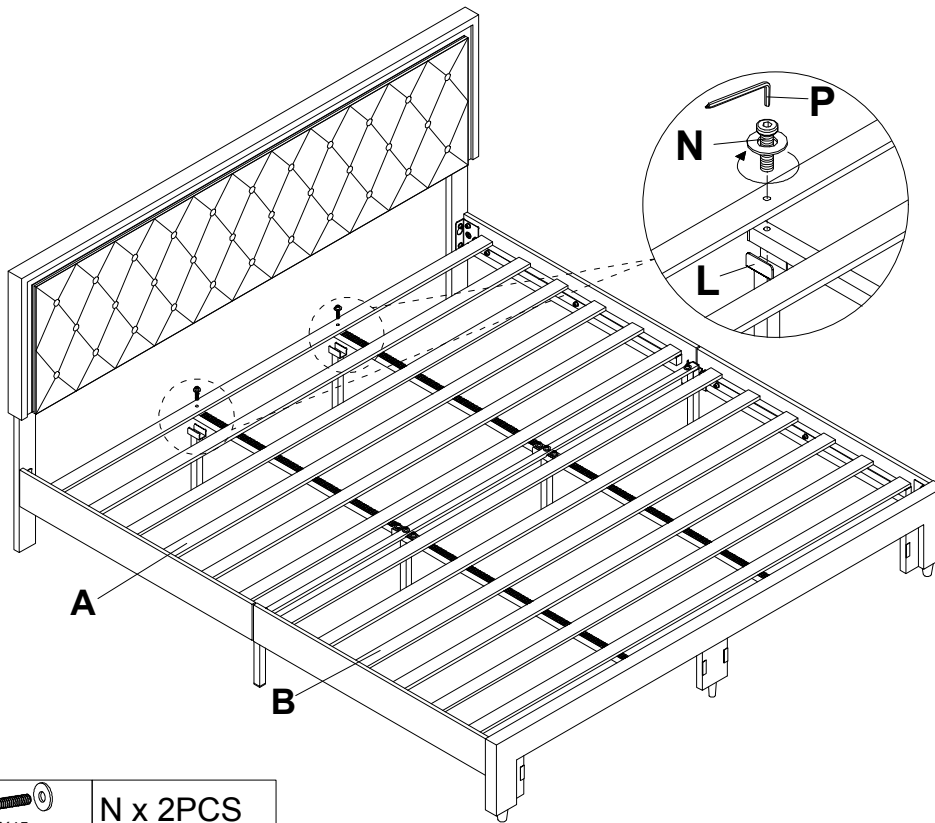
## STEP 9

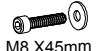



## STEP 10

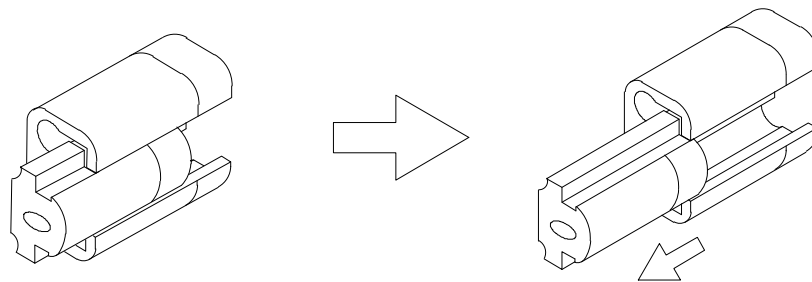


## STEP 11

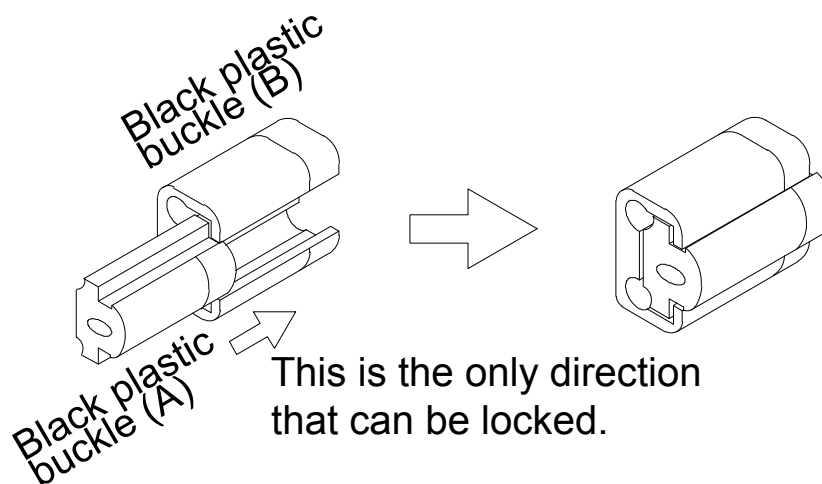


 M8 X45mm	N x 2PCS
	P x 1PC

## STEP 12

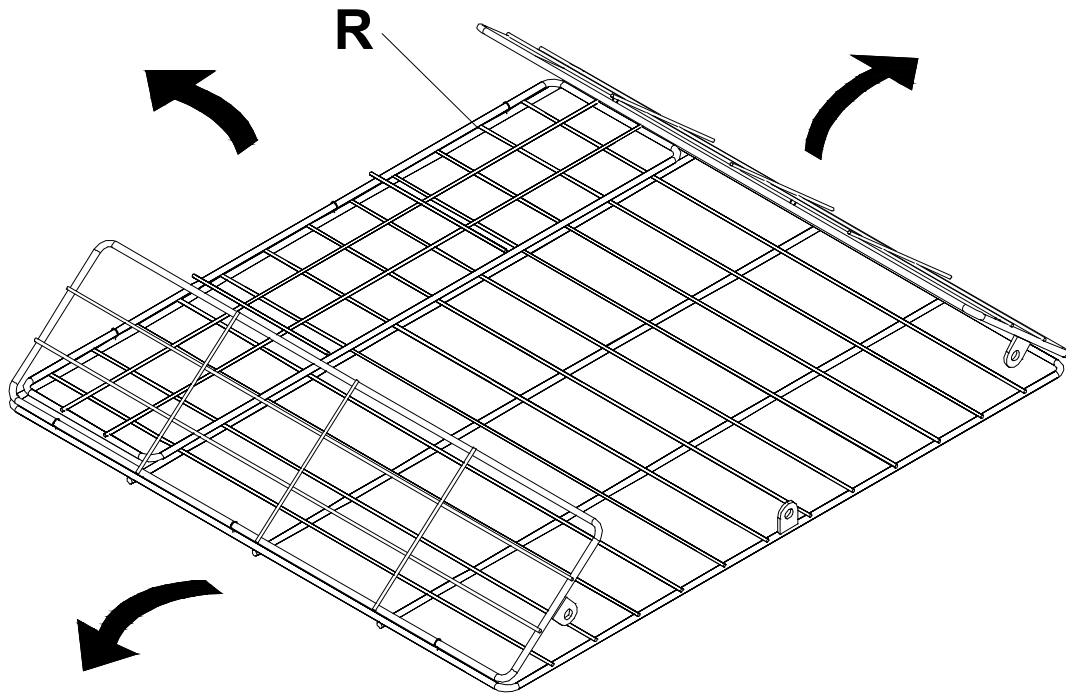


You can pull the buckle out by following the direction indicated by the arrow



# STEP 13

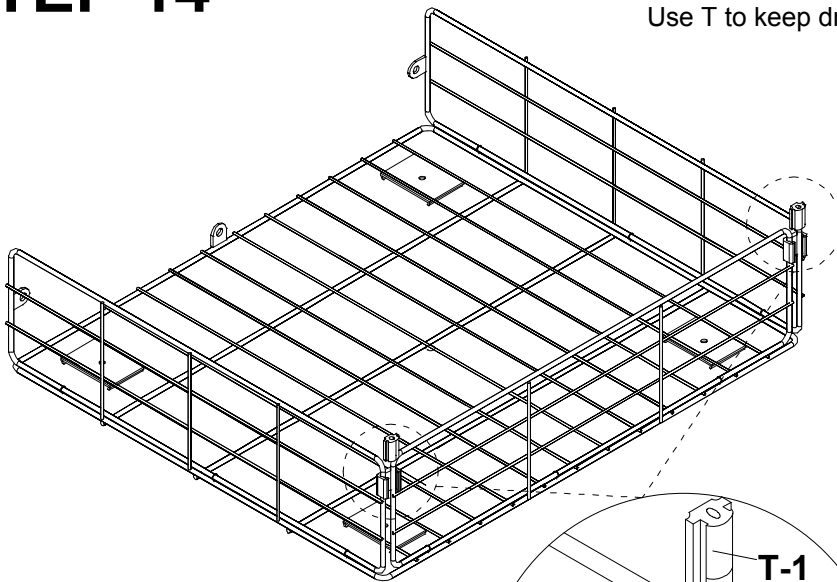
Unfold the drawer sides



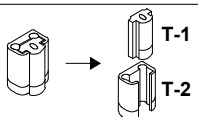
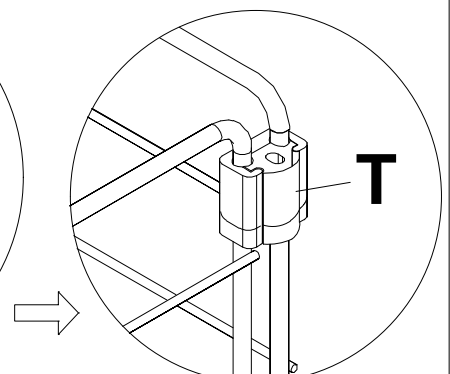
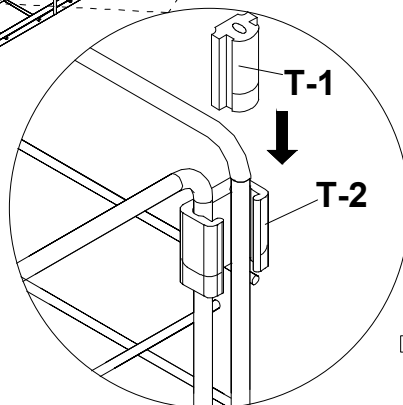
**x2**

# STEP 14

Use T to keep drawer sides in place



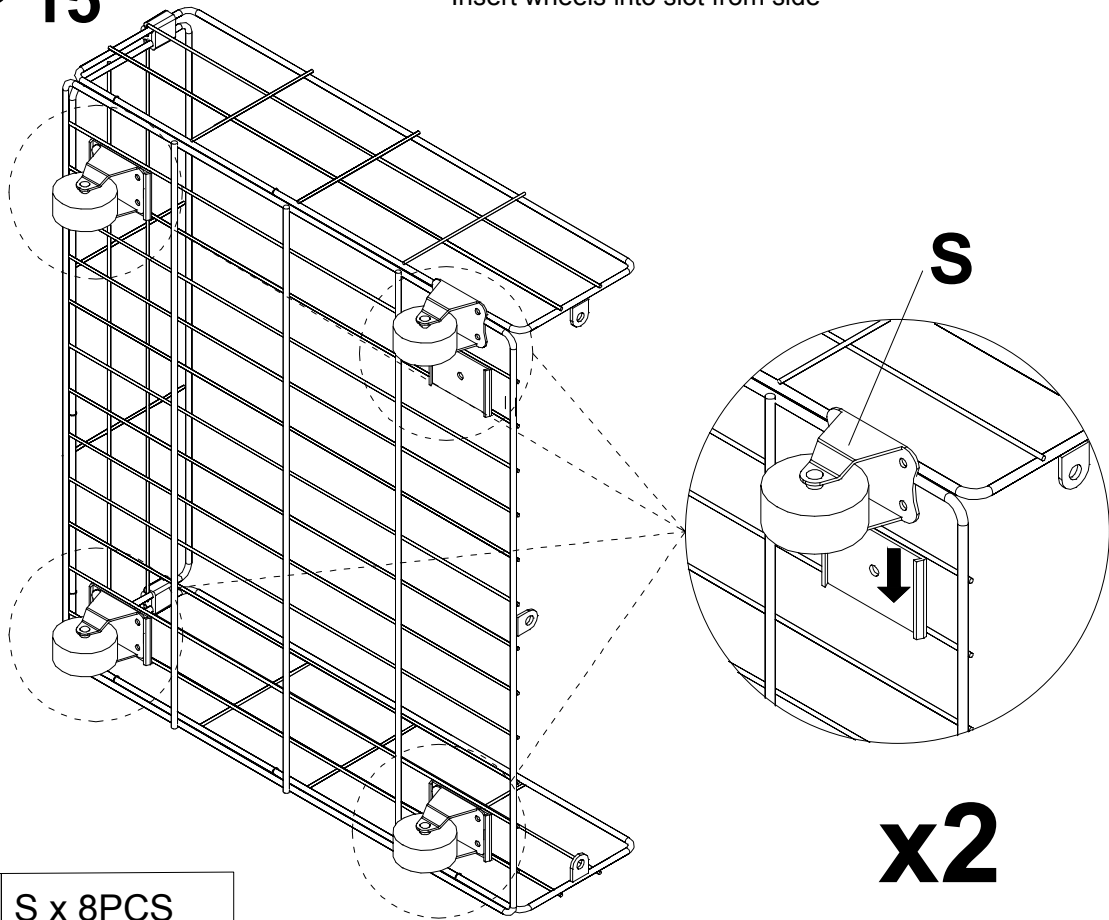
**x2**



T x 4PCS

## STEP 15

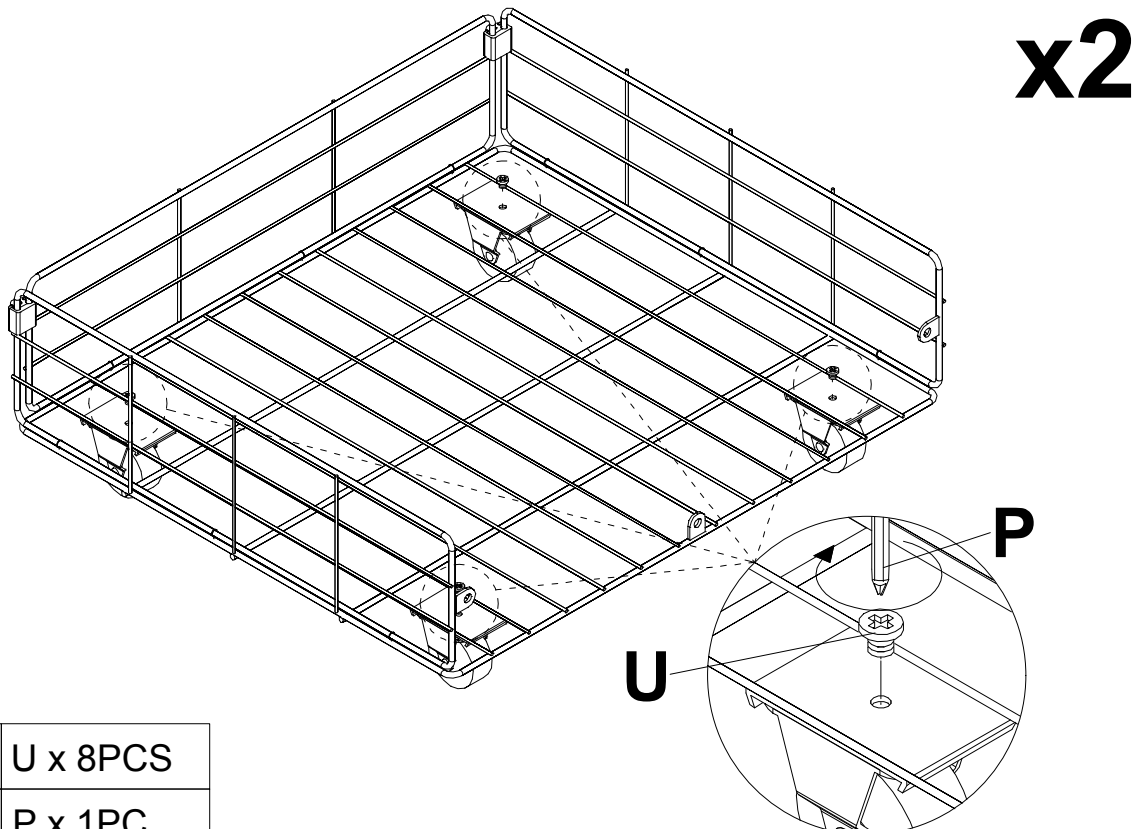
Insert wheels into slot from side



S x 8PCS

## STEP 16

Secure the wheels with screws U



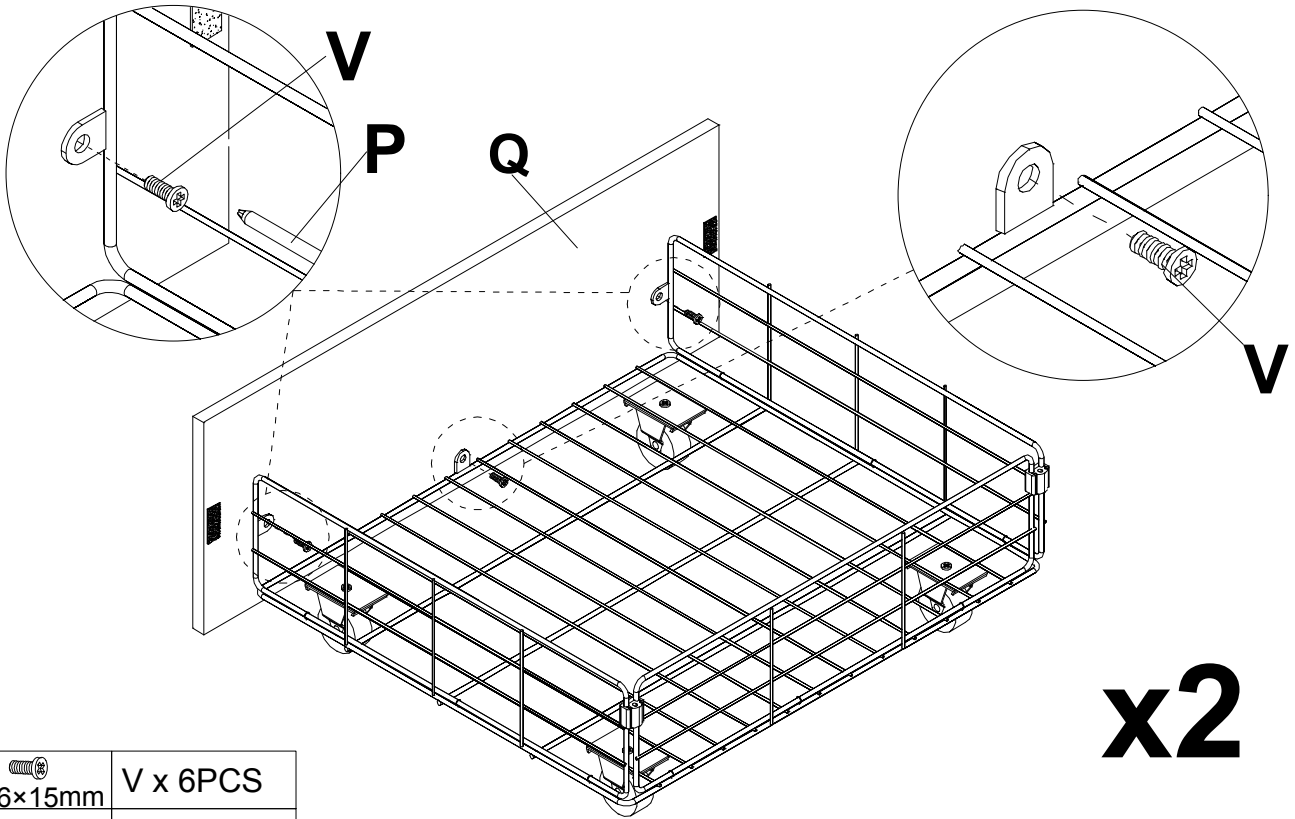
M6×6mm

U x 8PCS





P x 1PC

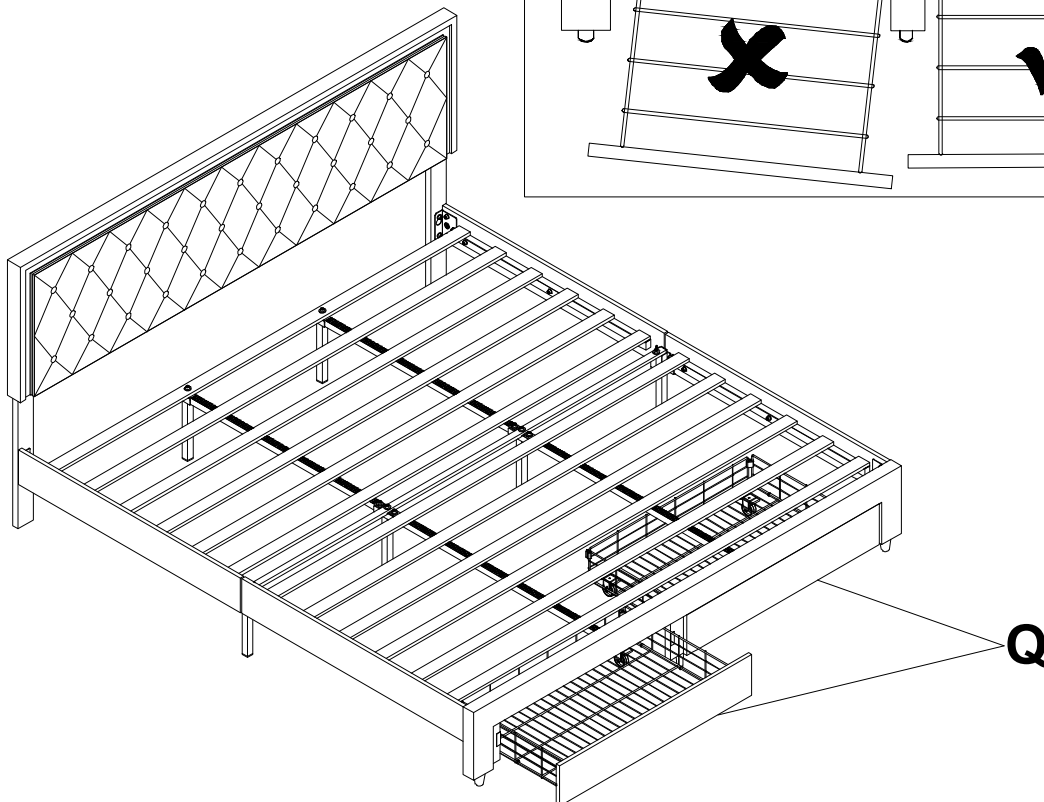
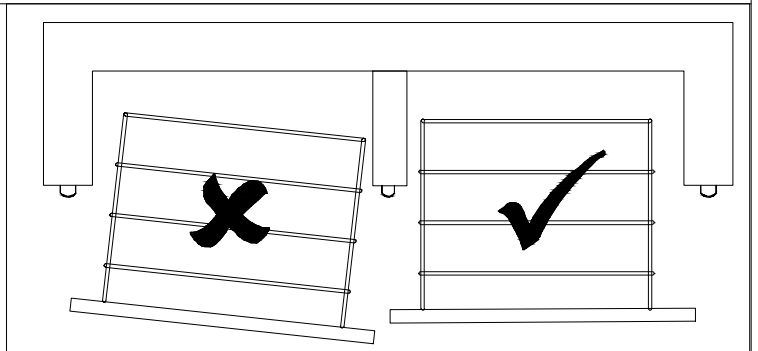
# STEP 17



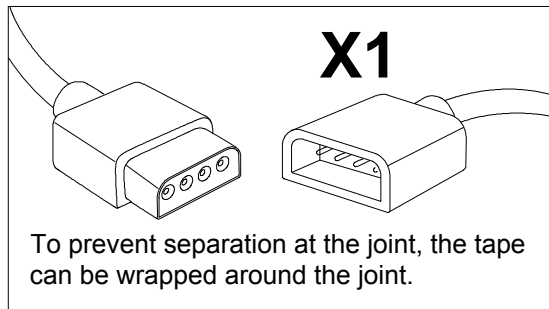
**x2**

 M6x15mm	V x 6PCS
	P x 1PC

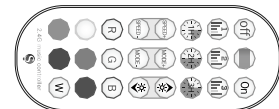
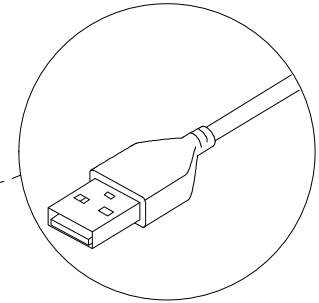
# STEP 18



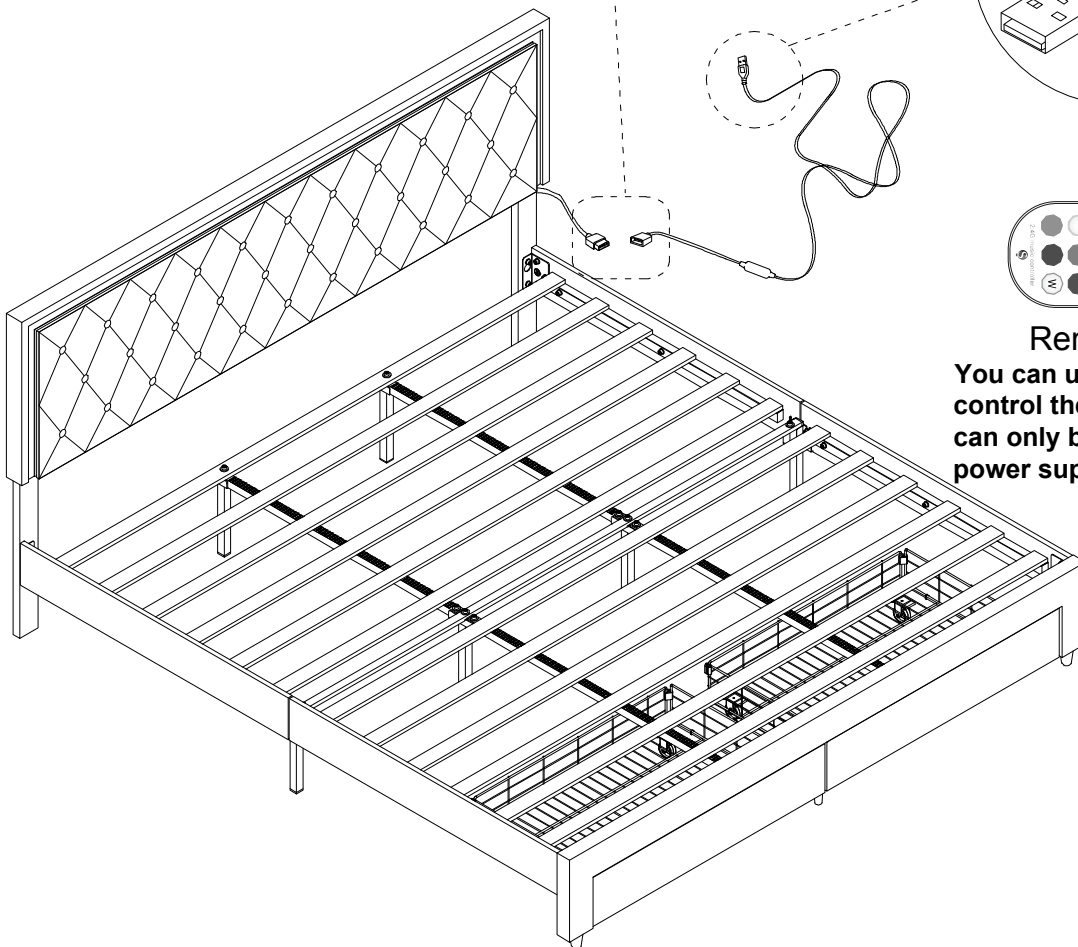
## STEP 19



**NOTE:** The black part of the receiver (X1) needs to be exposed to air in order to better control the LED light.



**Remote control**  
You can use the remote to control the light. The LED lamp can only be used after the power supply is connected.

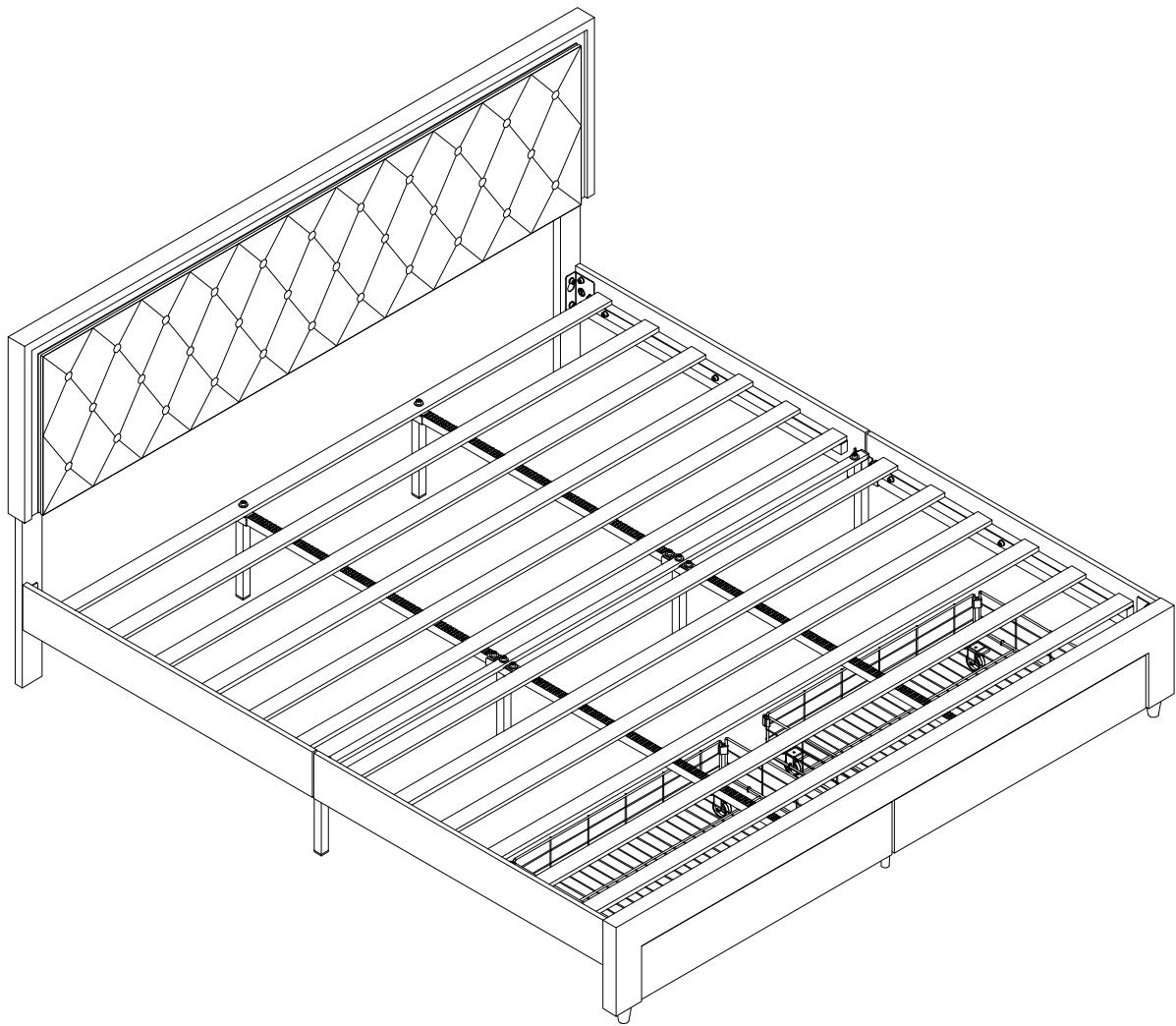


Please scan the QR code on the manual/controller and install the application.  
Step1: Please make sure your phone has bluetooth enabled.  
Step2: The LED light will automatically connect to the APP.



X1 x 1PC

# STEP 20



**Installation Complete**