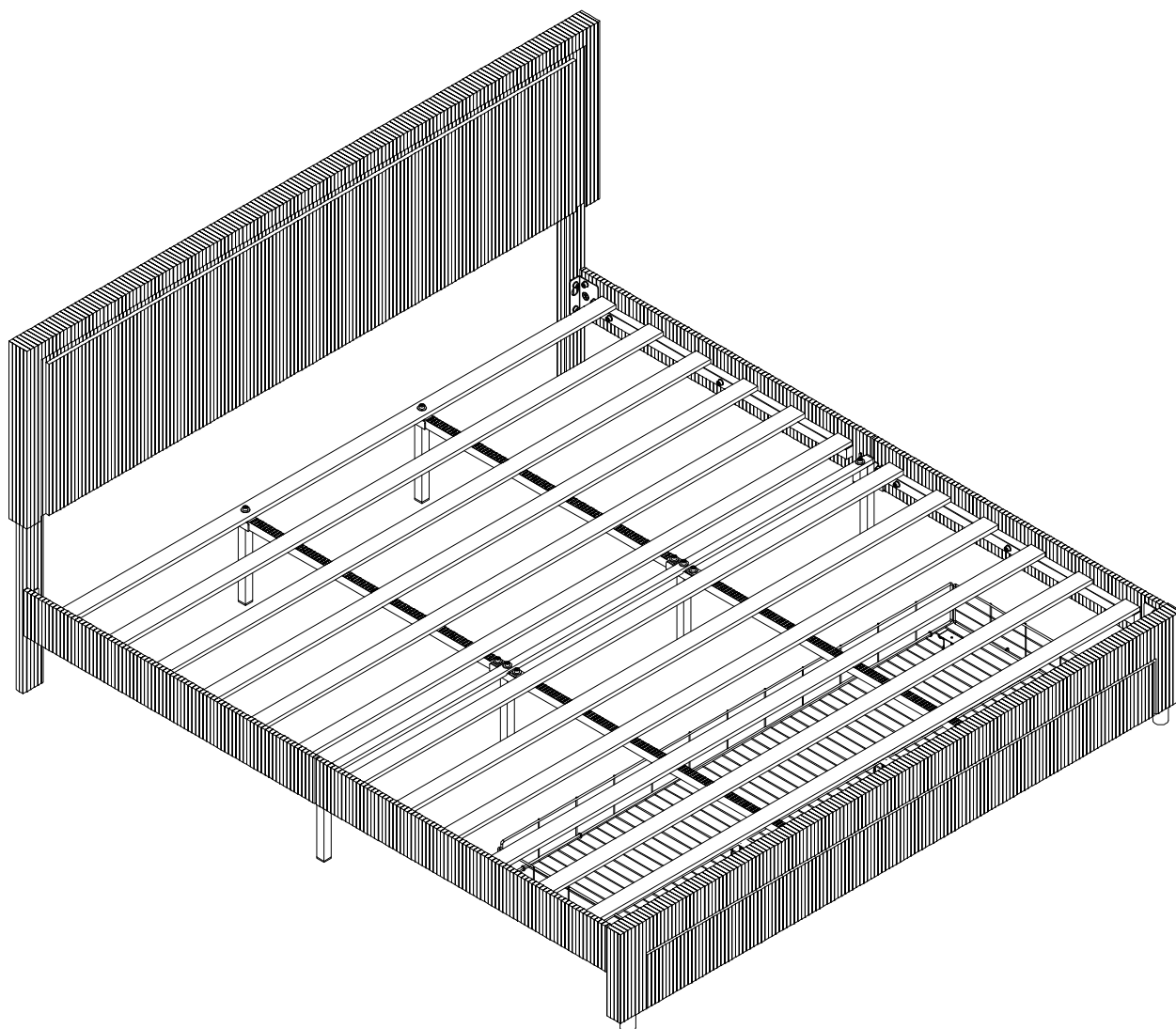


LED Upholstered Platform Bed



Friendly Customer Service

Satisfaction Guarantees: Any problems with assembly, quality, or return, please feel free to contact us directly.

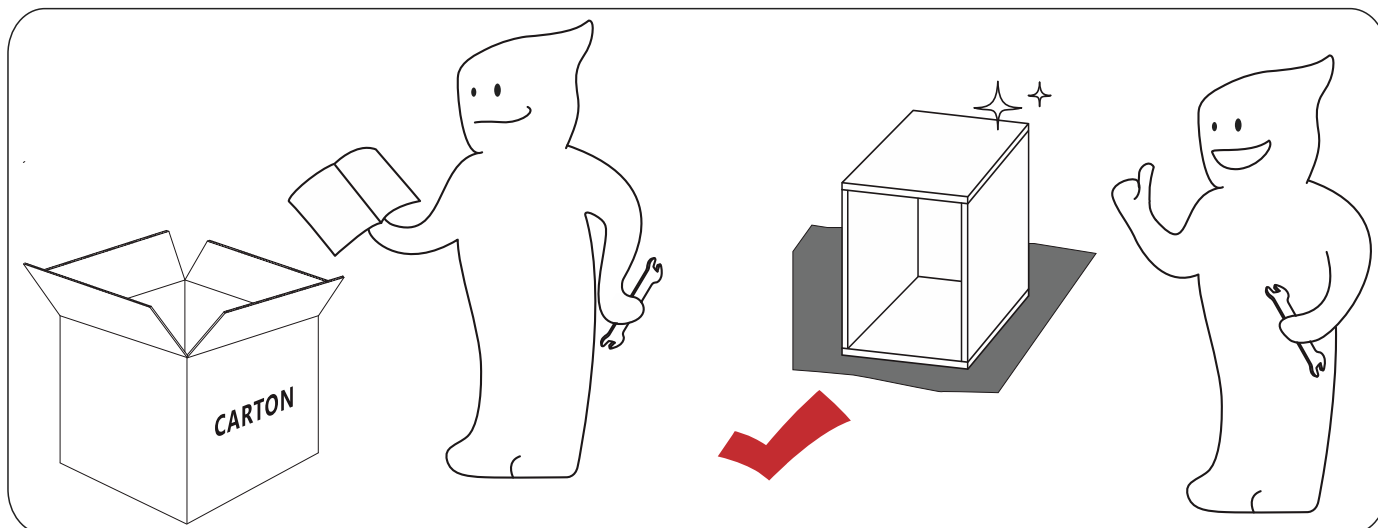
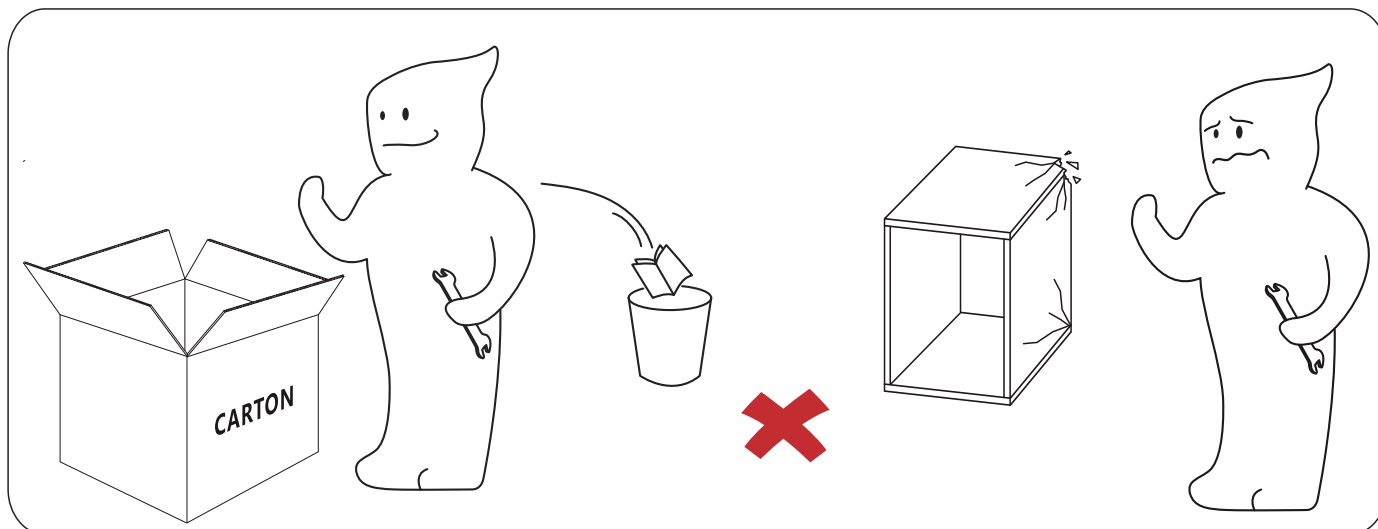
Contact us

Phone: +1 (901) 347-2181 (US) Mon-Fri 9am - 5pm (PST)

E-Mail: cs@howedirect.com (Get efficient feedback within 12 hours)

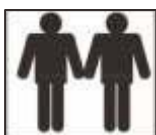
! IMPORTANT

Please follow the instruction manuals and use a pad to protect the product during your assembly.



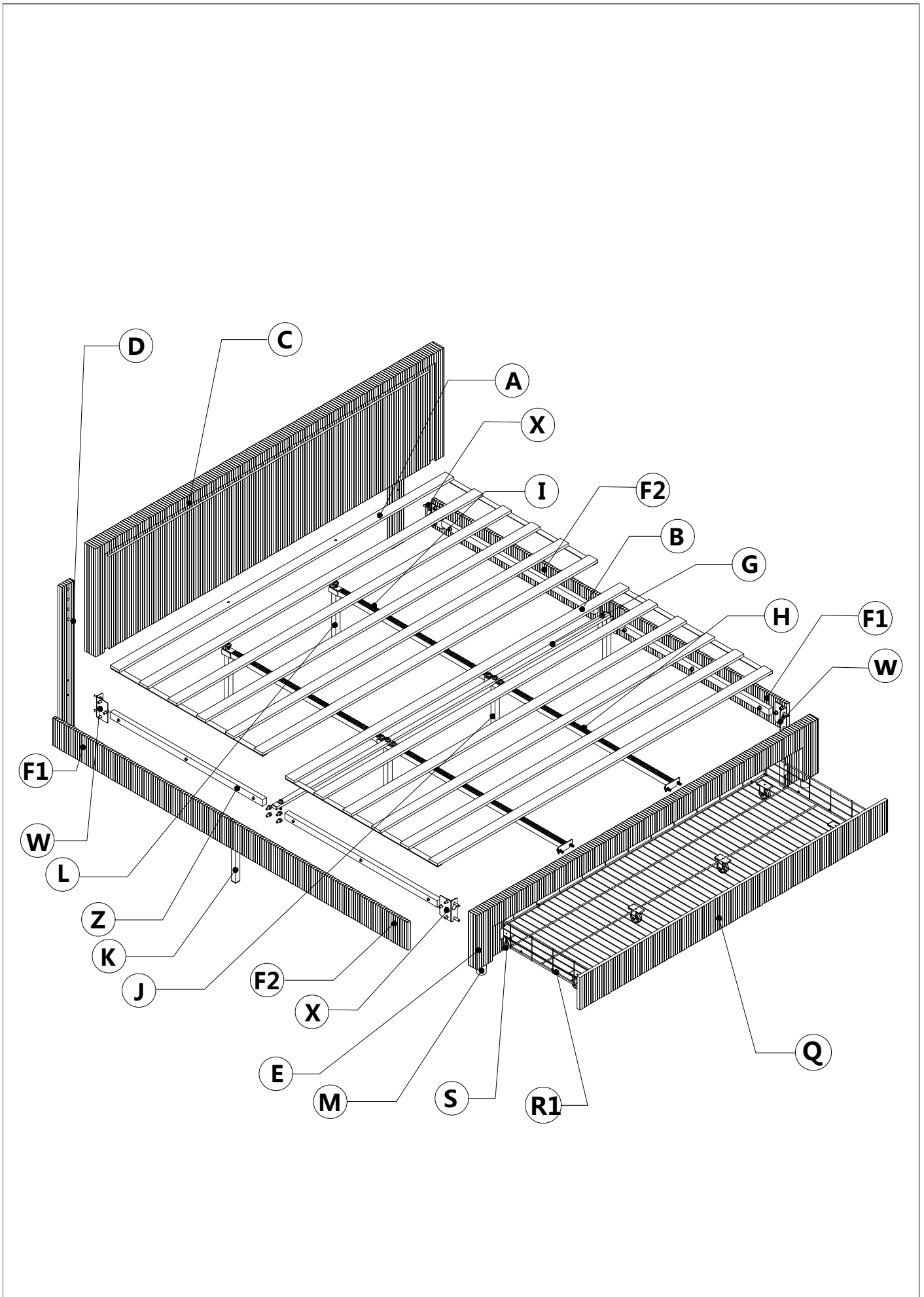
Note:

1. Should be assembled on flat ground to keep balance.
2. Before completing the installation, do not tighten the screws.

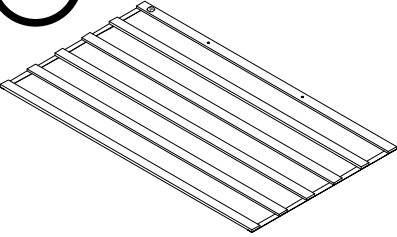
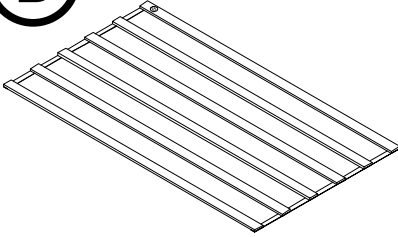
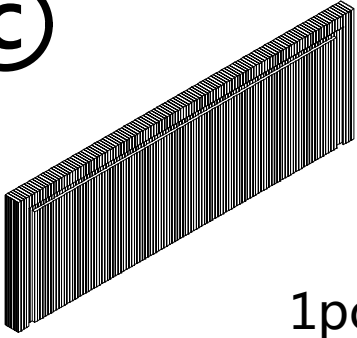
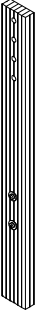
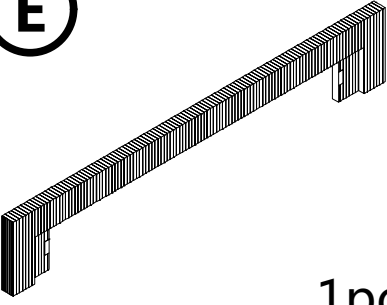
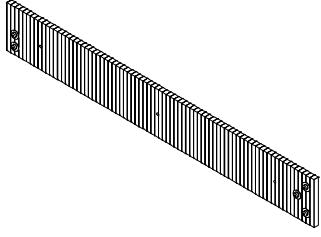
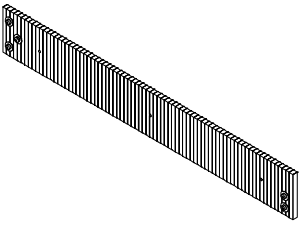
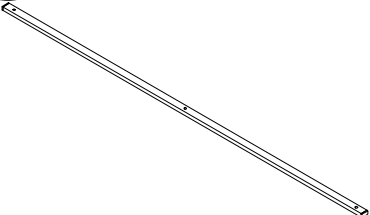
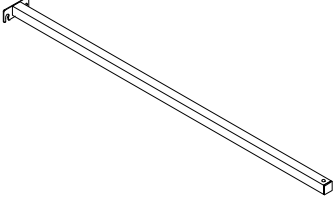
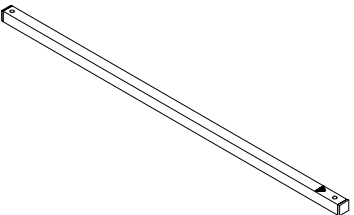
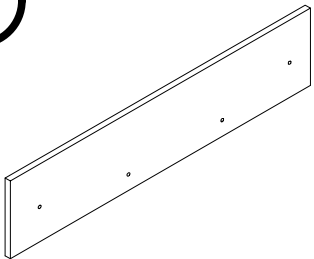
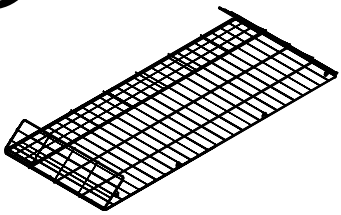
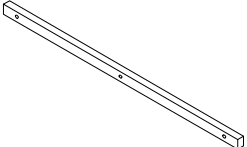


For easier and better assembly, **2** or more adults are required.

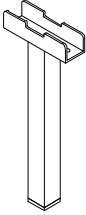
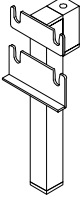


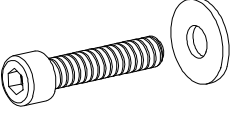
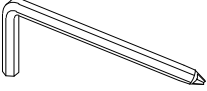
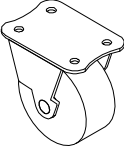
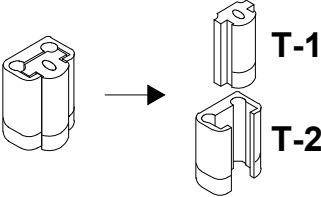
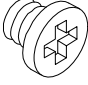
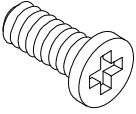
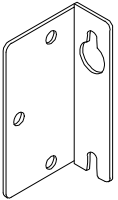
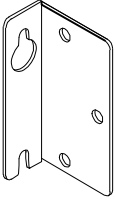
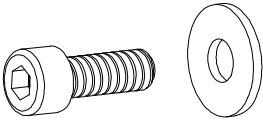


ASSEMBLY INSTRUCTIONS



BED FRAME PARTS LIST

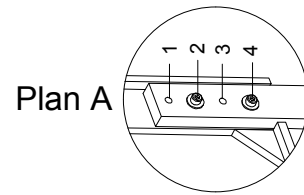
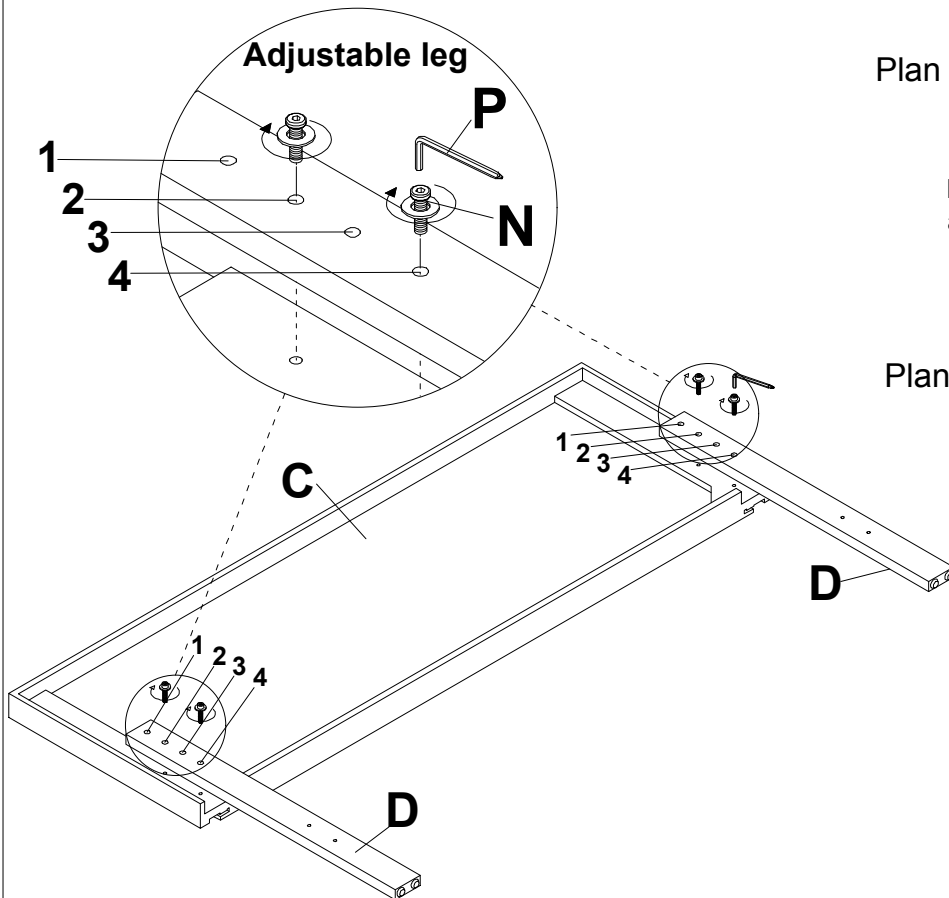
<p>(A)</p>  <p>1pc</p>	<p>(B)</p>  <p>1pc</p>	<p>(C)</p>  <p>1pc</p>
<p>(D)</p>  <p>2pcs</p>	<p>(E)</p>  <p>1pc</p>	<p>(F1)</p>  <p>2pcs</p>
<p>(F2)</p>  <p>2pcs</p>	<p>(G)</p>  <p>1pc</p>	<p>(H)</p>  <p>2pcs</p>
<p>(I)</p>  <p>2pcs</p>	<p>(Q)</p>  <p>1pc</p>	<p>(R1)</p>  <p>1pc</p>
<p>(Z)</p>  <p>4pcs</p>		

FITTING PARTS LIST

<p>(J)</p>  <p>2pcs</p>	<p>(K)</p>  <p>2pcs</p>	<p>(L)</p>  <p>2pcs</p>
<p>(M)</p>  <p>2pcs</p>	<p>(N)</p>  <p>M8 X45mm 14pcs+1pc</p>	<p>(P)</p>  <p>M8 Spanner 1pc</p>
<p>(S)</p>  <p>6pcs</p>	<p>(T)</p>  <p>T-1 T-2</p> <p>2pcs</p>	<p>(U)</p>  <p>M6 X6mm 6pcs+1pc</p>
<p>(V)</p>  <p>M6 X15mm 4pcs+1pc</p>	<p>(W)</p>  <p>2pcs</p>	<p>(X)</p>  <p>2pcs</p>
<p>(Y)</p>  <p>M8 X40mm 12pcs</p>	<p>(W1)</p>  <p>1pc</p>	<p>(X1)</p>  <p>1pc</p>

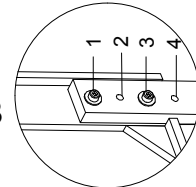
ASSEMBLY INSTRUCTIONS

STEP 1





Plan A

Fits a 10 inch thick mattress when attach screws to Hole 2 & Hole 4.

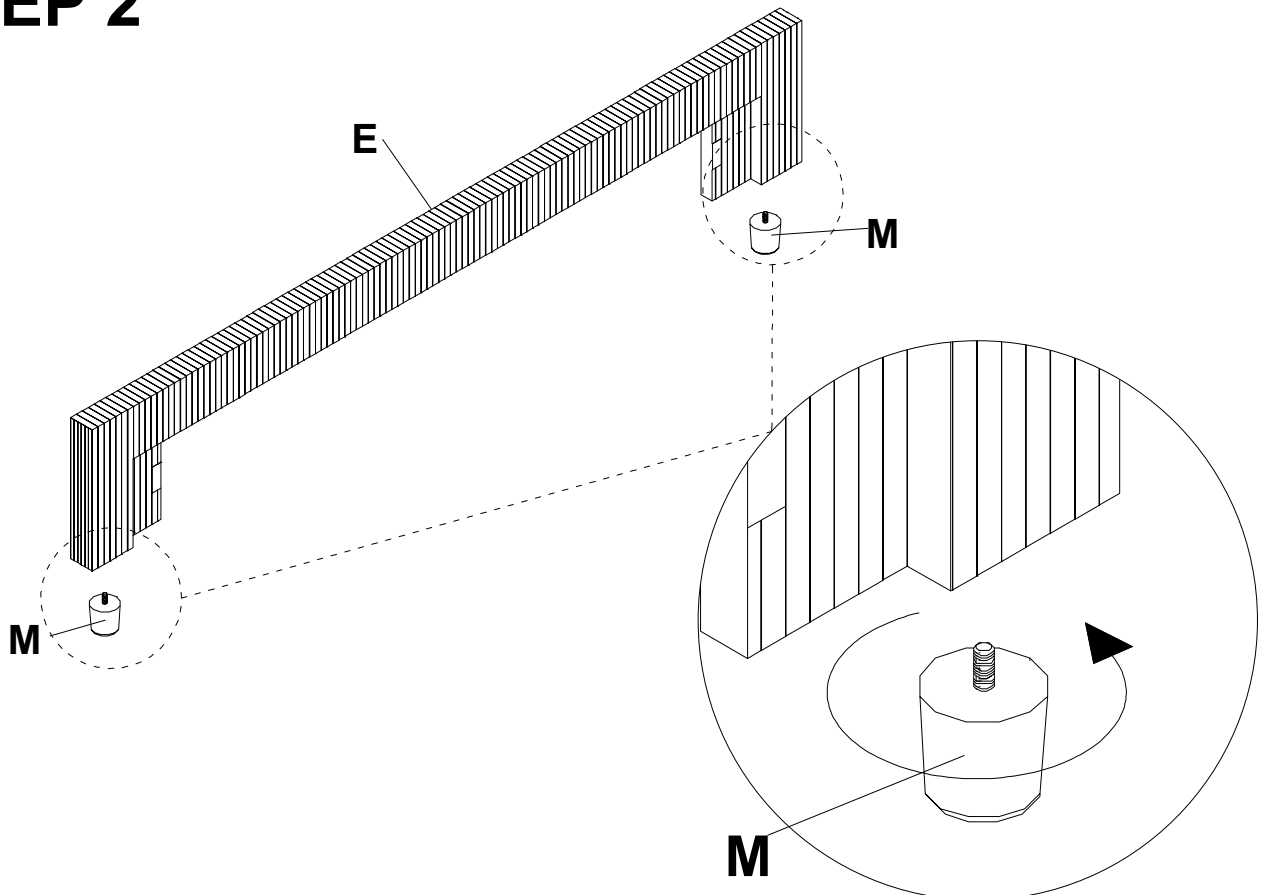


Plan B

Fits a 12 inch thick mattress when attach screws to Hole 1 & Hole 3.

	N x 4pcs
M8 X45mm	
	P x 1pc

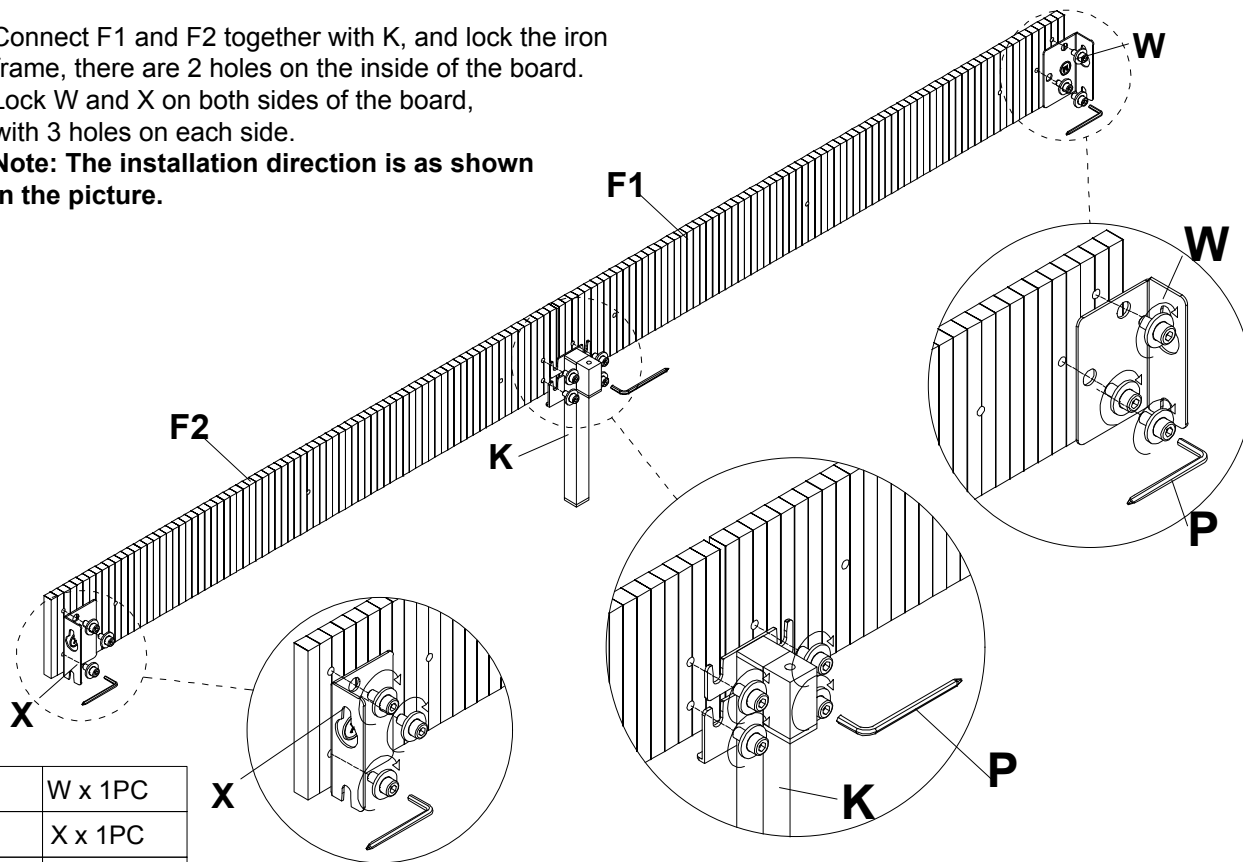
STEP 2



STEP 3

Connect F1 and F2 together with K, and lock the iron frame, there are 2 holes on the inside of the board.
Lock W and X on both sides of the board, with 3 holes on each side.

Note: The installation direction is as shown in the picture.

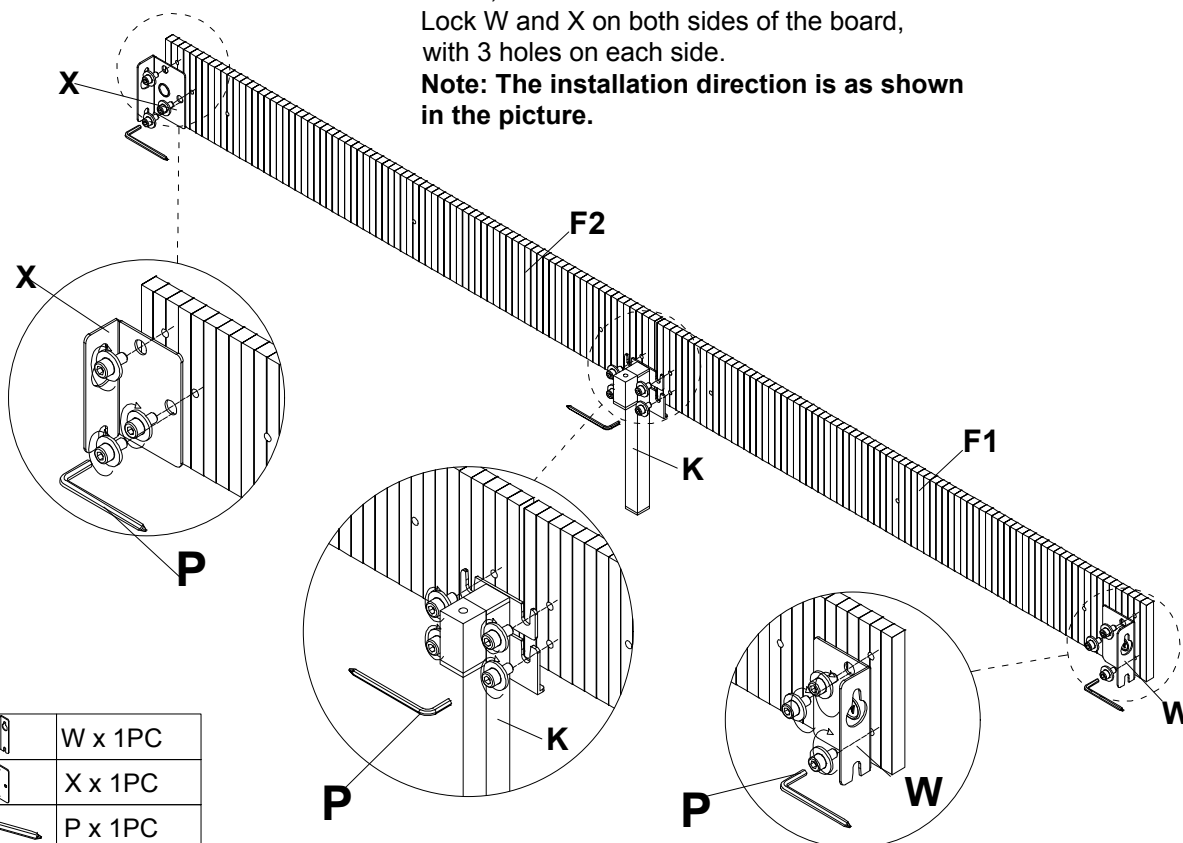


	W x 1PC
	X x 1PC
	P x 1PC

STEP 4

Connect F1 and F2 together with K, and lock the iron frame, there are 2 holes on the inside of the board.
Lock W and X on both sides of the board, with 3 holes on each side.

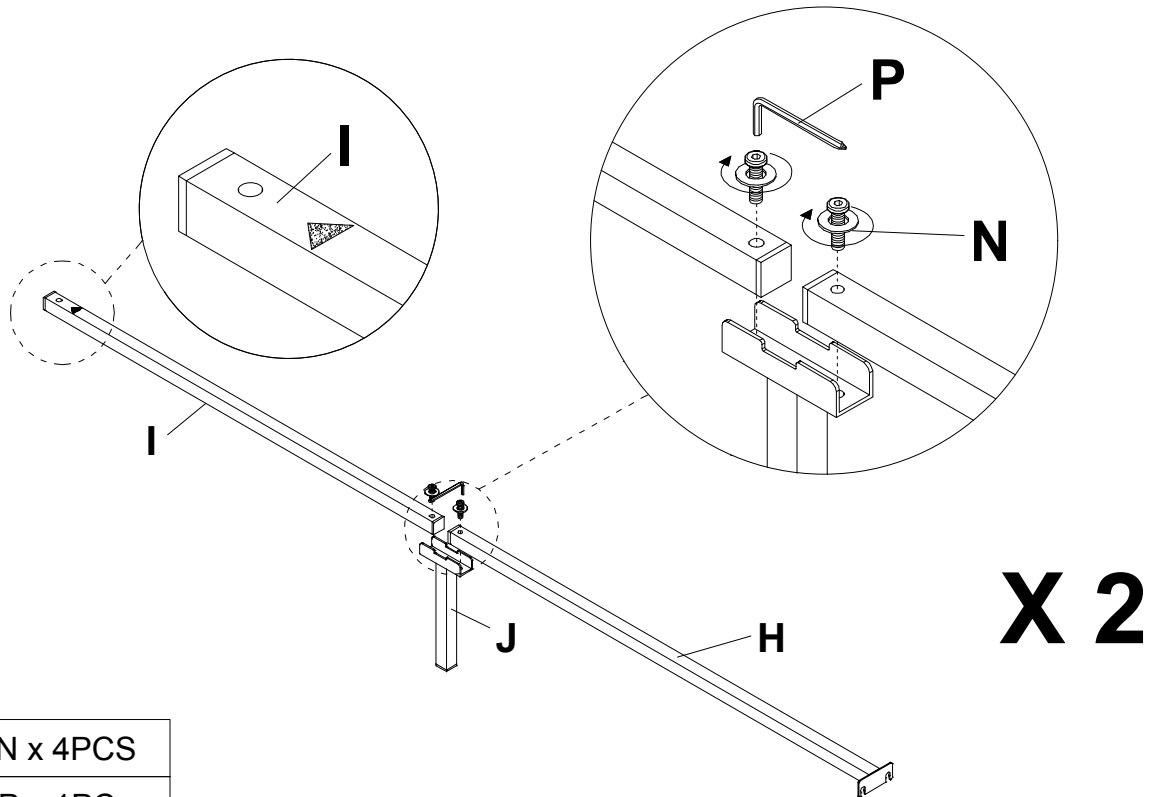
Note: The installation direction is as shown in the picture.





	W x 1PC
	X x 1PC
	P x 1PC

STEP 5

Noted that the middle cross beam, the direction of the red arrow is the front

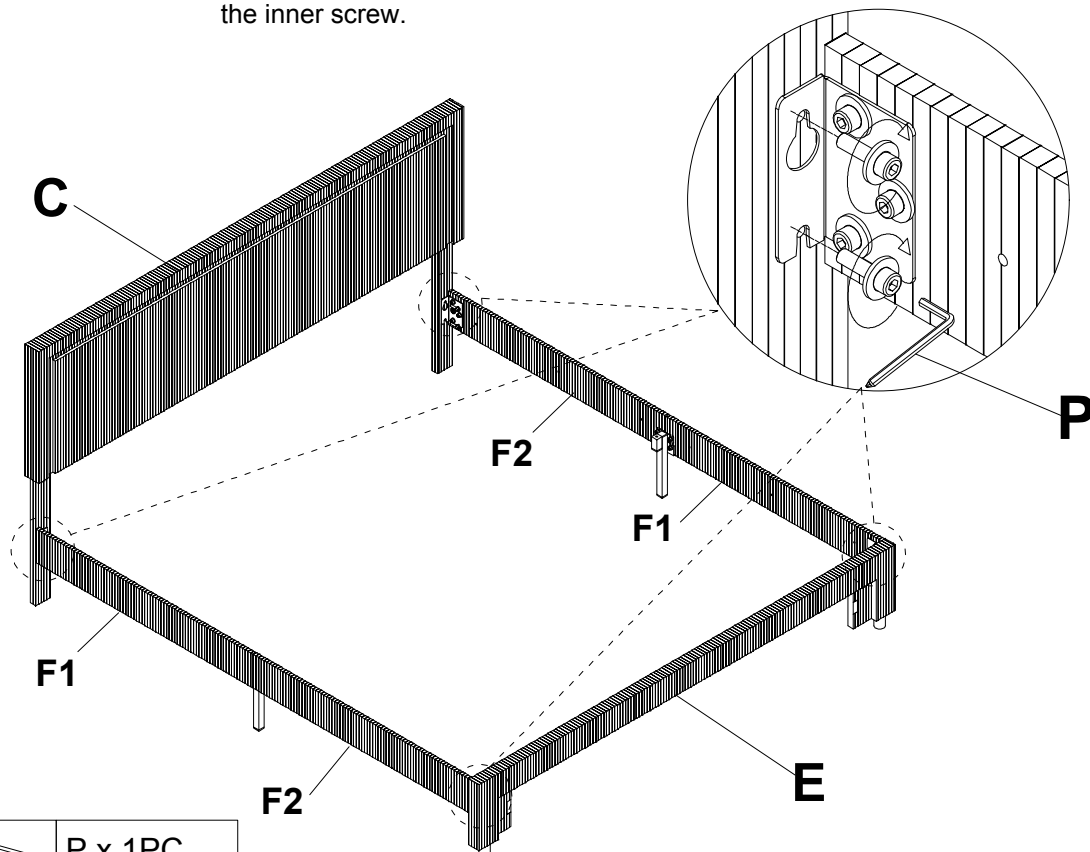


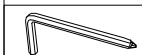
X 2

 M8 X45mm	N x 4PCS
	P x 1PC

STEP 6

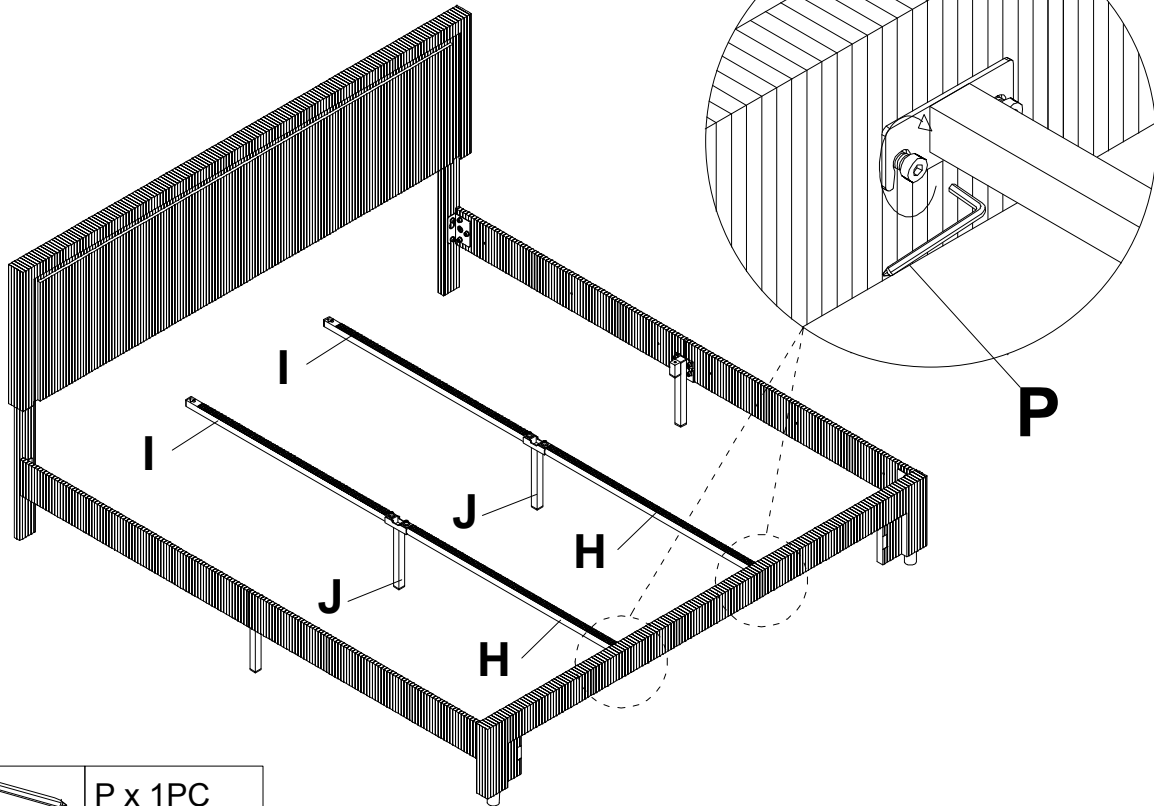
Loosen the screw of the headboard side leg and both sides of footboard, then hang the bracket on and tighten the inner screw.



	P x 1PC
---	---------

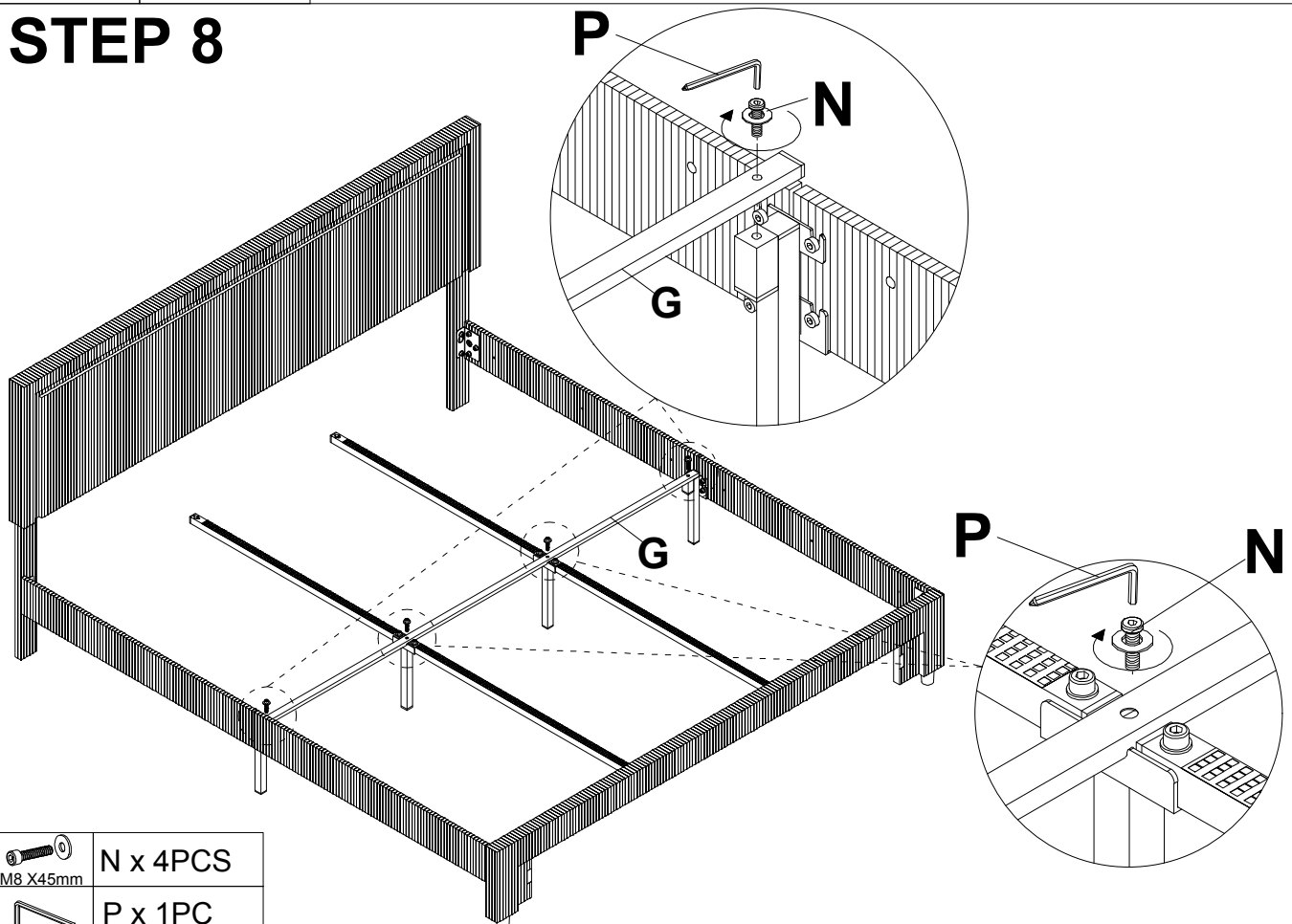
STEP 7

Loosen the screw in the middle of the footboard, then hang the bracket on and tighten the inner screw.



P x 1PC

STEP 8



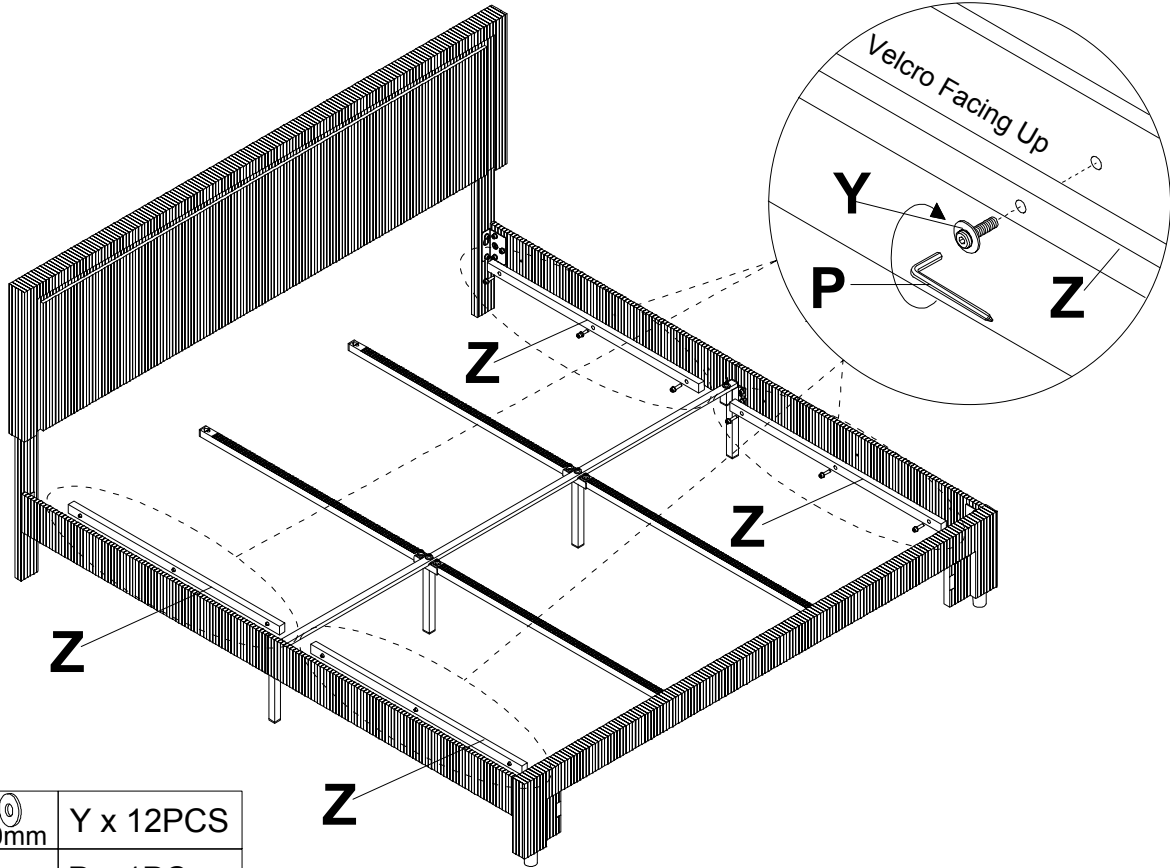
N x 4PCS



M8 X45mm



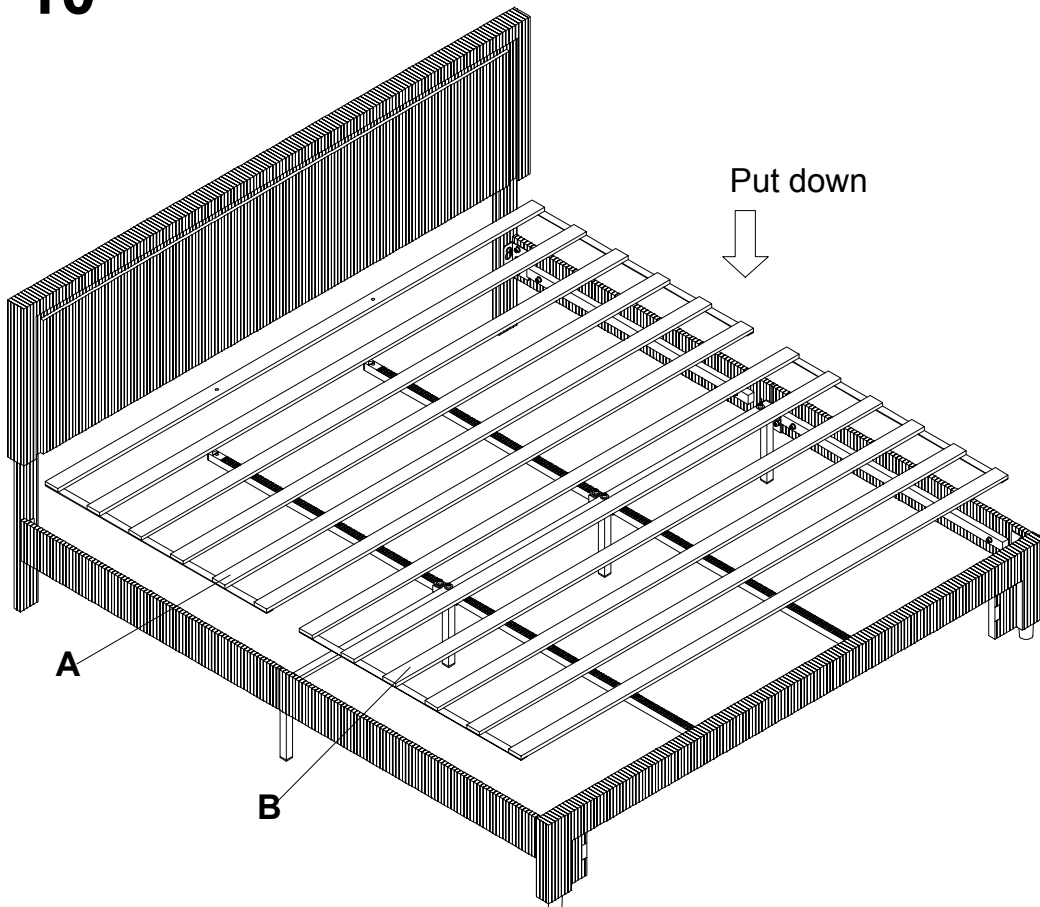
P x 1PC

STEP 9

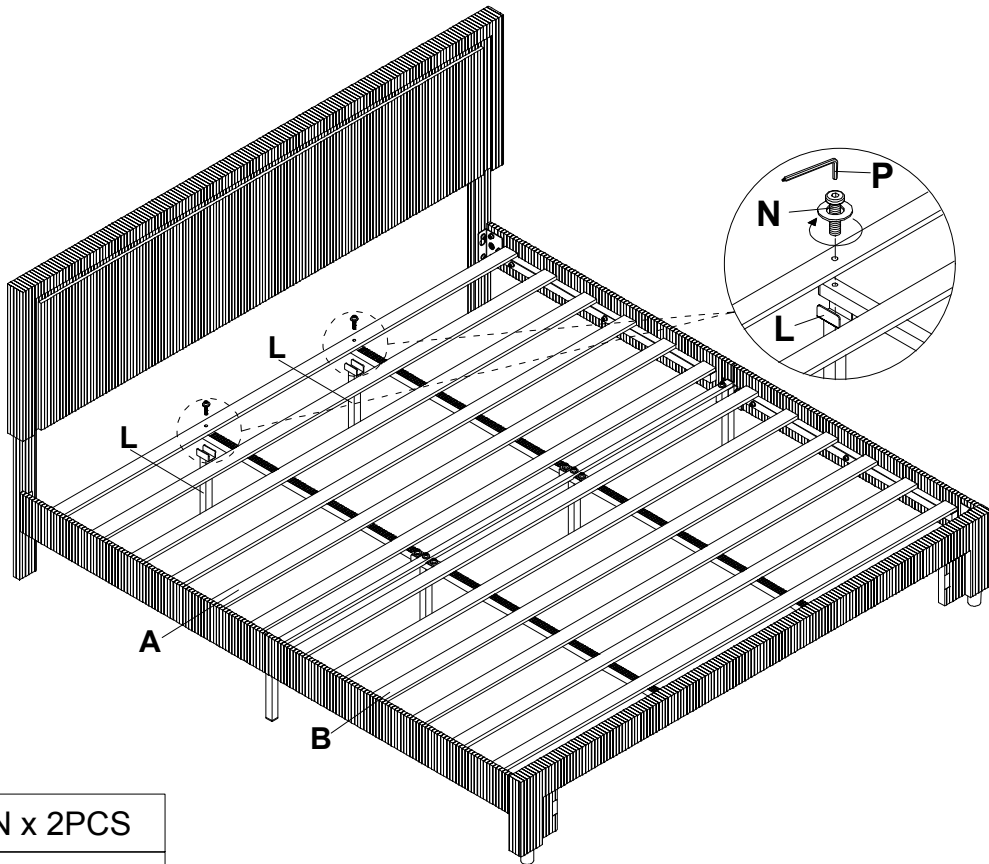




 M8 X40mm	Y x 12PCS
 P	P x 1PC

STEP 10

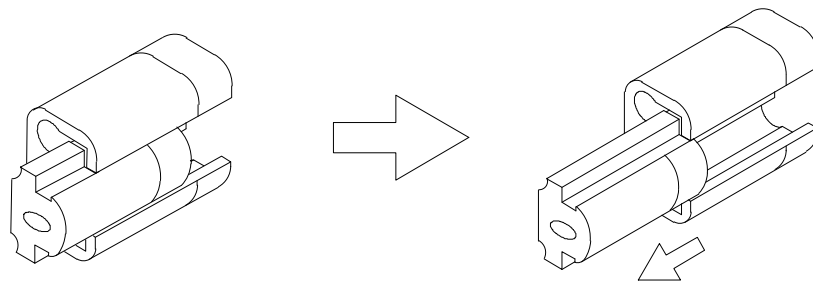


STEP 11

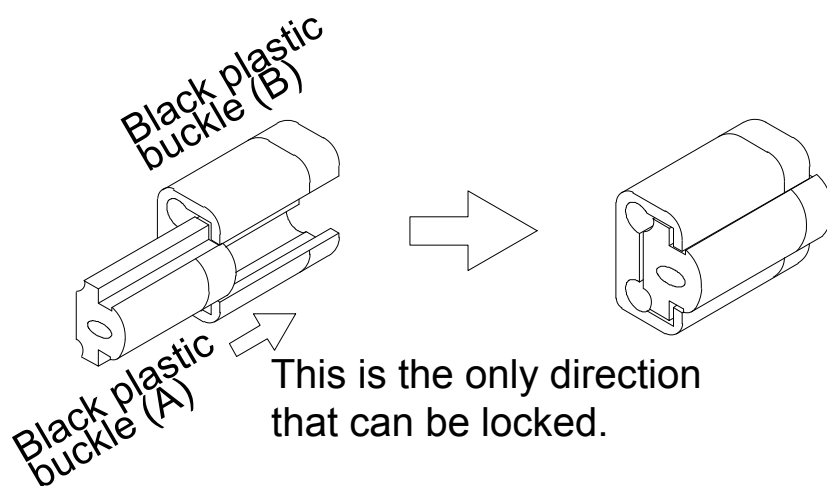


 M8 X45mm	N x 2PCS
	P x 1PC

STEP 12

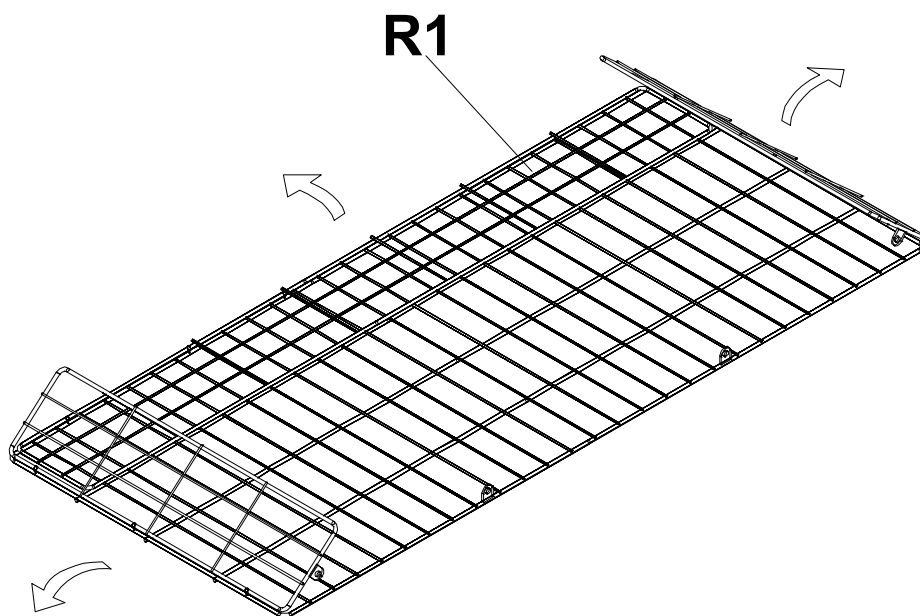


You can pull the buckle out by following the direction indicated by the arrow



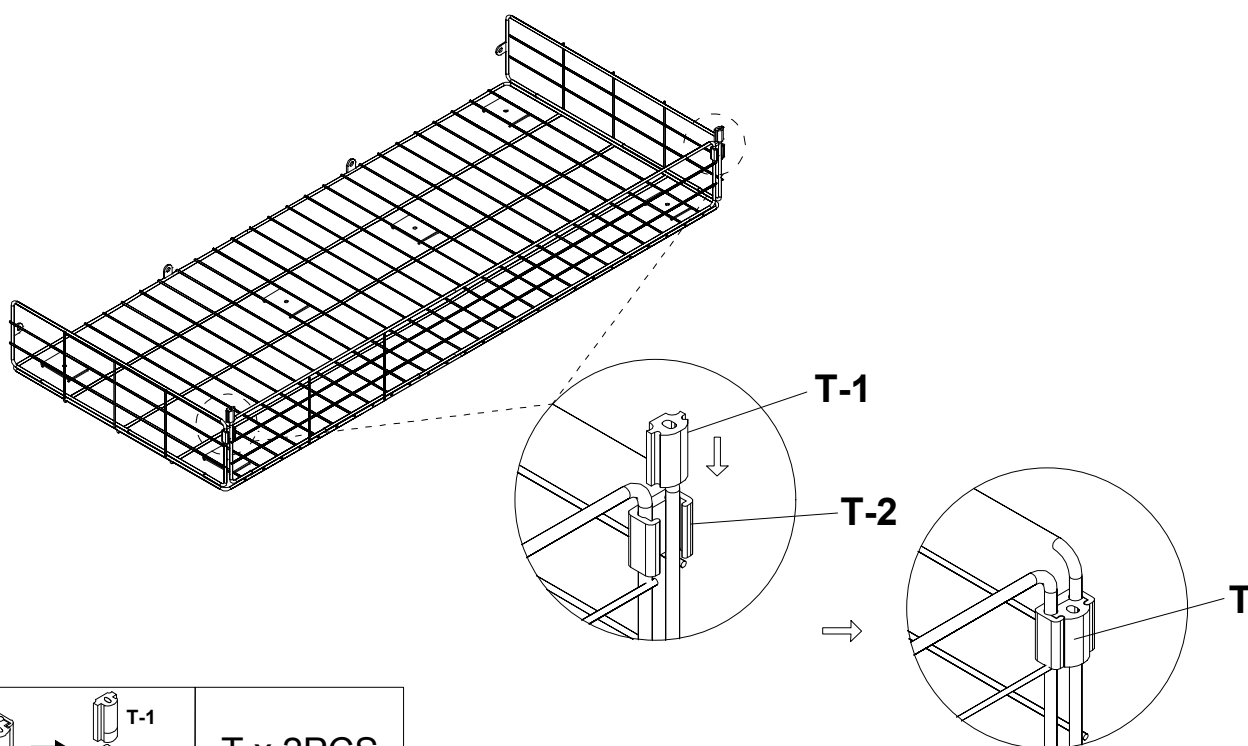
STEP 13

Unfold the drawer sides



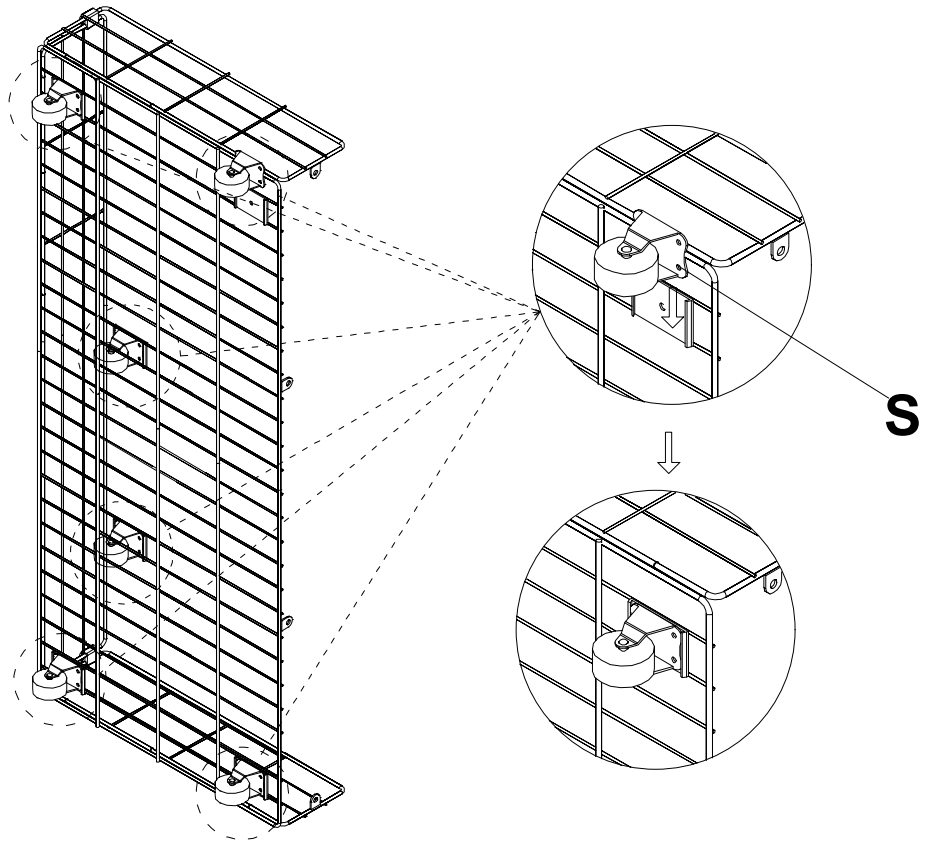
STEP 14

Use T to keep drawer sides in place



STEP 15

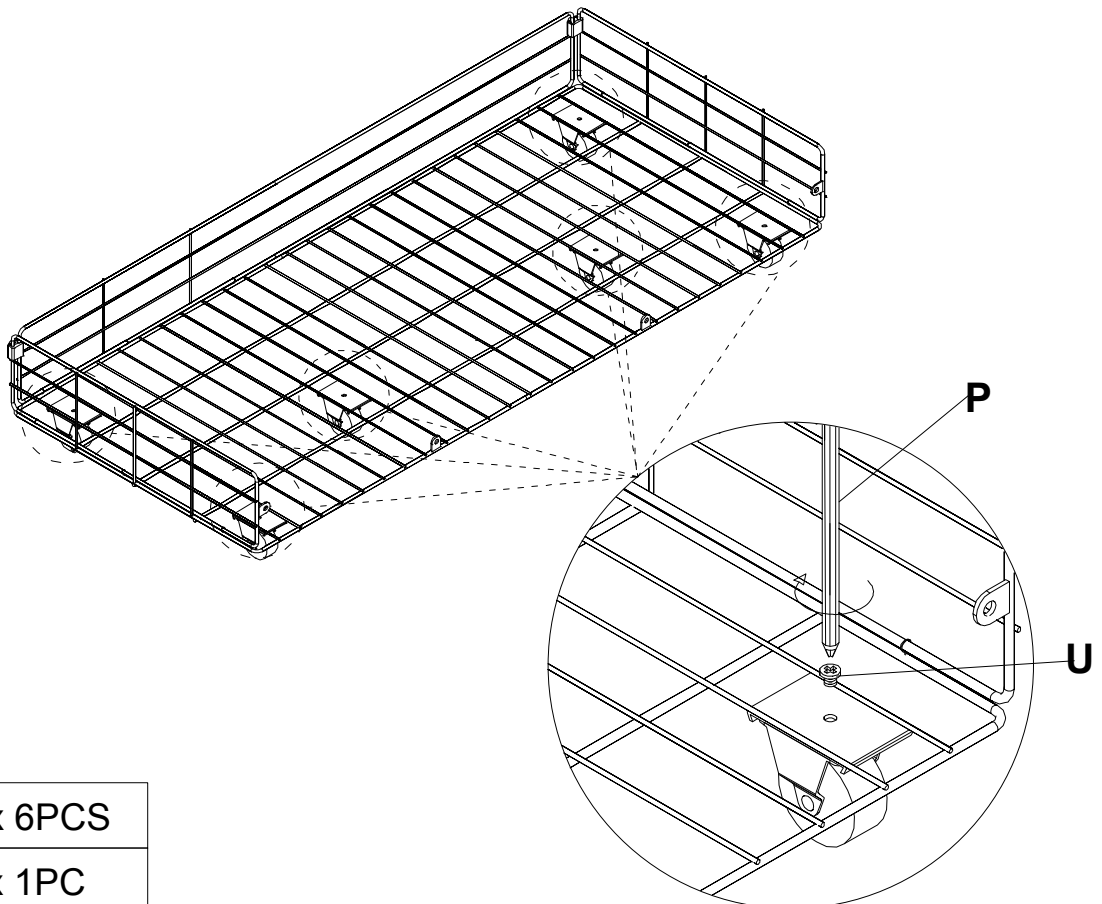
Insert wheels into slot from side



S x 6PCS

STEP 16

Secure the wheels with screws U



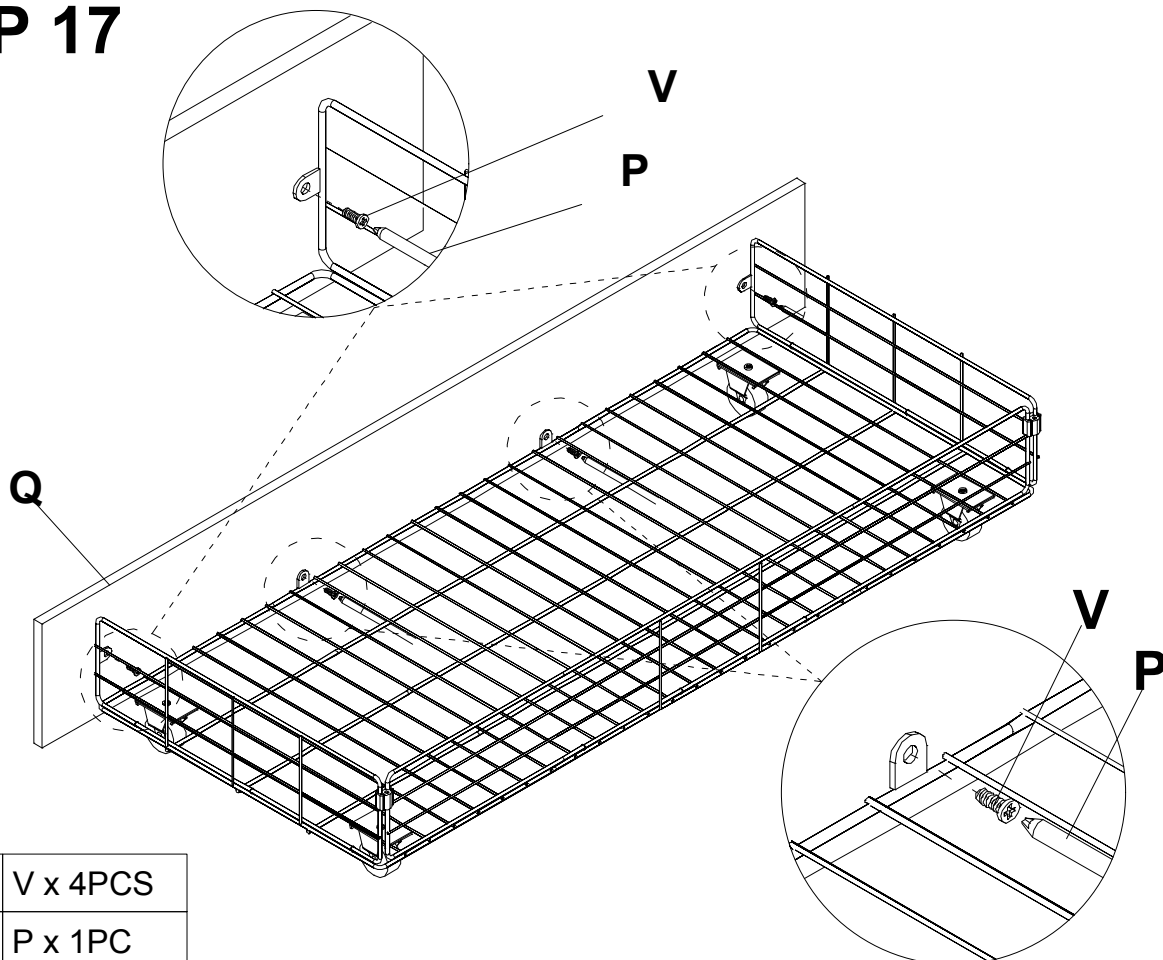
M6×6mm



U x 6PCS



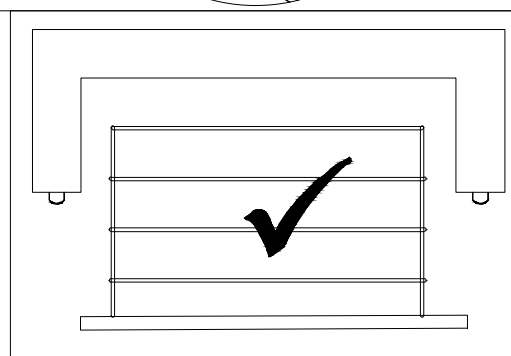
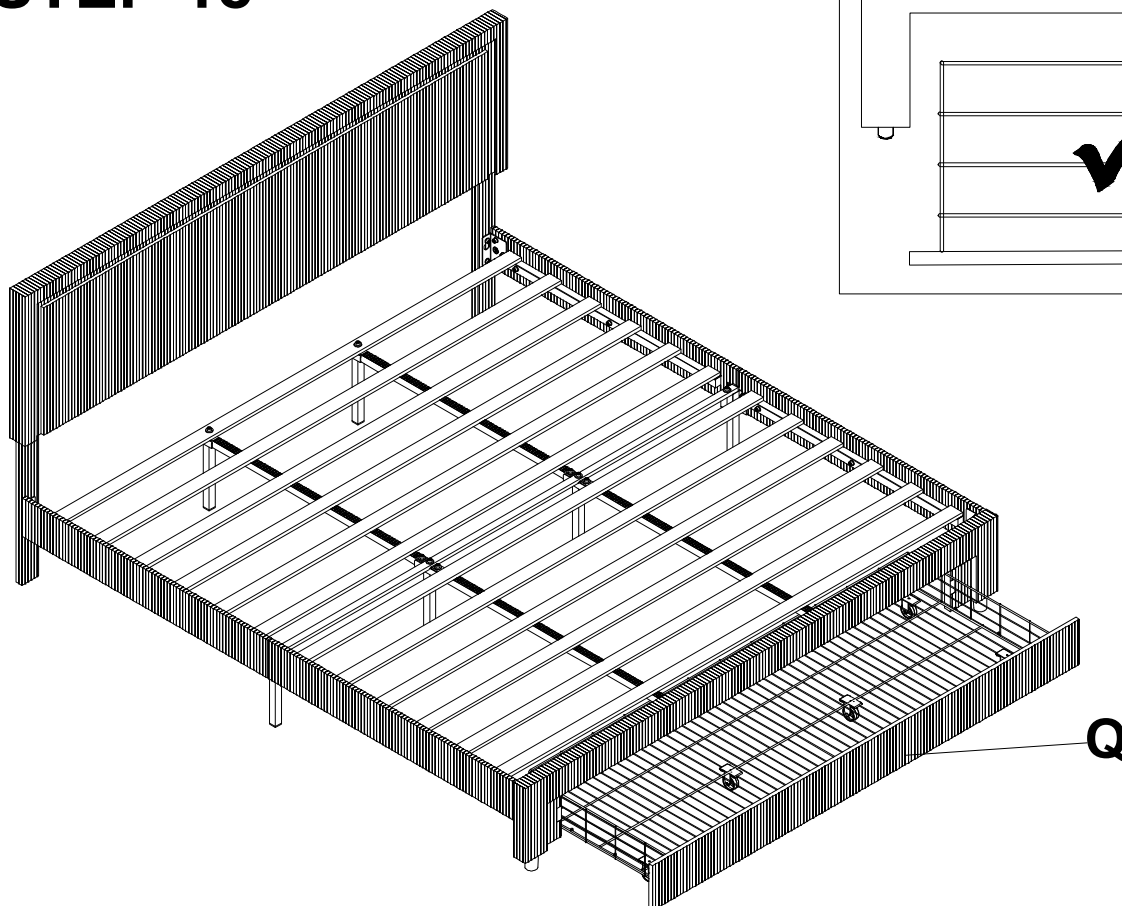
P x 1PC

STEP 17

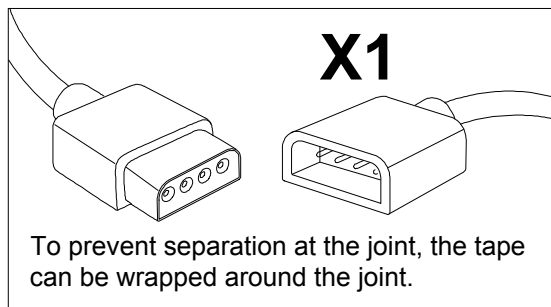


 M6×15mm	V x 4PCS
	P x 1PC

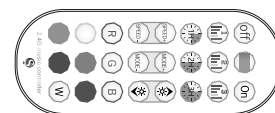
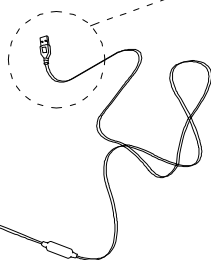
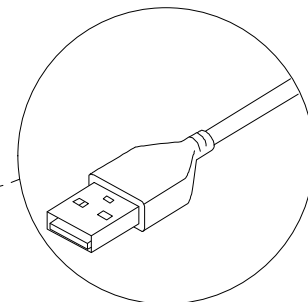
STEP 18



STEP 19

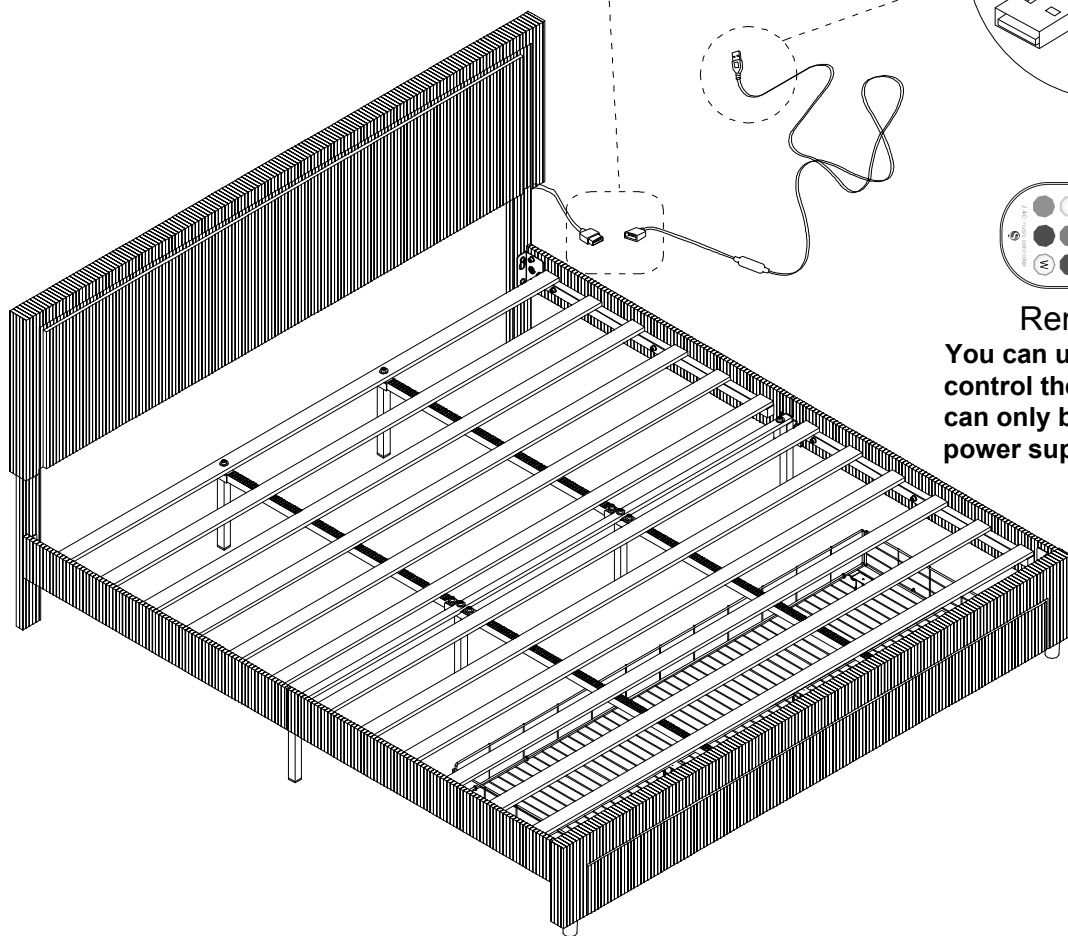


NOTE: The black part of the receiver (X1) needs to be exposed to air in order to better control the LED light.



Remote control

You can use the remote to control the light. The LED lamp can only be used after the power supply is connected.

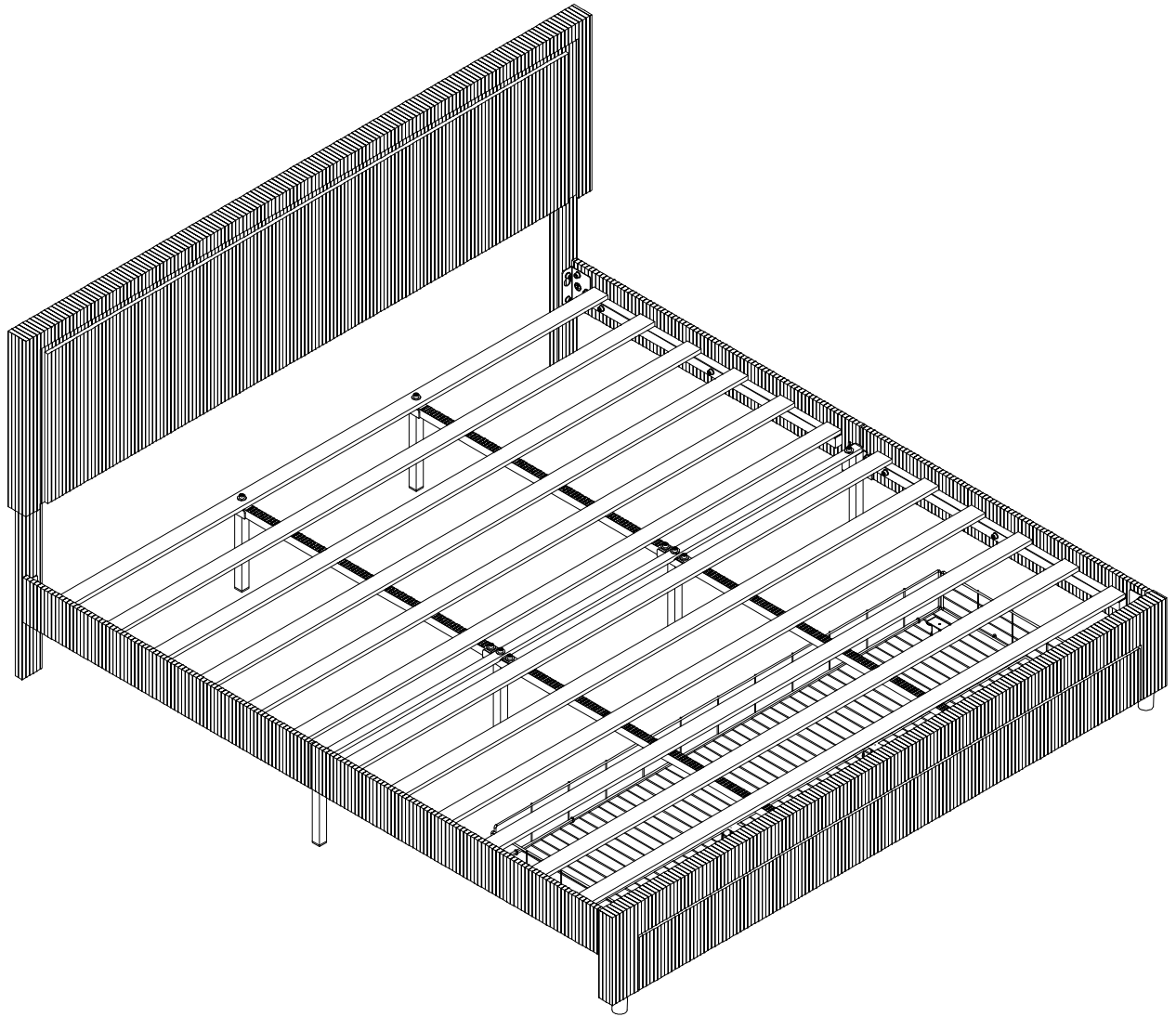


Please scan the QR code on the manual/controller and install the application.
 Step1: Please make sure your phone has Bluetooth enabled.
 Step2: The LED light will automatically connect to the APP.



X1 x 1PC

STEP 20



Installation Complete