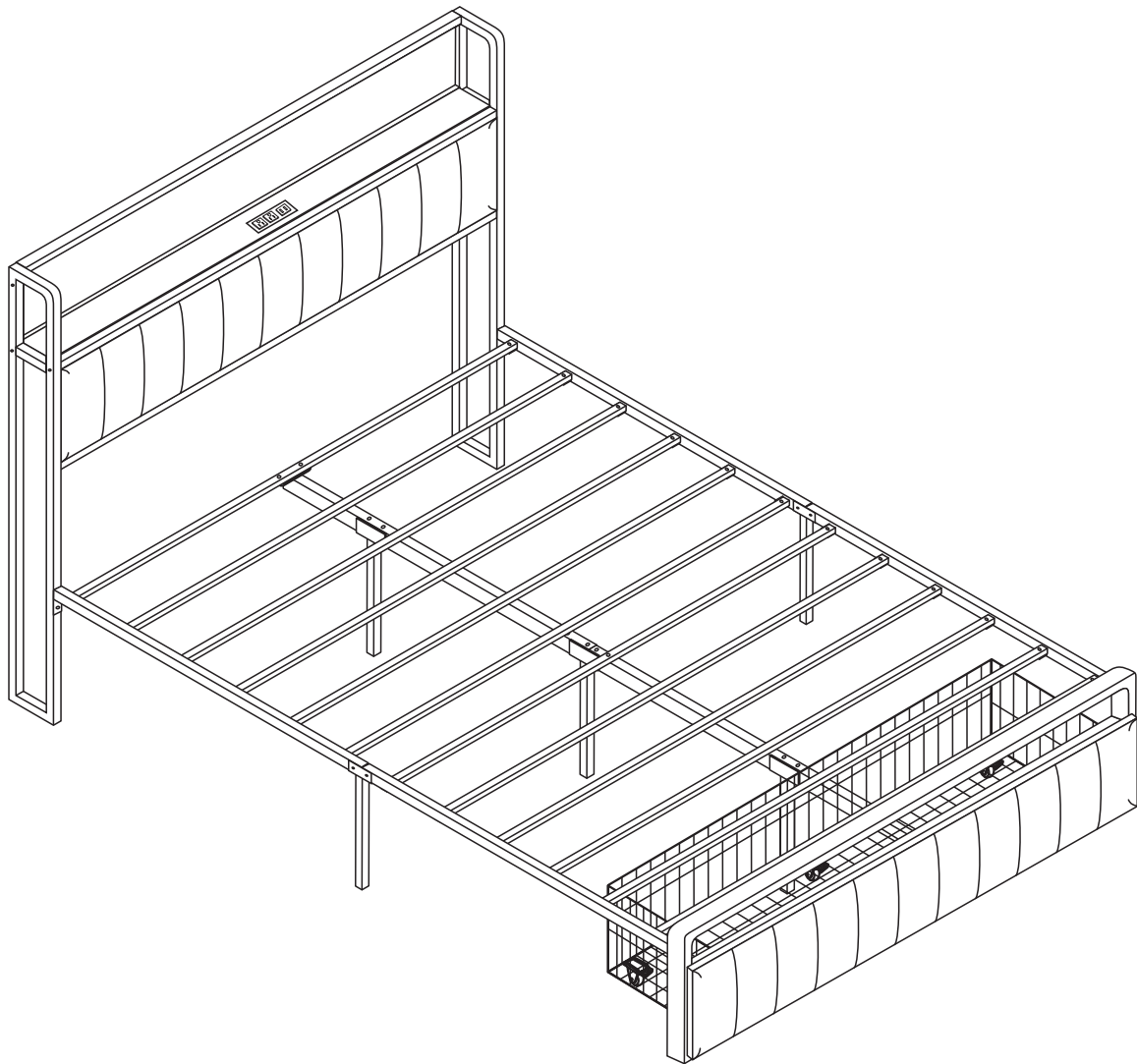


Bed Frame with Storage Headboard & Charging Station Assembly Instructions

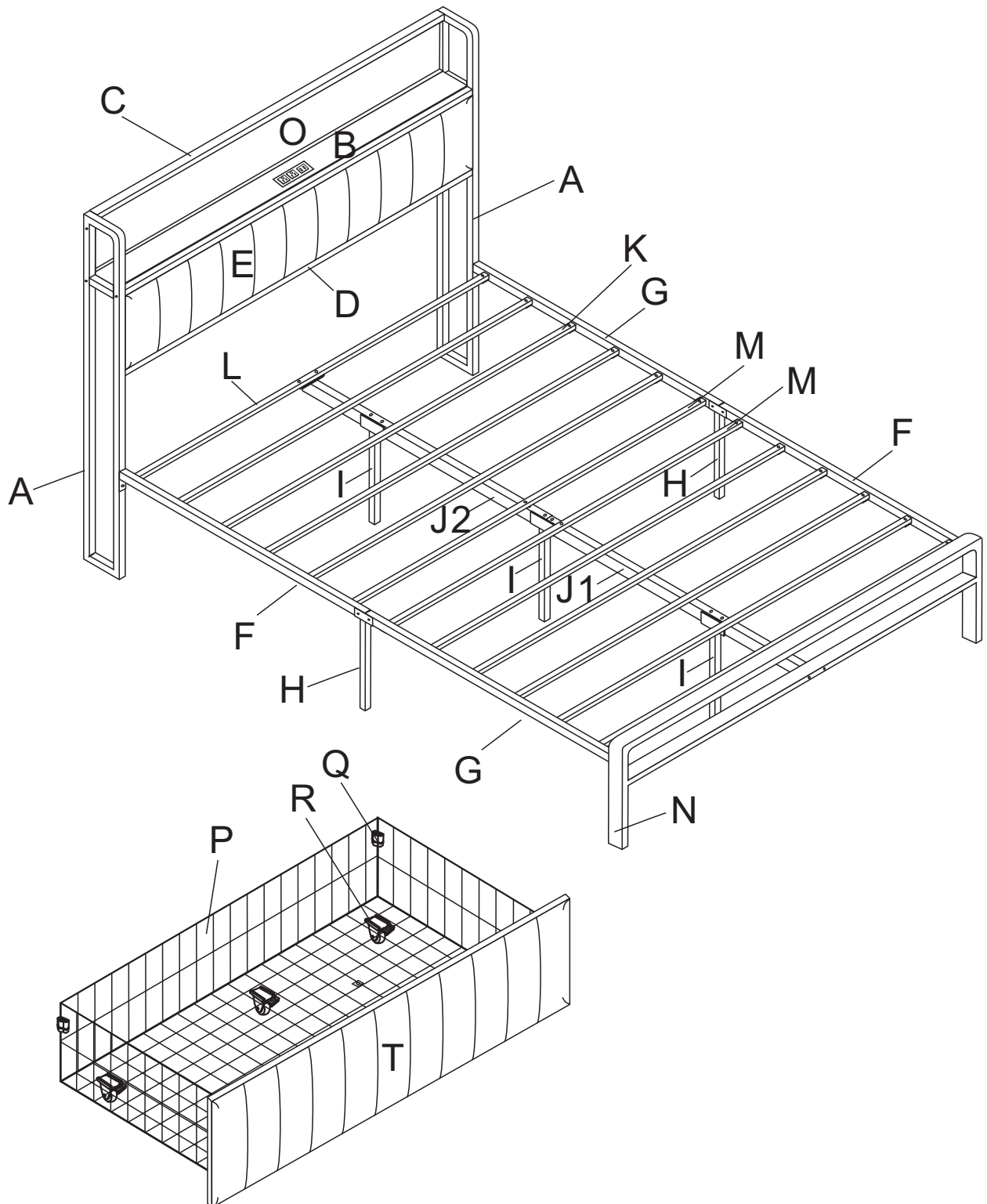


Dear Customers,

Thank you for purchasing our product. Please read this instruction manual carefully after receiving this product. It will help you assemble this product quickly, safely and correctly. You can keep this manual for future reference.

MADEINCHINA

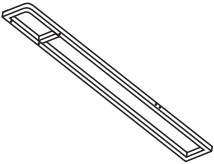


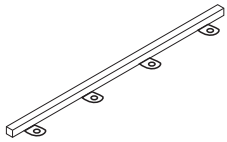
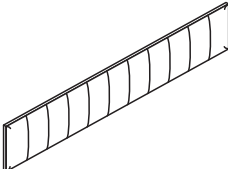
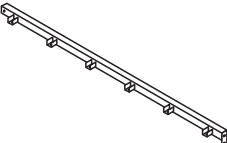
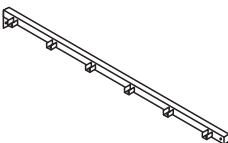


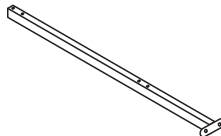
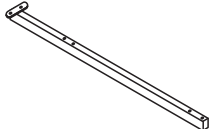
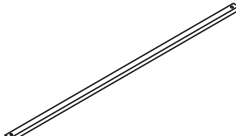
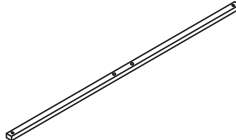
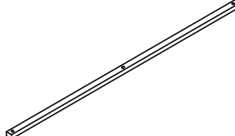
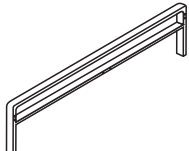
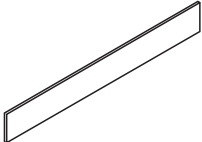
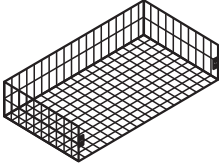
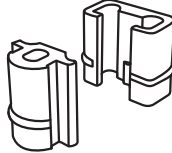
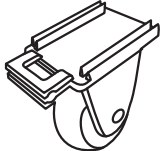

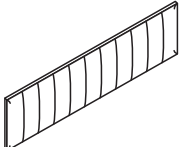
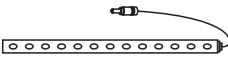
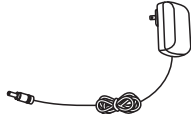

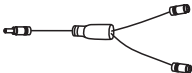







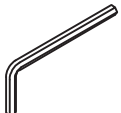

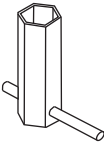
ASSEMBLY INSTRUCTIONS



Notice: Do not tighten the screws too tightly at the beginning of the assembly. After each hole position is matched well, apply gentle force to screw, if there is no problem, then tighten all the screws.

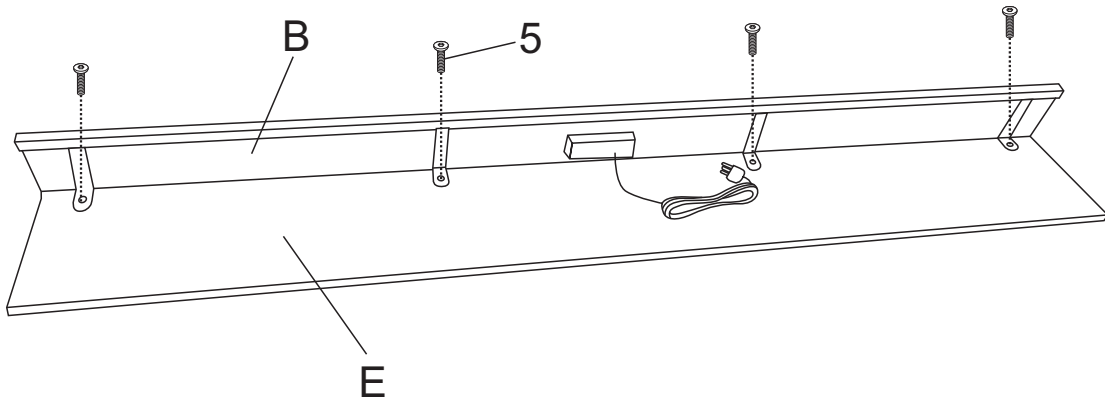
ASSEMBLY INSTRUCTIONS


PARTSLIST

A x2PCS 	B x1PC 	C x1PC 	D x1PC 	E x1PC 	
F x2PCS 	G x2PCS 	H x2PCS 	I x3PCS 	J1 x1PC 	
J2 x1PC 	K x9PCS 	L x1PC 	M x2PCS 	N x1PC 	
O x1PC 	P x1PC 	Q x2PCS 	R x6PCS 	S x2PCS 	
T x1PC 	U x2PCS 	V x1PC 	W x2PCS 	X x1PC 	
1 x20PCS  M8x40mm	2 x28PCS  M6x25mm	3 x6PCS  M6x35mm	4 x2PCS  M8x10mm	5 x14PCS  M6x13mm	6 x2PCS  M6
7 x8PCS  M8	8 x1PC 	9 x1PC 	10 x1PC 		

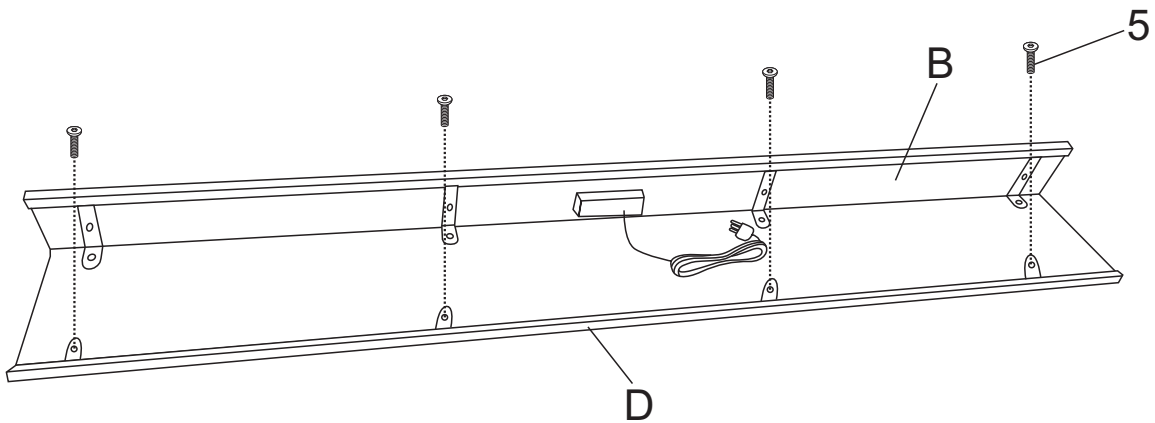
ASSEMBLY INSTRUCTIONS


1



5		4PCS
	M6x13mm	

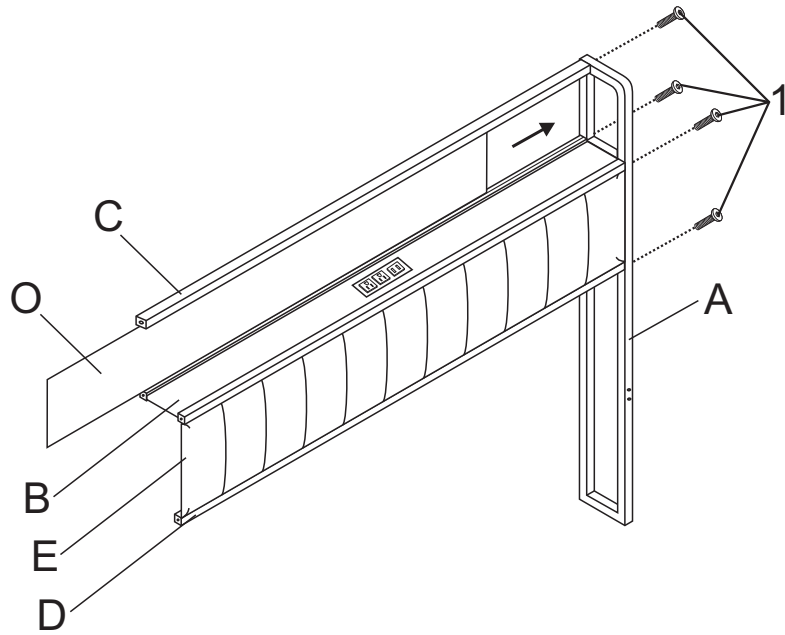
2




5		4PCS
	M6x13mm	

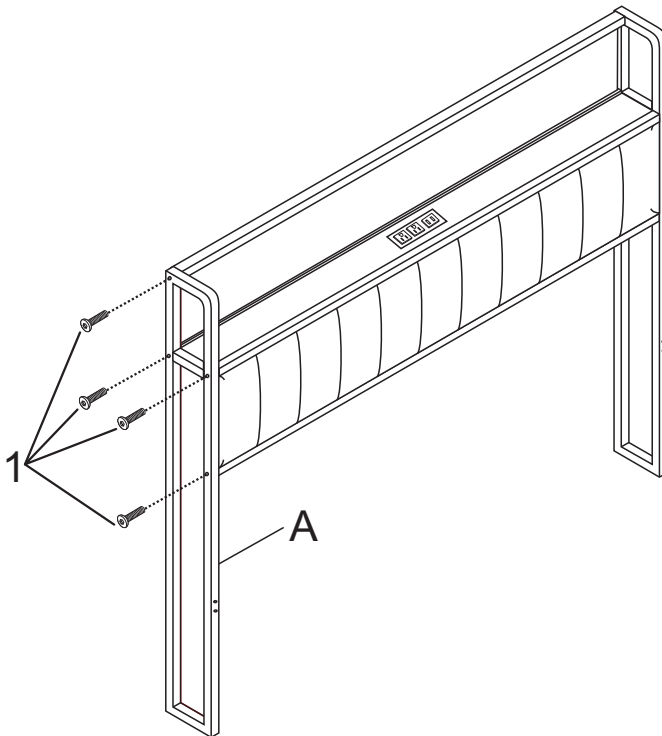
ASSEMBLY INSTRUCTIONS


3

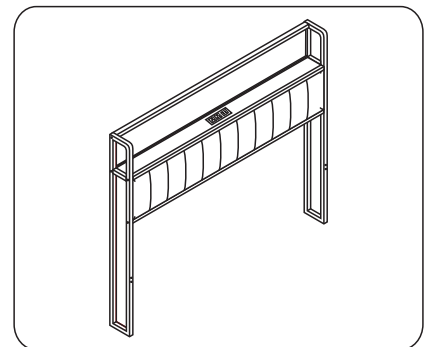


1	 M8x40mm	4PCS
---	--	------

4

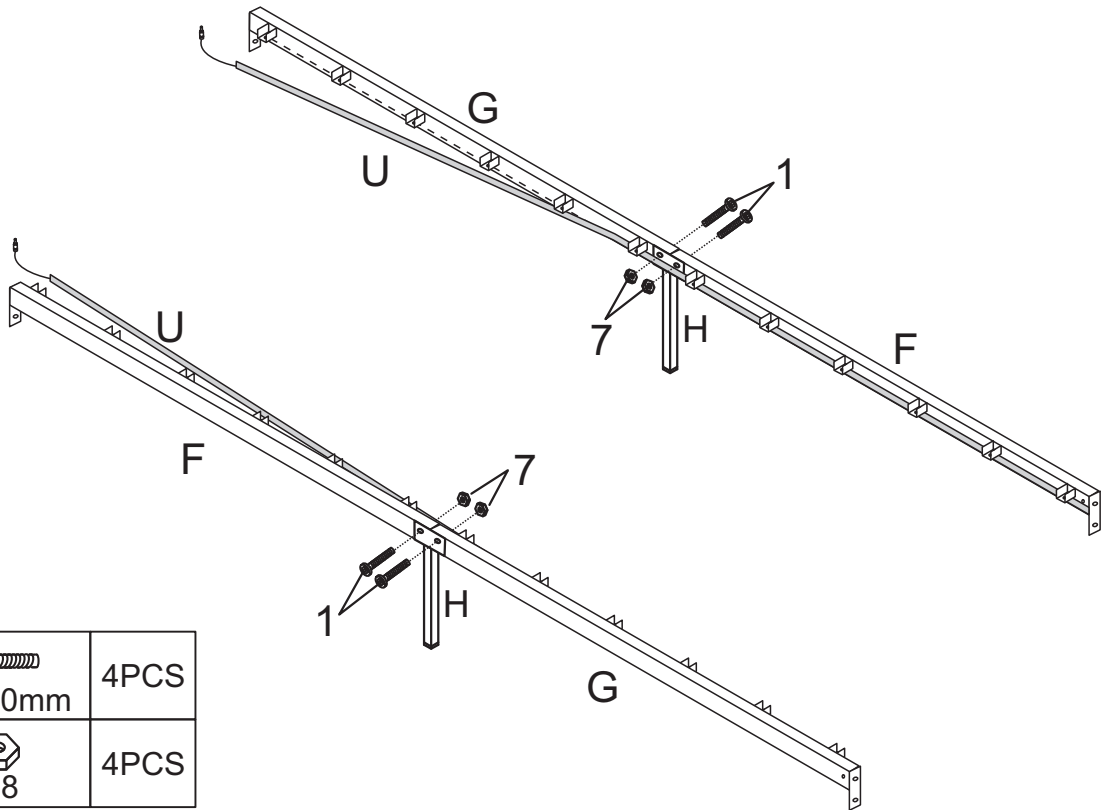




1	 M8x40mm	4PCS
---	--	------



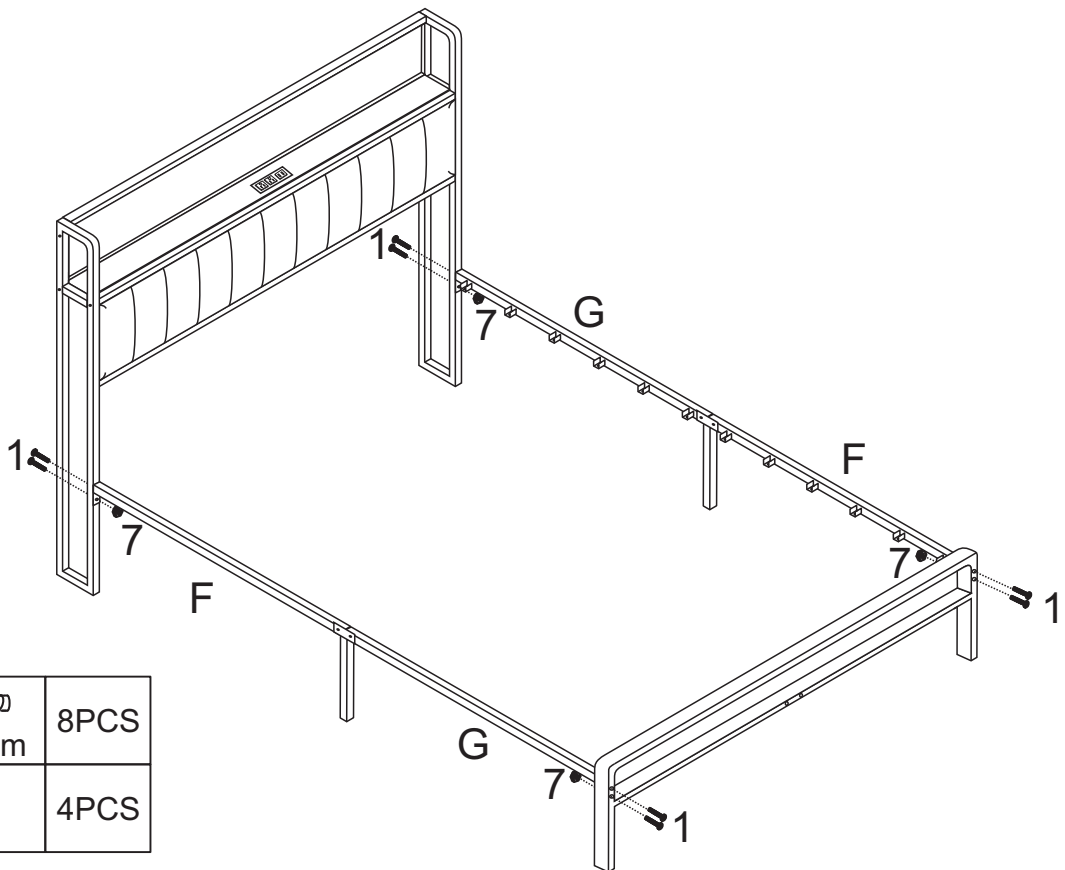
ASSEMBLY INSTRUCTIONS



5



1	 M8x40mm	4PCS
7	 M8	4PCS

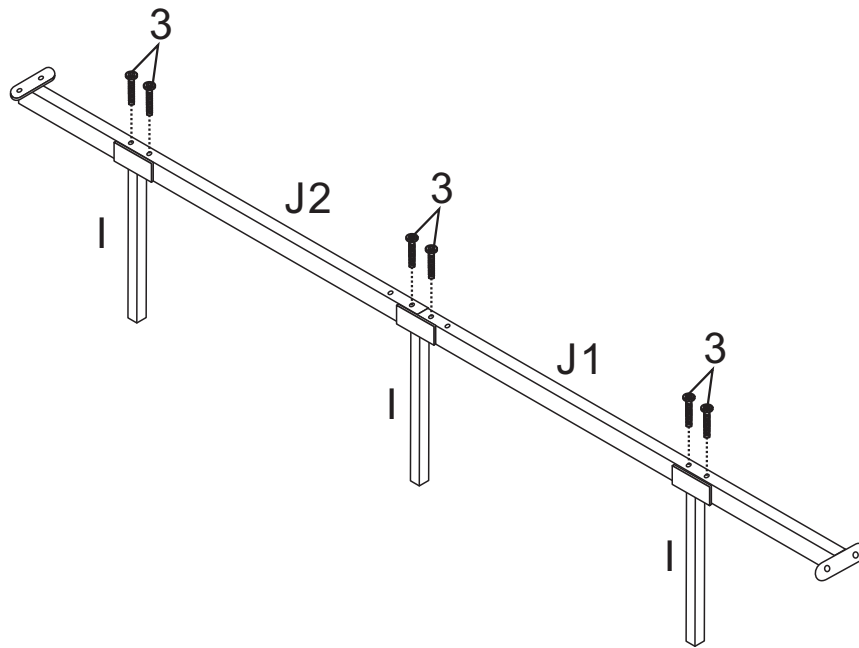
6



1	 M8x40mm	8PCS
7	 M8	4PCS

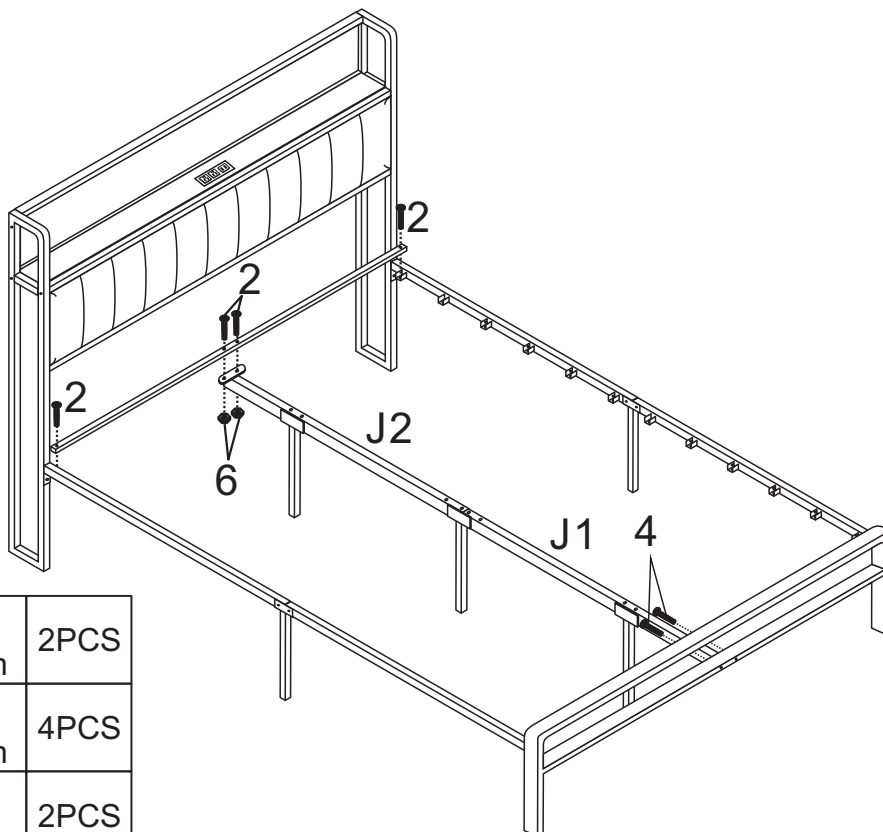
ASSEMBLY INSTRUCTIONS




7



3	 M6x35mm	6PCS
---	--	------

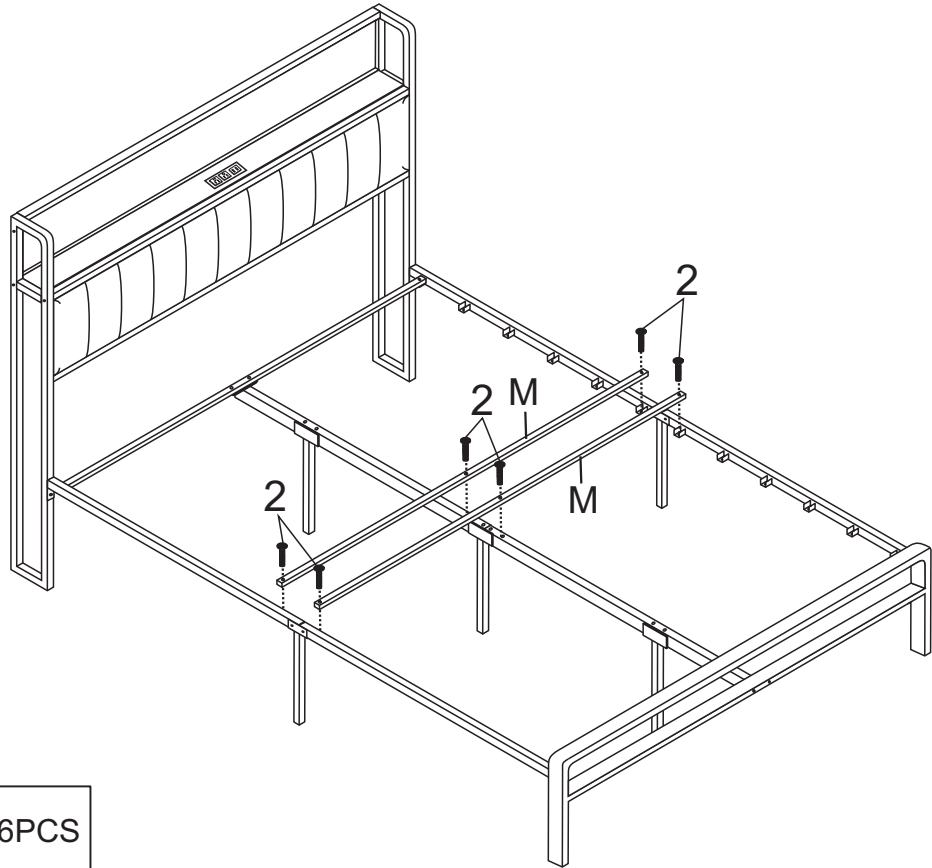
8




4	 M8x10mm	2PCS
2	 M6x25mm	4PCS
6	 M6	2PCS

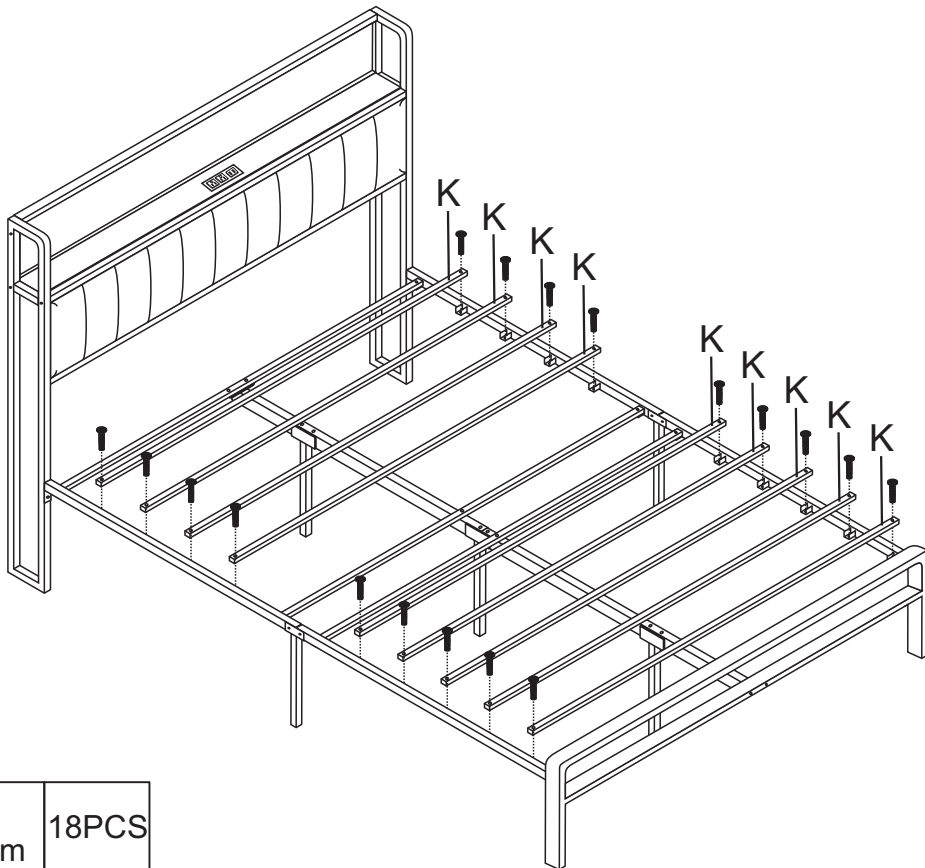
ASSEMBLY INSTRUCTIONS

9



2	 M6x25mm	6PCS
---	--	------

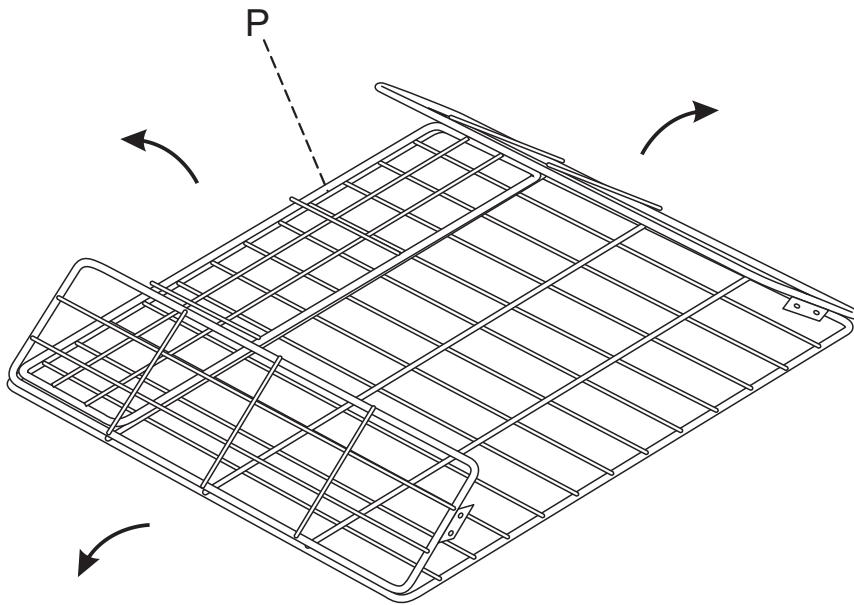
10



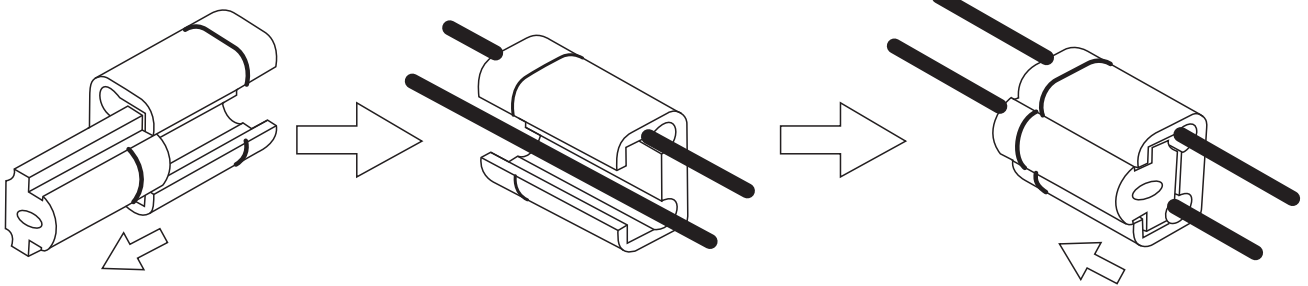
2	 M6x25mm	18PCS
---	--	-------

ASSEMBLY INSTRUCTIONS

11



12

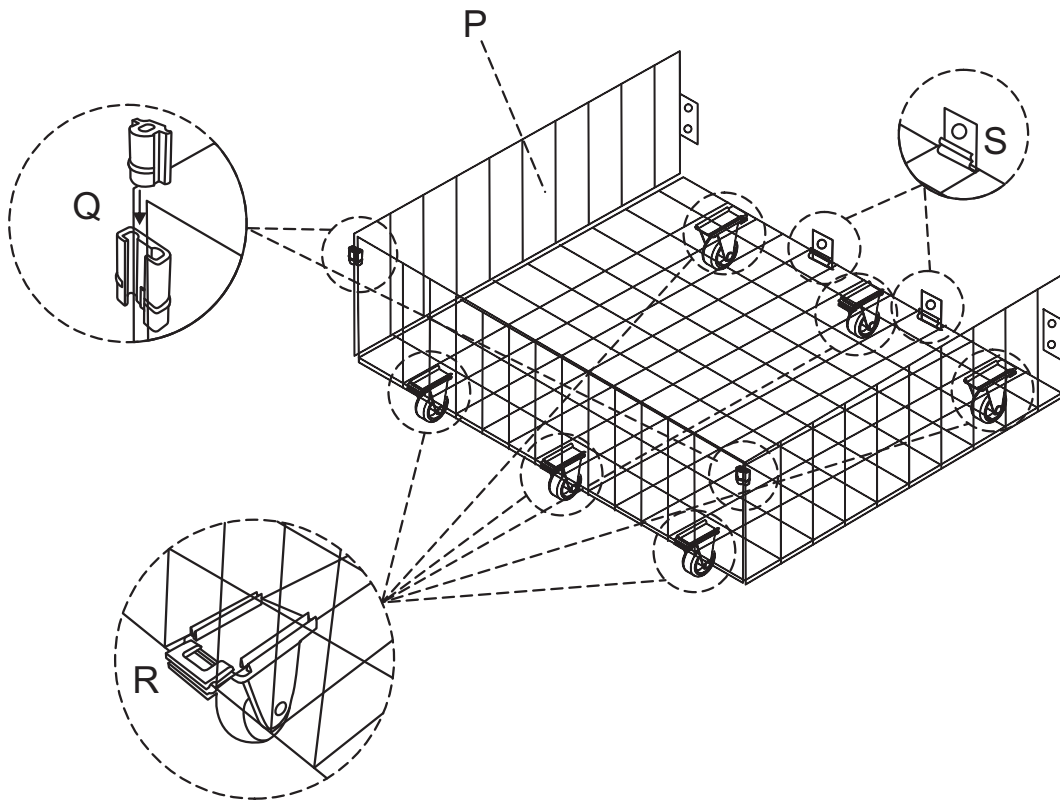


You can pull the buckle out by following the direction indicated by the arrow

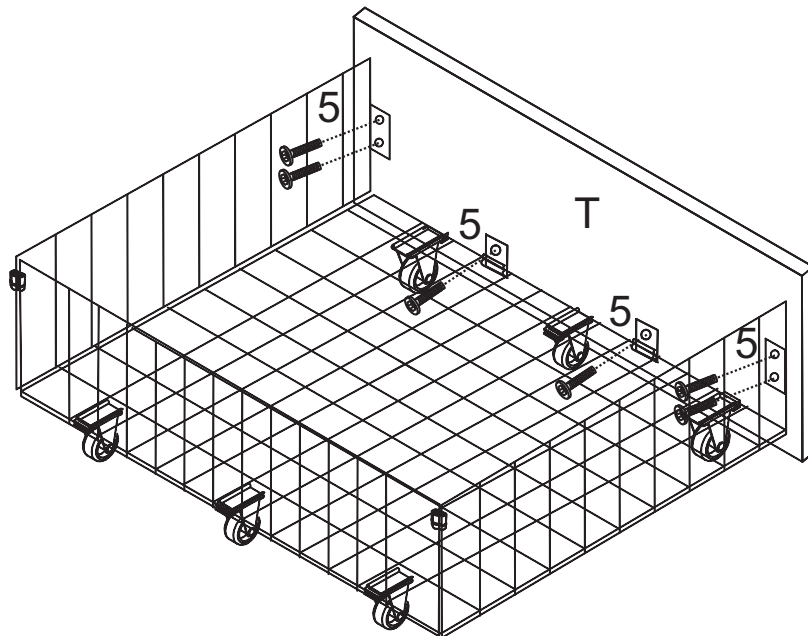
Place iron mesh as shown for better drawer assembly

This is the only direction that can be locked.

13



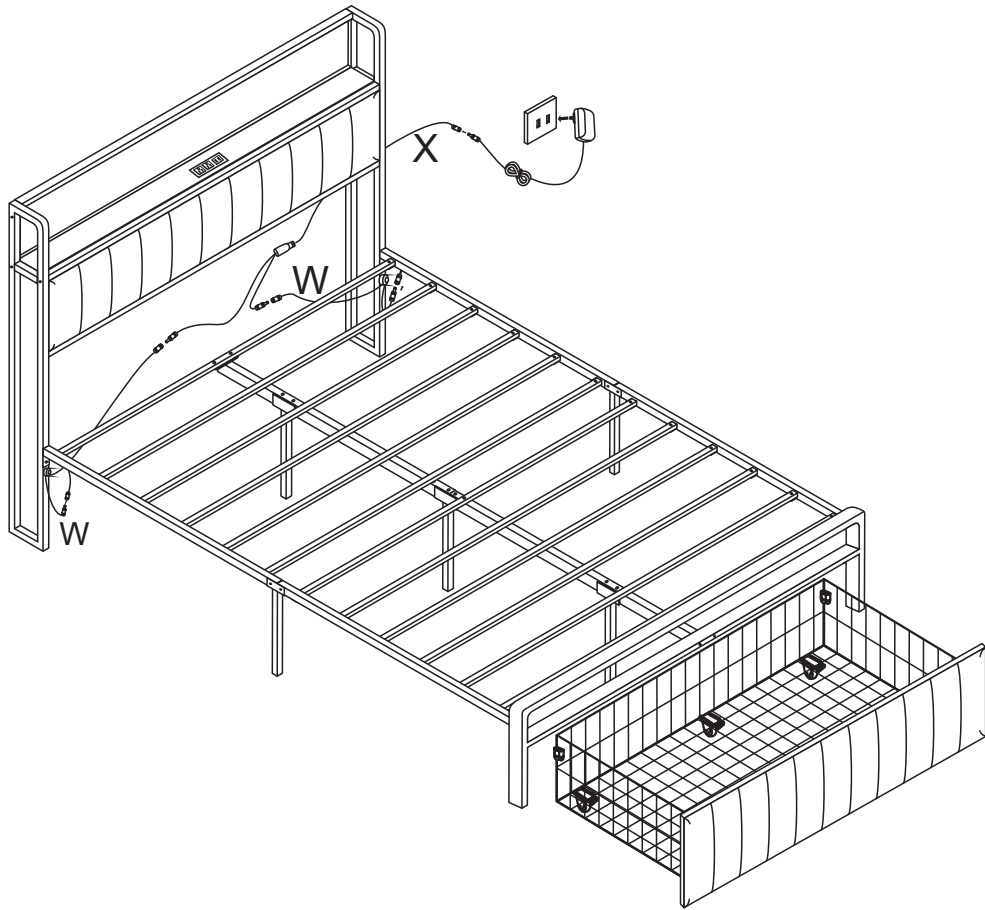
14



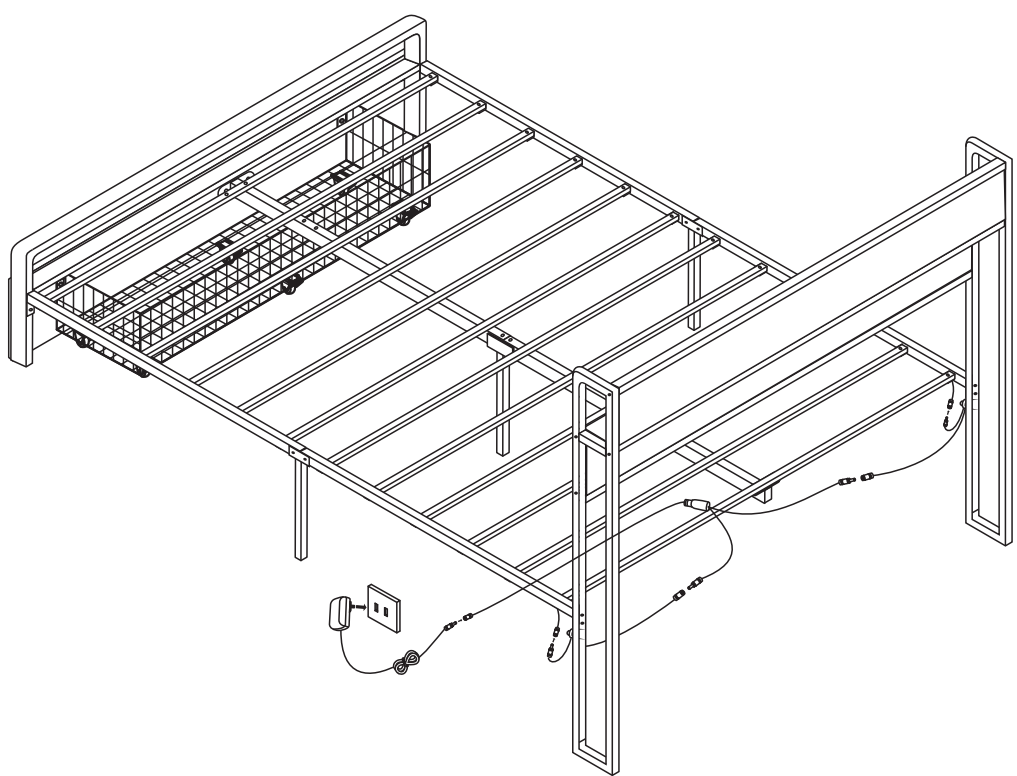
5		6PCS
M6x13mm		

ASSEMBLY INSTRUCTIONS

15



16



Installation Complete