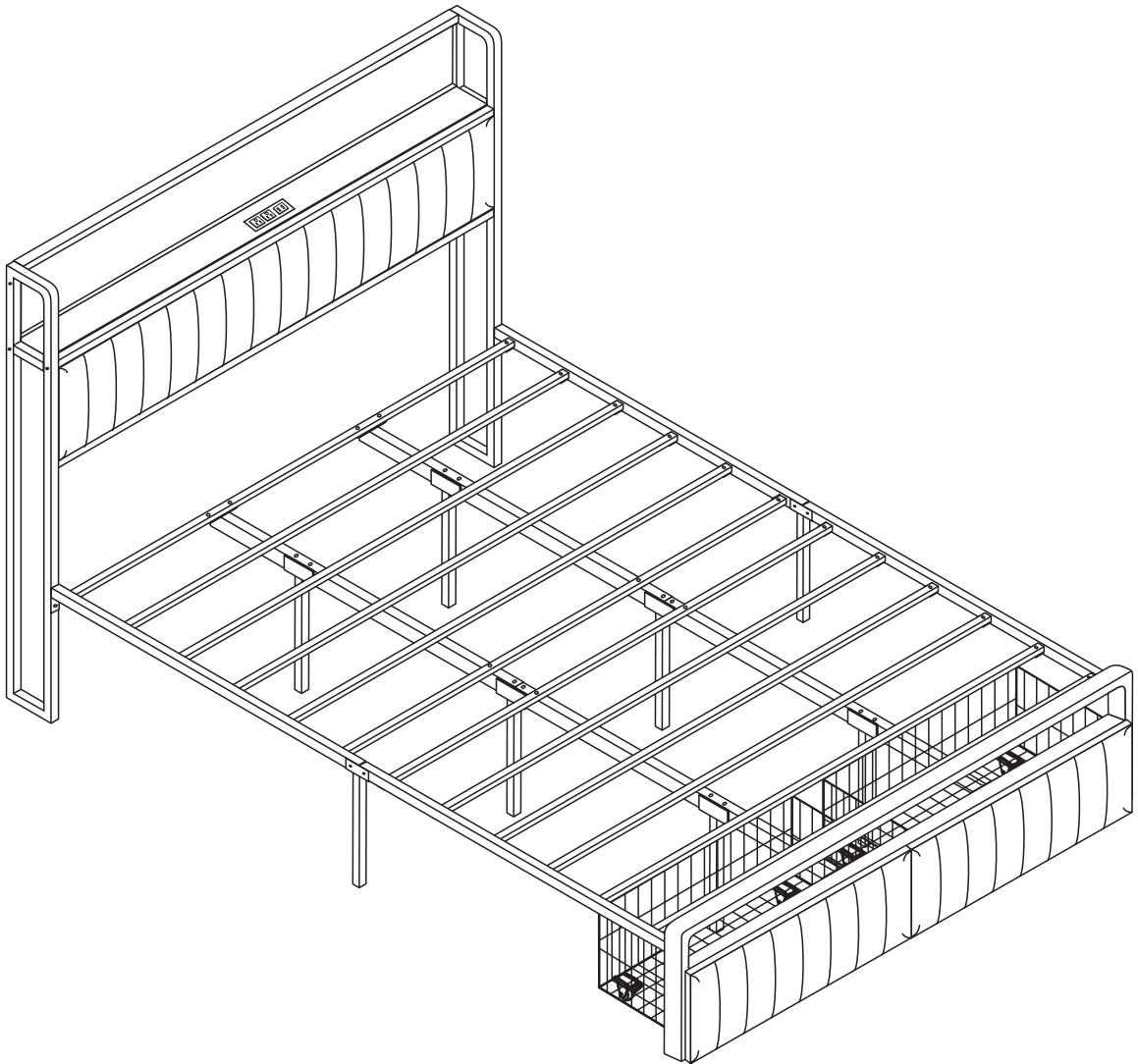


Bed Frame with Storage Headboard & Charging Station Assembly Instructions

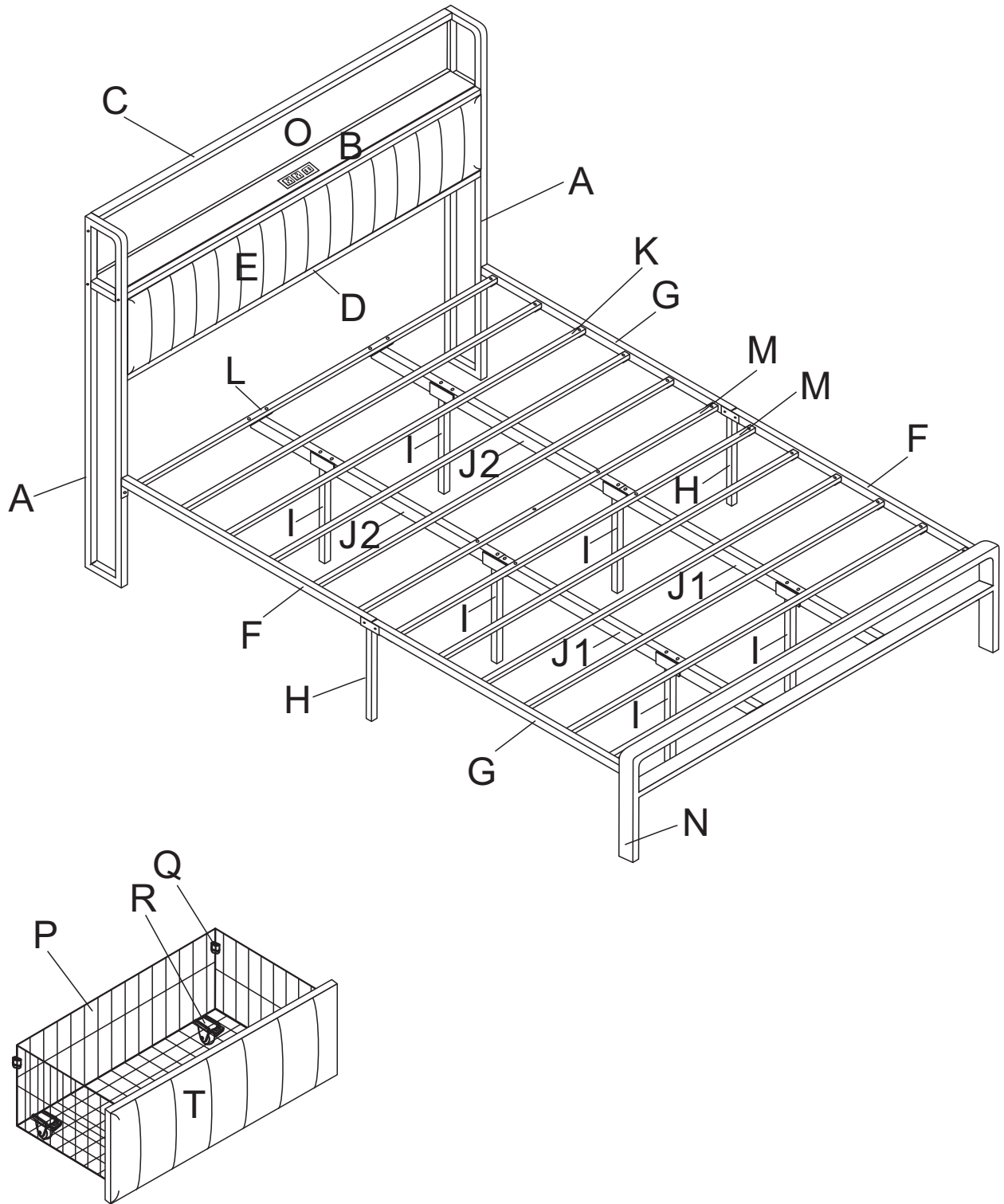


Dear Customers,

Thank you for purchasing our product. Please read this instruction manual carefully after receiving this product. It will help you assemble this product quickly, safely and correctly. You can keep this manual for future reference.

MADEINCHINA

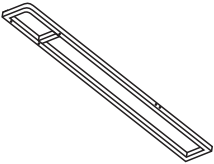


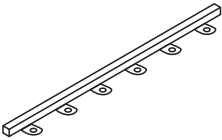
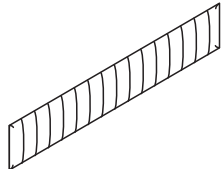
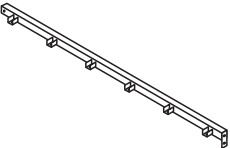
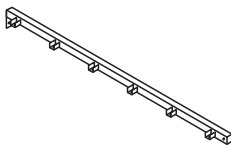

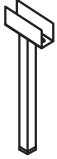
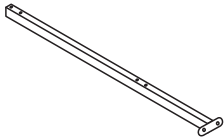
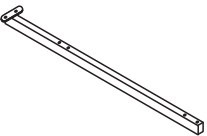
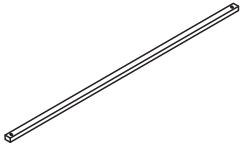
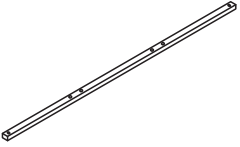
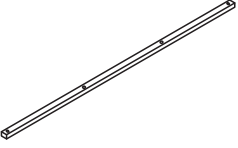
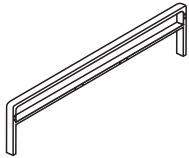
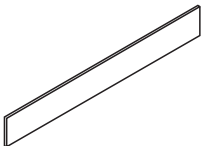
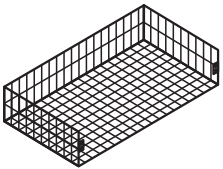
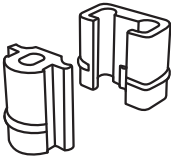
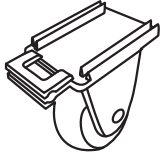

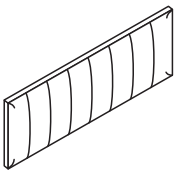
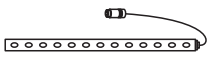
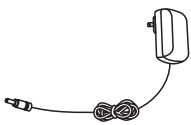

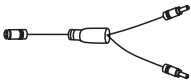








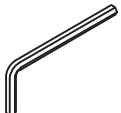

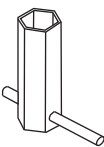
ASSEMBLY INSTRUCTIONS



Notice: Do not tighten the screws too tightly at the beginning of the assembly. After each hole position is matched well, apply gentle force to screw, if there is no problem, then tighten all the screws.

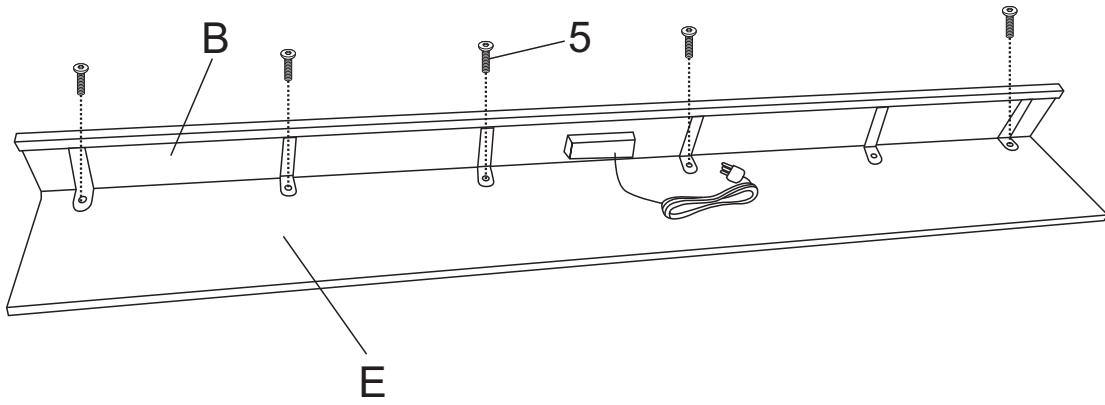
ASSEMBLY INSTRUCTIONS


PARTSLIST

A x2PCS 	B x1PC 	C x1PC 	D x1PC 	E x1PC 	
F x2PCS 	G x2PCS 	H x2PCS 	I x3PCS 	J1 x2PCS 	
J2 x2PCS 	K x9PCS 	L x1PC 	M x2PCS 	N x1PC 	
O x1PC 	P x2PCS 	Q x4PCS 	R x8PCS 	S x2PCS 	
T x2PCS 	U x2PCS 	V x1PC 	W x2PCS 	X x1PC 	Y x1PC 
1 x20PCS  M8x40mm	2 x32PCS  M6x25mm	3x12PCS  M6x35mm	4 x6PCS  M8x10mm	5 x22PCS  M6x13mm	6 x4PCS  M6
7 x8PCS  M8	8 x1PC 	9 x1PC 	10 x1PC 		

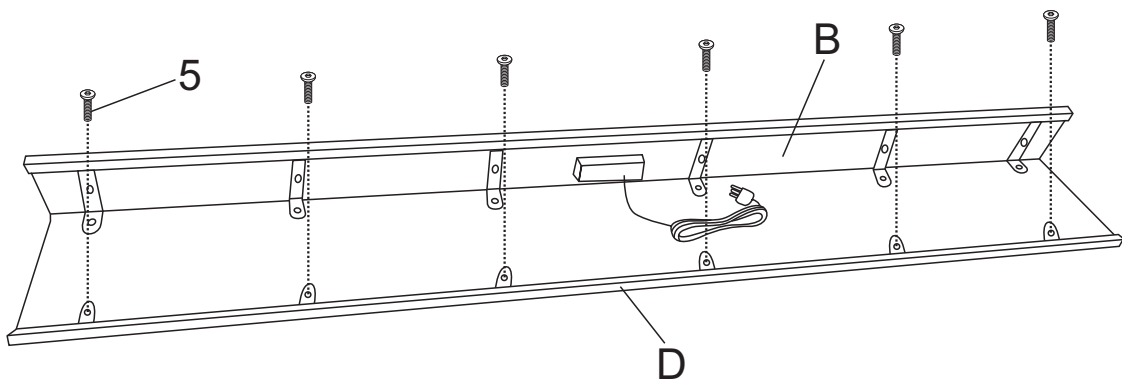
ASSEMBLY INSTRUCTIONS

1



5	 M6x13mm	6PCS
---	--	------

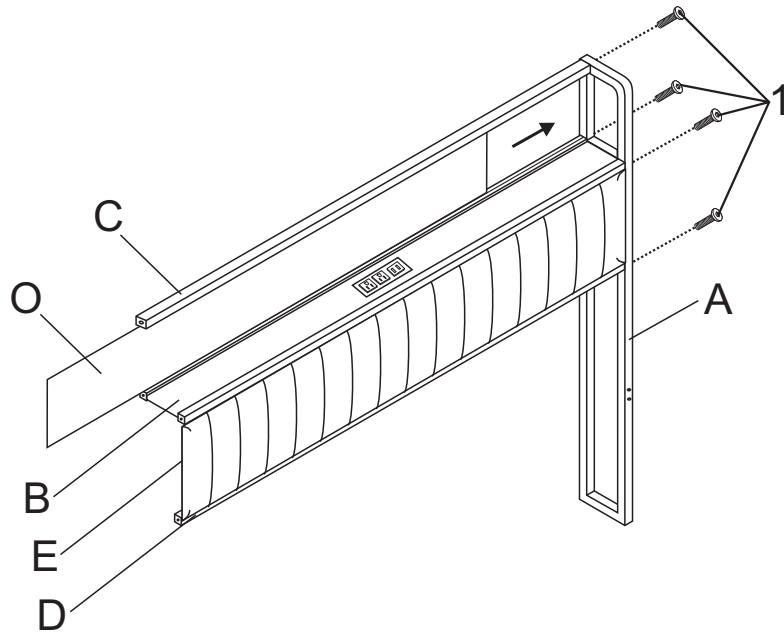
2




5	 M6x13mm	6PCS
---	--	------

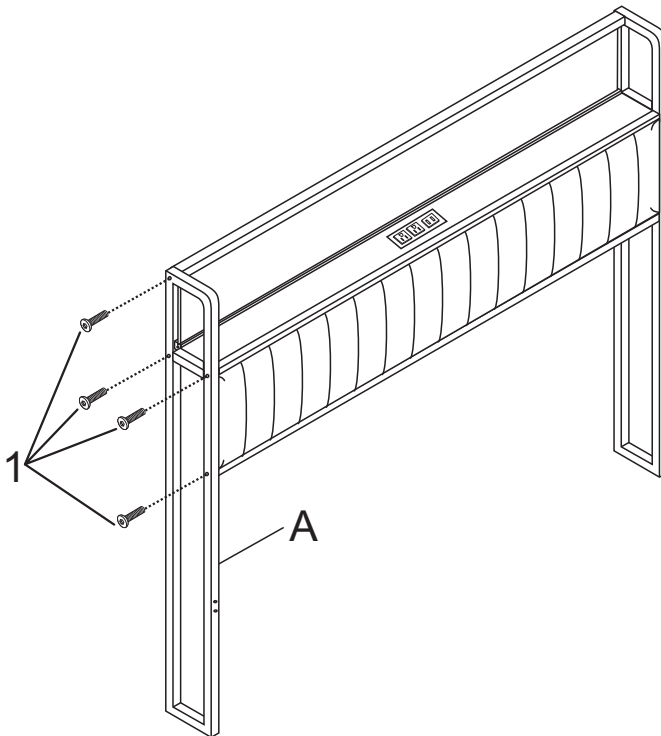
ASSEMBLY INSTRUCTIONS


3

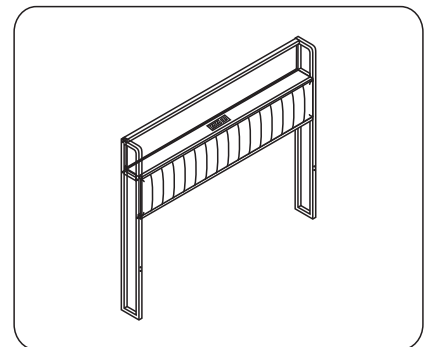


1	 M8x40mm	4PCS
---	--	------

4

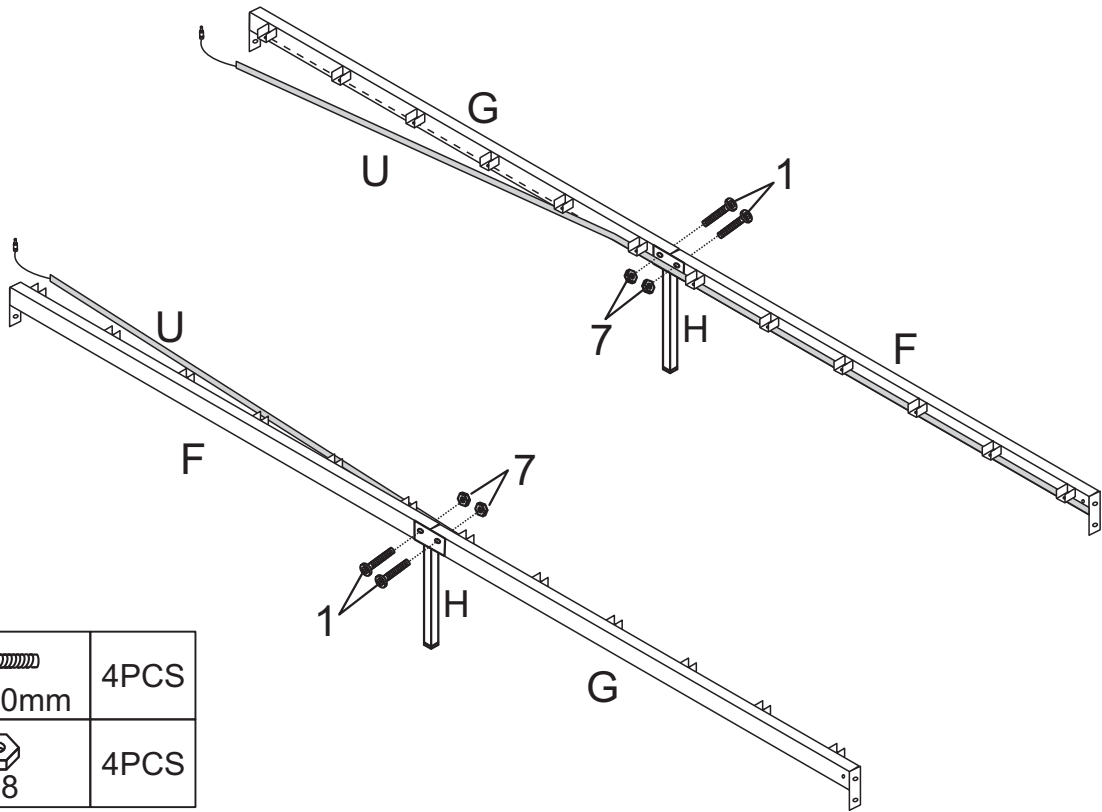




1	 M8x40mm	4PCS
---	--	------



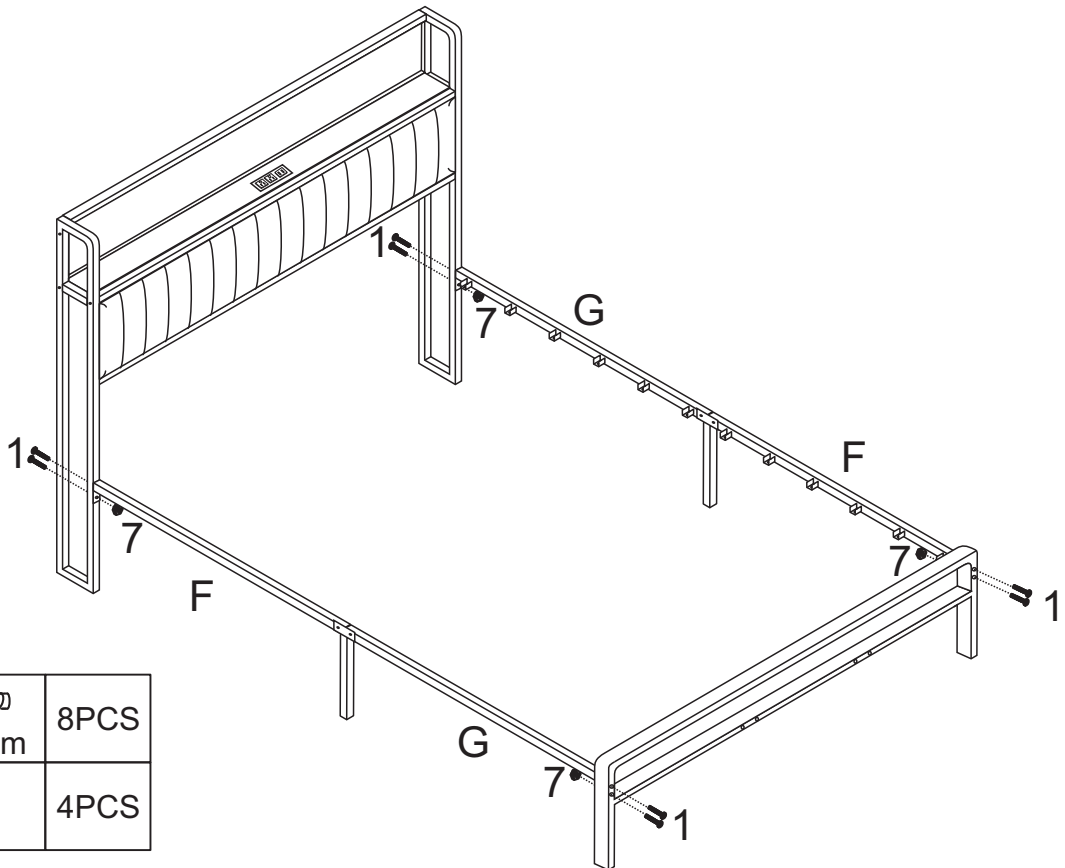
ASSEMBLY INSTRUCTIONS



5



1	 M8x40mm	4PCS
7	 M8	4PCS

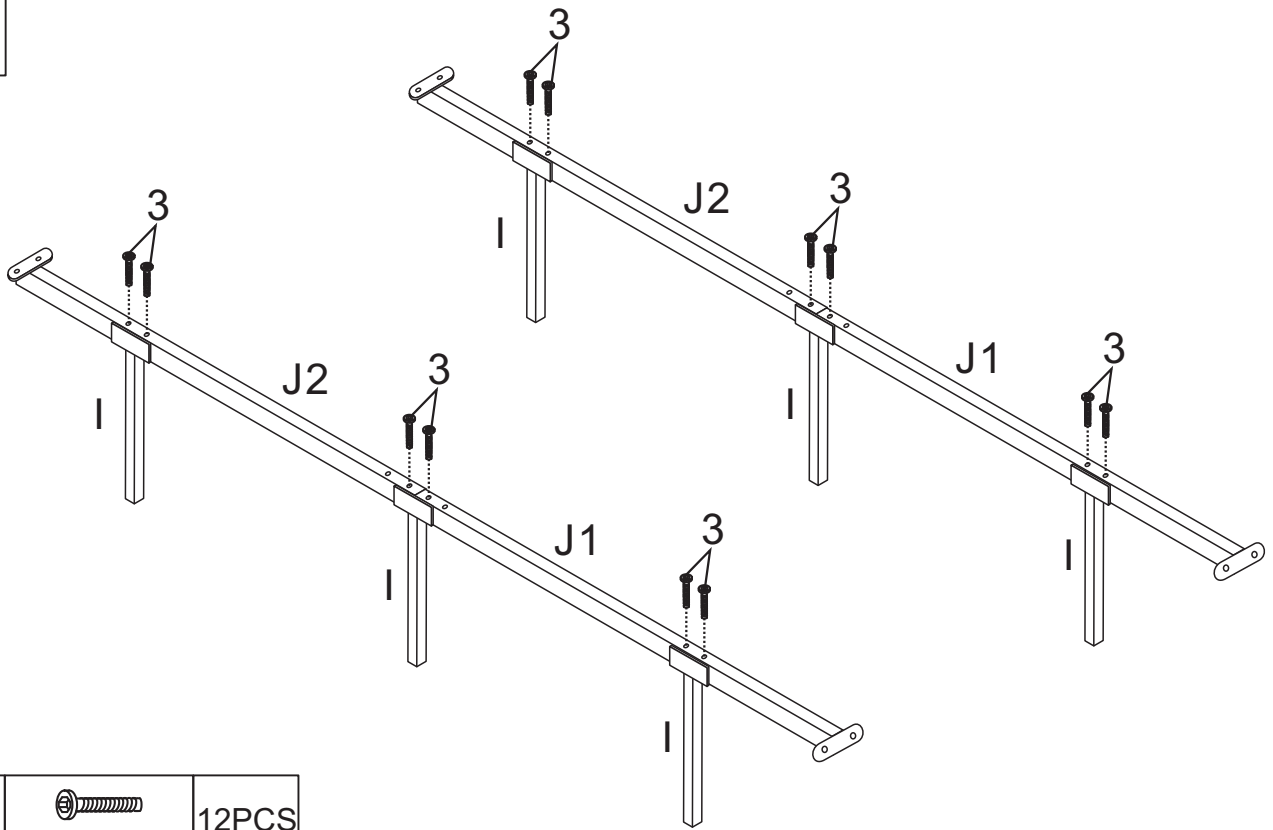
6




1	 M8x40mm	8PCS
7	 M8	4PCS

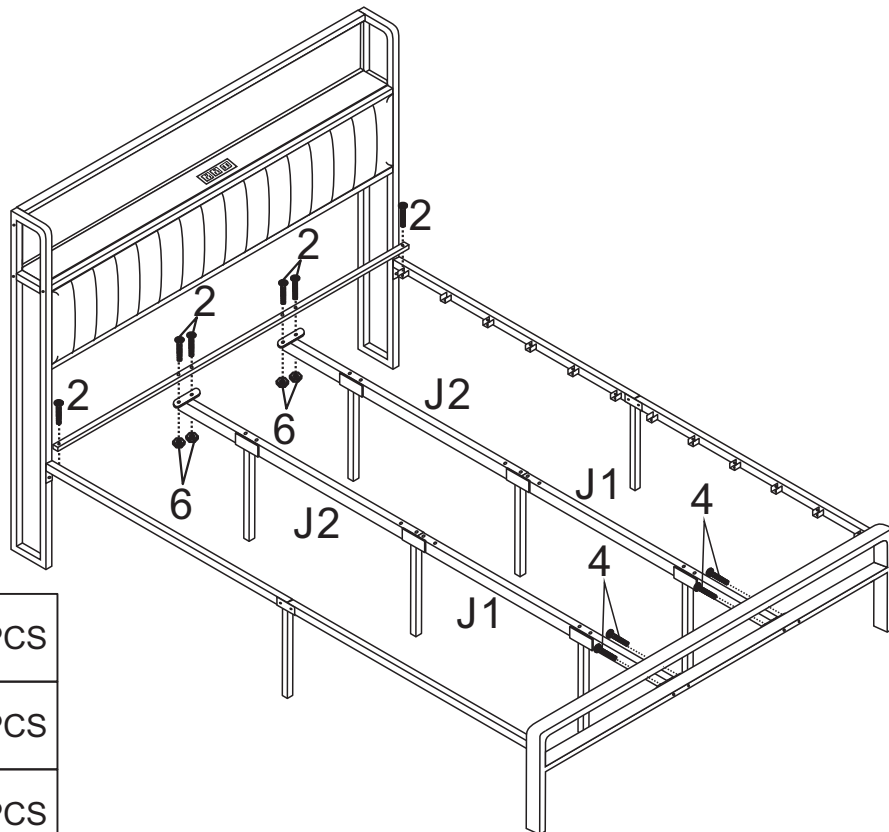
ASSEMBLY INSTRUCTIONS




7



3	 M6x35mm	12PCS
---	---	-------

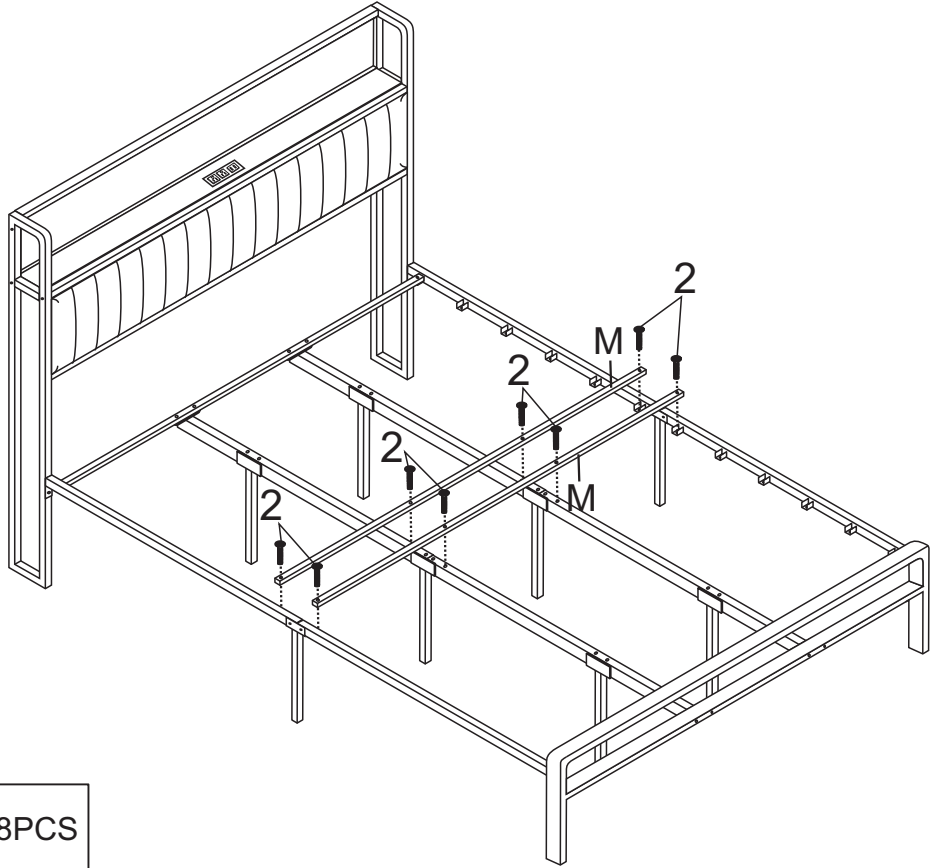
8




4	 M8x10mm	4PCS
2	 M6x25mm	6PCS
6	 M6	4PCS

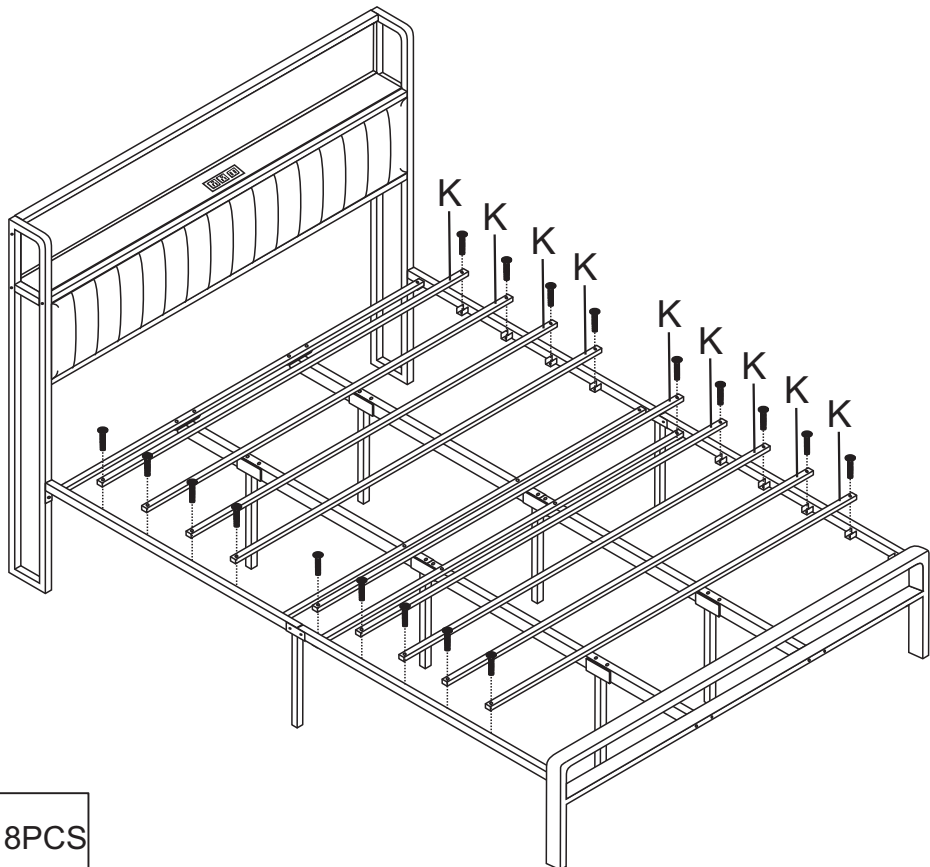
ASSEMBLY INSTRUCTIONS

9



2		8PCS
---	---	------

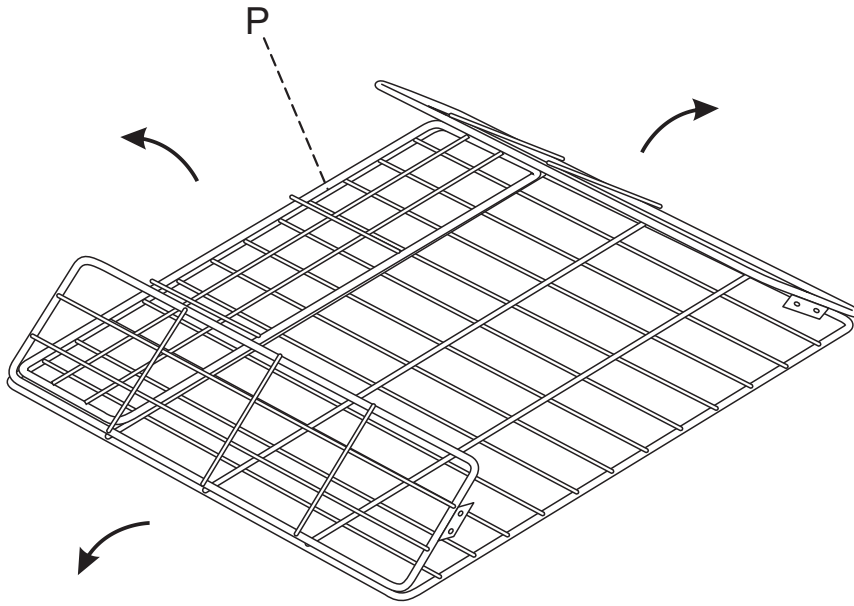
10



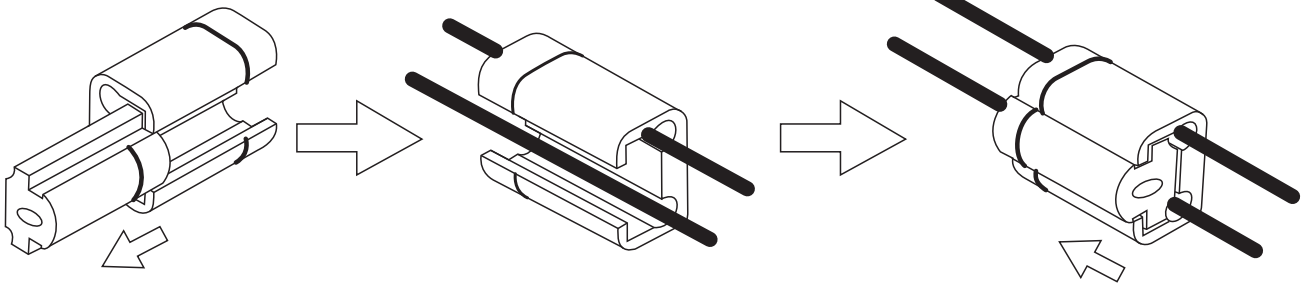
2		18PCS
---	---	-------

ASSEMBLY INSTRUCTIONS

11



12



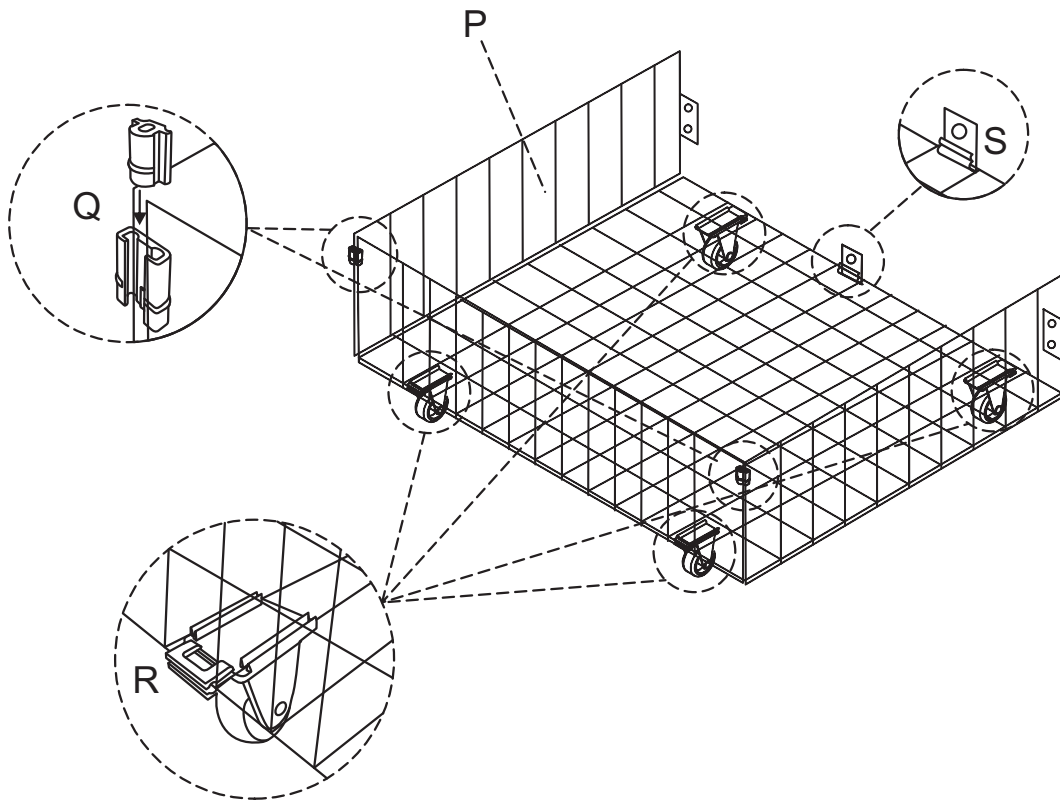
You can pull the buckle out by following the direction indicated by the arrow

Place iron mesh as shown for better drawer assembly

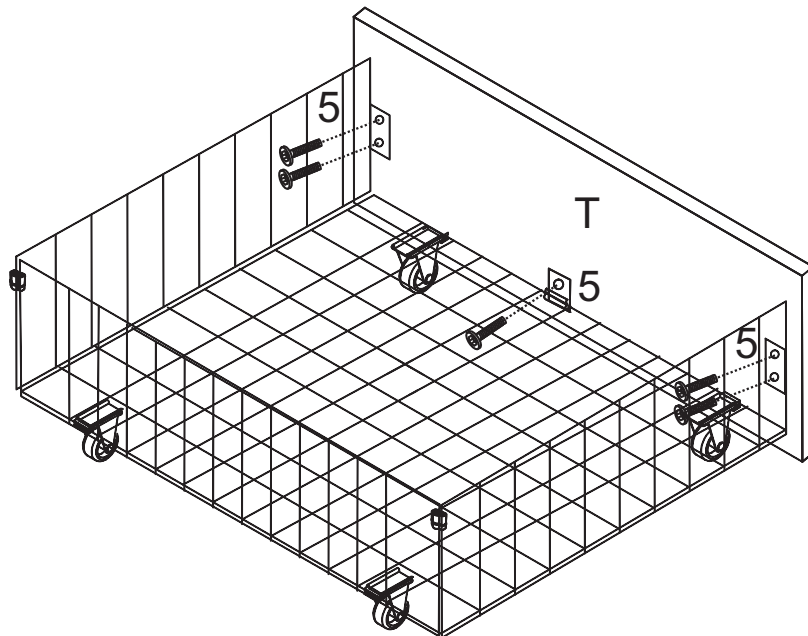
This is the only direction that can be locked.


ASSEMBLY INSTRUCTIONS

13



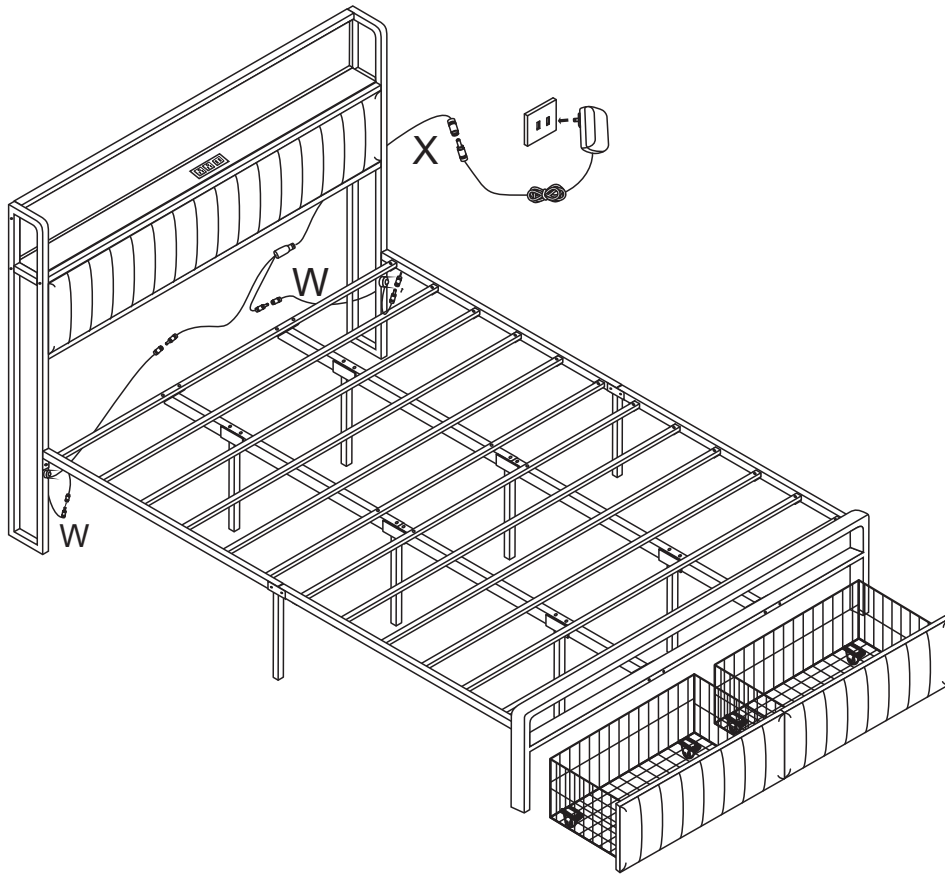
14



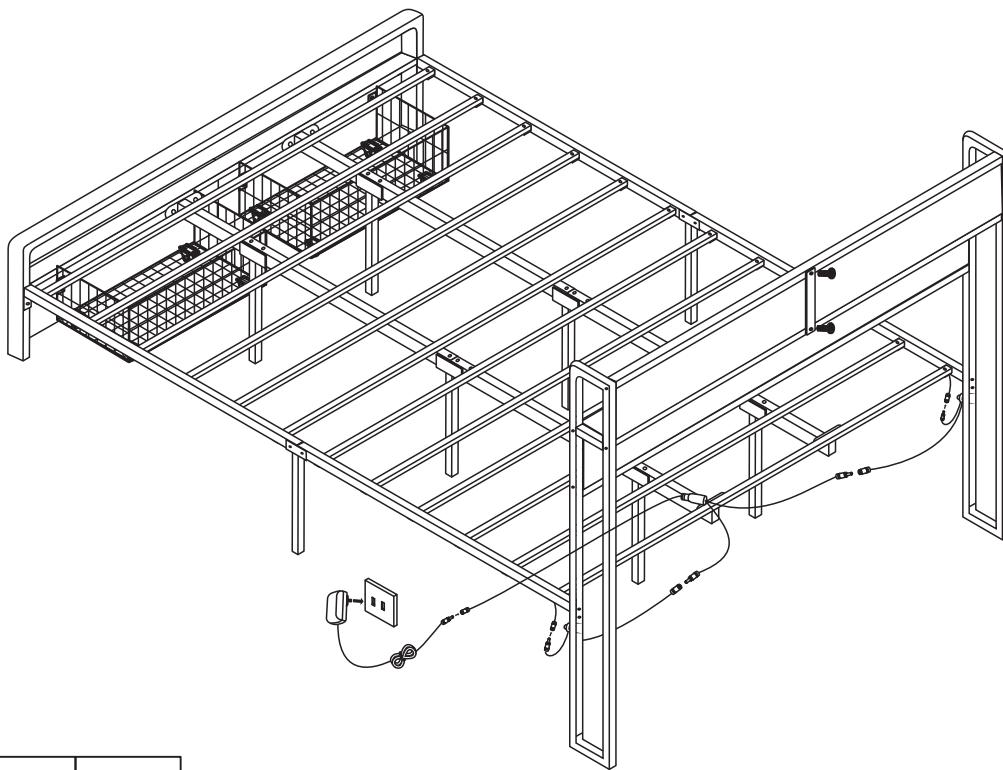
5		10PCS
M6x13mm		


ASSEMBLY INSTRUCTIONS

15



16



4		2PCS
---	---	------

Installation Complete