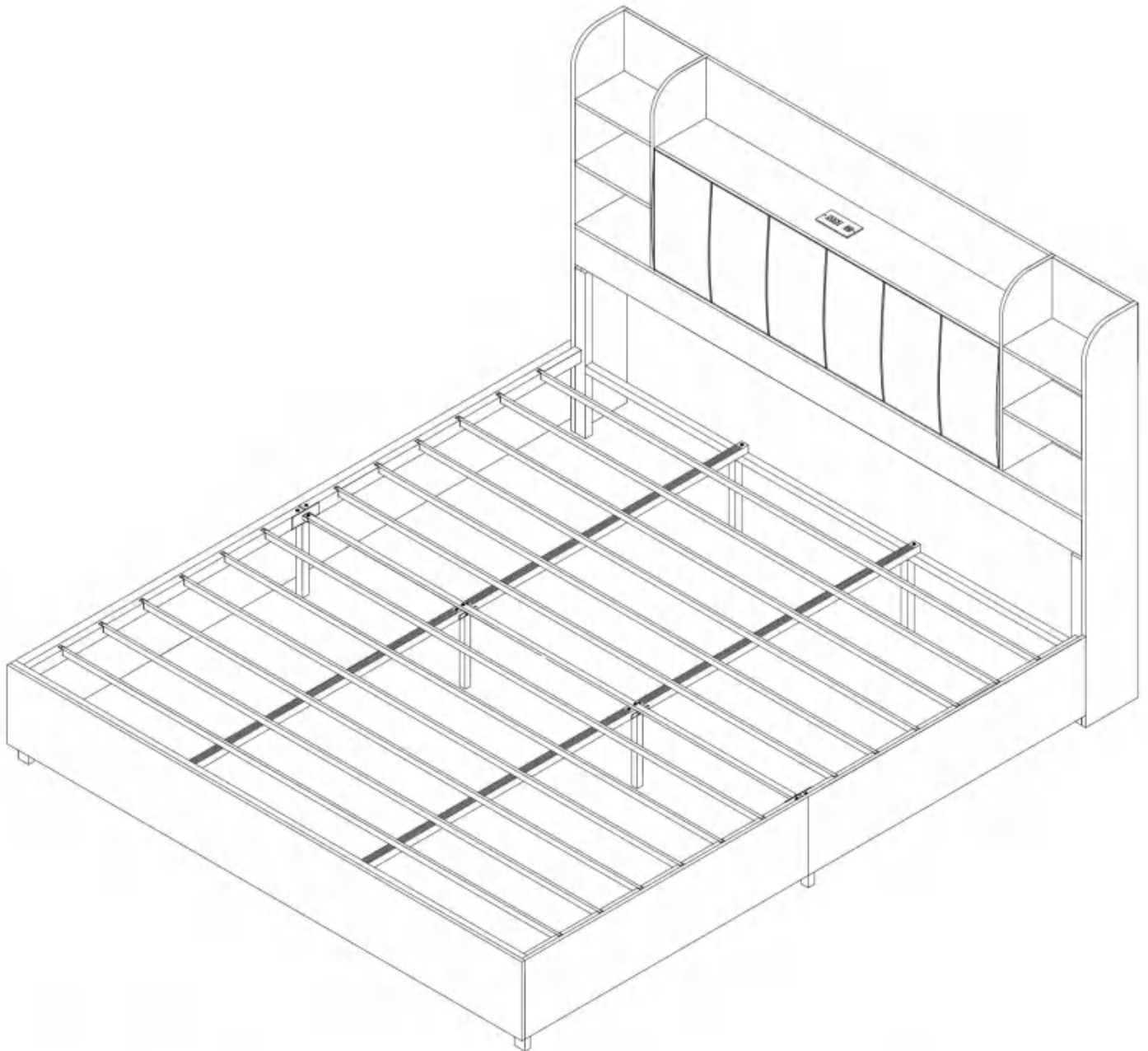


Storage Platform Bed

Asselmbly Instructions



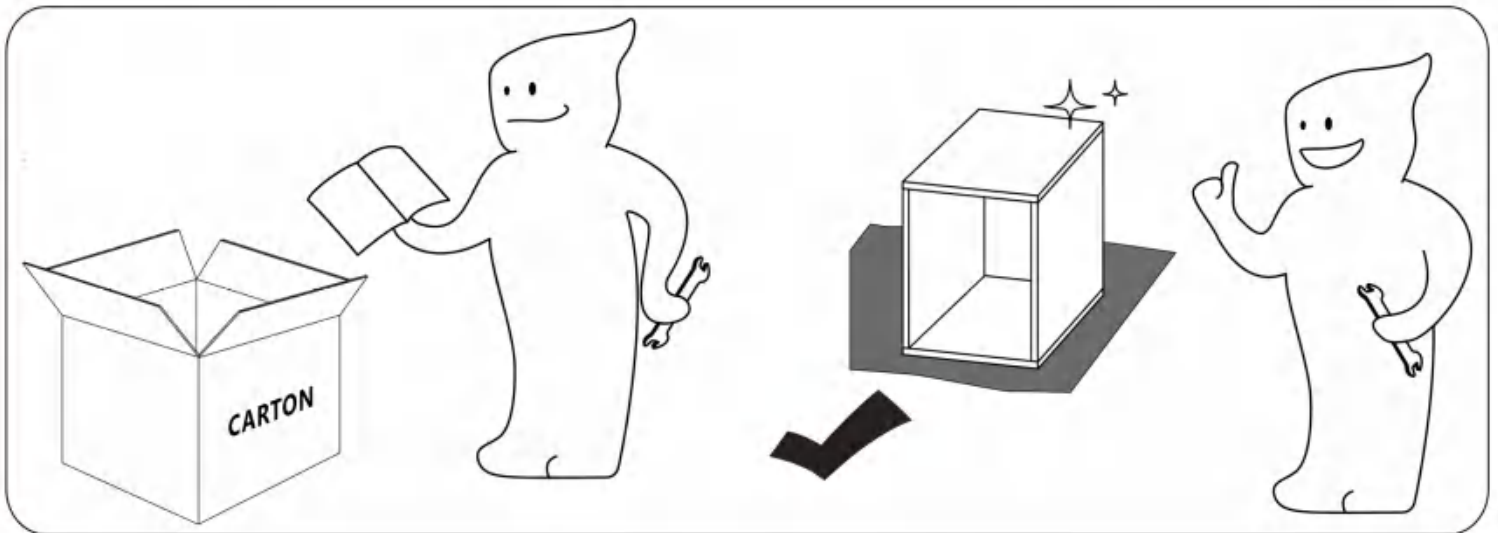
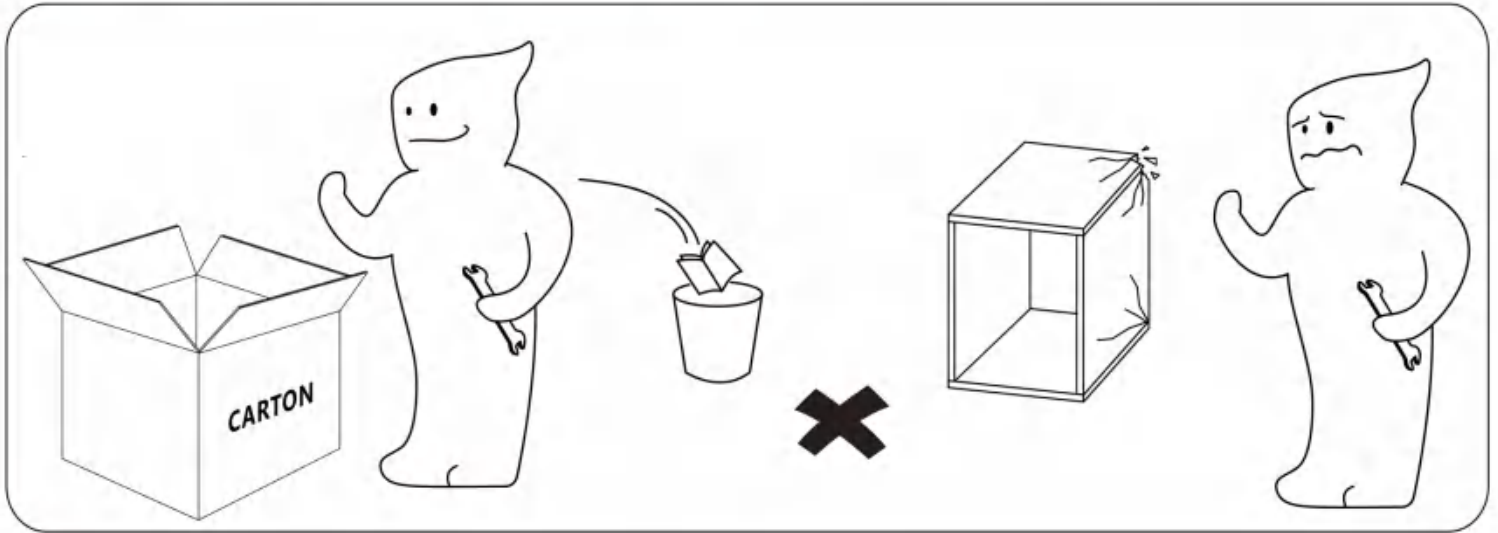
Dear Customers,

Thank you for purchasing our product. Please read this instruction manual carefully after receiving this product. It will help you assemble this product quickly, safely and correctly. You can keep this manual for future reference.

MADE IN CHINA



Please follow the instruction manuals and use a pad to protect the product during your assembly.



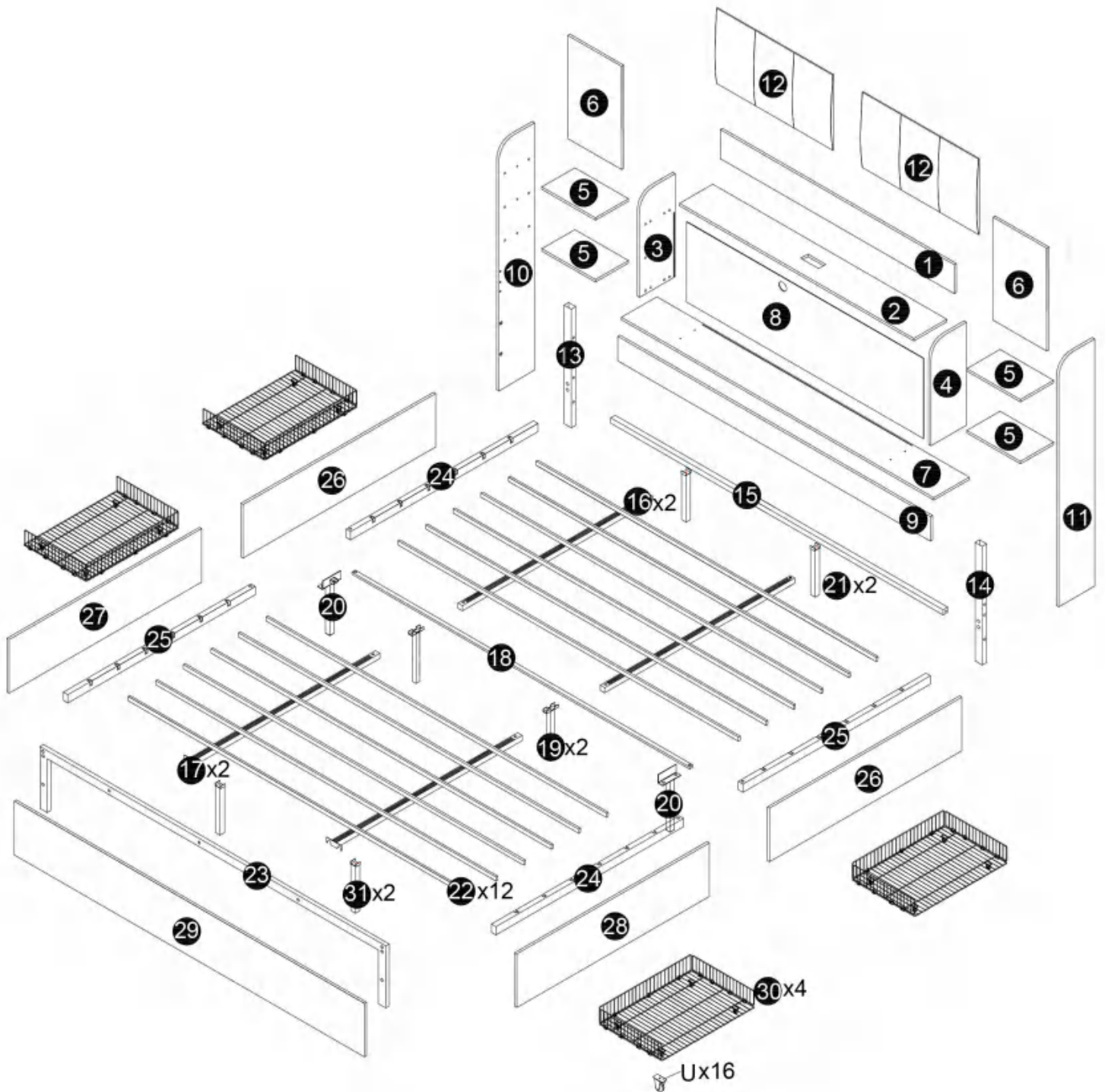
Note:

1. Should be assembled on flat ground to keep balance.
2. Before completing the installation, do not tighten the screws.


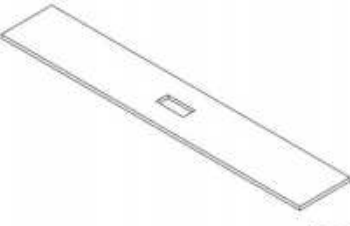





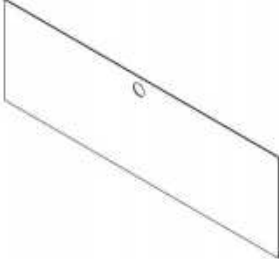



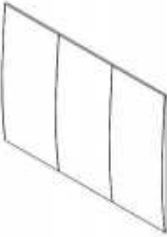








For easier and better assembly, **2** or more adults are required.

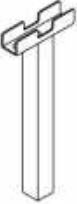
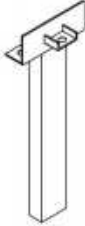




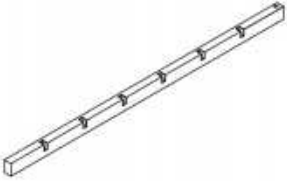






ASSEMBLY INSTRUCTIONS
























ASSEMBLY INSTRUCTIONS

<p>1</p>  <p>1PCS</p>	<p>2</p>  <p>1PCS</p>	<p>3</p>  <p>1PCS</p>
<p>4</p>  <p>1PCS</p>	<p>5</p>  <p>4PCS</p>	<p>6</p>  <p>2PCS</p>
<p>7</p>  <p>1PCS</p>	<p>8</p>  <p>1PCS</p>	<p>9</p>  <p>1PCS</p>
<p>10</p>  <p>1PCS</p>	<p>11</p>  <p>1PCS</p>	<p>12</p>  <p>2PCS</p>
<p>13</p>  <p>1PCS</p>	<p>14</p>  <p>1PCS</p>	<p>15</p>  <p>1PCS</p>
<p>16</p>  <p>2PCS</p>	<p>17</p>  <p>2PCS</p>	<p>18</p>  <p>1PCS</p>

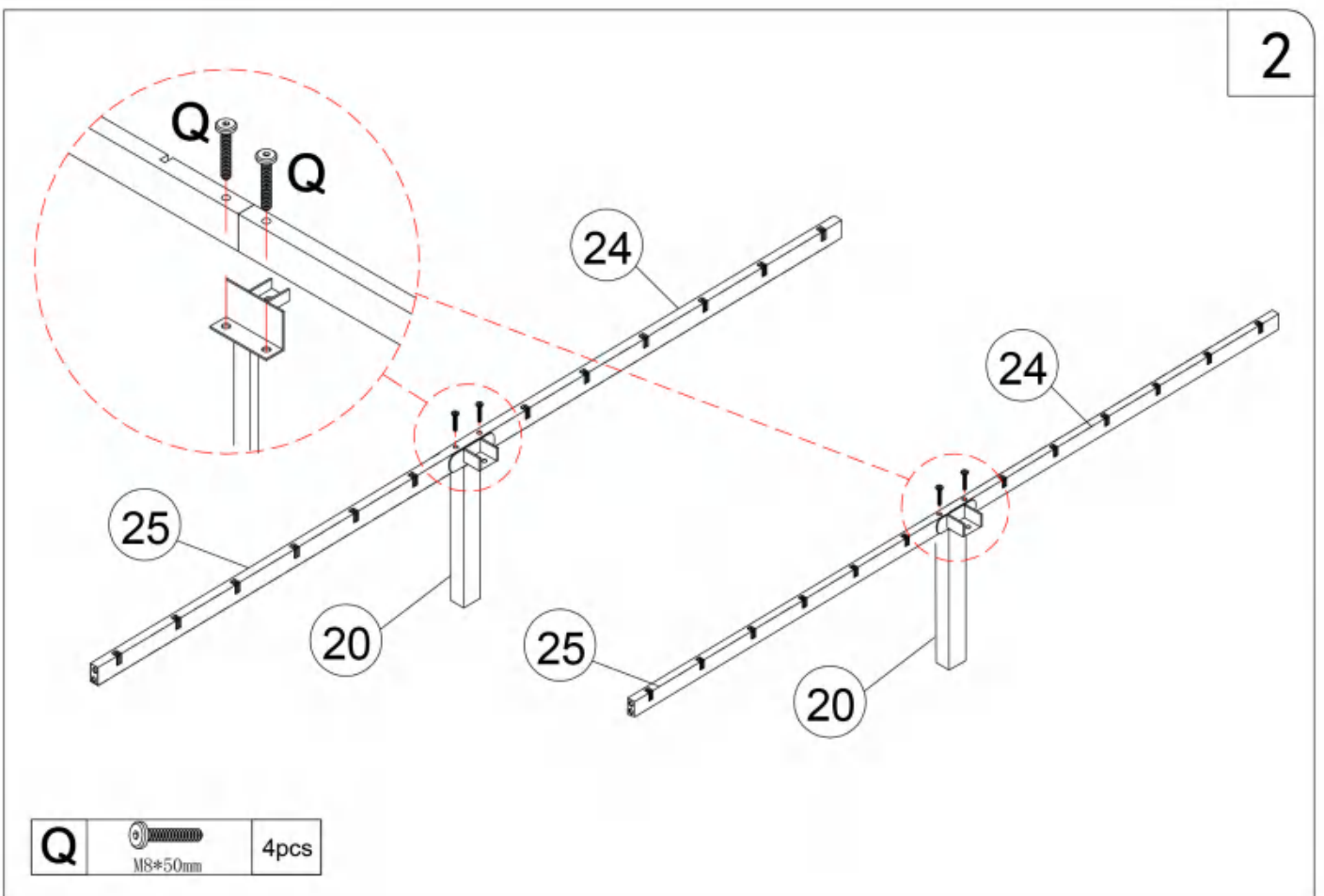
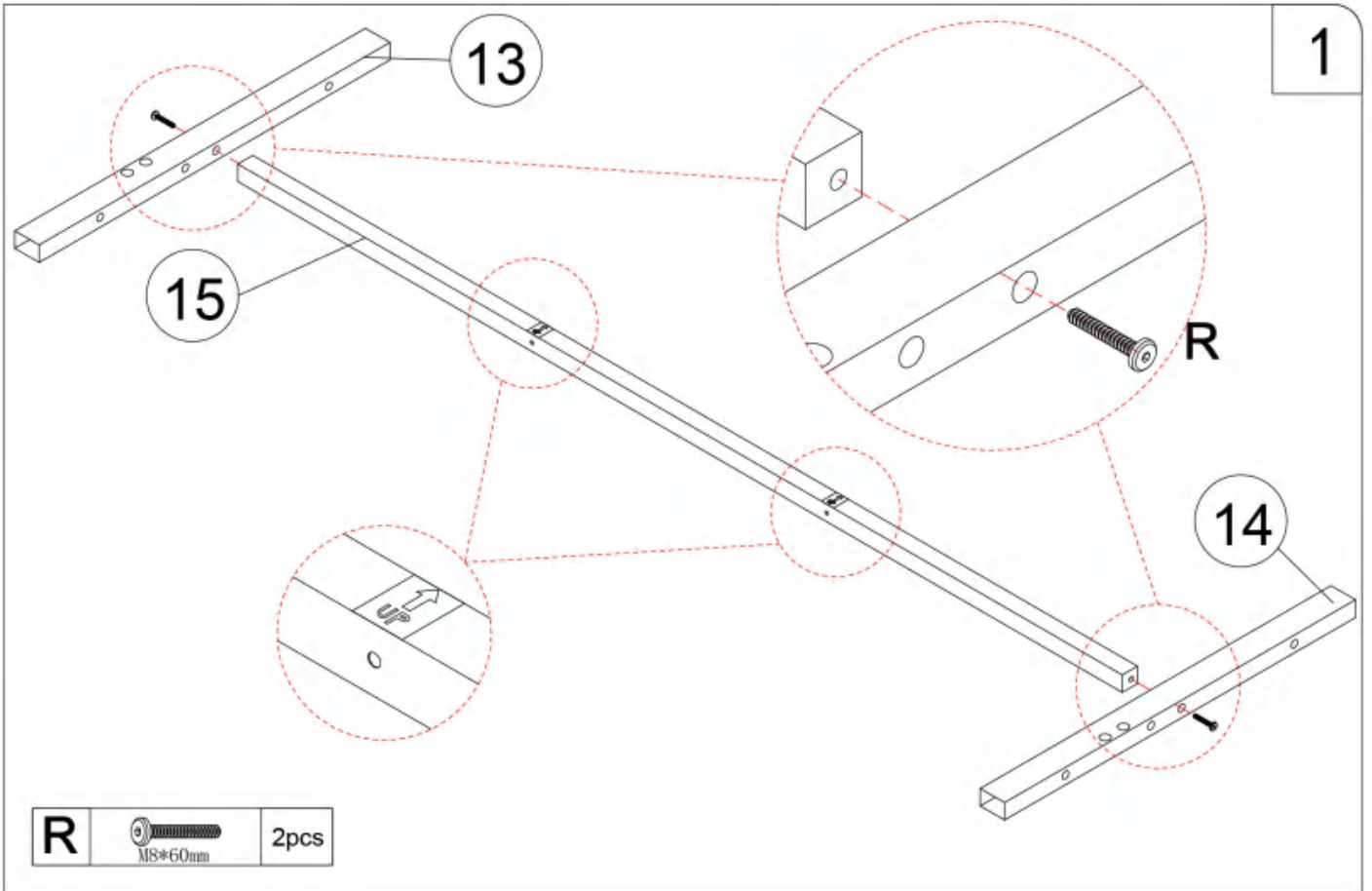
ASSEMBLY INSTRUCTIONS

<p>19</p>  <p>2PCS</p>	<p>20</p>  <p>2PCS</p>	<p>21</p>  <p>4PCS</p>
<p>22</p>  <p>12PCS</p>	<p>23</p>  <p>1PCS</p>	<p>24</p>  <p>2PCS</p>
<p>25</p>  <p>2PCS</p>	<p>26</p>  <p>2PCS</p>	<p>27</p>  <p>1PCS</p>
<p>28</p>  <p>1PCS</p>	<p>29</p>  <p>1PCS</p>	<p>30</p>  <p>4PCS</p>
<p>31</p>  <p>1PCS</p>		

ASSEMBLY INSTRUCTIONS

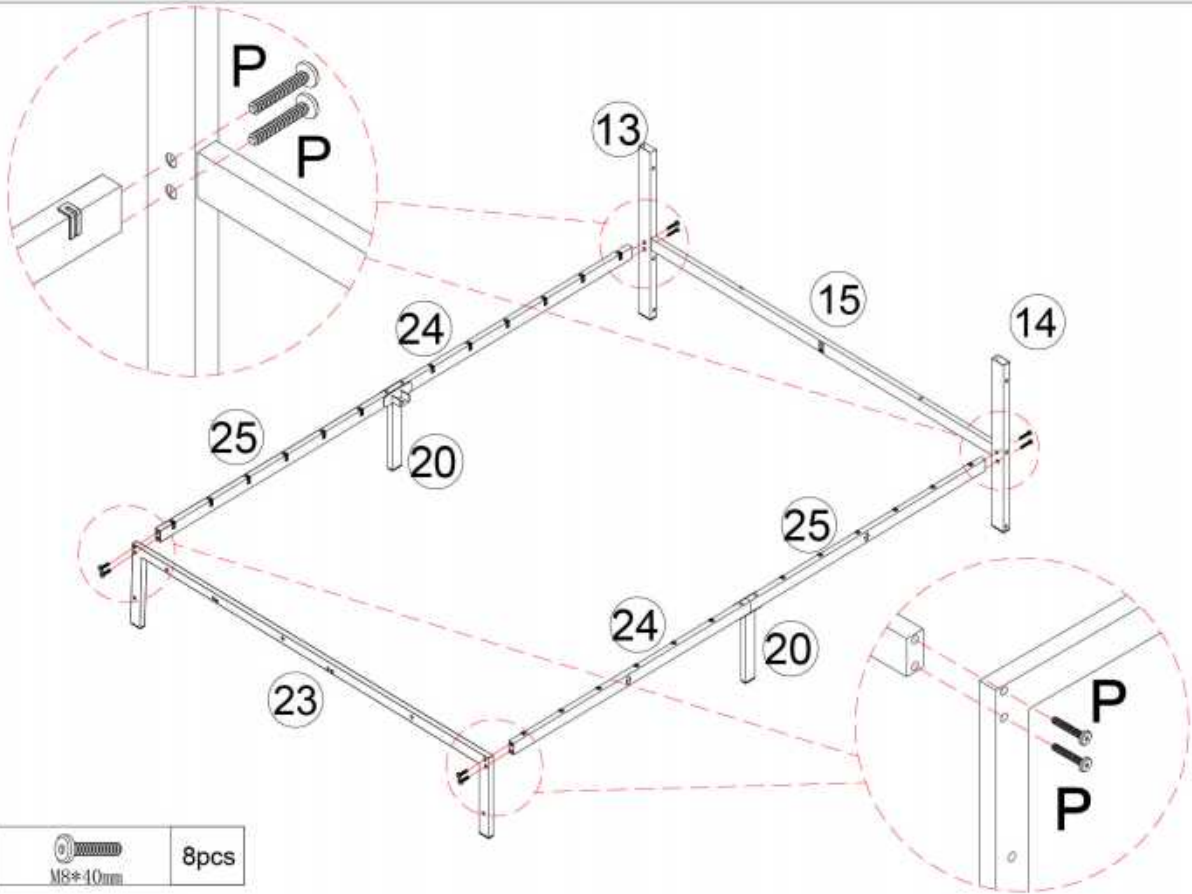
<p>(A)</p>  <p>∅7*40</p> <p>42PCS</p>	<p>(B)</p>  <p>1PCS</p>	<p>(C)</p>  <p>4PCS</p>
<p>(D)</p>  <p>∅15*10</p> <p>42PCS</p>	<p>(E)</p>  <p>M8</p> <p>5PCS</p>	<p>(F)</p>  <p>2PCS</p>
<p>(G)</p>  <p>M3</p> <p>1PCS</p>	<p>(H)</p>  <p>M4</p> <p>1PCS</p>	<p>(I)</p>  <p>M5</p> <p>1PCS</p>
<p>(J)</p>  <p>M3.5*12</p> <p>34PCS</p>	<p>(K)</p>  <p>M5*40</p> <p>8PCS</p>	<p>(L)</p>  <p>M6*15</p> <p>4PCS</p>
<p>(N)</p>  <p>M8*12</p> <p>4PCS</p>	<p>(M)</p>  <p>M8*15</p> <p>20PCS</p>	<p>(O)</p>  <p>M8*30</p> <p>7PCS</p>
<p>(P)</p>  <p>M8*40</p> <p>14PCS</p>	<p>(Q)</p>  <p>M8*50</p> <p>10PCS</p>	<p>(R)</p>  <p>M8*60</p> <p>6PCS</p>
<p>(S)</p>  <p>8PCS</p>	<p>(T)</p>  <p>4PCS</p>	<p>(U)</p>  <p>16PCS</p>


ASSEMBLY INSTRUCTIONS



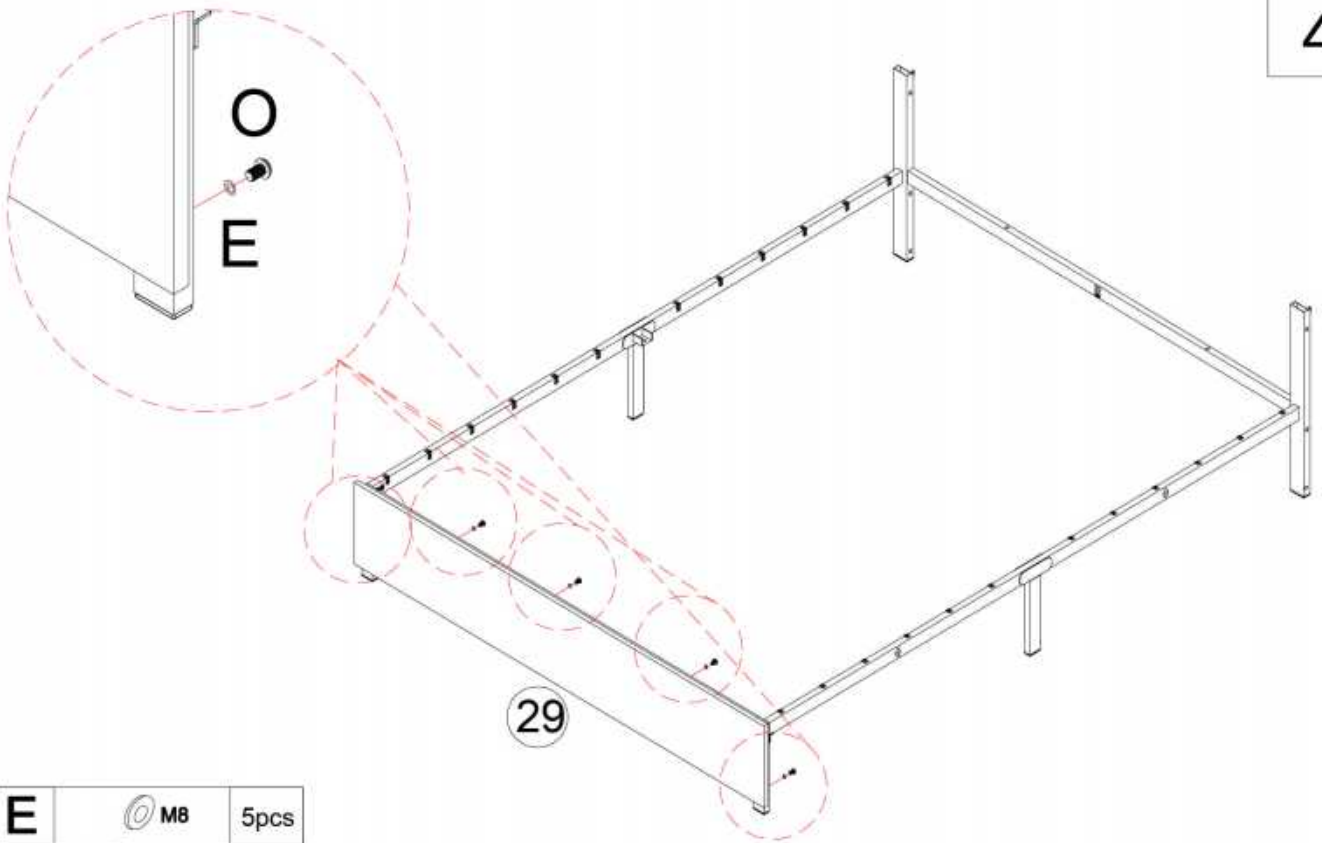
ASSEMBLY INSTRUCTIONS



3



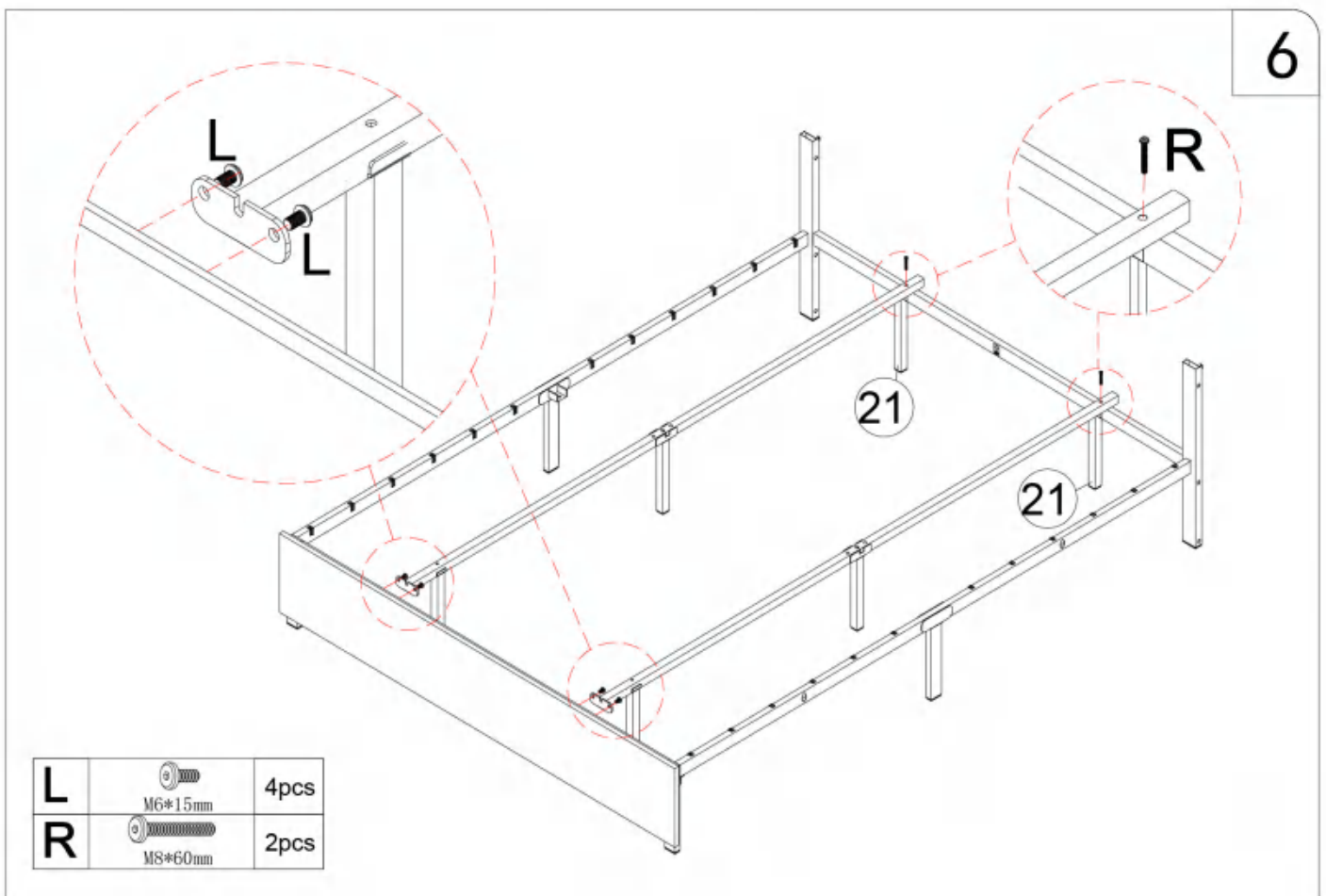
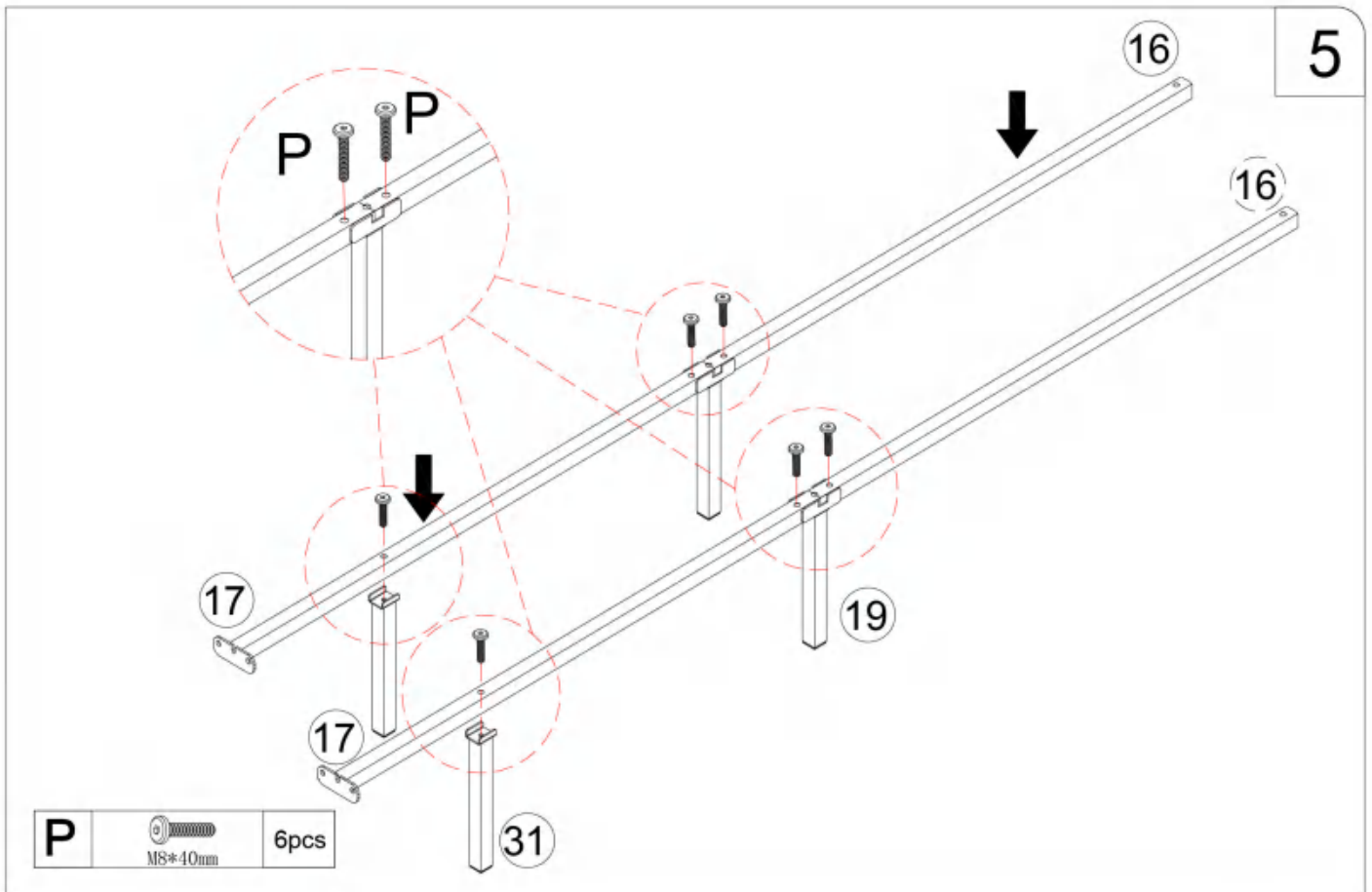
P		8pcs
	M8*40mm	

4



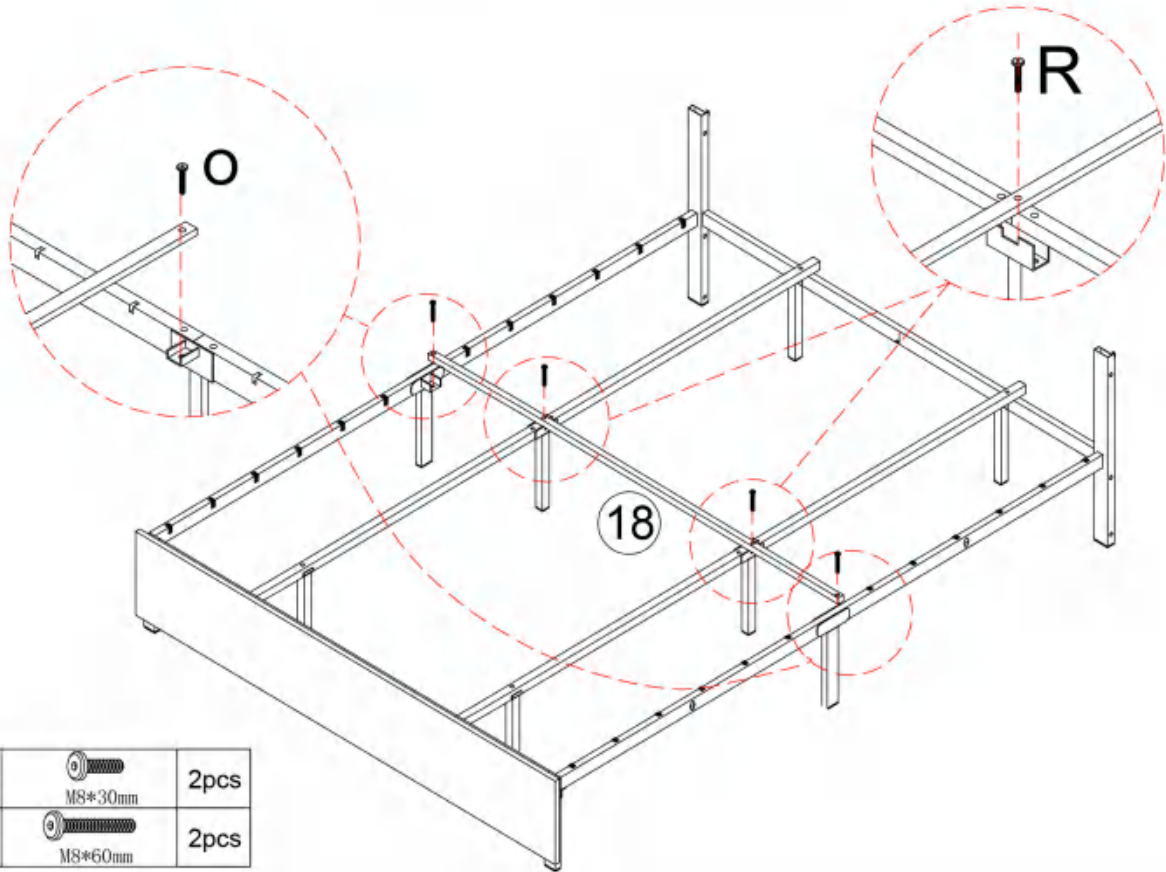
E		5pcs
	M8	
O		5pcs
	M8*30mm	

ASSEMBLY INSTRUCTIONS

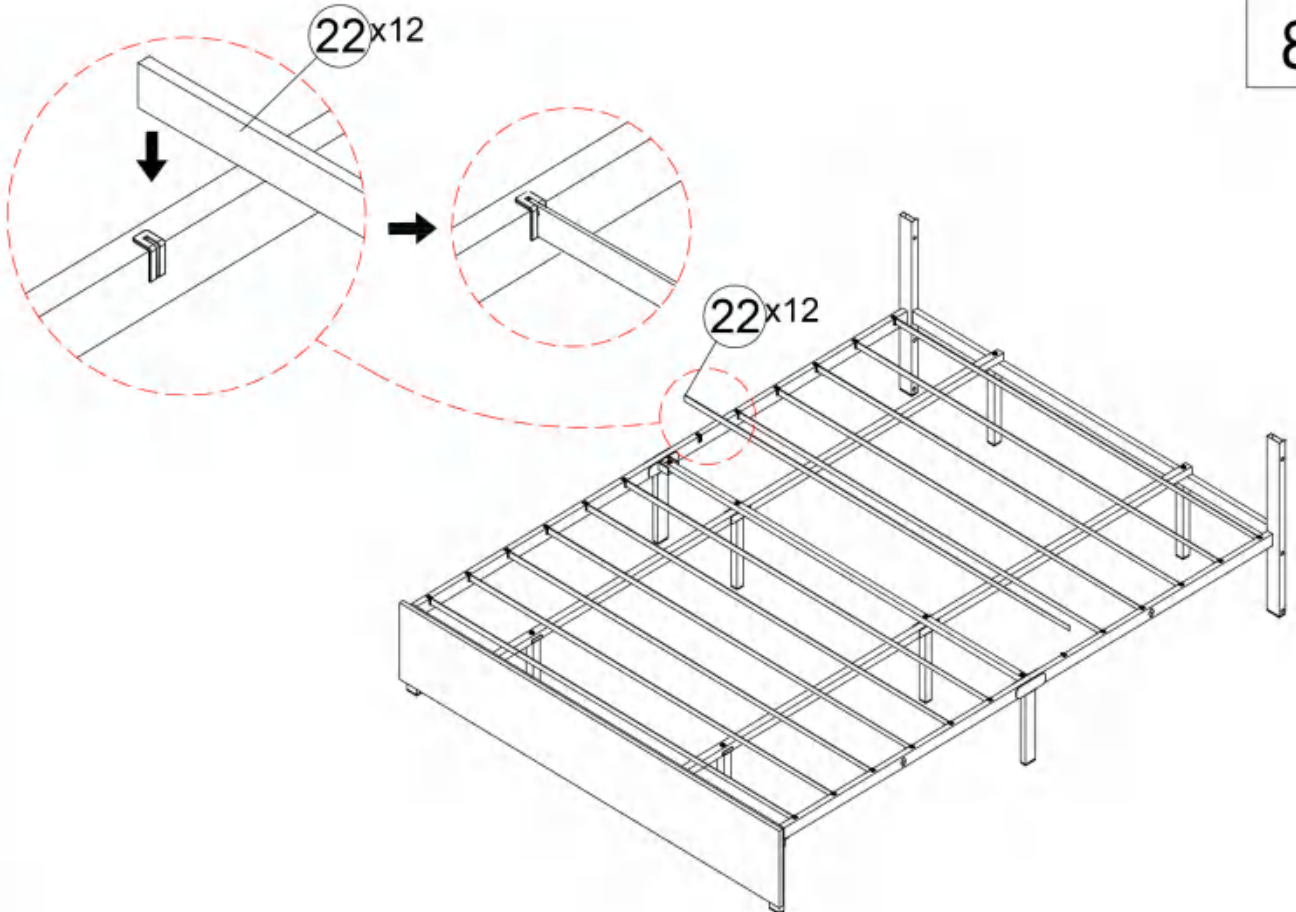


ASSEMBLY INSTRUCTIONS

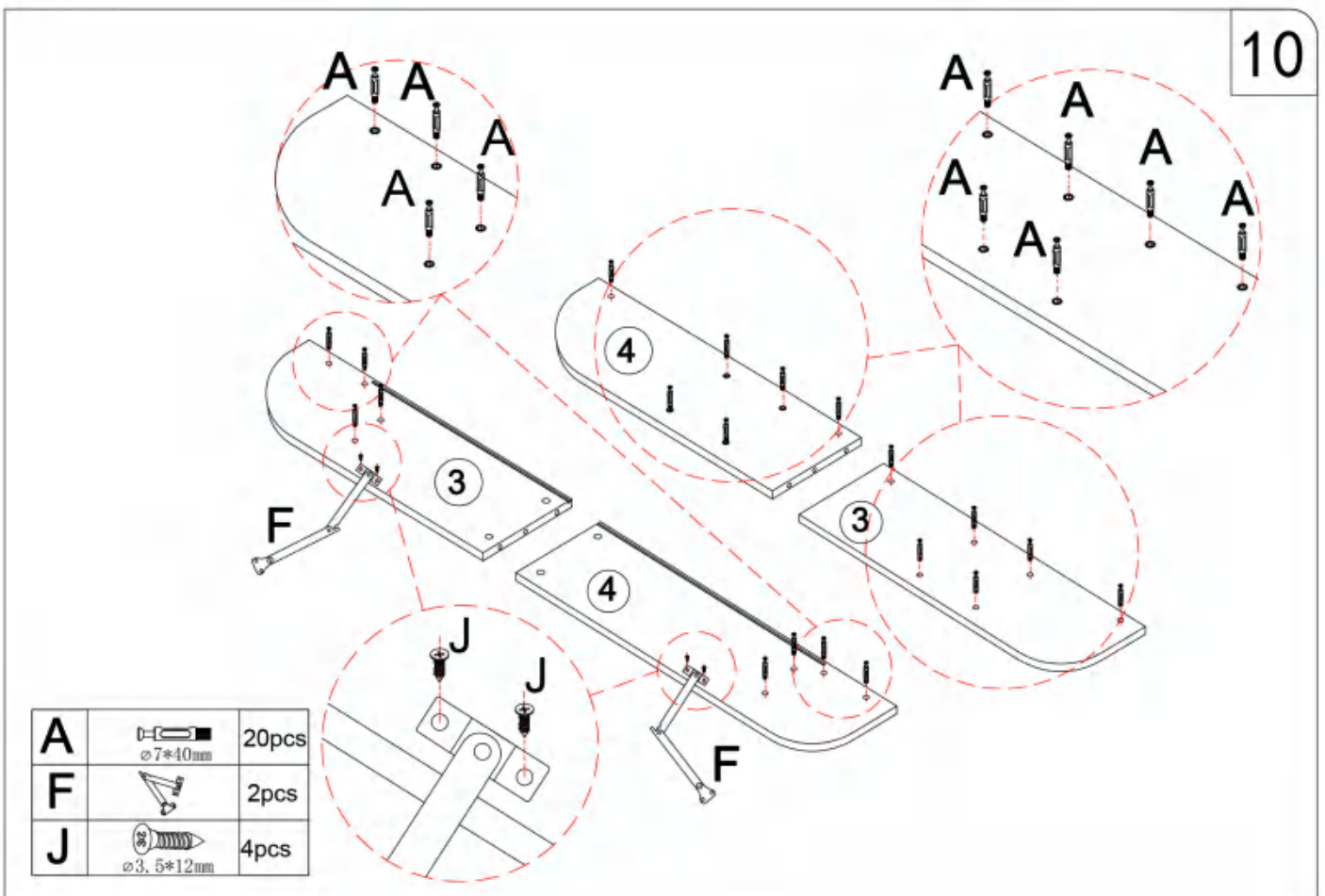
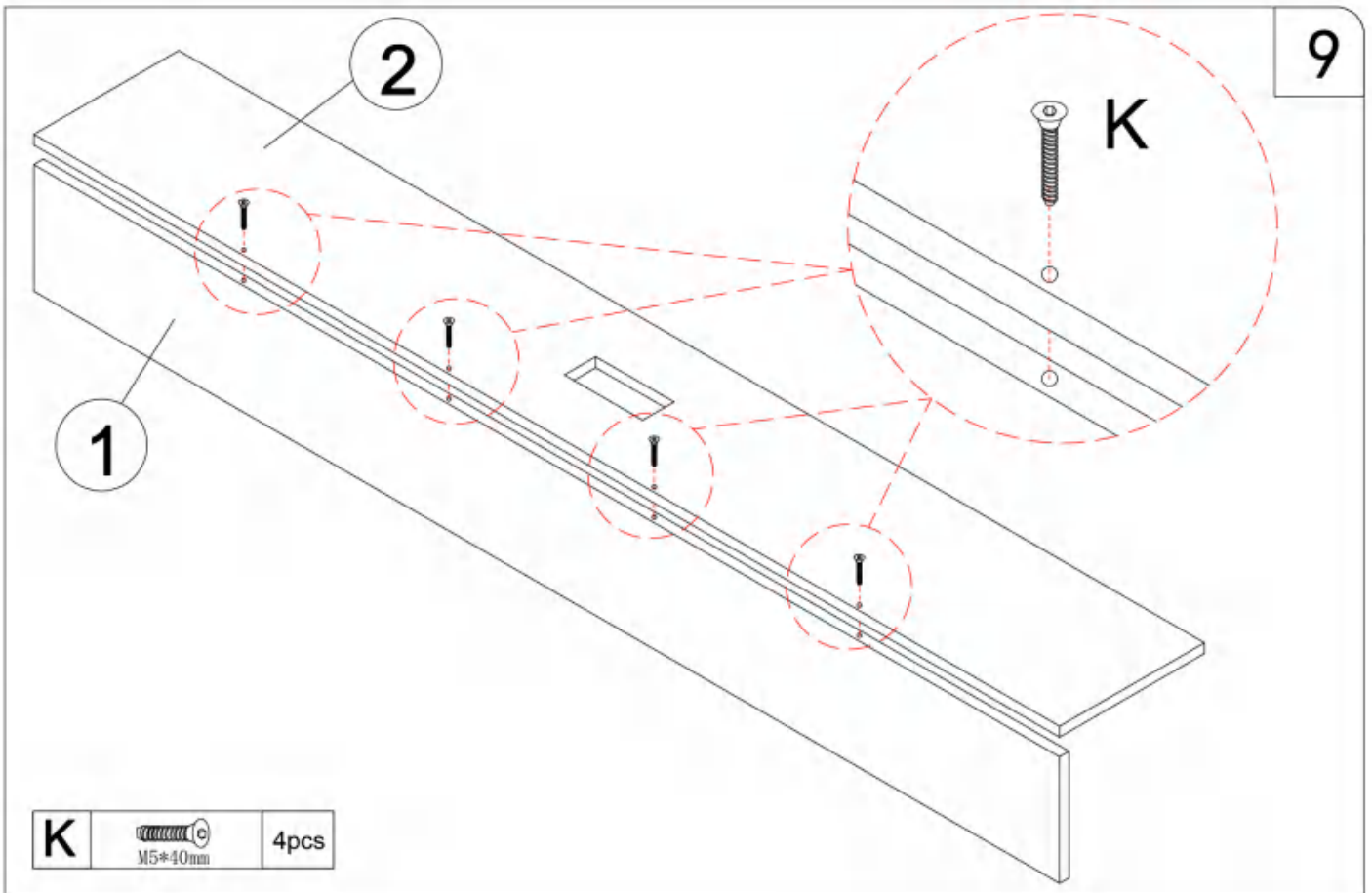
7



8



ASSEMBLY INSTRUCTIONS



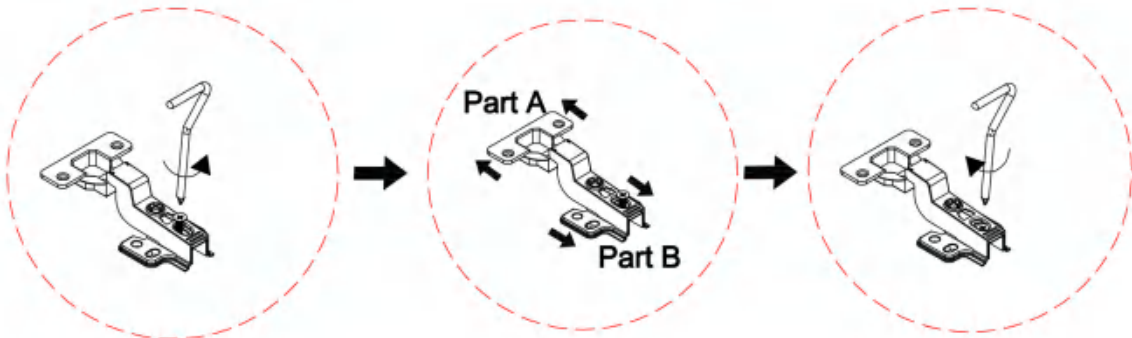
13

⚠ Make the following adjustments to component C before installing Step 15

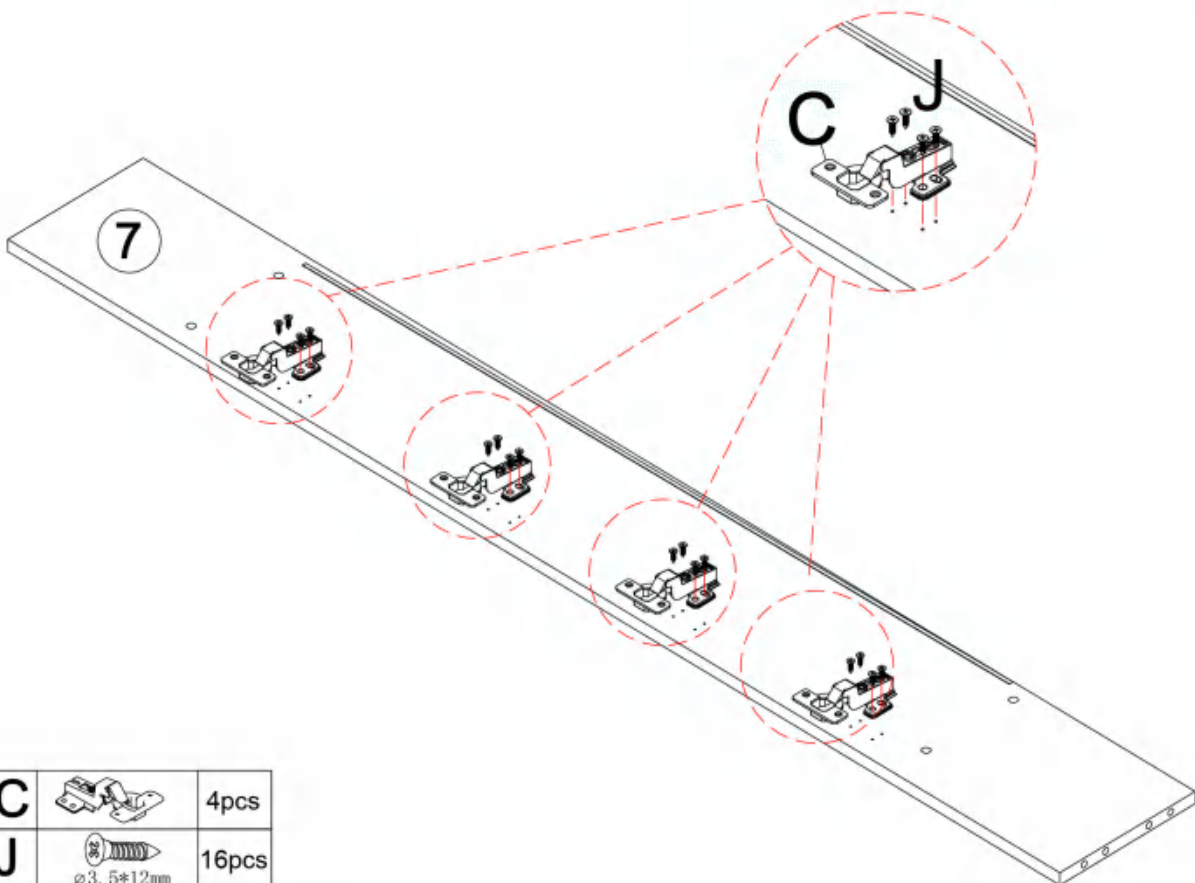
Loosen the screw first

Then push the part to the bottom end of the strip hole

Finally, tighten the screw



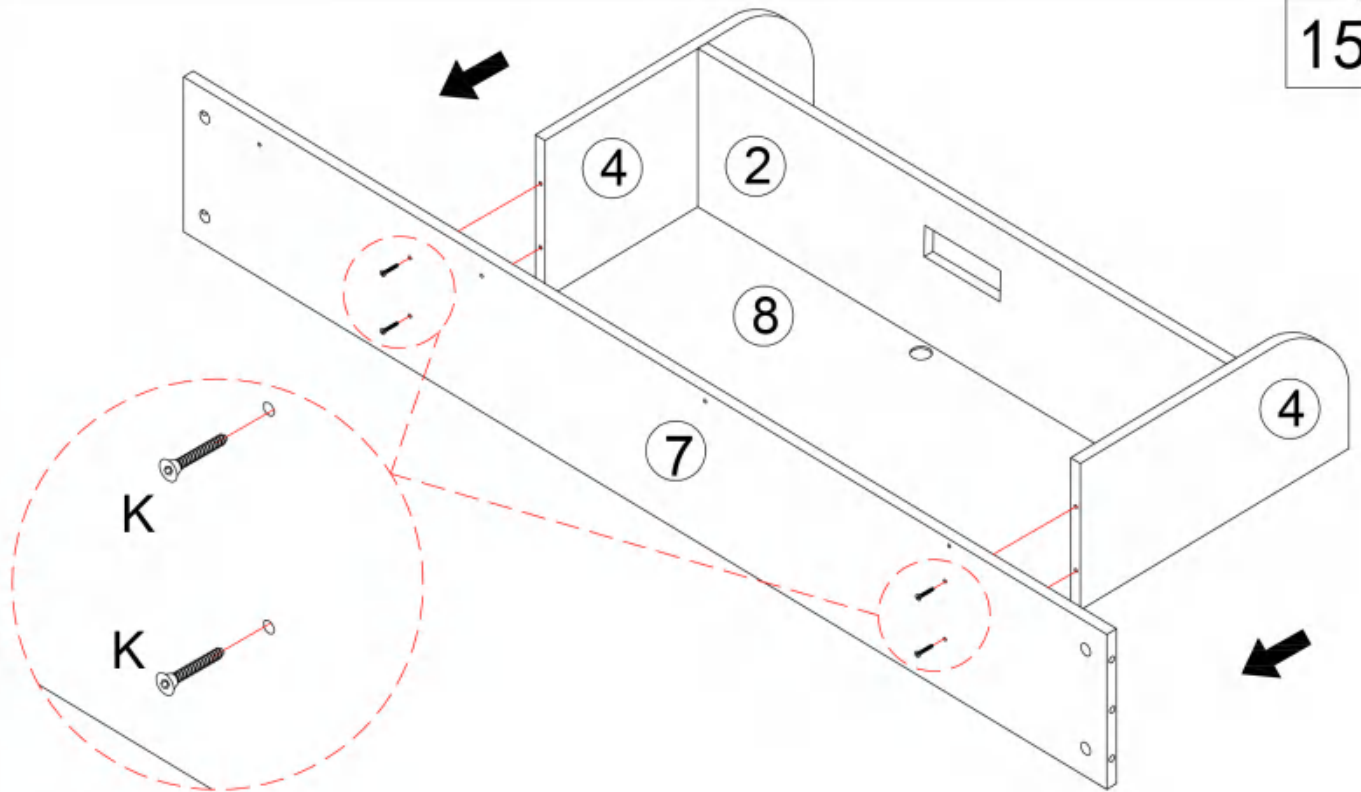
14

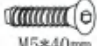


C		4pcs
J		16pcs

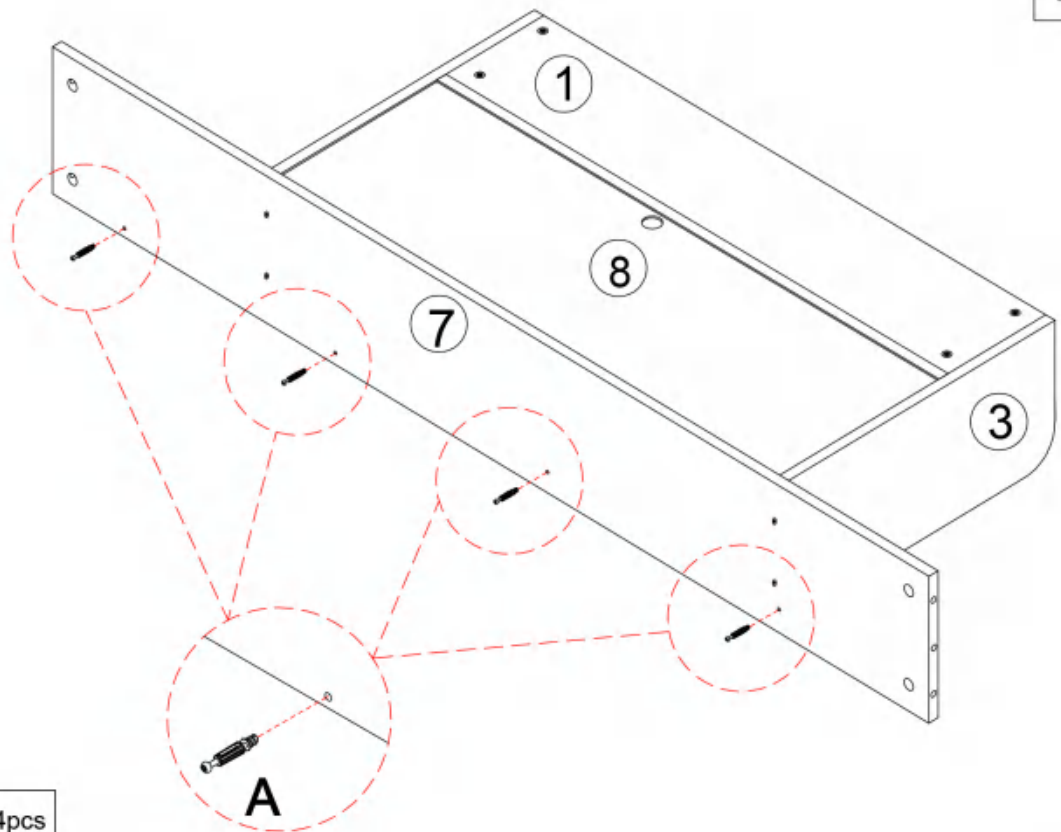
ASSEMBLY INSTRUCTIONS

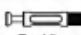
15



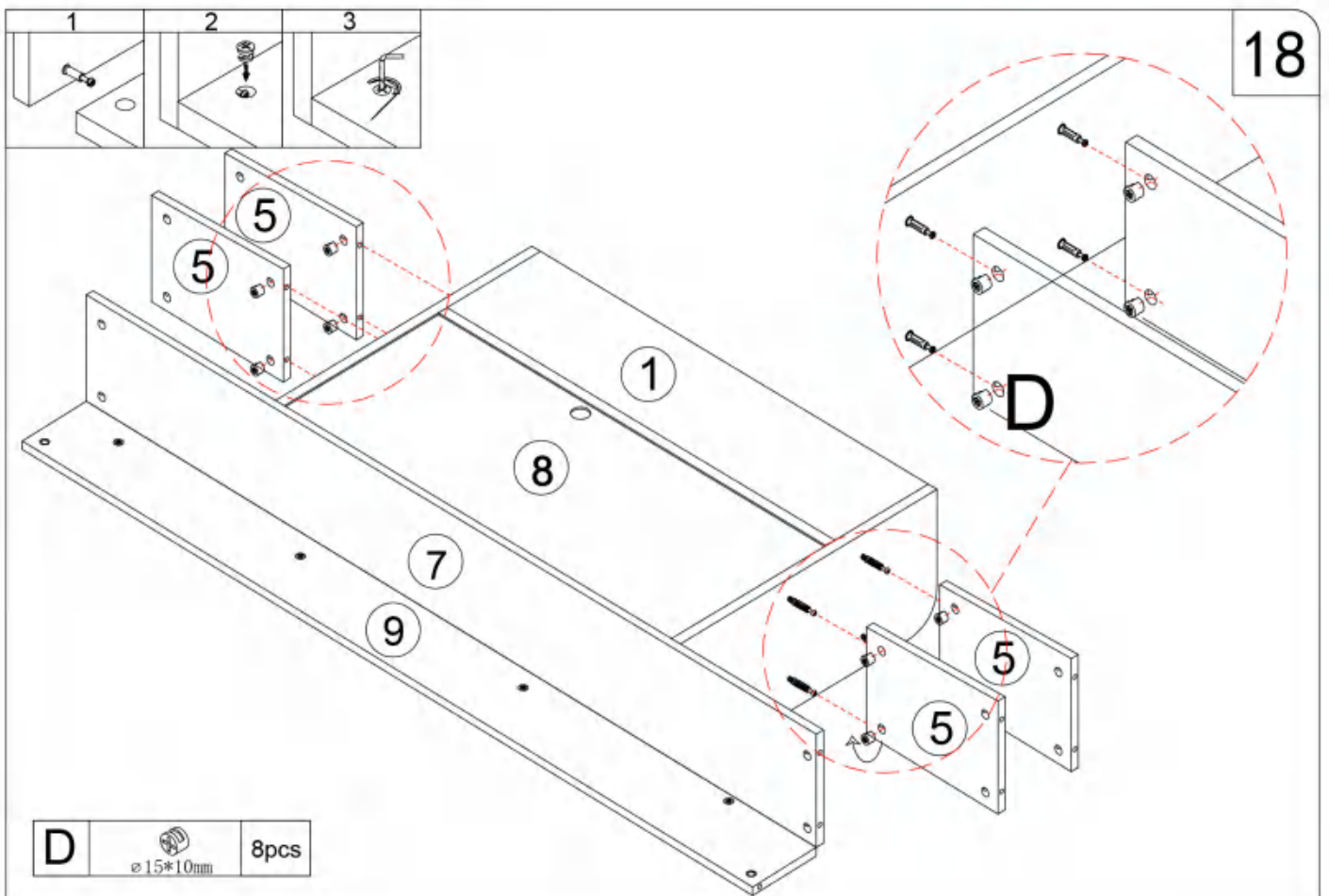
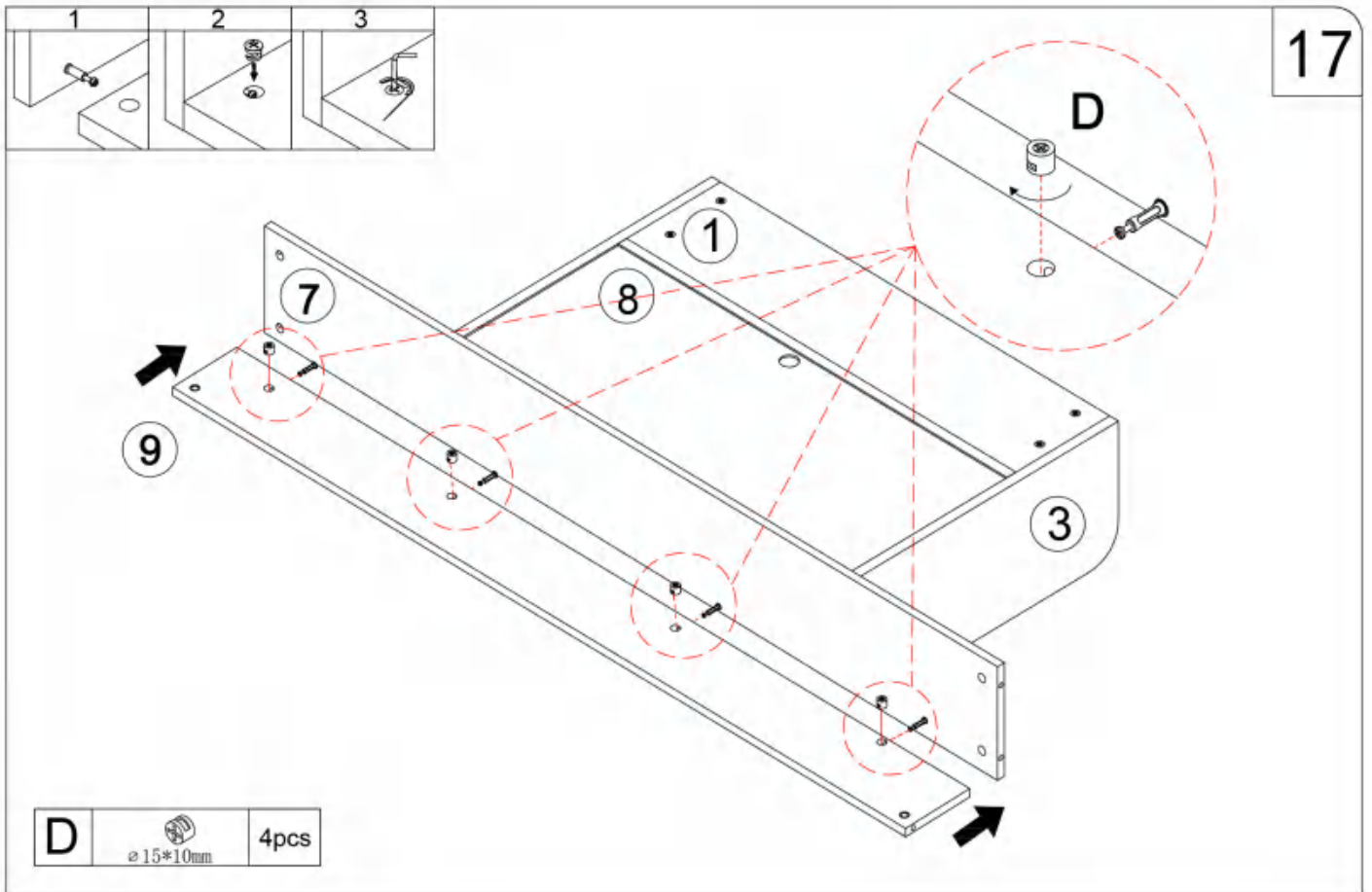
K		4pcs
	M5*40mm	

16

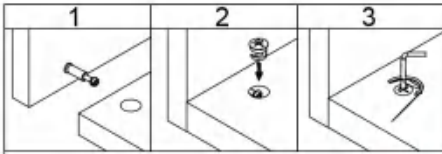


A		4pcs
	∅7*40mm	

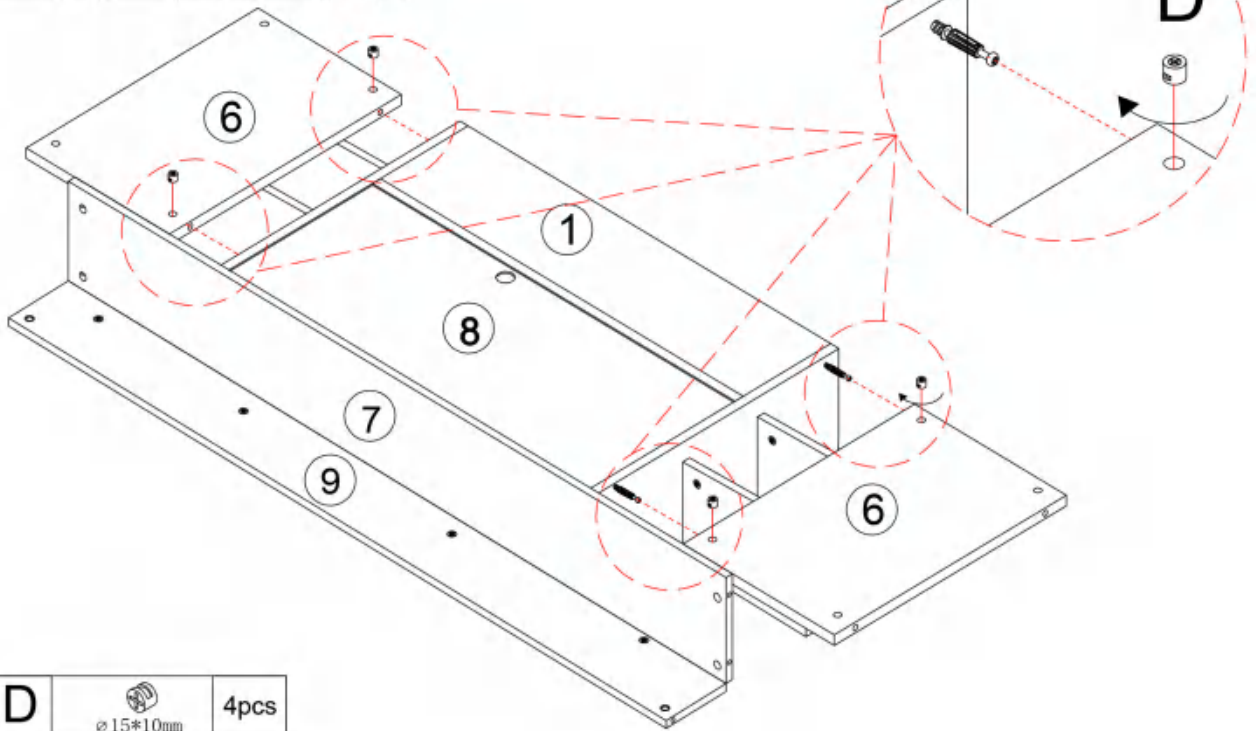
ASSEMBLY INSTRUCTIONS



ASSEMBLY INSTRUCTIONS

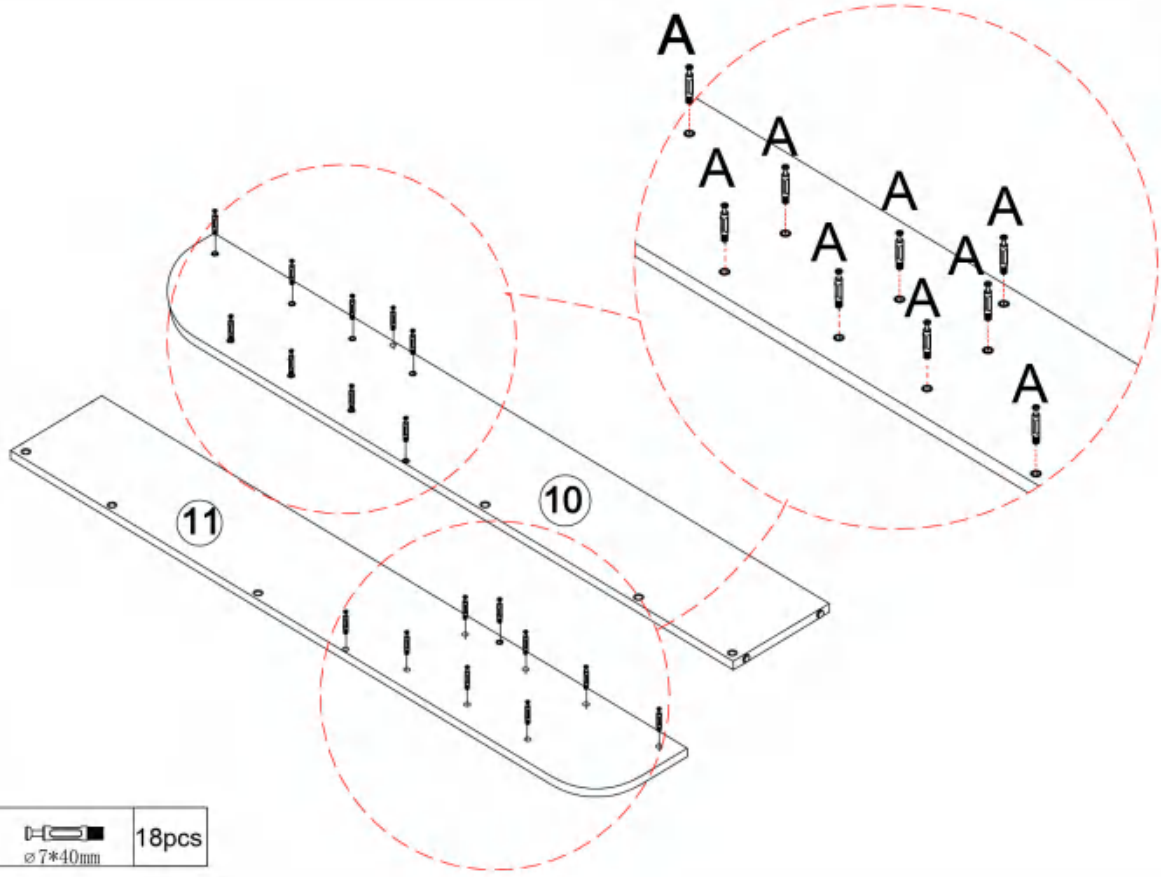


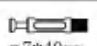
19



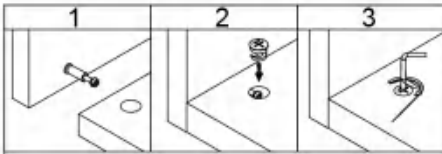
D  4pcs
ø 15*10mm

20

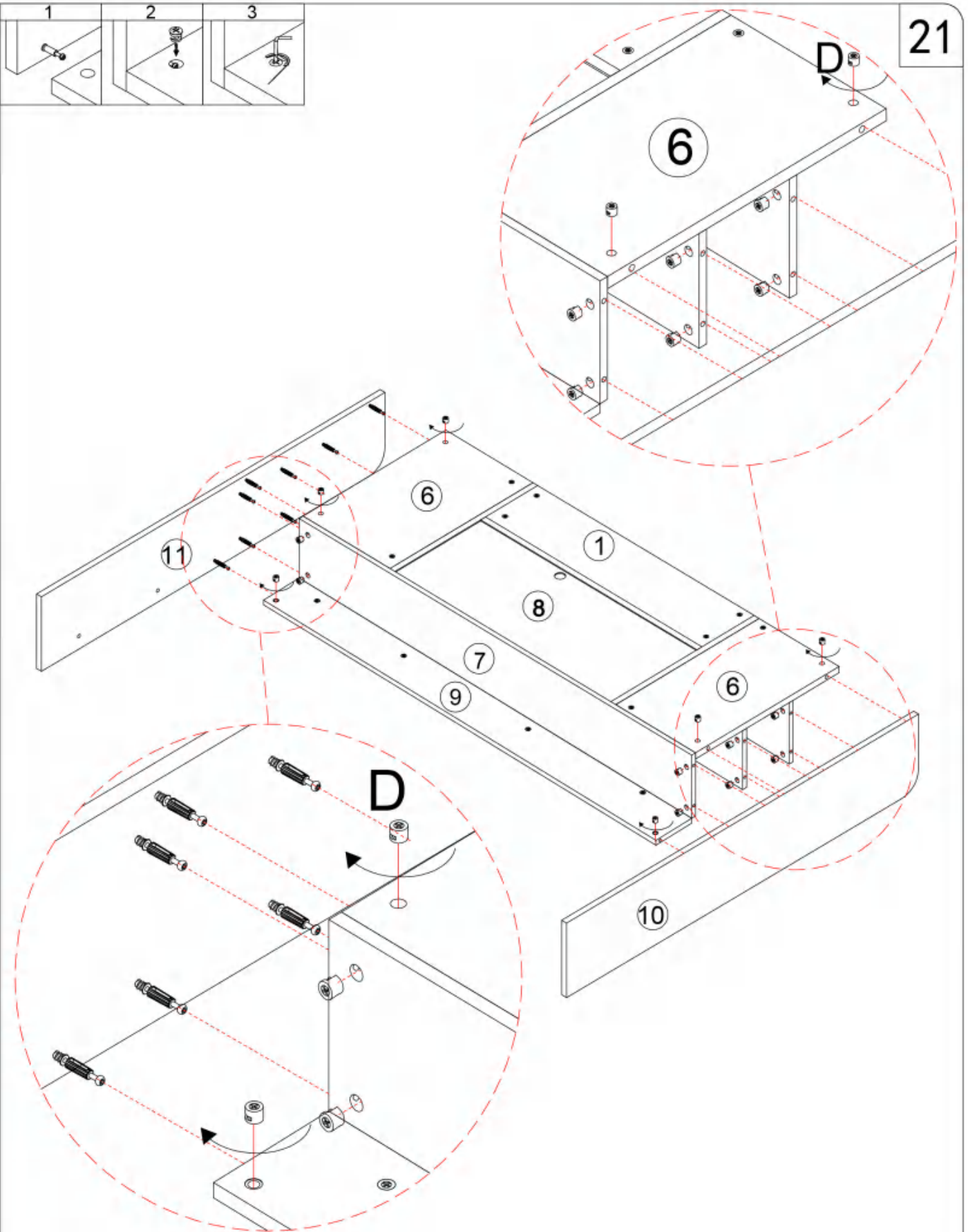


A  18pcs
ø 7*40mm

ASSEMBLY INSTRUCTIONS



21

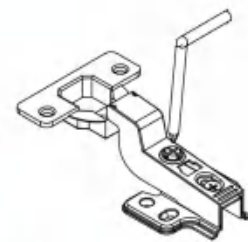


D		18pcs
<small>∅ 15*10mm</small>		

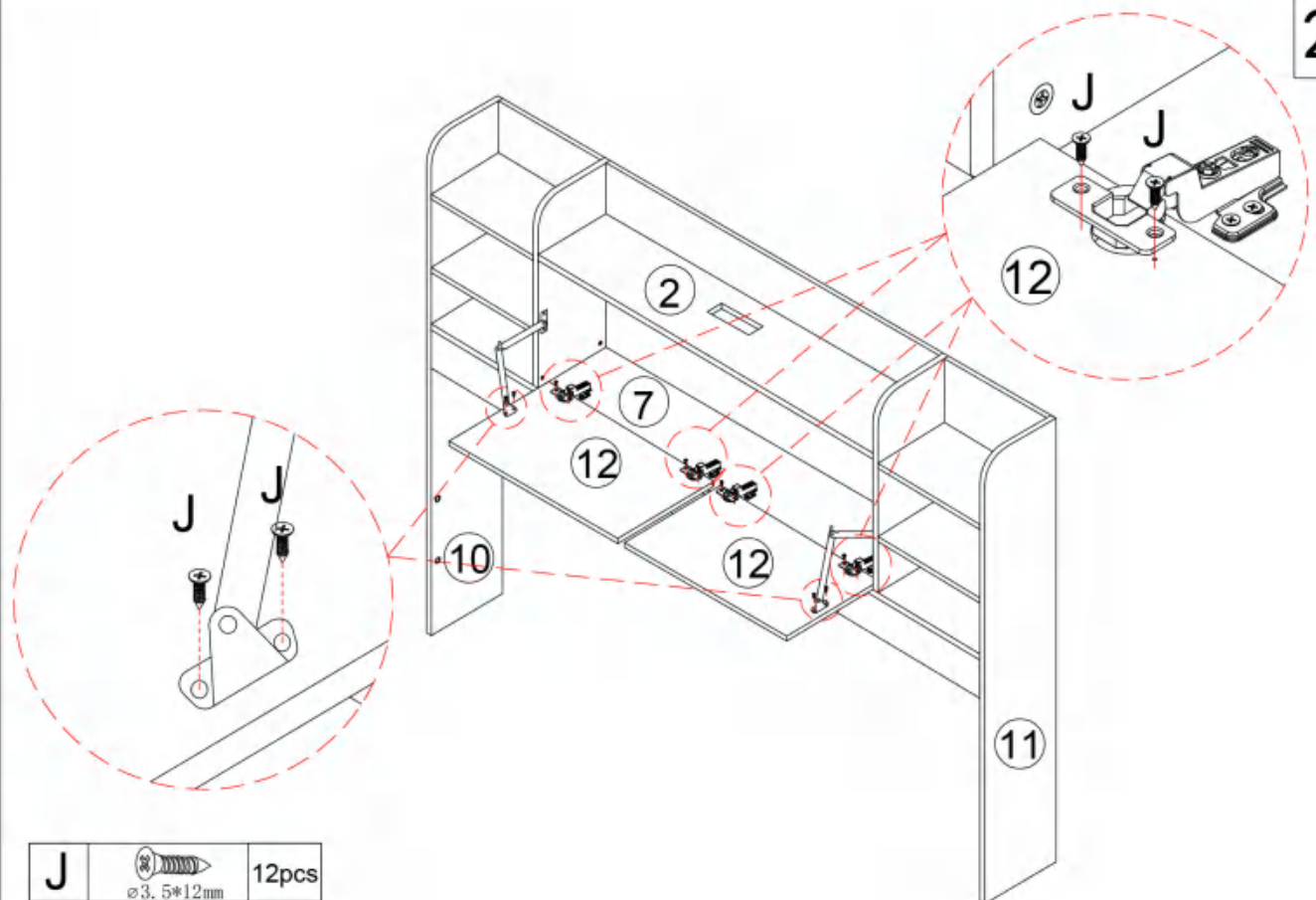
Kind reminder in step 23

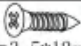
22

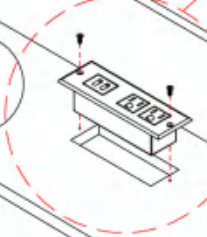
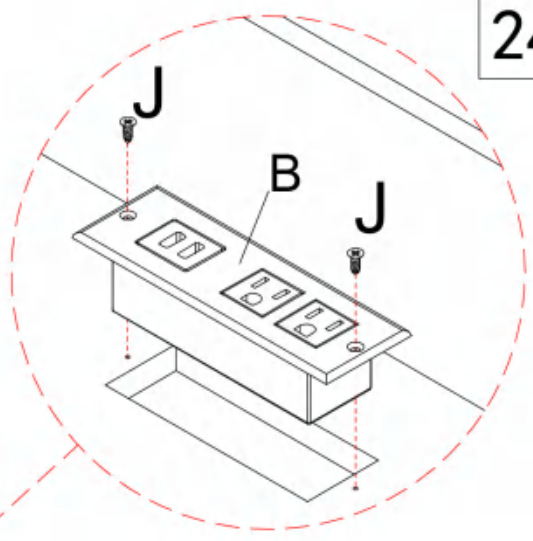
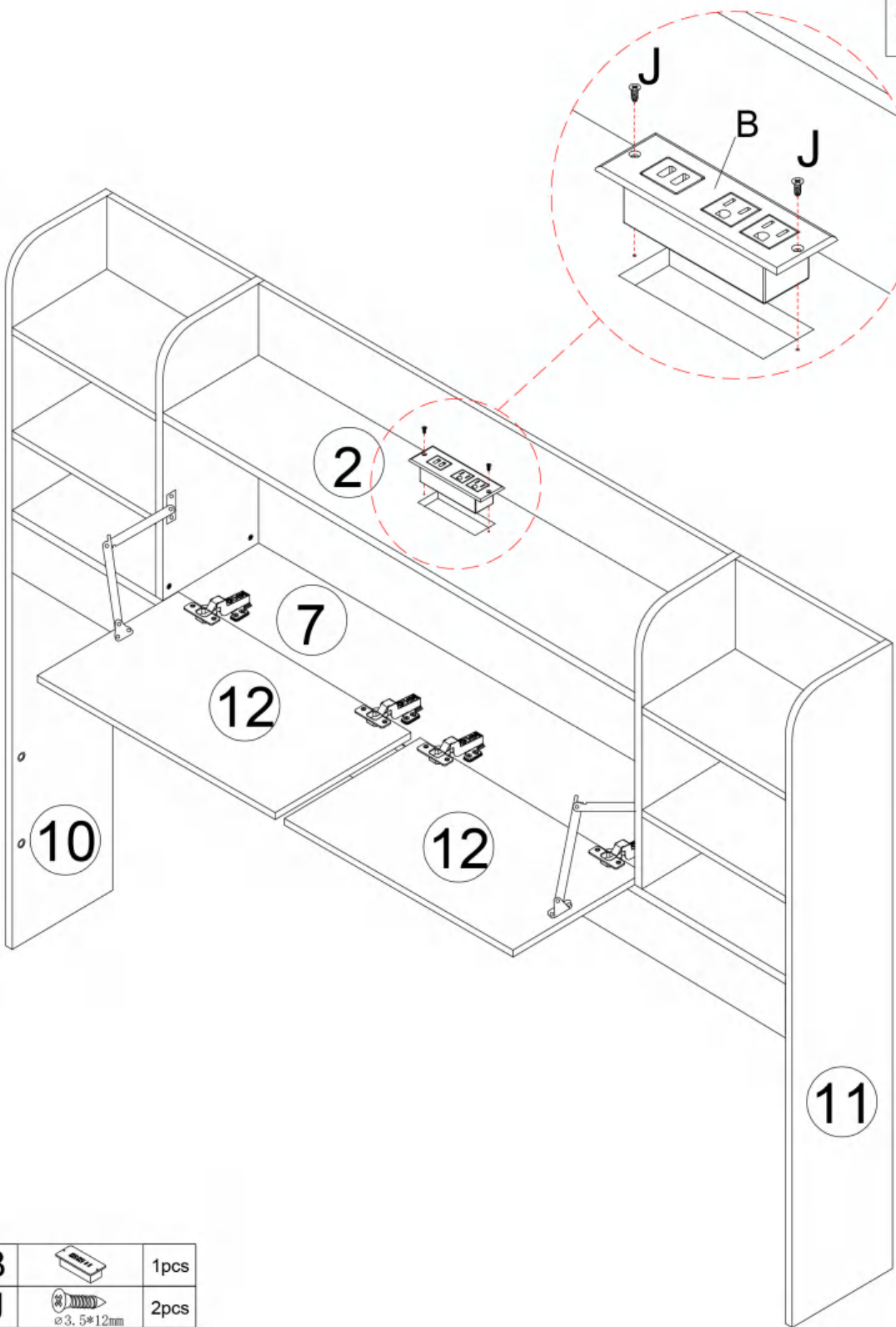
Tighten this screw to ensure that part 12 can be pushed into the right position smoothly.
Adjust the tightness of this screw (tighten or loosen) in case part 12 is not align with the top of part 2 when it's closed.


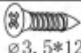


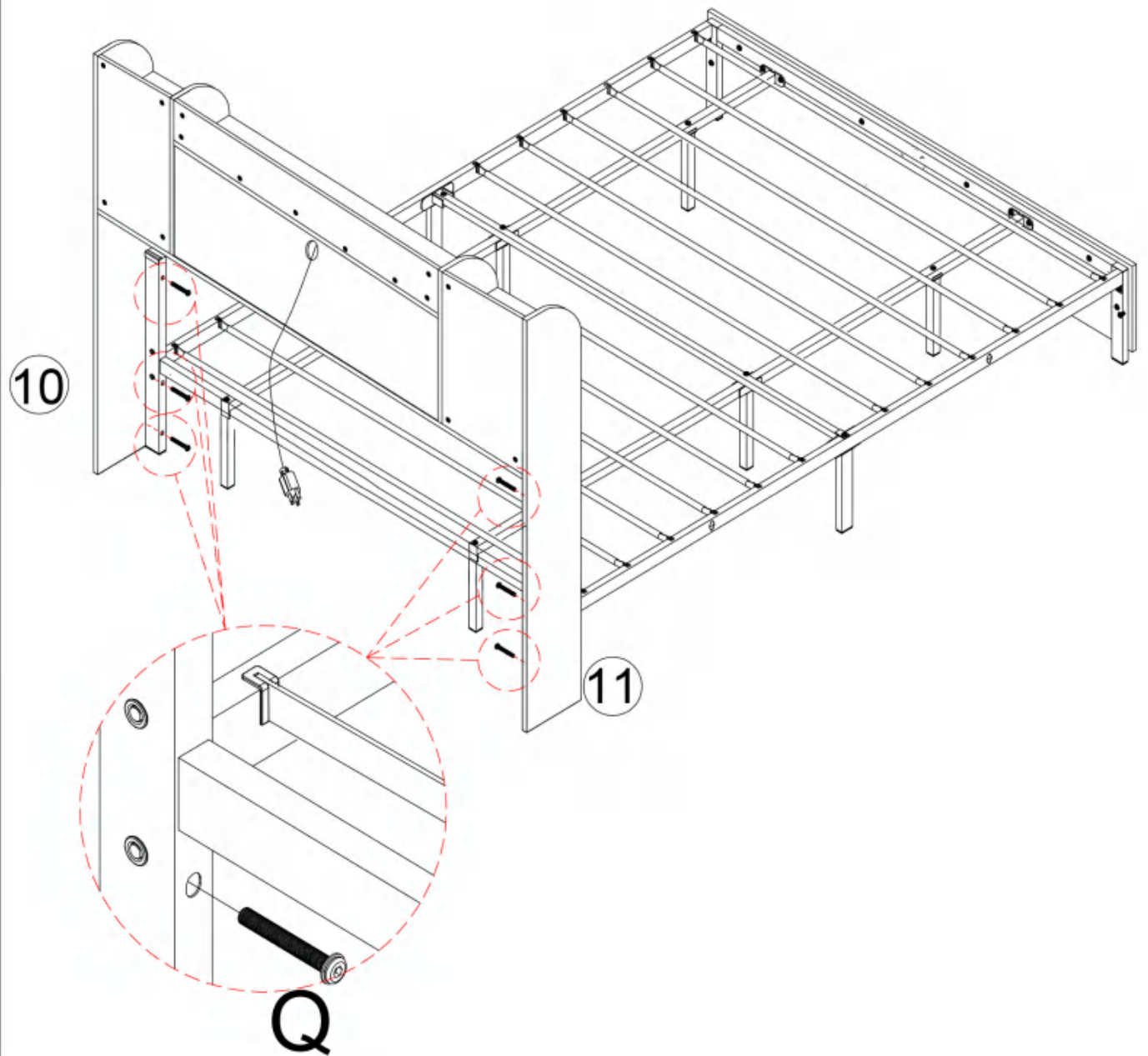
23



J  12pcs
ø3.5*12mm



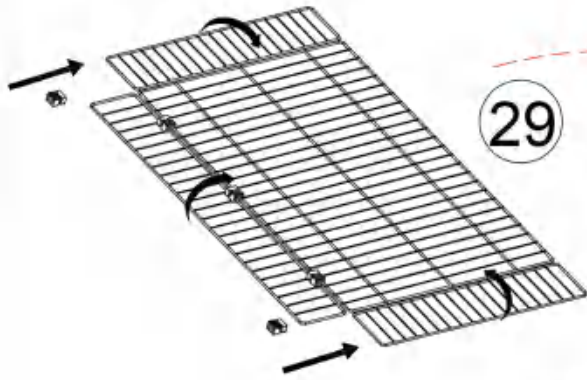
B		1pcs
J	 ø3.5*12mm	2pcs



Q	 M8*50mm	6pcs
---	--	------

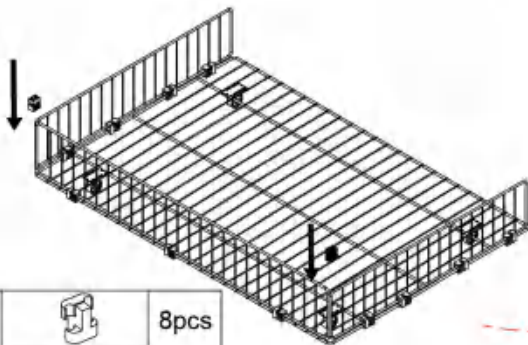
ASSEMBLY INSTRUCTIONS

26

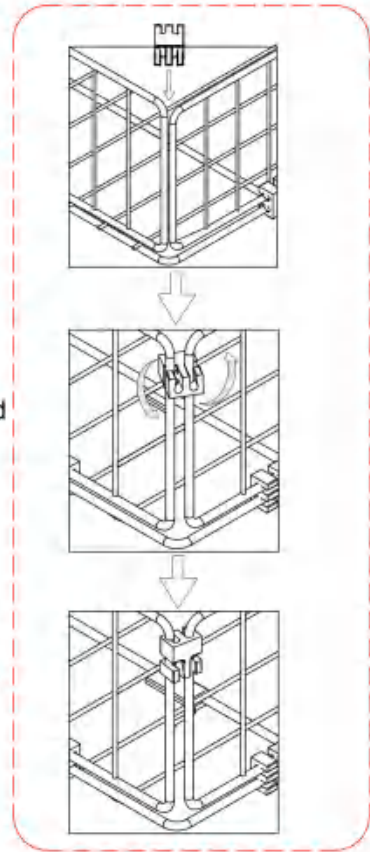


29

The plastic buckle is placed between the two wires as shown.

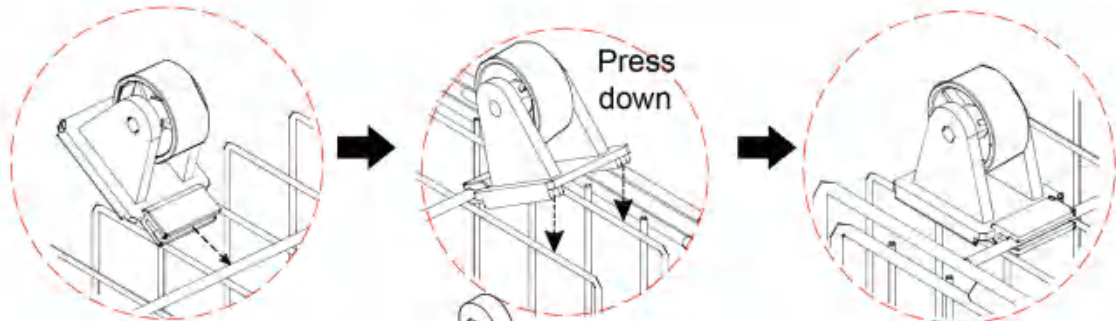


The plastic buckle rotates into wires

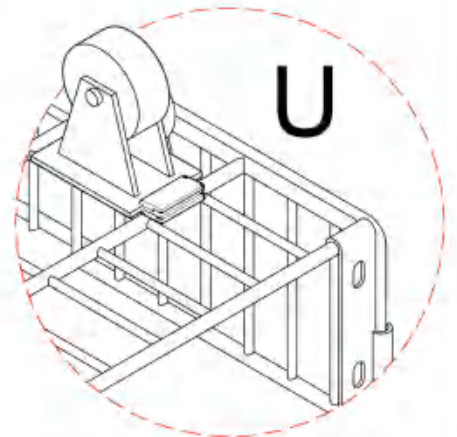
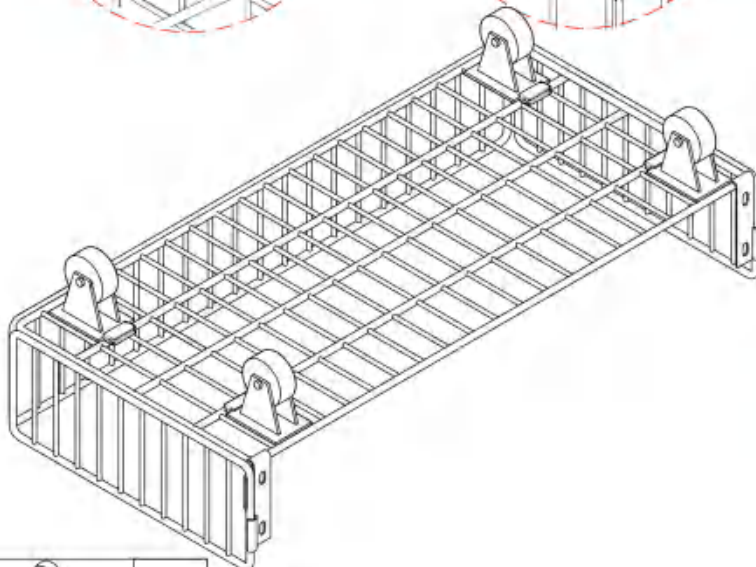


S  8pcs

27



Press down

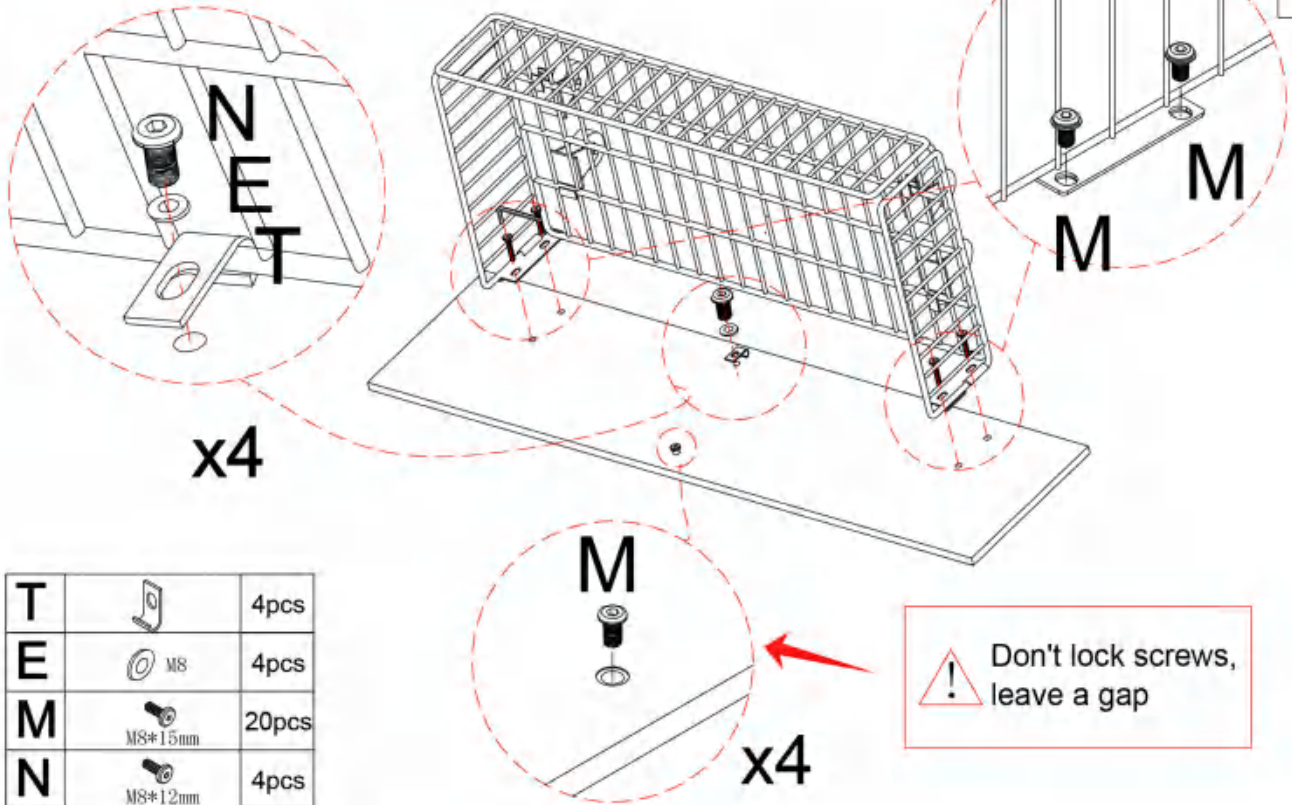


U

U  16pcs

ASSEMBLY INSTRUCTIONS

28

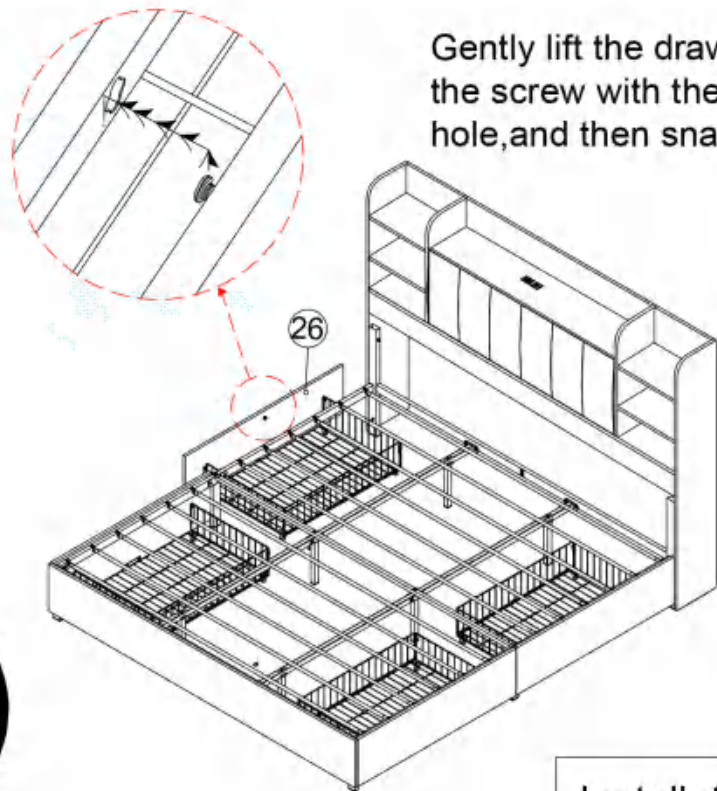


T		4pcs
E	M8	4pcs
M	M8*15mm	20pcs
N	M8*12mm	4pcs

! Don't lock screws, leave a gap

29

Gently lift the drawer, align the screw with the gourd-shaped hole, and then snap it in



Installation Complete