

Storage Platform Bed

Asselmbly Instructions



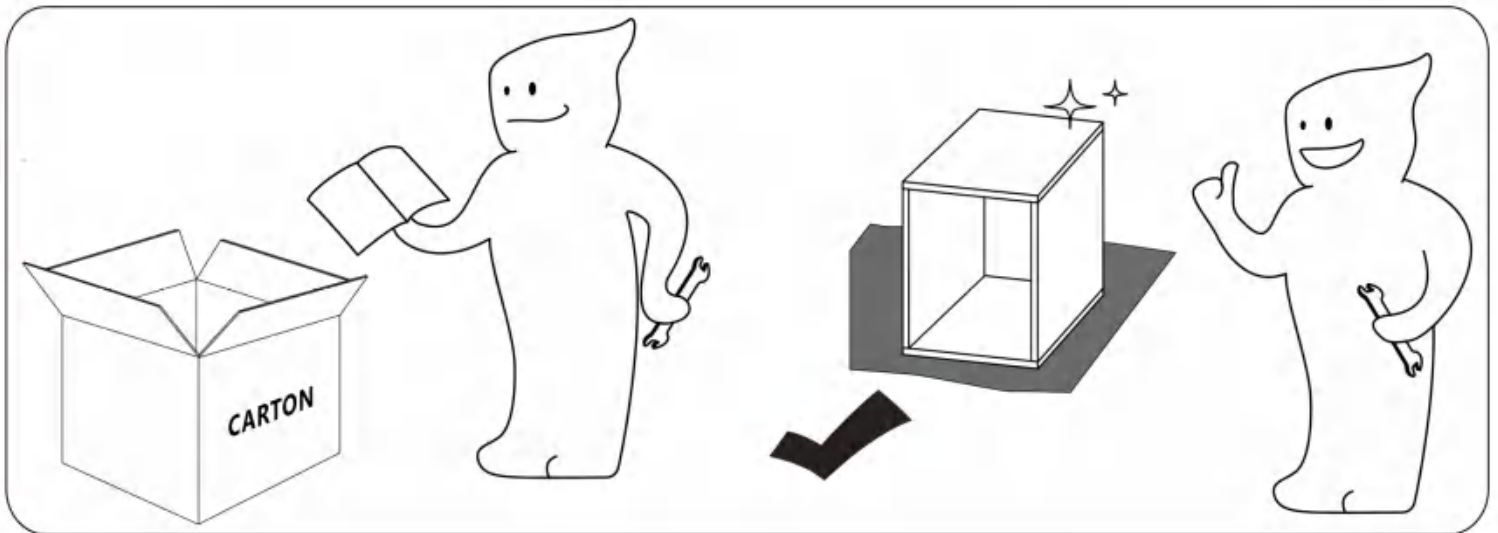
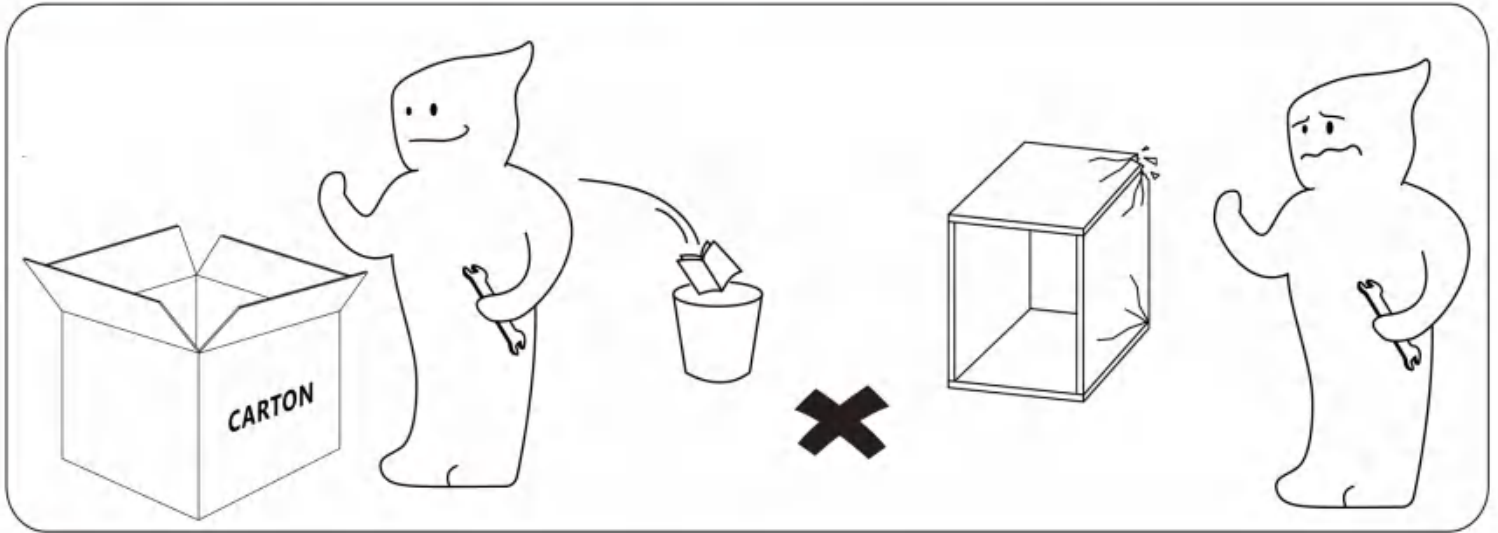
Dear Customers,

Thank you for purchasing our product. Please read this instruction manual carefully after receiving this product. It will help you assemble this product quickly, safely and correctly. You can keep this manual for future reference.

MADE IN CHINA



Please follow the instruction manuals and use a pad to protect the product during your assembly.



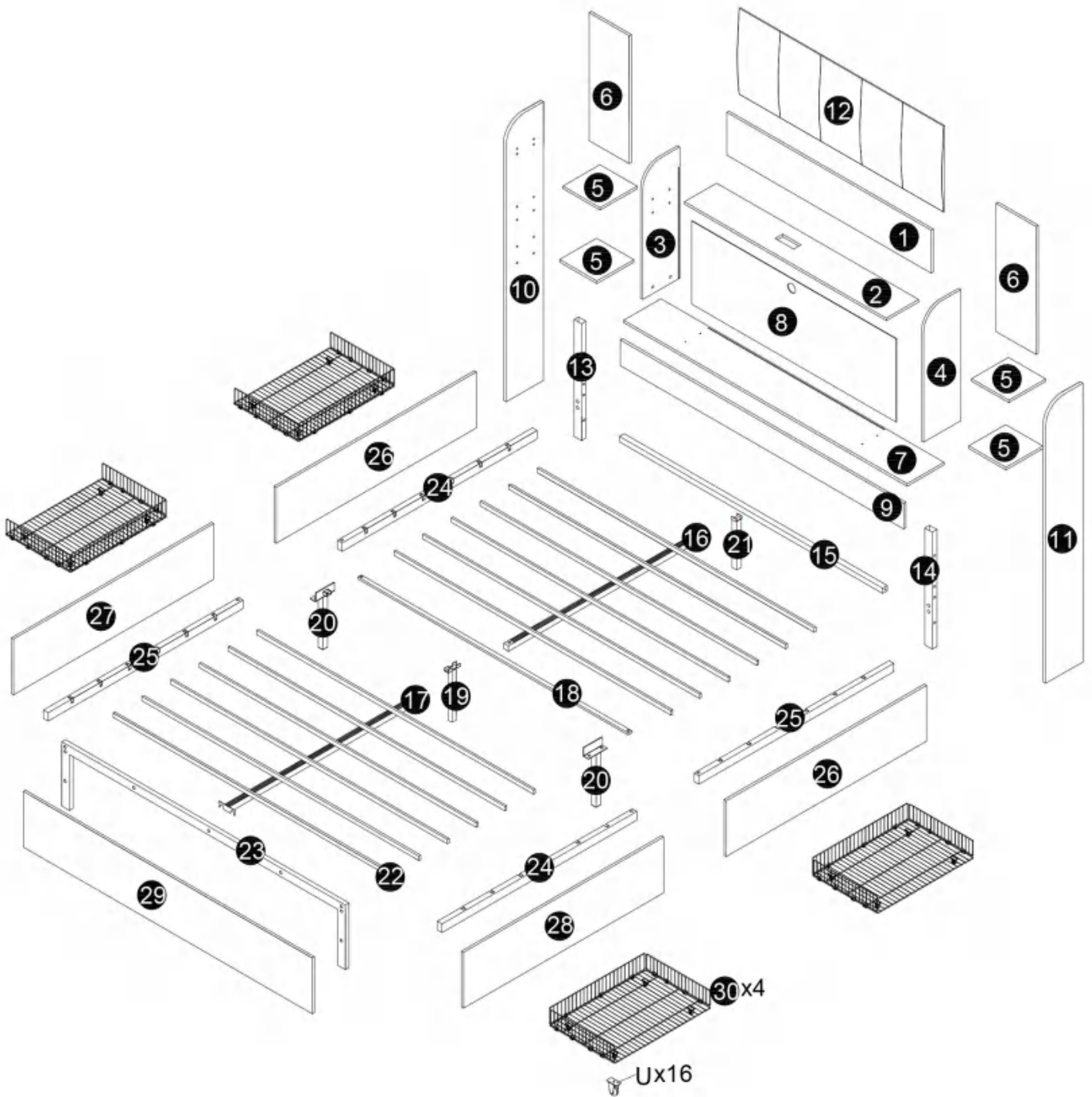
Note:

1. Should be assembled on flat ground to keep balance.
2. Before completing the installation, do not tighten the screws.


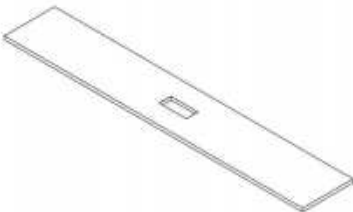





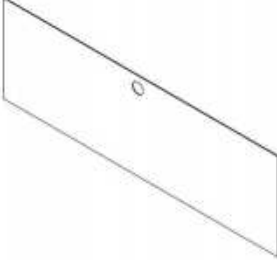



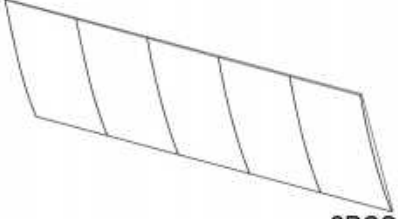








For easier and better assembly, **2** or more adults are required.













ASSEMBLY INSTRUCTIONS
























ASSEMBLY INSTRUCTIONS

<p>1</p>  <p>1PCS</p>	<p>2</p>  <p>1PCS</p>	<p>3</p>  <p>1PCS</p>
<p>4</p>  <p>1PCS</p>	<p>5</p>  <p>4PCS</p>	<p>6</p>  <p>2PCS</p>
<p>7</p>  <p>1PCS</p>	<p>8</p>  <p>1PCS</p>	<p>9</p>  <p>1PCS</p>
<p>10</p>  <p>1PCS</p>	<p>11</p>  <p>1PCS</p>	<p>12</p>  <p>2PCS</p>
<p>13</p>  <p>1PCS</p>	<p>14</p>  <p>1PCS</p>	<p>15</p>  <p>1PCS</p>
<p>16</p>  <p>1PCS</p>	<p>17</p>  <p>1PCS</p>	<p>18</p>  <p>1PCS</p>

ASSEMBLY INSTRUCTIONS

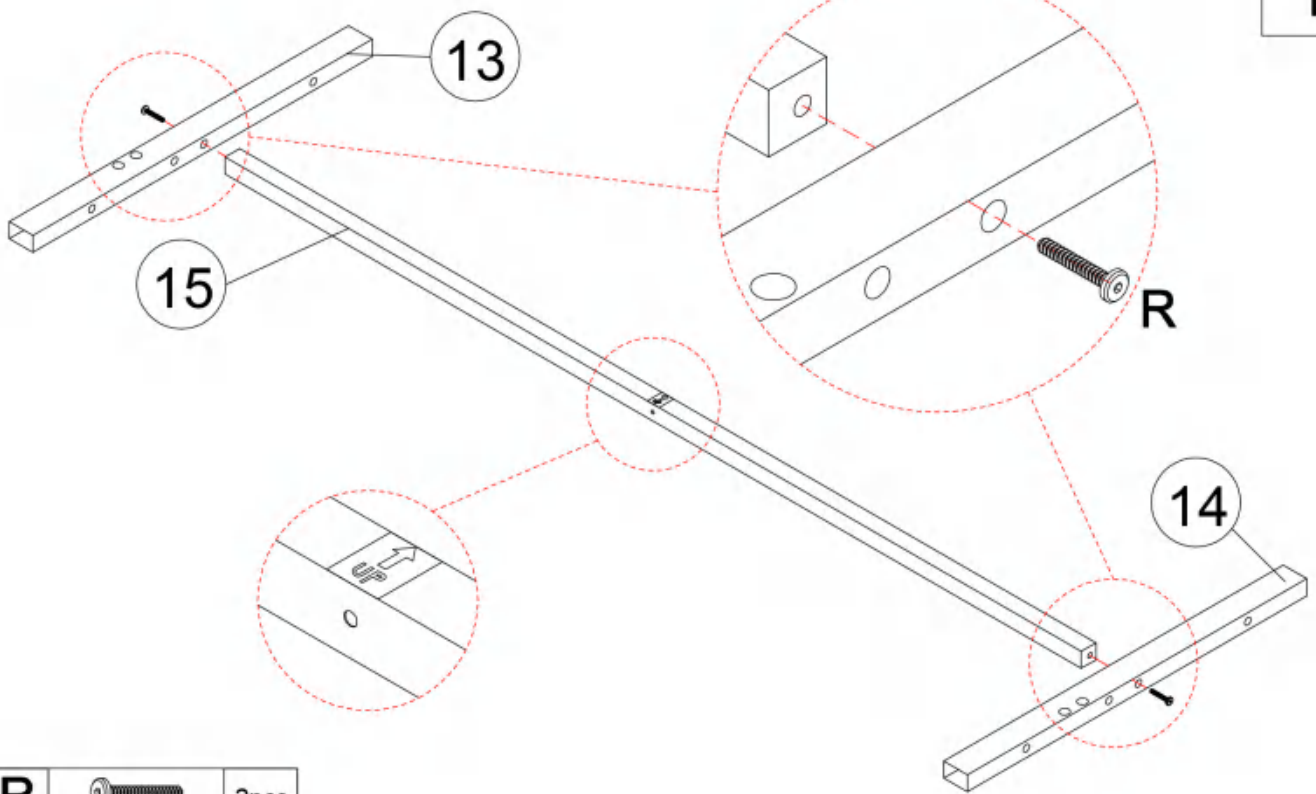
<p>19</p>  <p>1PCS</p>	<p>20</p>  <p>2PCS</p>	<p>21</p>  <p>1PCS</p>
<p>22</p>  <p>12PCS</p>	<p>23</p>  <p>1PCS</p>	<p>24</p>  <p>2PCS</p>
<p>25</p>  <p>2PCS</p>	<p>26</p>  <p>2PCS</p>	<p>27</p>  <p>1PCS</p>
<p>28</p>  <p>1PCS</p>	<p>29</p>  <p>1PCS</p>	<p>30</p>  <p>4PCS</p>

ASSEMBLY INSTRUCTIONS

<p>(A)</p>  <p>∅7*40</p> <p>42PCS</p>	<p>(B)</p>  <p>1PCS</p>	<p>(C)</p>  <p>3PCS</p>
<p>(D)</p>  <p>∅15*10</p> <p>42PCS</p>	<p>(E)</p>  <p>M8</p> <p>4PCS</p>	<p>(F)</p>  <p>2PCS</p>
<p>(G)</p>  <p>M3</p> <p>1PCS</p>	<p>(H)</p>  <p>M4</p> <p>1PCS</p>	<p>(I)</p>  <p>M5</p> <p>1PCS</p>
<p>(J)</p>  <p>M3.5*12</p> <p>28PCS</p>	<p>(K)</p>  <p>M5*40</p> <p>8PCS</p>	<p>(L)</p>  <p>M6*15</p> <p>2PCS</p>
<p>(N)</p>  <p>M8*12</p> <p>4PCS</p>	<p>(M)</p>  <p>M8*15</p> <p>20PCS</p>	<p>(O)</p>  <p>M8*30</p> <p>6PCS</p>
<p>(P)</p>  <p>M8*40</p> <p>10PCS</p>	<p>(Q)</p>  <p>M8*50</p> <p>10PCS</p>	<p>(R)</p>  <p>M8*60</p> <p>4PCS</p>
<p>(S)</p>  <p>8PCS</p>	<p>(T)</p>  <p>4PCS</p>	<p>(U)</p>  <p>16PCS</p>

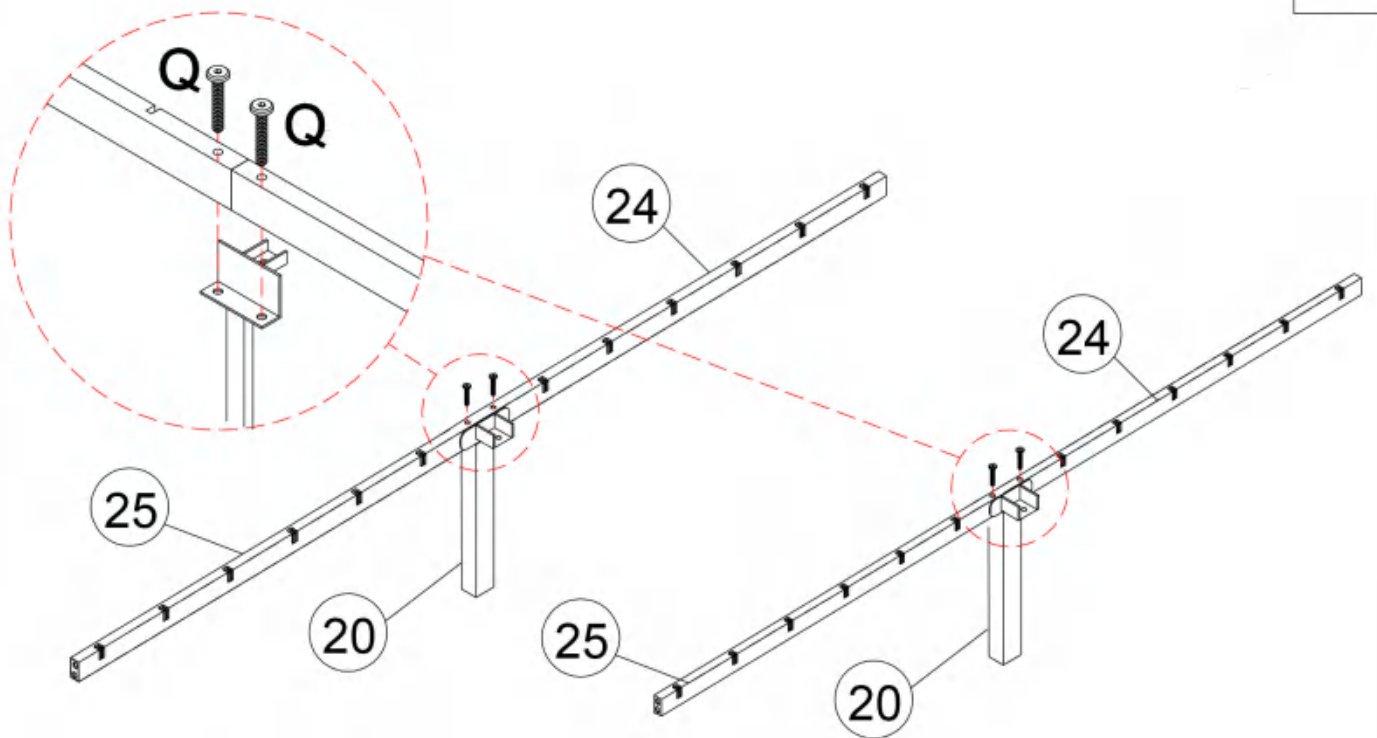
ASSEMBLY INSTRUCTIONS

1



R  2pcs
M8*60mm

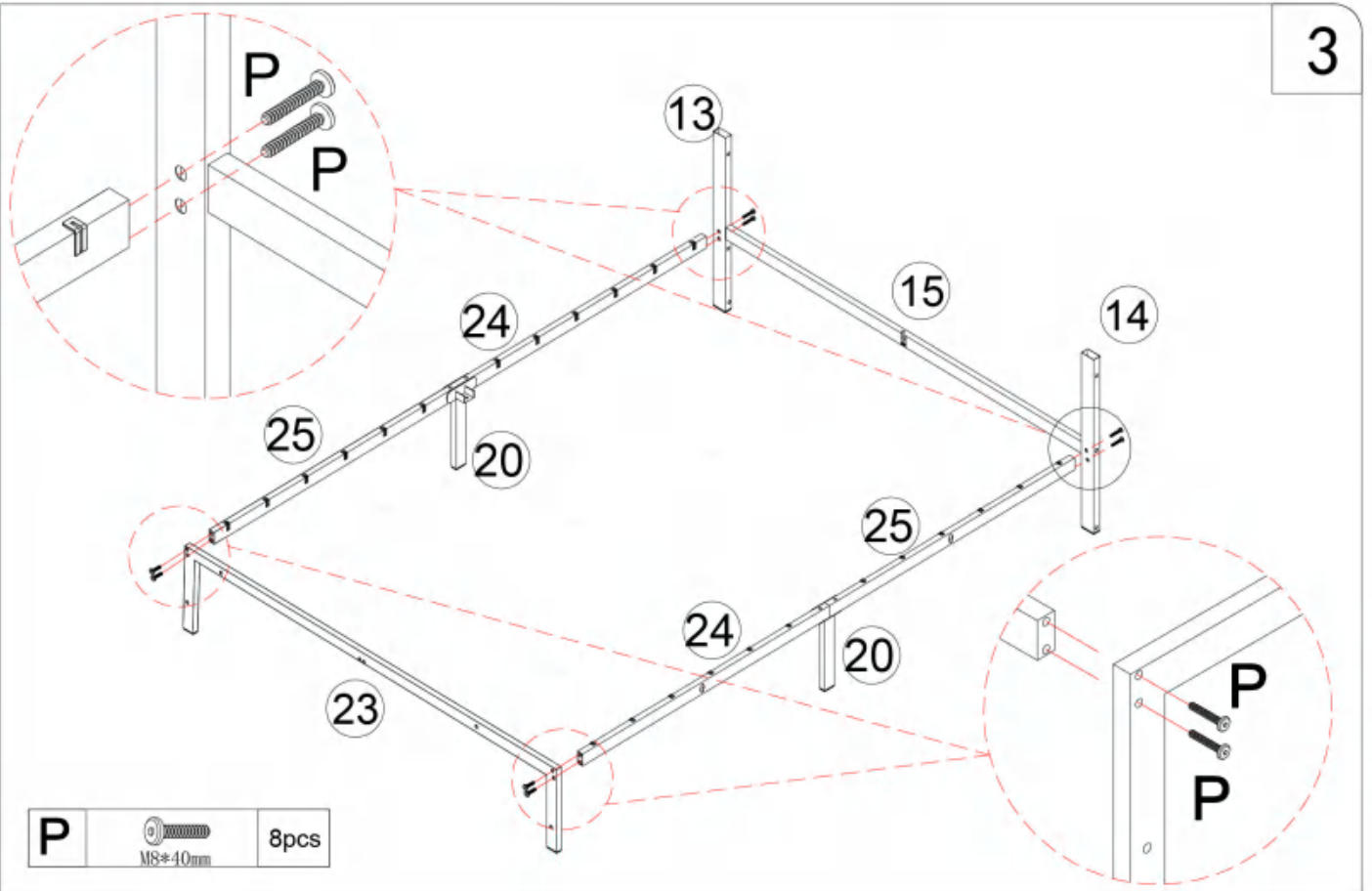
2



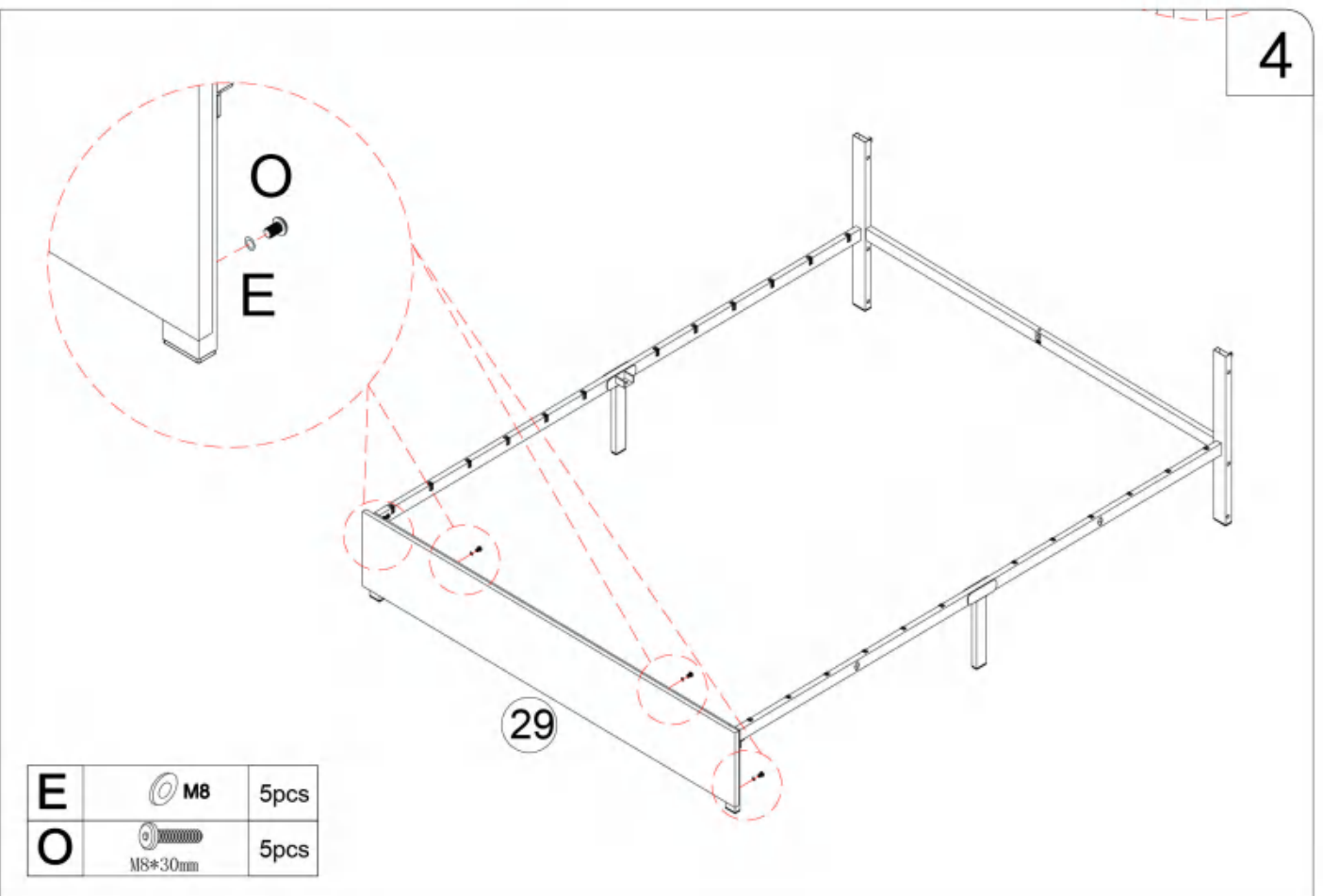
Q  4pcs
M8*50mm

ASSEMBLY INSTRUCTIONS

3

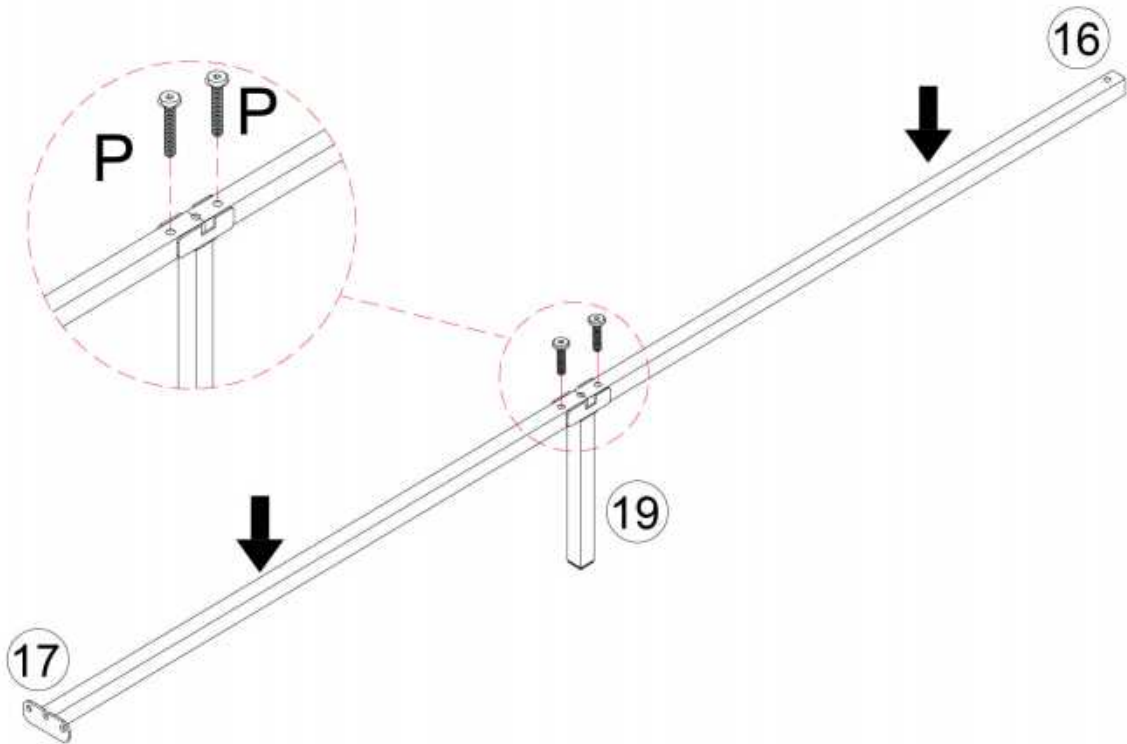


4



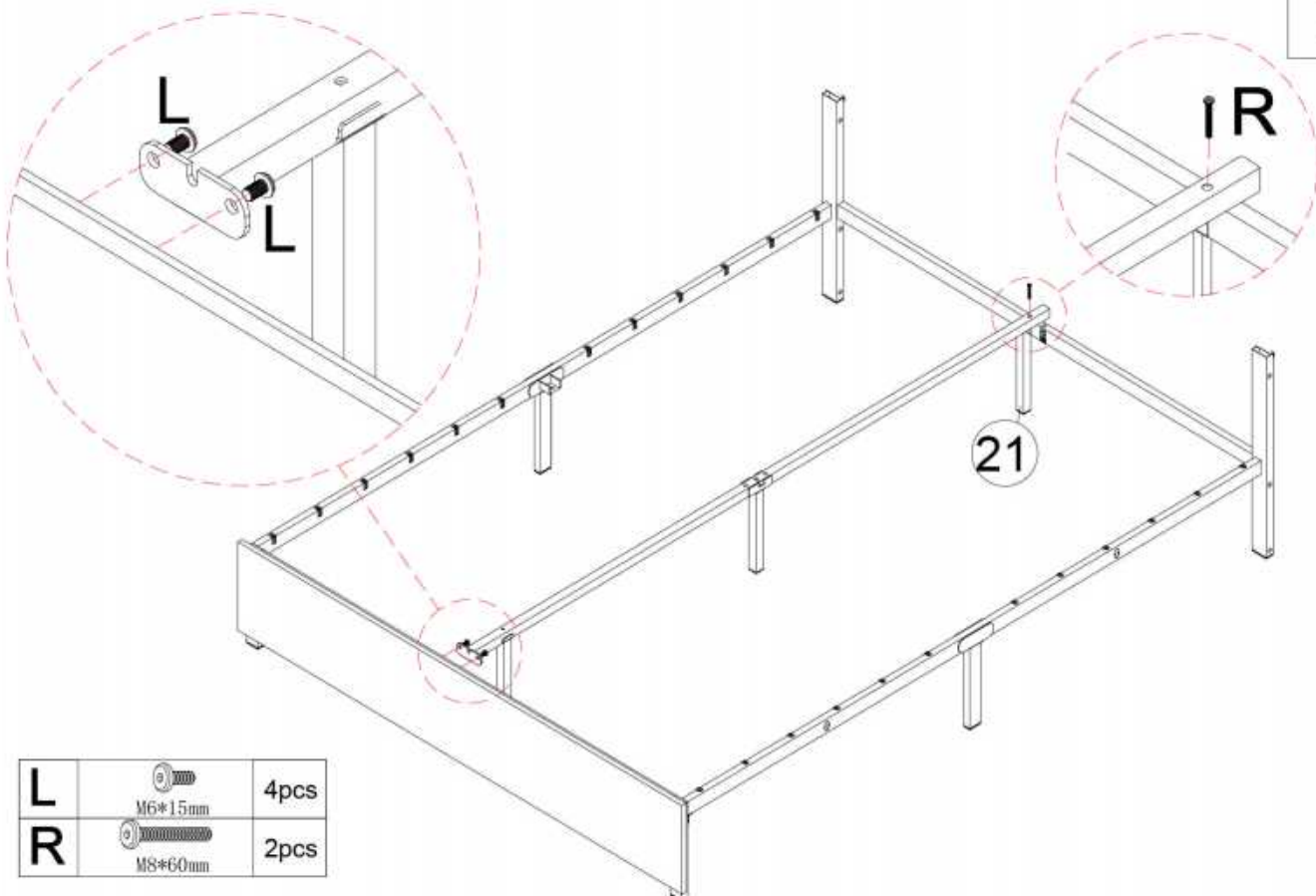
ASSEMBLY INSTRUCTIONS


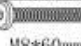
5



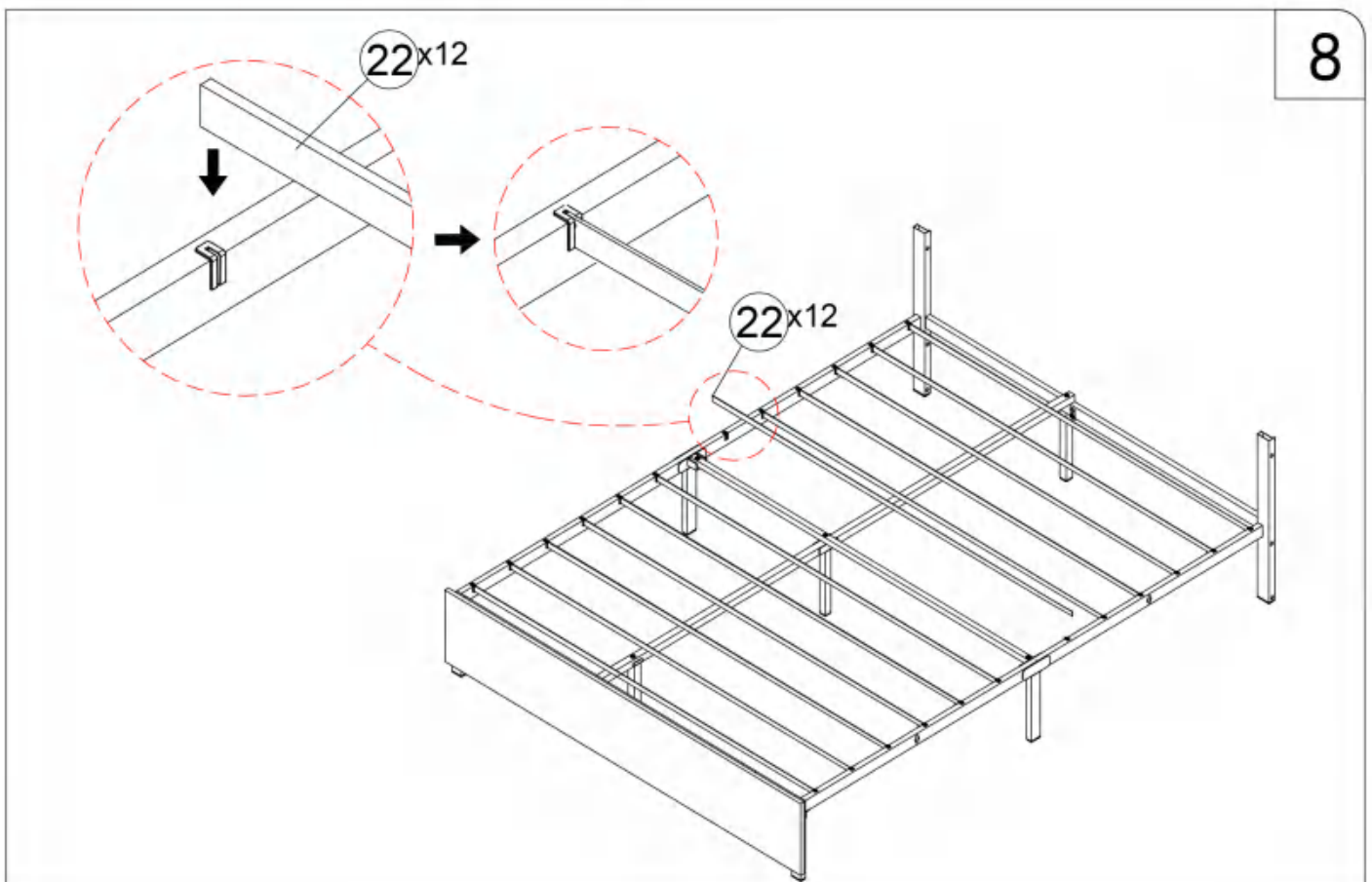
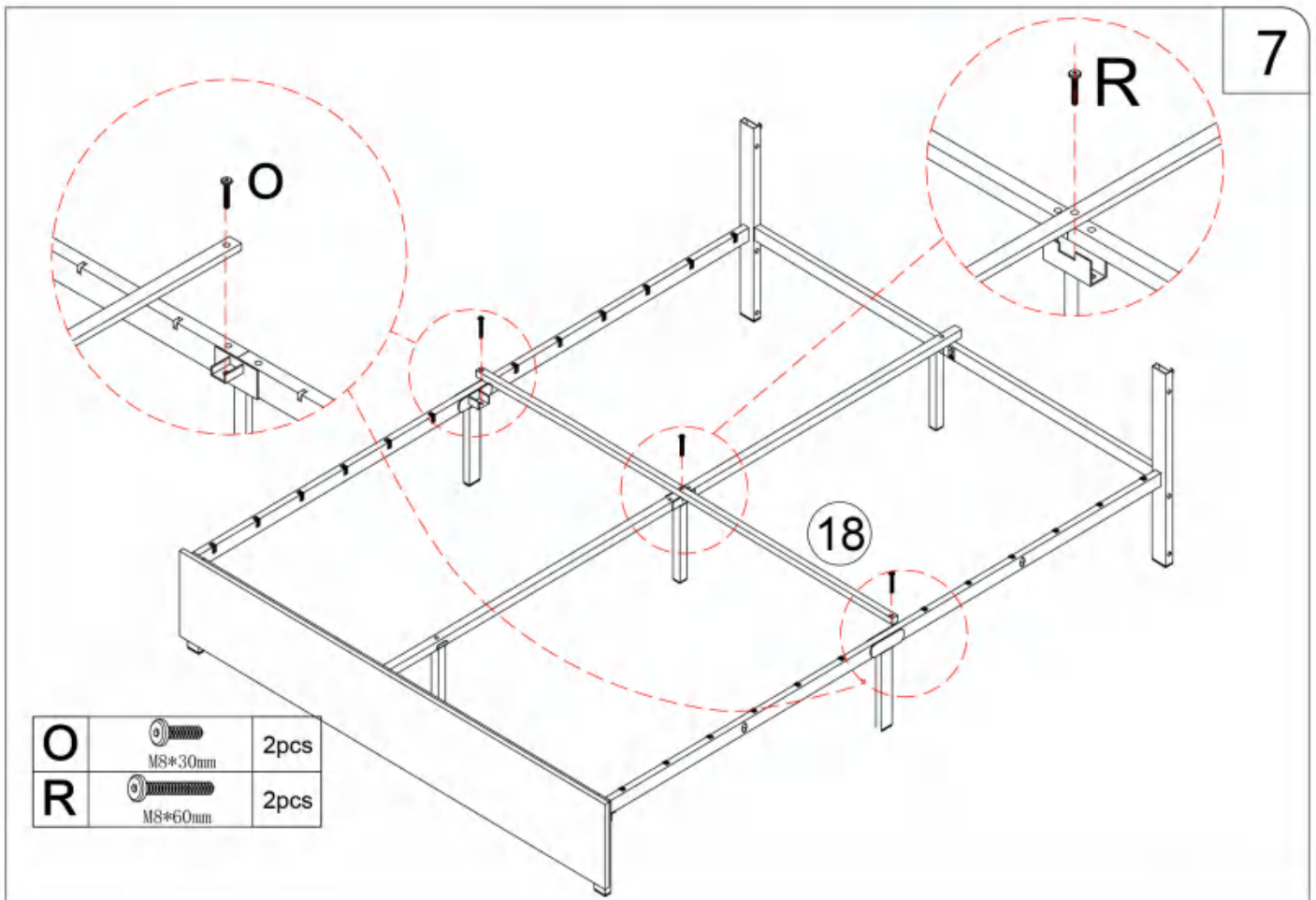
P		6pcs
	M8*40mm	

6



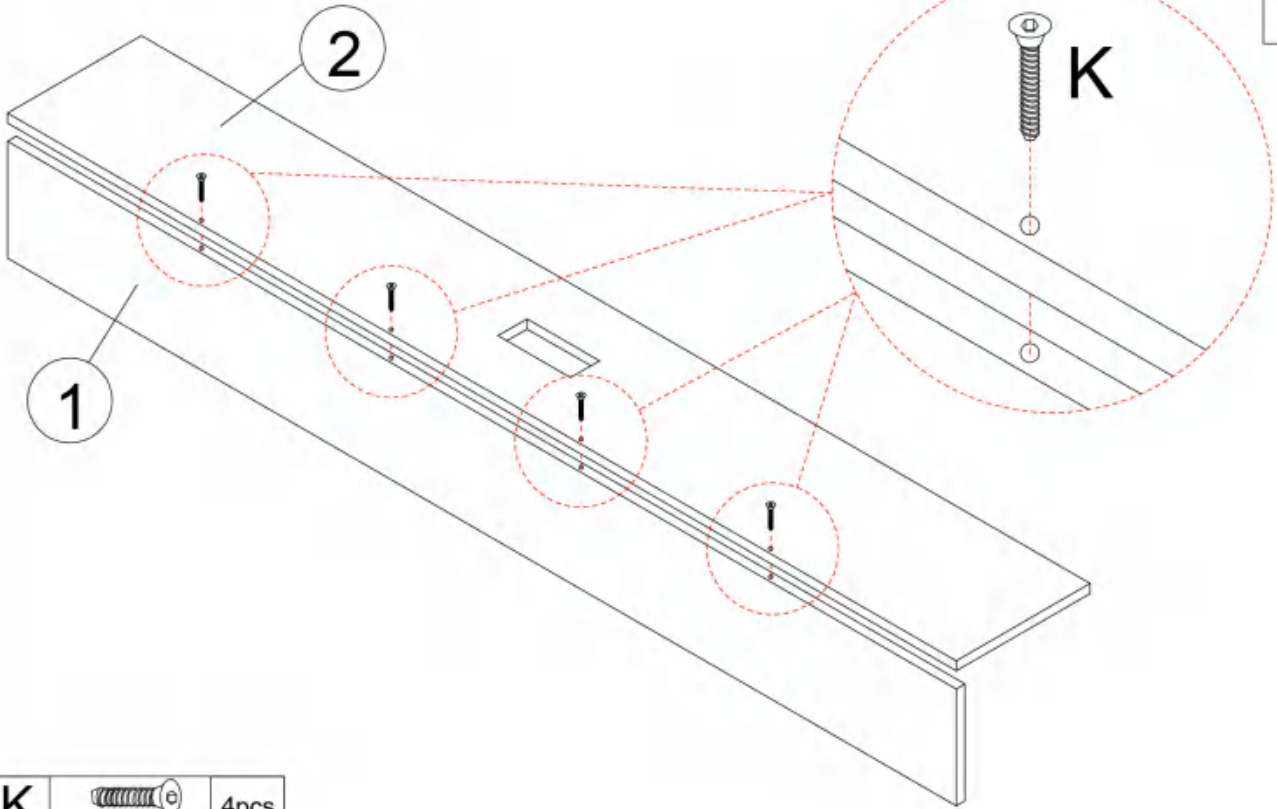
L		4pcs
	M6*15mm	
R		2pcs
	M8*60mm	

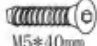
ASSEMBLY INSTRUCTIONS



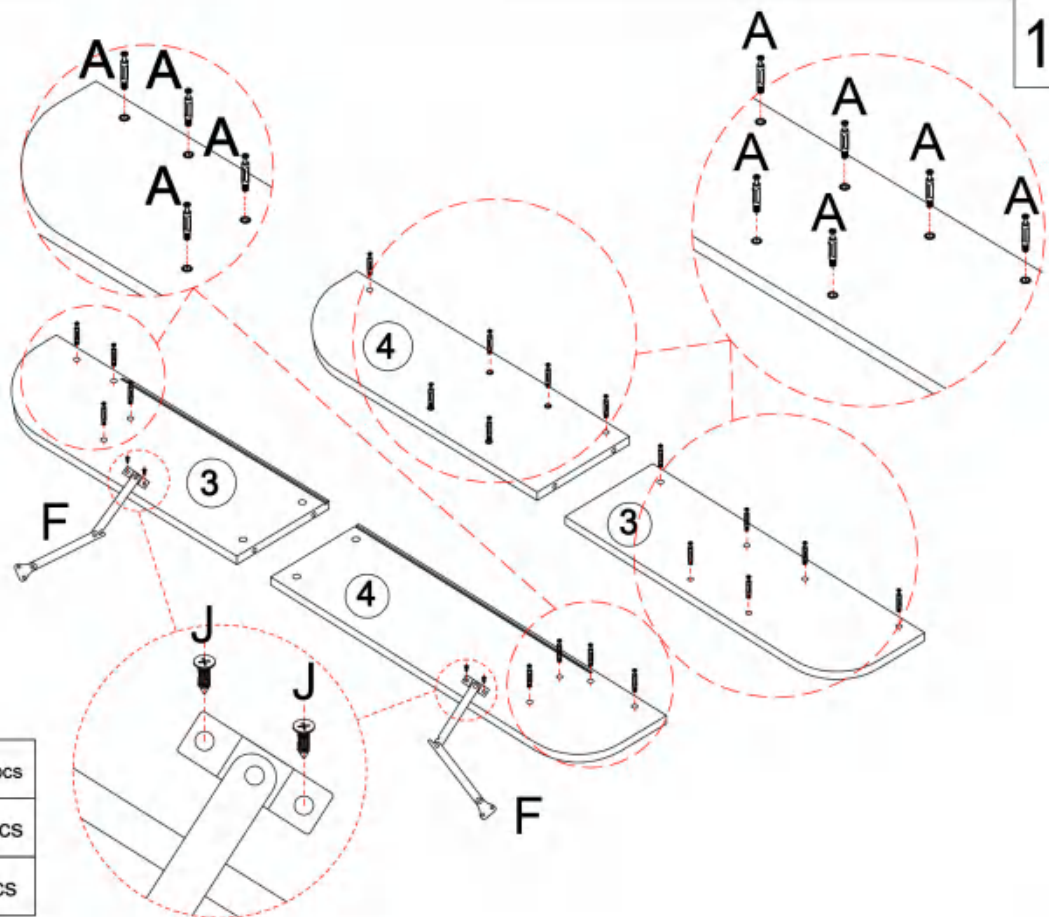
ASSEMBLY INSTRUCTIONS

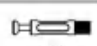

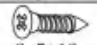
9



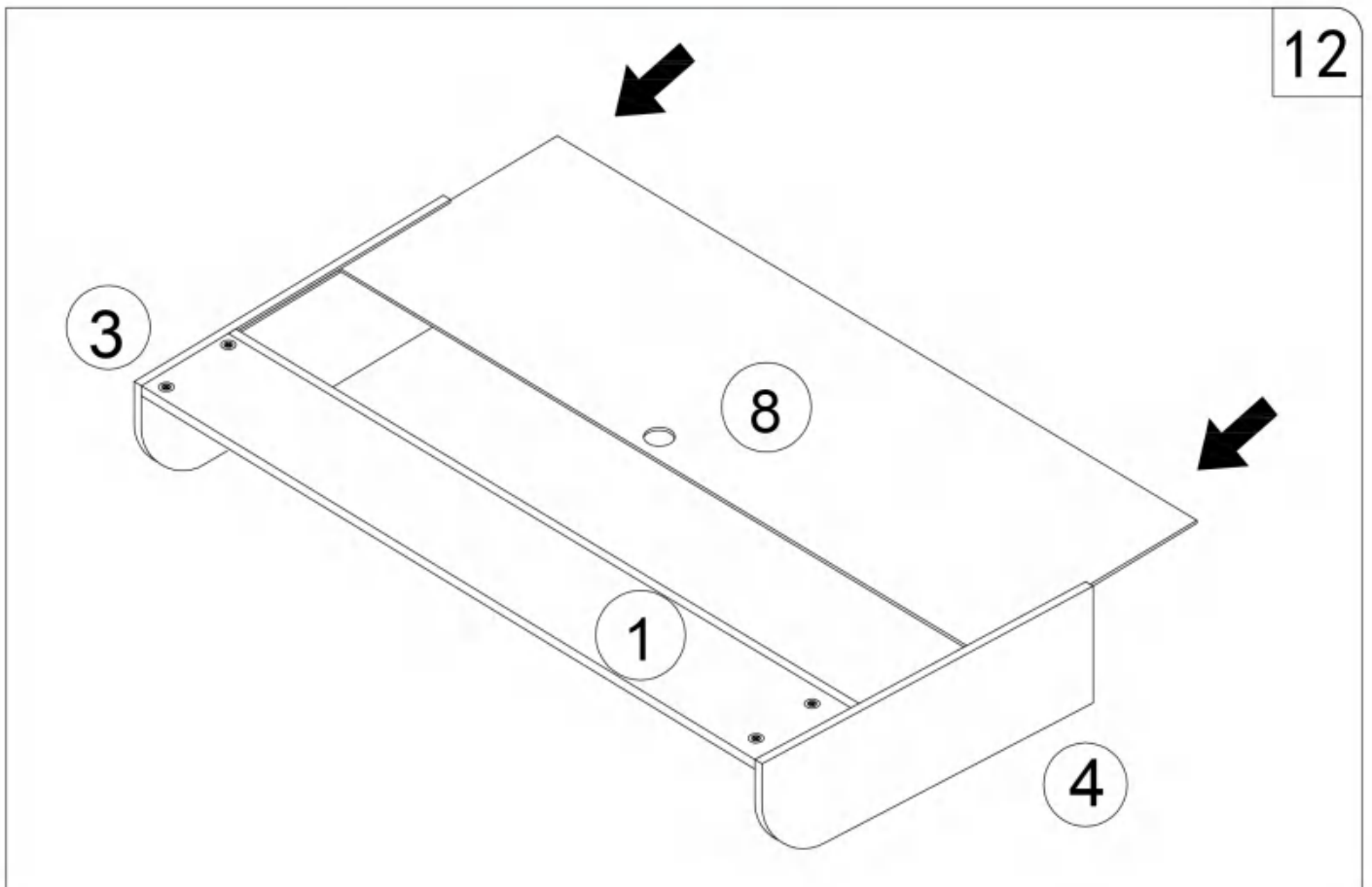
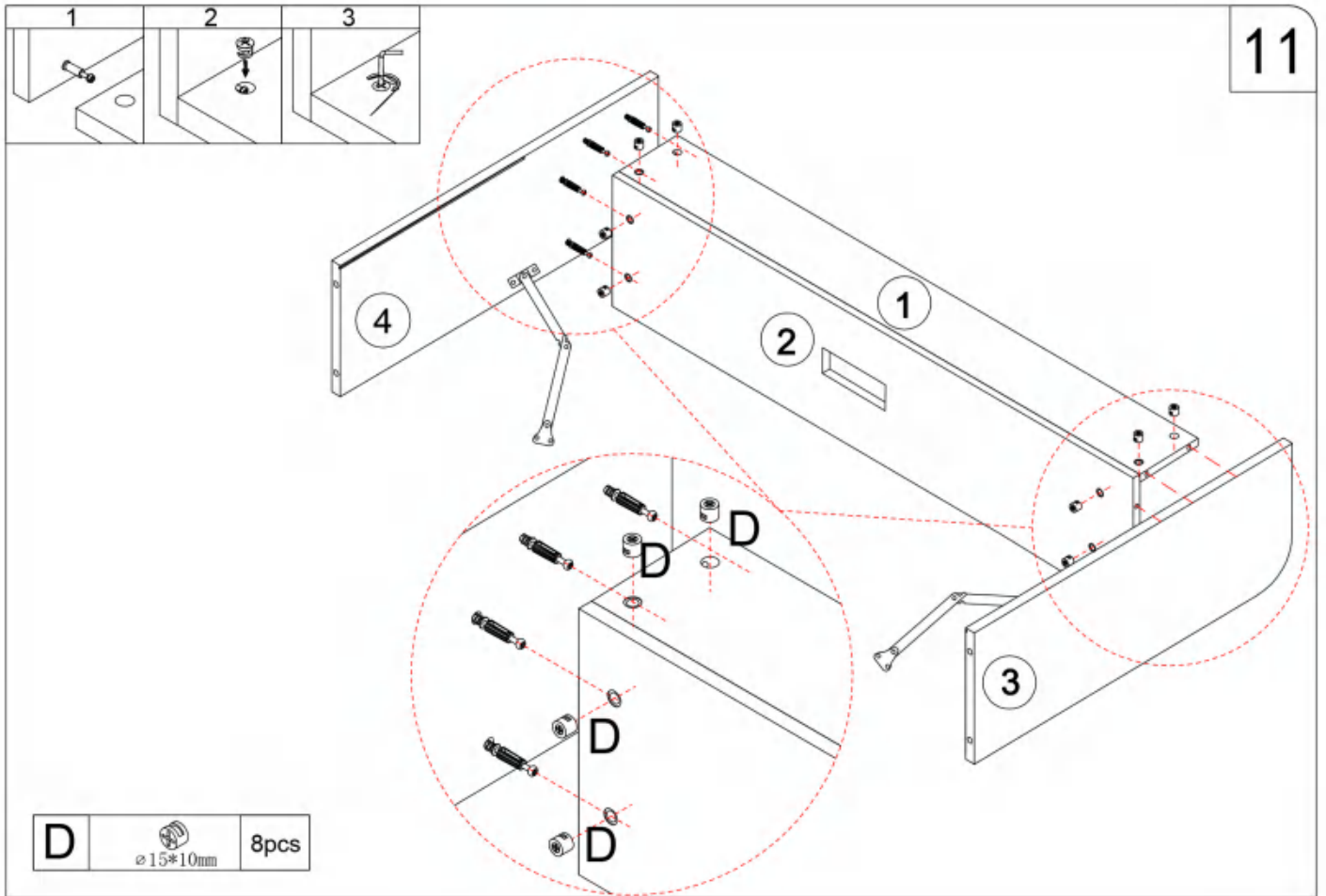
K	 M5*40mm	4pcs
----------	--	------

10



A	 ø7*40mm	20pcs
F		2pcs
J	 ø3.5*12mm	4pcs

ASSEMBLY INSTRUCTIONS



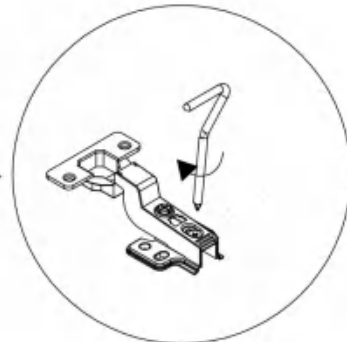
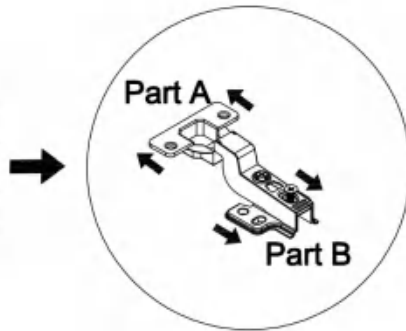
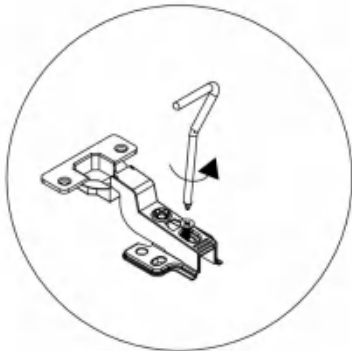
13

⚠ Make the following adjustments to component C before installing Step 15

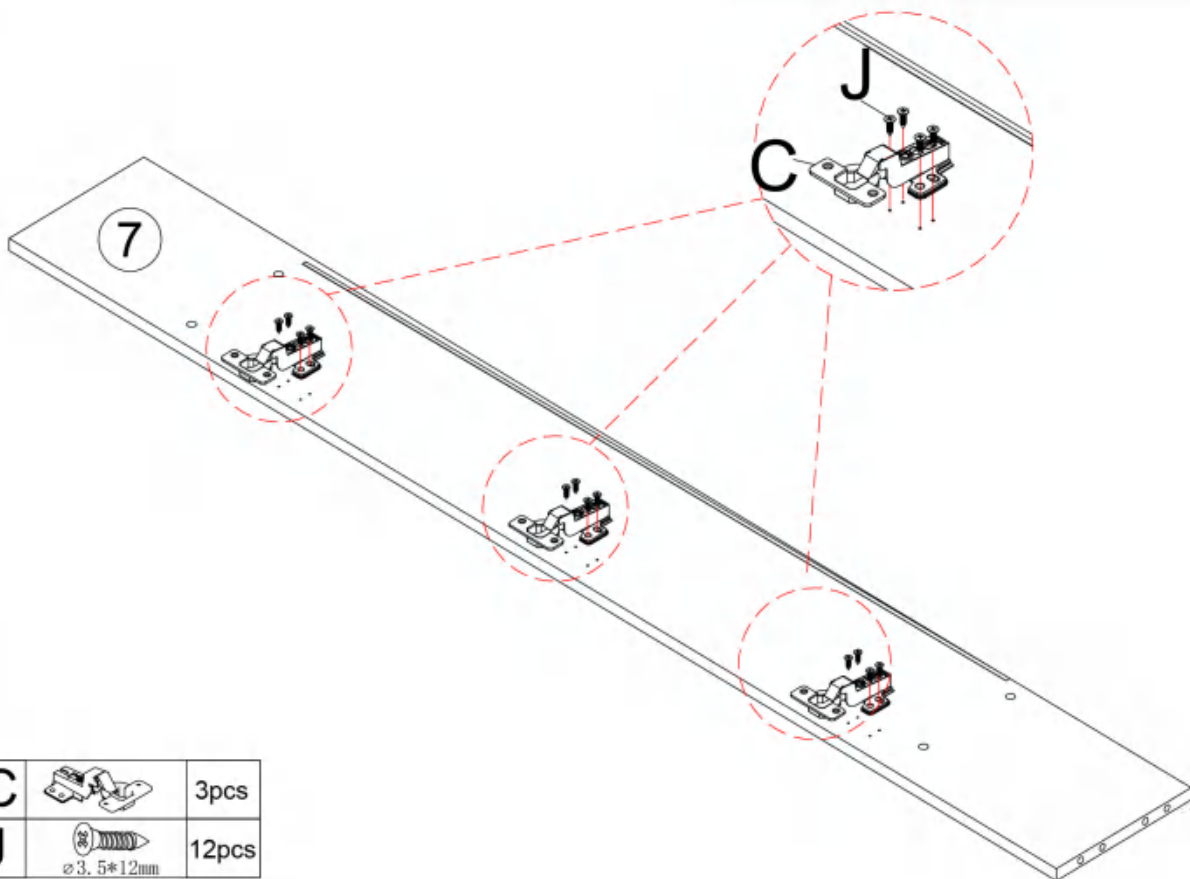
Loosen the screw first



Then push the part to the bottom end of the strip hole

Finally, tighten the screw



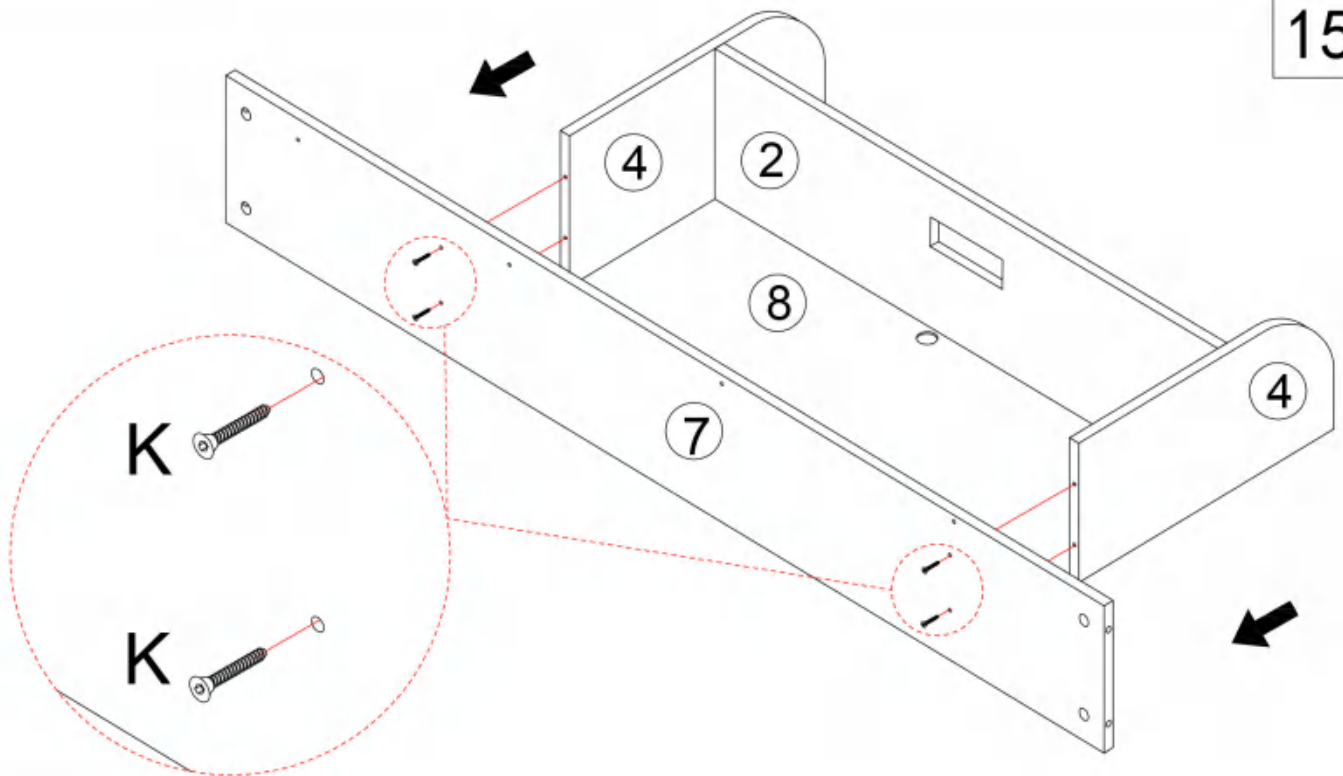
14




C		3pcs
J	 ø 3.5*12mm	12pcs

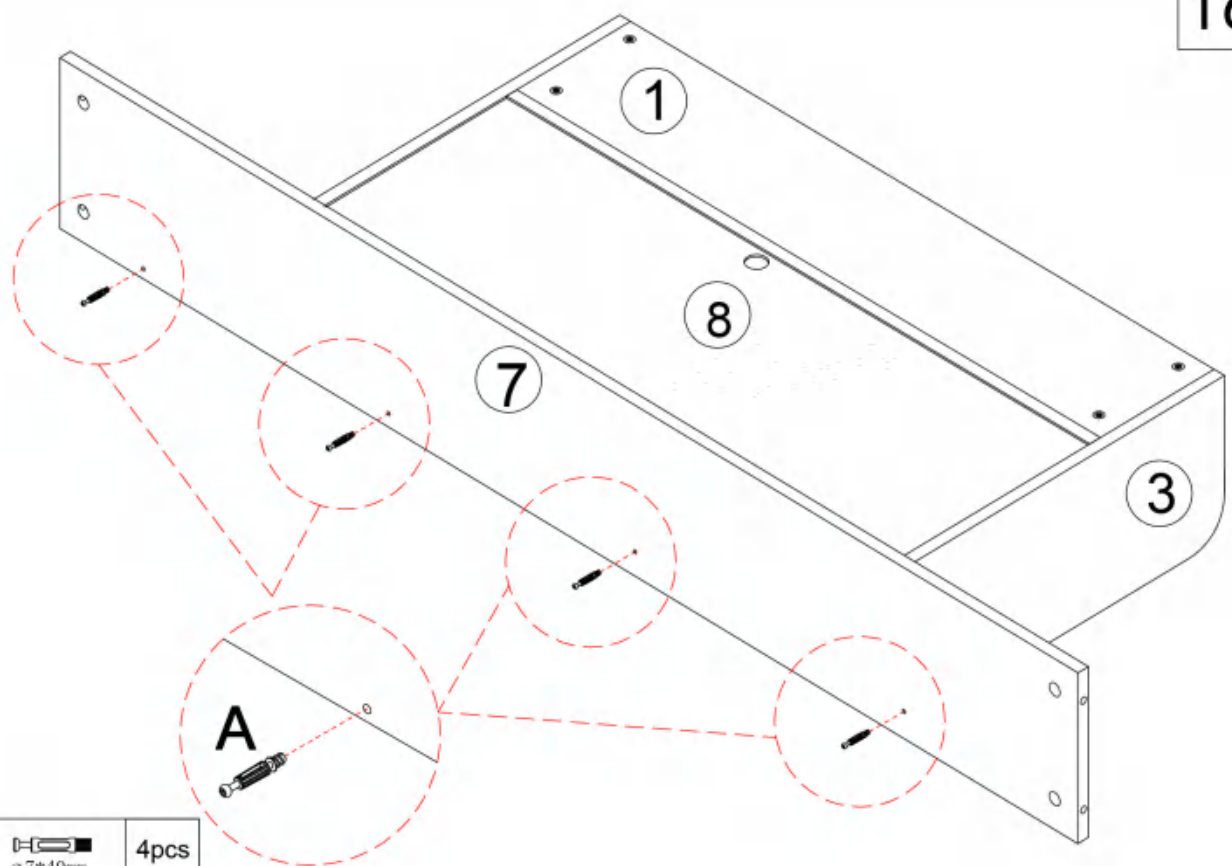
ASSEMBLY INSTRUCTIONS


15



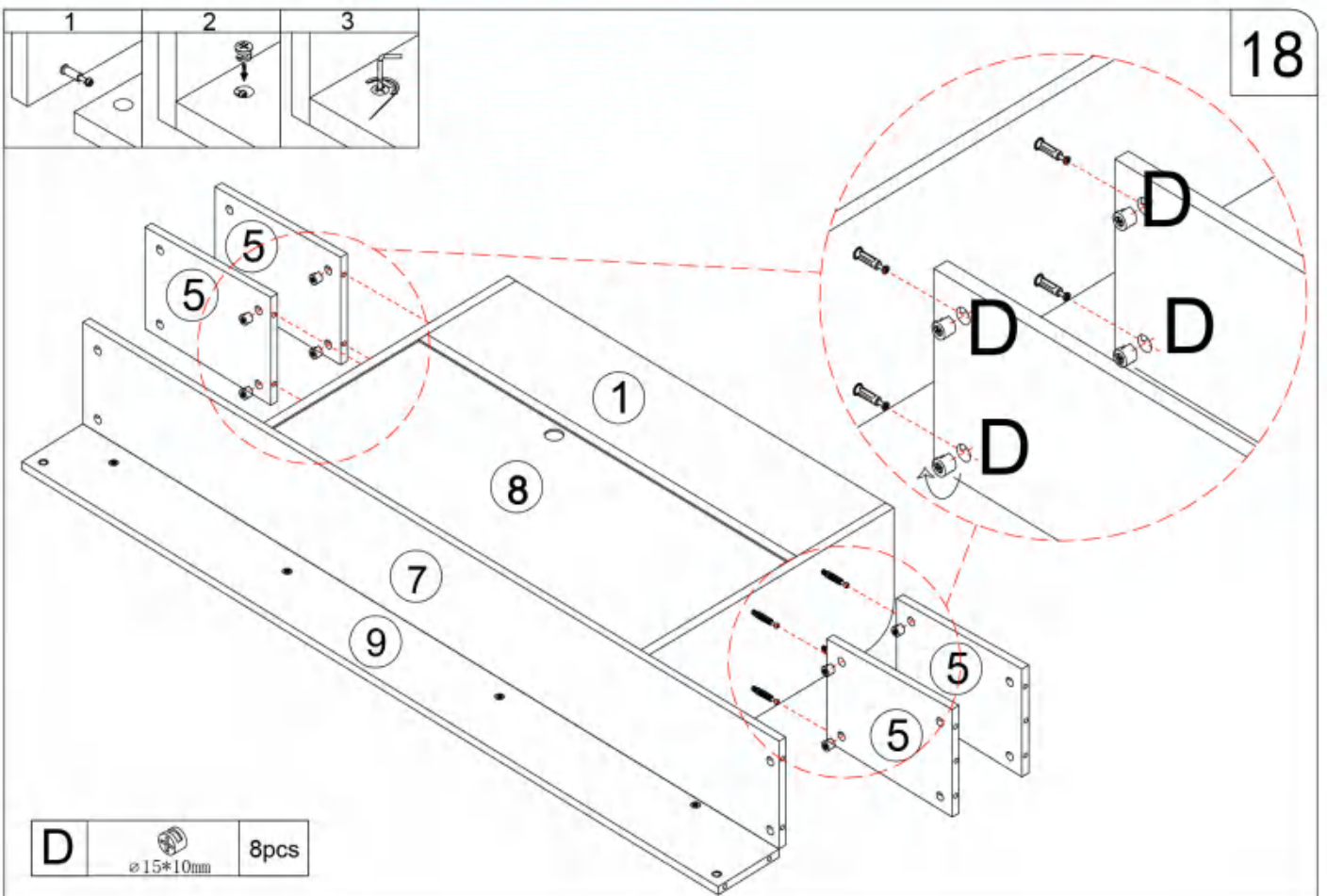
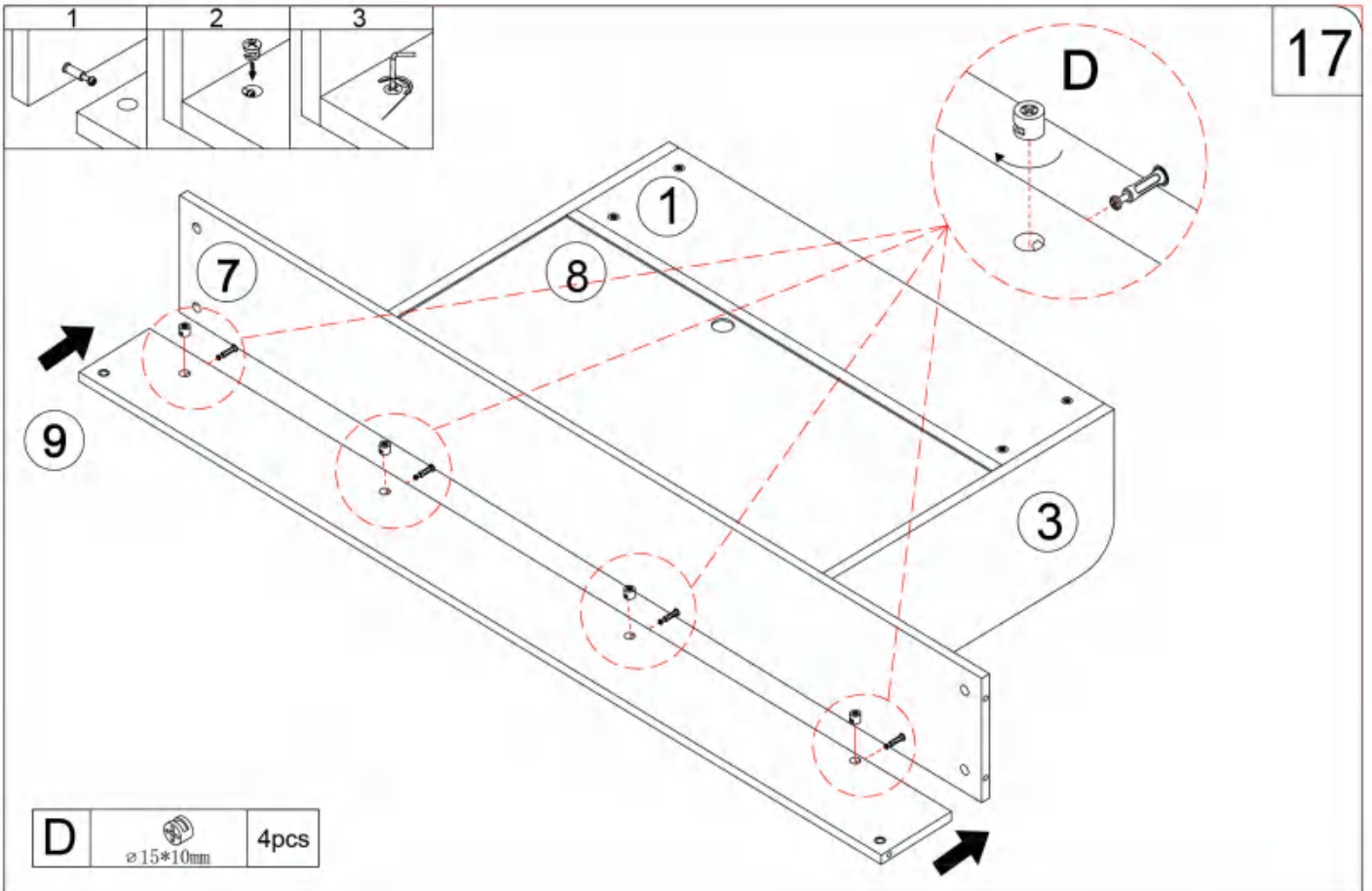
K  M5*40mm 4pcs

16

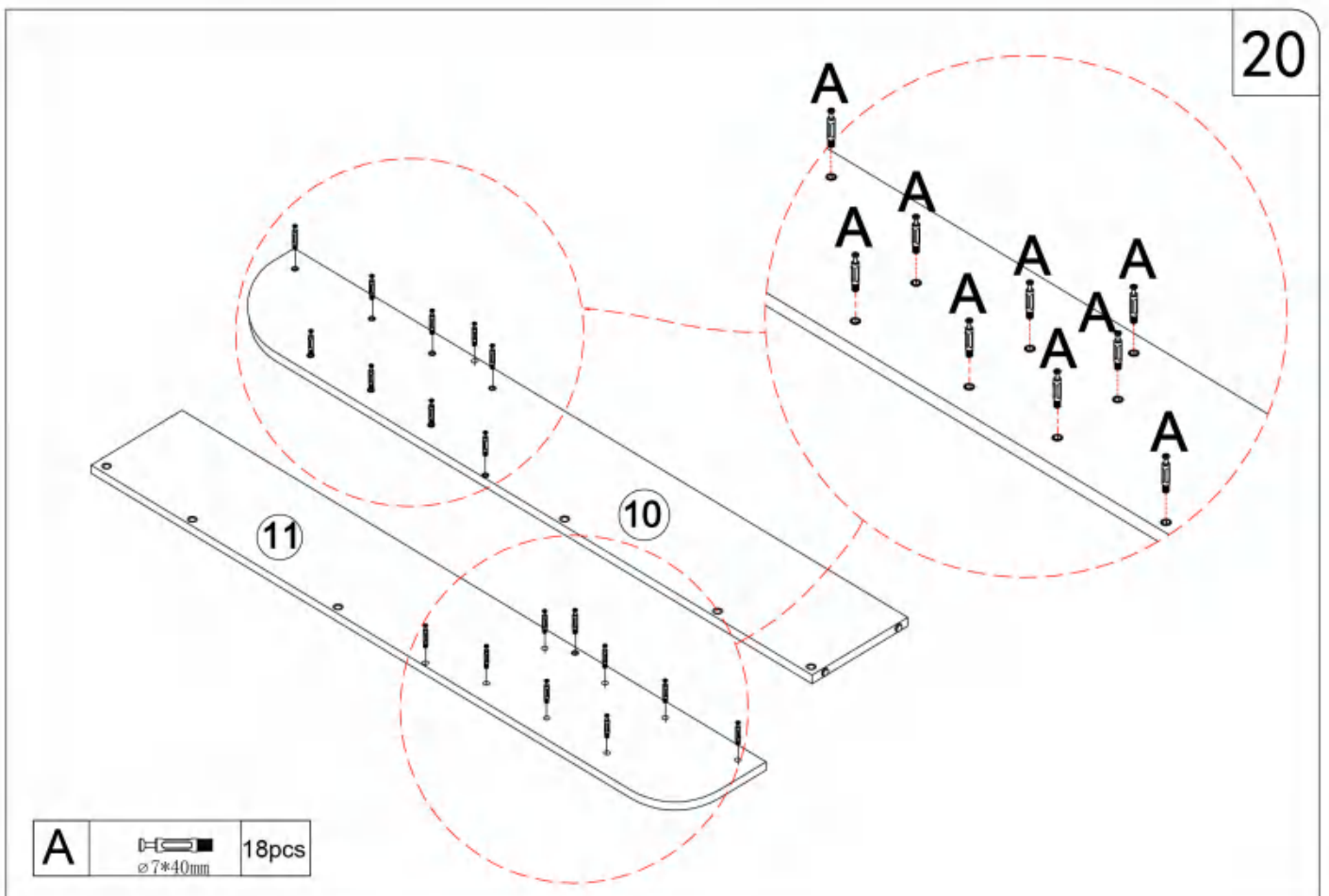
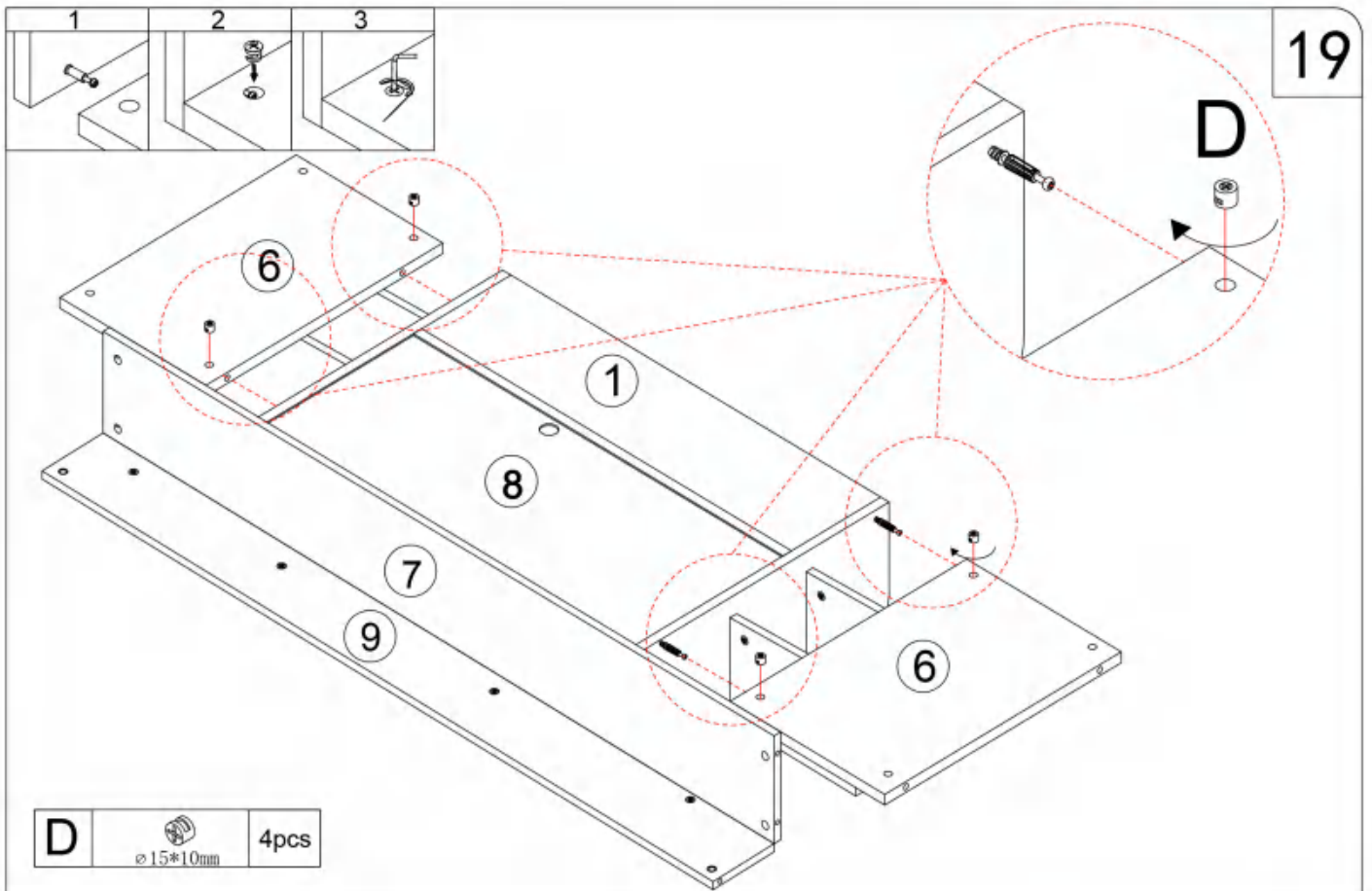


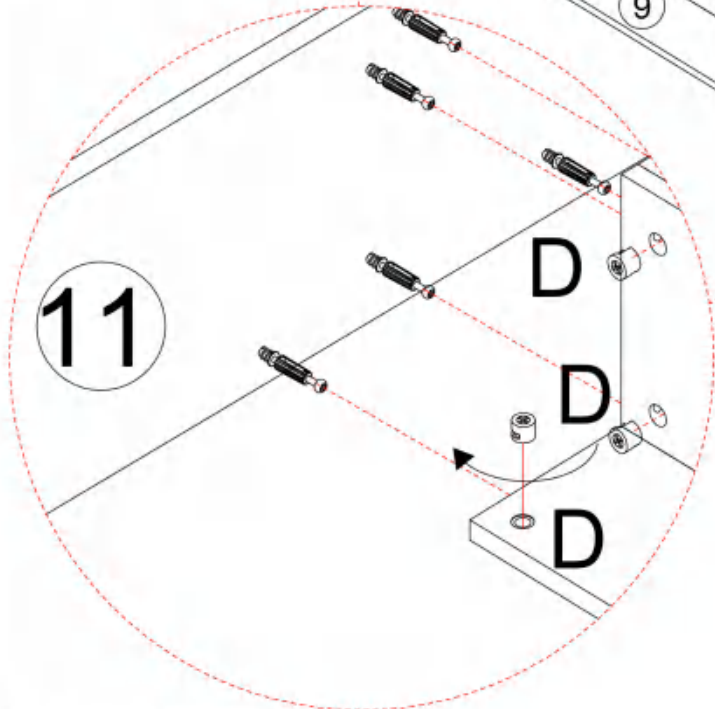
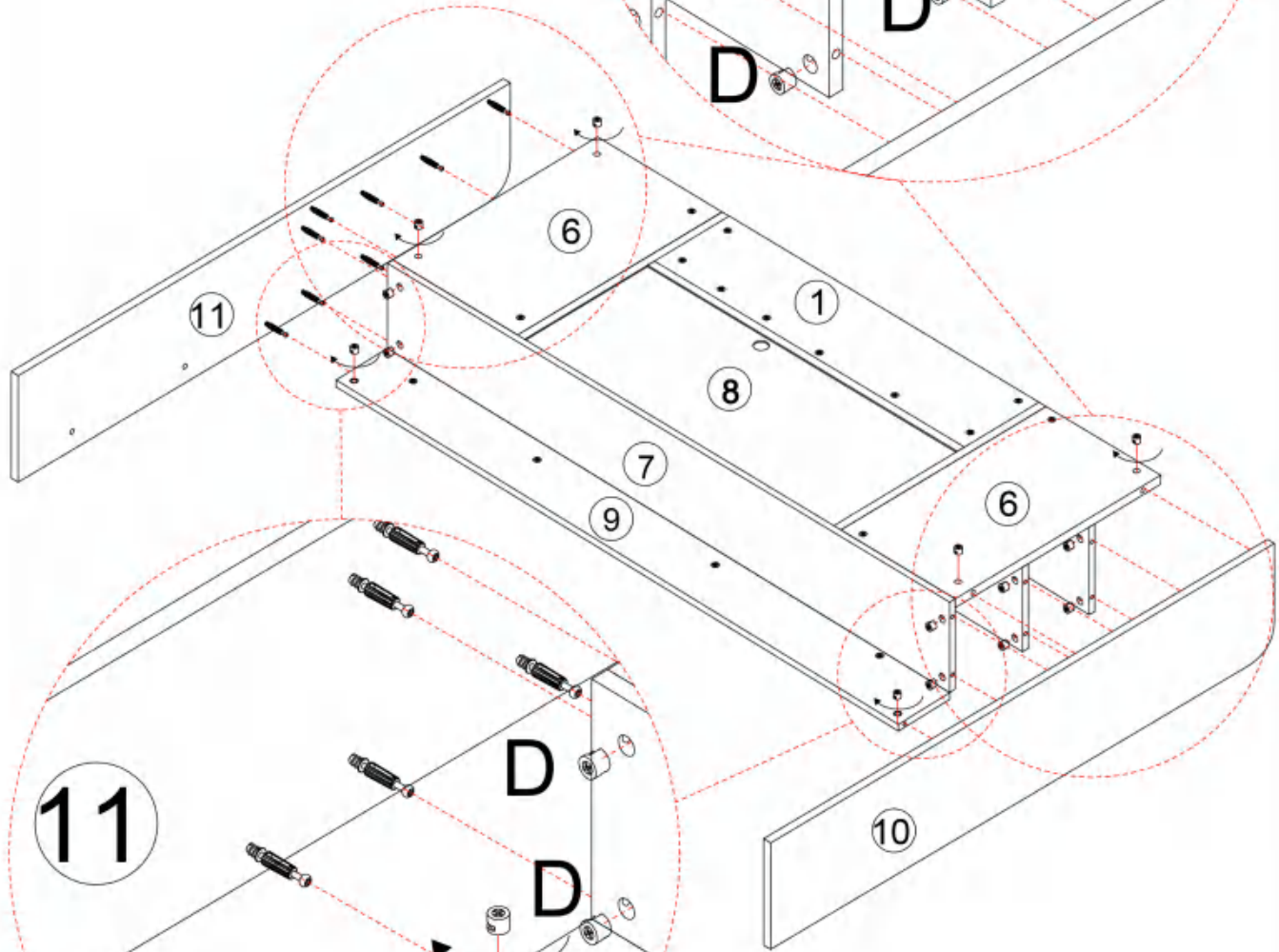
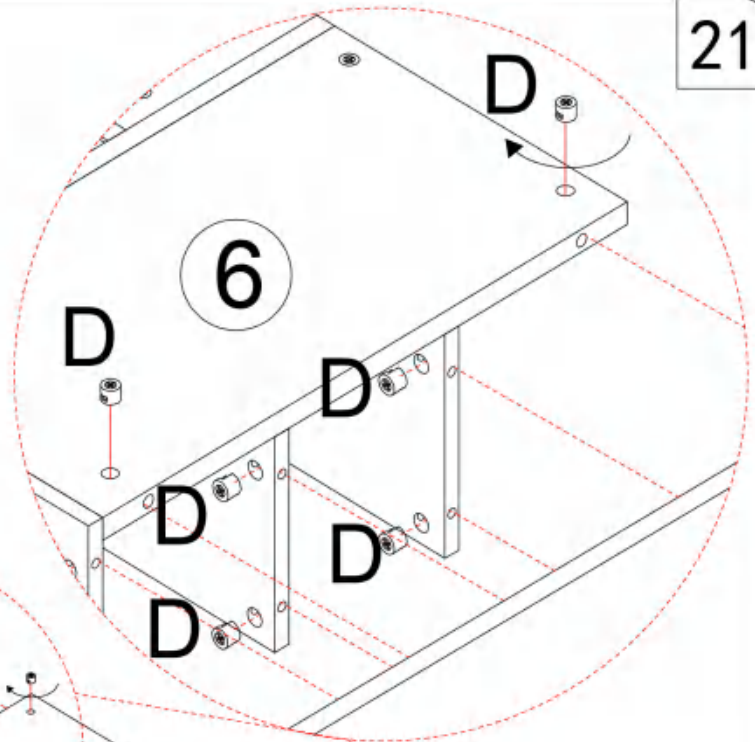
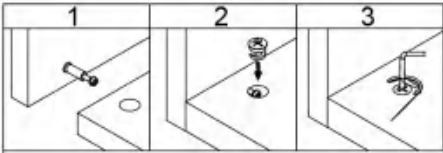
A  7*40mm 4pcs

ASSEMBLY INSTRUCTIONS



ASSEMBLY INSTRUCTIONS



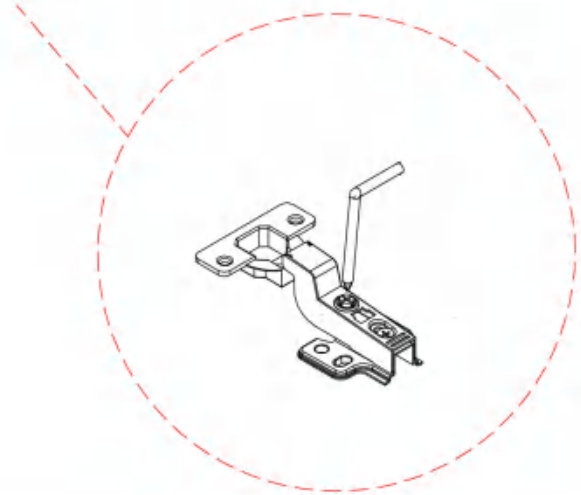


D		18pcs
<small>ø15*10mm</small>		

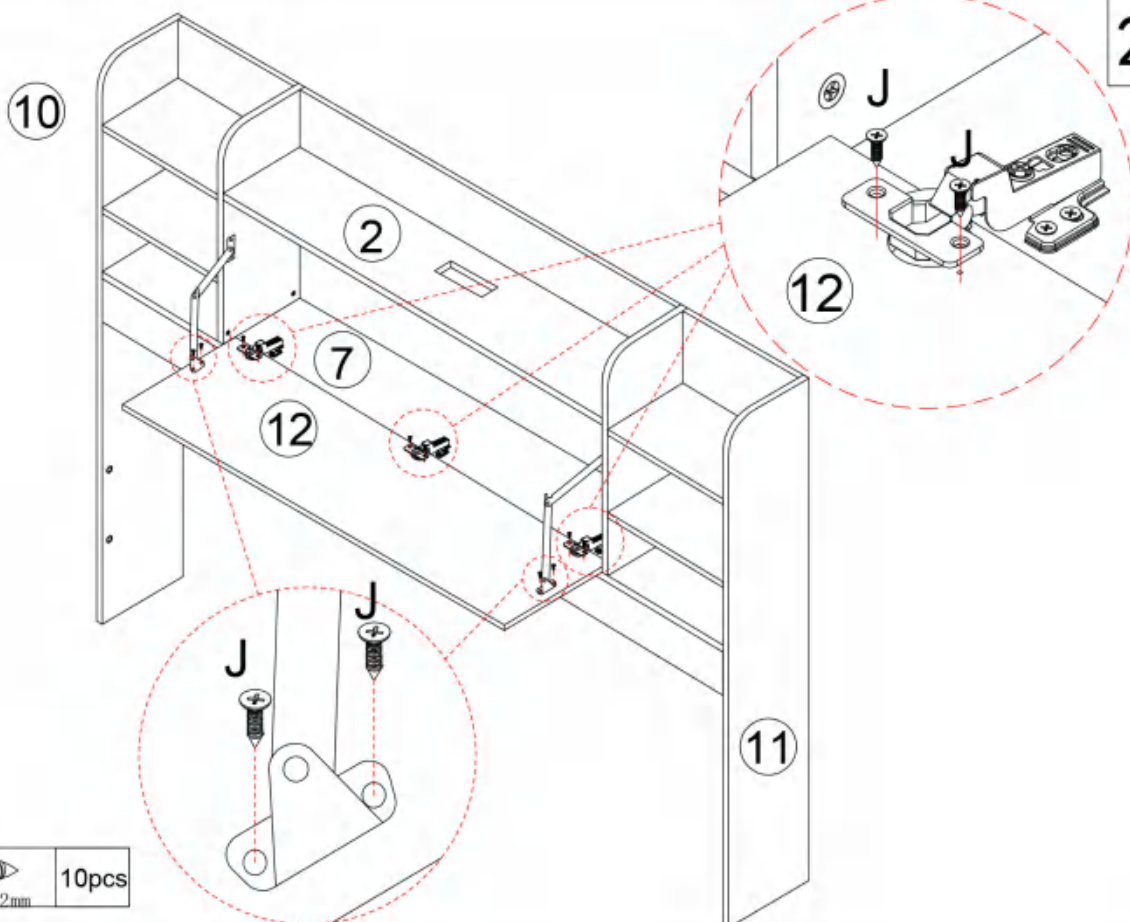
22

Kind reminder in step 24

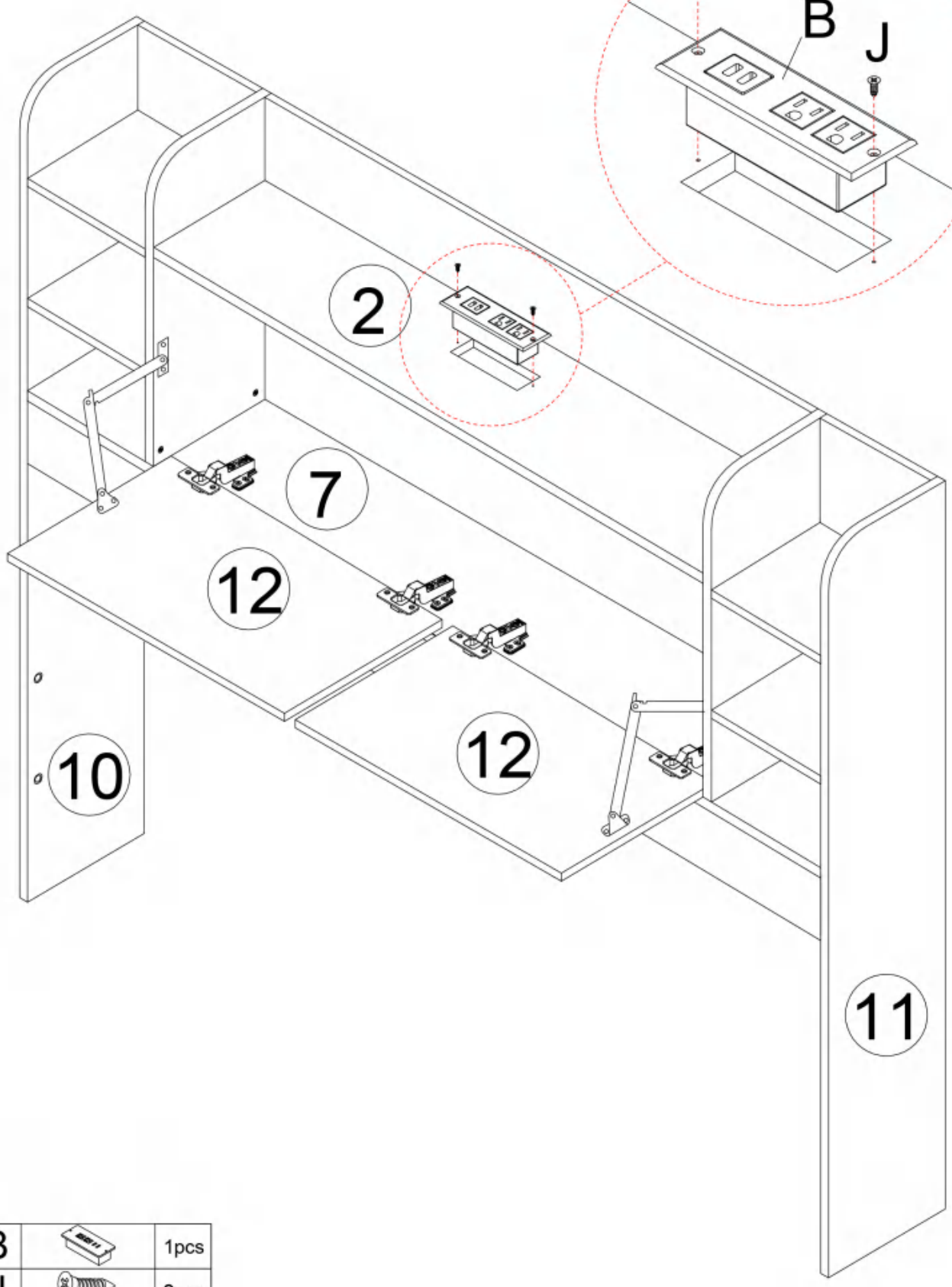
Tighten this screw to ensure that part 12 can be pushed into the right position smoothly.
Adjust the tightness of this screw (tighten or loosen) in case part 12 is not align with the top of part 2 when it's closed.





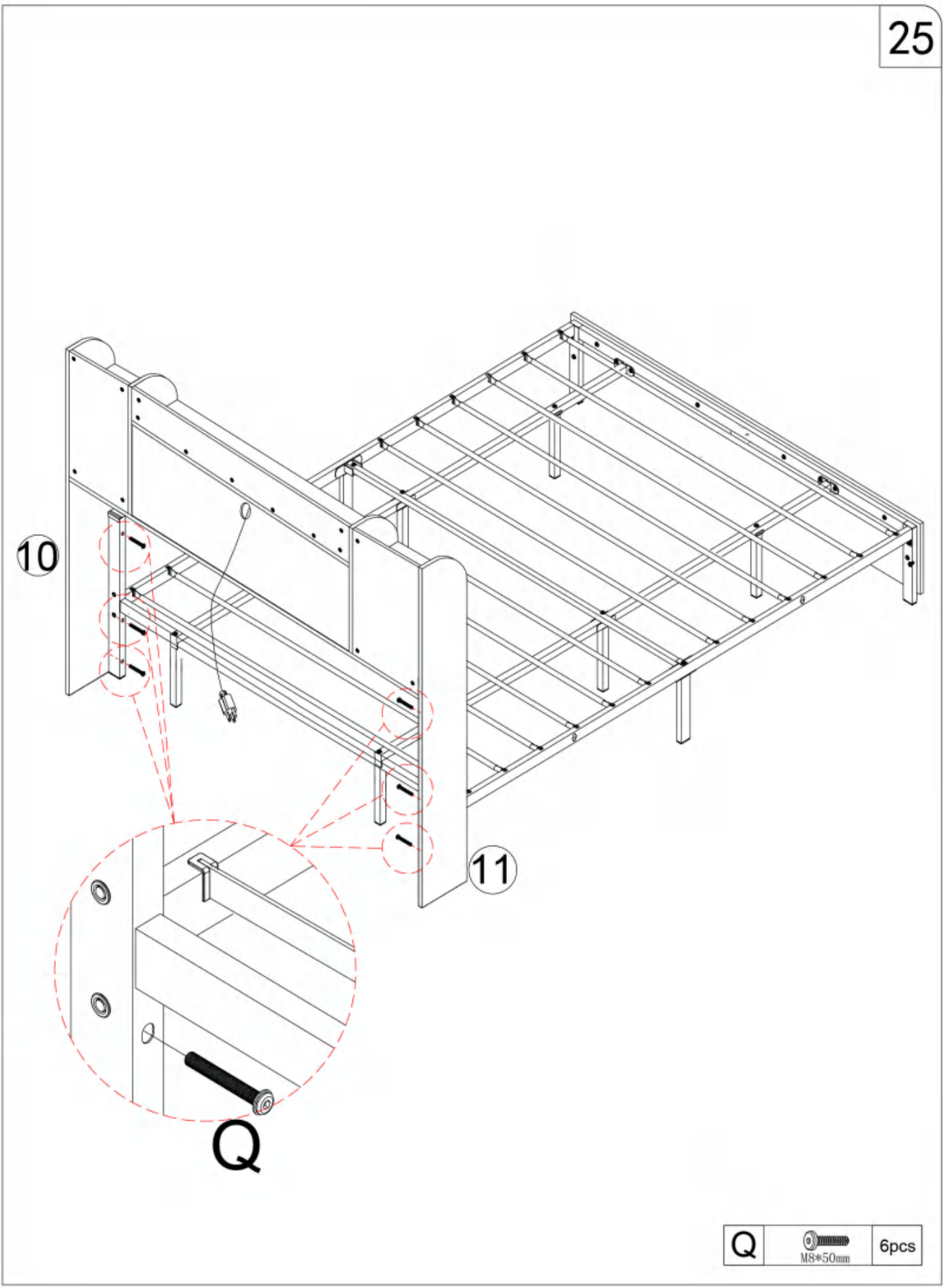
23



J		10pcs
	ø3.5*12mm	



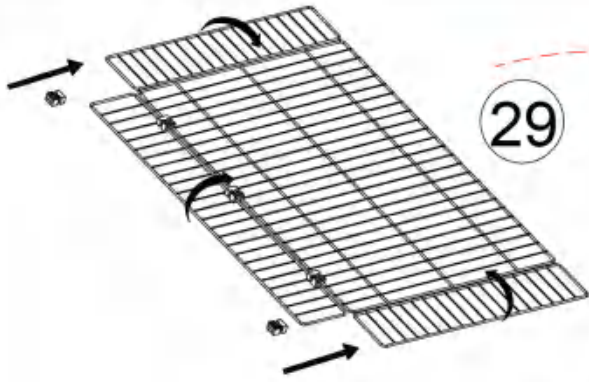
B		1pcs
J	 <small>∅ 3.5*12mm</small>	2pcs



Q	 M8*50mm	6pcs
---	--	------

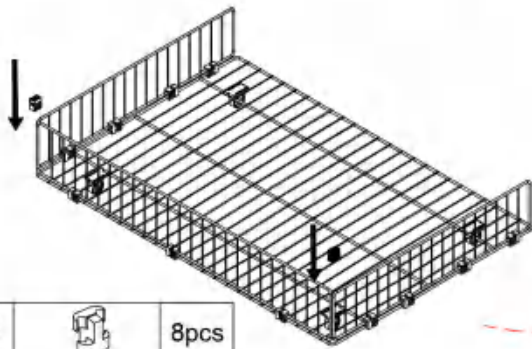
ASSEMBLY INSTRUCTIONS

26

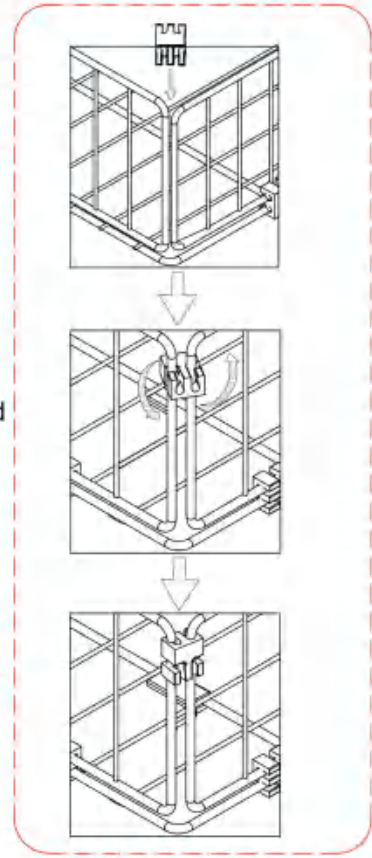


29

The plastic buckle is placed between the two wires as shown.

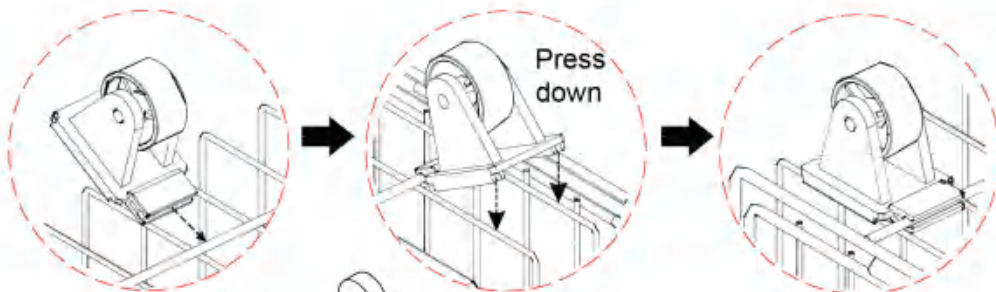


The plastic buckle rotates into wires

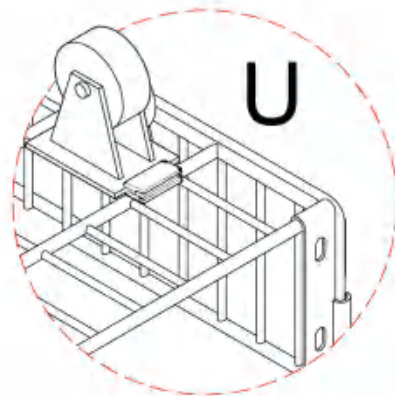
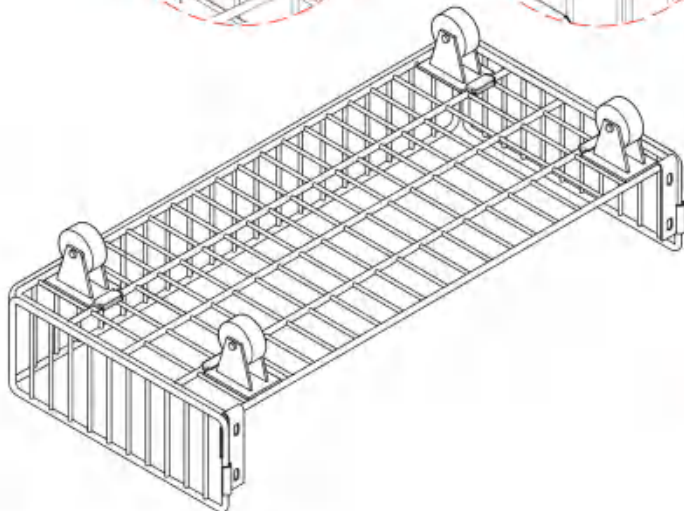


S  8pcs

27



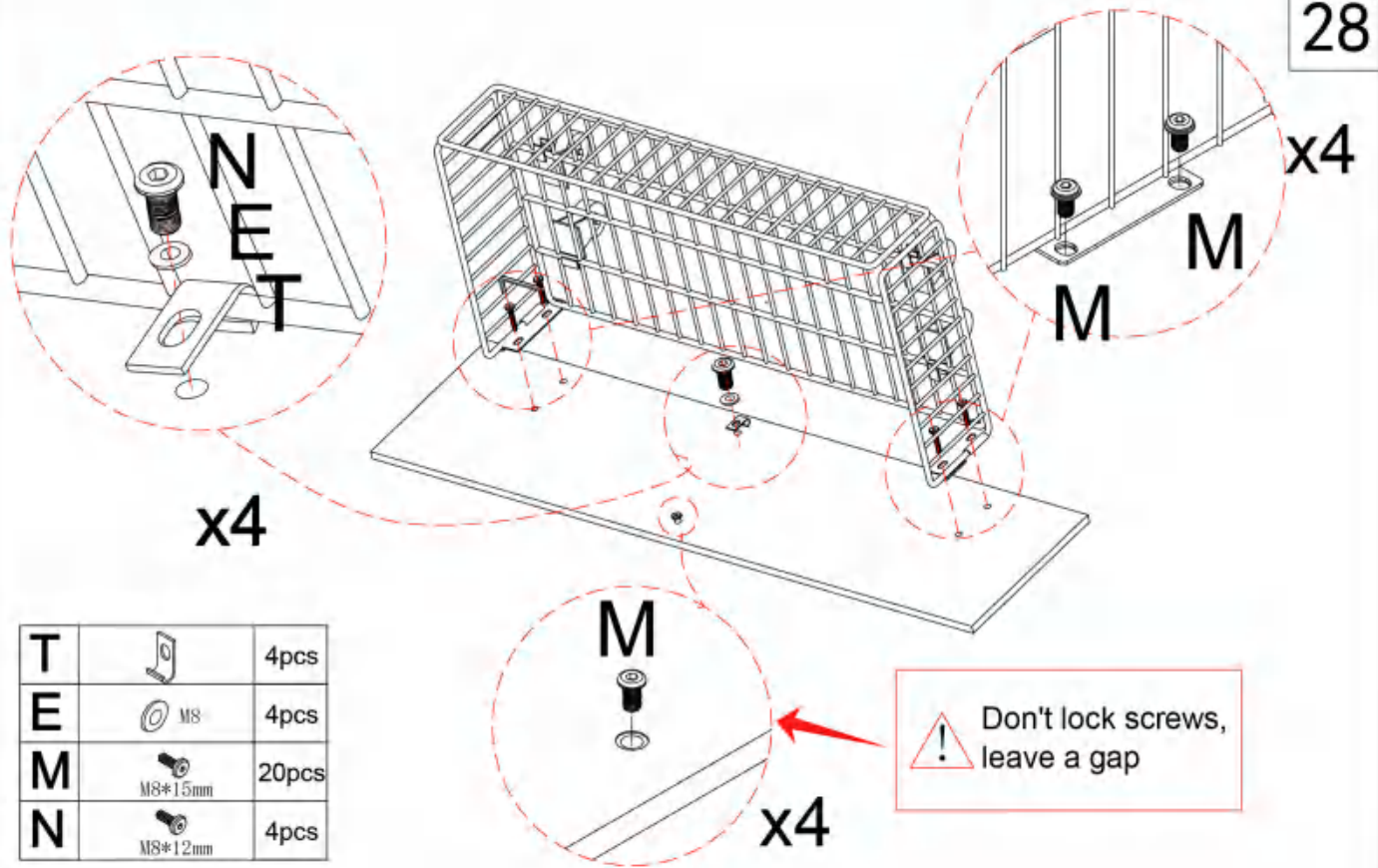
Press down



U

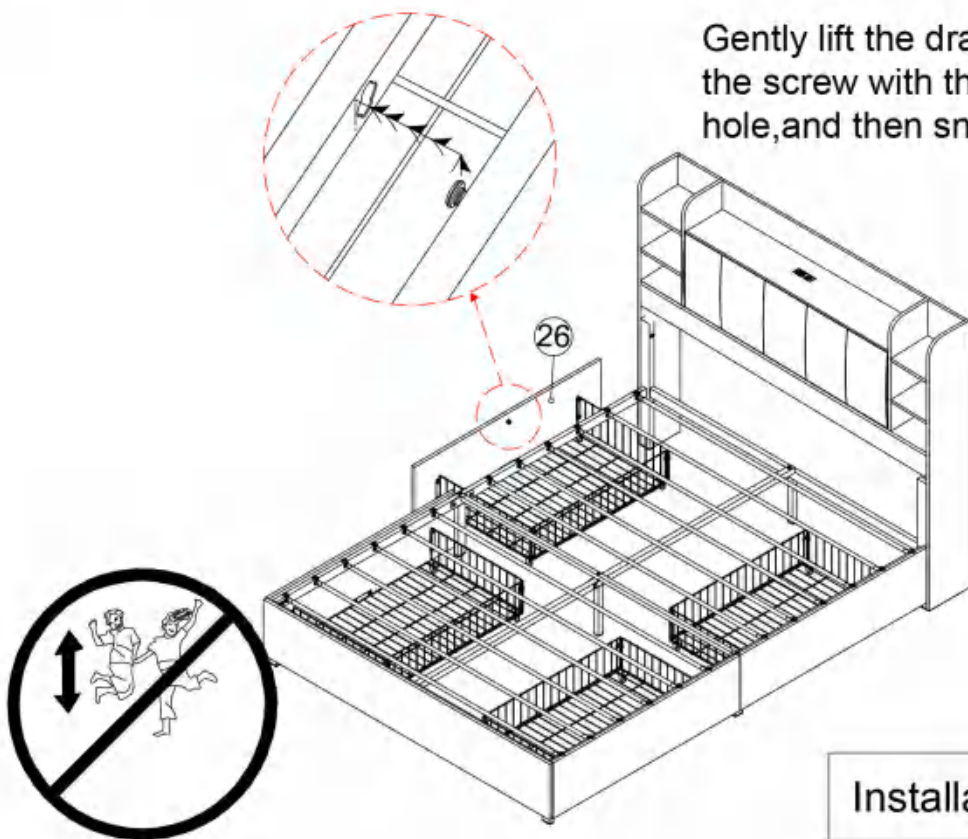
U  16pcs

28



29

Gently lift the drawer, align the screw with the gourd-shaped hole, and then snap it in



Installation Complete