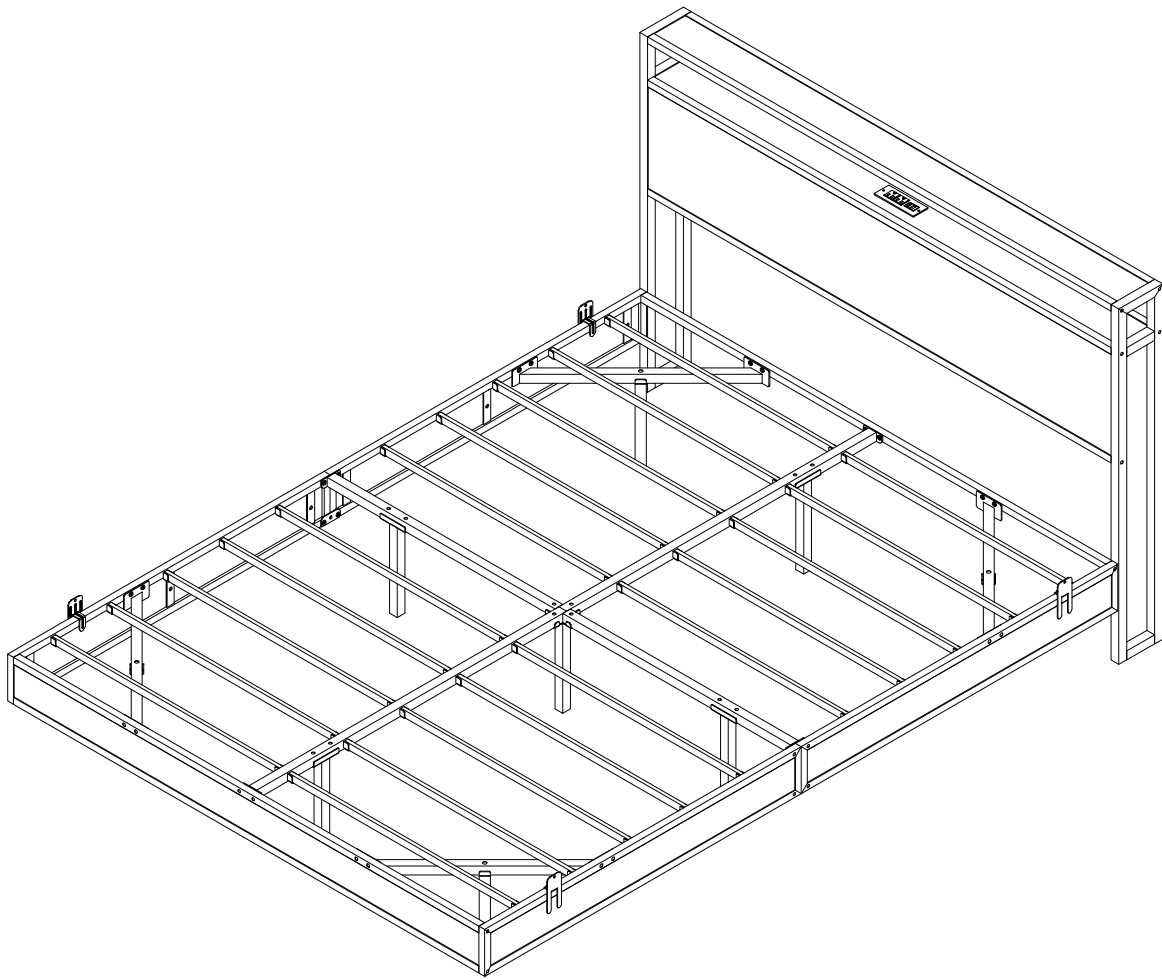


ASSEMBLY INSTRUCTIONS

Metal Storage Bed Frame Assembly Instructions

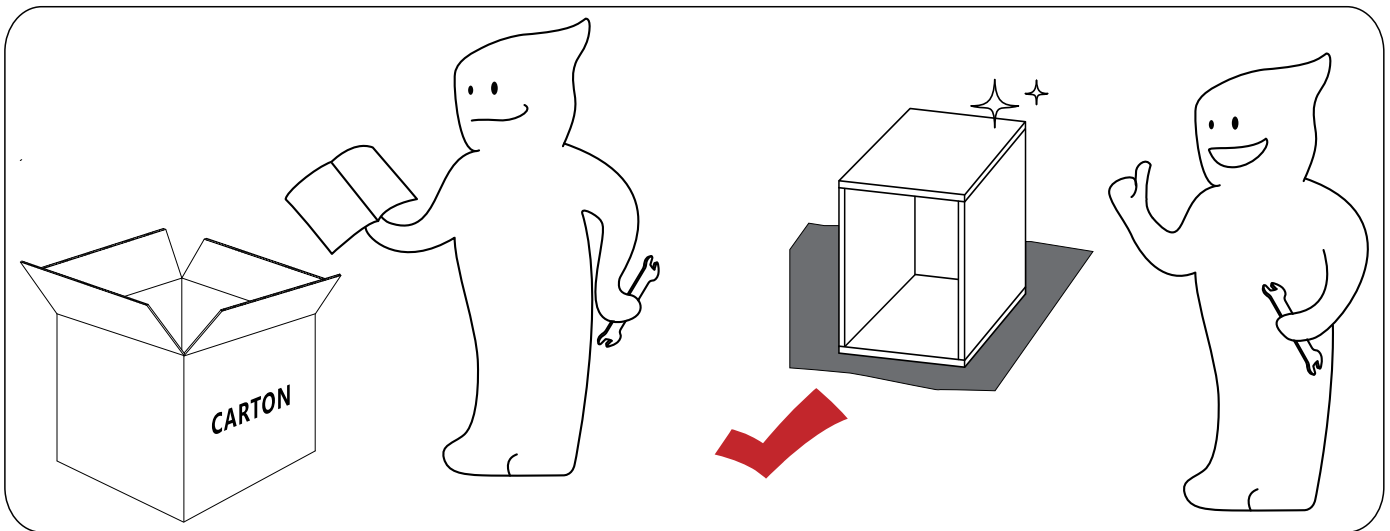
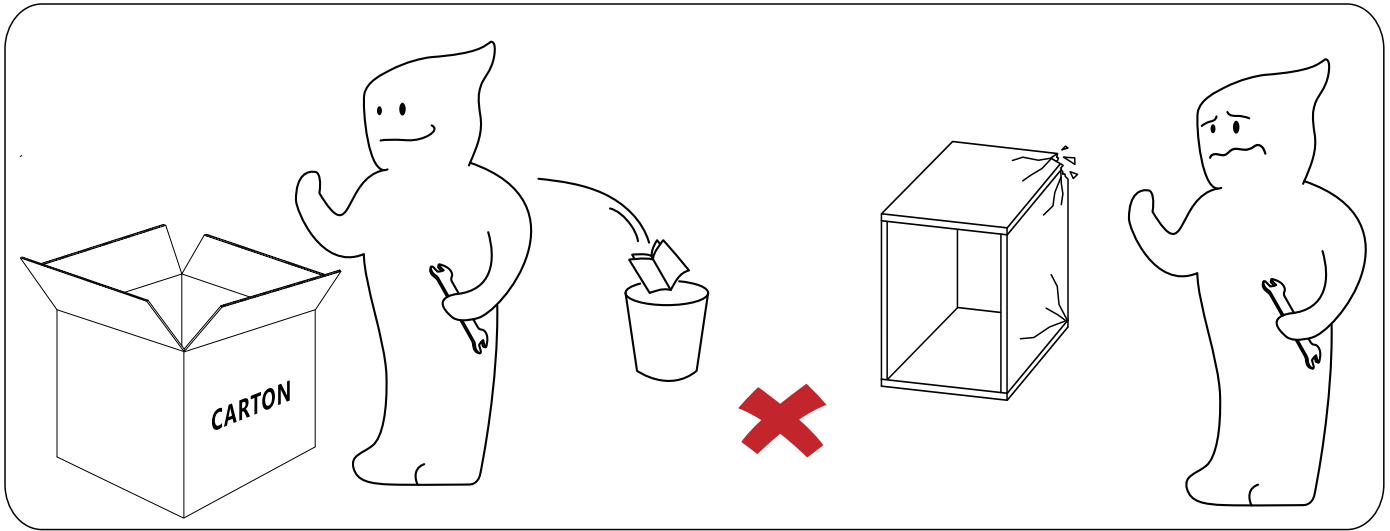


Dear Customers,

Thank you for purchasing our product. Please read this instruction manual carefully after receiving this product. It will help you assemble this product quickly, safely and correctly. You can keep this manual for future reference.
MADE IN CHINA

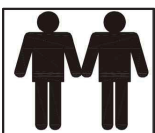
! IMPORTANT

Please follow the instruction manuals and use a pad to protect the product during your assembly.



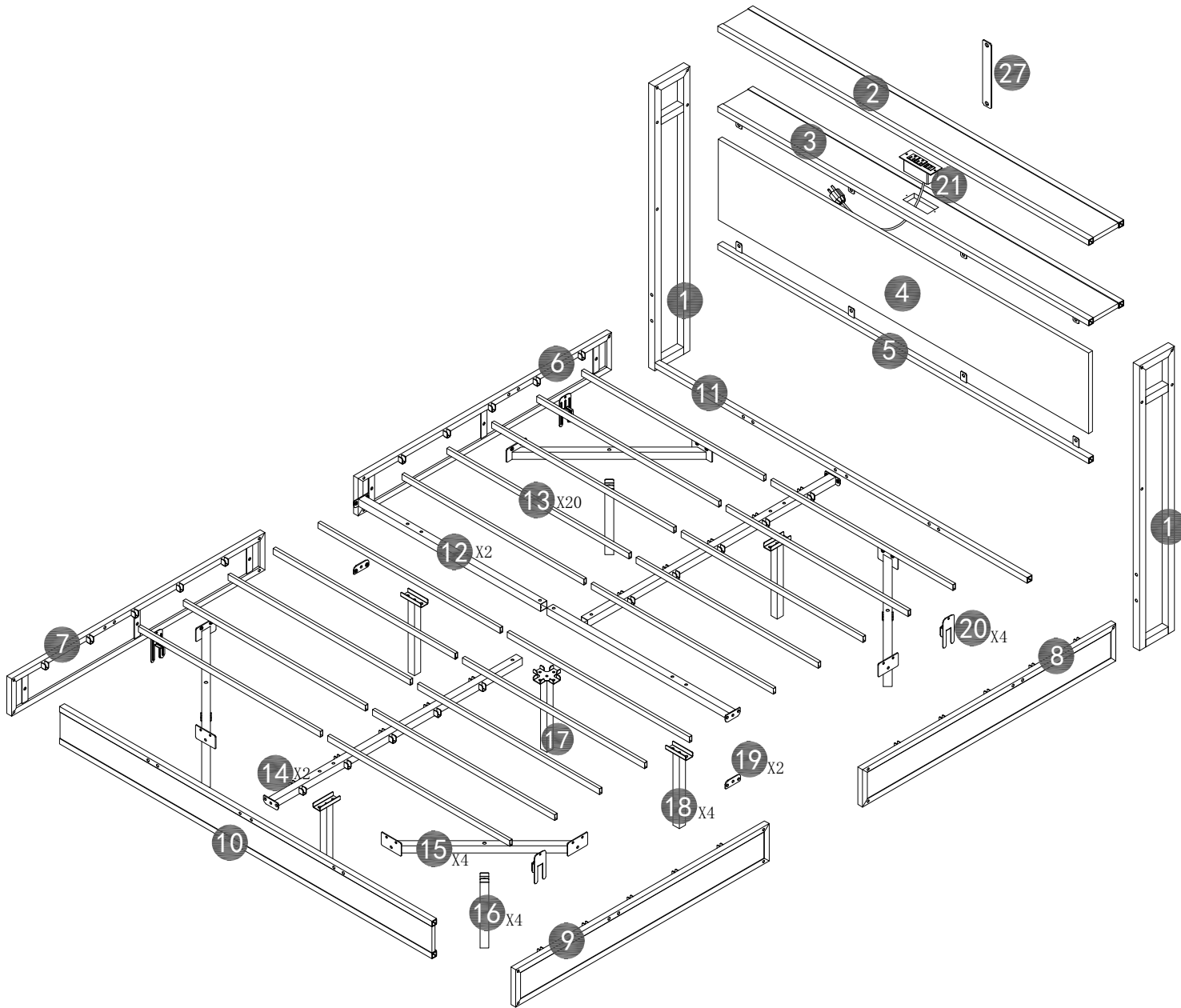
Note:

1. Should be assembled on flat ground to keep balance.
2. Before completing the installation, do not tighten the screws.



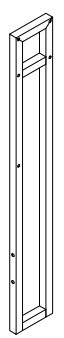
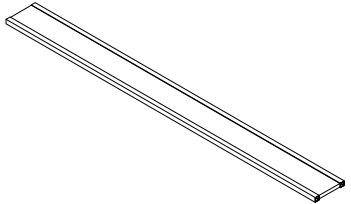
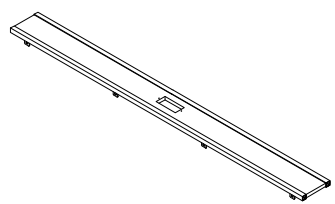
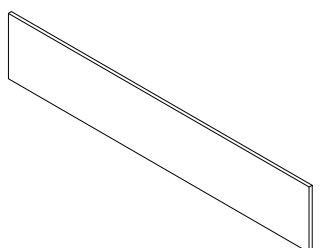
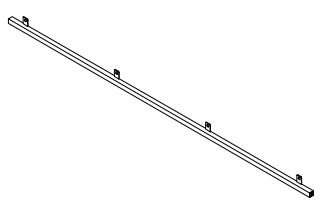
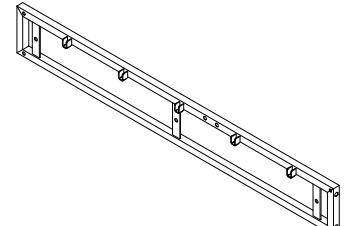
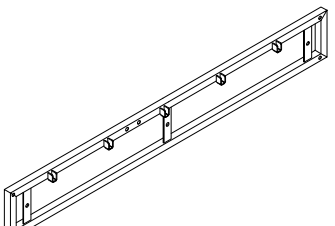
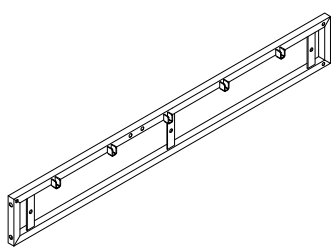
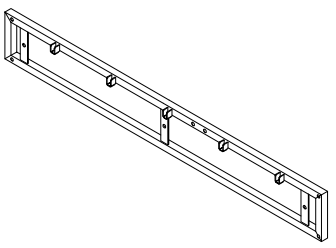
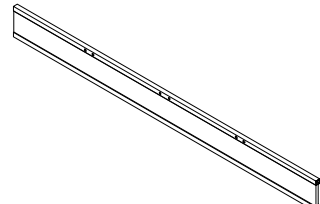
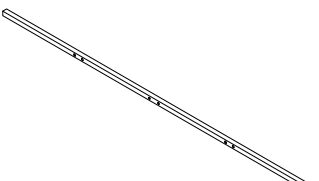
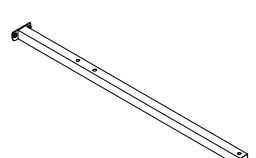
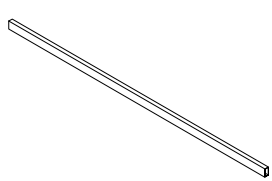
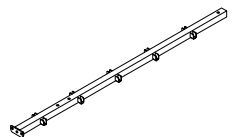
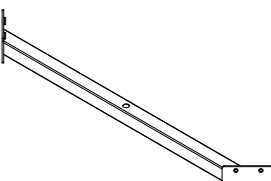

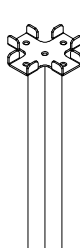
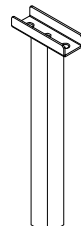
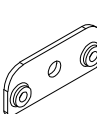
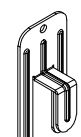
For easier and better assembly, **2** or more adults are required.

ASSEMBLY INSTRUCTIONS



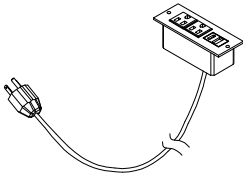
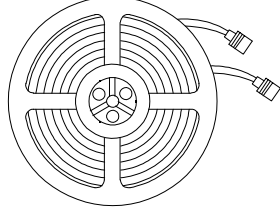
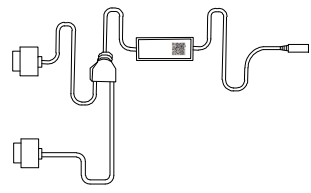

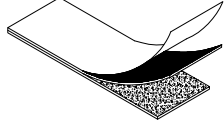
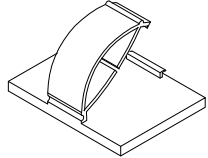

ASSEMBLY INSTRUCTIONS

PARTS LIST

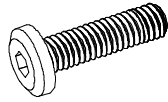


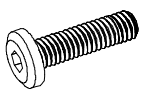
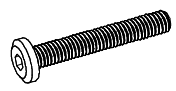
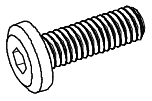
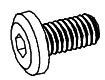
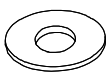

 <p>1</p>	 <p>2</p>	 <p>3</p>	 <p>4</p>
2PCS	1PC	1PC	1PC
 <p>5</p>	 <p>6</p>	 <p>7</p>	 <p>8</p>
1PC	1PC	1PC	1PC
 <p>9</p>	 <p>10</p>	 <p>11</p>	 <p>12</p>
1PC	1PC	1PC	2PCS
 <p>13</p>	 <p>14</p>	 <p>15</p>	 <p>16</p>
20PCS	2PCS	4PCS	4PCS
 <p>17</p>	 <p>18</p>	 <p>19</p>	 <p>20</p>
1PC	4PCS	2PCS	4PCS

ASSEMBLY INSTRUCTIONS

PARTS LIST

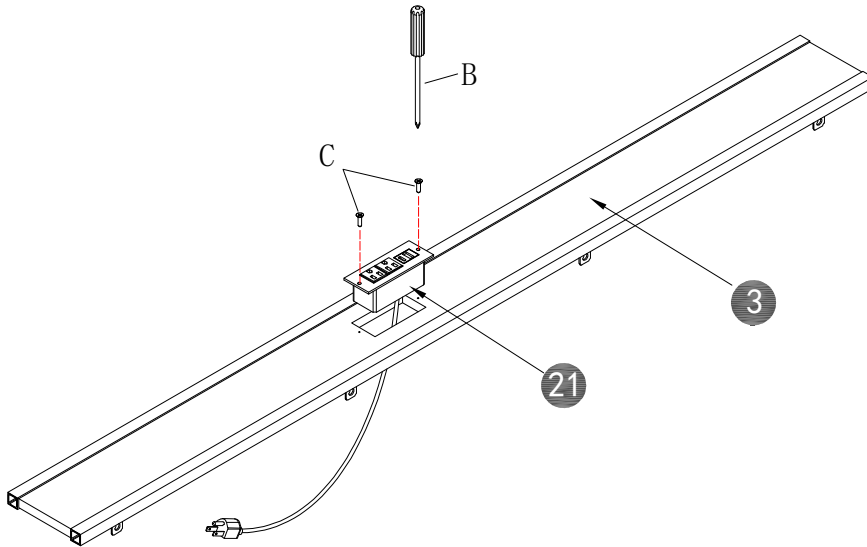
<p>21</p>  <p>1PC</p>	<p>22</p>  <p>light bar</p> <p>1PC</p>	<p>23</p>  <p>1PC</p>	<p>24</p>  <p>1PC</p>
<p>25</p>  <p>Thread embedding buckle</p> <p>4PCS</p>	<p>26</p>  <p>16PCS</p>	<p>27</p>  <p>1PC</p>	



HARDWARE LIST

<p>A</p>  <p>M8*35</p> <p>4PCS</p>	<p>B</p>  <p>1PC</p>	<p>C</p>  <p>Ø3*12</p> <p>2PCS</p>	<p>D</p>  <p>M6*35</p> <p>22PCS</p>
<p>E</p>  <p>M6*45</p> <p>10PCS</p>	<p>F</p>  <p>M6*25</p> <p>28PCS</p>	<p>G</p>  <p>M6*12</p> <p>10PCS</p>	<p>H</p>  <p>Ø6</p> <p>14PCS</p>
<p>I</p>  <p>S4</p> <p>1PC</p>			

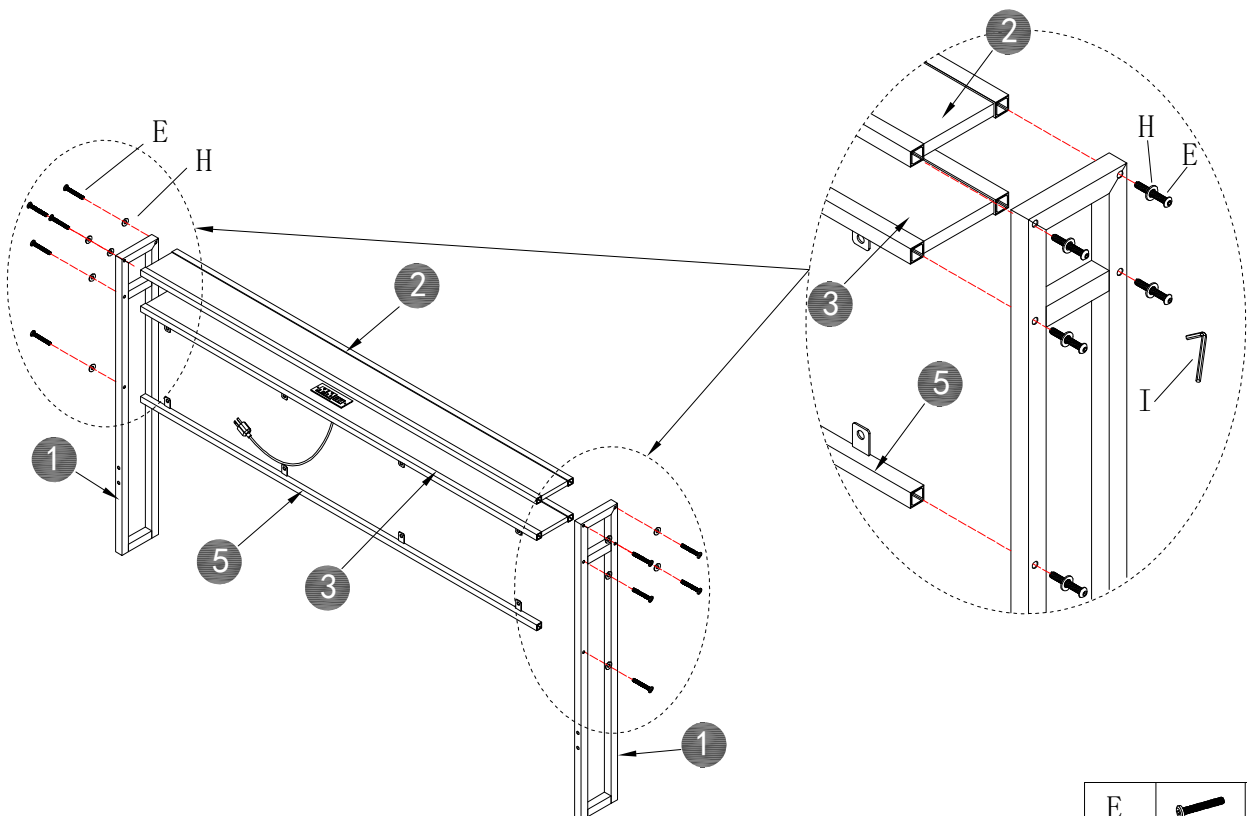
ASSEMBLY INSTRUCTIONS




1



C		2PCS
B		

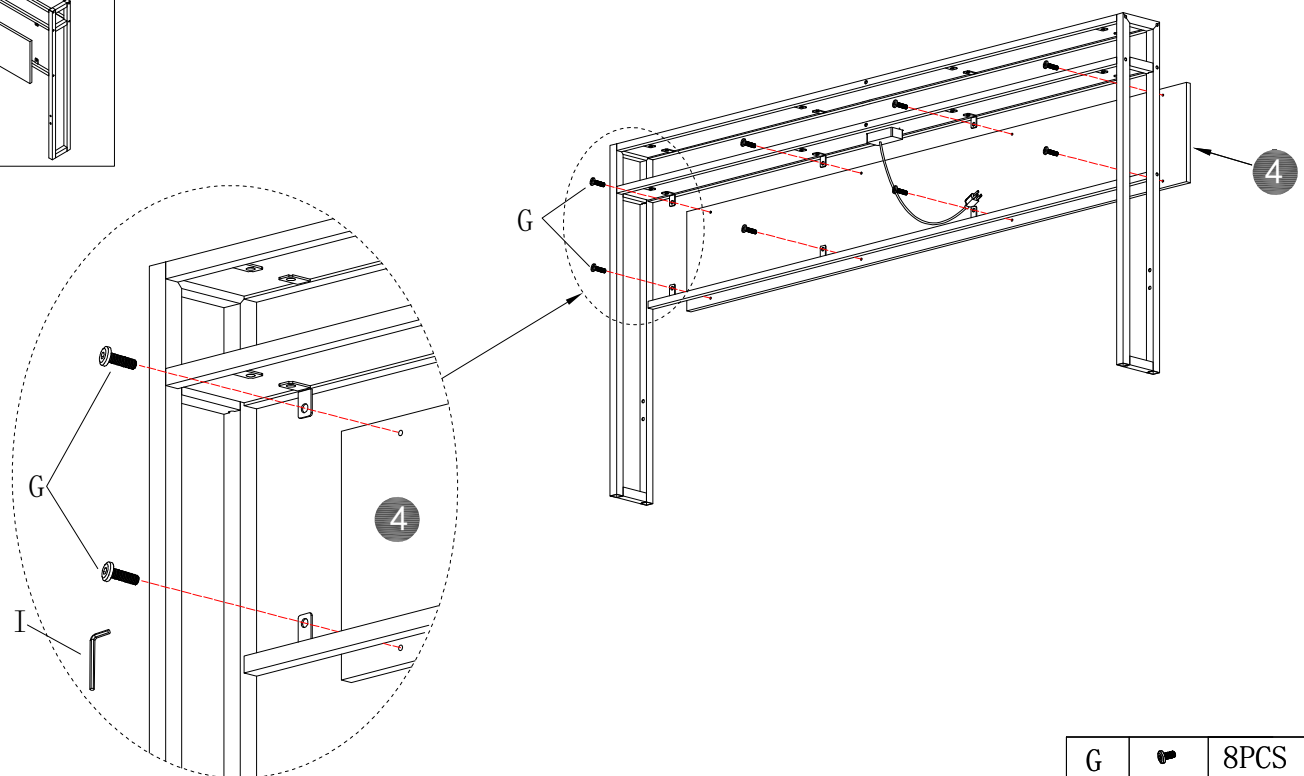
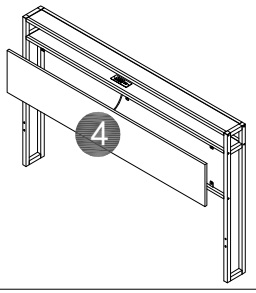
2



E		10PCS
H		10PCS
I		

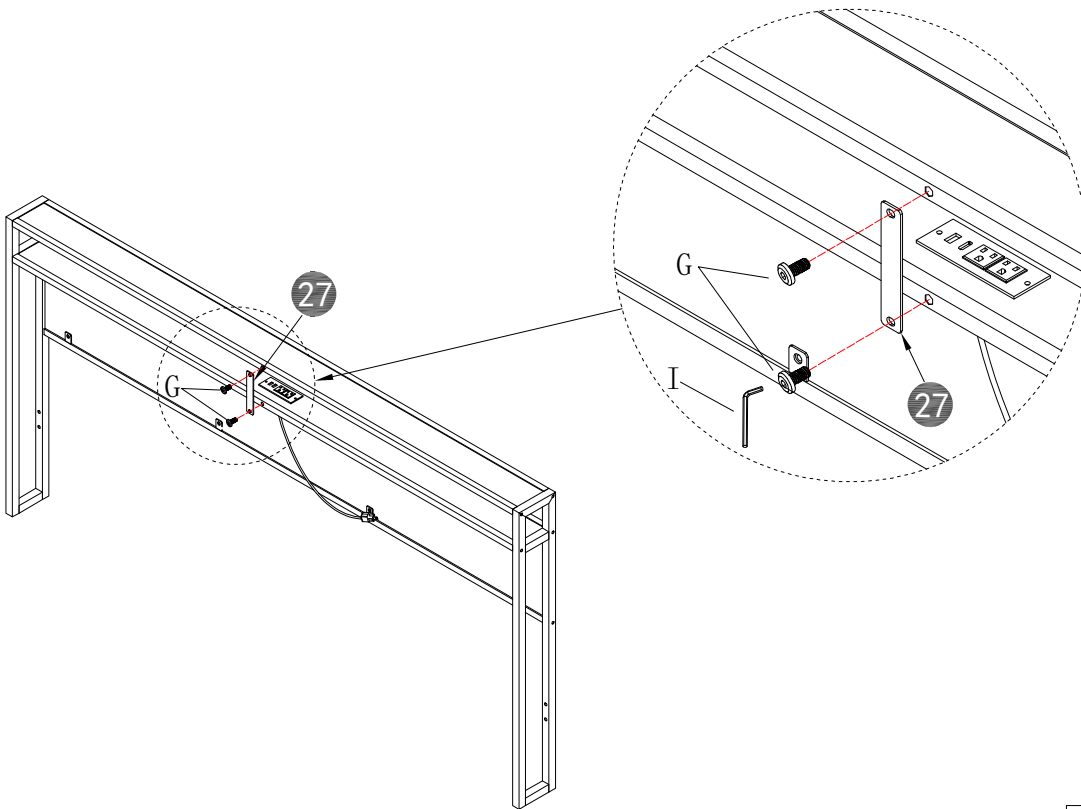
ASSEMBLY INSTRUCTIONS

3



G		8PCS
I		

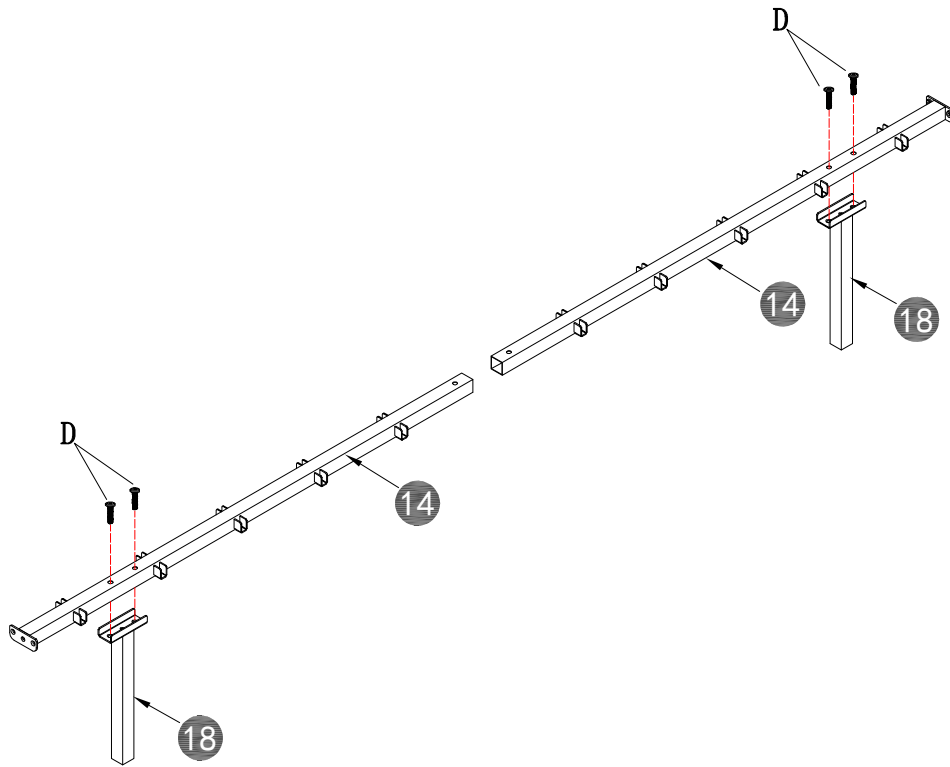
4





G		2PCS
I		

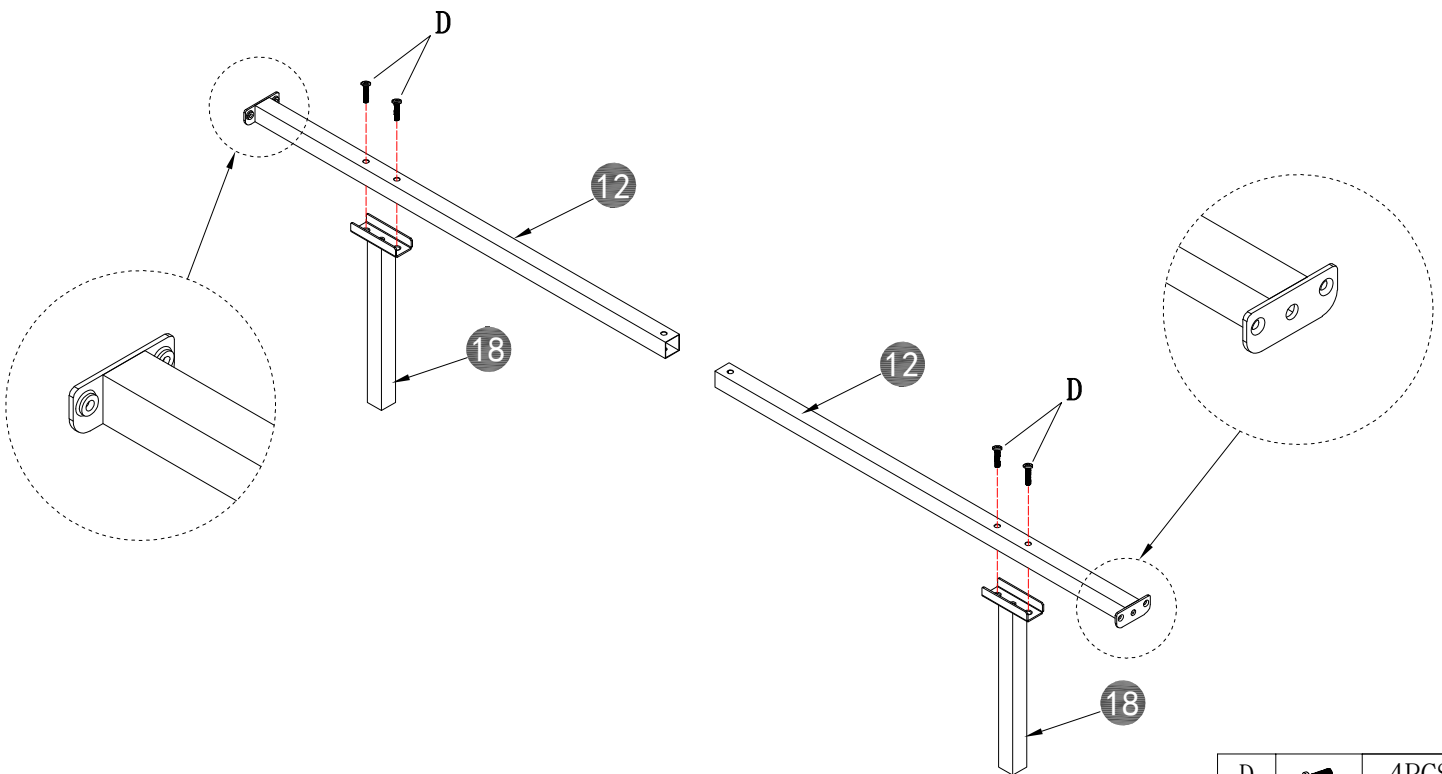
ASSEMBLY INSTRUCTIONS


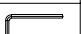
5



D		4PCS
I		

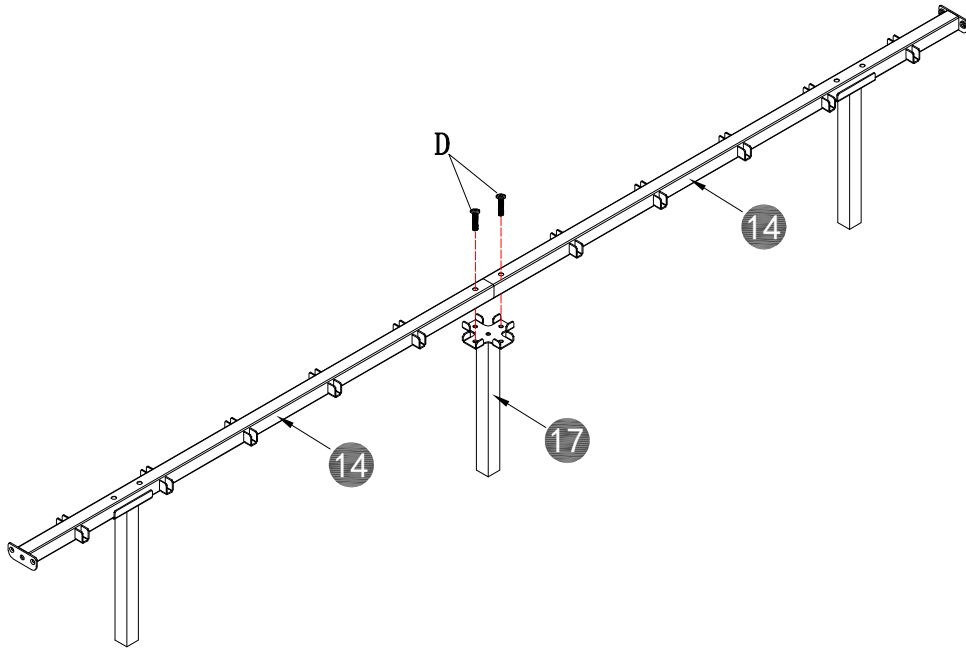
6





D		4PCS
I		

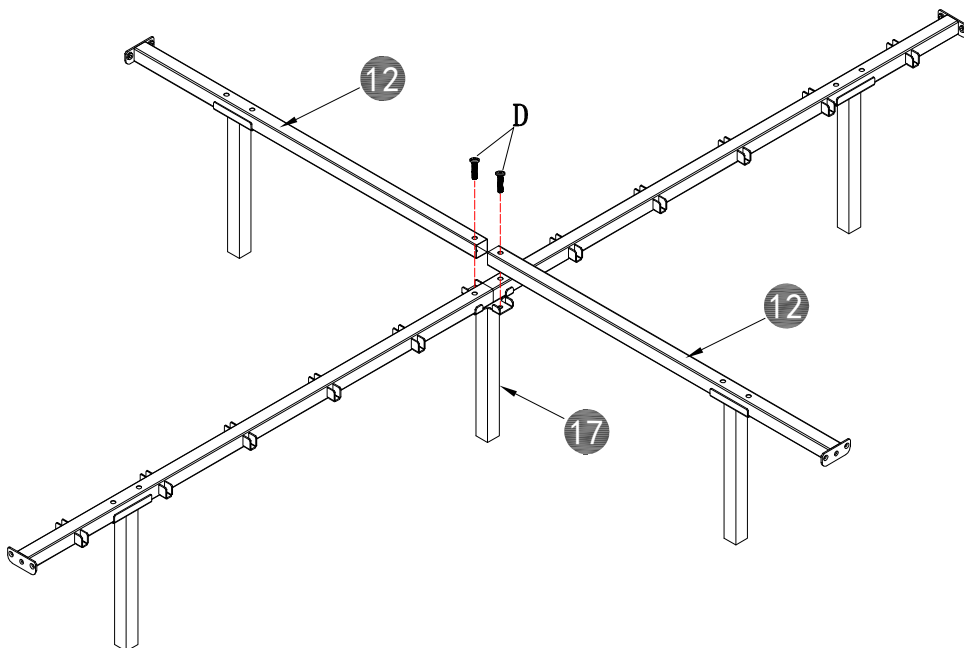
ASSEMBLY INSTRUCTIONS


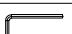
7



D		2PCS
I		

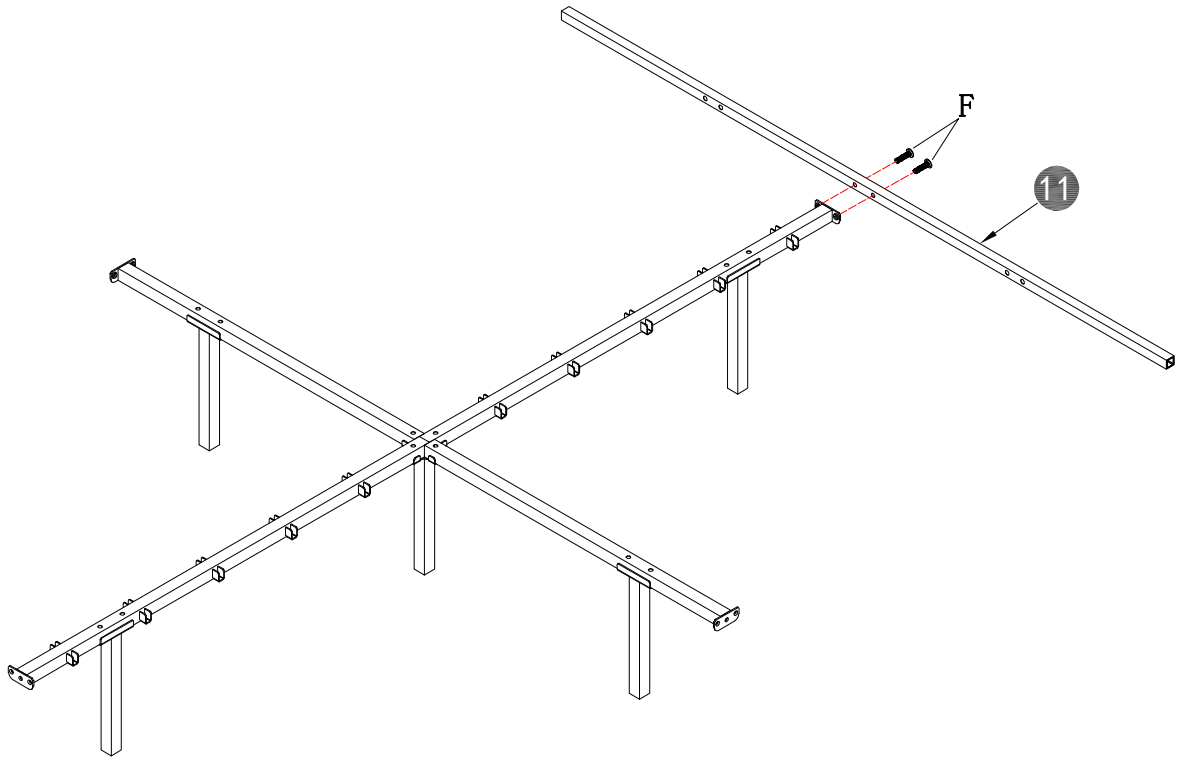
8





D		2PCS
I		

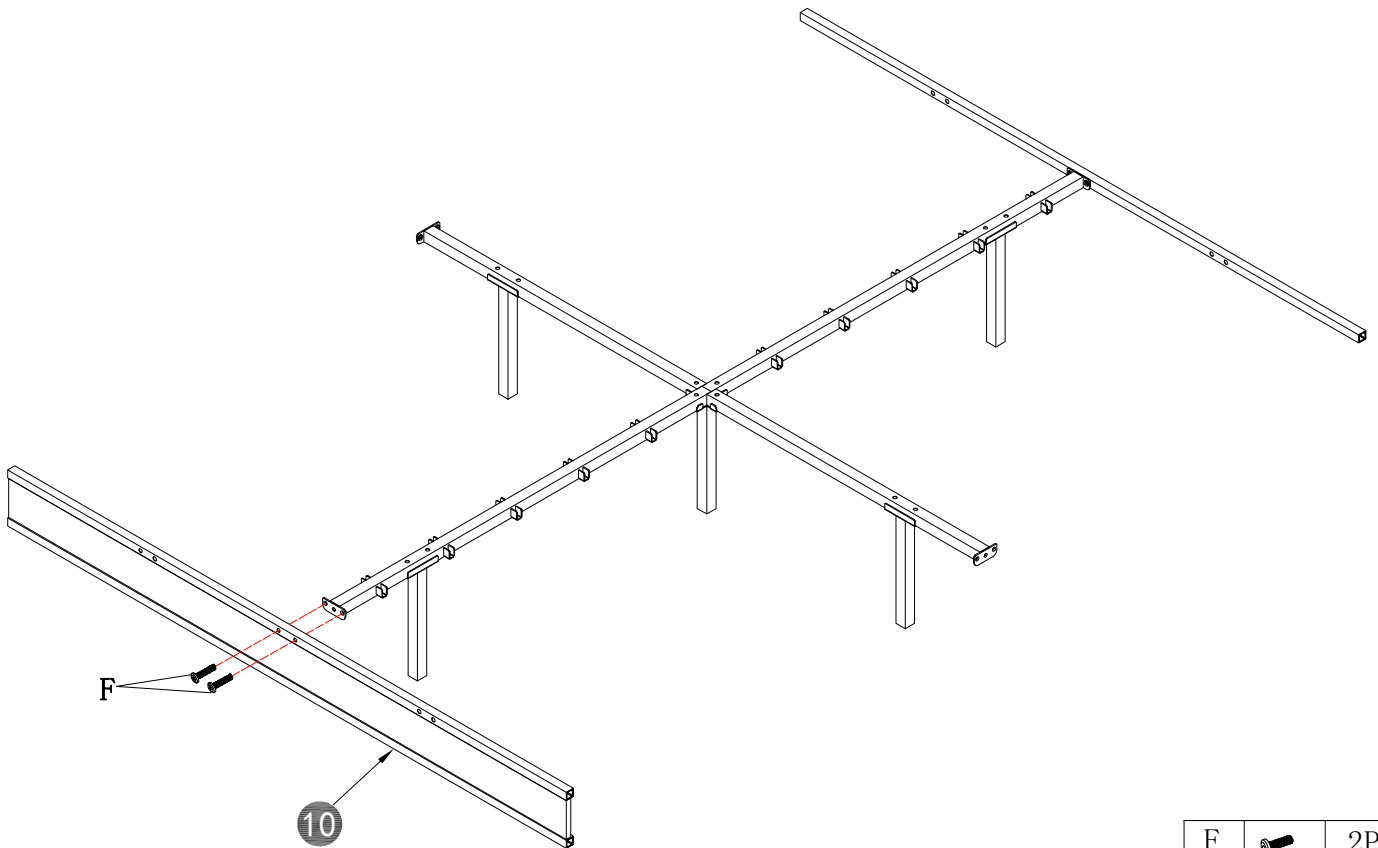
ASSEMBLY INSTRUCTIONS



9



F		2PCS
I		

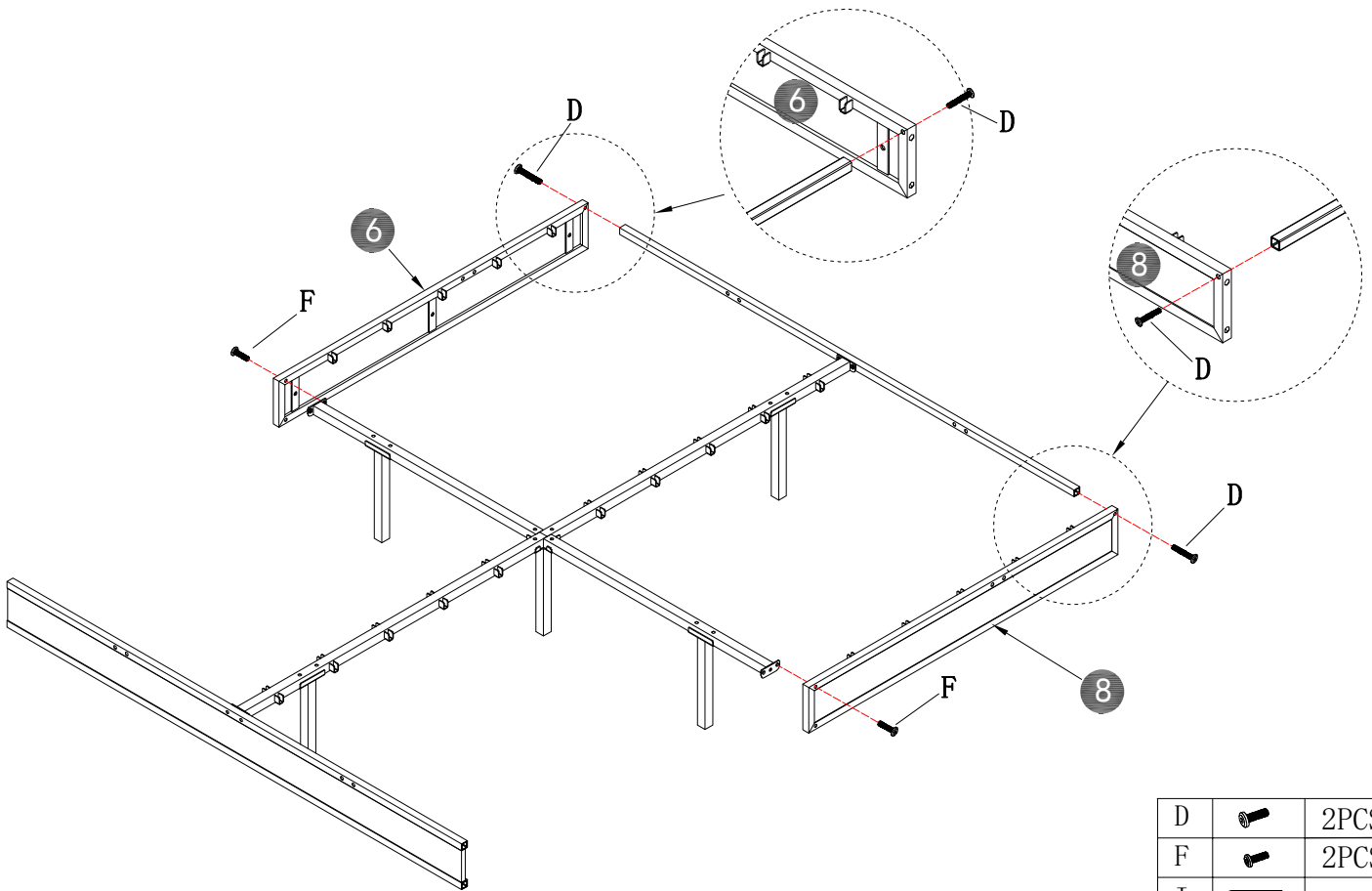
10



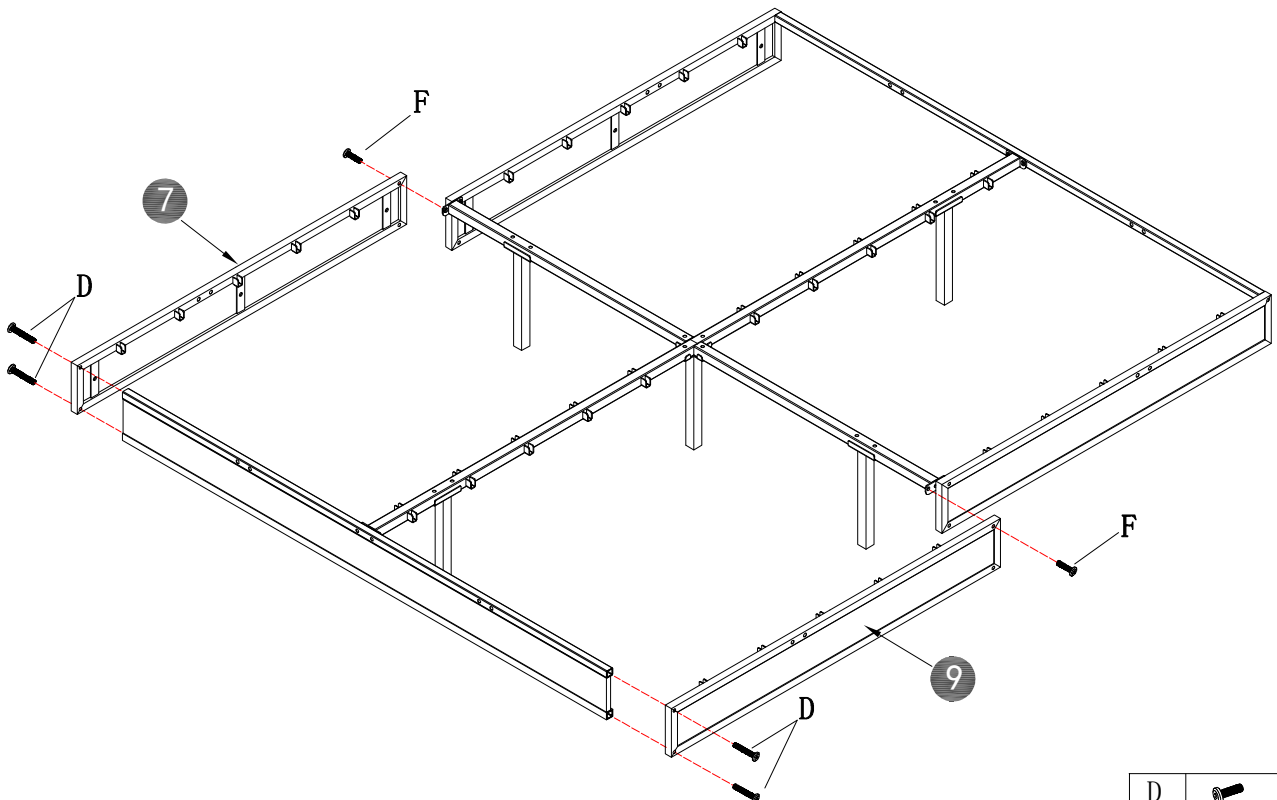
F		2PCS
I		

ASSEMBLY INSTRUCTIONS

11



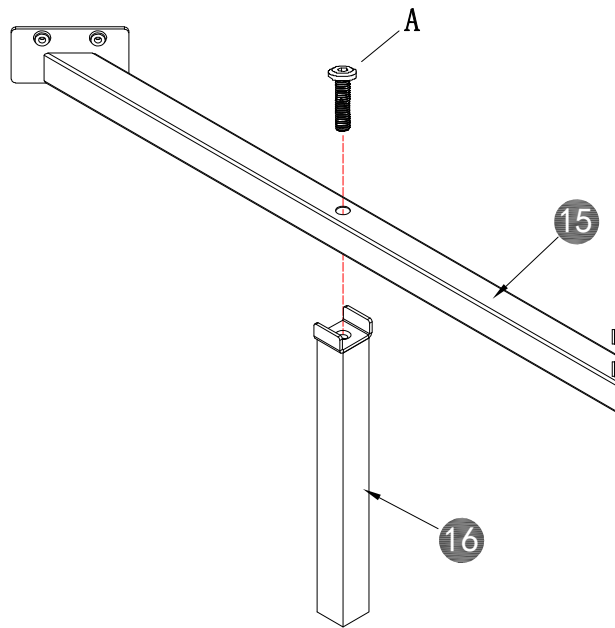
12





ASSEMBLY INSTRUCTIONS

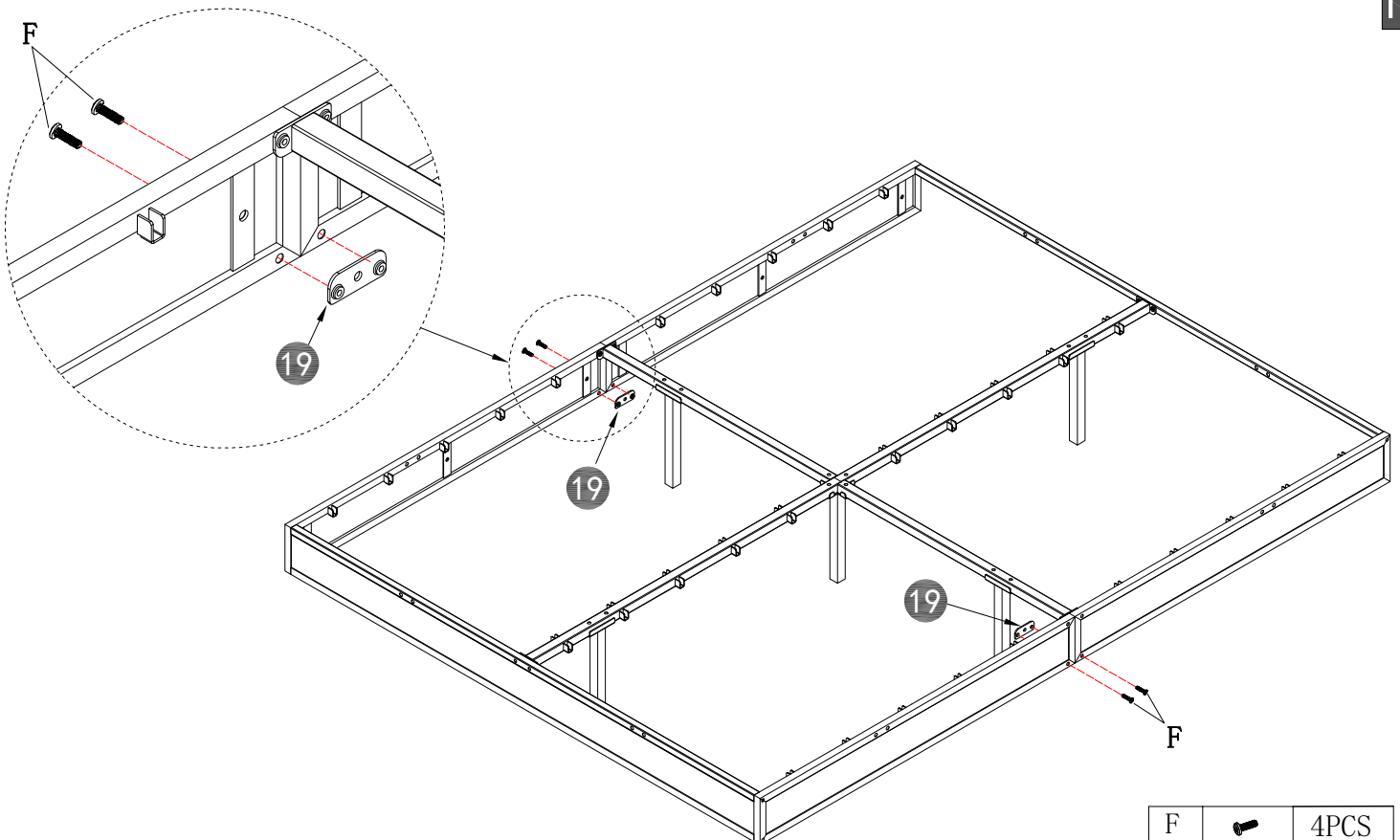
13



x4



A		4PCS
I		

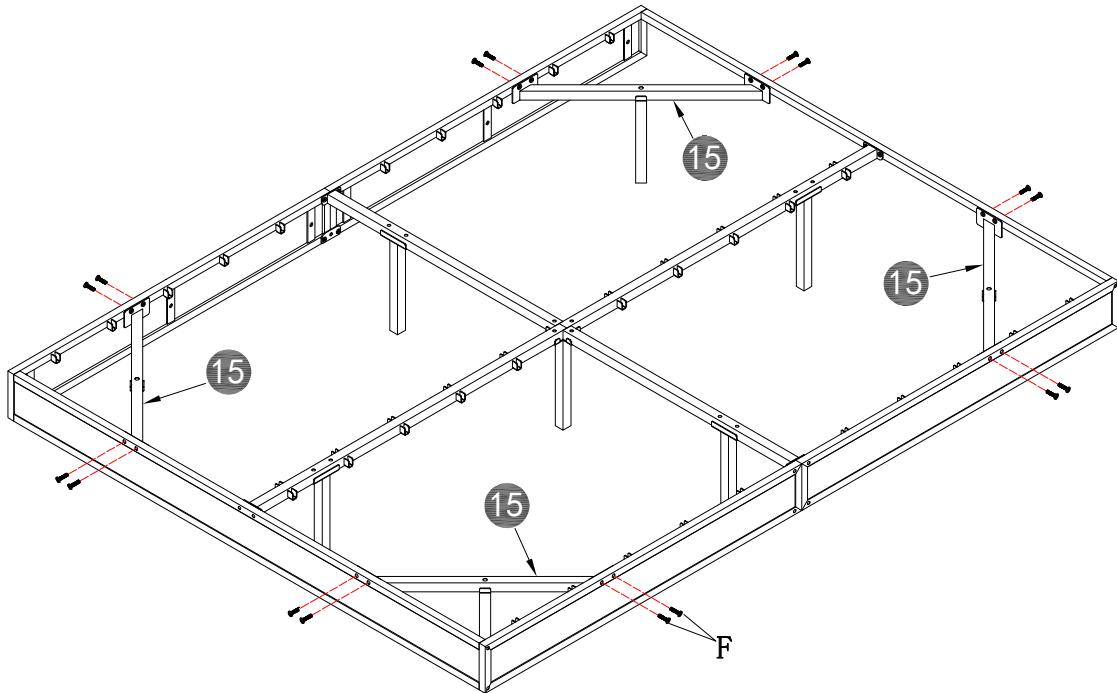
14





F		4PCS
I		

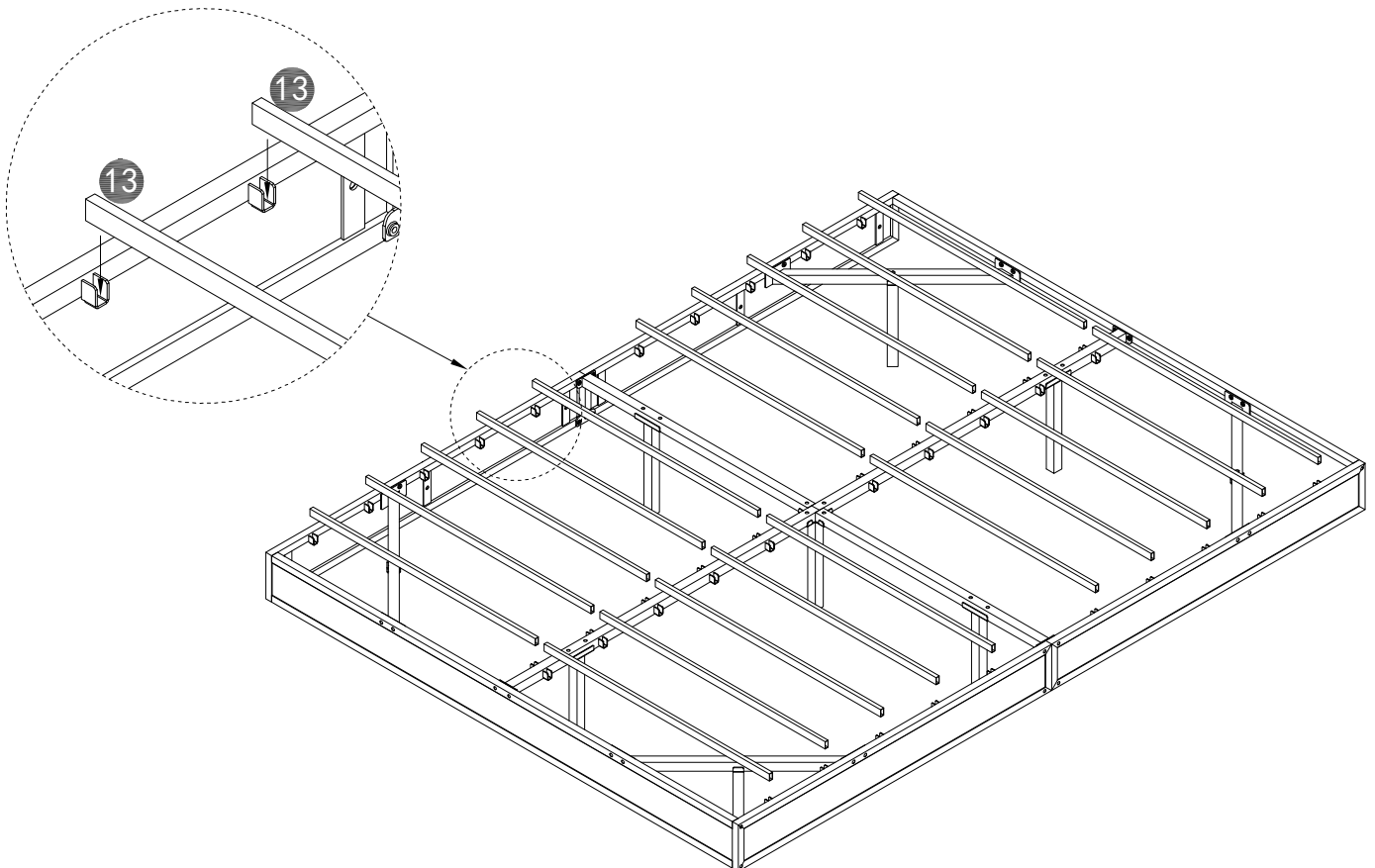
ASSEMBLY INSTRUCTIONS

15



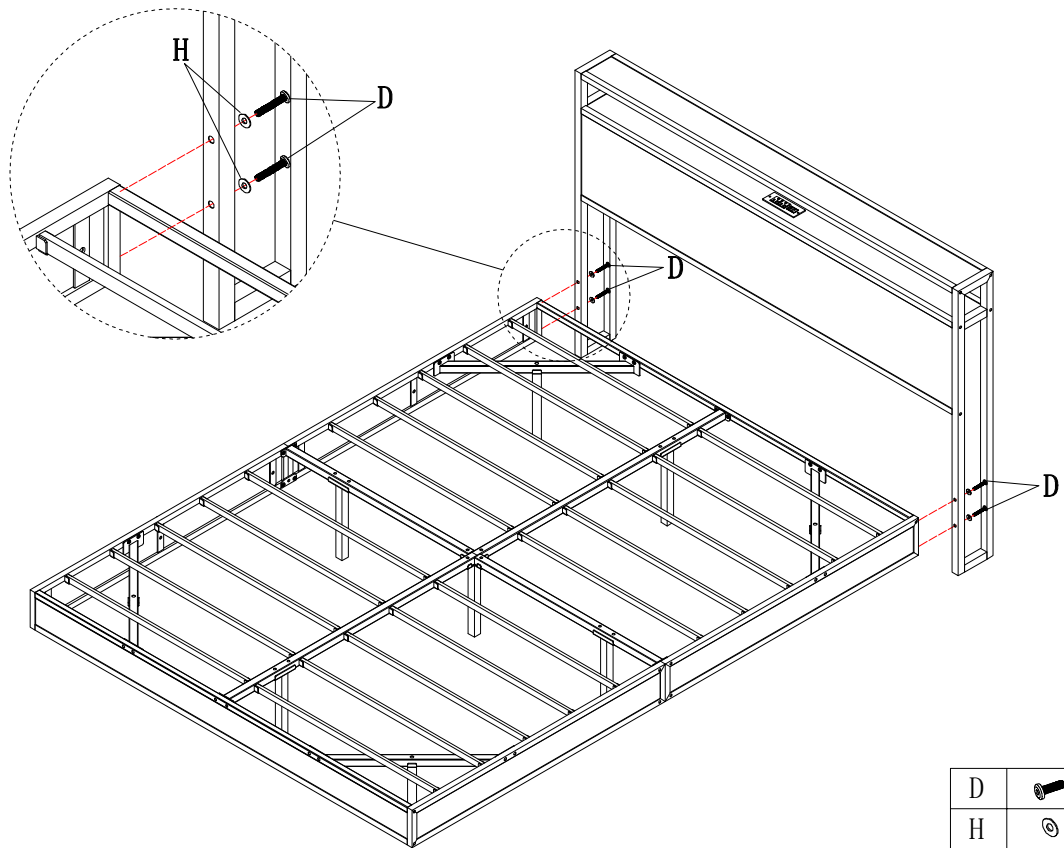
F		16PCS
I		




16



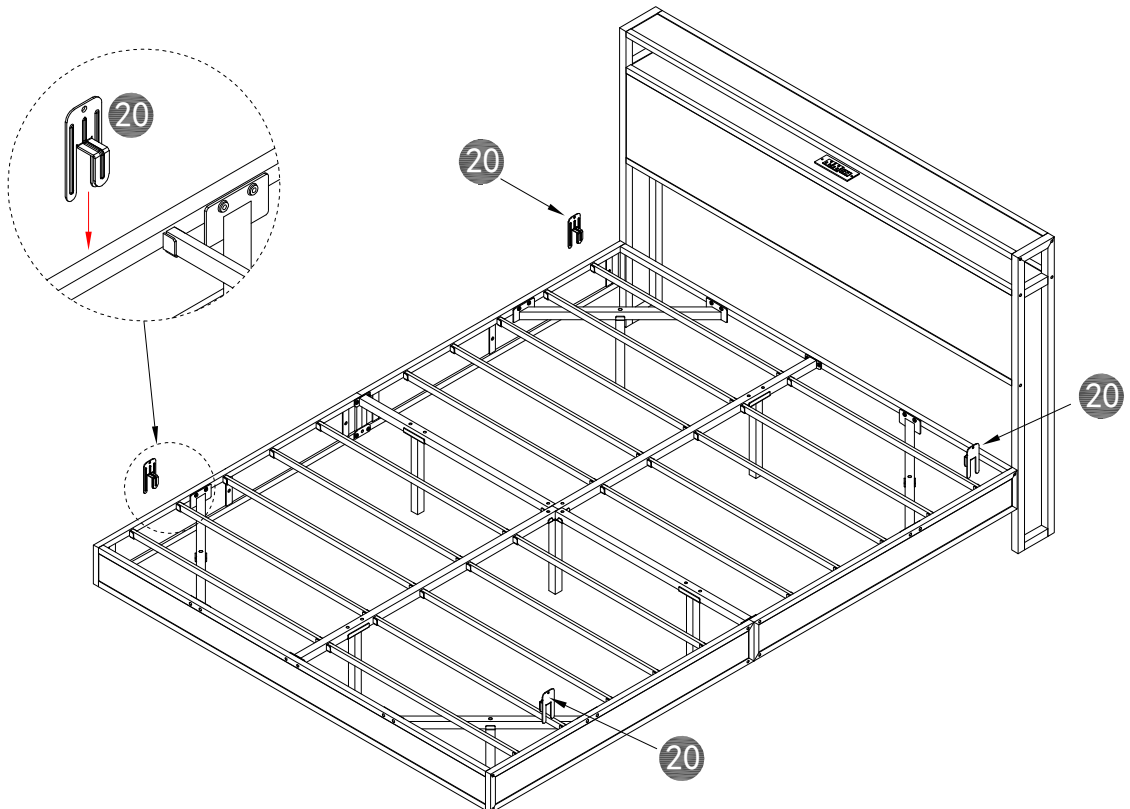
ASSEMBLY INSTRUCTIONS

17

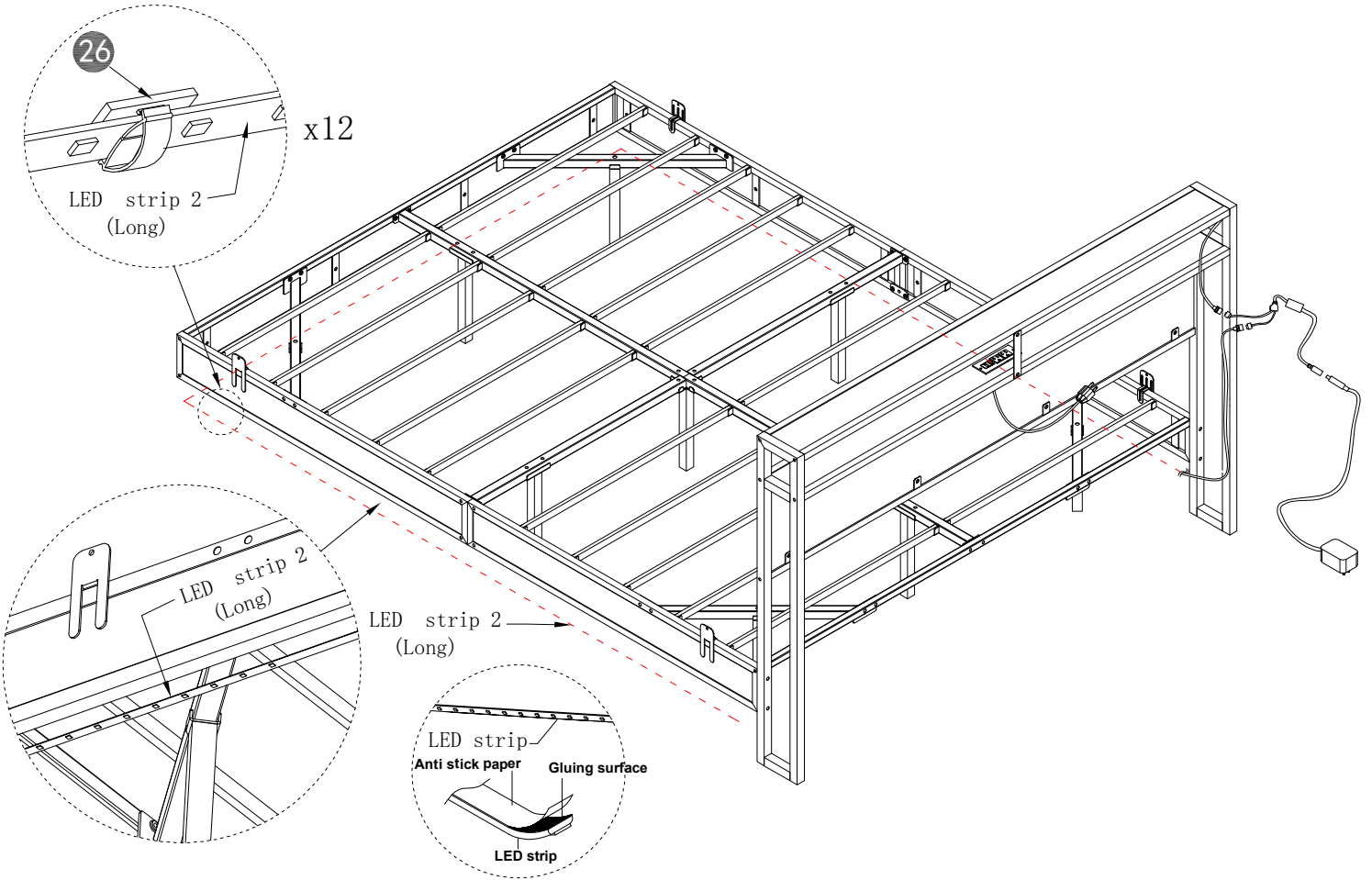
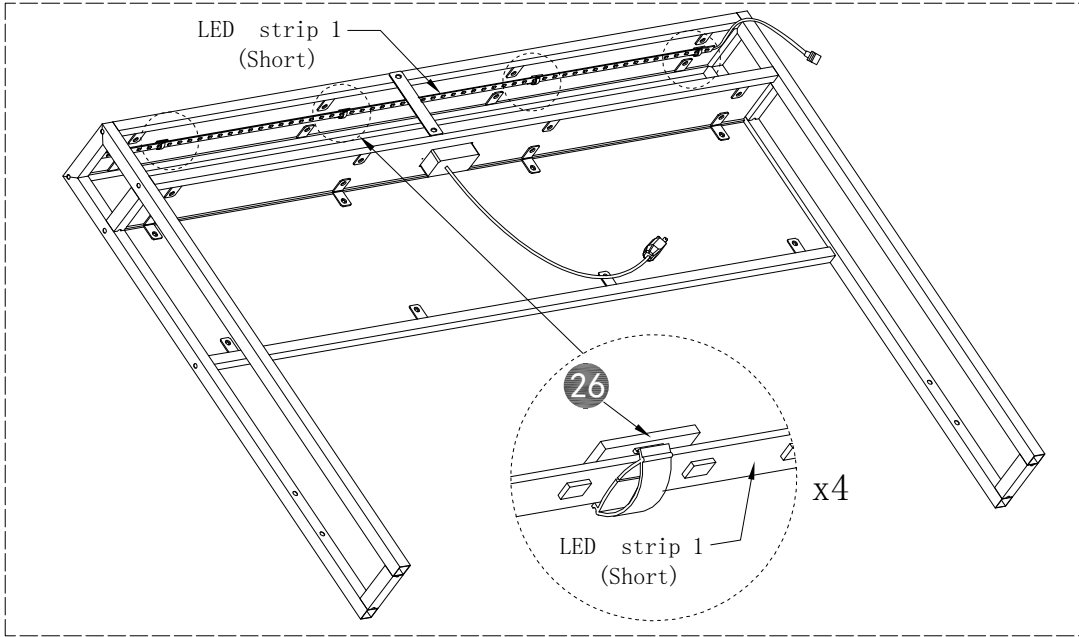
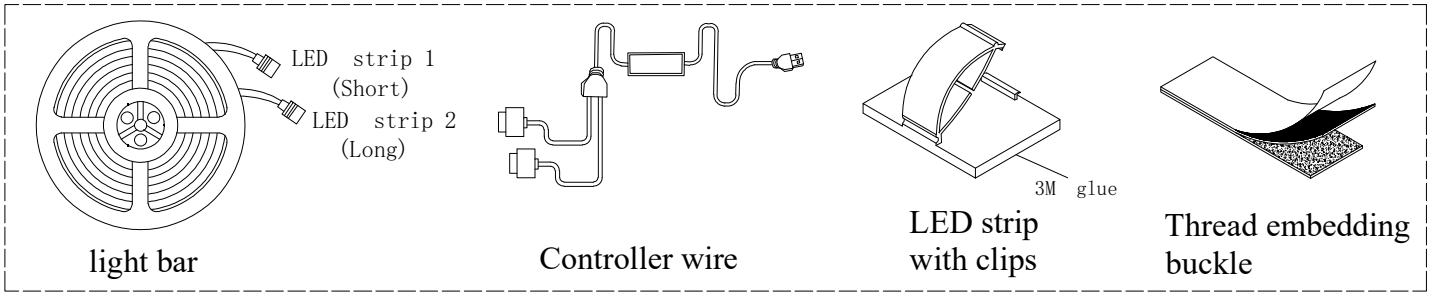


D		4PCS
H		4PCS
I		

18



DIY LED



DIY LED

