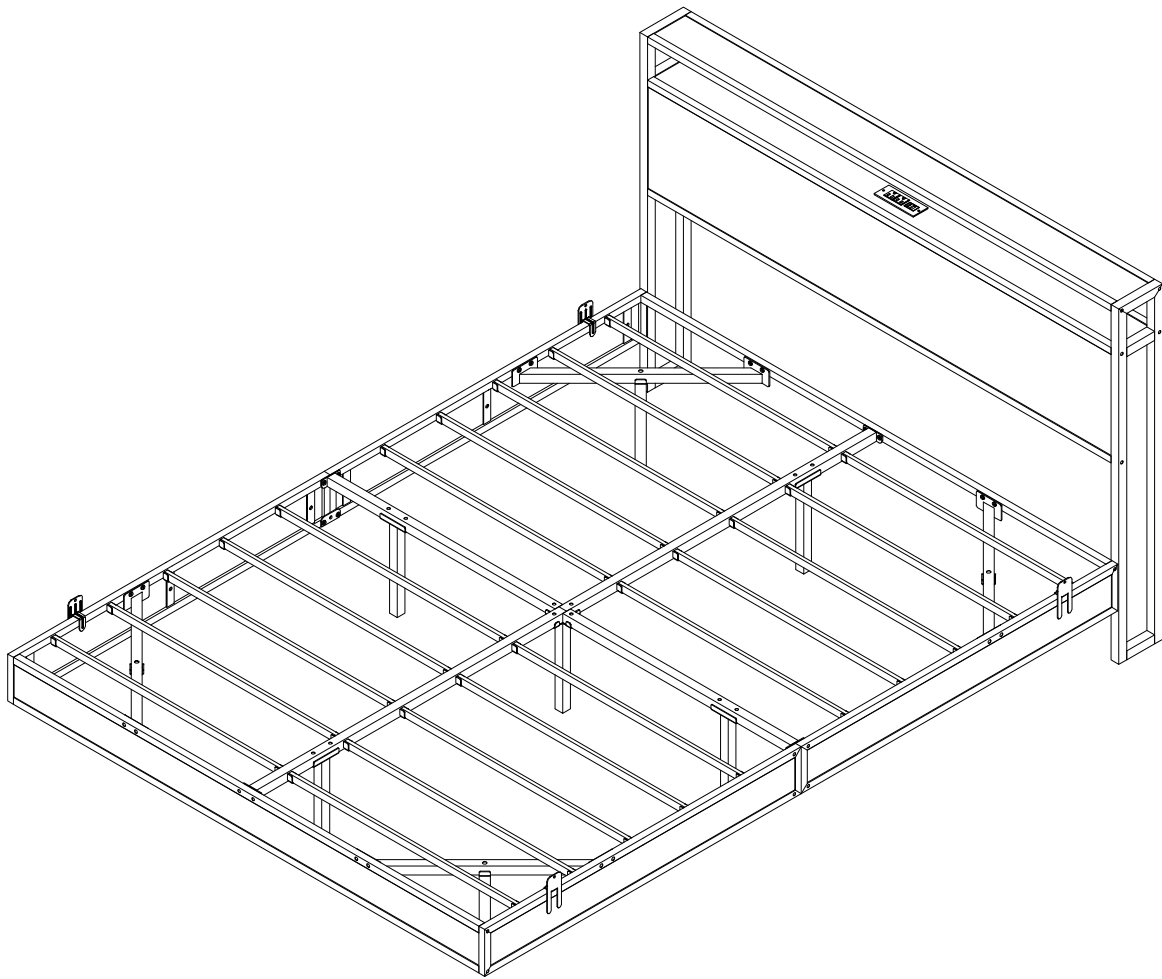


# ASSEMBLY INSTRUCTIONS

---

## Metal Storage Bed Frame Assembly Instructions

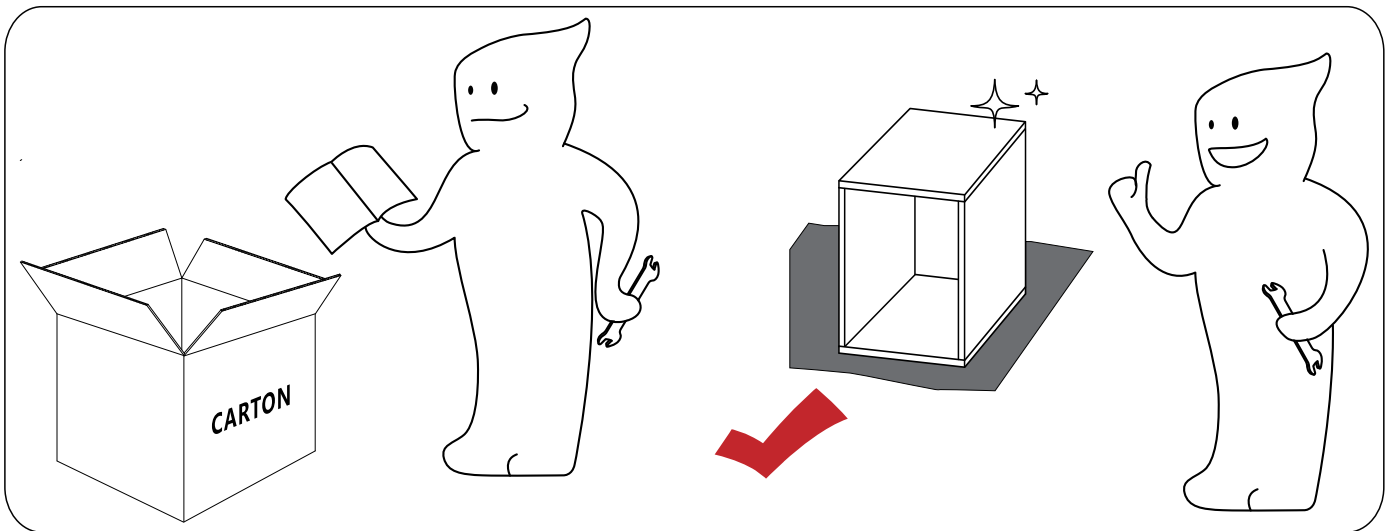
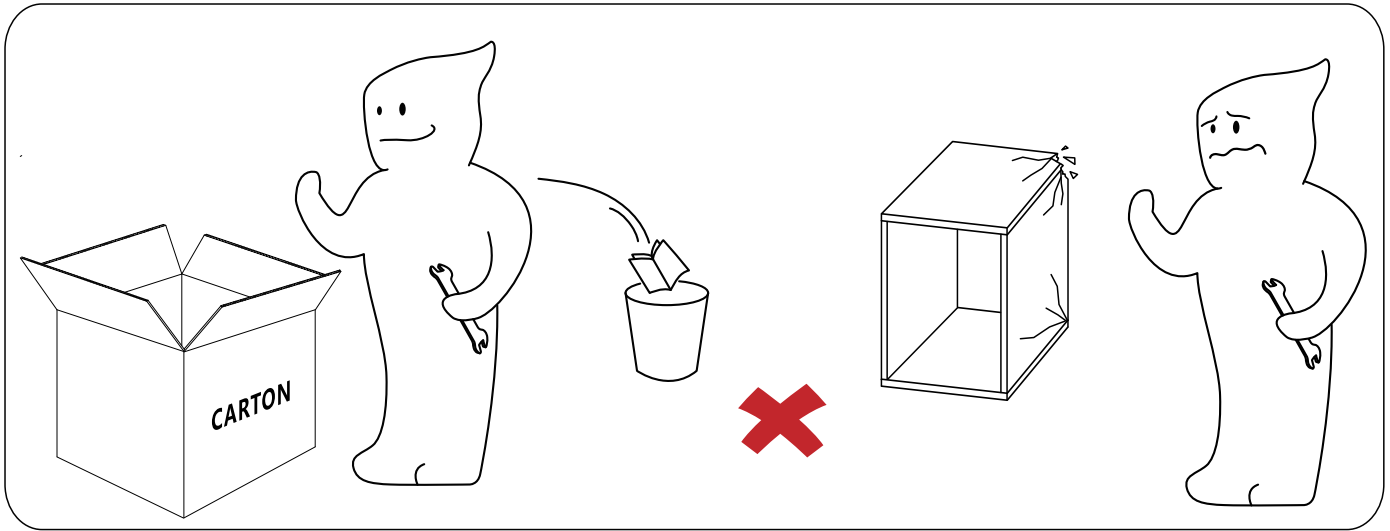


### **Dear Customers,**

Thank you for purchasing our product. Please read this instruction manual carefully after receiving this product. It will help you assemble this product quickly, safely and correctly. You can keep this manual for future reference.  
**MADE IN CHINA**

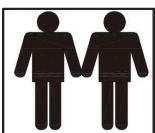
## ! IMPORTANT

Please follow the instruction manuals and use a pad to protect the product during your assembly.



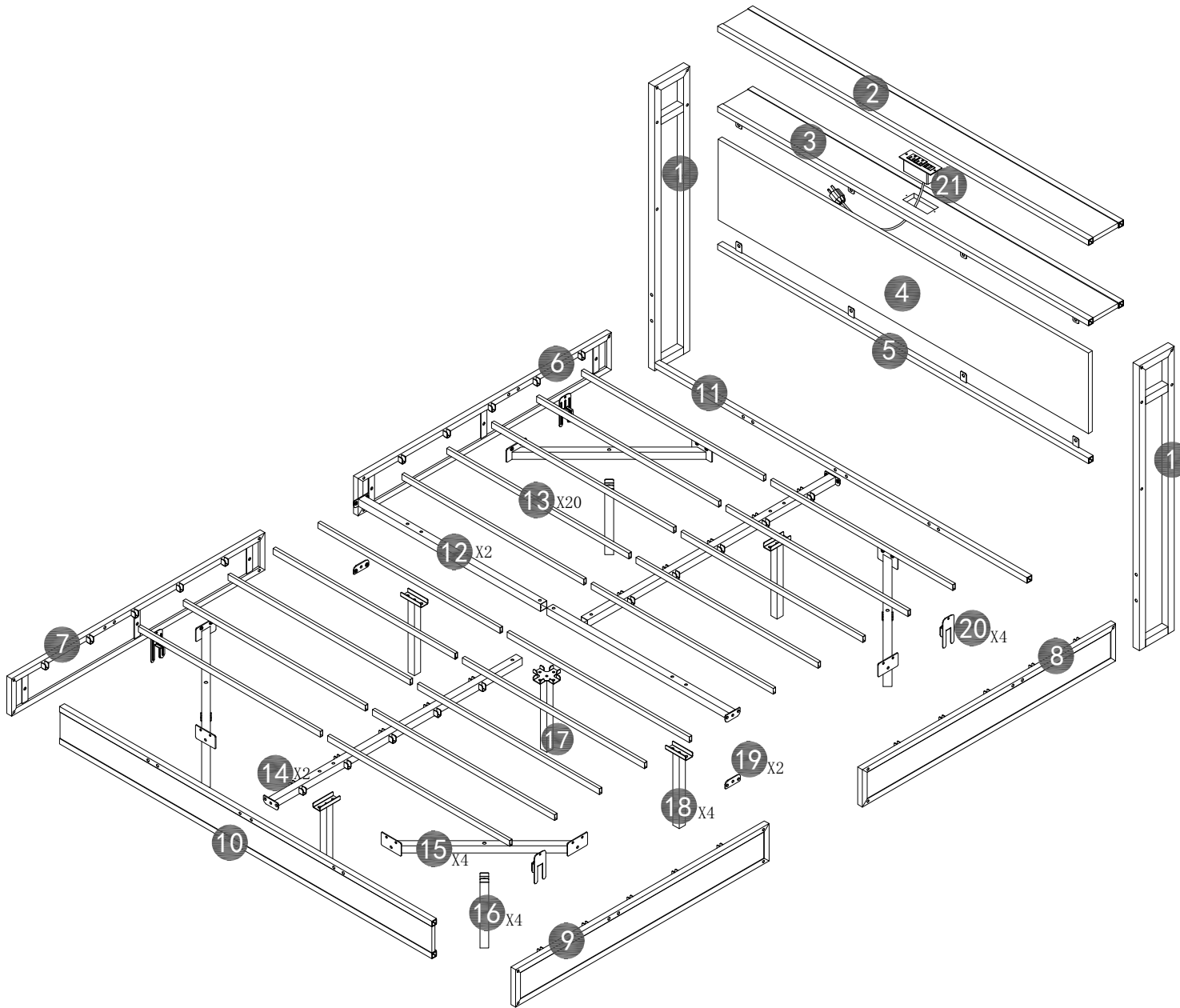
### Note:

1. Should be assembled on flat ground to keep balance.
2. Before completing the installation, do not tighten the screws.



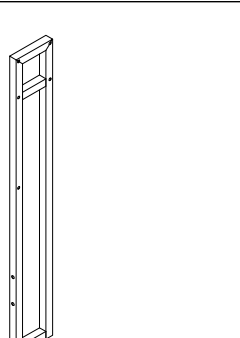
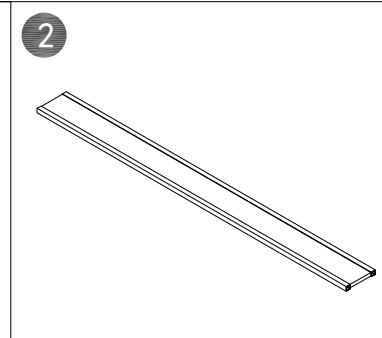
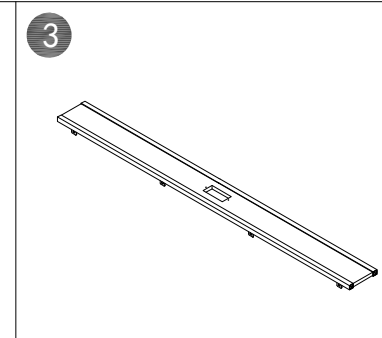
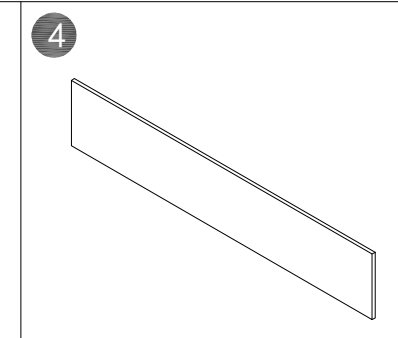
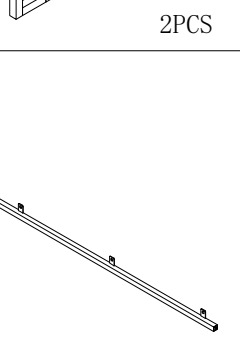
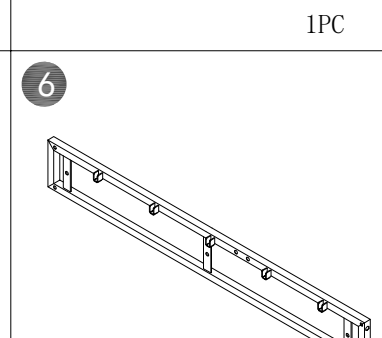
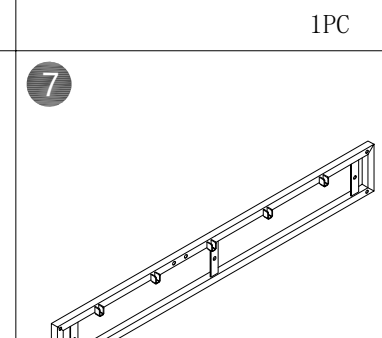
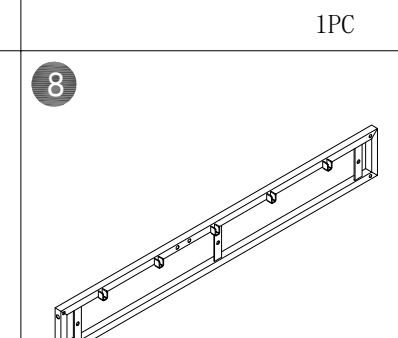
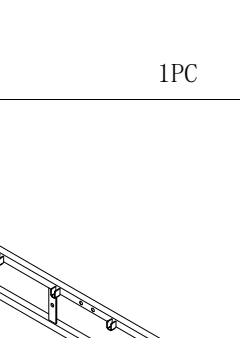
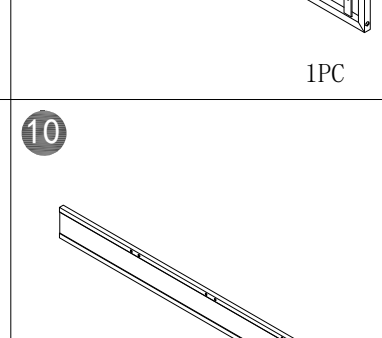
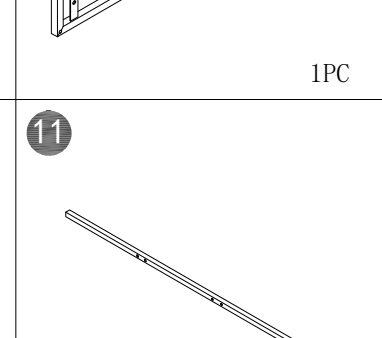
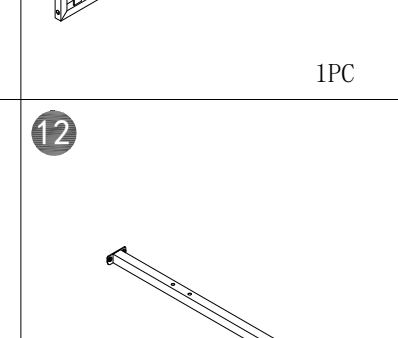
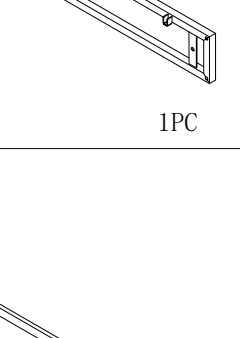
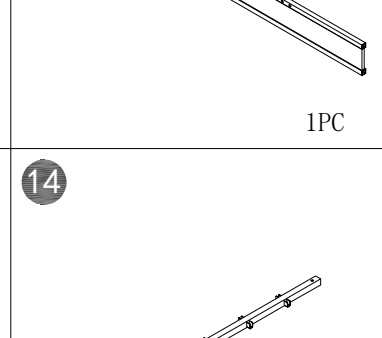
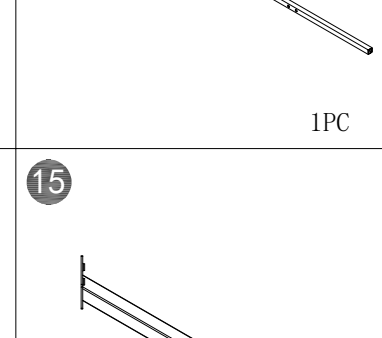
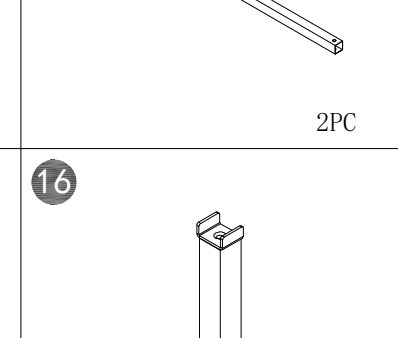
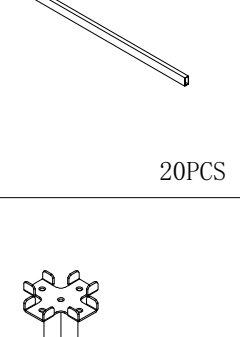
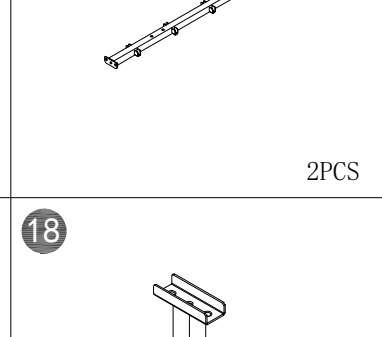
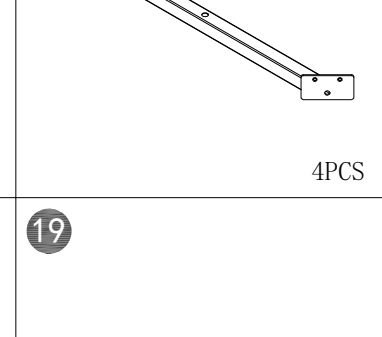
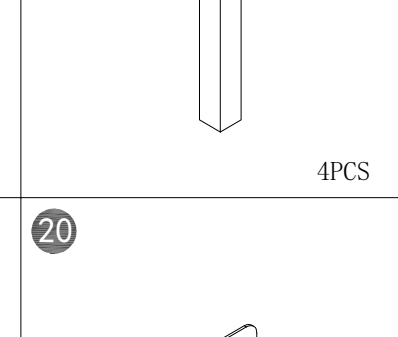
For easier and better assembly, **2** or more adults are required.

# ASSEMBLY INSTRUCTIONS



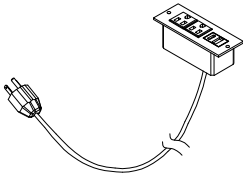
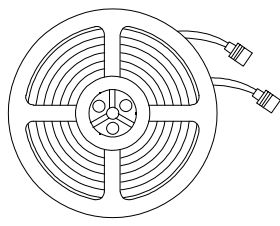
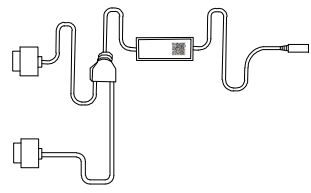

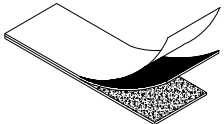
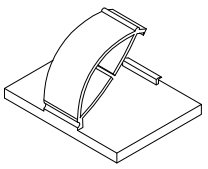
# ASSEMBLY INSTRUCTIONS

## PARTS LIST

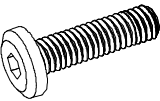
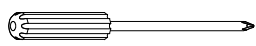
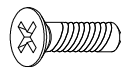
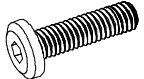
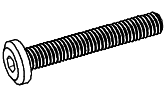
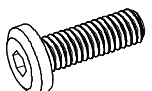
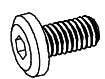


 <p>1</p>	 <p>2</p>	 <p>3</p>	 <p>4</p>
 <p>5</p>	 <p>6</p>	 <p>7</p>	 <p>8</p>
 <p>9</p>	 <p>10</p>	 <p>11</p>	 <p>12</p>
 <p>13</p>	 <p>14</p>	 <p>15</p>	 <p>16</p>
 <p>17</p>	 <p>18</p>	 <p>19</p>	 <p>20</p>

# ASSEMBLY INSTRUCTIONS

## PARTS LIST

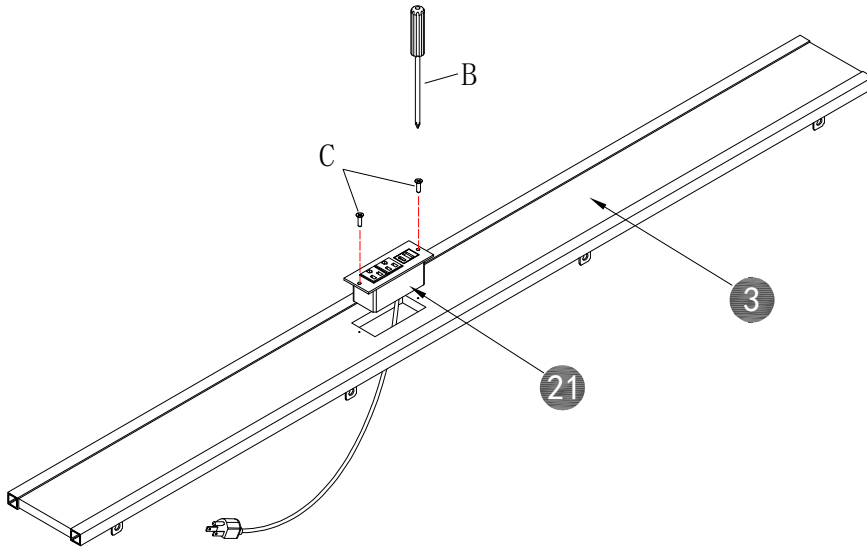
<p>21</p>  <p>1PC</p>	<p>22</p>  <p>light bar</p> <p>1PC</p>	<p>23</p>  <p>1PC</p>	<p>24</p>  <p>1PC</p>
<p>25</p>  <p>Thread embedding buckle</p> <p>4PCS</p>	<p>26</p>  <p>16PC</p>		



## HARDWARE LIST

<p>A</p>  <p>M8*35</p> <p>4PCS</p>	<p>B</p>  <p>1PC</p>	<p>C</p>  <p>∅3*12</p> <p>2PCS</p>	<p>D</p>  <p>M6*35</p> <p>22PCS</p>
<p>E</p>  <p>M6*45</p> <p>10PCS</p>	<p>F</p>  <p>M6*25</p> <p>28PCS</p>	<p>G</p>  <p>M6*12</p> <p>8PCS</p>	<p>H</p>  <p>∅6</p> <p>14PCS</p>
<p>I</p>  <p>S4</p> <p>1PC</p>			

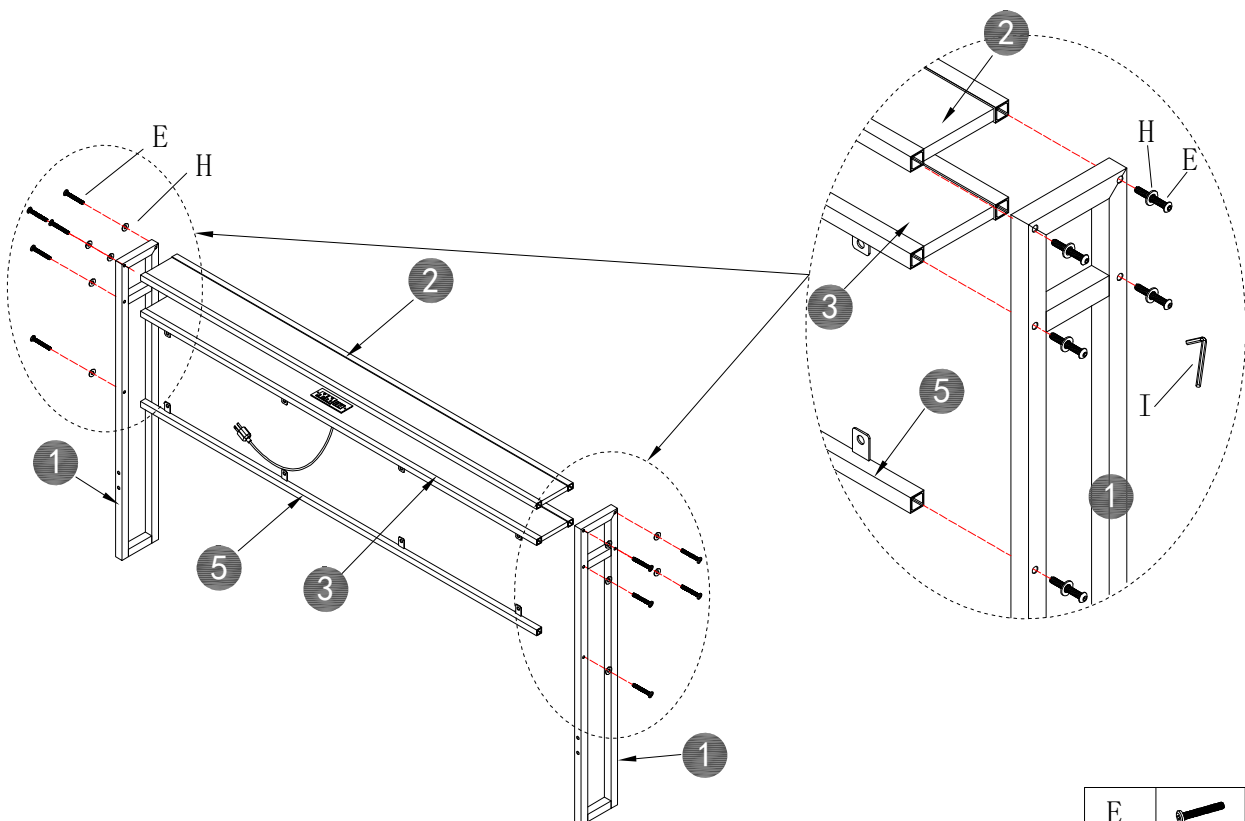
# ASSEMBLY INSTRUCTIONS




1



C		2PCS
B		

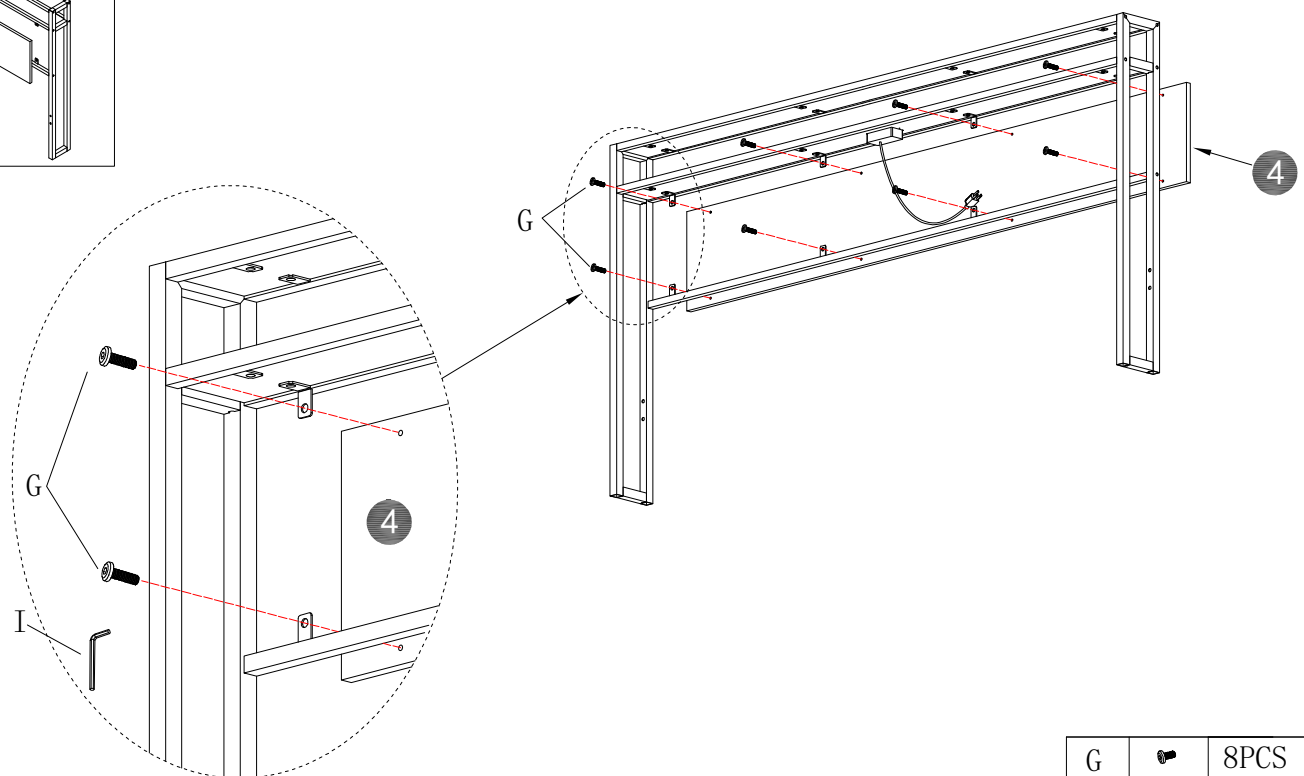
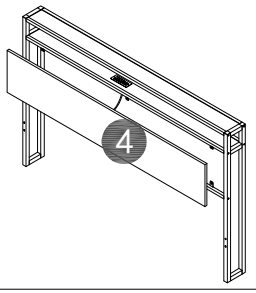
2



E		10PCS
H		10PCS
I		

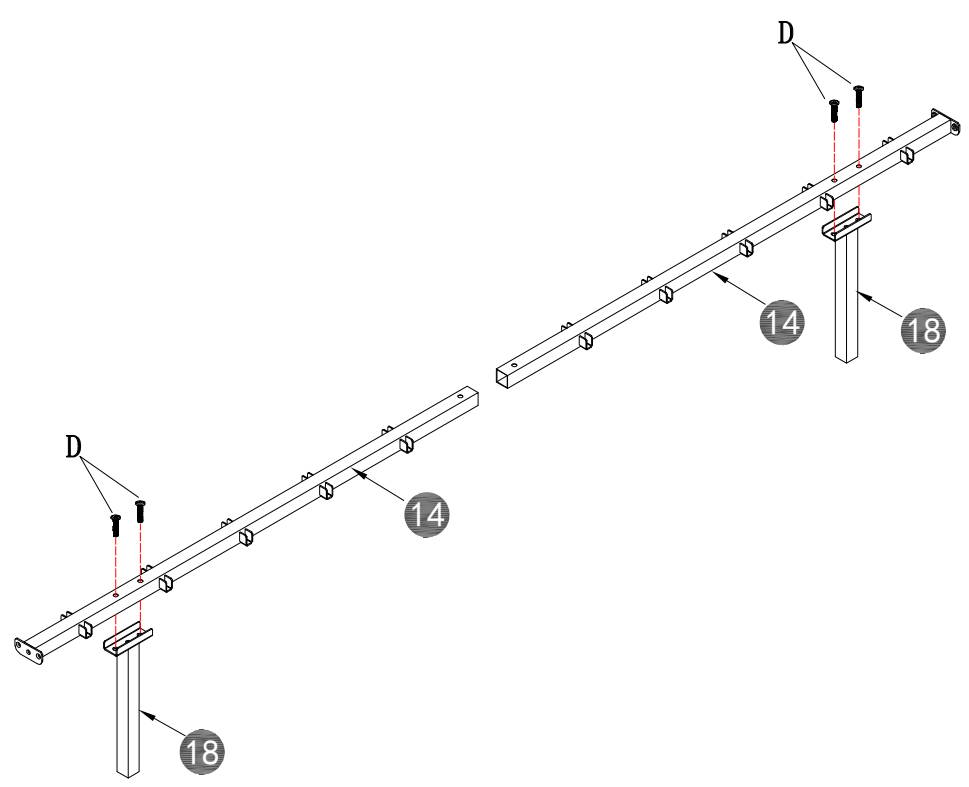
# ASSEMBLY INSTRUCTIONS

3



G		8PCS
I		

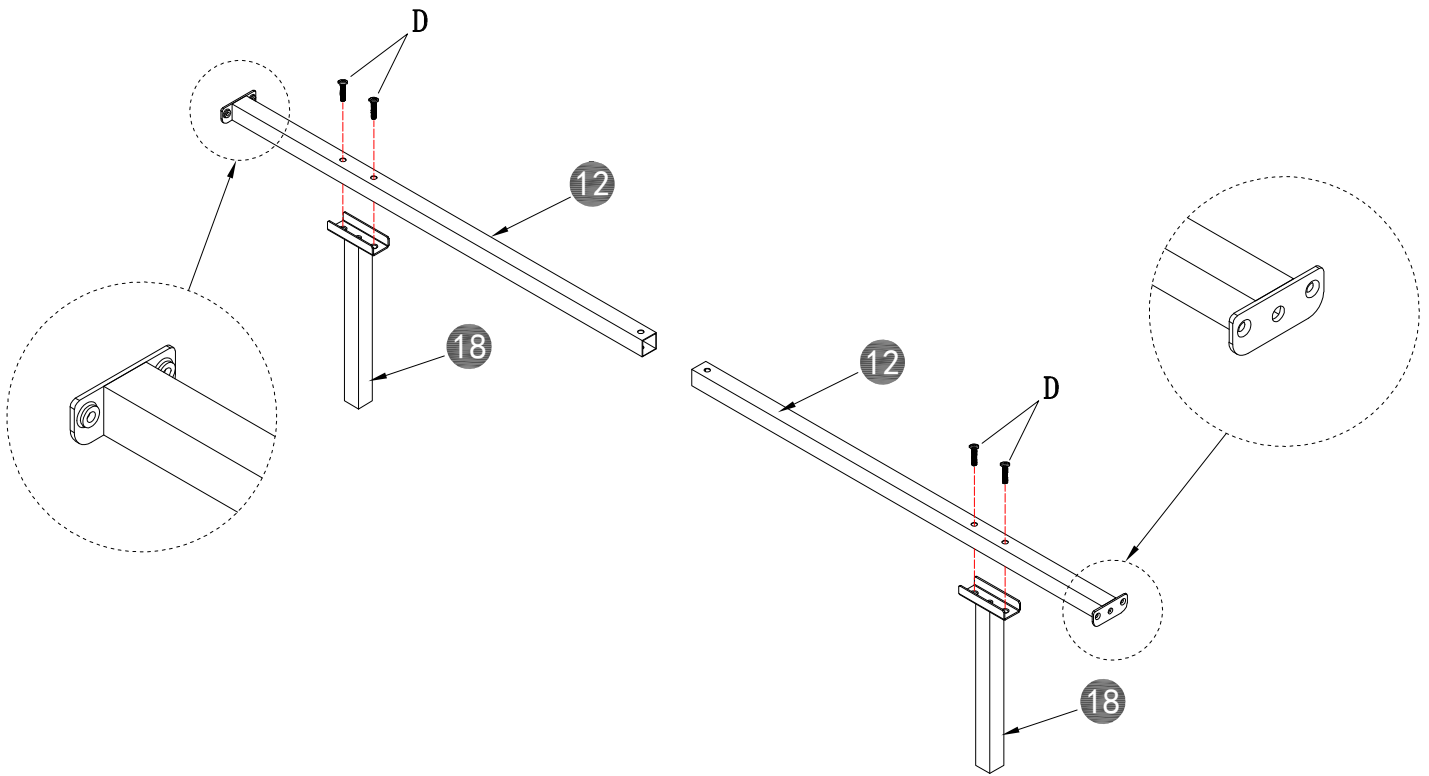
4



D		4PCS
I		

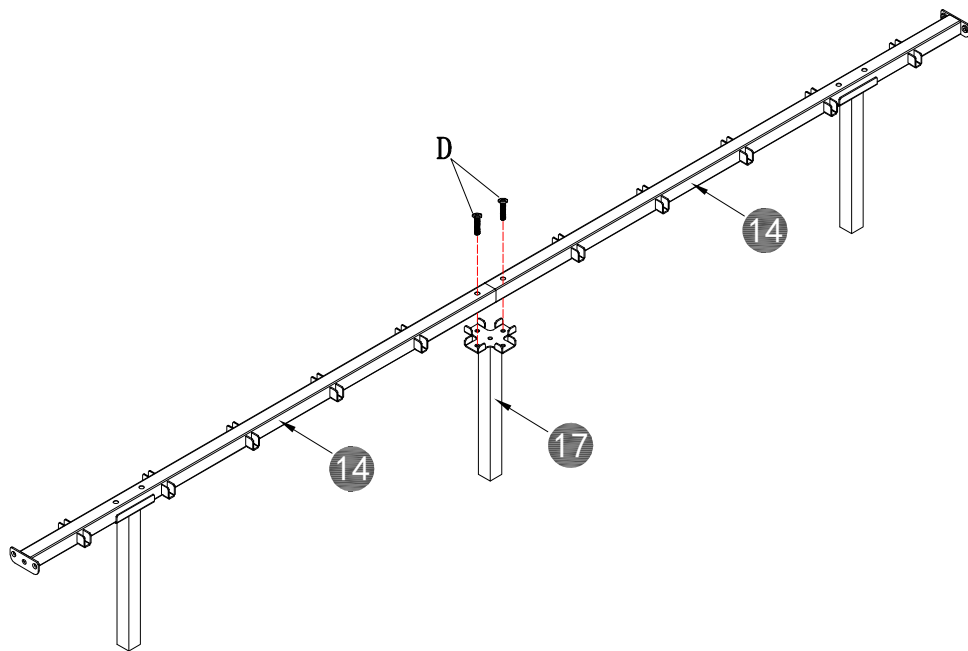
# ASSEMBLY INSTRUCTIONS

5



D		4PCS
I		

6

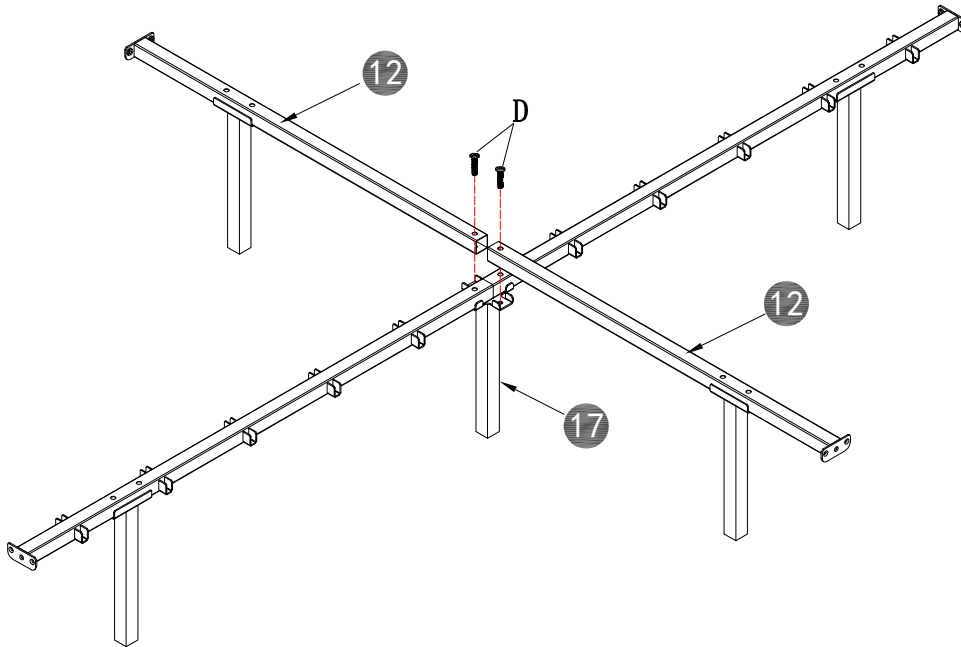




D		2PCS
I		



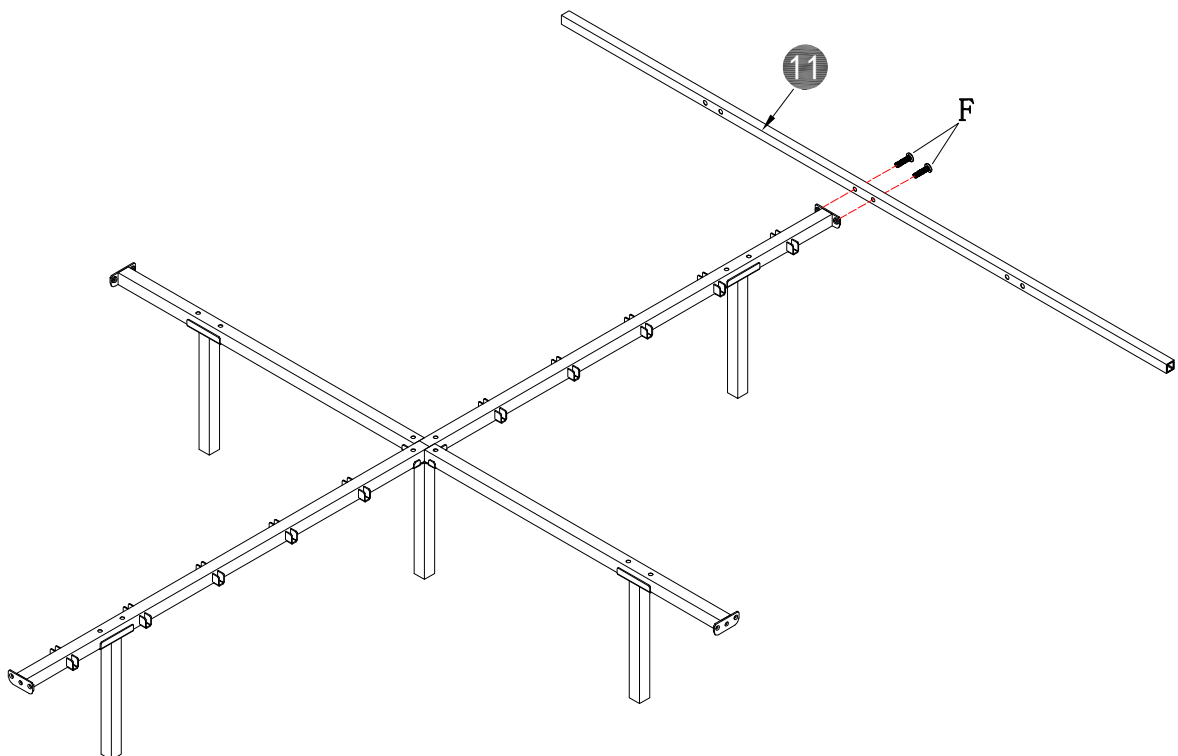
# ASSEMBLY INSTRUCTIONS



7



D		2PCS
I		

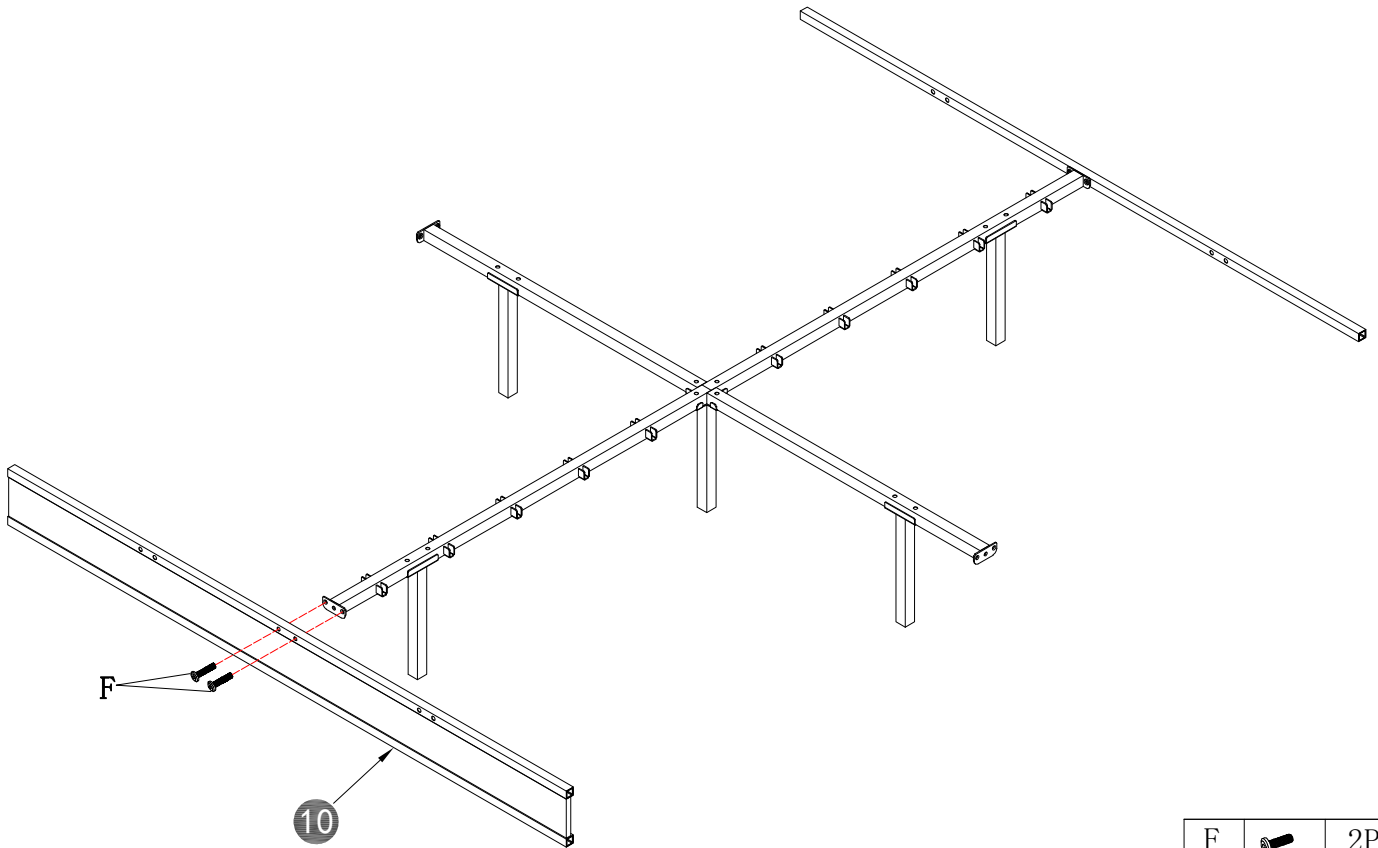
8





F		2PCS
I		

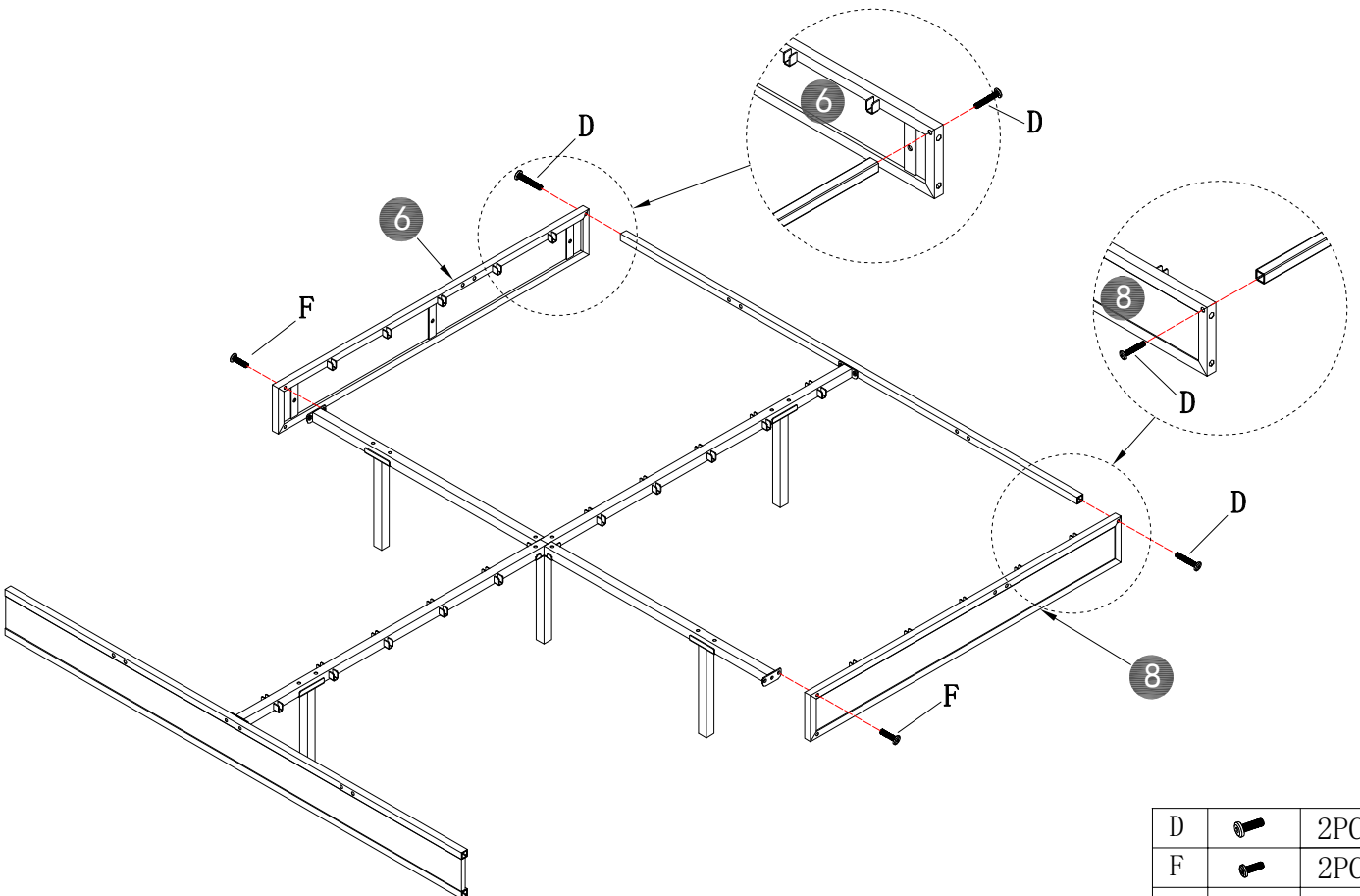
# ASSEMBLY INSTRUCTIONS



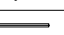
9



F		2PCS
I		

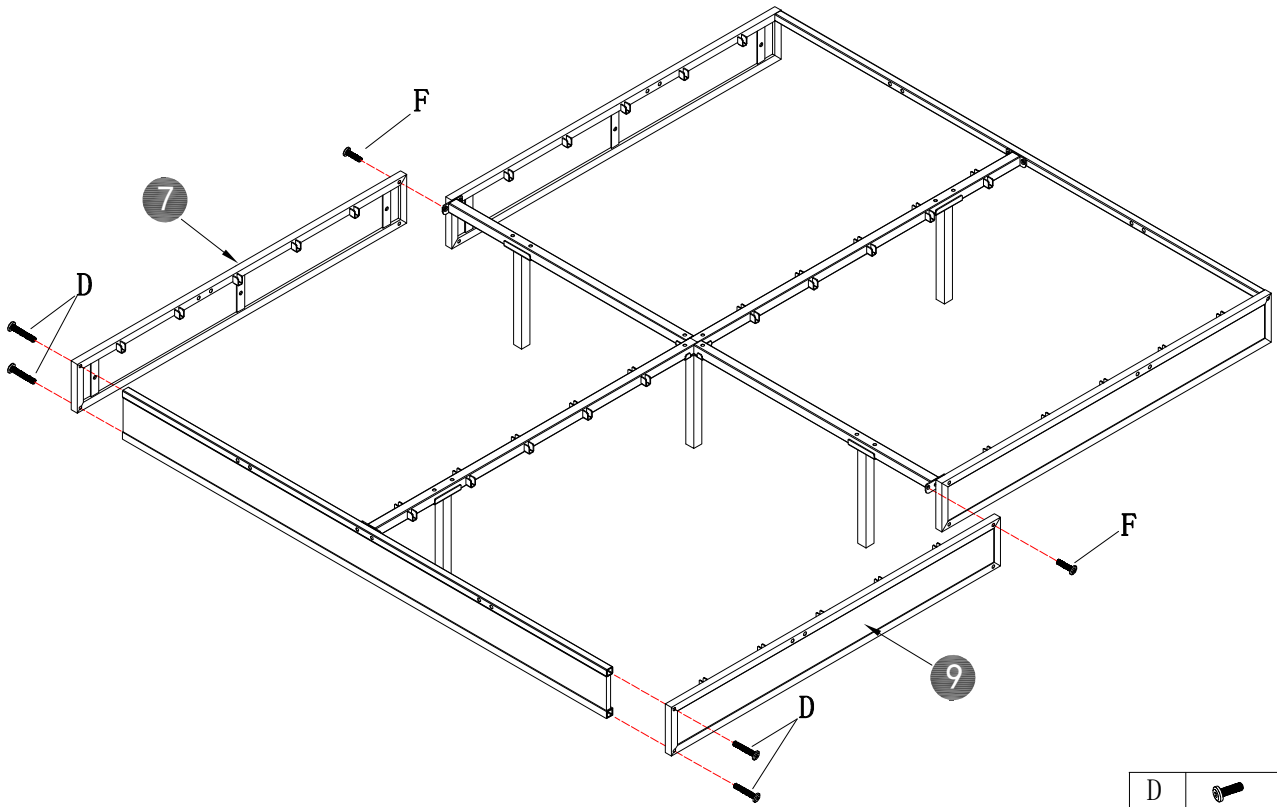
10



D		2PCS
F		2PCS
I		

# ASSEMBLY INSTRUCTIONS

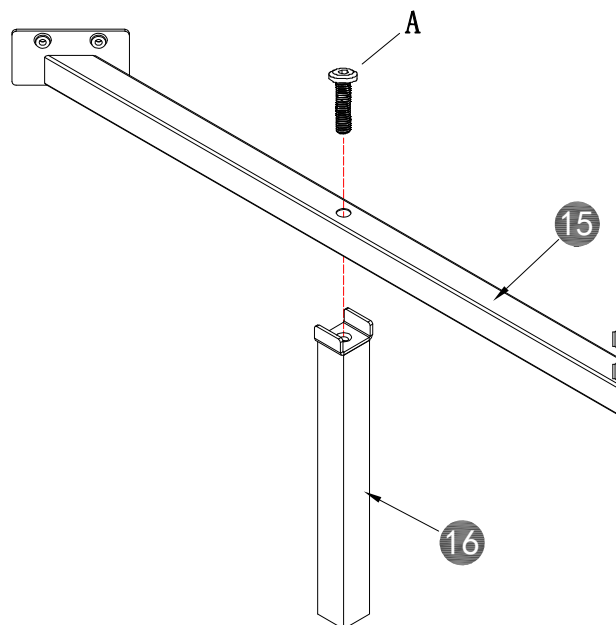
11



D		4PCS
F		2PCS
I		

x4

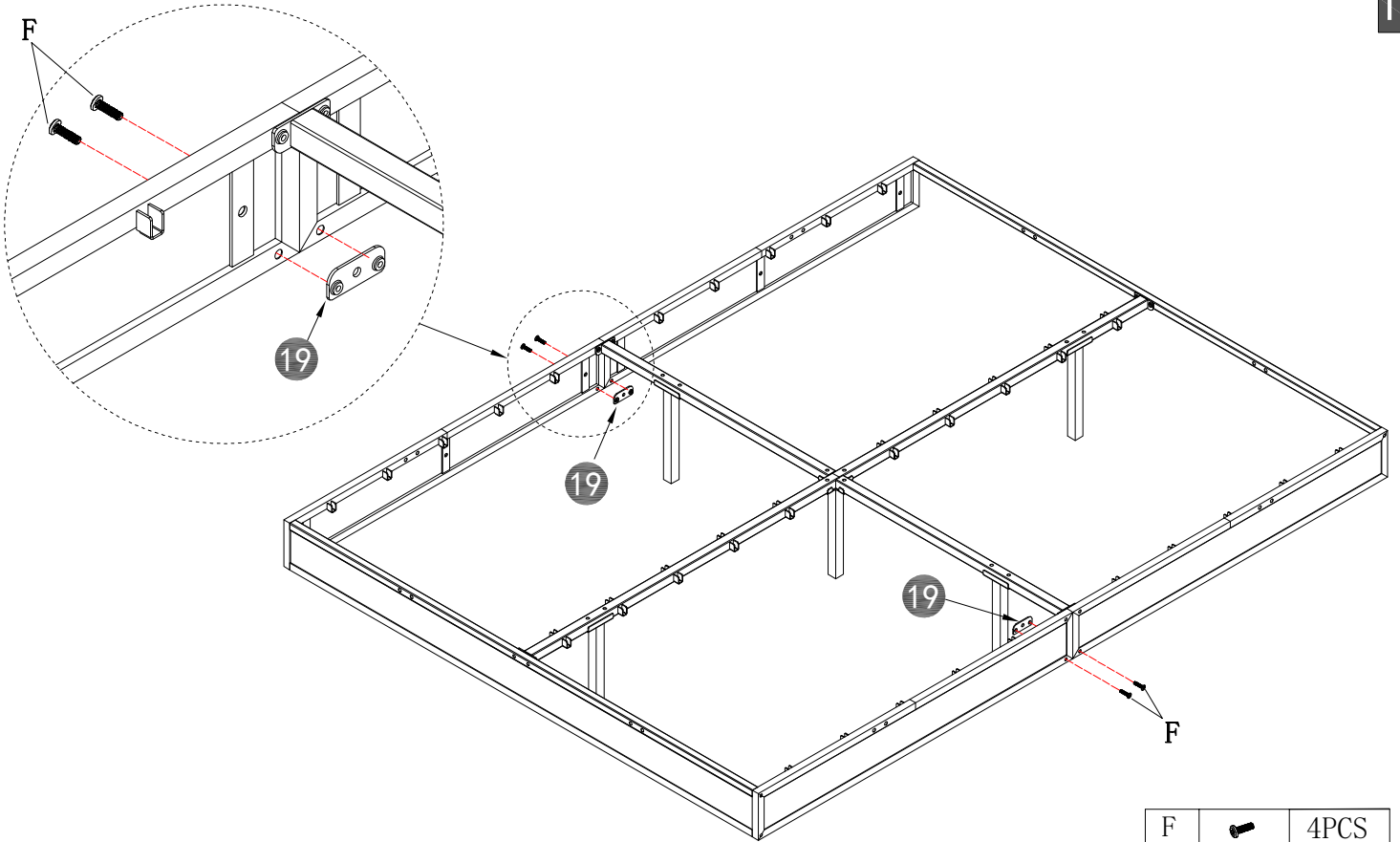
12





A		4PCS
I		

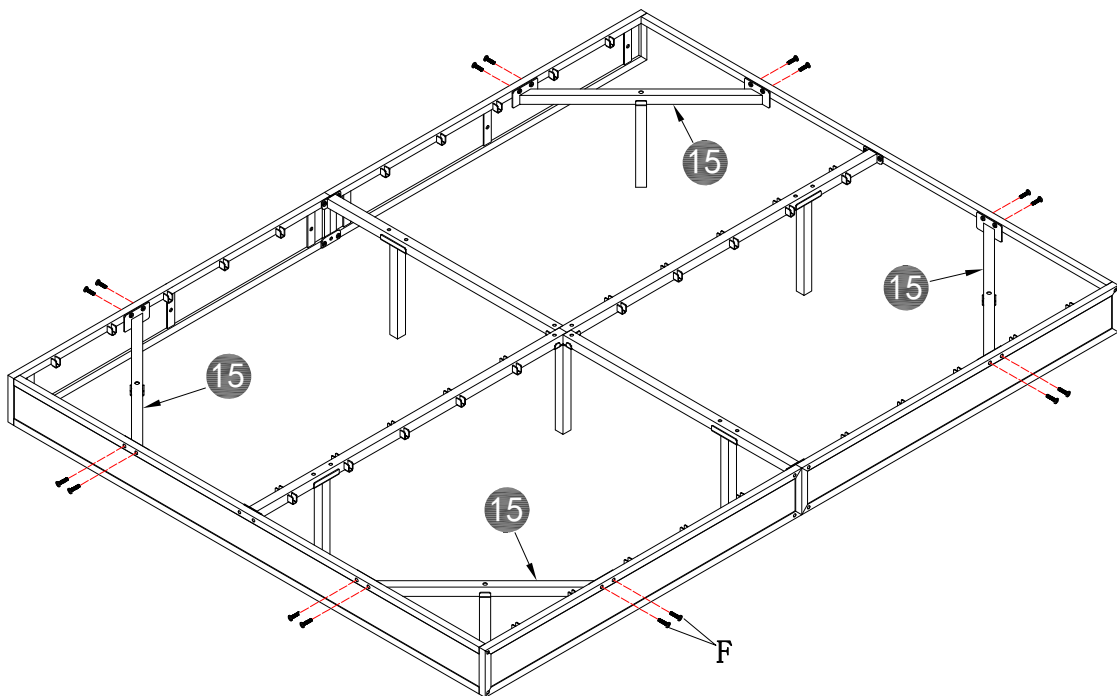
# ASSEMBLY INSTRUCTIONS



13



F		4PCS
I		

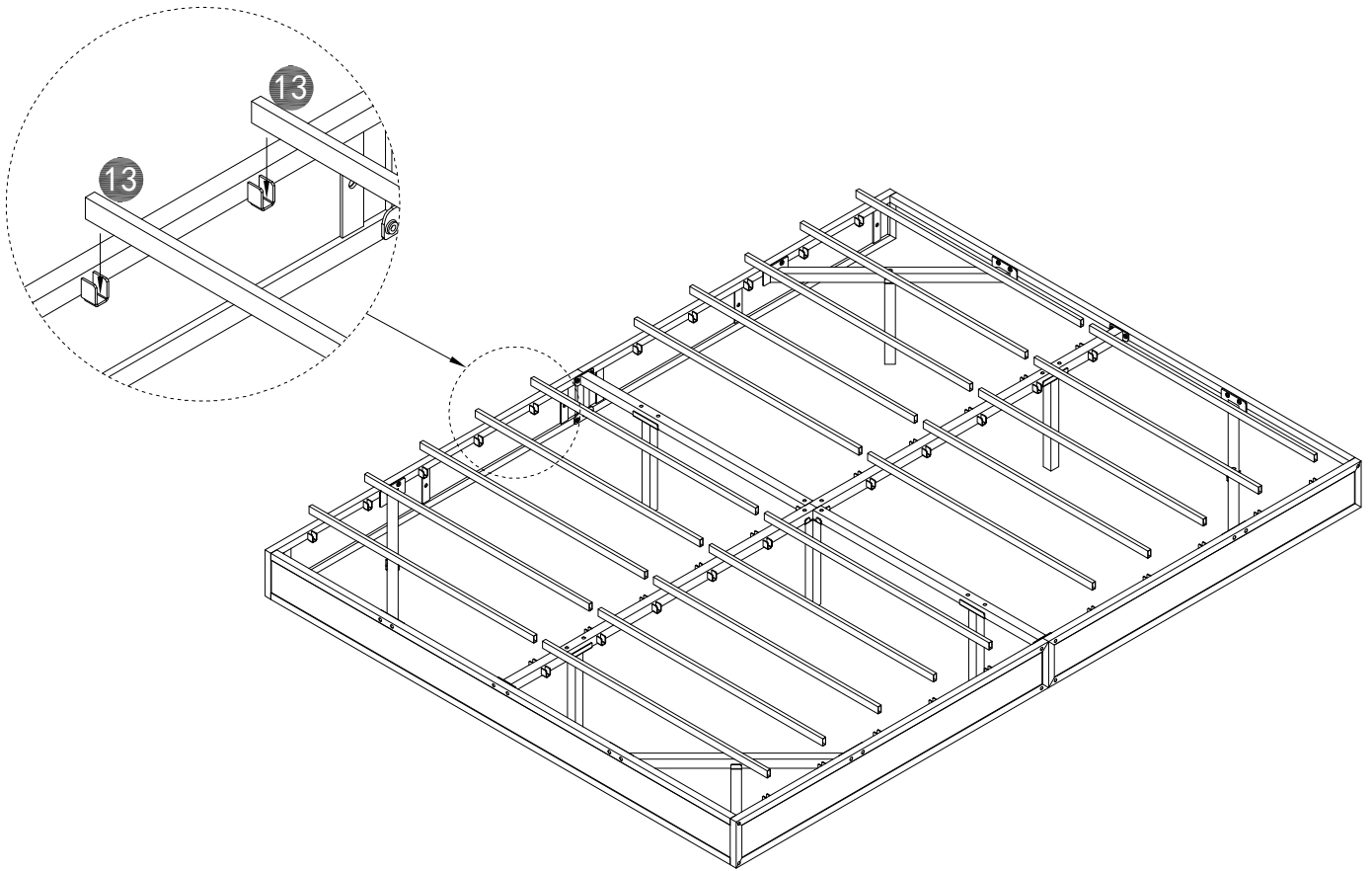
14



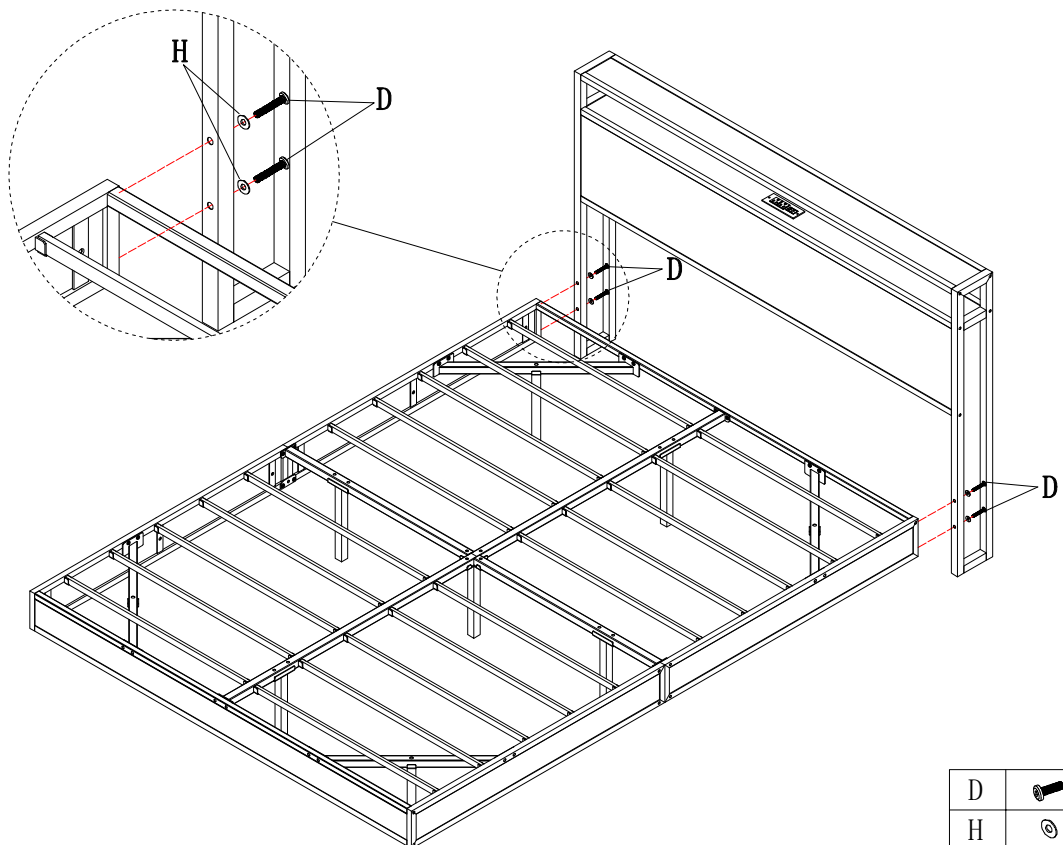
F		16PCS
I		




# ASSEMBLY INSTRUCTIONS

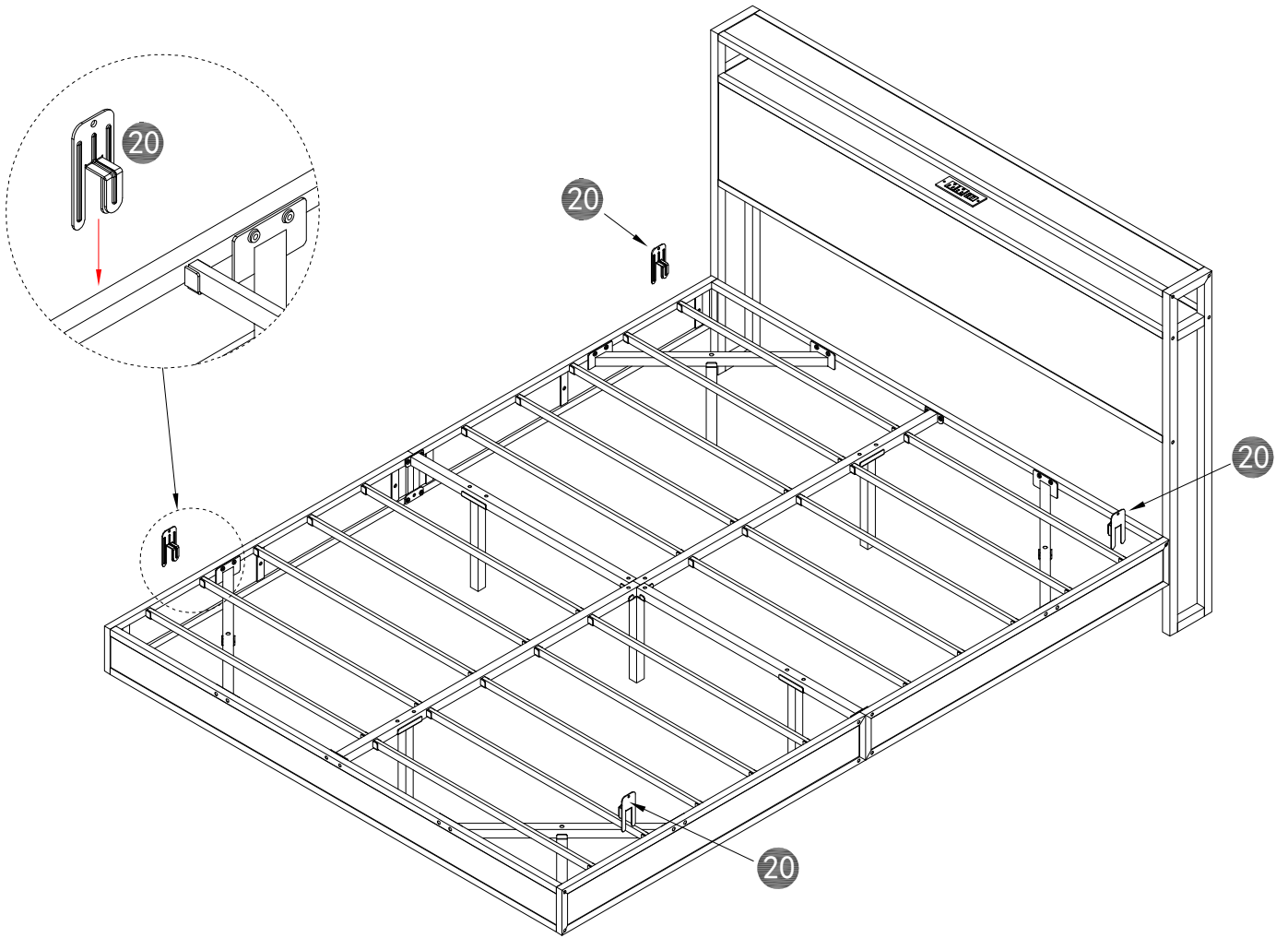
15



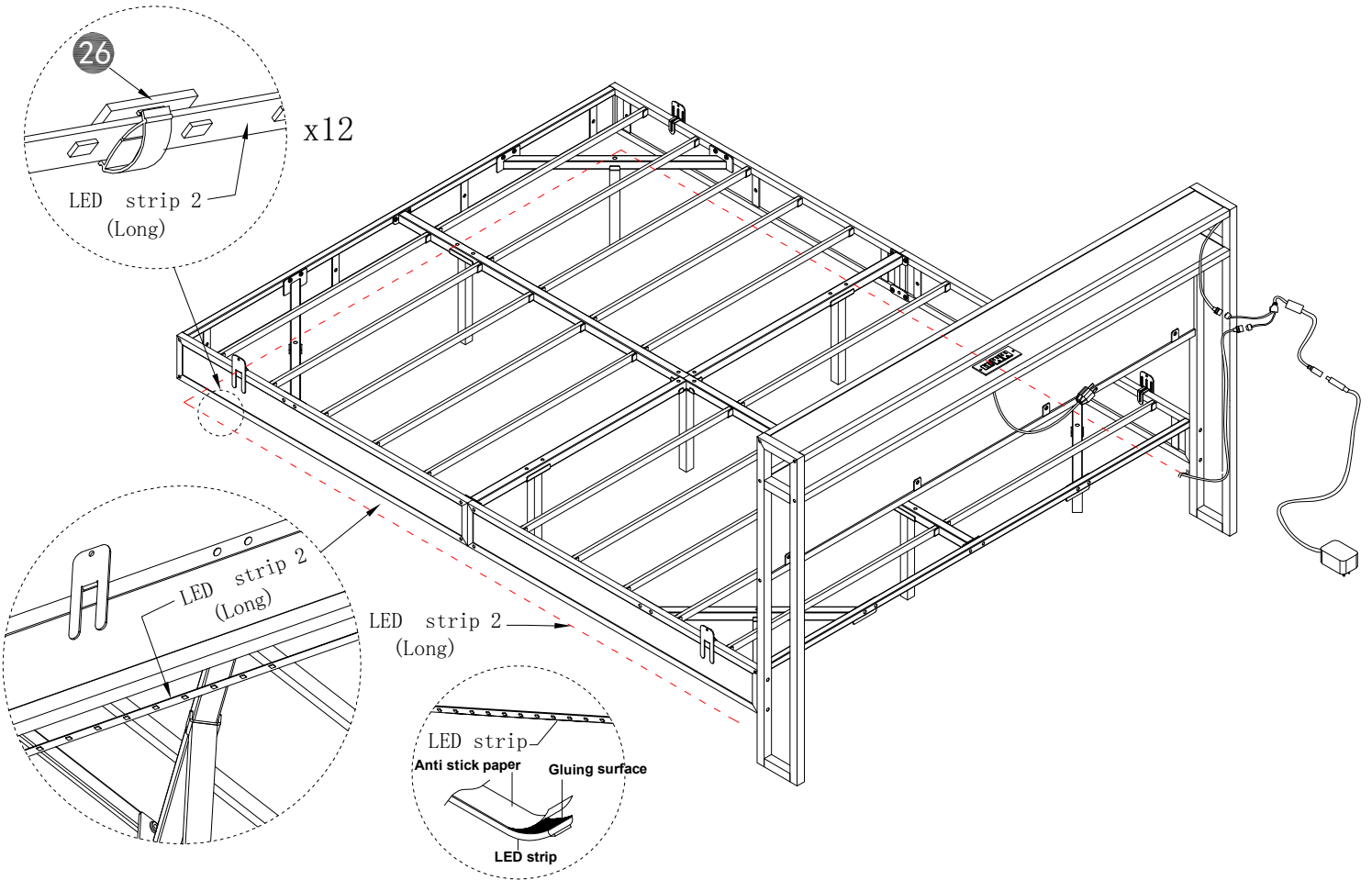
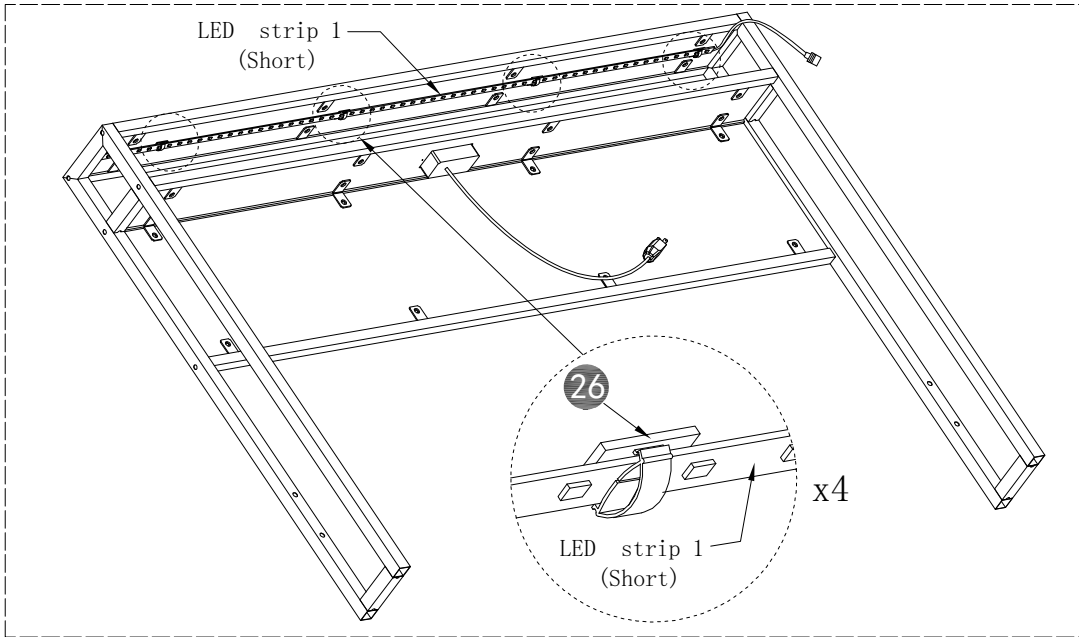
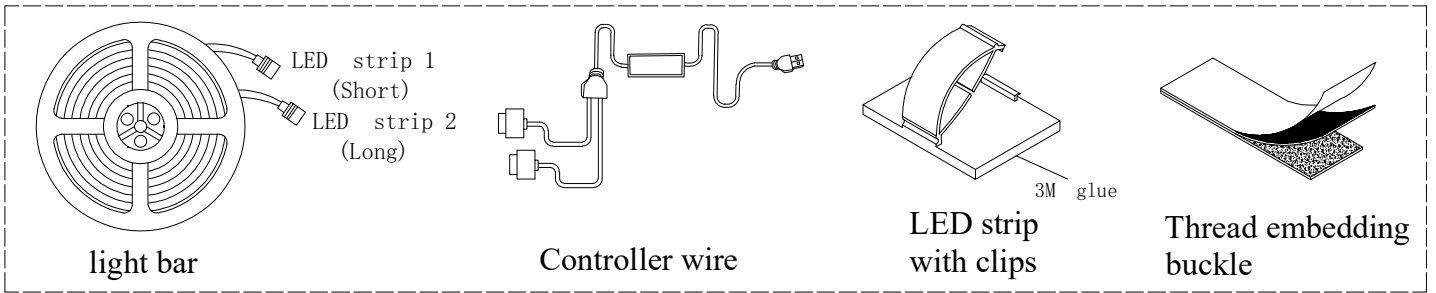
16



D		4PCS
H		4PCS
I		



## DIY LED



## DIY LED

