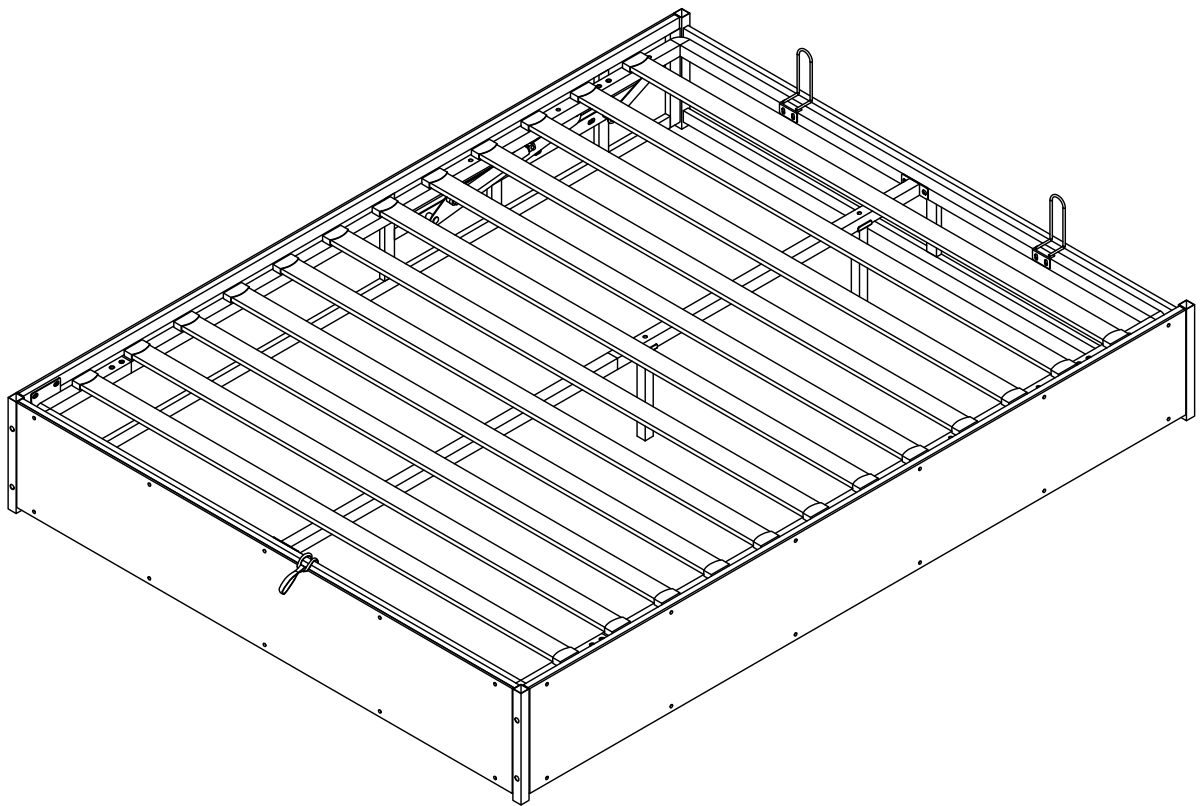


# Lift Up Storage Platform Bed Frame

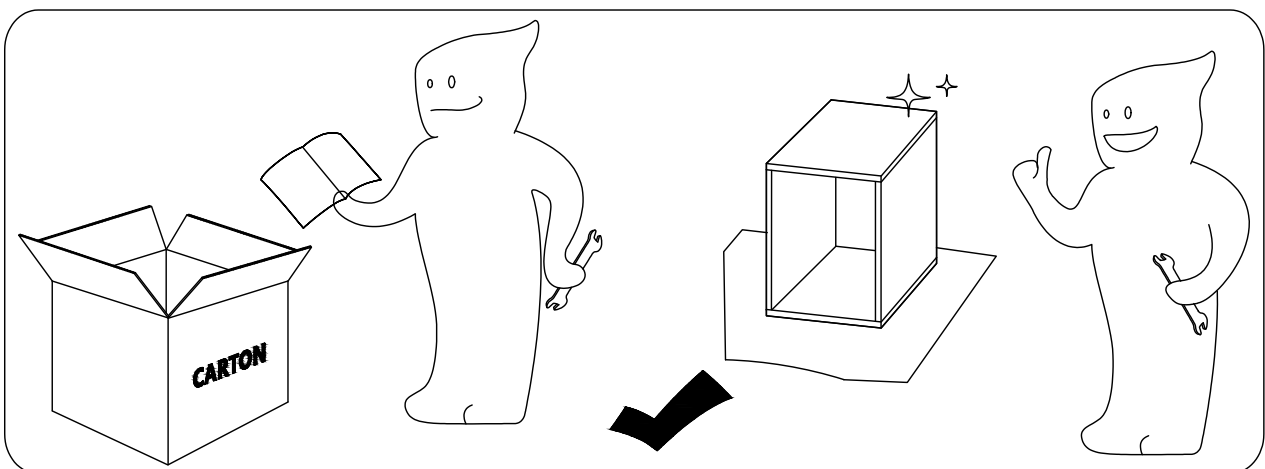
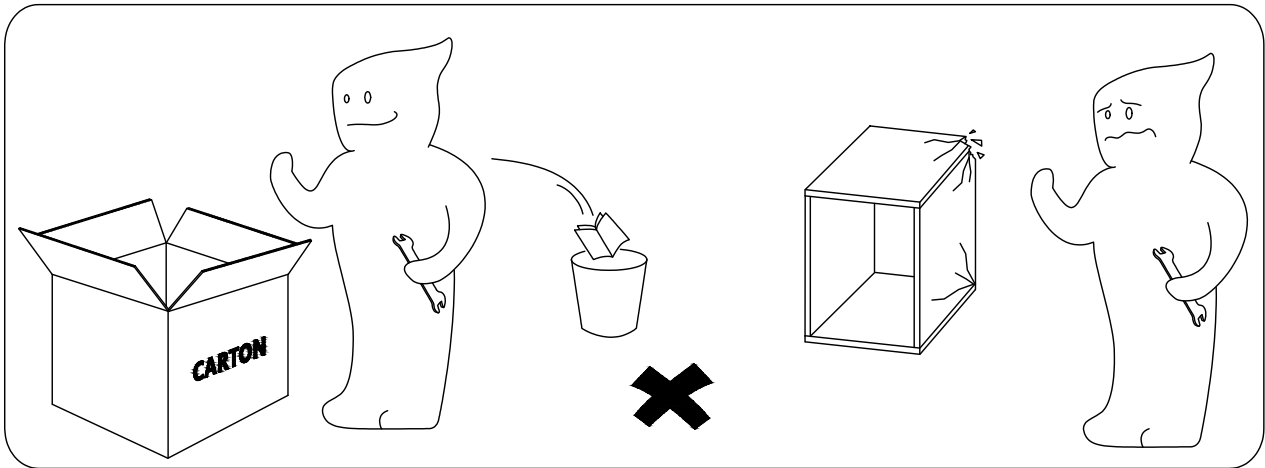


**BMB017 - Q**

Dear Customers,  
Thank you for purchasing our product. Please read this instruction manual carefully after receiving this product. It will help you assemble this product quickly, safely and correctly. You can keep this manual for future reference.

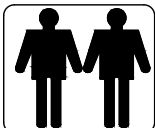
# ! IMPORTANT

Please follow the instruction manuals and use a pad to protect the product during your assembly.

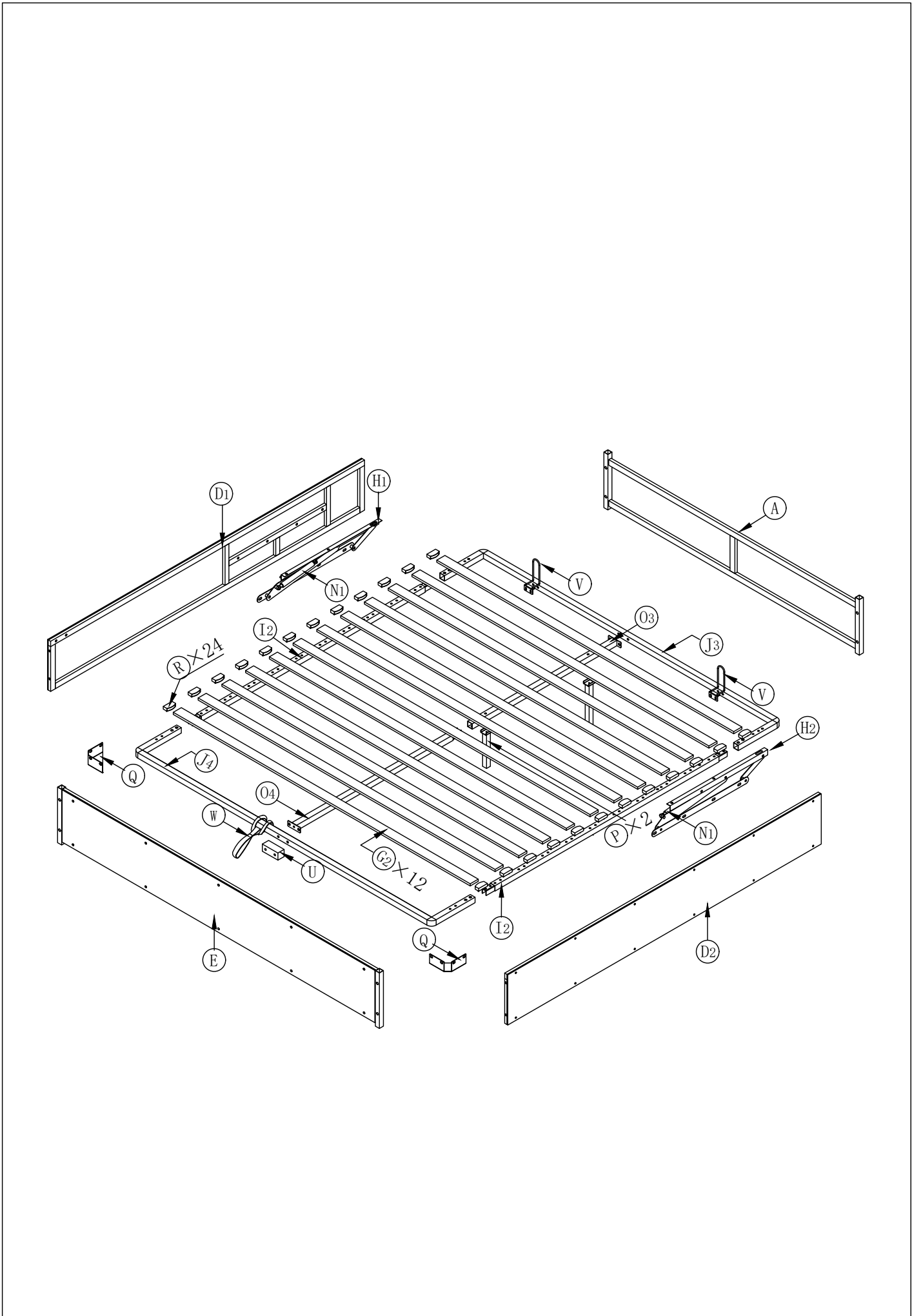


Note:

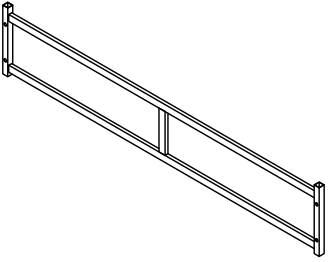
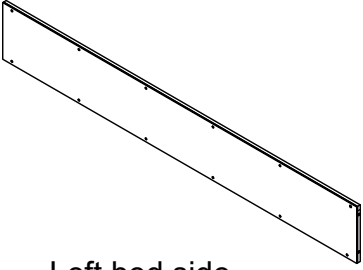
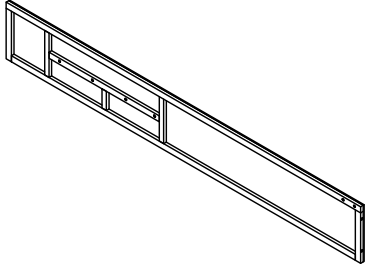
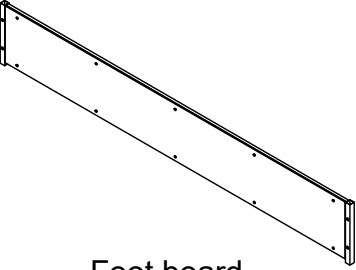
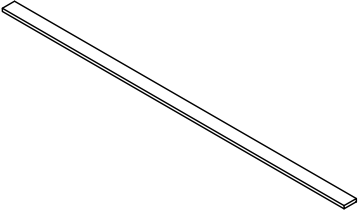
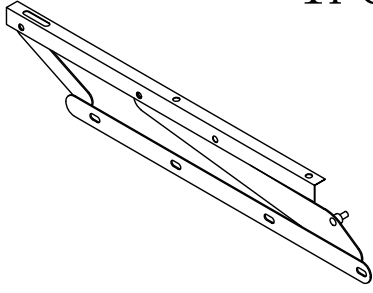
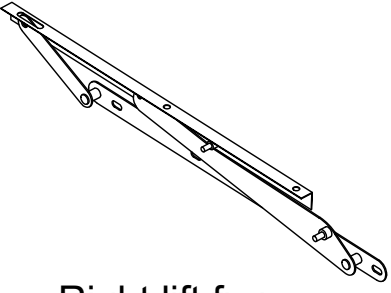
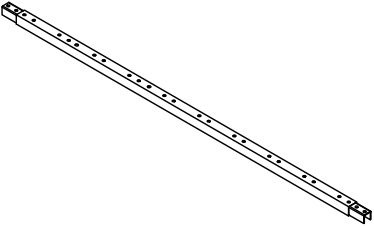
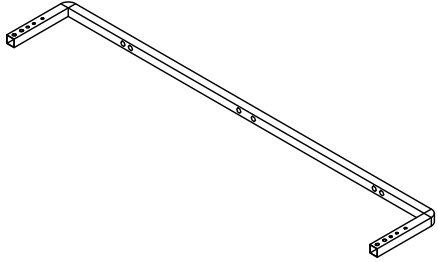
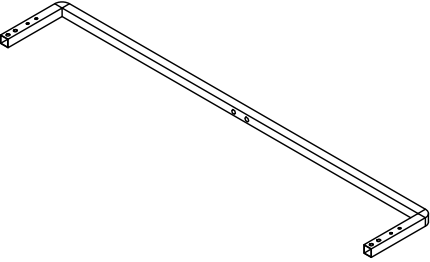
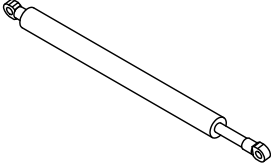
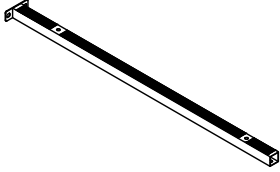
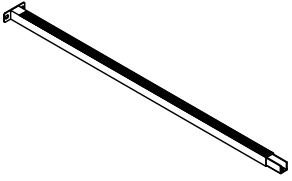
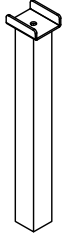
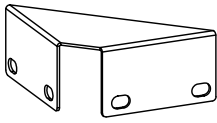
1. Should be assembled on flat ground to keep balance.
2. Before completing the installation, do not tighten the screws.



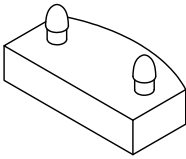
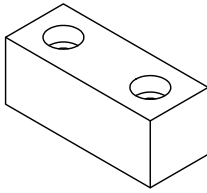
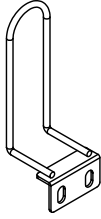
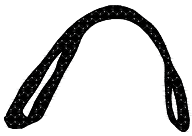
For easier and better assembly, 2 or more adults are required.



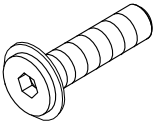
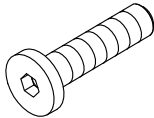
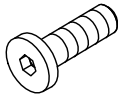
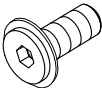
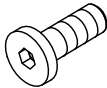
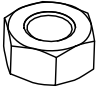
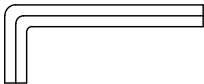
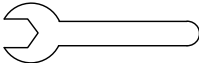
# Part list

<p>A 1PC</p>  <p>Front headboard</p>	<p>D1 1PC</p>  <p>Left bed side</p>	<p>D2 1PC</p>  <p>Right bed side</p>
<p>E 1PC</p>  <p>Foot board</p>	<p>G2 12PCS</p>  <p>Slat</p>	<p>H1 1PC</p>  <p>Left lift frame</p>
<p>H2 1PC</p>  <p>Right lift frame</p>	<p>I2 2PCS</p>  <p>Hydraulic rod</p>	<p>J3 1PC</p>  <p>Front middle support bar</p>
<p>J4 1PC</p>  <p>Rear middle support bar</p>	<p>N1 2PCS</p>  <p>Support leg</p>	<p>O3 1PC</p>  <p>Support leg</p>
<p>O4 1PC</p>  <p>Support leg</p>	<p>P 2PCS</p>  <p>Support leg</p>	<p>Q 2PCS</p>  <p>Support leg</p>

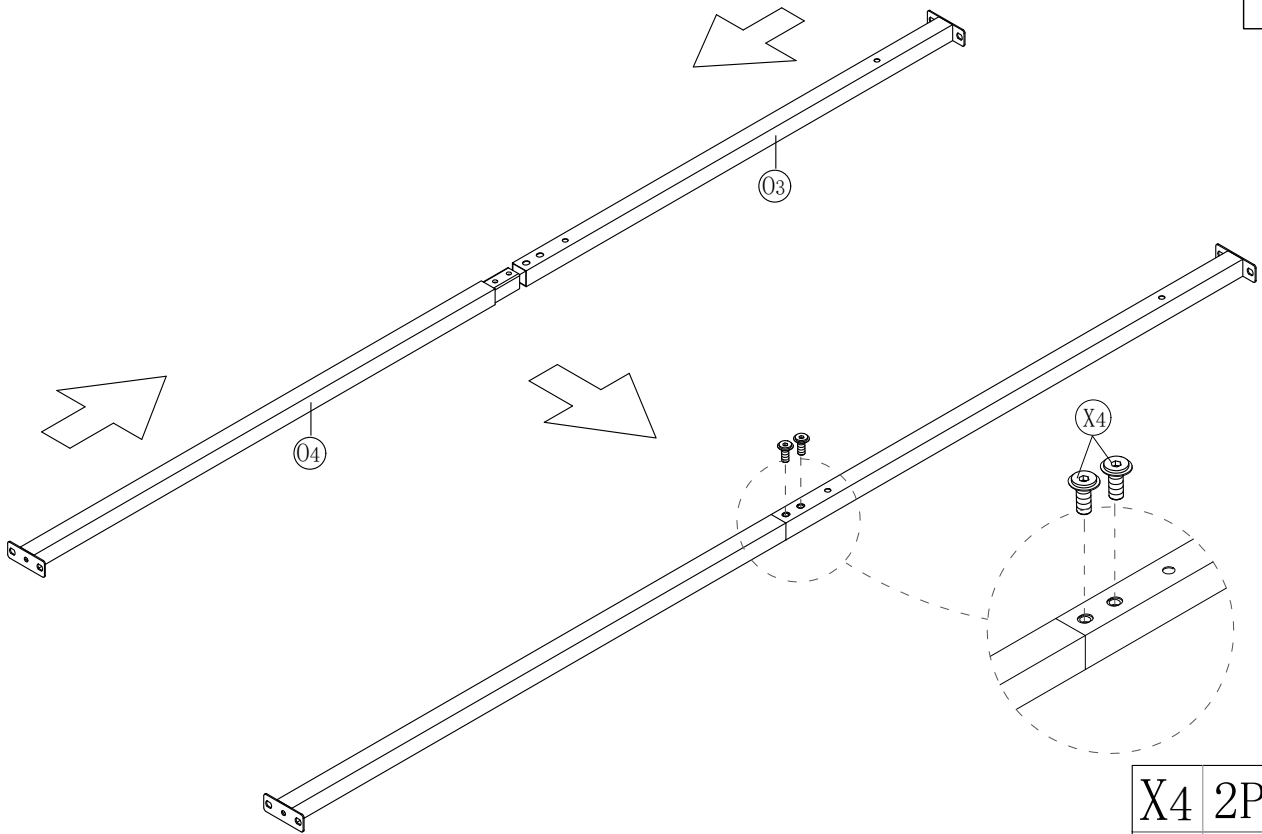
# Part list


R	24PCS	U	1PC	V	2PCS
					
W	1PC				
					

# Hardware list

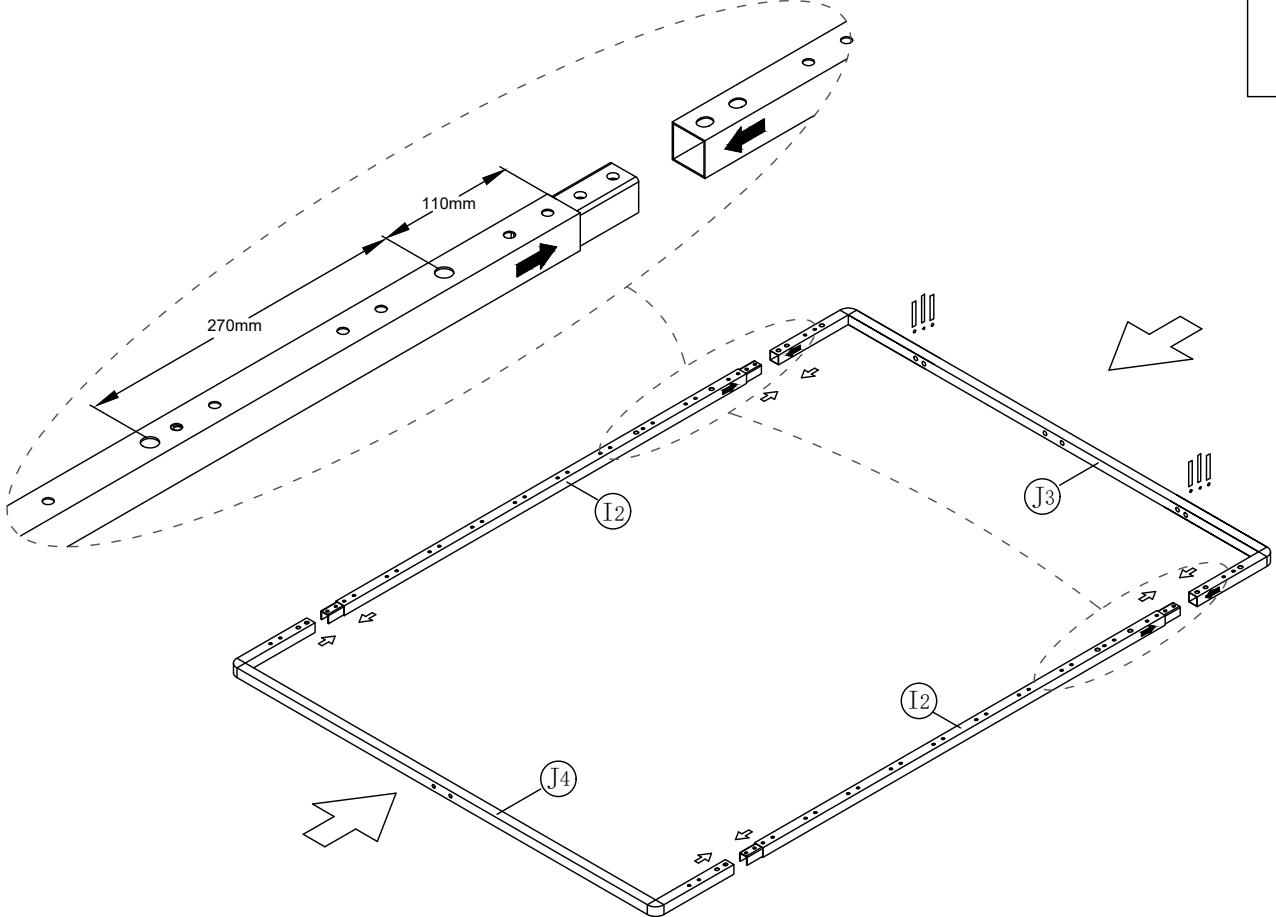
X1	16PCS	X2	2PCS	X3	8PCS
 M8*45mm		 M8*40mm		 M8*30mm	
X4	18PCS	X5	8PCS	Y	10PCS
 M8*16mm		 M8*16mm		 M8	
Z1	1PC	Z2	1PC		
 M8 Spanner		 M8 Spanner			

1

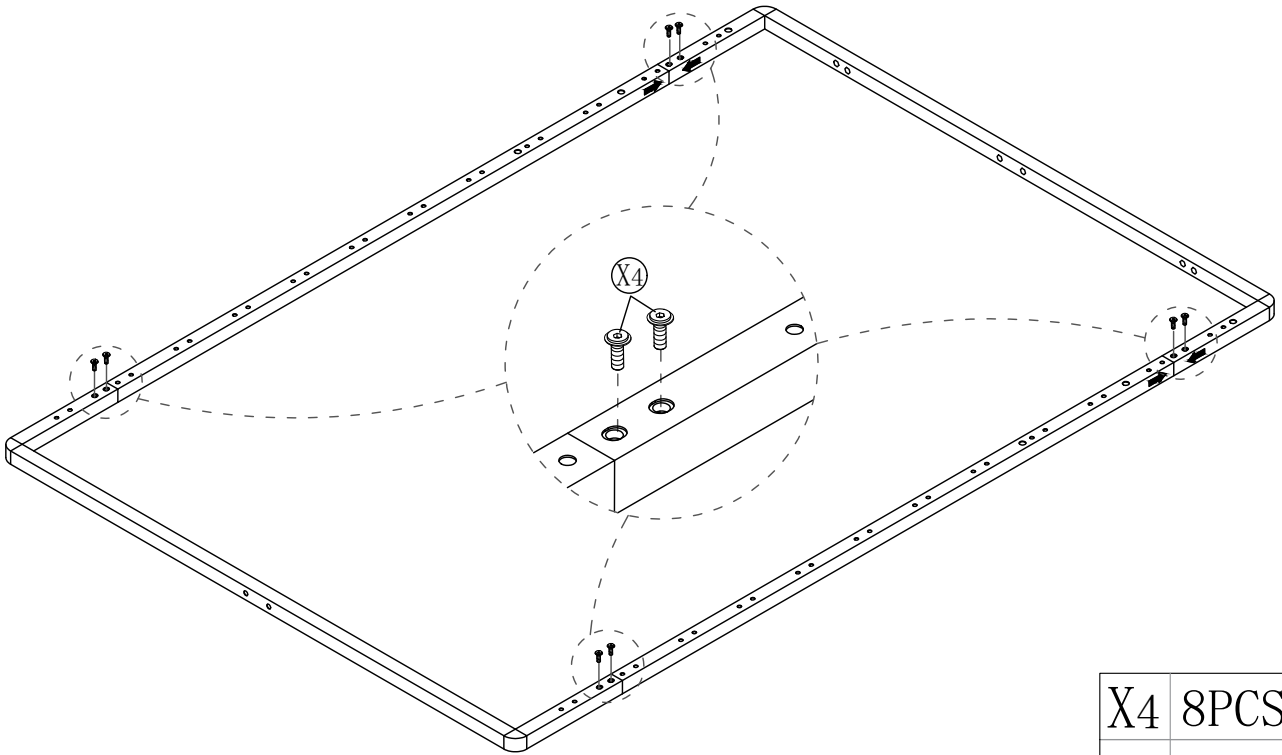



X4	2PCS
	M8*16mm

2

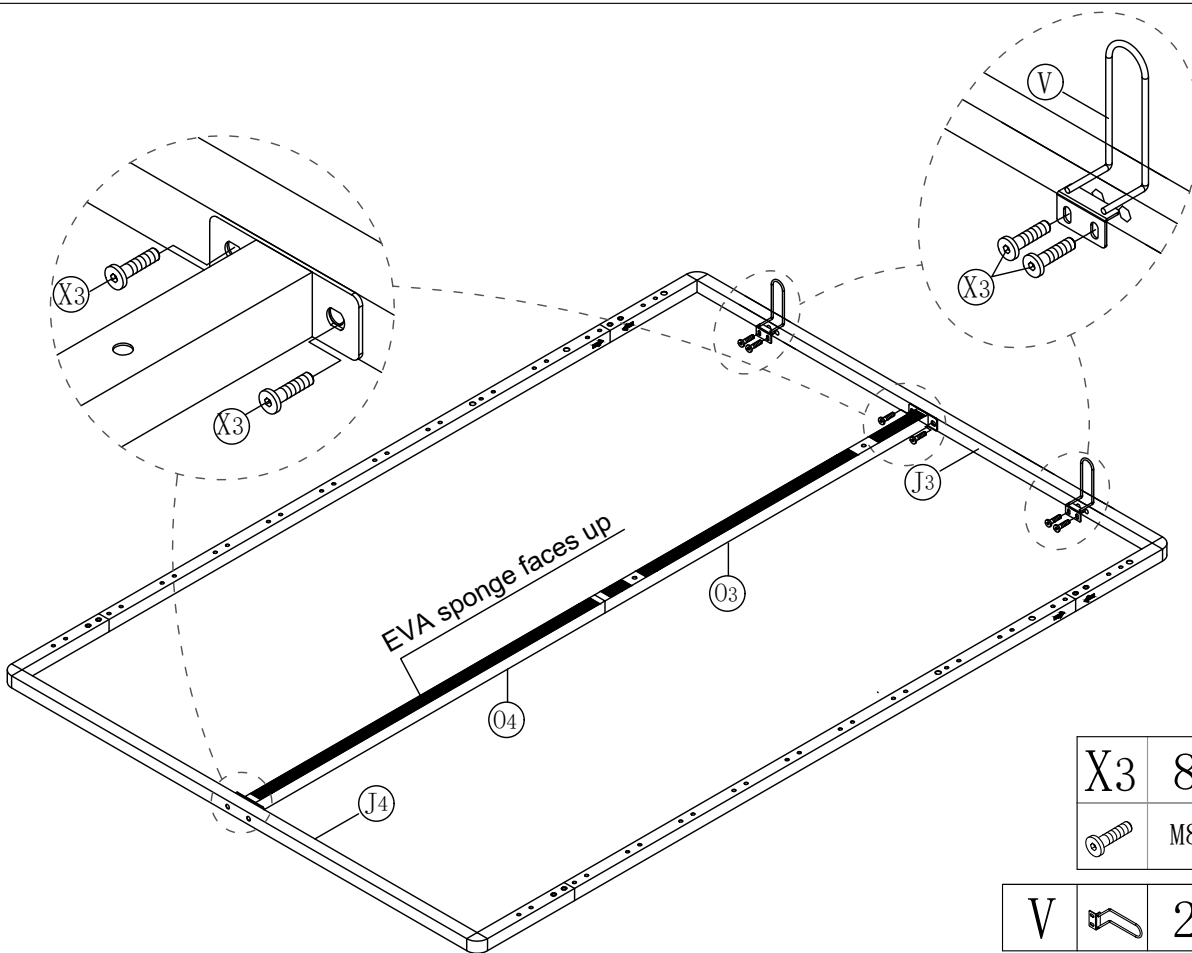



3




X4	8PCS
	M8*16mm

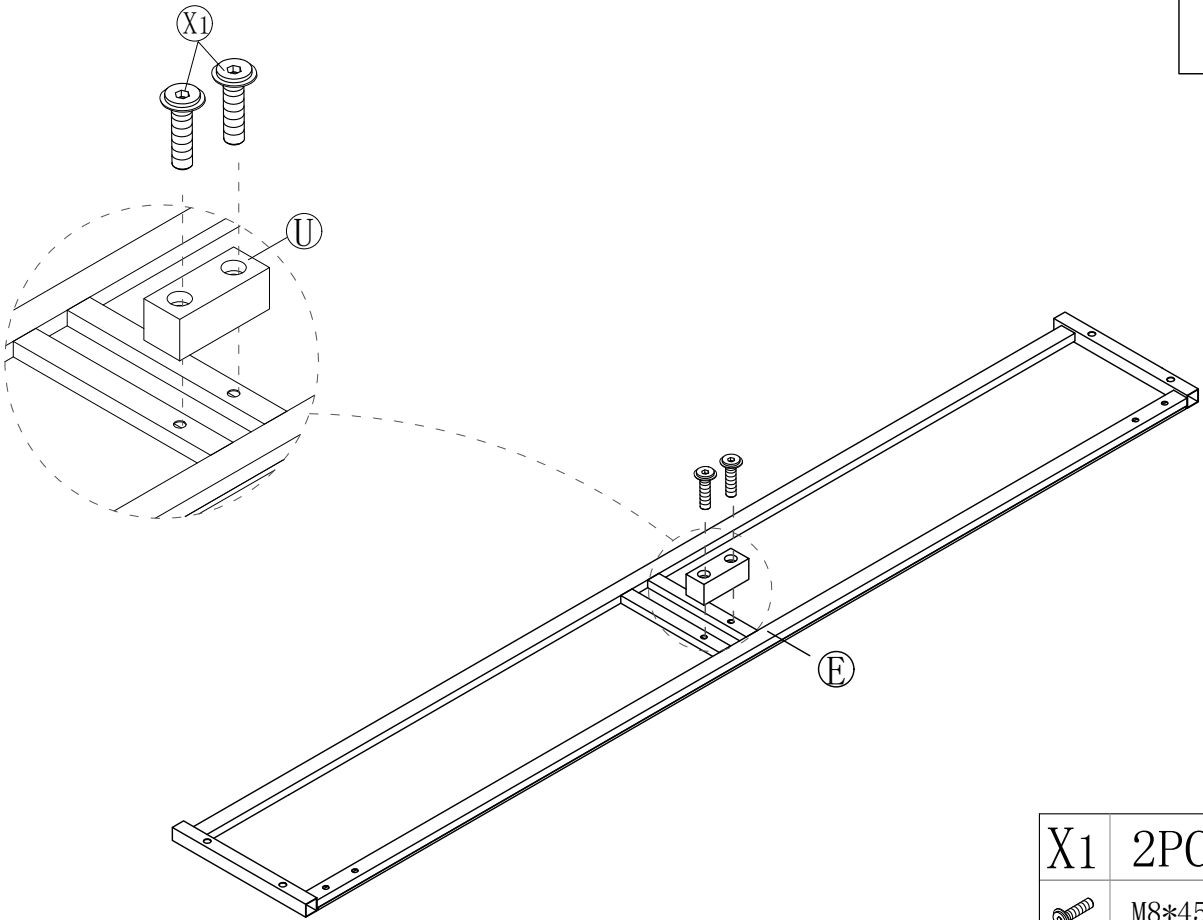
4




X3	8PCS
	M8*30mm

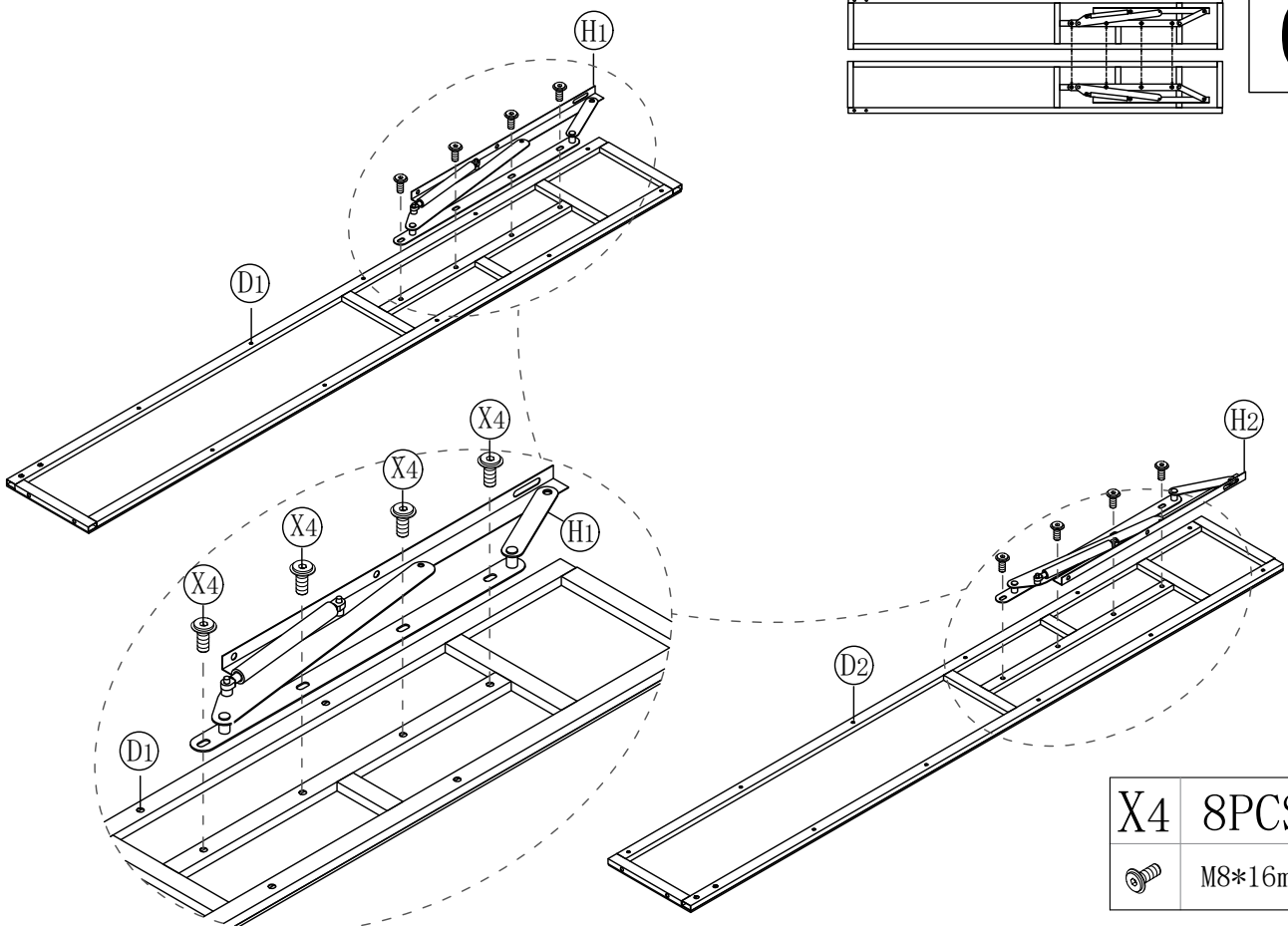
V		2PCS
---	---	------

5



X1	2PCS
	M8*45mm

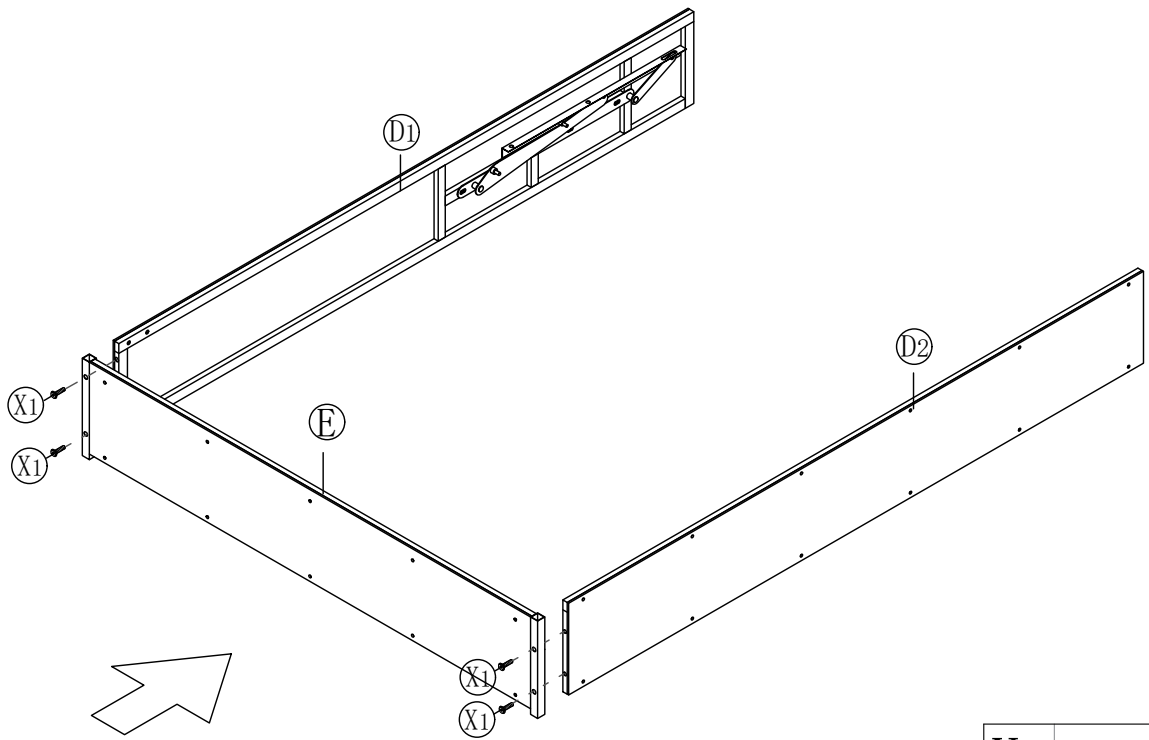
6




X4	8PCS
	M8*16mm

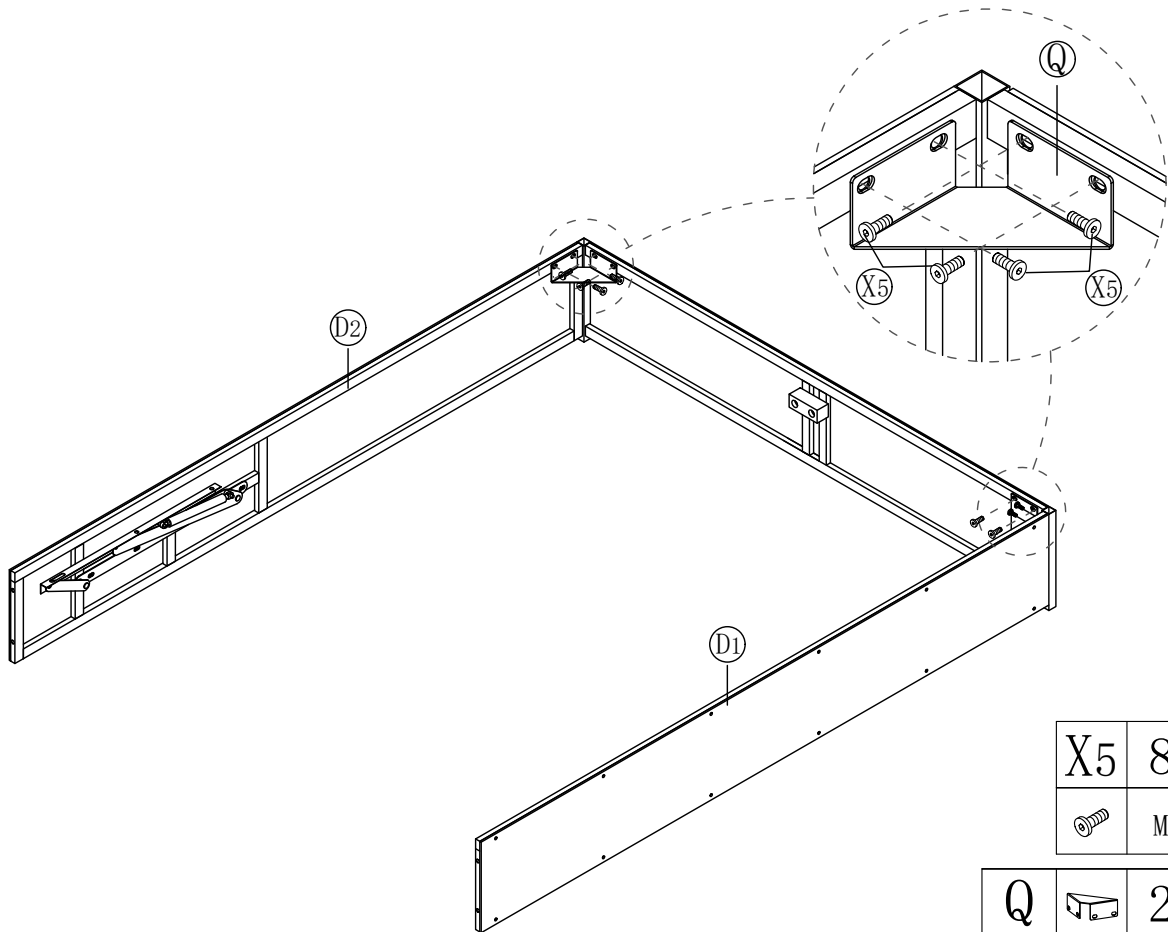



7




X1	4PCS
	M8*45mm

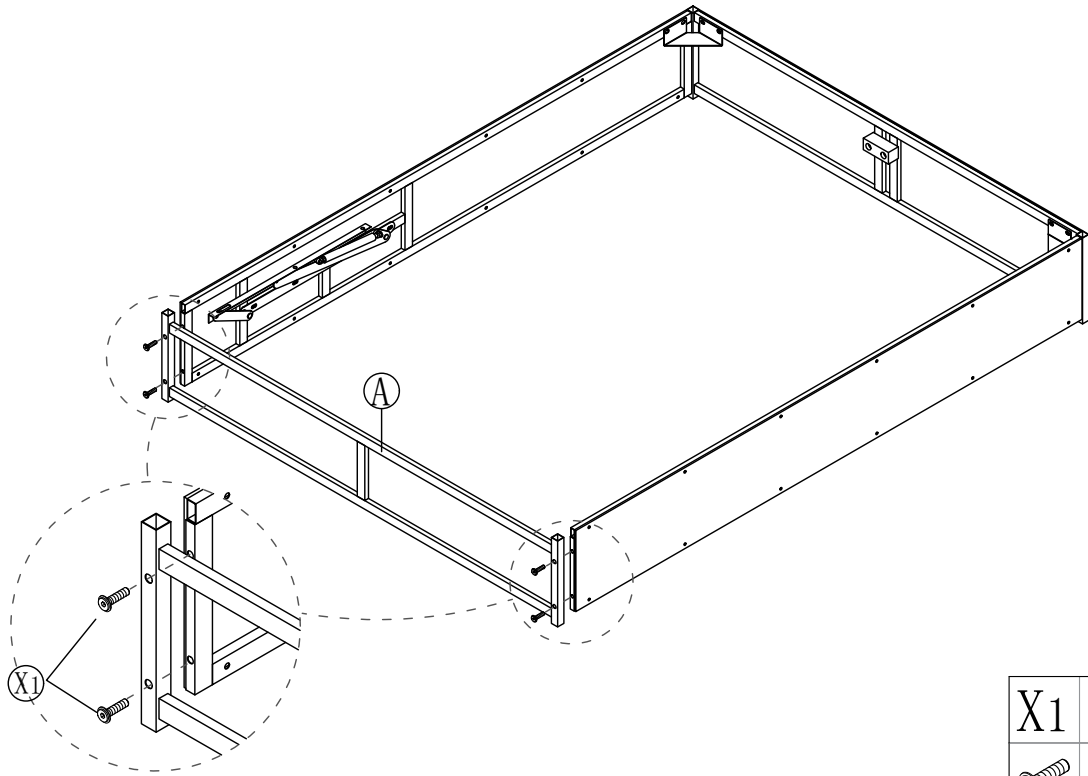
8




X5	8PCS
	M8*16mm

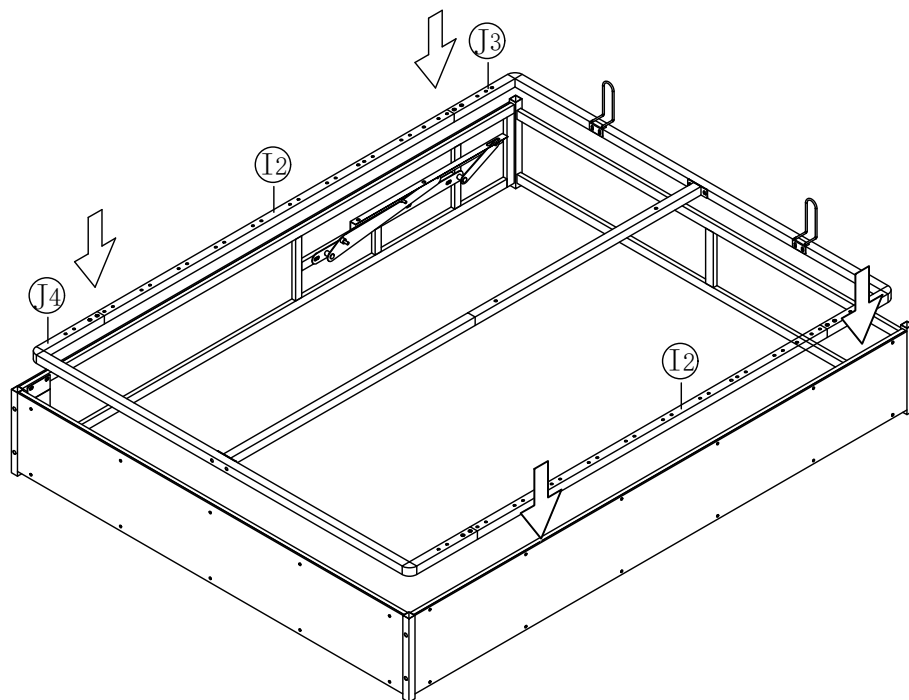
Q		2PCS
---	---	------

9

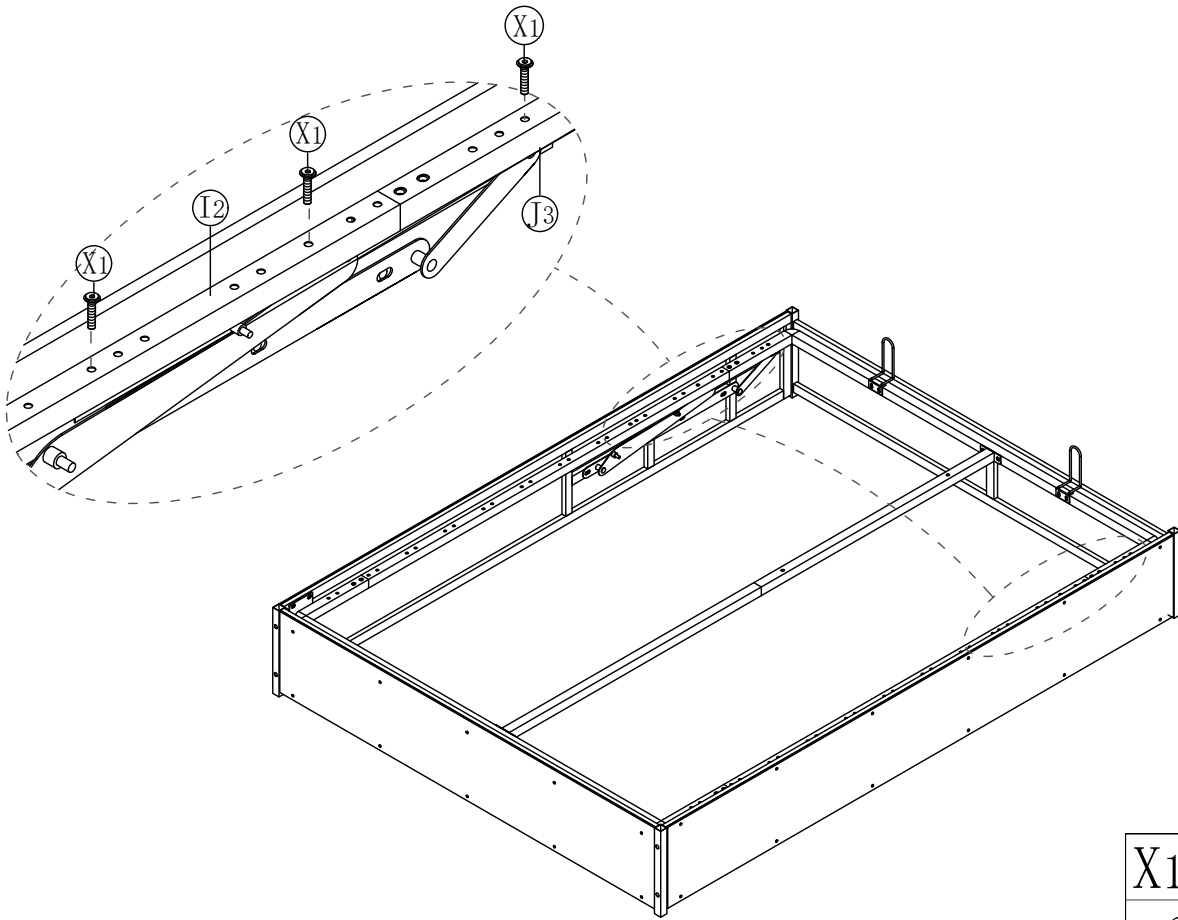



X1	4PCS
	M8*45mm

10

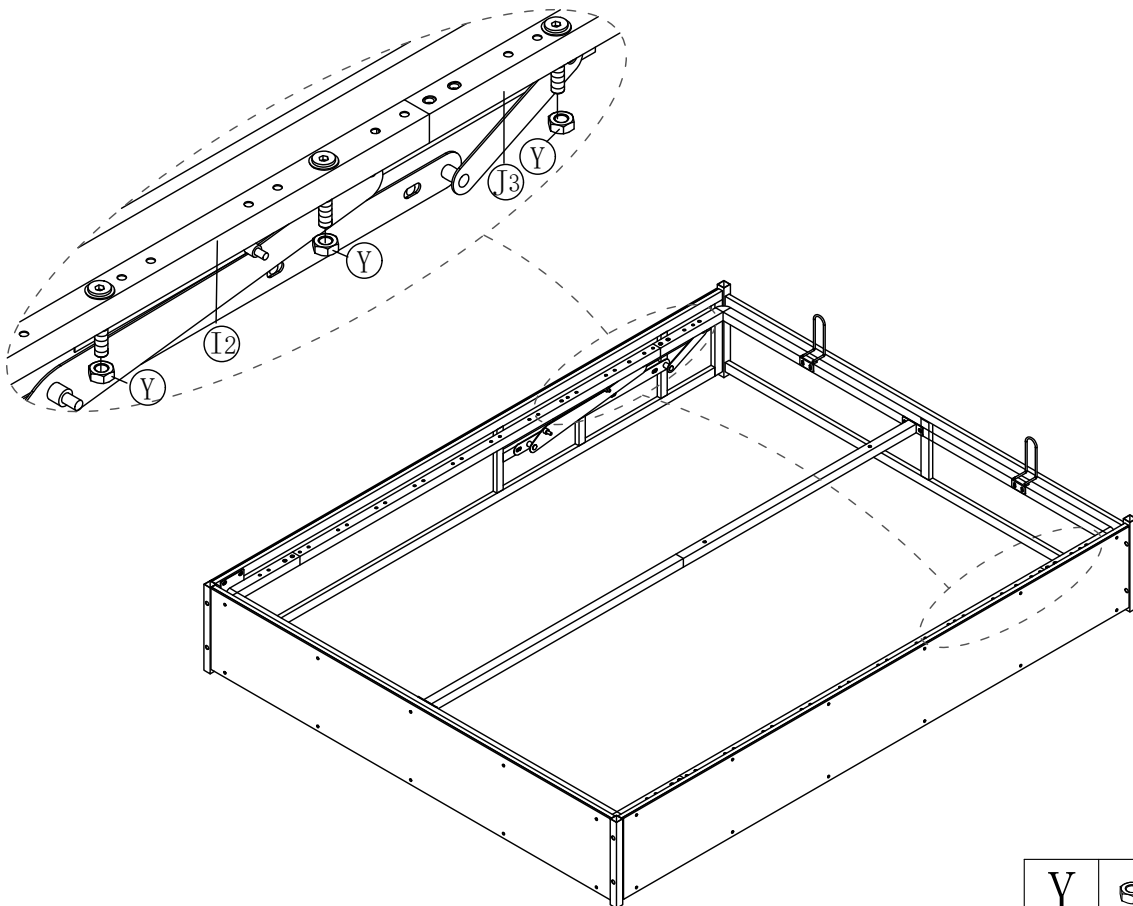


11



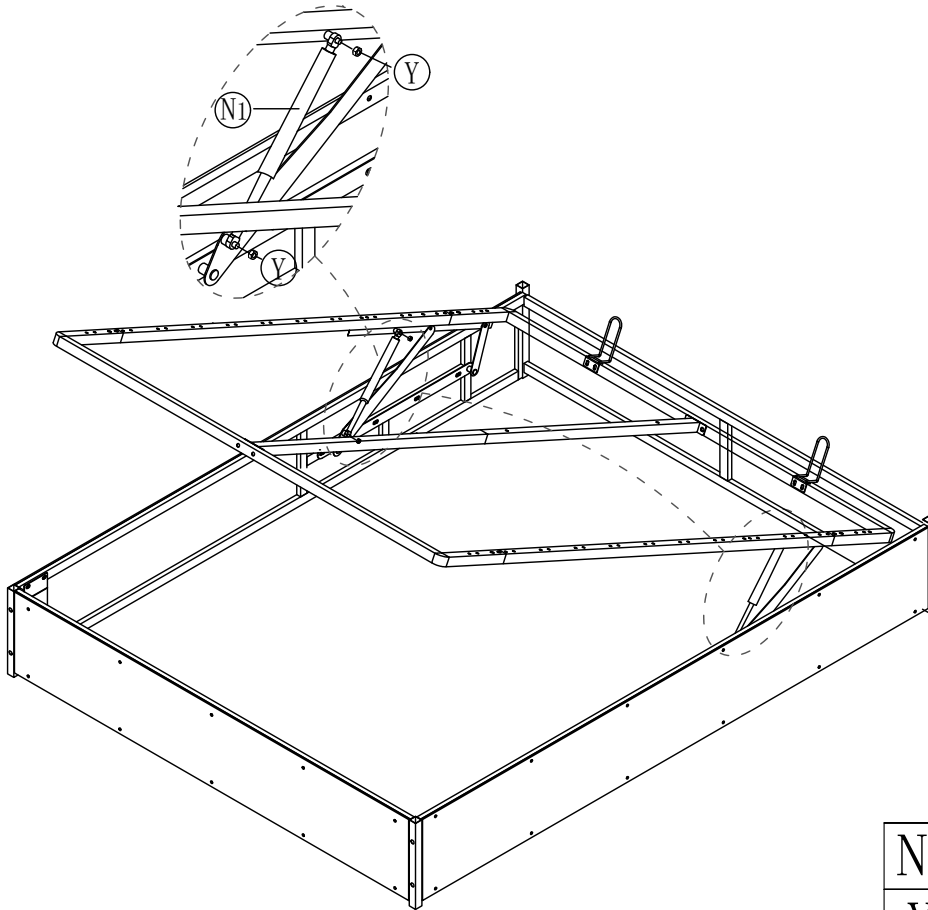
X1	6PCS
	M8*45mm

12





Y		6PCS
---	---	------

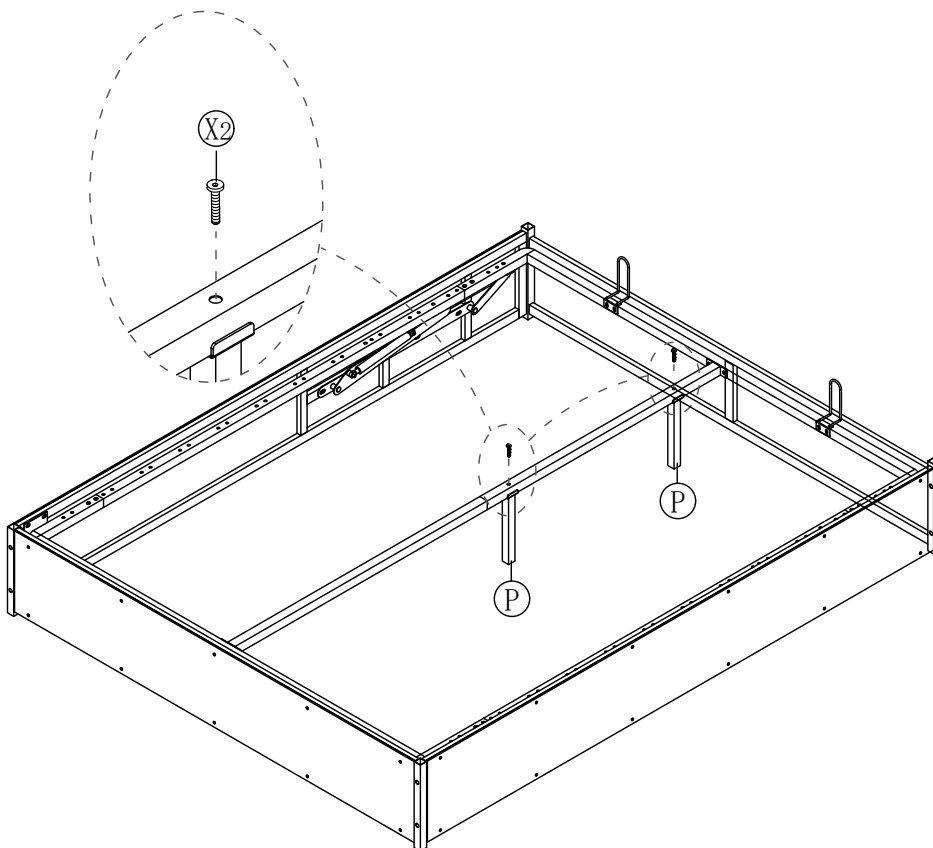
13




Lock all the screws.

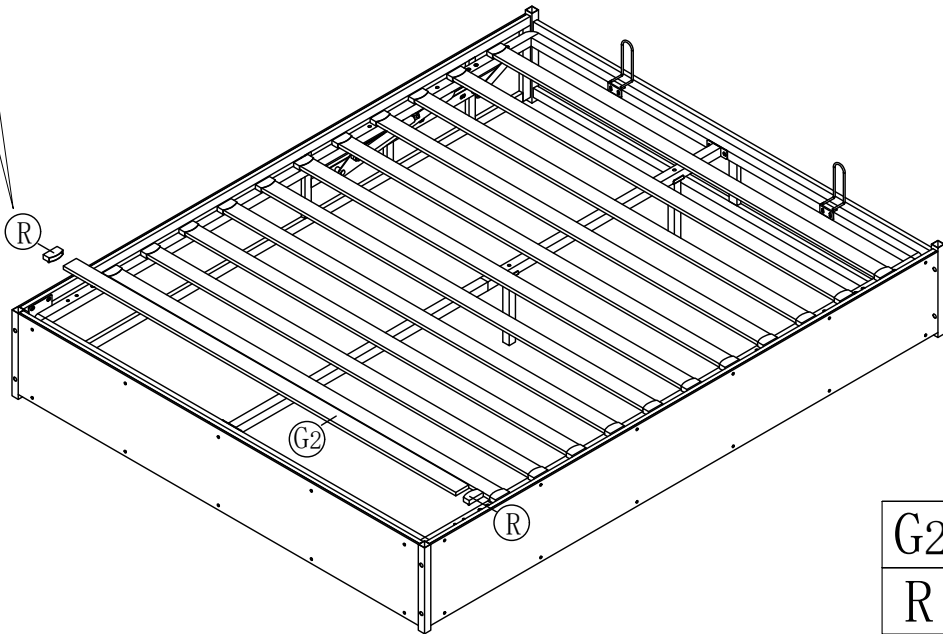
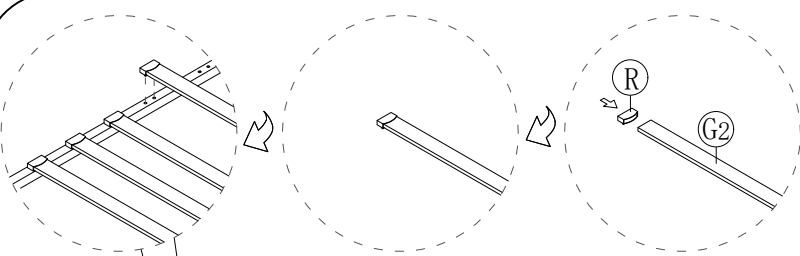
N1		2PCS
Y		4PCS


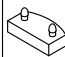
14



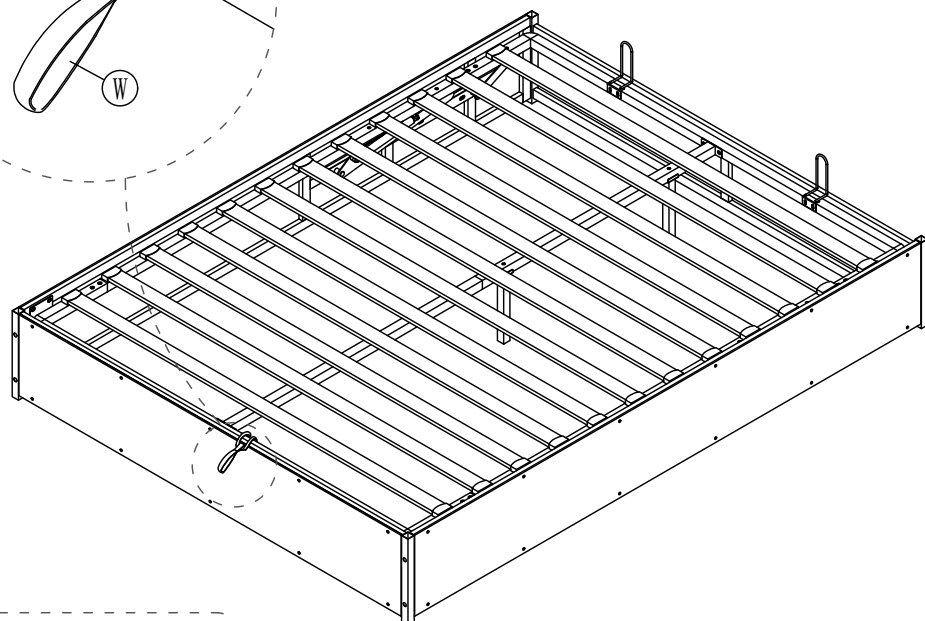
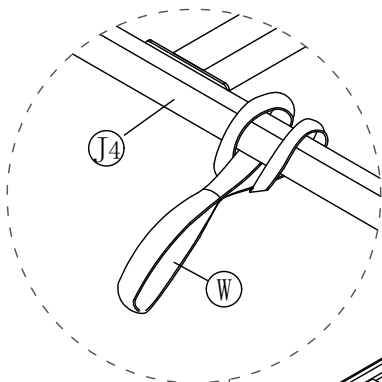
X2	2PCS
	M8*40mm

15



G2		12PCS
R		24PCS

16



**Installation Complete**