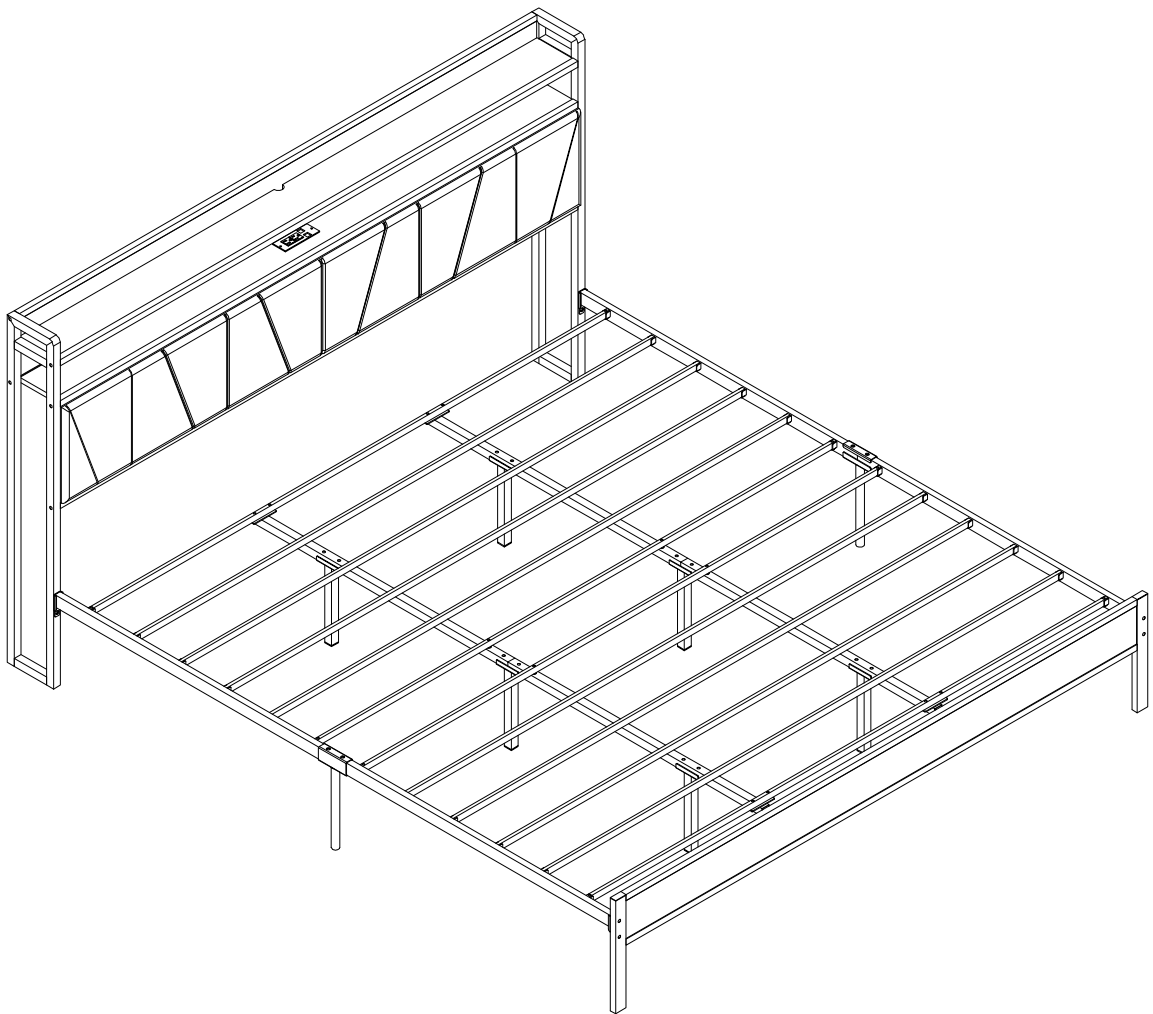


Metal Storage Bed Frame Assembly Instructions

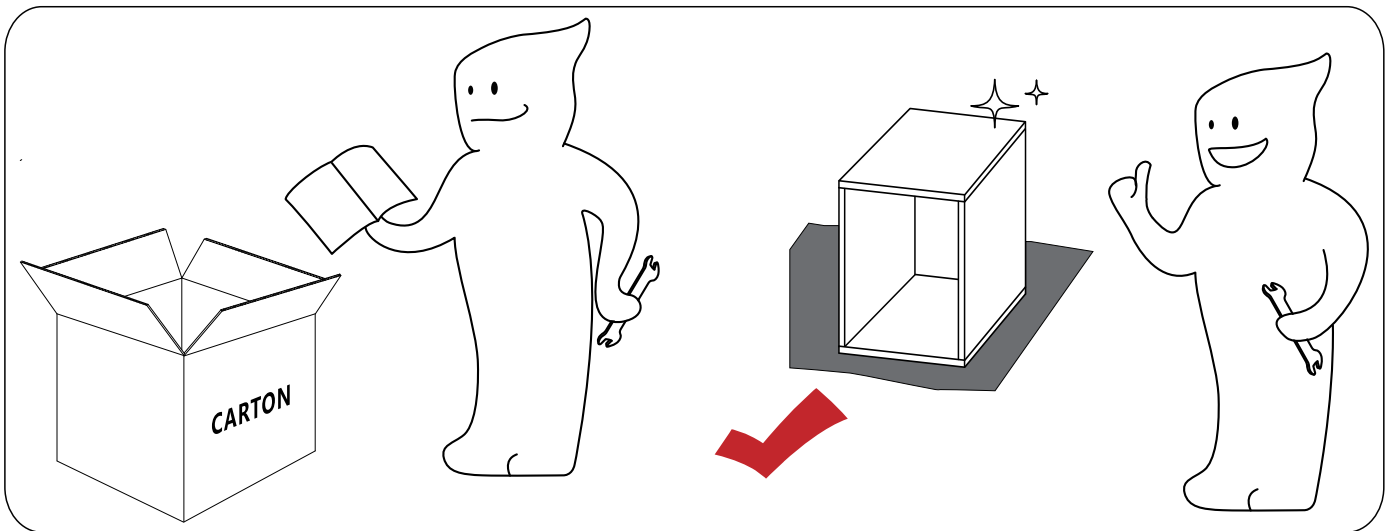
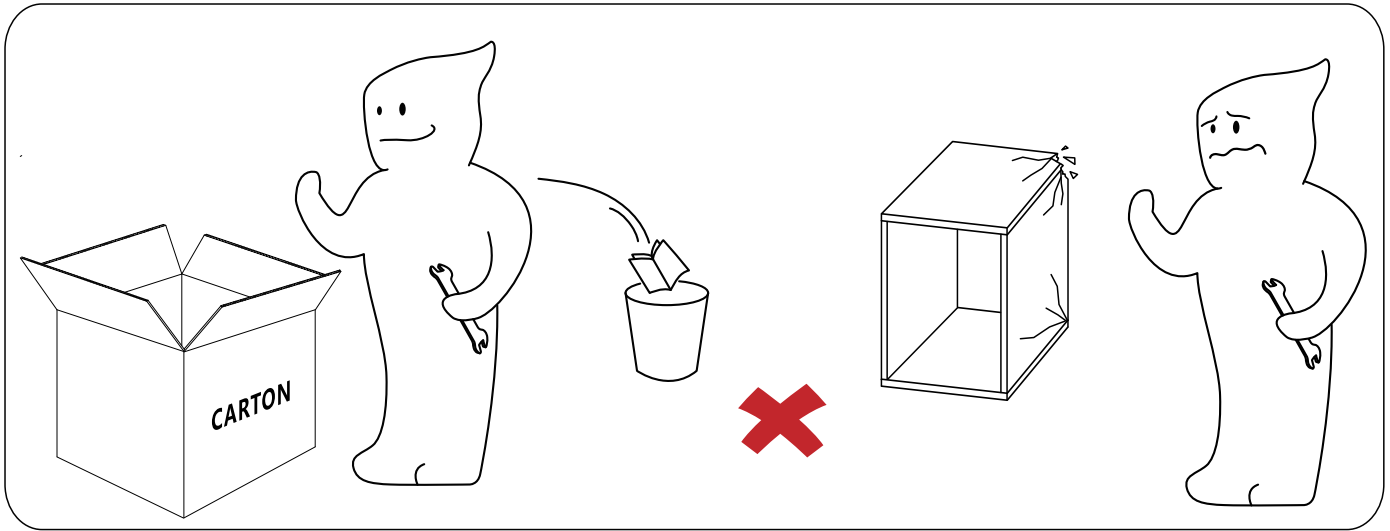


Dear Customers,

Thank you for purchasing our product. Please read this instruction manual carefully after receiving this product. It will help you assemble this product quickly, safely and correctly. You can keep this manual for future reference.
MADE IN CHINA

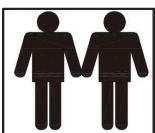
! IMPORTANT

Please follow the instruction manuals and use a pad to protect the product during your assembly.



Note:

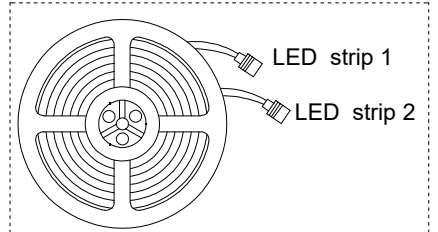
1. Should be assembled on flat ground to keep balance.
2. Before completing the installation, do not tighten the screws.



For easier and better assembly, **2** or more adults are required.

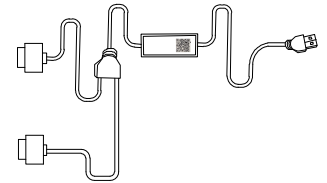
ASSEMBLY INSTRUCTIONS

DIY LED



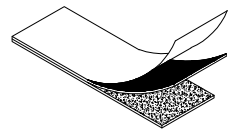
light bar

18



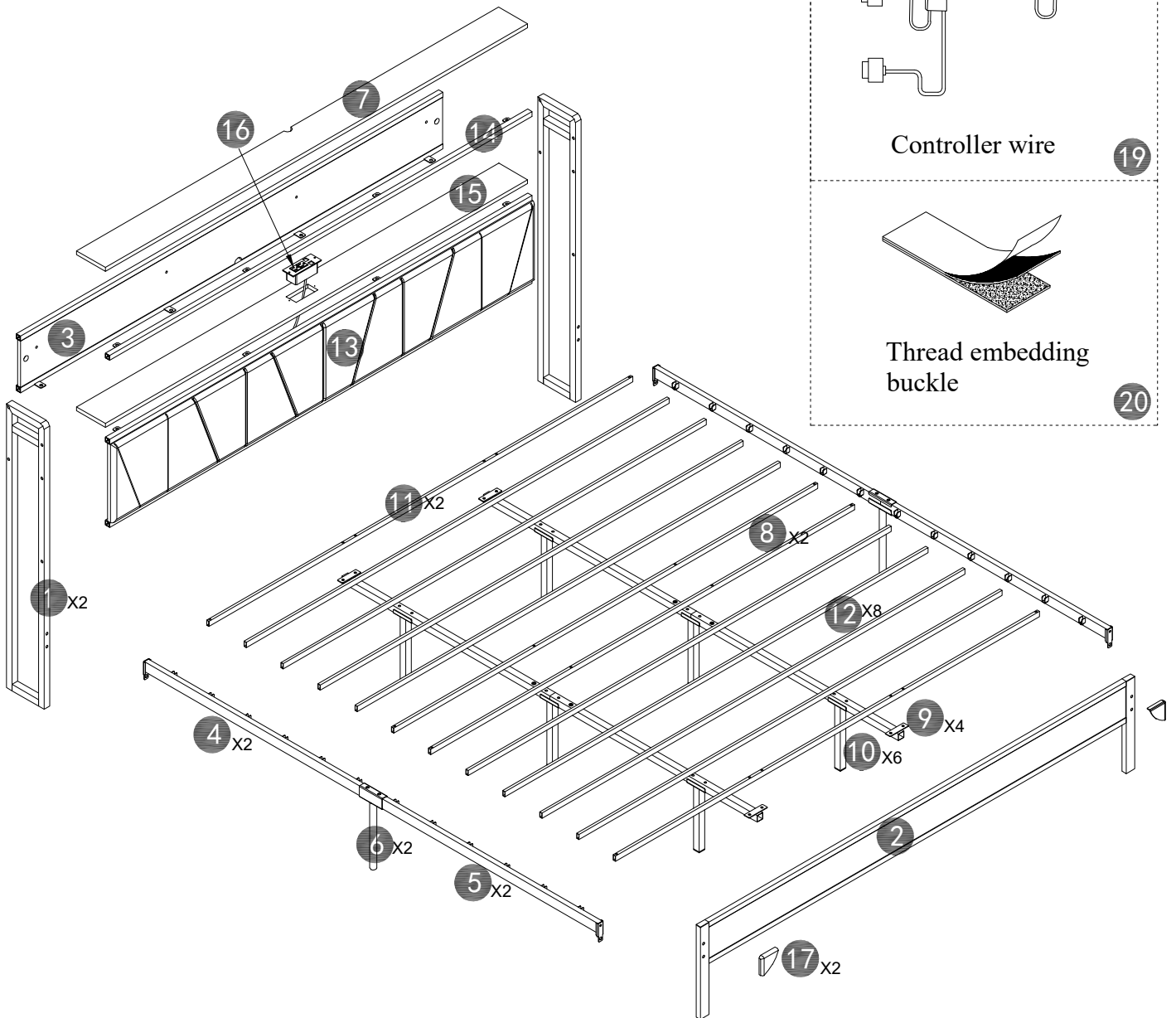
Controller wire

19



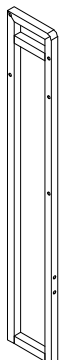
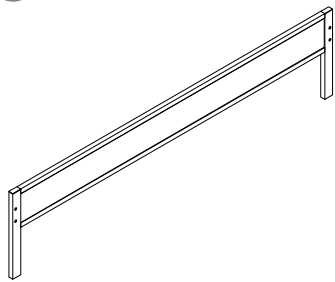
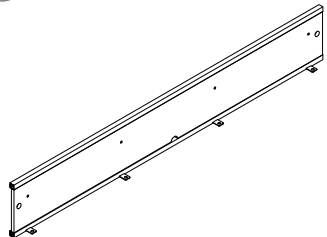
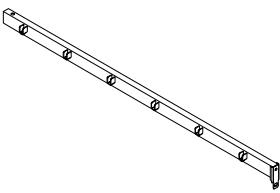
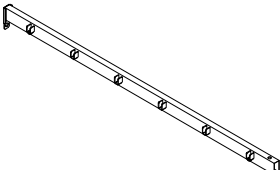
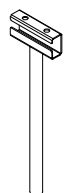
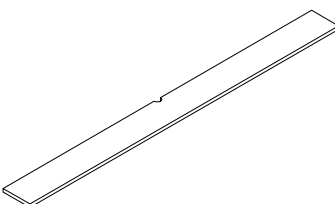
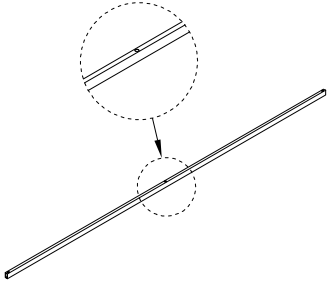
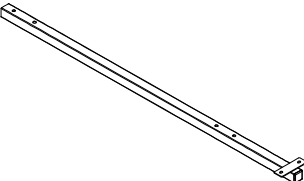
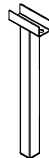
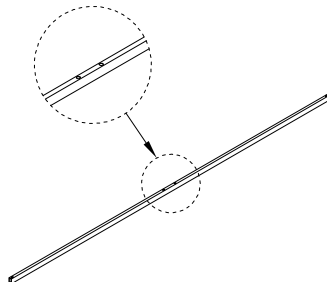
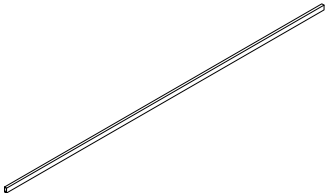
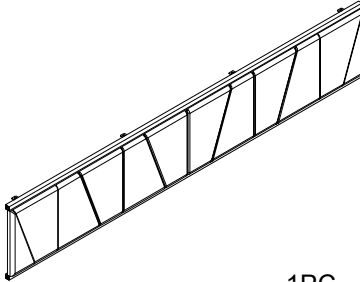
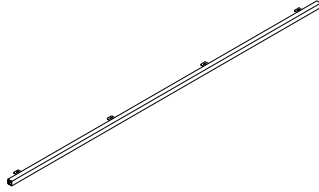
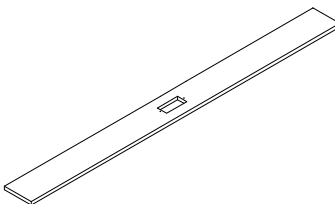
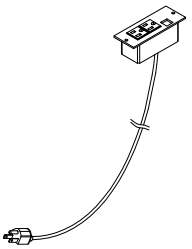

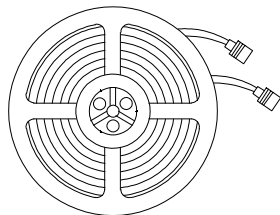
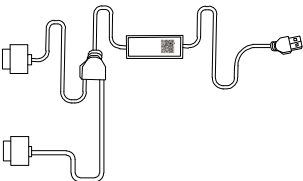
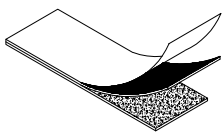
Thread embedding buckle

20



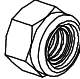
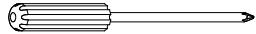
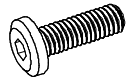
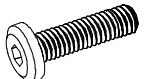
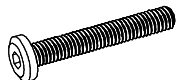
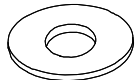
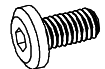
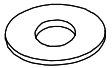
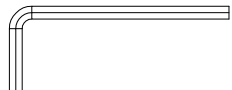
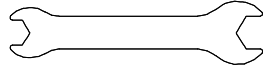
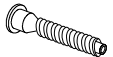


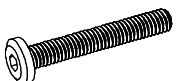
ASSEMBLY INSTRUCTIONS

PARTS LIST

<p>1</p>  <p>2PCS</p>	<p>2</p>  <p>1PC</p>	<p>3</p>  <p>1PC</p>	<p>4</p>  <p>2PCS</p>
<p>5</p>  <p>2PCS</p>	<p>6</p>  <p>2PCS</p>	<p>7</p>  <p>1PC</p>	<p>8</p>  <p>2PCS</p>
<p>9</p>  <p>4PCS</p>	<p>10</p>  <p>6PCS</p>	<p>11</p>  <p>2PCS</p>	<p>12</p>  <p>8PCS</p>
<p>13</p>  <p>1PC</p>	<p>14</p>  <p>1PC</p>	<p>15</p>  <p>1PC</p>	<p>16</p>  <p>1PC</p>
<p>17</p>  <p>2PCS</p>	<p>18</p>  <p>light bar</p> <p>1PC</p>	<p>19</p>  <p>Controller wire</p> <p>1PC</p>	<p>20</p>  <p>Thread embedding buckle</p> <p>6PCS</p>

ASSEMBLY INSTRUCTIONS

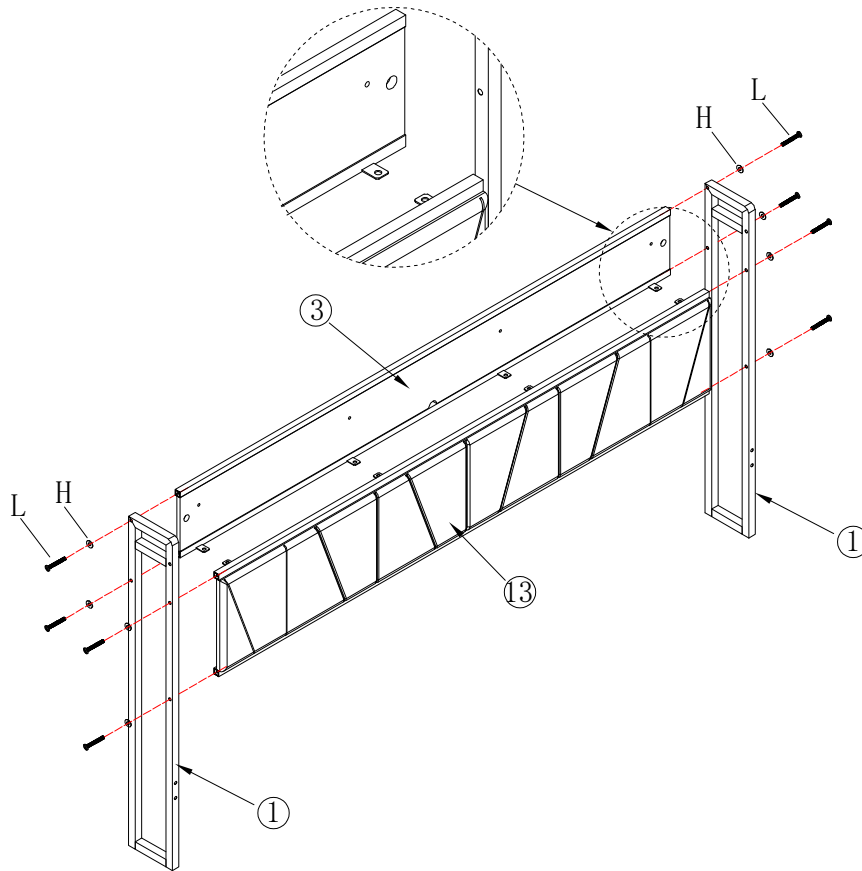
HARDWARE LIST

<p>A</p>  <p>M8</p> <p>8PCS</p>	<p>B</p>  <p>1PC</p>	<p>C</p>  <p>M5*25</p> <p>8PCS</p>	<p>D</p>  <p>M6*35</p> <p>24PCS</p>
<p>E</p>  <p>M8*40</p> <p>8PCS</p>	<p>F</p>  <p>ø8</p> <p>8PCS</p>	<p>G</p>  <p>M6*12</p> <p>12PCS</p>	<p>H</p>  <p>ø6</p> <p>10PCS</p>
<p>I</p>  <p>S4</p> <p>1PC</p>	<p>J</p>  <p>S10, S13</p> <p>1PC</p>	<p>K</p>  <p>ø7*40</p> <p>4PCS</p>	<p>L</p>  <p>M6*45</p> <p>10PCS</p>
<p>M</p>  <p>M3*12</p> <p>2PCS</p>	<p>N</p>  <p>M8*55</p> <p>4PCS</p>		

ASSEMBLY INSTRUCTIONS

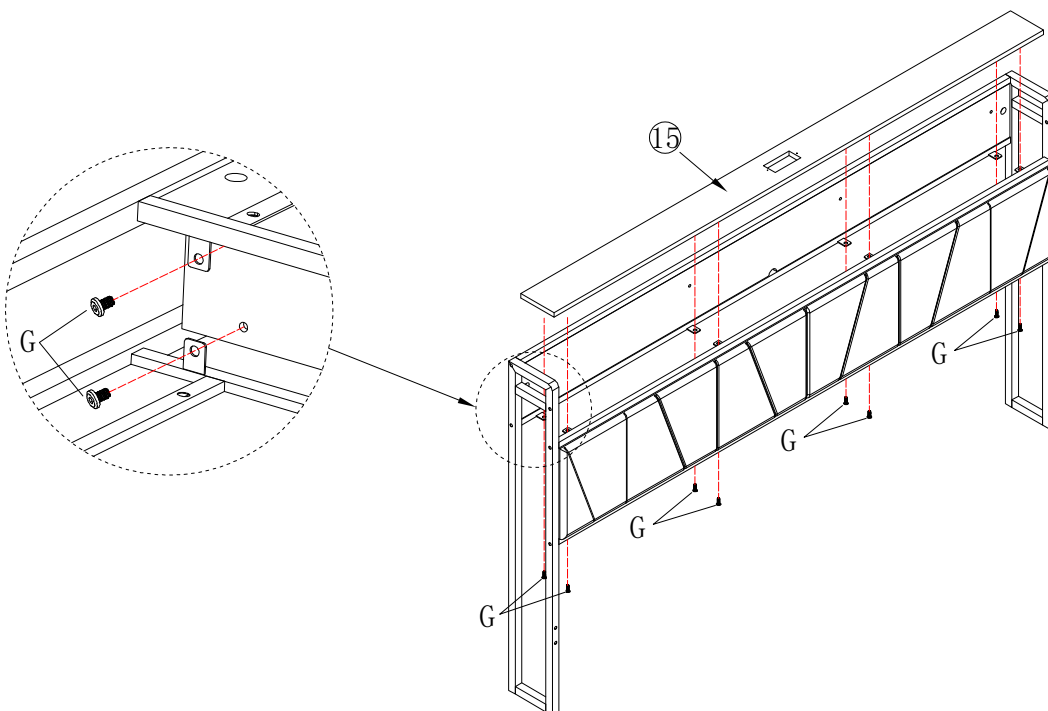
1



Do not fully tighten the screws just yet.



L		8PCS
H		8PCS
I		

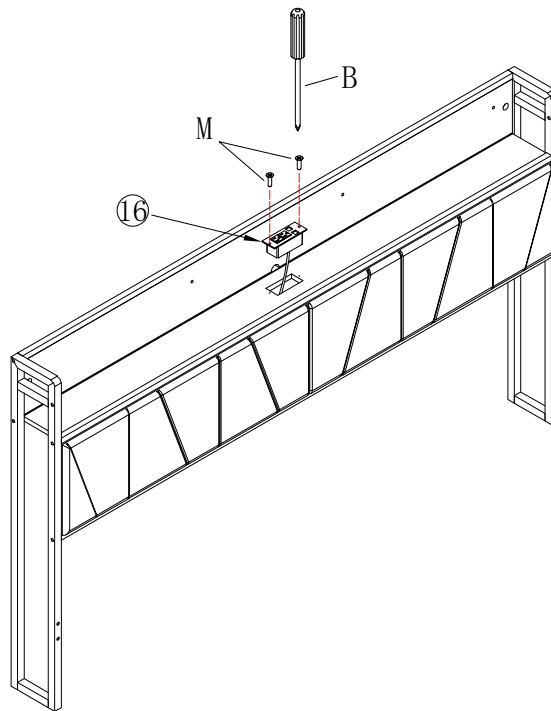
2





G		8PCS
I		

ASSEMBLY INSTRUCTIONS

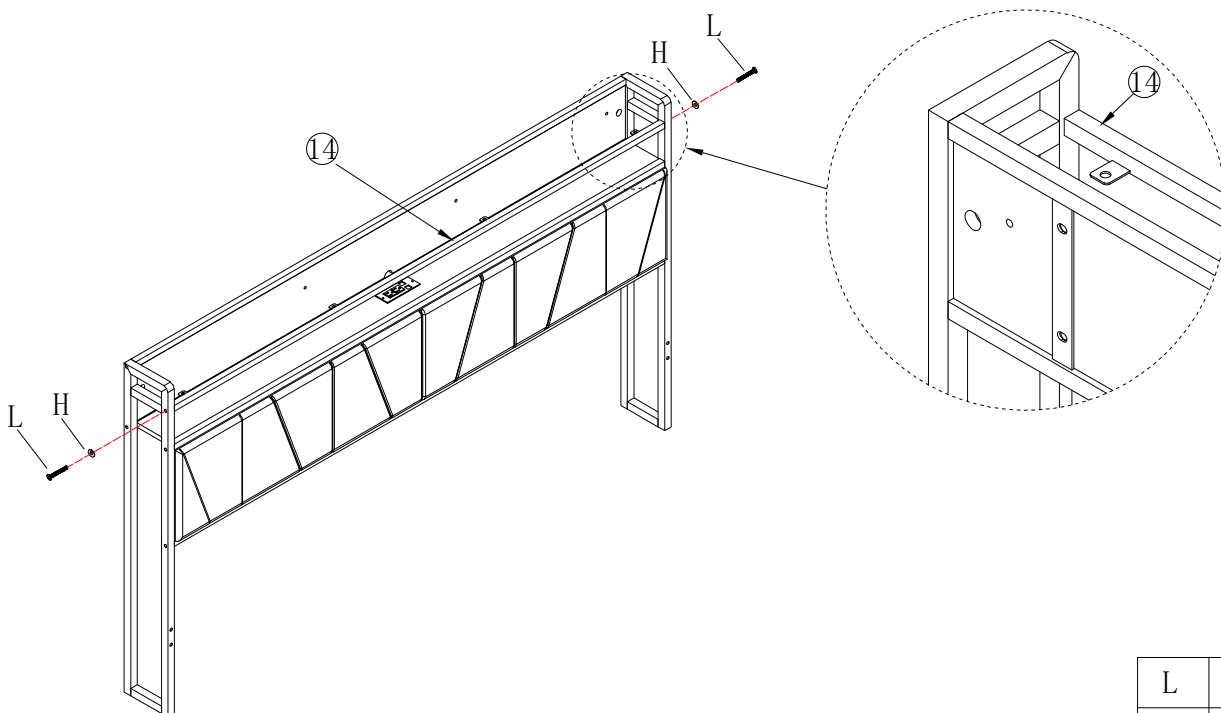
3






M		2PCS
B		

Now that the headboard frame is mostly complete, please tighten all the screws on it.

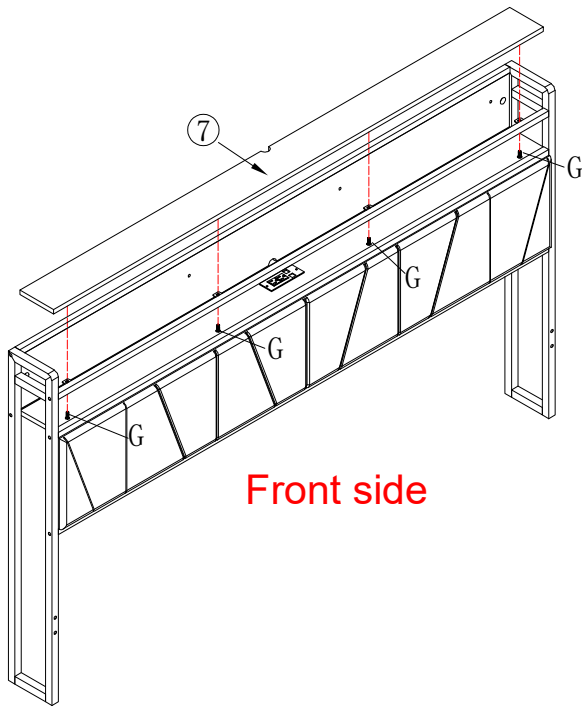
4



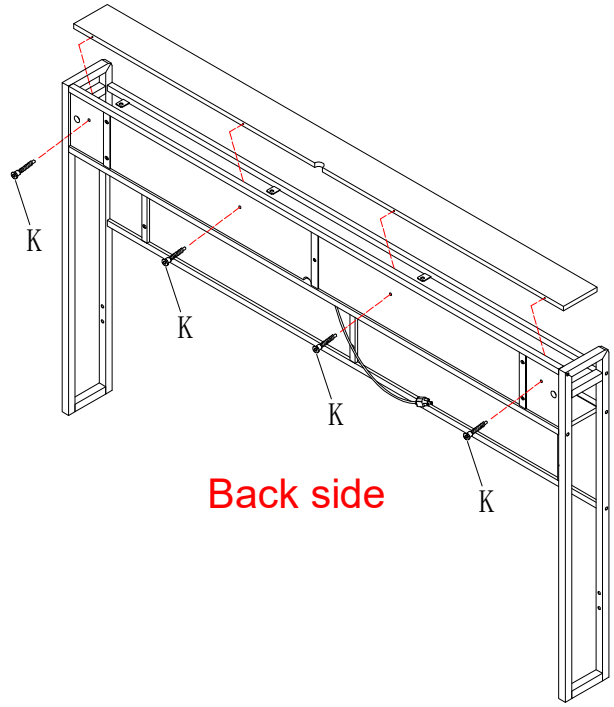
L		2PCS
H		2PCS
I		

ASSEMBLY INSTRUCTIONS

5



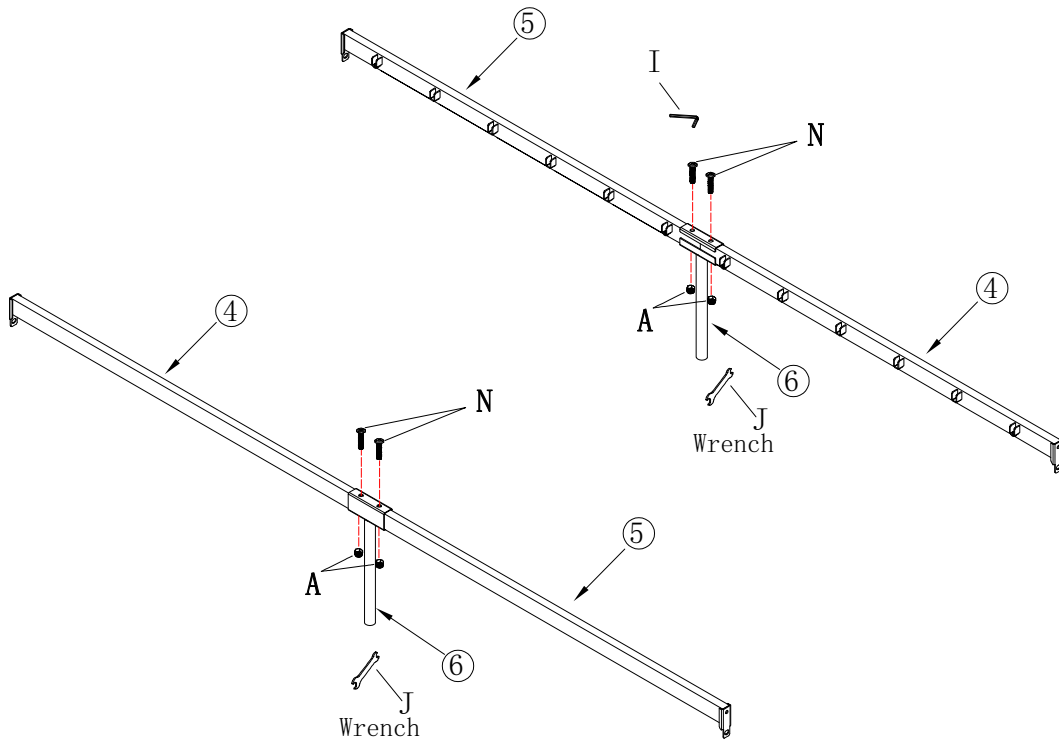
Front side



Back side

G		4PCS
K		4PCS
I		

6

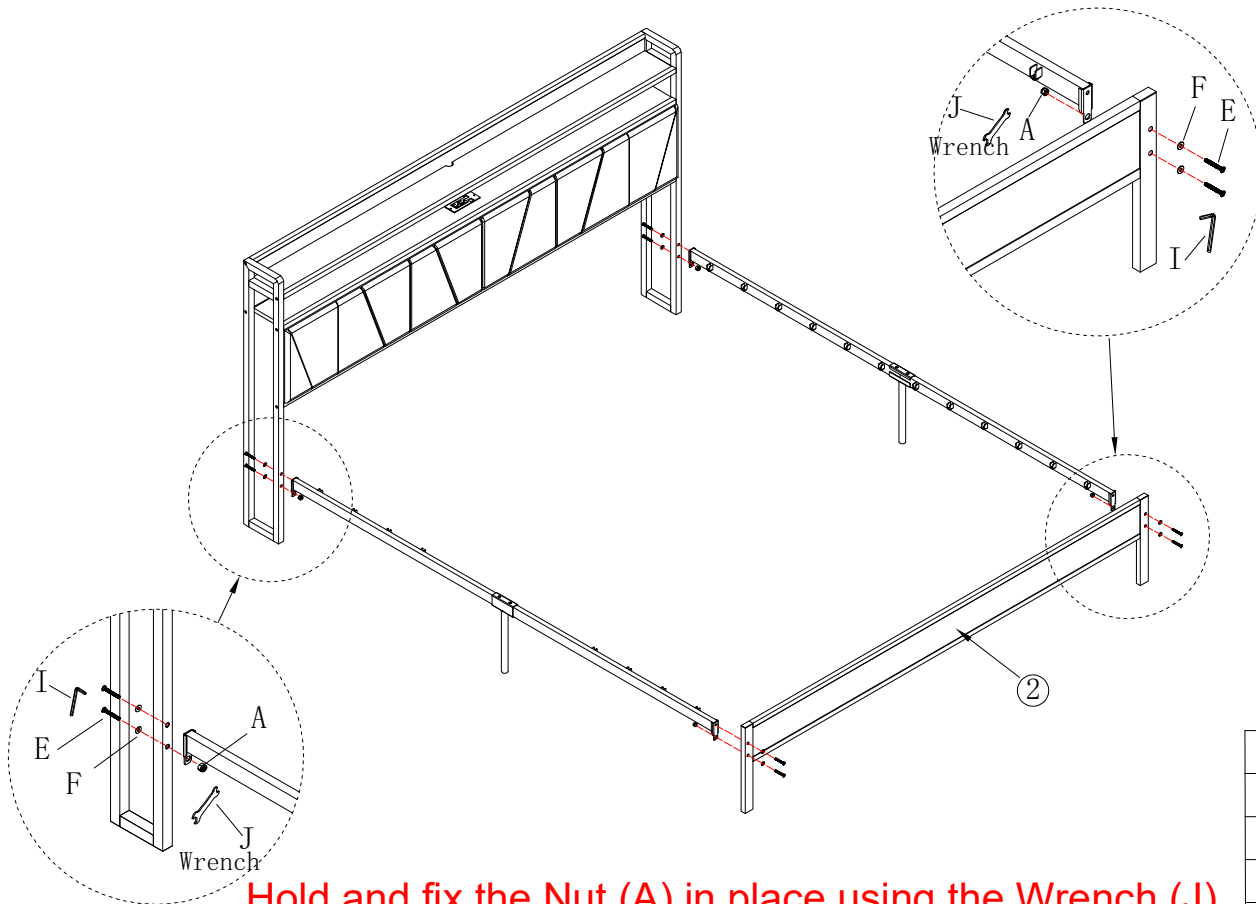


Hold and fix the Nut (A) in place using the Wrench (J), then tighten the Screw (N) with the Allen key (I).






N		4PCS
A		4PCS
I		2PCS
J		

ASSEMBLY INSTRUCTIONS

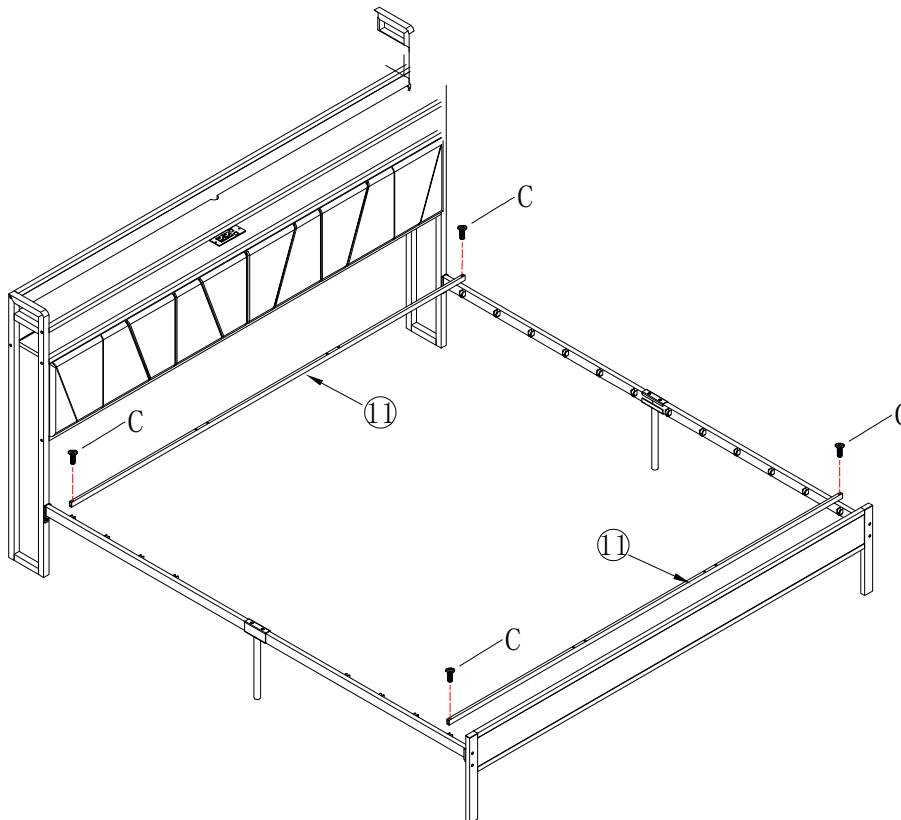
7





Hold and fix the Nut (A) in place using the Wrench (J), then tighten the Screw (E) with the Allen key (I).

A		4PCS
E		8PCS
F		8PCS
I		
J		

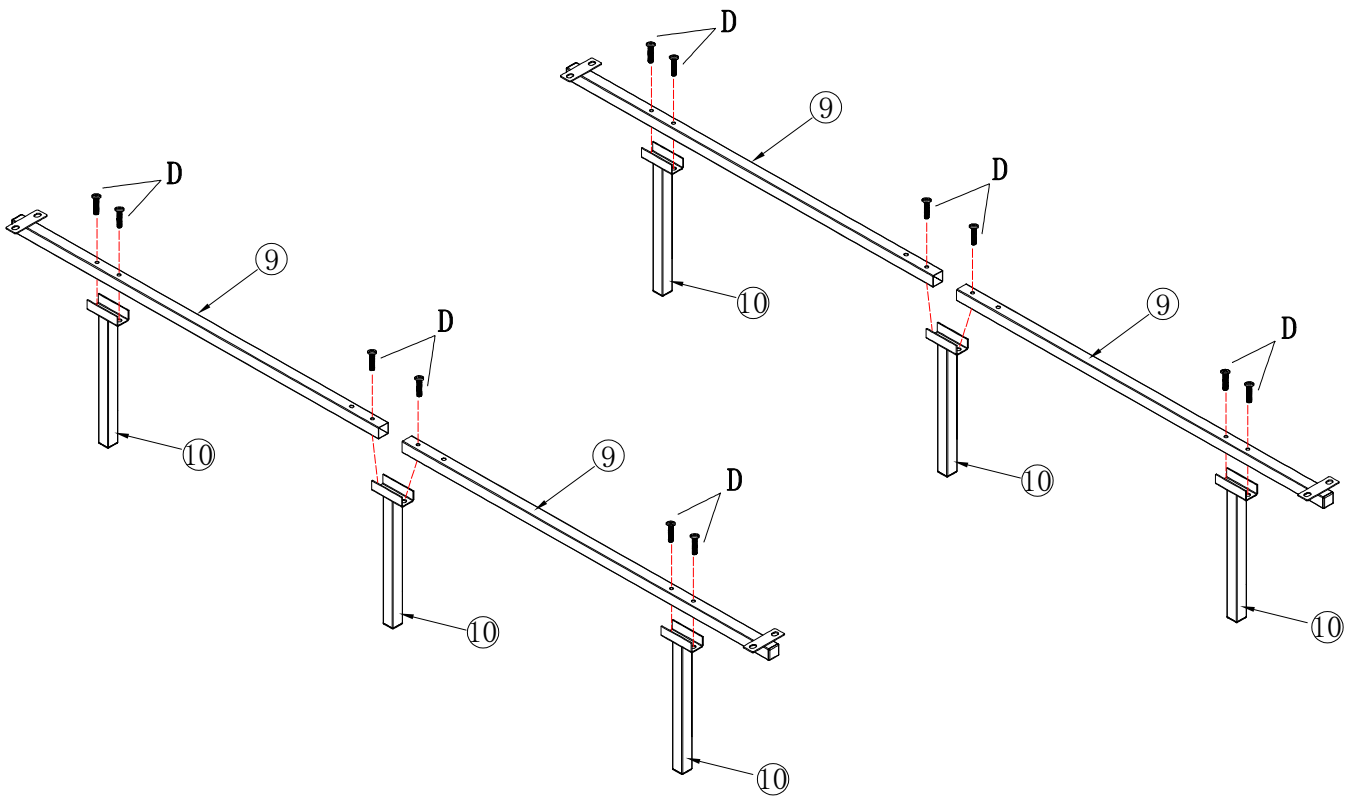
8





C		4PCS
I		

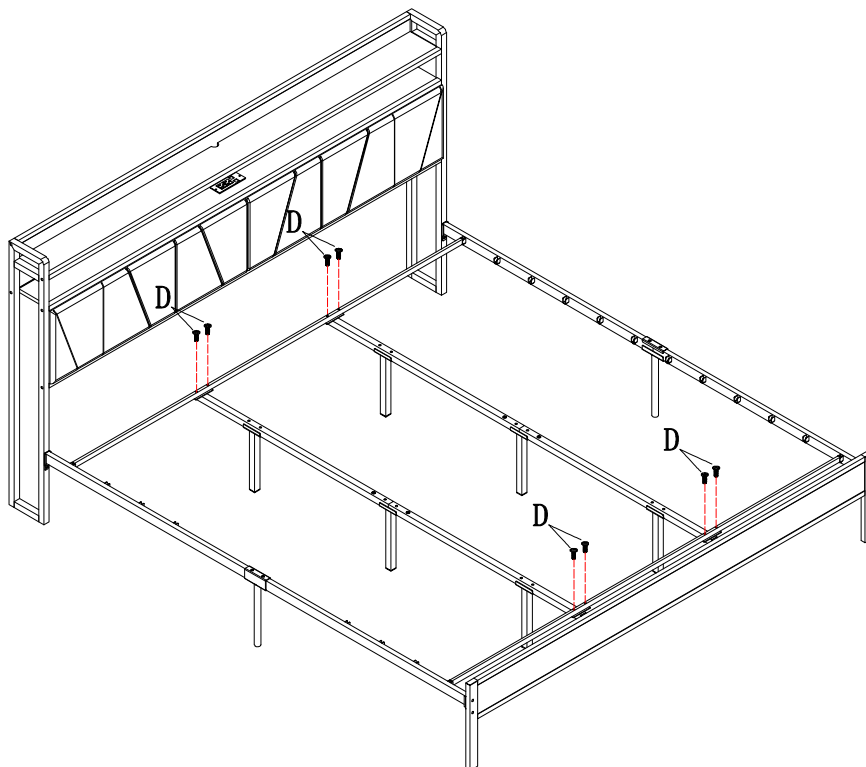
ASSEMBLY INSTRUCTIONS



9



D		12PCS
I		

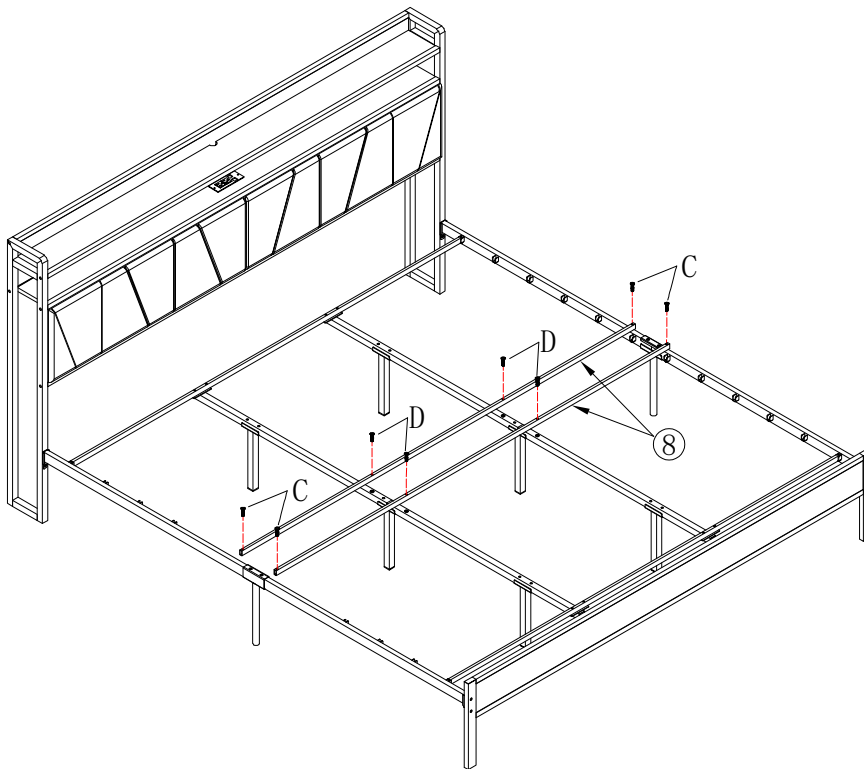
10






D		8PCS
I		

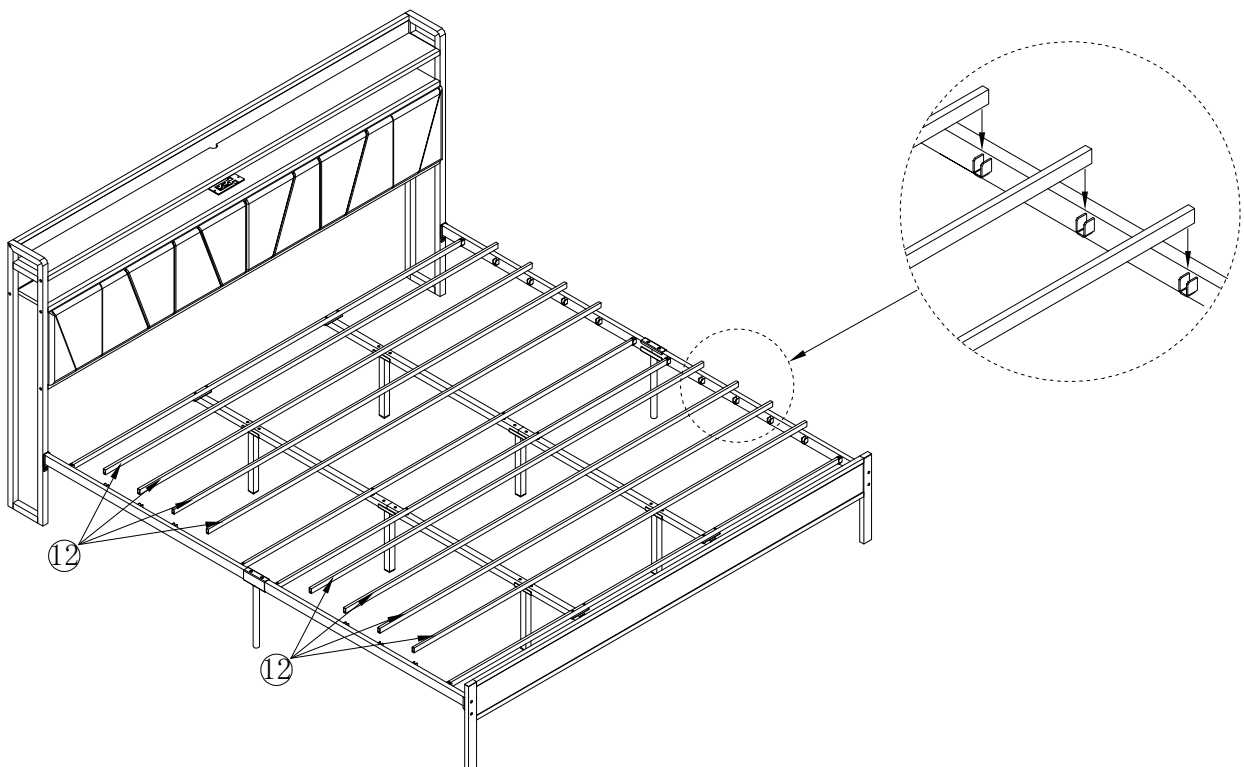
ASSEMBLY INSTRUCTIONS

11

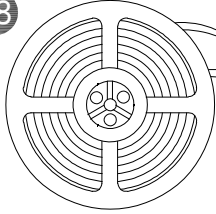


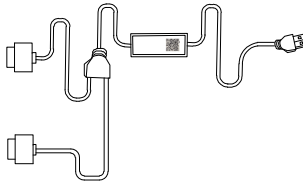
C		4PCS
D		4PCS
I		

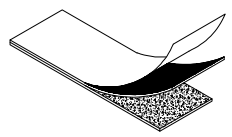
12

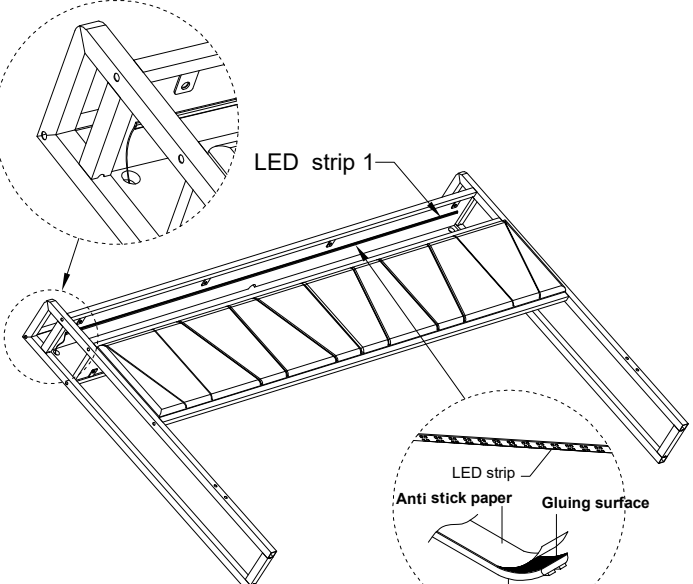


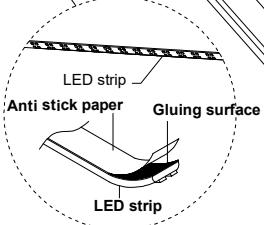
DIY LED

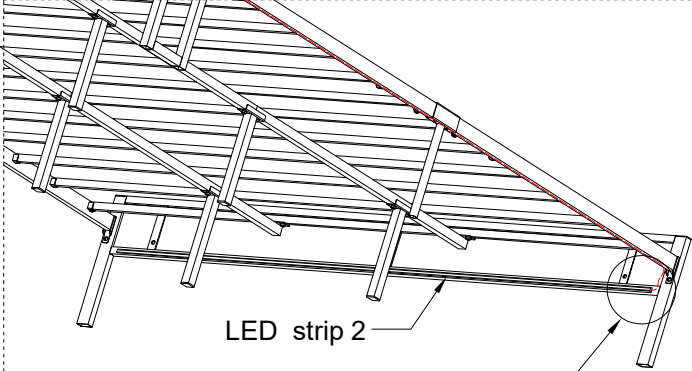
18  LED strip 1
LED strip 2
light bar

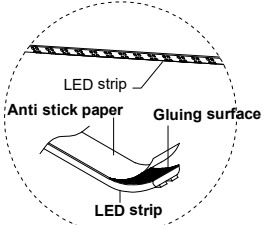
19  Controller wire

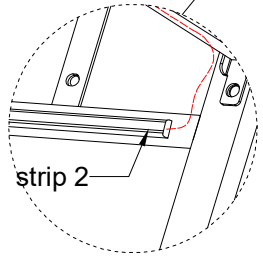
20  Thread embedding buckle

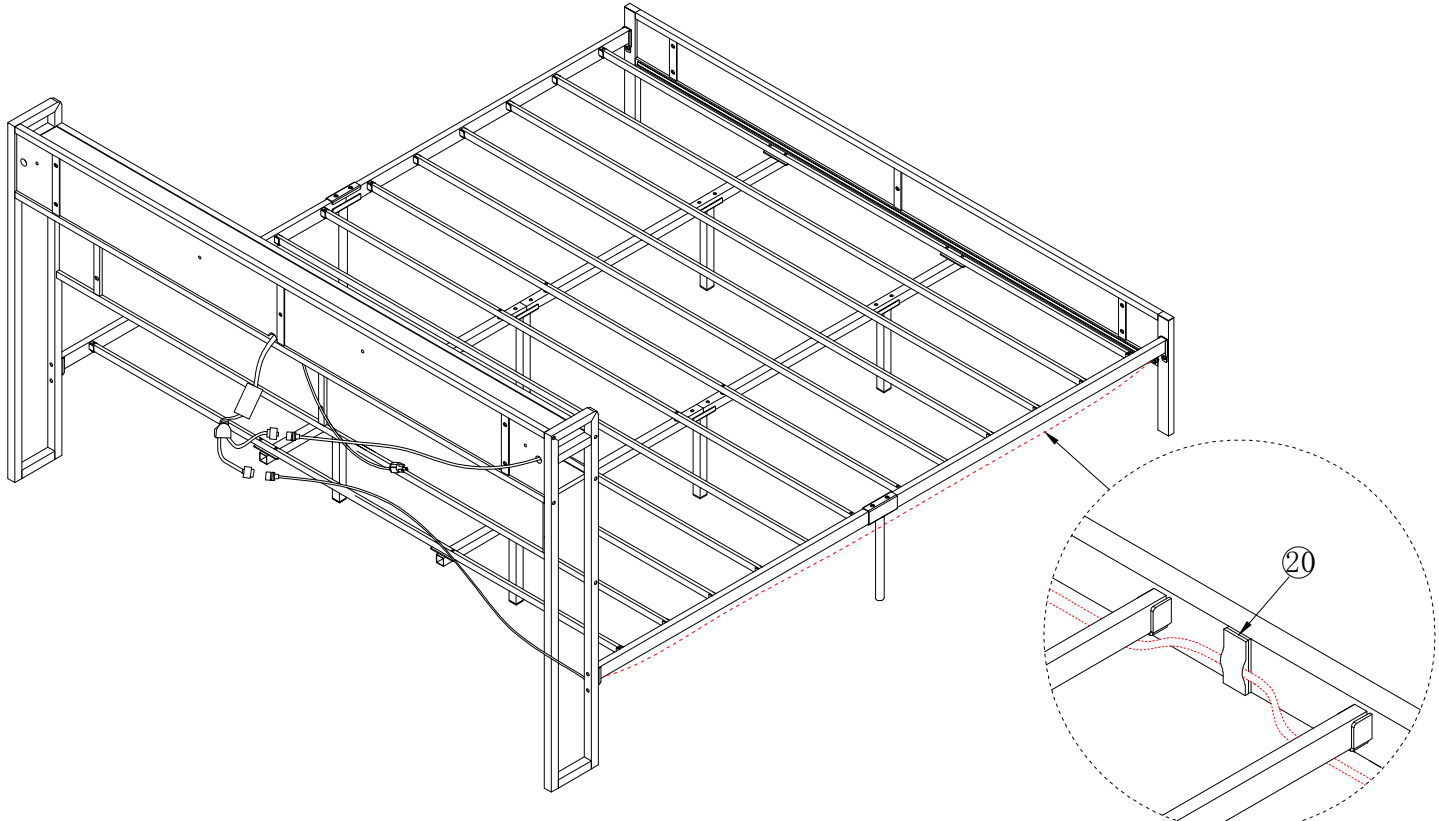
 LED strip 1

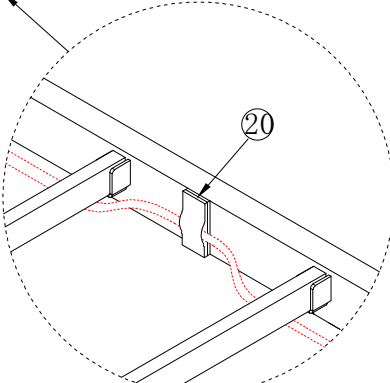
 LED strip
Anti stick paper
Gluing surface
LED strip

 LED strip 2

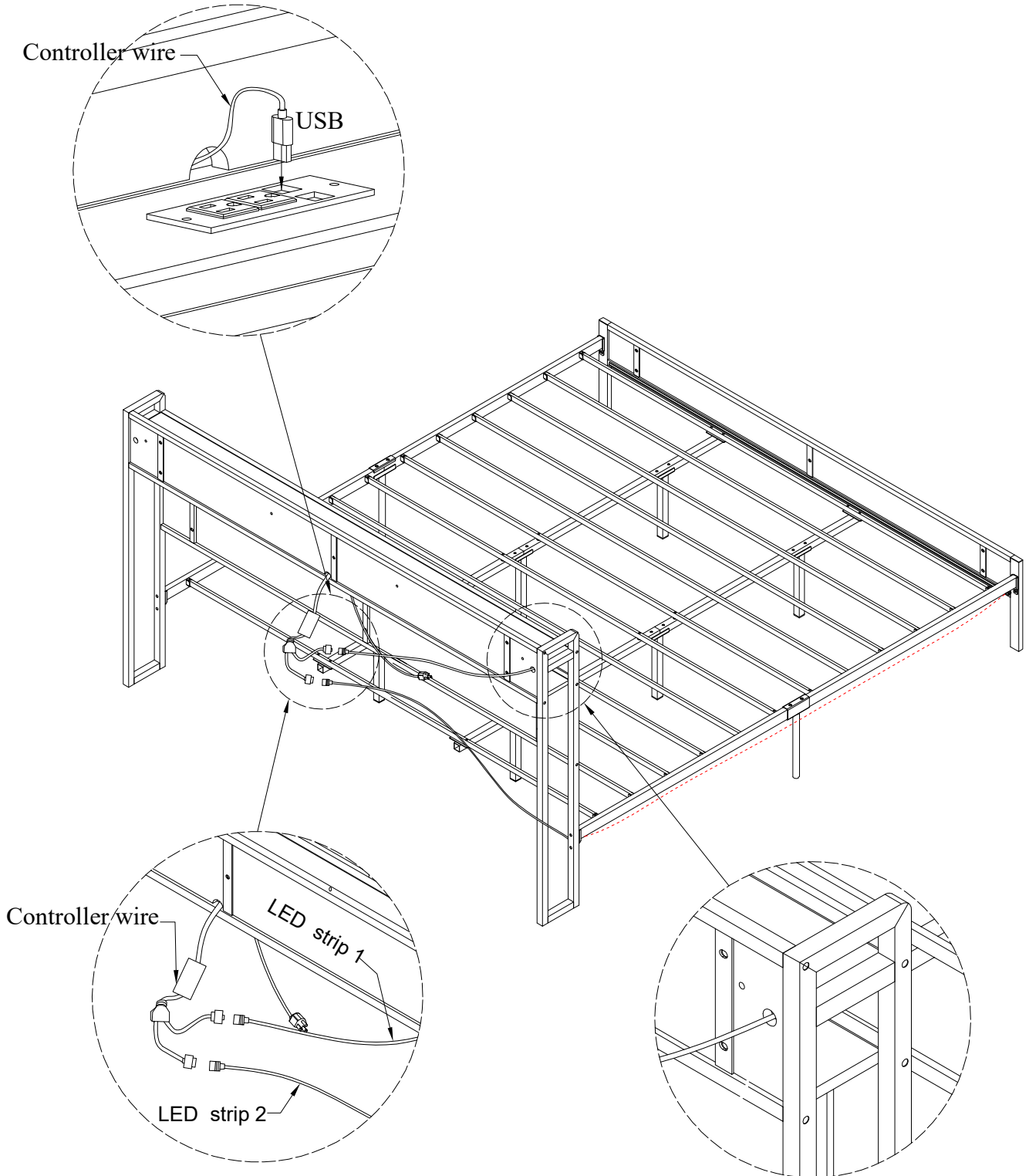
 LED strip
Anti stick paper
Gluing surface
LED strip

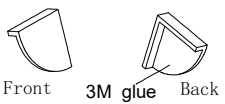
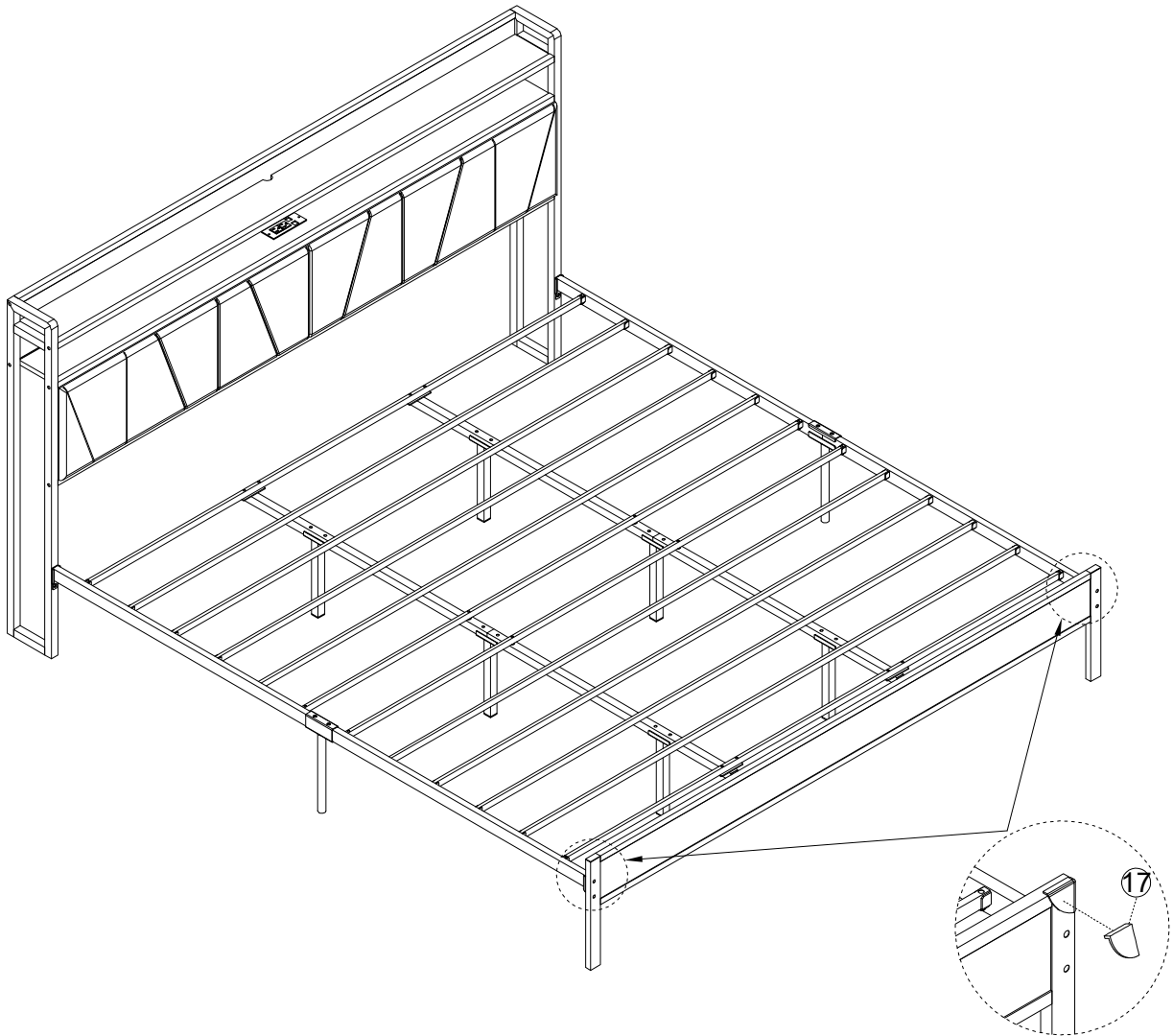
 LED strip 2



 20

DIY LED





Turn over the rubber anti-collision block, tear off the paper, and stick 3M glue on the foot of the bed.