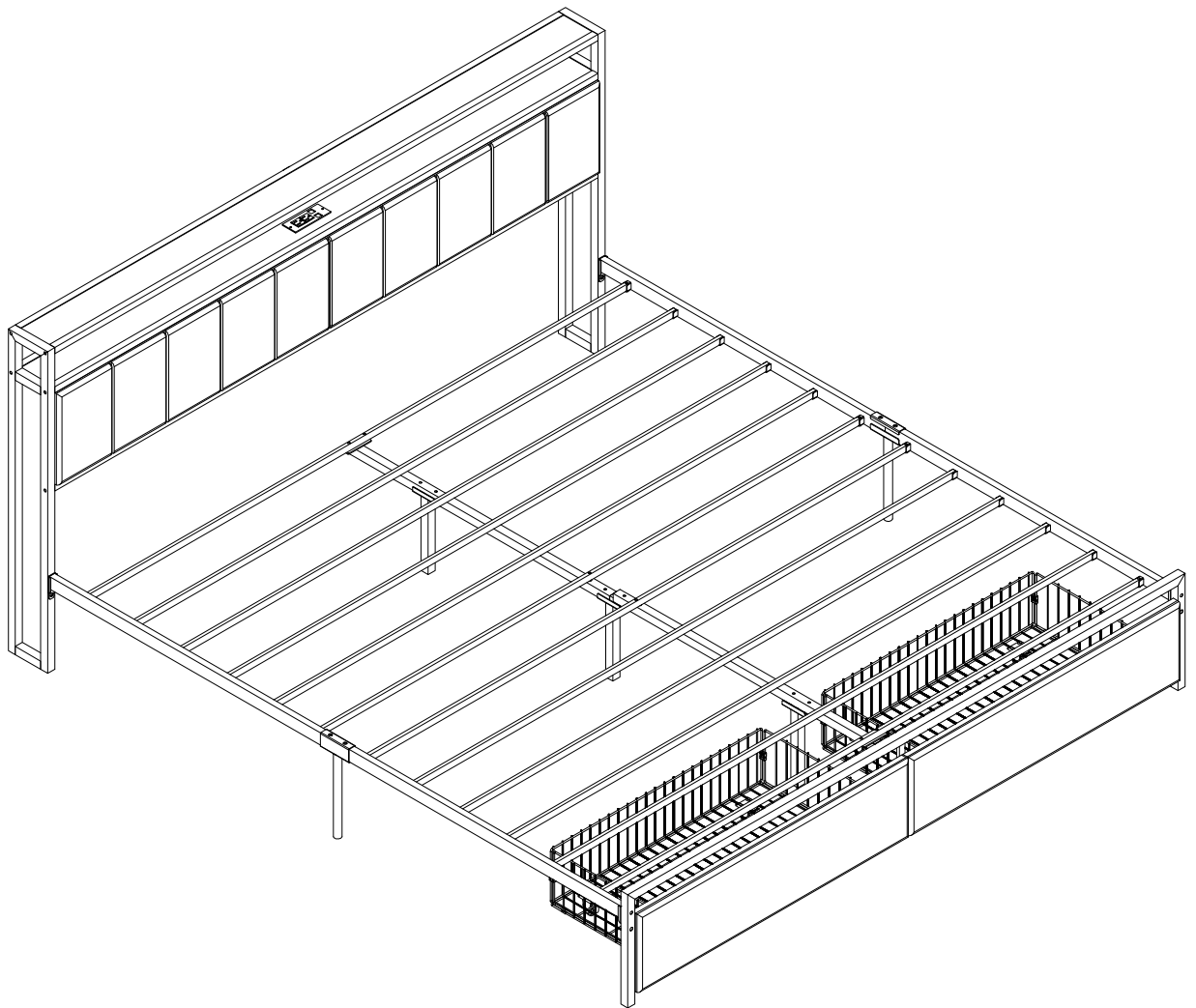


ASSEMBLY INSTRUCTIONS

Metal Storage Bed Frame with 2 Drawers Assembly Instructions



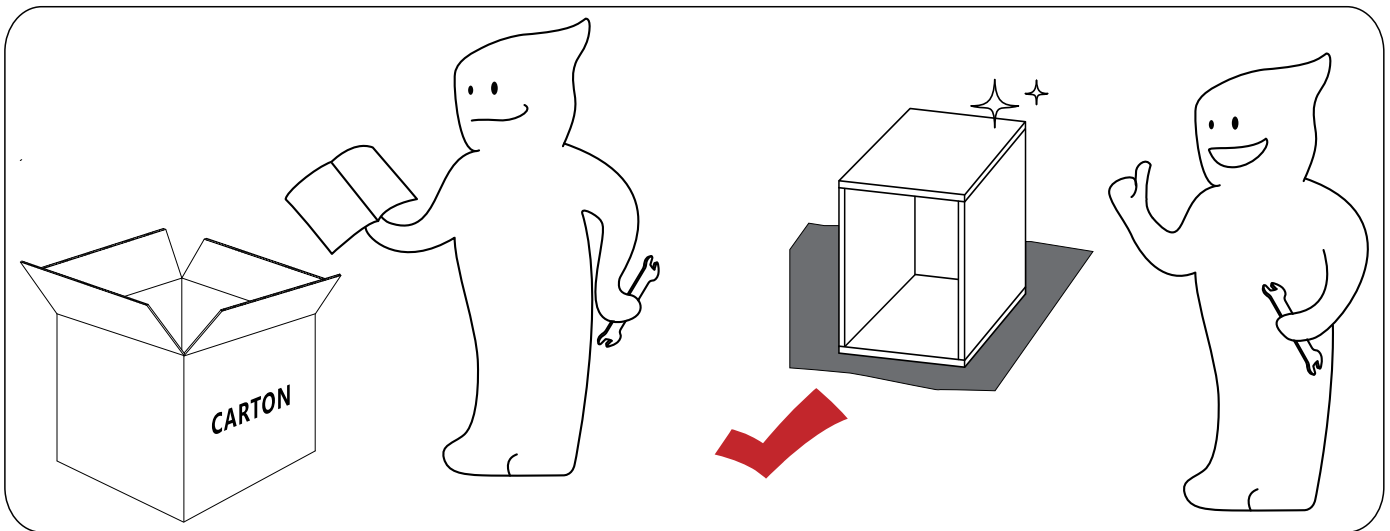
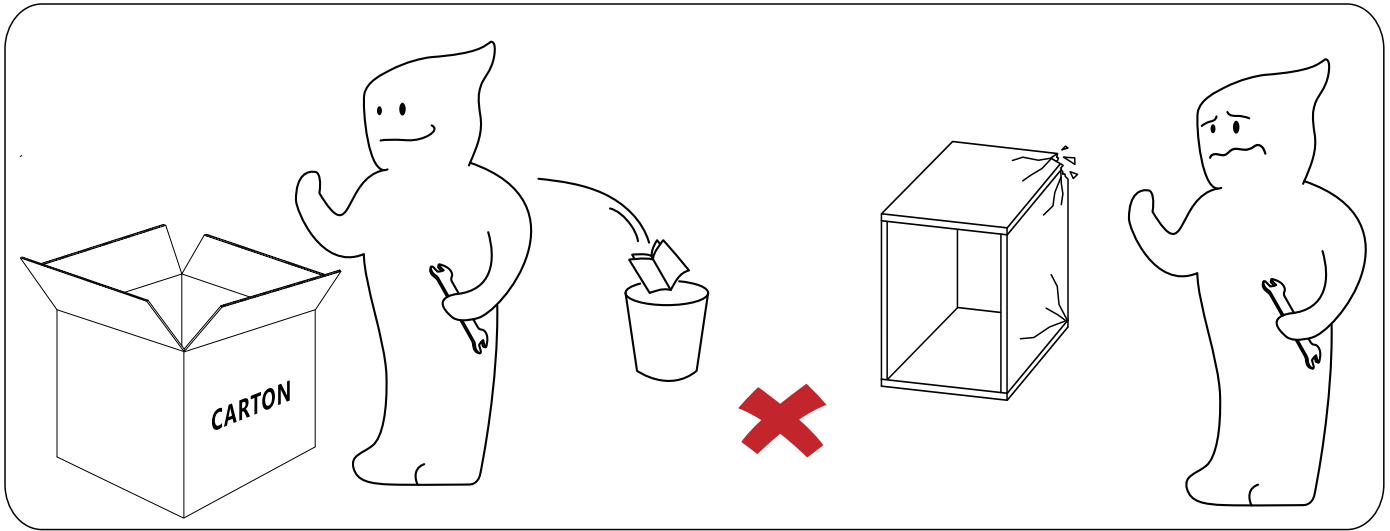
Dear Customers,

Thank you for purchasing our product. Please read this instruction manual carefully after receiving this product. It will help you assemble this product quickly, safely and correctly. You can keep this manual for future reference.

MADE IN CHINA

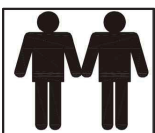
! IMPORTANT

Please follow the instruction manuals and use a pad to protect the product during your assembly.



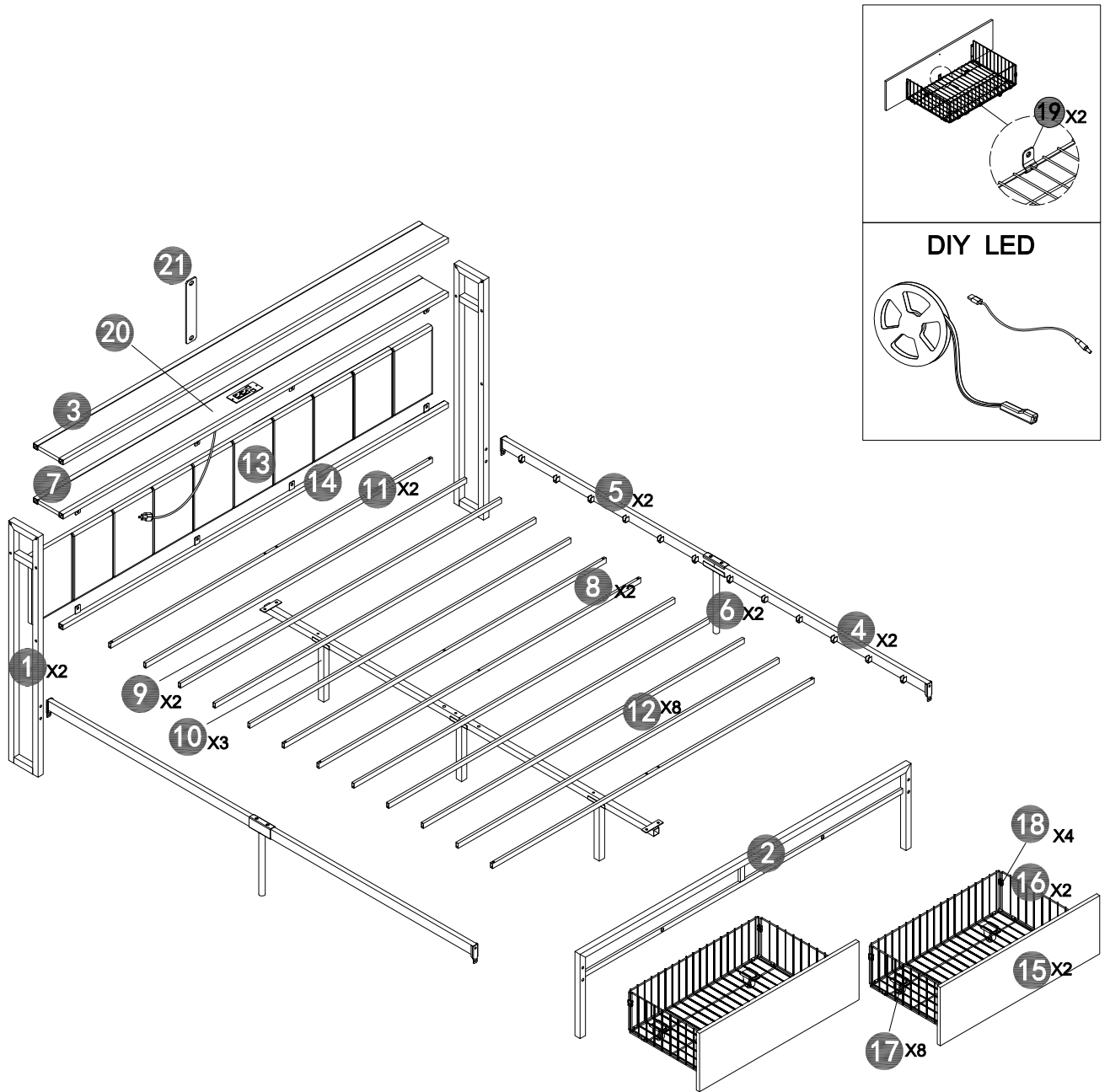
Note:

1. Should be assembled on flat ground to keep balance.
2. Before completing the installation, do not tighten the screws.




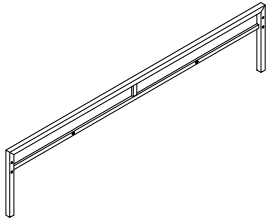
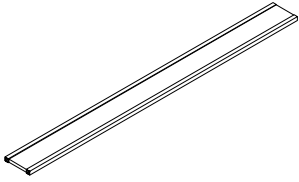
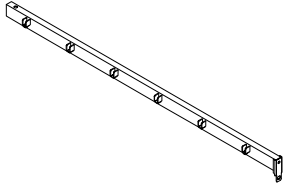
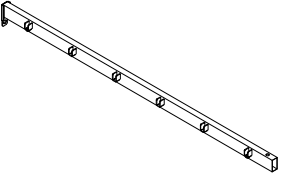
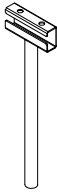
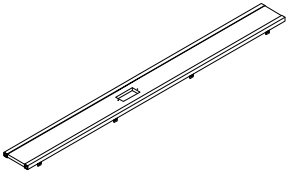
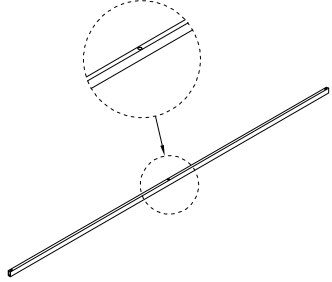
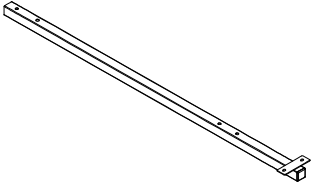
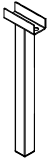
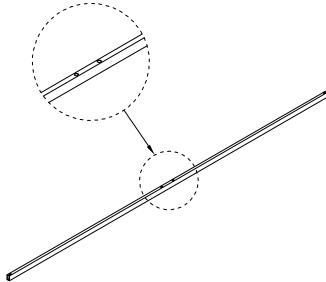
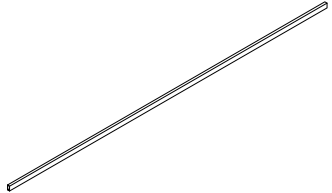
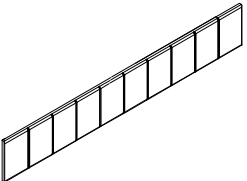
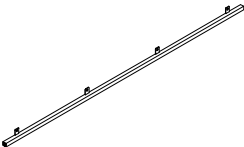
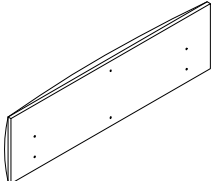
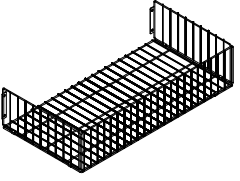
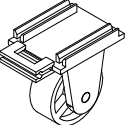
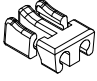
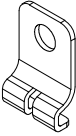
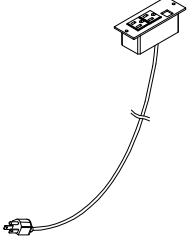
For easier and better assembly, **2** or more adults are required.

ASSEMBLY INSTRUCTIONS



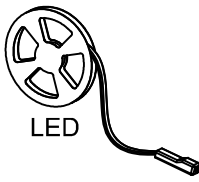
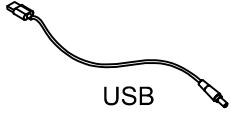



ASSEMBLY INSTRUCTIONS


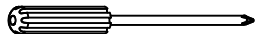
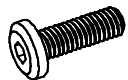
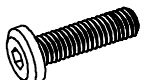





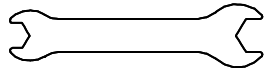
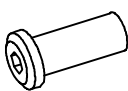


PARTS LIST

 <p>1</p>	 <p>2</p>	 <p>3</p>	 <p>4</p>
2PCS	1PC	1PC	2PCS
 <p>5</p>	 <p>6</p>	 <p>7</p>	 <p>8</p>
2PCS	2PCS	1PC	
 <p>9</p>	 <p>10</p>	 <p>11</p>	 <p>12</p>
2PCS	3PCS	2PCS	8PCS
 <p>13</p>	 <p>14</p>	 <p>15</p>	 <p>16</p>
1PC	1PC	2PCS	2PCS
 <p>17</p>	 <p>18</p>	 <p>19</p>	 <p>20</p>
8PCS	4PCS	2PCS	1PC

ASSEMBLY INSTRUCTIONS

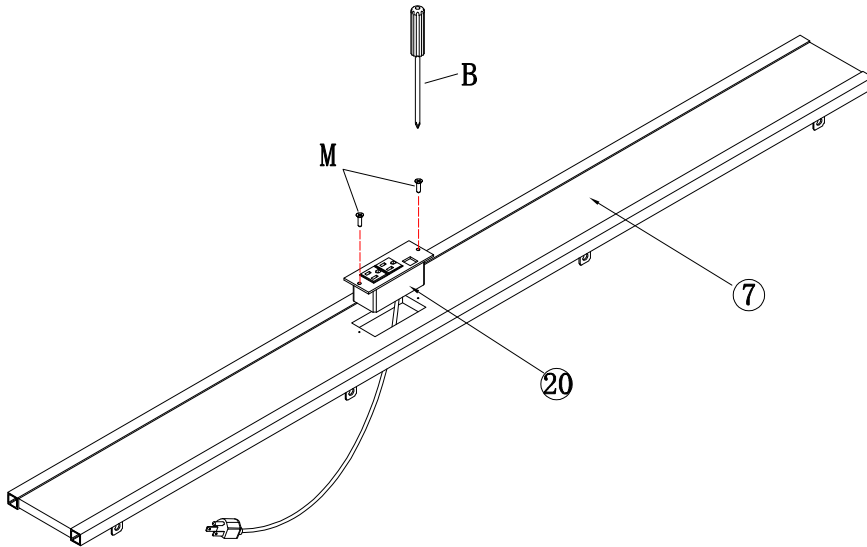
<p>21</p>  <p>1PC</p>	<p>22</p>  <p>2PCS</p>	<p>23</p>  <p>LED</p> <p>1PC</p>	<p>24</p>  <p>USB</p> <p>1PC</p>	<p>25</p>  <p>glue</p> <p>4PCS</p>
--	---	---	--	---



HARDWARE LIST

<p>A</p>  <p>M8</p> <p>4PCS</p>	<p>B</p>  <p>1PC</p>	<p>C</p>  <p>M5*25</p> <p>8PCS</p>	<p>D</p>  <p>M6*35</p> <p>16PCS</p>
<p>E</p>  <p>M8*40</p> <p>8PCS</p>	<p>F</p>  <p>∅8</p> <p>8PCS</p>	<p>G</p>  <p>M6*12</p> <p>22PCS</p>	<p>H</p>  <p>∅6</p> <p>10PCS</p>
<p>I</p>  <p>S4</p> <p>2PCS</p>	<p>J</p>  <p>S10, S13</p> <p>1PC</p>	<p>K</p>  <p>M6*20</p> <p>4PCS</p>	<p>L</p>  <p>M6*45</p> <p>10PCS</p>
<p>M</p>  <p>M3*12</p> <p>2PCS</p>			

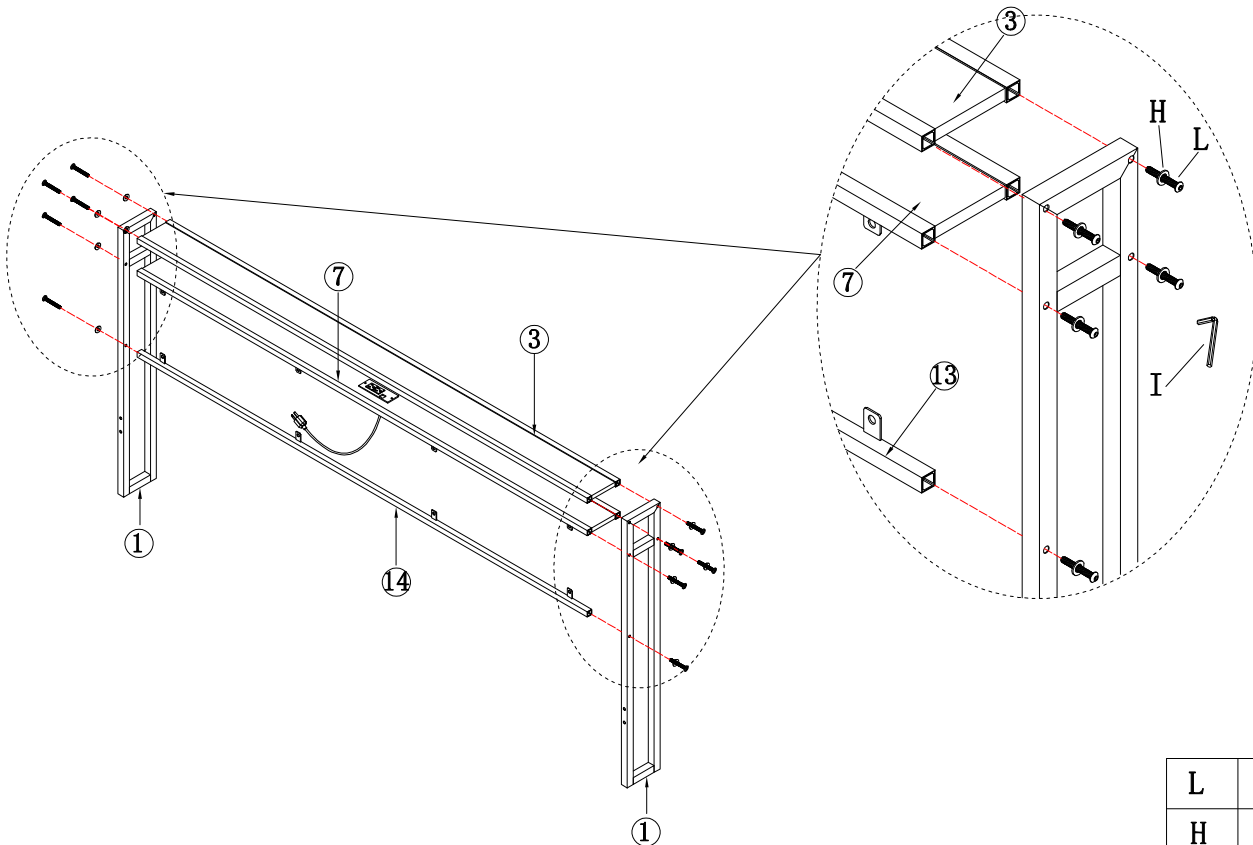
ASSEMBLY INSTRUCTIONS




1



M		2PCS
B		

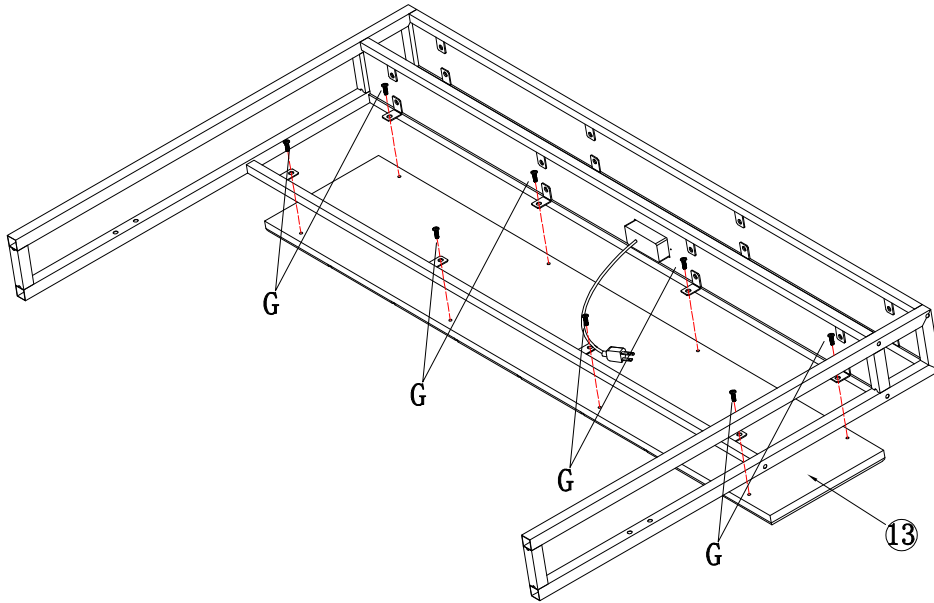
2





L		10PCS
H		10PCS
I		

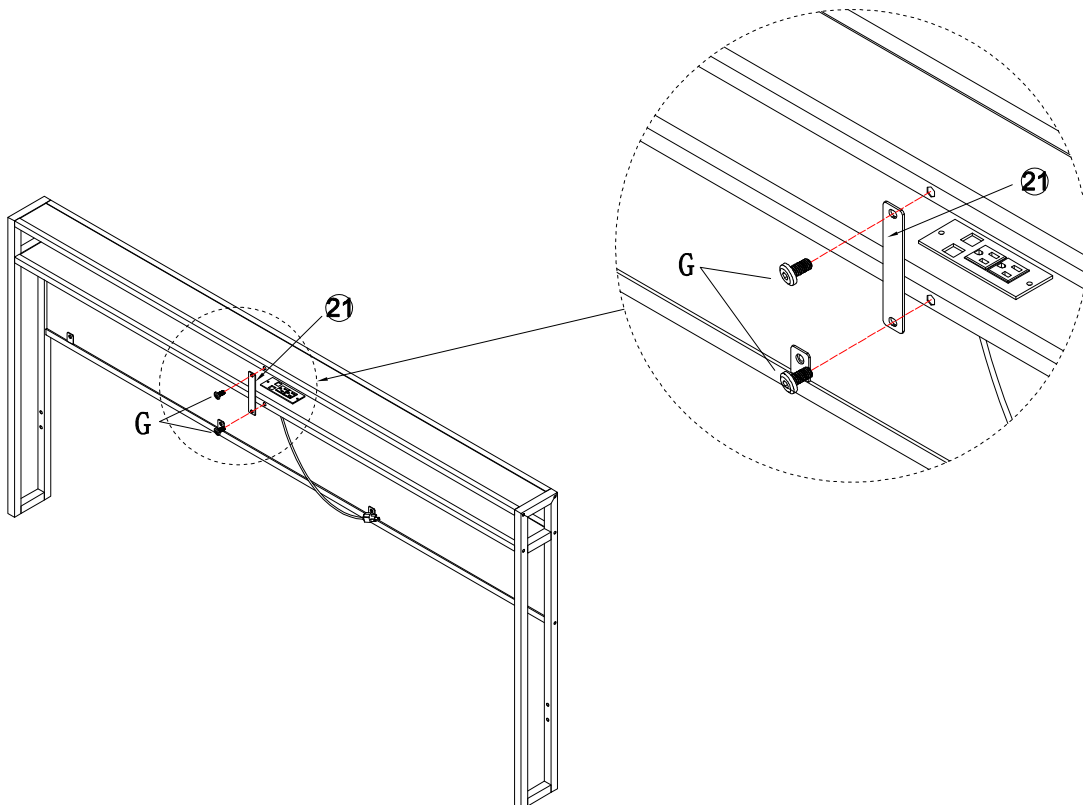
ASSEMBLY INSTRUCTIONS



3



G		8PCS
I		

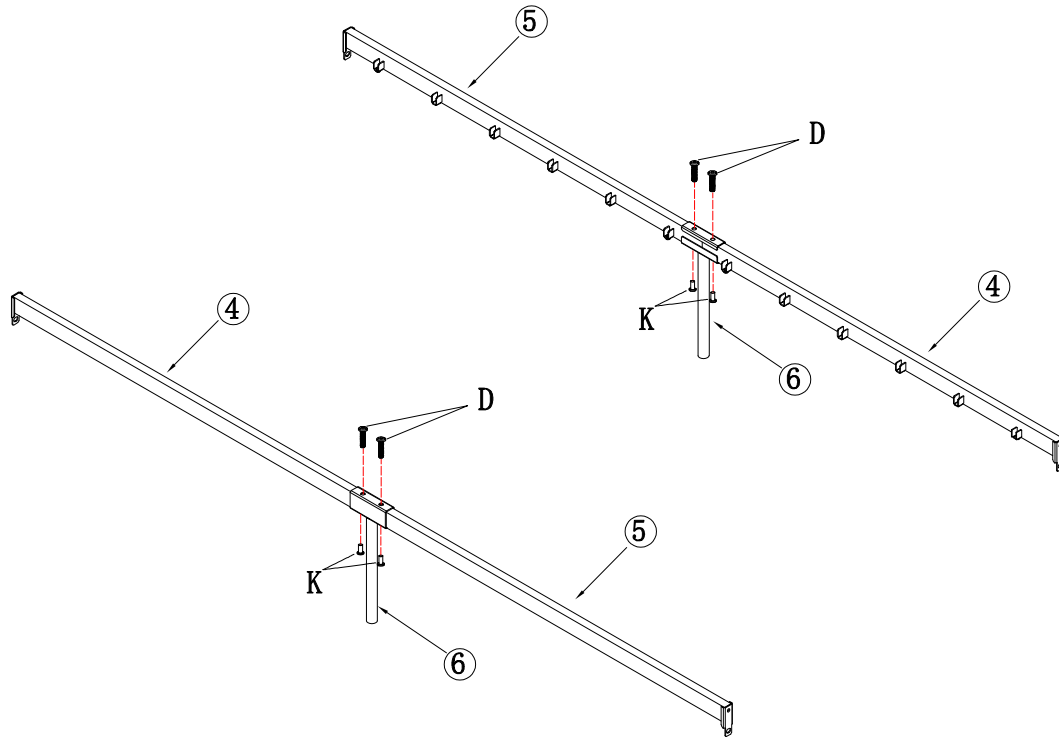
4



G		2PCS
I		

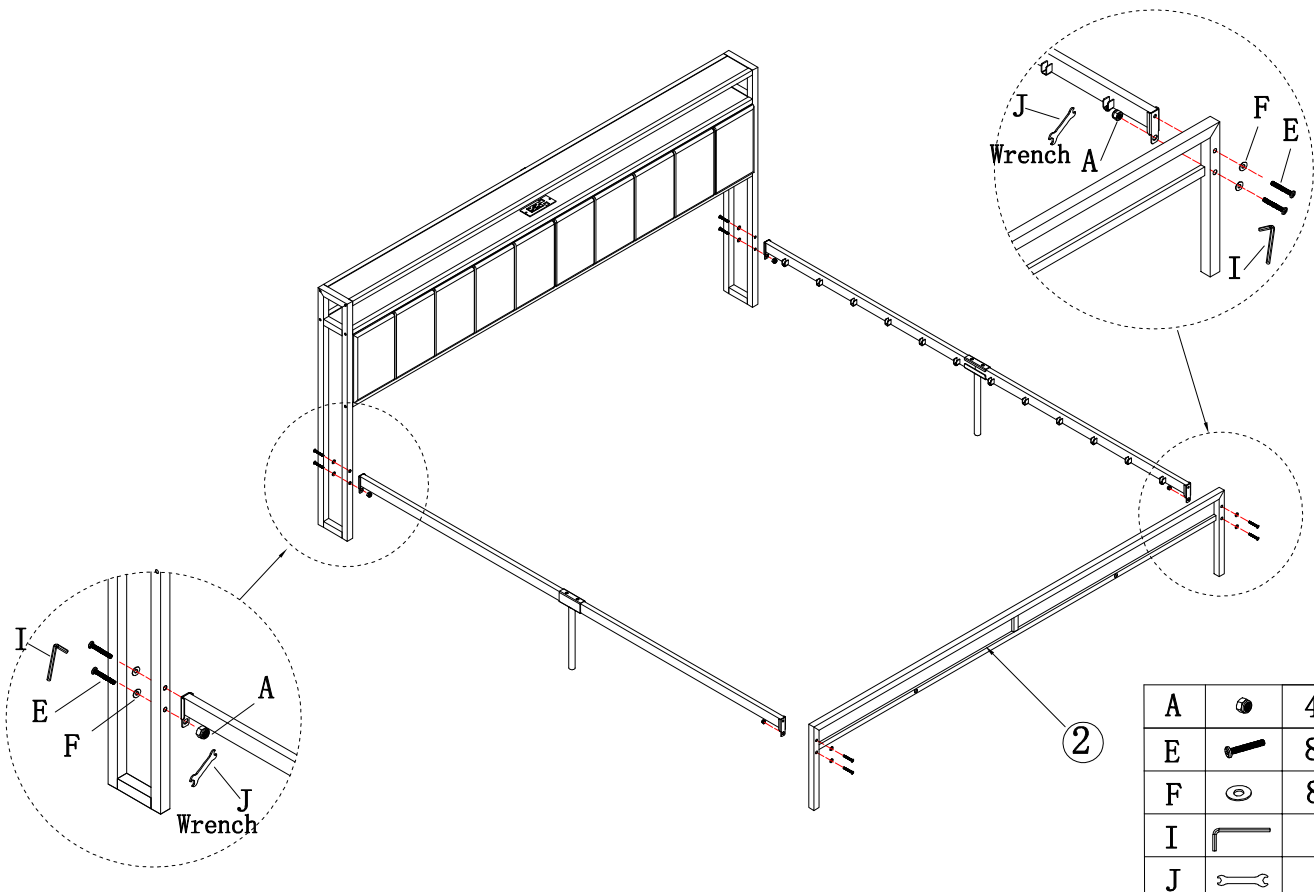
ASSEMBLY INSTRUCTIONS

5



D		4PCS
K		4PCS
I		2PCS

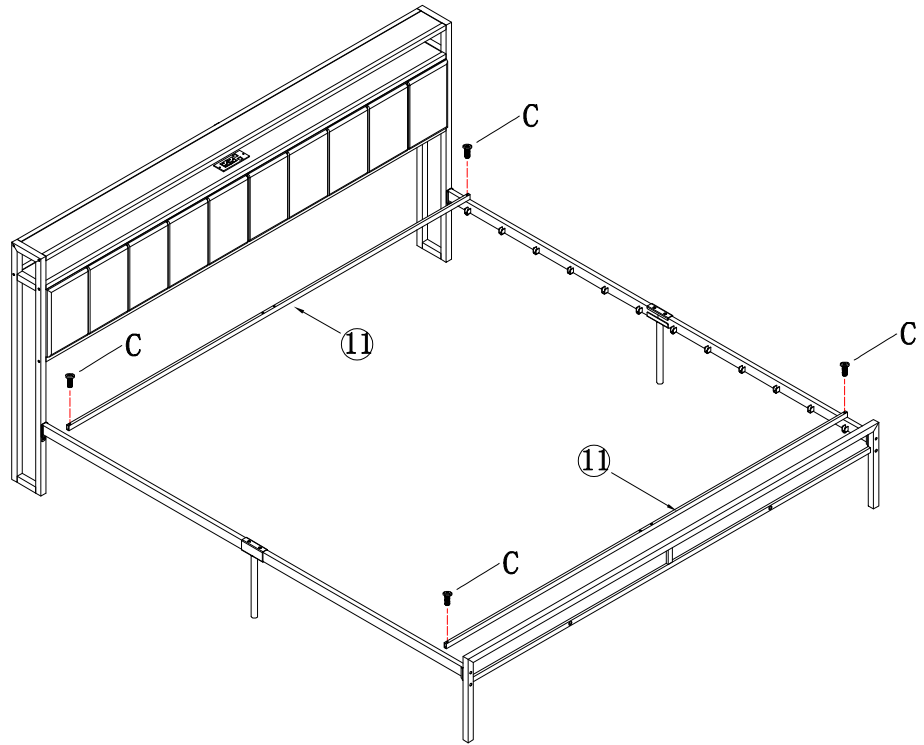
6





A		4PCS
E		8PCS
F		8PCS
I		
J		

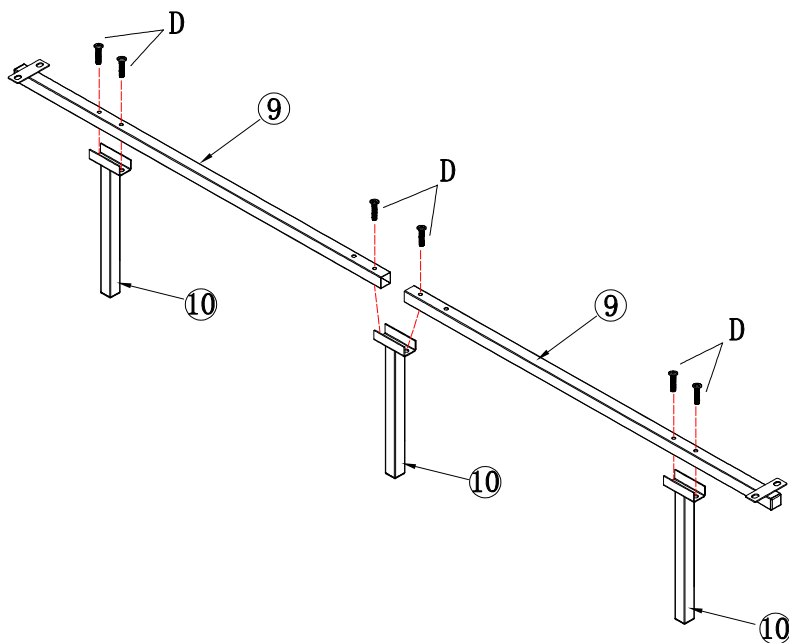
ASSEMBLY INSTRUCTIONS



7



C		4PCS
I		

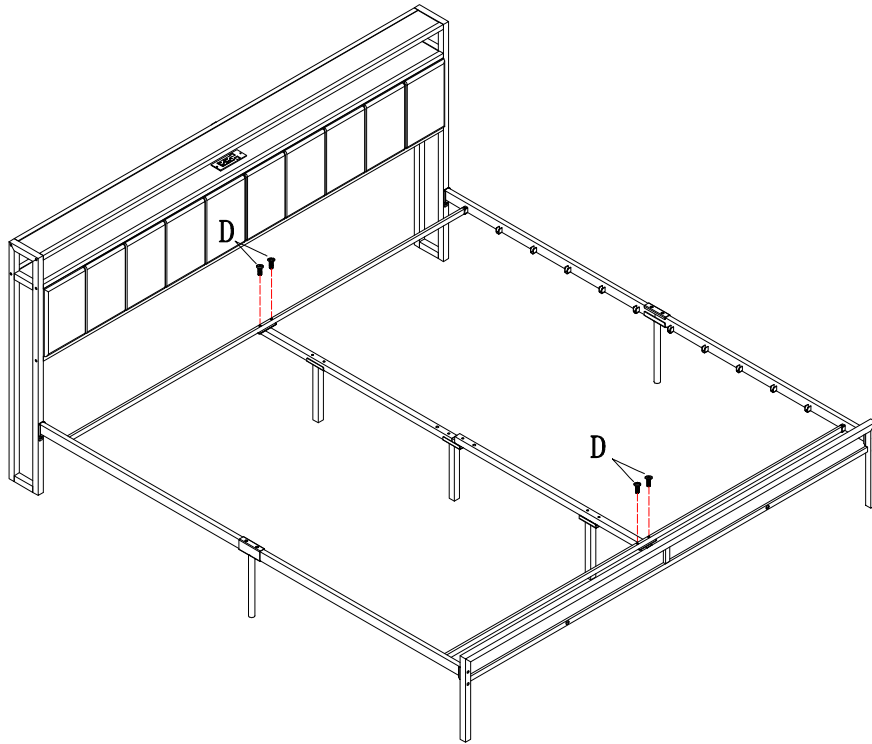
8





D		6PCS
I		

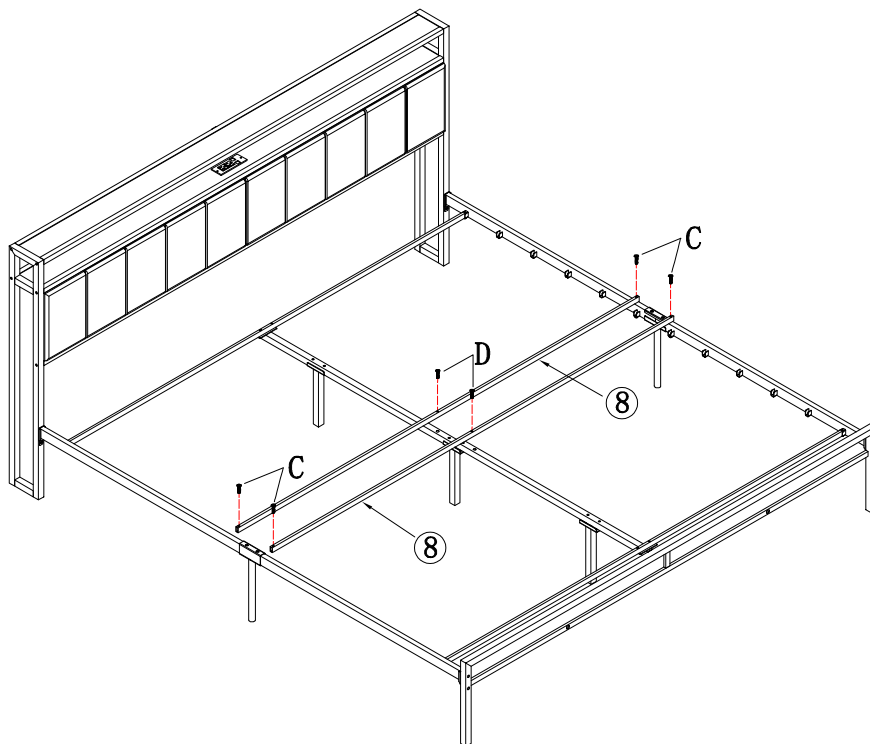
ASSEMBLY INSTRUCTIONS




9



D		4PCS
I		

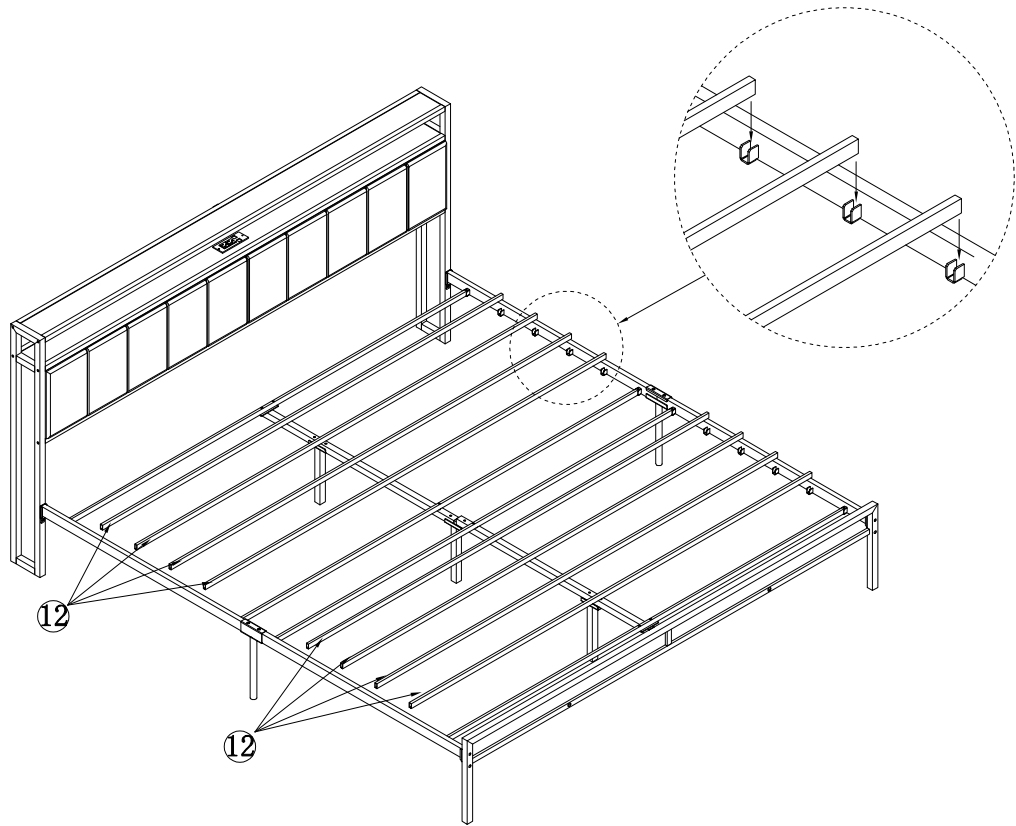
10



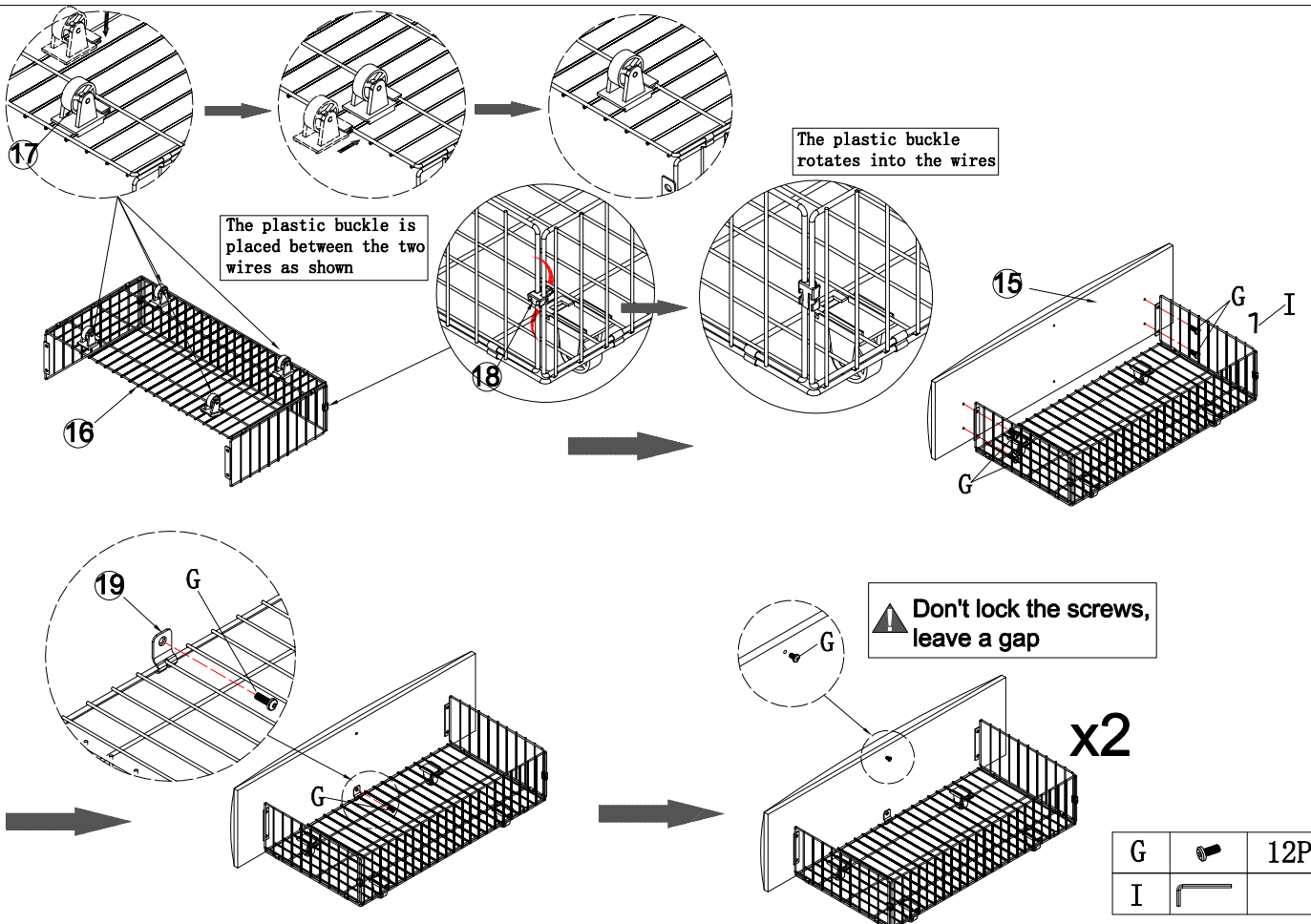
C		4PCS
D		2PCS
I		

ASSEMBLY INSTRUCTIONS

11

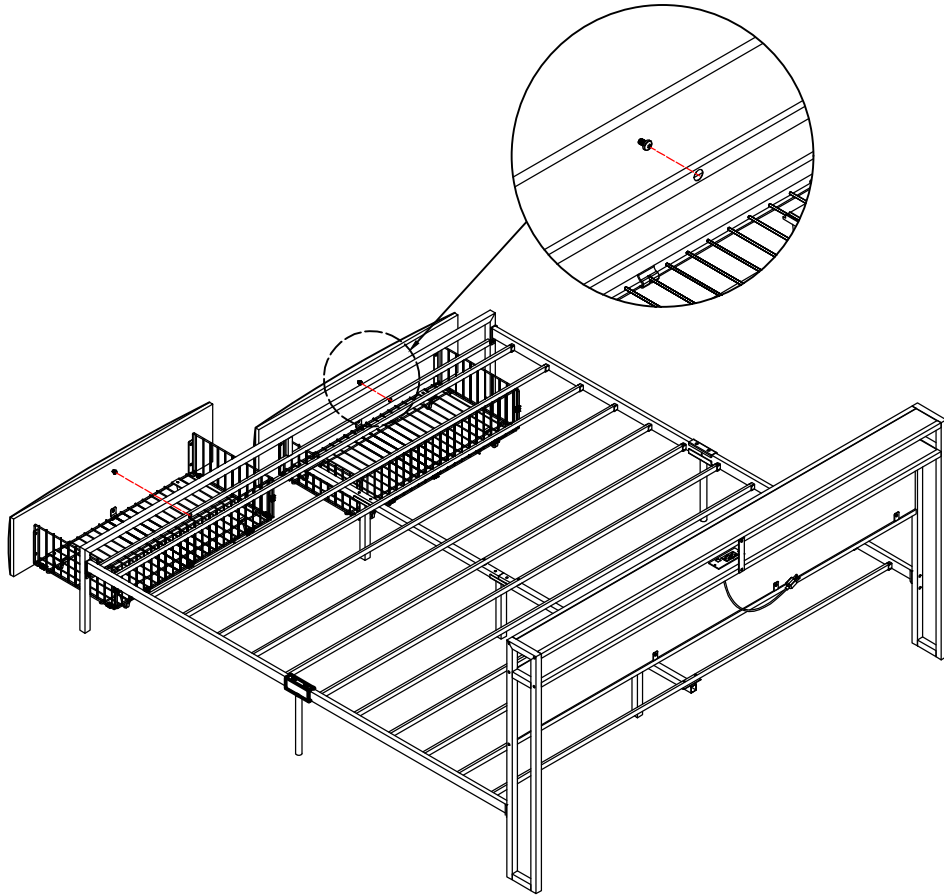


12

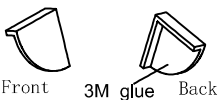
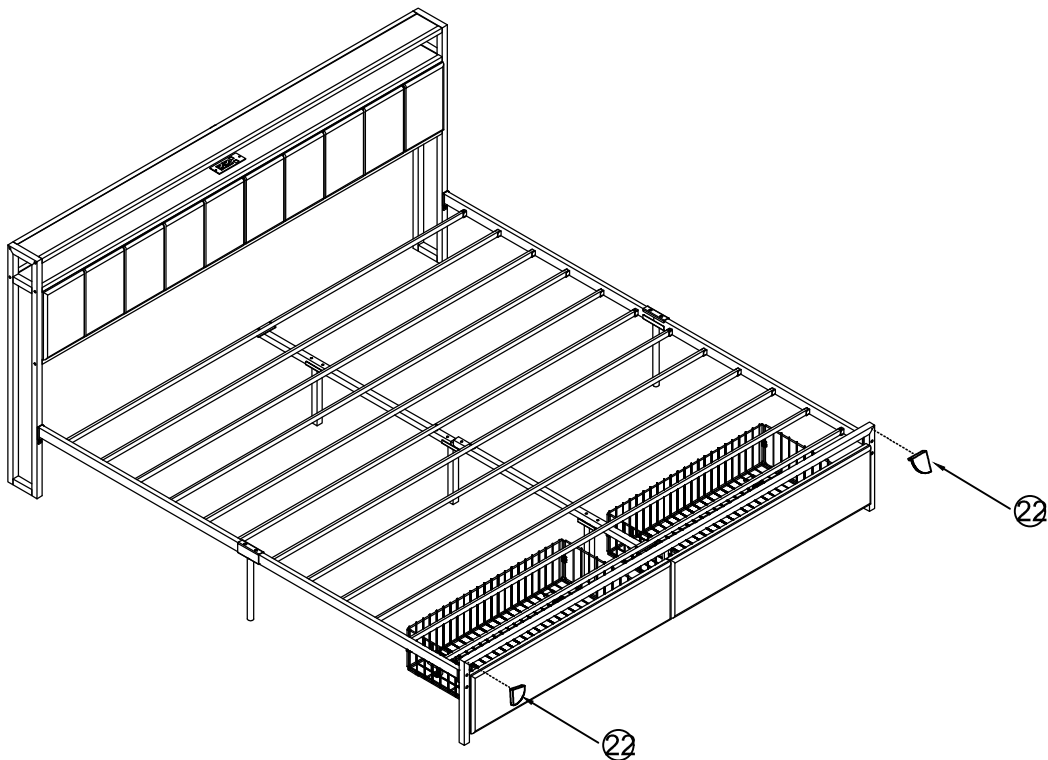


ASSEMBLY INSTRUCTIONS

13



14

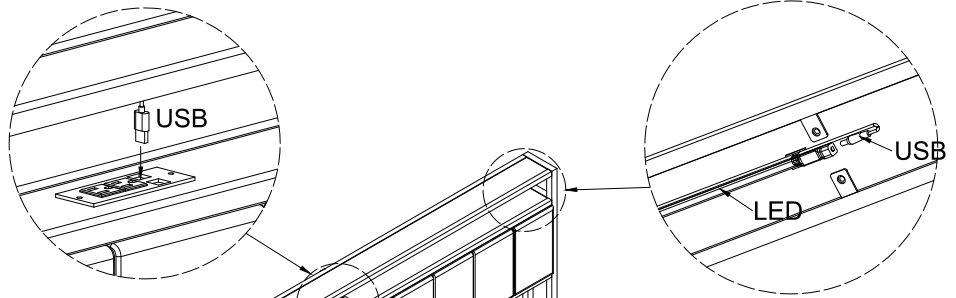
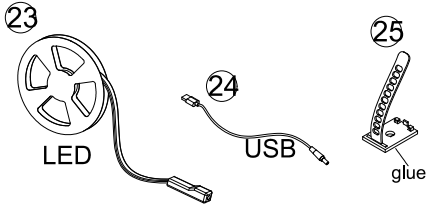


Front 3M glue Back

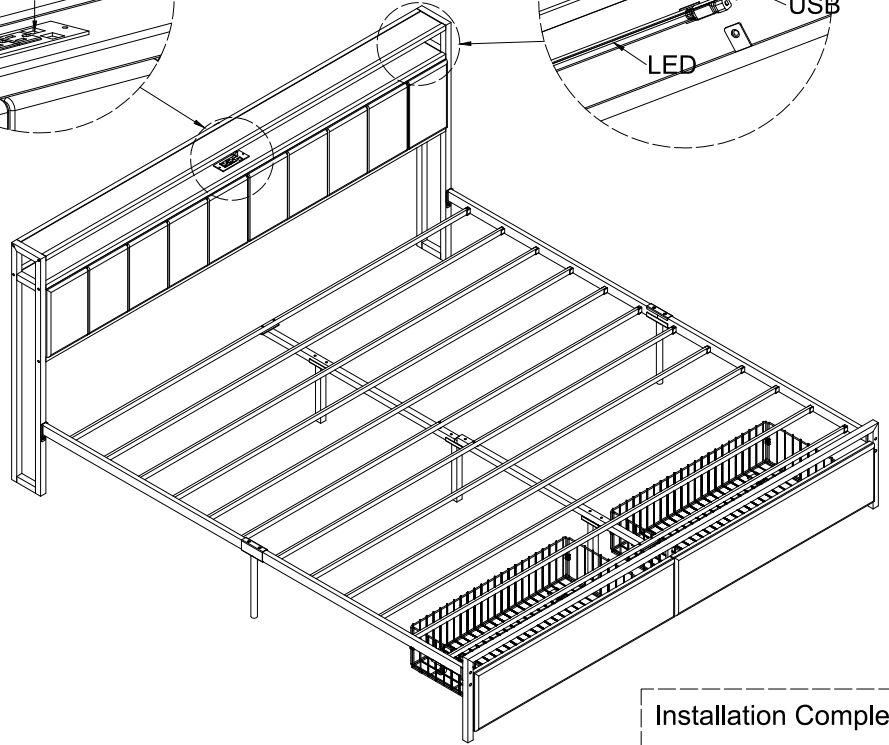
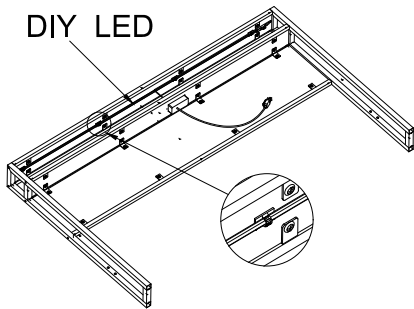
Turn over the rubber anti-collision block, tear off the paper, and stick 3M glue on the foot of the bed.

Attach the LED strip on the back of the top board, or wherever you need it to be.

DIY LED



DIY LED



Installation Complete