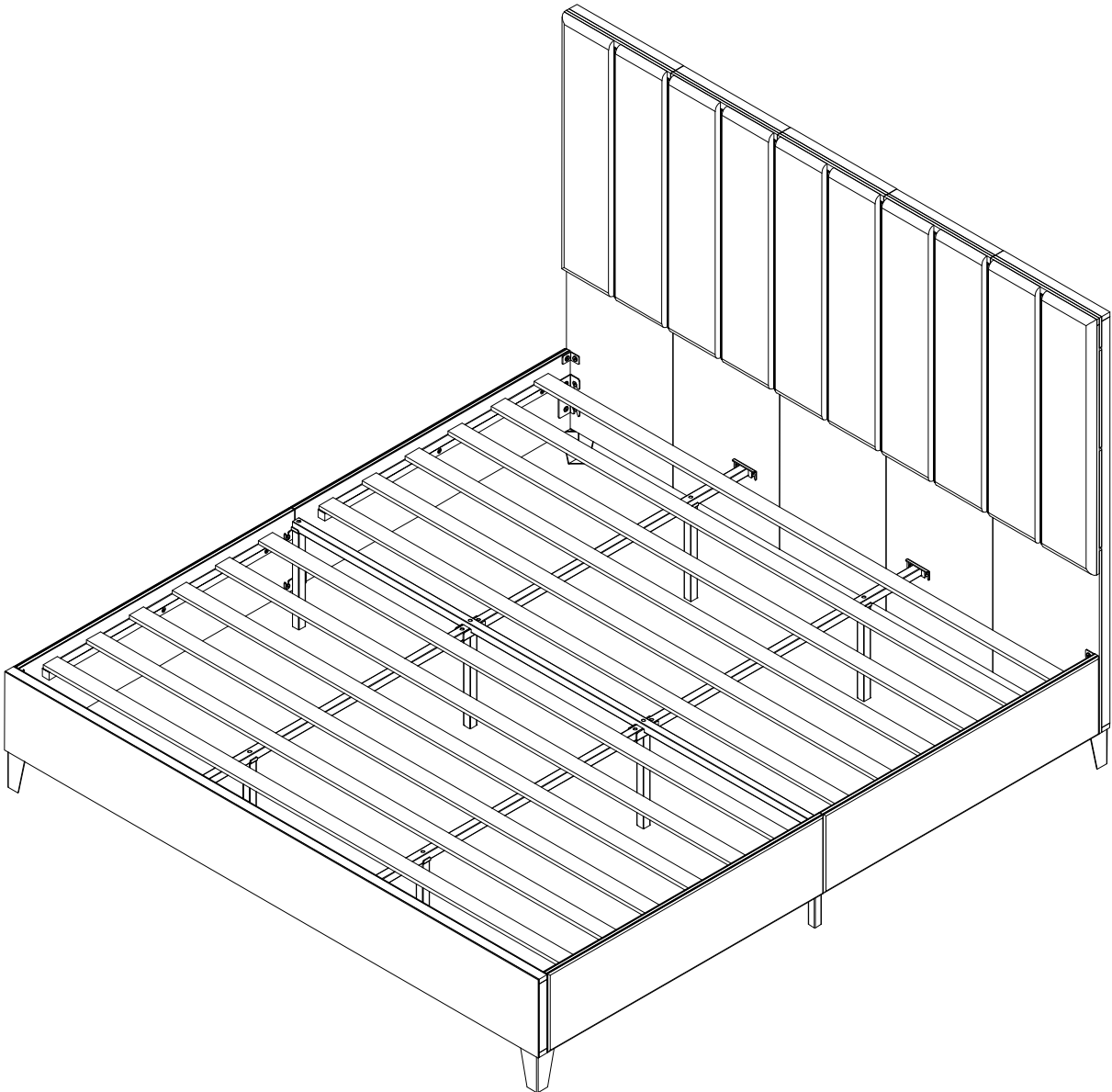


Velvet Upholstered Bed with Metal Trim BHB028K



Friendly Customer Service

Satisfaction Guarantees: Any problems with assembly, quality, or return, please free to contact us directly.

Contact us

Phone: +1(901)347-2181 (US) Mon-Fri 9am-5pm (PST)

E-Mail: support@jocisland.com (Get efficient feedback within 12 hours)

IMPORTANT/WICHTIG/ATENCION

IMPORTANT/IMPORTANTE



EN-We recommend 2 or more people to install.
DE-Wir empfehlen, dass die Montage von 2 oder mehreren Personen durchgeführt werden sollte.
ES-Recomendamos realizar el ensamble con 2 o más personas.
FR -Il est recommandé d'effectuer le montage à 2 personne(s) ou plus.
IT -È necessaria la presenza di 2 o più persone per il montaggio di questo prodotto.



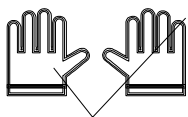
EN-The expected assembly time is 1 h.
DE-Die Montagezeit beträgt durchschnittlich 1 h.
ES-El tiempo aproximado de ensamble es de 1 h.
FR-Le temps nécessaire est estimé à 1 h.
IT-Il tempo previsto per il corretto assemblaggio è di 1 h.



EN-Not intended for use by children.
DE-Nicht geeignet für Kinder.
ES-Producto no apto para niños.
FR -Produit non destiné à être utilisé par des enfants.
IT - Questo prodotto non è destinato all'uso da parte dei bambini.

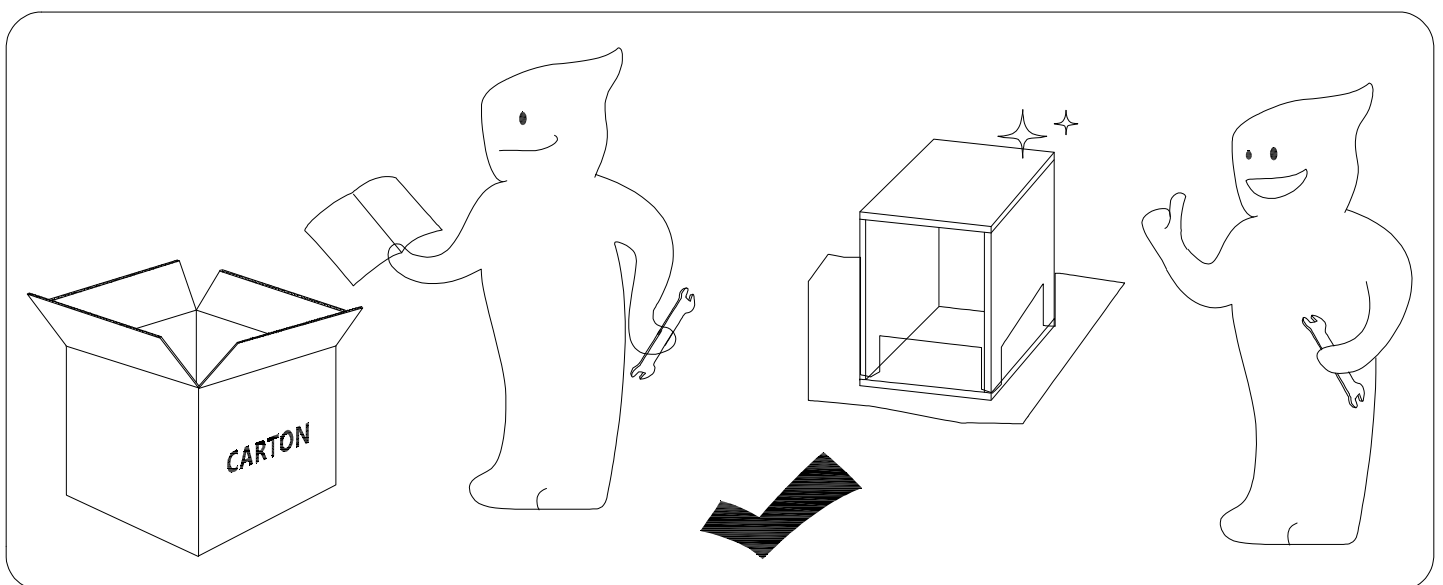
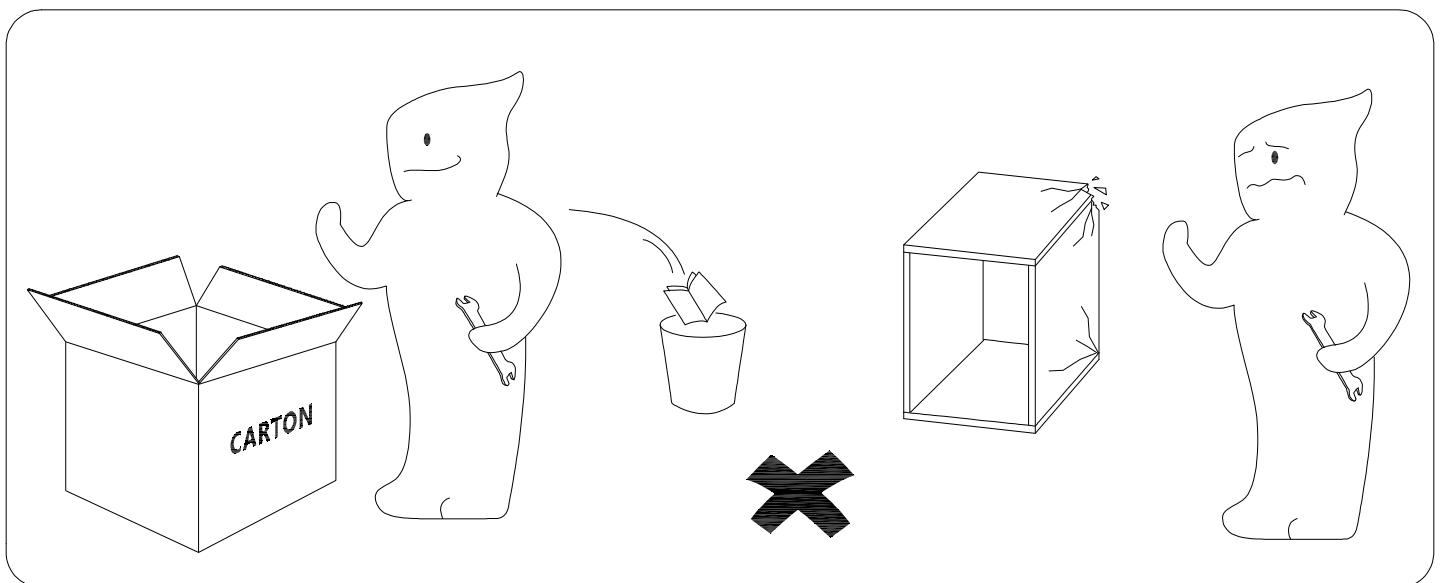


EN-Keep away from fire or other heat sources.
DE-Bitte von Feuer und Hitzequellen fernhalten.
ES -Manténgase alejado de las llamas y otras fuentes de calor.
FR -Tenir à distance des flammes et autres sources de chaleur.
IT -Tenere lontano dal fuoco o da altre fonti di calore.

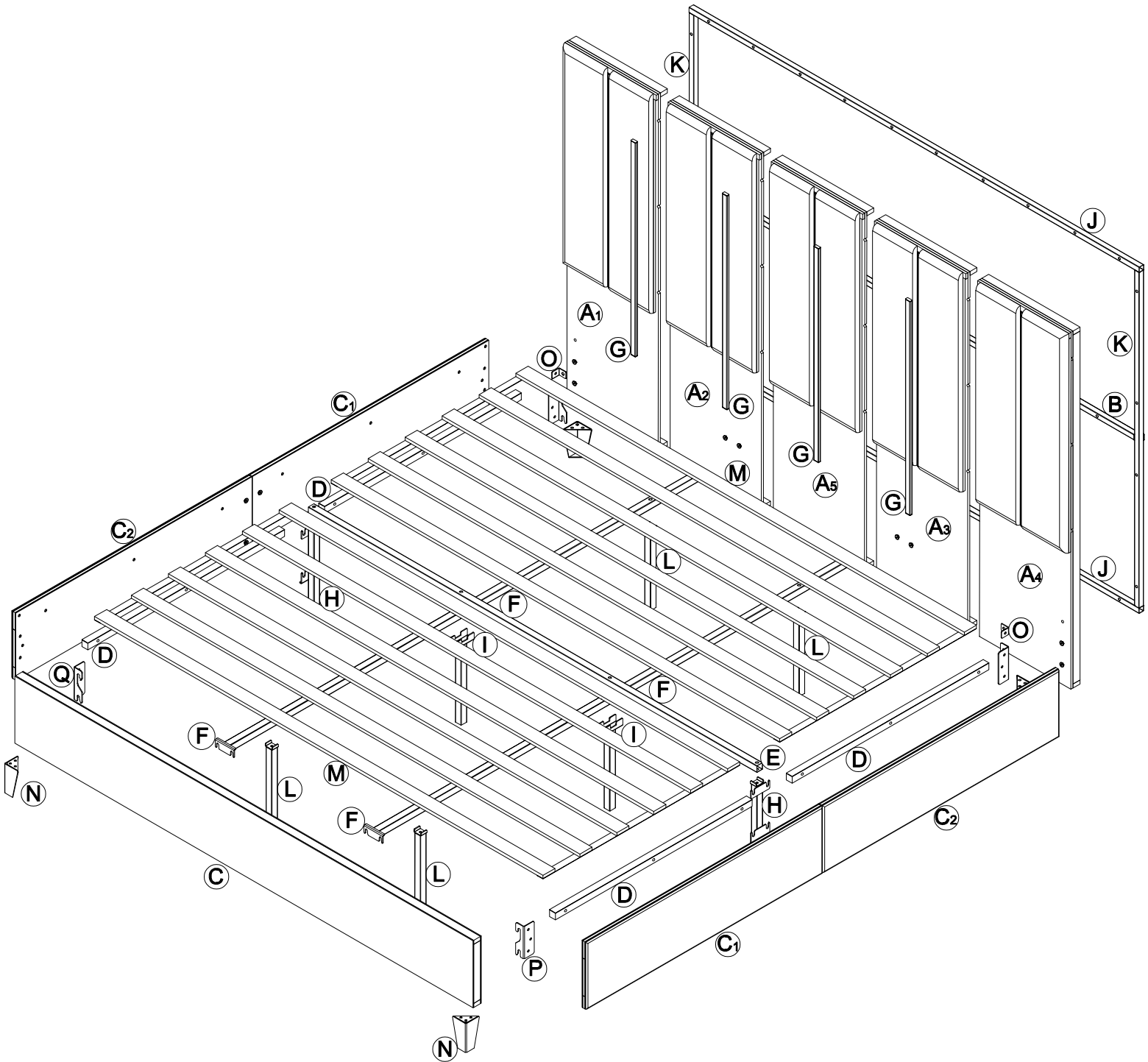


EN-We recommend wearing protective gloves.
DE-Wir empfehlen das Tragen von Schutzhandschuhen.
ES-Recomendamos el uso de guantes de seguridad.
FR-Il est recommandé de porter des gants de protection.
IT-Per il processo di assemblaggio, consigliamo fortemente l'utilizzo di guanti protettivi.

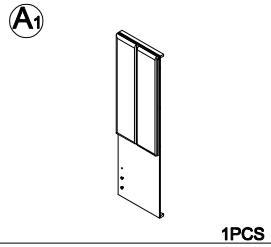
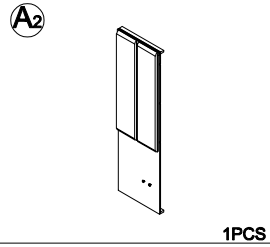
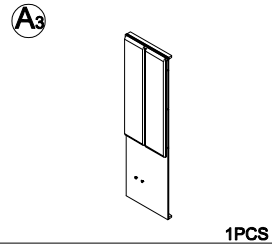
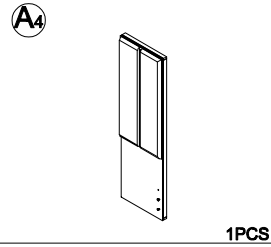
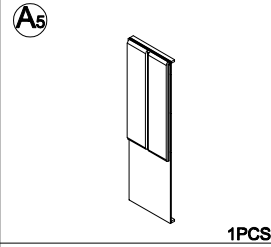
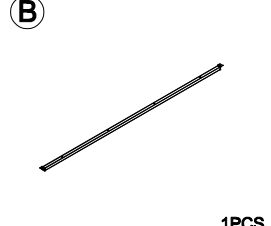
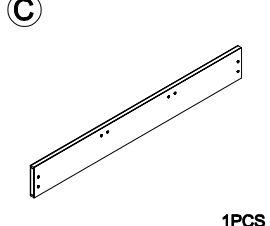
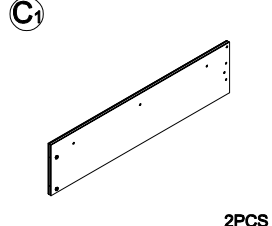
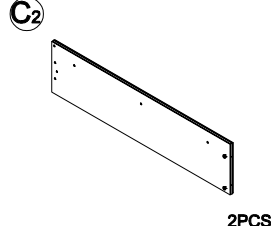
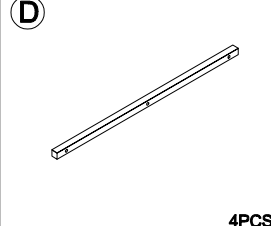
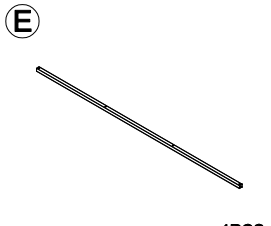
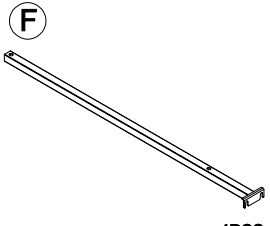
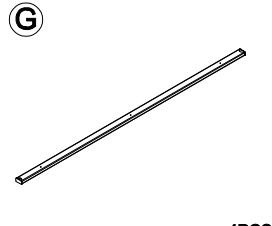
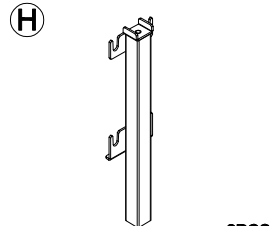
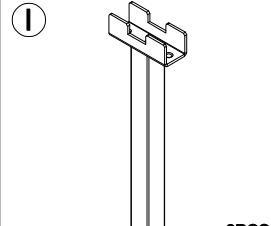
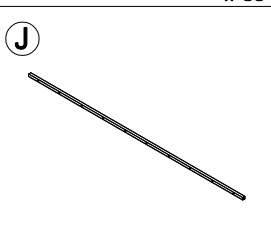
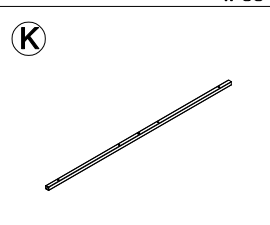
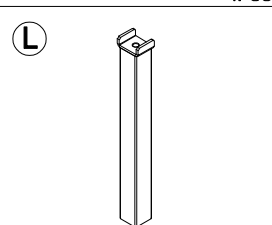
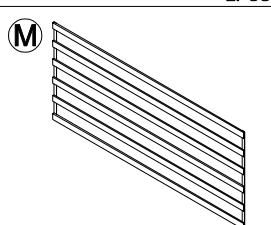
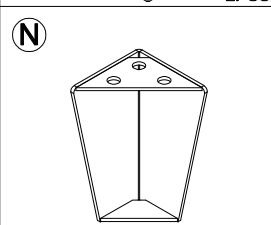
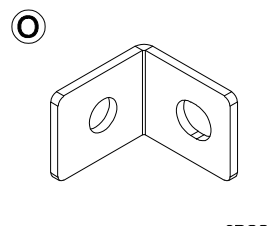
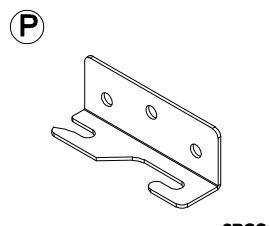
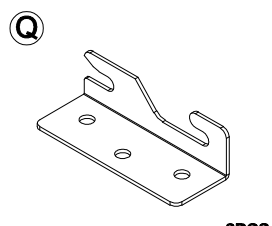
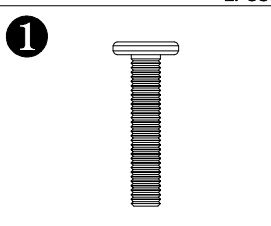
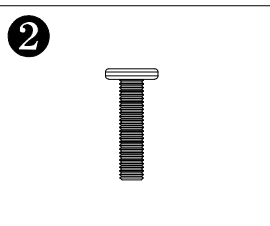
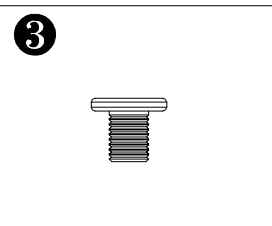
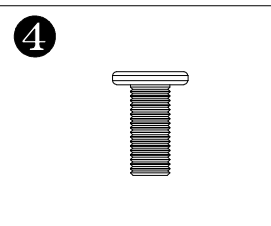
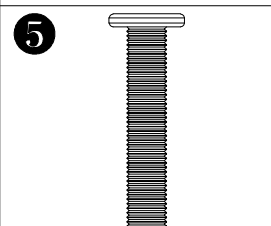
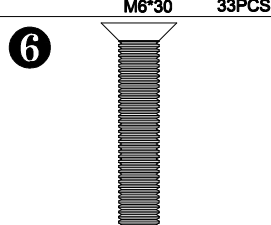
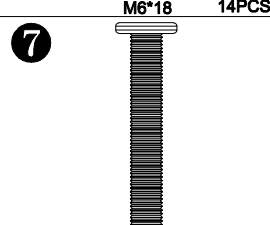
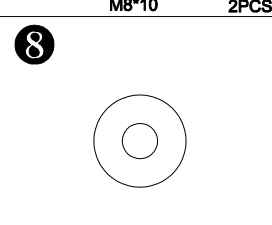
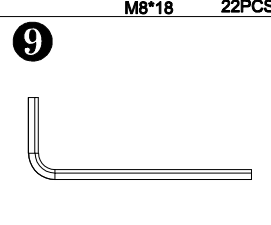
EN - Please follow the instruction manuals and use a pad to avoid damage during assembly.
DE - Bitte folgen Sie der Anleitung und verwenden Sie eine Unterlage, um Beschädigungen bei der Montage zu vermeiden.
ES - Por favor, siga las instrucciones del manual y utilice una cubierta o lona para proteger el producto y el suelo durante la instalación.
FR - Suivez les instructions de la notice et utilisez une couverture ou une bache pour protéger le produit et les sols pendant le montage.
IT - Si prega di consultare il manuale illustrativo durante il montaggio e di utilizzare un cuscinetto per evitare possibili danni.



ASSEMBLY INSTRUCTIONS

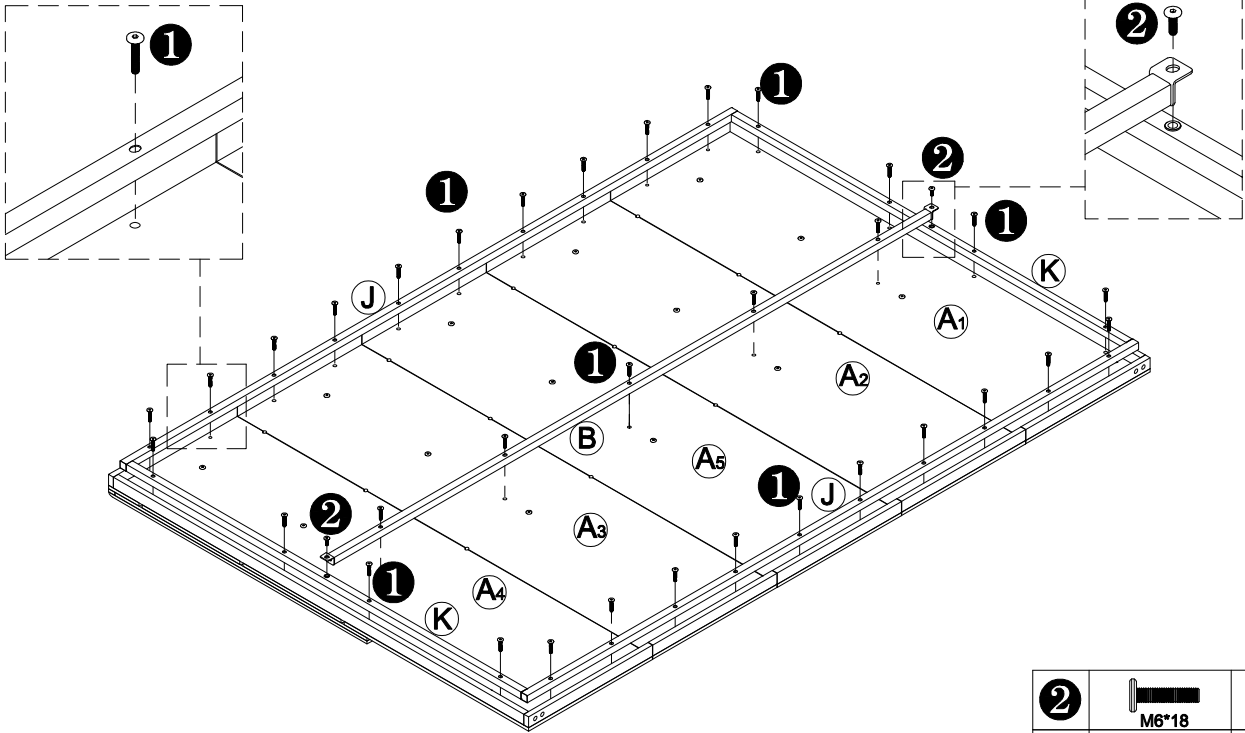




PARTS LIST

 A1 1PCS	 A2 1PCS	 A3 1PCS	 A4 1PCS	 A5 1PCS
 B 1PCS	 C 1PCS	 C1 2PCS	 C2 2PCS	 D 4PCS
 E 1PCS	 F 4PCS	 G 4PCS	 H 2PCS	 I 2PCS
 J 2PCS	 K 2PCS	 L 4PCS	 M 2PCS	 N 4PCS
 O 2PCS	 P 2PCS	 Q 2PCS		
 1 M6*30 33PCS	 2 M6*18 14PCS	 3 M8*10 2PCS	 4 M8*18 22PCS	 5 M8*40 10PCS
 6 M8*43 12PCS	 7 M8*50 2PCS	 8 Ø20*Ø7*T1.5 12PCS	 9 4*80 1PCS	

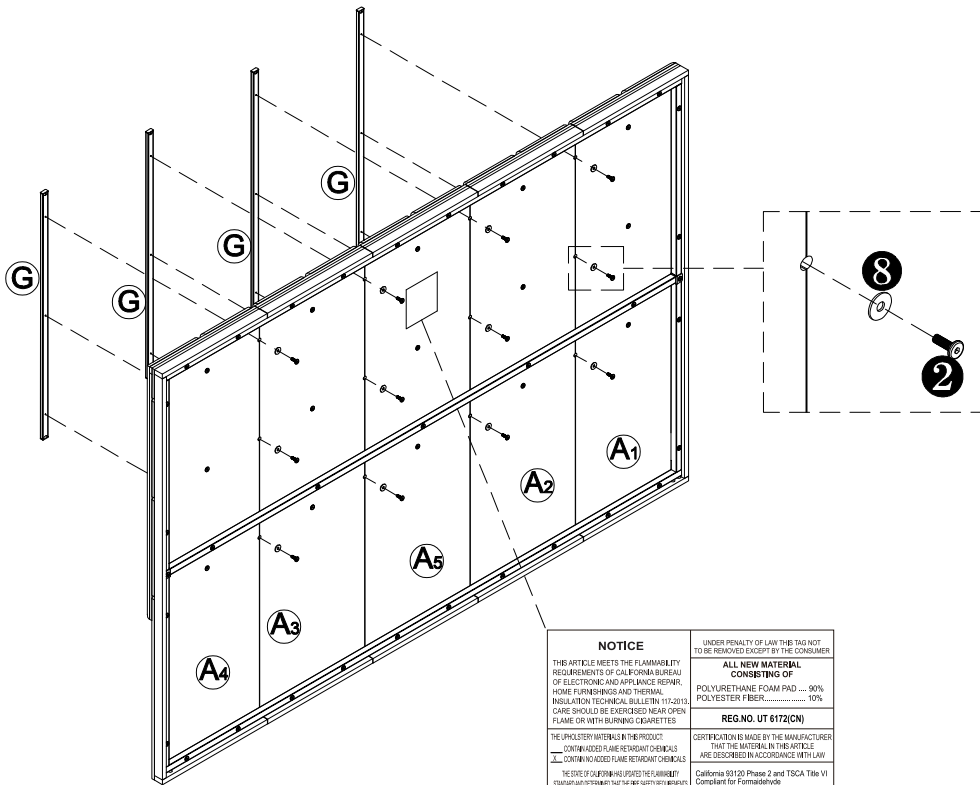
ASSEMBLY INSTRUCTIONS

1



2		2PCS
1		33PCS

2



NOTICE

THE ARTICLE MEETS THE FLAMMABILITY REQUIREMENTS OF CALIFORNIA BUREAU OF ELECTRONIC AND APPLIANCE REPAIR, HOME FURNISHINGS AND THERMAL INSULATION TECHNICAL BULLETIN 117-2013. CARE SHOULD BE EXERCISED NEAR OPEN FLAME OR WITH SMOKING CIGARETTES.

THE POLYESTER MATERIALS IN THE PRODUCT CONTAIN NO ADDED FLAME RETARDANT CHEMICALS. THE POLYURETHANE FOAM PAD CONTAINS NO ADDED FLAME RETARDANT CHEMICALS.

THE STATE OF CALIFORNIA HAS UPDATES THE FLAMMABILITY STANDARDS DESCRIBED IN THE PREVIOUS REQUIREMENTS FOR THE PRODUCT OR REVISIONS TO THE FLAME RETARDANT CHEMICALS REQUIREMENTS TO ORIGINALLY SUBJECT TO CALIFORNIA BUREAU OF ELECTRONIC AND APPLIANCE REPAIR.

UNDER PENALTY OF LAW THIS TAG NOT TO BE REMOVED EXCEPT BY THE CONSUMER

ALL NEW MATERIAL
CONSISTING OF

POLYURETHANE FOAM PAD 90%
POLYESTER FIBER 10%



REG. NO. UT 6172(CN)

CERTIFICATIONS MADE BY THE MANUFACTURER THAT THE MATERIAL IN THE ARTICLE ARE DESCRIBED IN ACCORDANCE WITH LAW

California 60120 Phase 2 and TSCA Title VI Compliant for Formaldehyde

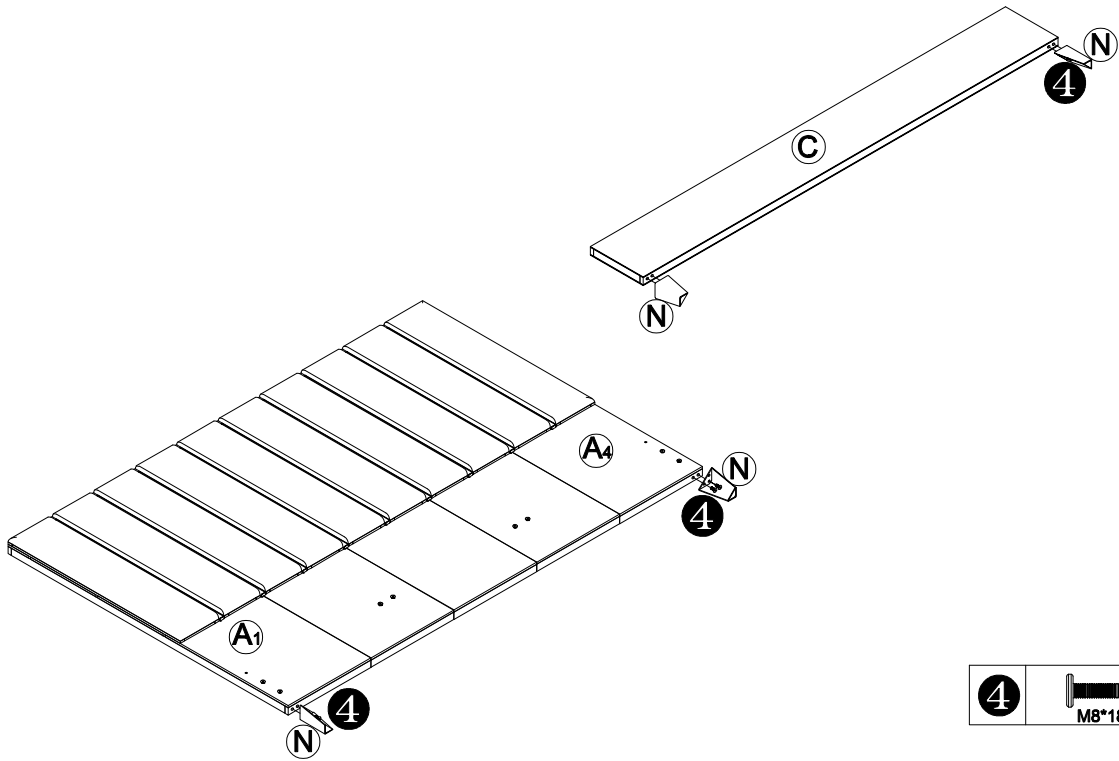
MADE IN CHINA

WARNING: This product can expose you to chemicals including wood dust, which is known to the State of California to cause cancer. For more information go to www.P669Warnings.ca.gov/furniture

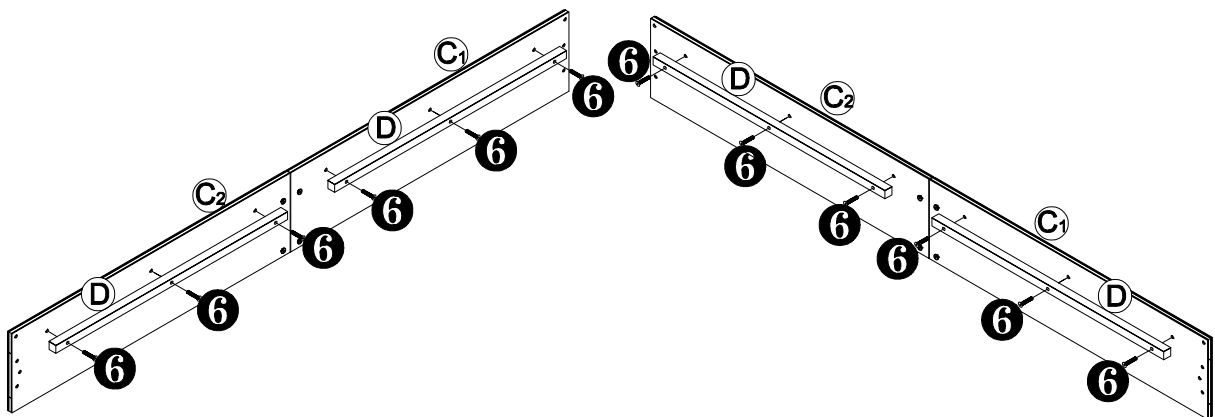
2		12PCS
8		12PCS

ASSEMBLY INSTRUCTIONS

3

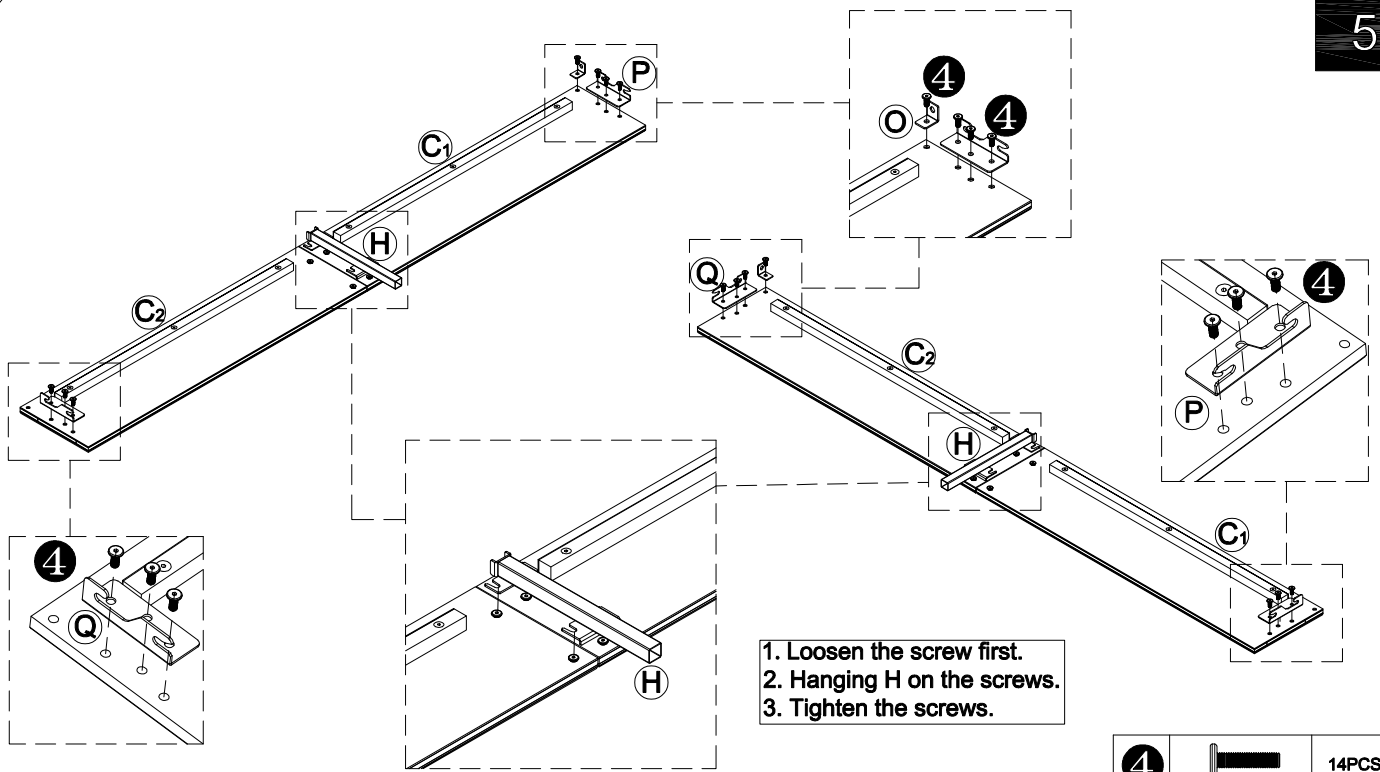


4



ASSEMBLY INSTRUCTIONS

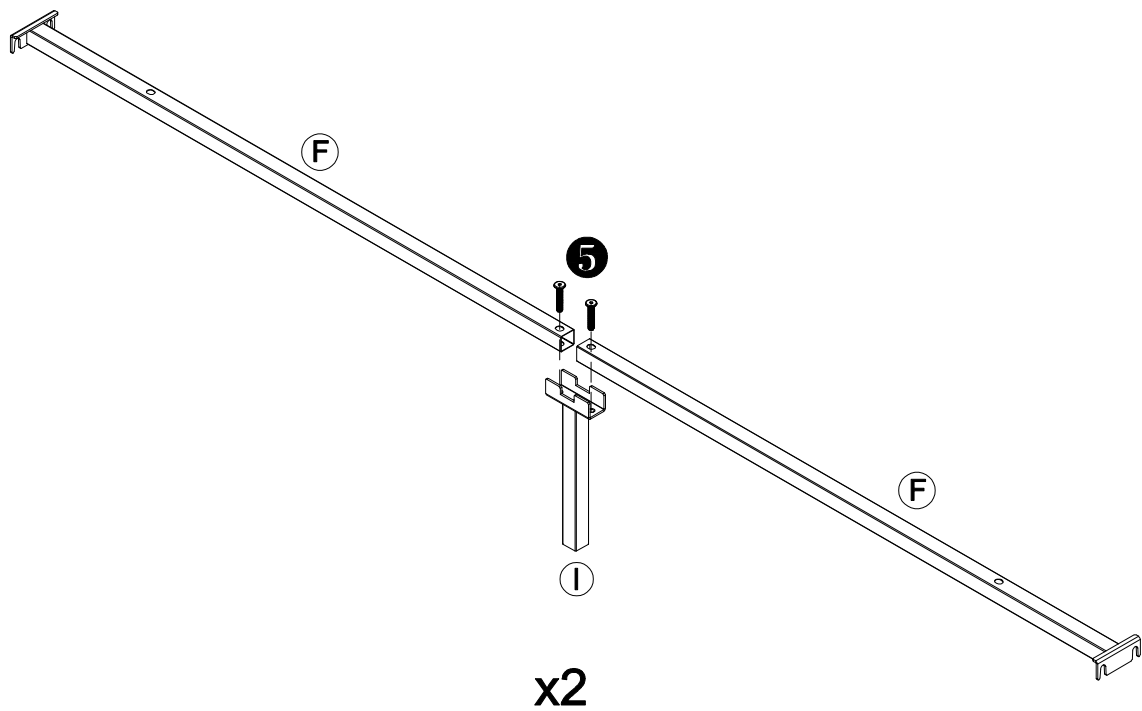
5



1. Loosen the screw first.
2. Hanging H on the screws.
3. Tighten the screws.

4		14PCS
	M8*18	

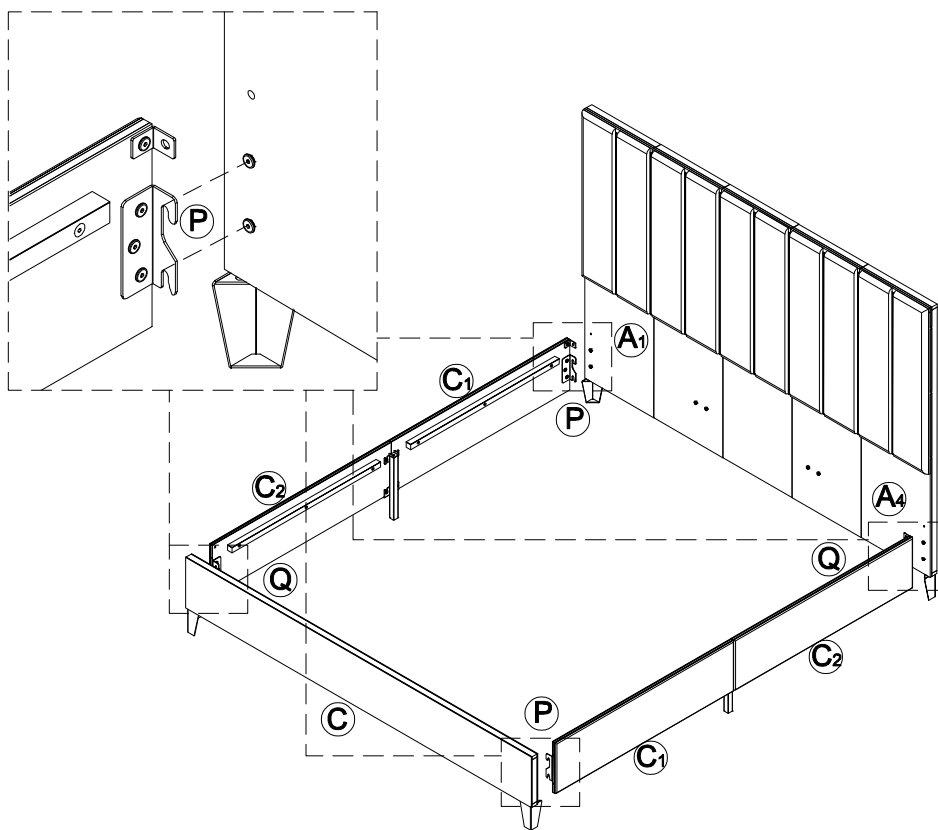
6



x2

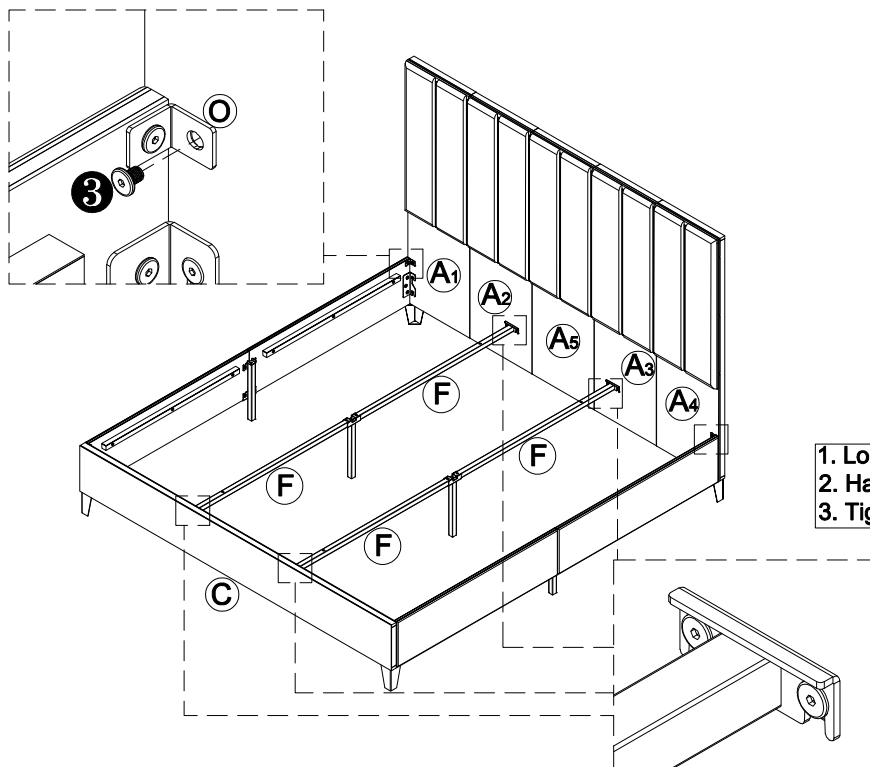
5		4PCS
	M8*40	

7



1. Loosen the screw first.
2. Hanging P/Q on the screws.
3. Tighten the screws.

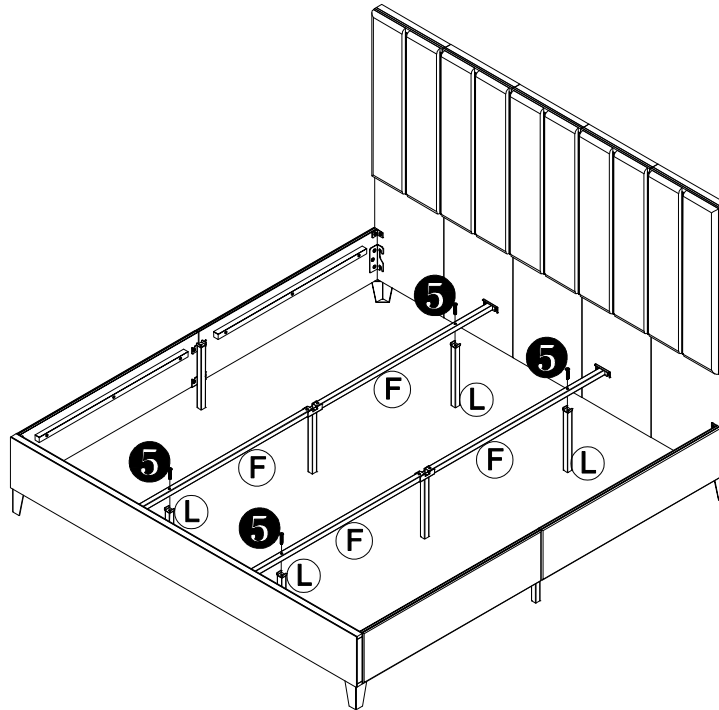
8



1. Loosen the screw first.
2. Hanging F on the screws.
3. Tighten the screws.

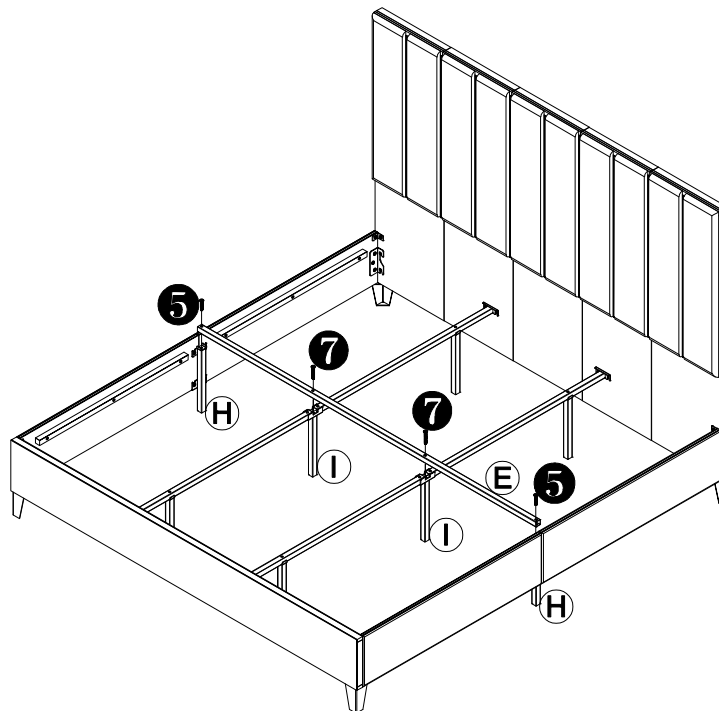




9

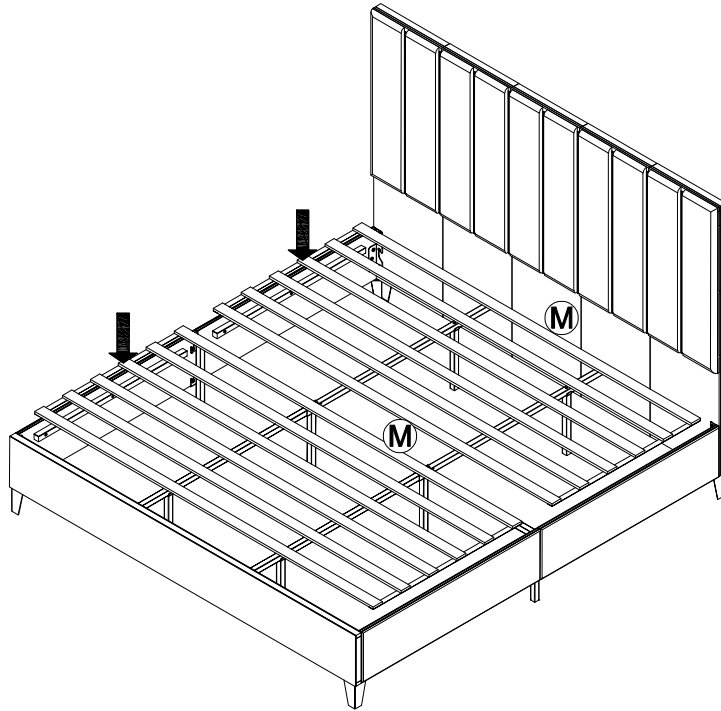


5		4PCS
	M8*40	

10



5		2PCS
	M8*40	
7		2PCS
	M8*50	



Finish

