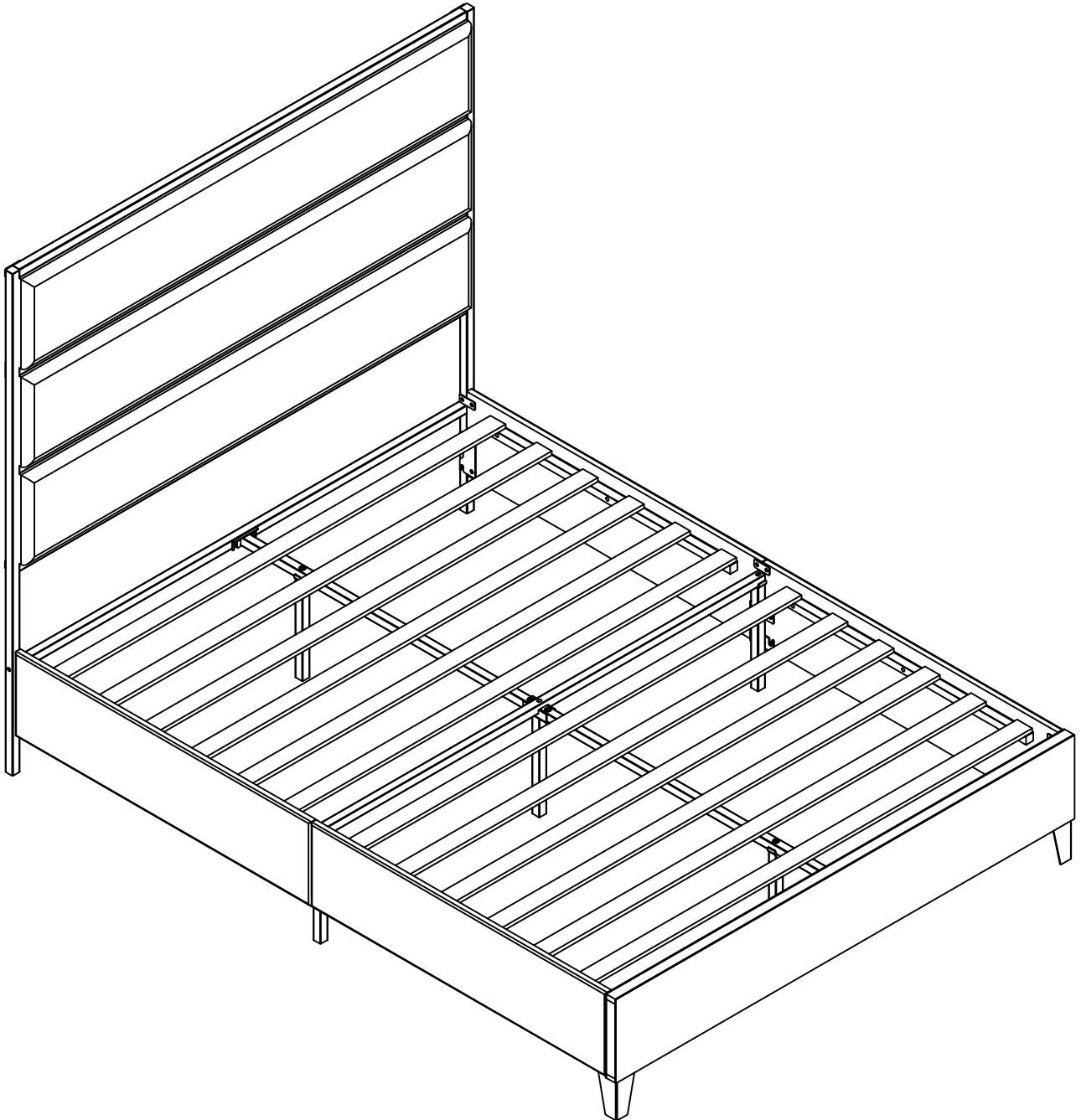


Velvet Upholstered Bed with Metal Trim



Friendly Customer Service

Satisfaction Guarantees: Any problems with assembly, quality, or return, please free to contact us directly,

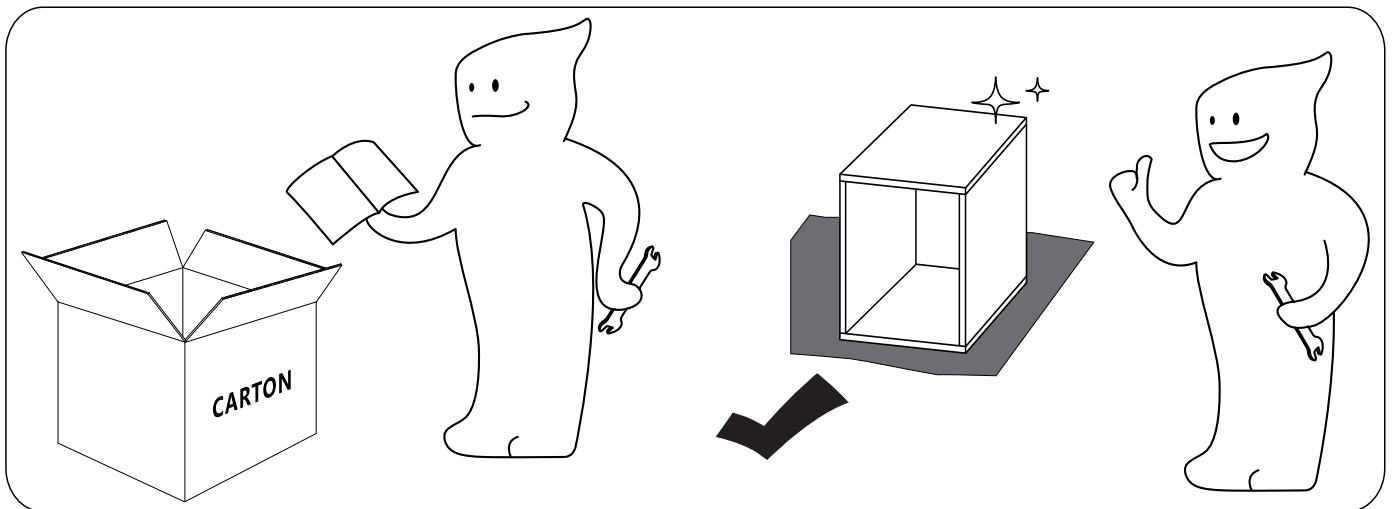
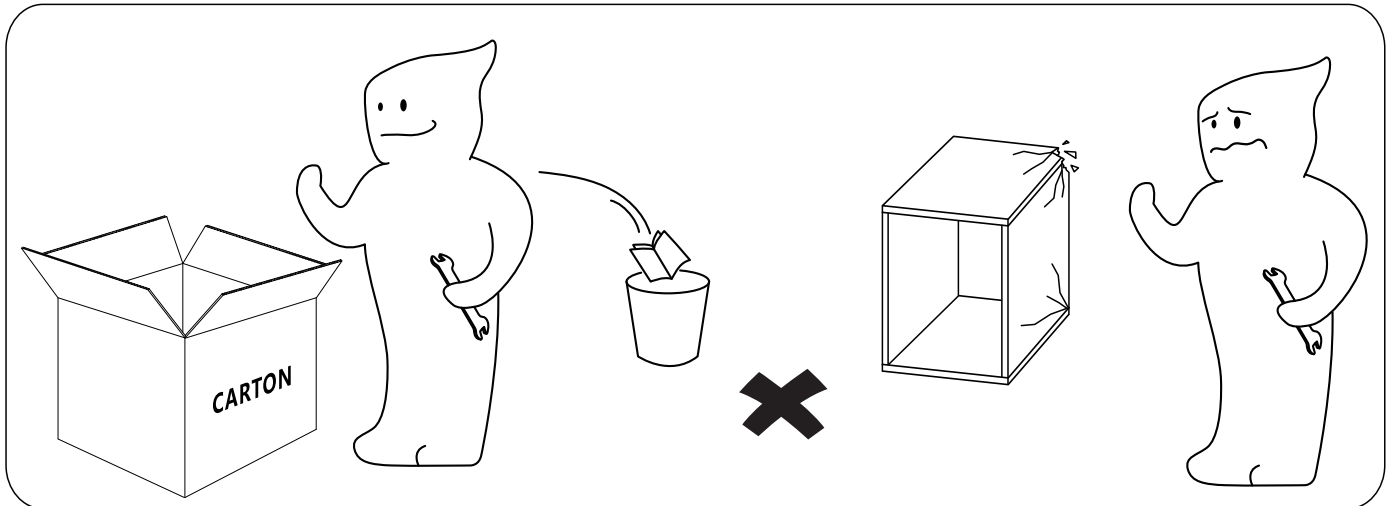
Contact us

Phone: +1(901)347-2181 (US) Mon-Fri 9am-5pm (PST)

E-Mail: cs@howedirect.com (Get efficient feedback within 12 hours)

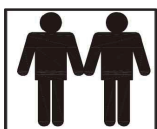
! IMPORTANT

Please follow the instruction manuals and use a pad to protect the product during your assembly.



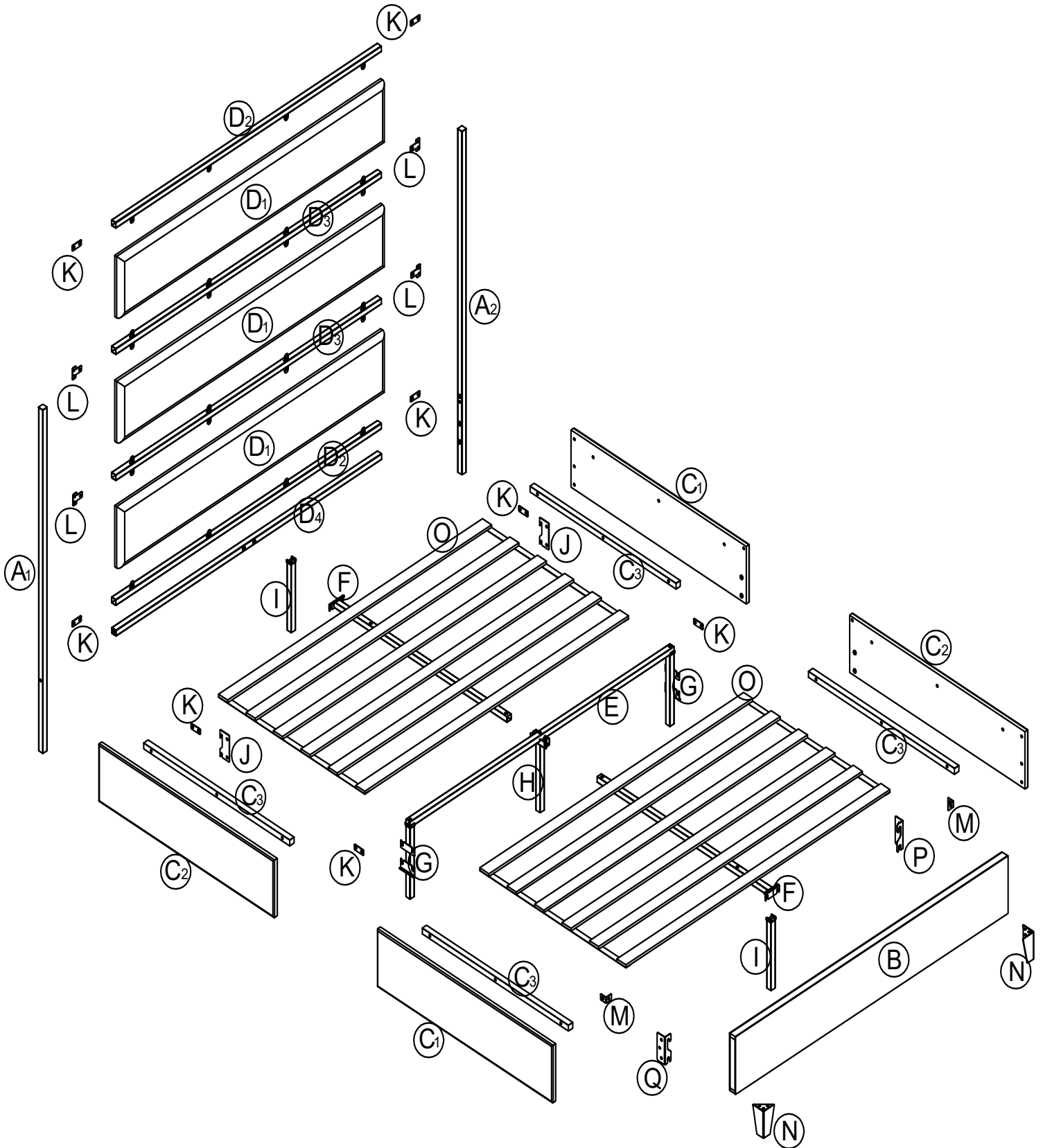
Note:

- 1. Should be assembled on flat ground to keep balance.**
- 2. Before completing the installation, do not tighten the screws.**



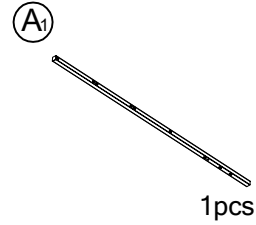
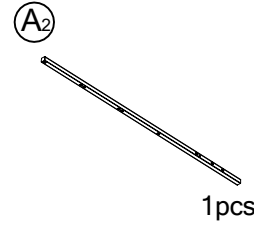
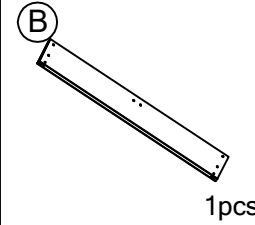
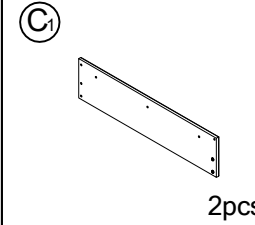
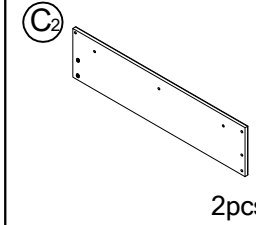
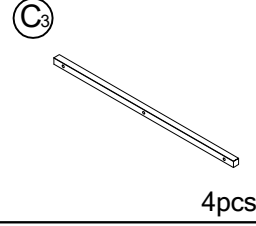
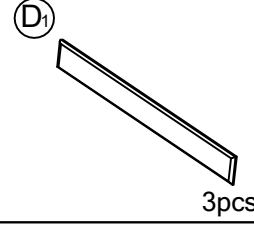
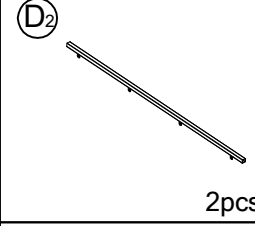
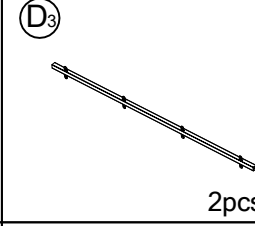
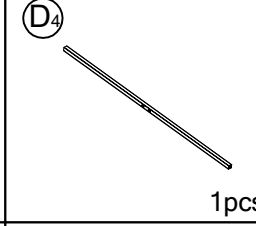
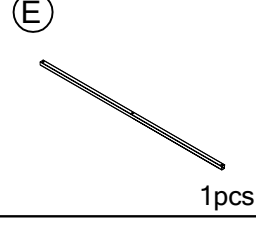
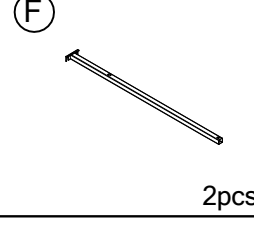
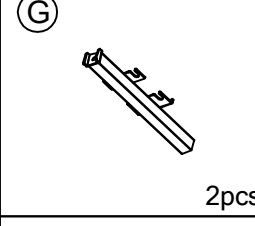
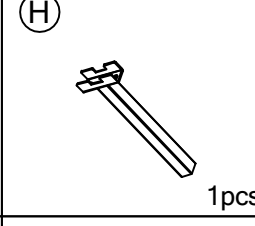
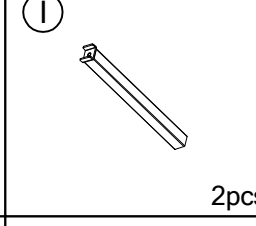
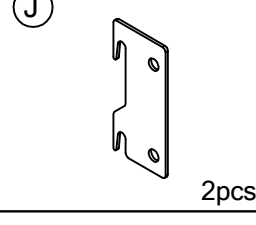
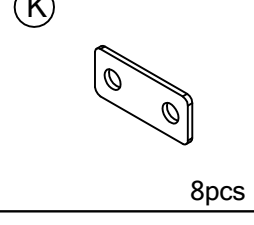
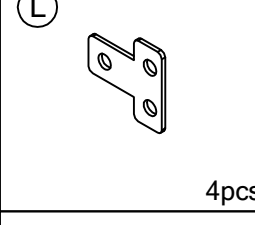
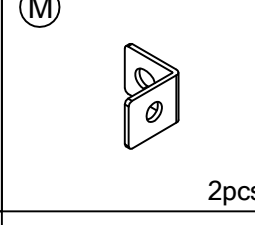
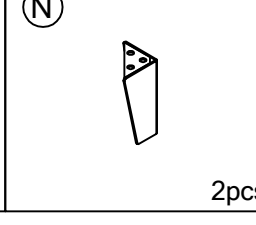
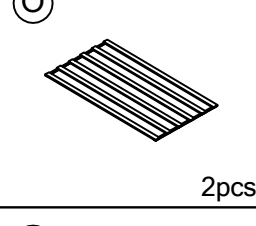
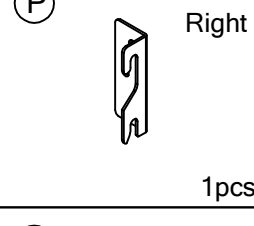
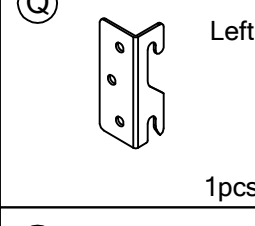
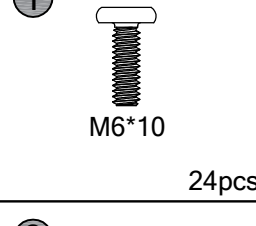
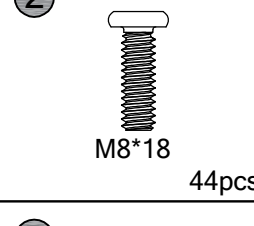
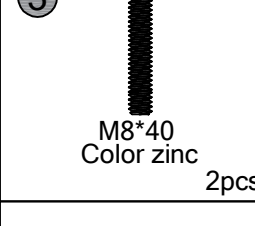
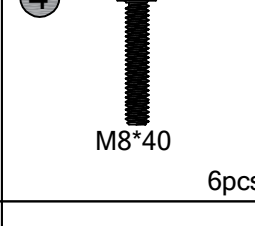
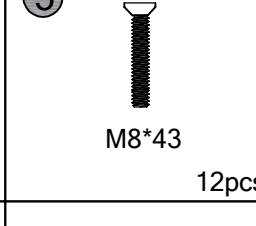

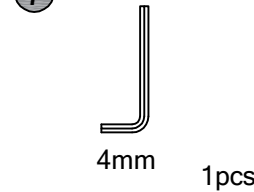
For easier and better assembly, **2** or more adults are required.

ASSEMBLY INSTRUCTIONS



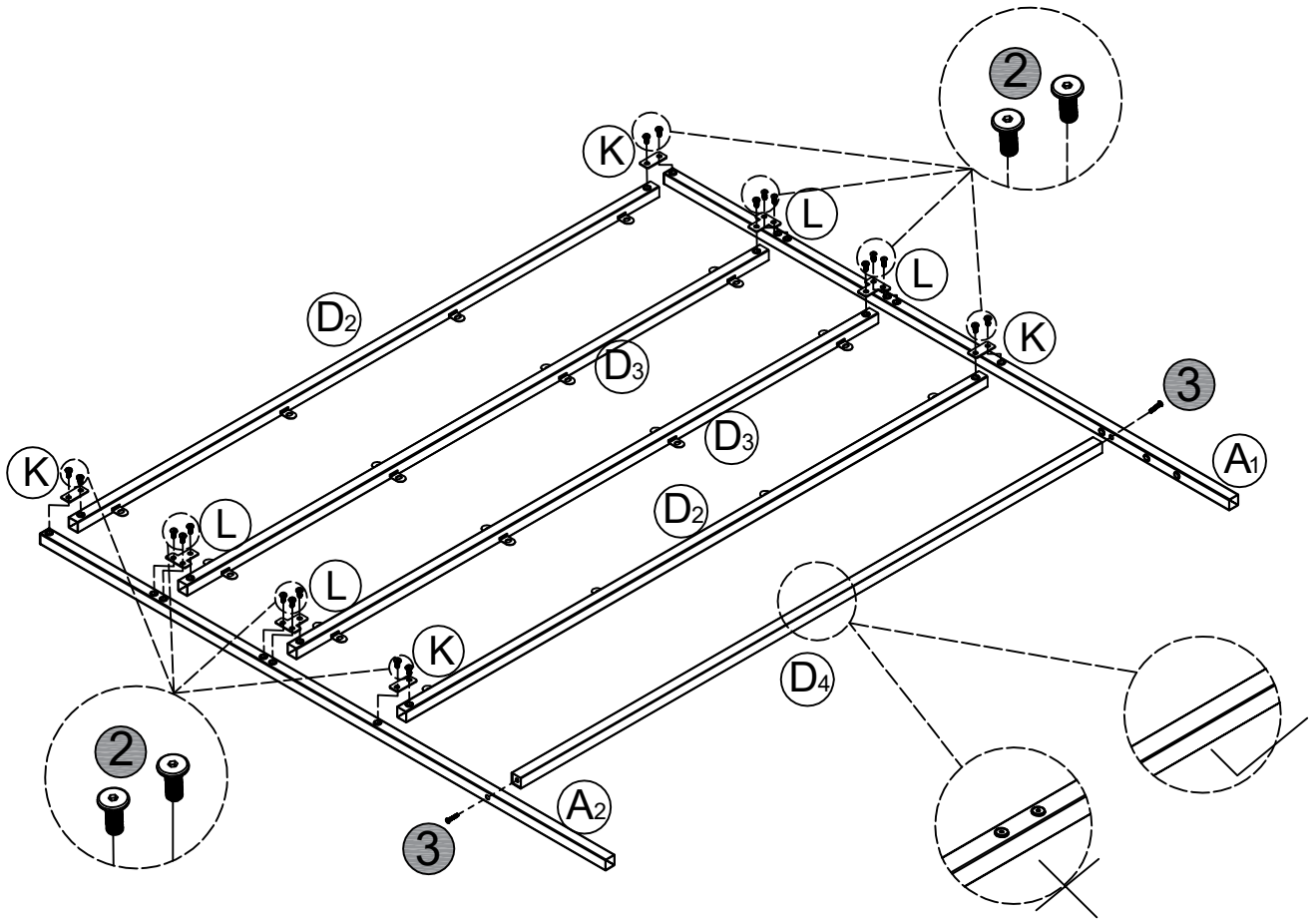
ASSEMBLY INSTRUCTIONS


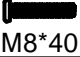
PARTS LIST

| | | | | |
|---|---|---|--|---|
|  A ₁ 1pcs |  A ₂ 1pcs |  B 1pcs |  C ₁ 2pcs |  C ₂ 2pcs |
|  C ₃ 4pcs |  D ₁ 3pcs |  D ₂ 2pcs |  D ₃ 2pcs |  D ₄ 1pcs |
|  E 1pcs |  F 2pcs |  G 2pcs |  H 1pcs |  I 2pcs |
|  J 2pcs |  K 8pcs |  L 4pcs |  M 2pcs |  N 2pcs |
|  O 2pcs |  P Right 1pcs |  Q Left 1pcs | | |
|  1 M6*10 24pcs |  2 M8*18 44pcs |  3 M8*40 Color zinc 2pcs |  4 M8*40 6pcs |  5 M8*43 12pcs |
|  6 M8*50 1pcs |  7 4mm 1pcs | | | |

ASSEMBLY INSTRUCTIONS

1



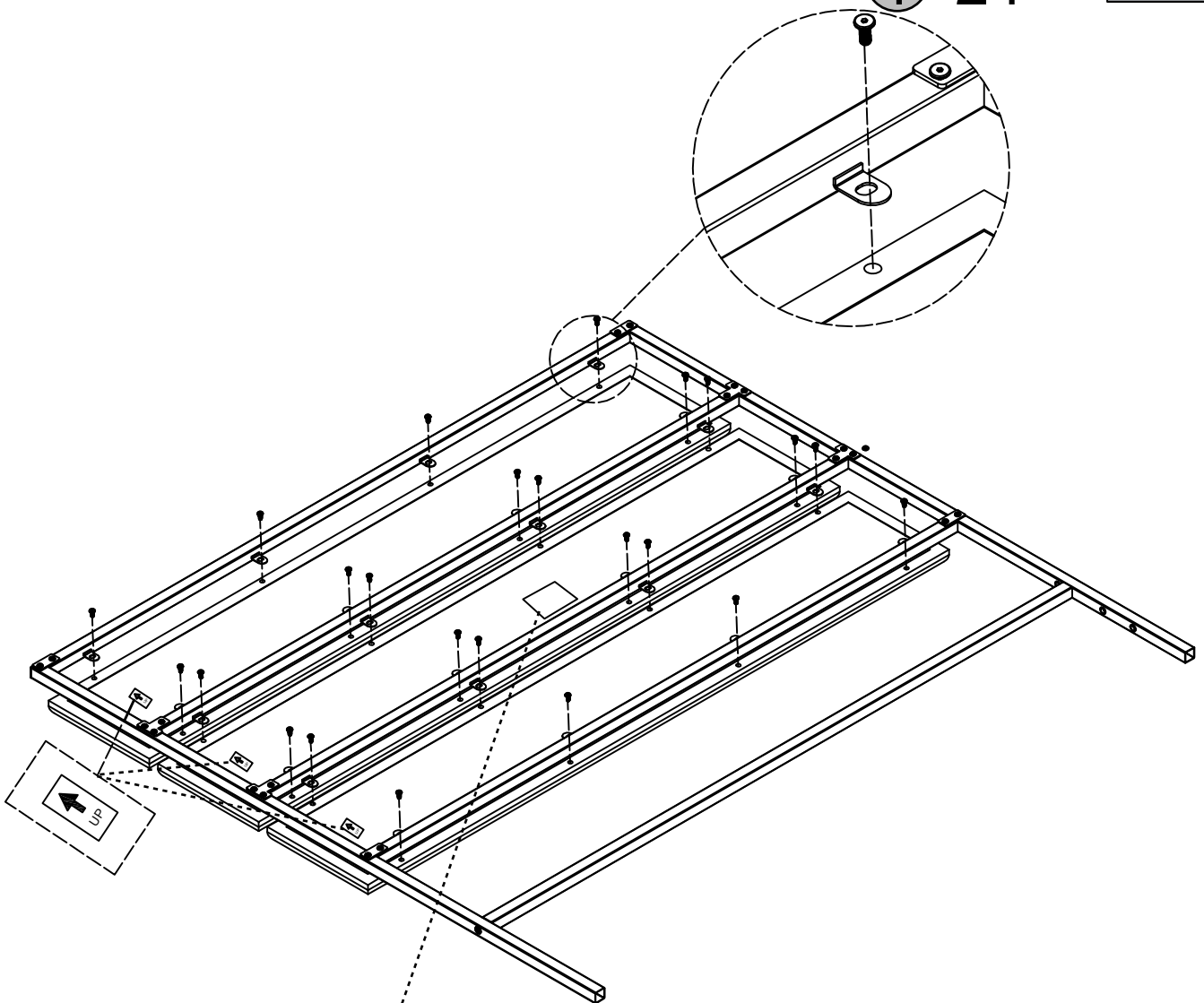
| | | |
|---|---|-------|
| ② |  M8*18 | 20pcs |
| ③ |  M8*40 | 2pcs |


Color zinc


ASSEMBLY INSTRUCTIONS

2

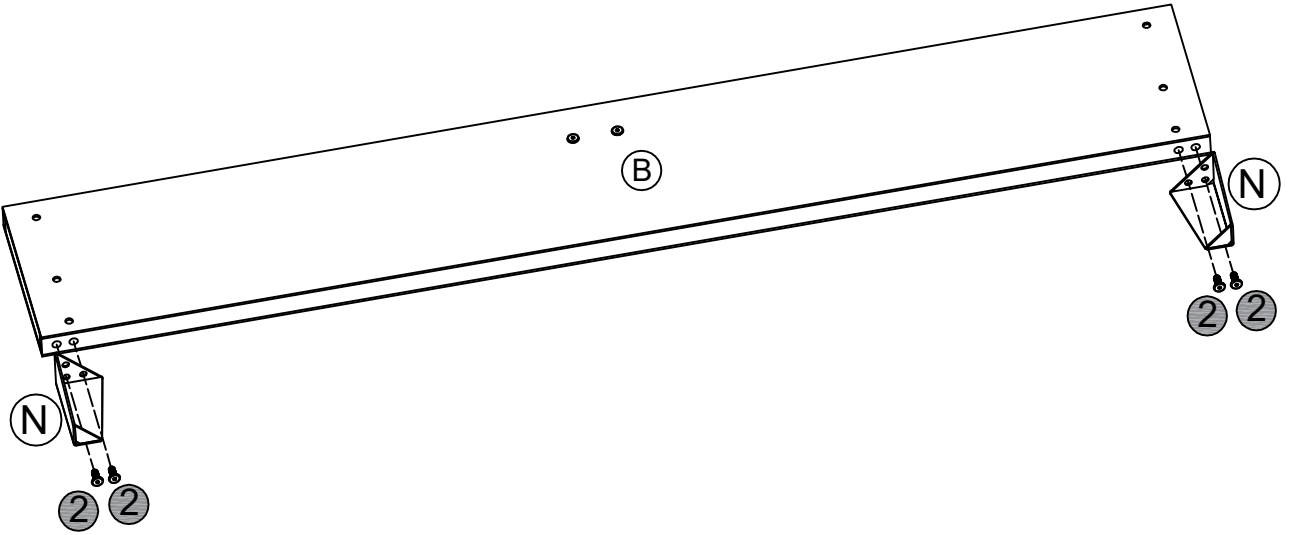
1*24

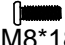


| | |
|--|--|
| <p>NOTICE</p> <p>THIS ARTICLE MEETS THE FLAMMABILITY REQUIREMENTS OF CALIFORNIA BUREAU OF ELECTRONIC AND APPLIANCE REPAIR, HOME FURNISHINGS AND THERMAL INSULATION TECHNICAL BULLETIN 117-2013. CARE SHOULD BE EXERCISED NEAR OPEN FLAME OR WITH BURNING CIGARETTES</p> | <p>UNDER PENALTY OF LAW THIS TAG NOT TO BE REMOVED EXCEPT BY THE CONSUMER</p> |
| <p>THE UPHOLSTERY MATERIALS IN THIS PRODUCT:</p> <p><input type="checkbox"/> CONTAIN ADDED FLAME RETARDANT CHEMICALS</p> <p><input checked="" type="checkbox"/> CONTAIN NO ADDED FLAME RETARDANT CHEMICALS</p> <p>THE STATE OF CALIFORNIA HAS UPDATED THE FLAMMABILITY STANDARD AND DETERMINED THAT THE FIRE SAFETY REQUIREMENTS FOR THIS PRODUCT CAN BE MET WITHOUT ADDING FLAME RETARDANT CHEMICALS. THE STATE HAS IDENTIFIED MANY FLAME RETARDANT CHEMICALS AS BEING KNOWN TO, OR STRONGLY SUSPECTED OF, ADVERSELY IMPACTING HUMAN HEALTH OR DEVELOPMENT.</p> | <p>ALL NEW MATERIAL CONSISTING OF</p> <p>POLYURETHANE FOAM PAD 90%</p> <p>POLYESTER FIBER..... 10%</p> <p>REG.NO. UT 6172(CN)</p> <p>CERTIFICATION IS MADE BY THE MANUFACTURER THAT THE MATERIAL IN THIS ARTICLE ARE DESCRIBED IN ACCORDANCE WITH LAW</p> <p>California 93120 Phase 2 and TSCA Title VI Compliant for Formaldehyde MADE IN CHINA</p> <p> WARNING: This product can expose you to chemicals including wood dust, which is known to the State of California to cause cancer. For more information go to WWW.P65Warnings.ca.gov/furniture.</p> |

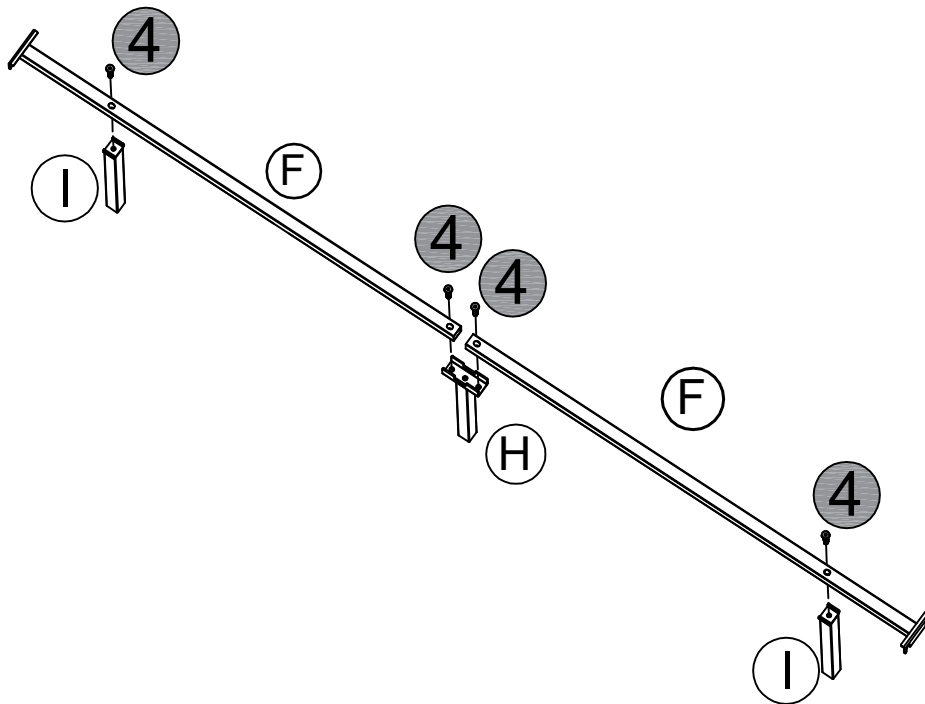
| | | |
|---|--------------|--------------|
|  | <p>M6*10</p> | <p>24pcs</p> |
|---|--------------|--------------|

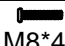
3



| | | | |
|---|---|-------|------|
| 2 |  | M8*18 | 4pcs |
|---|---|-------|------|

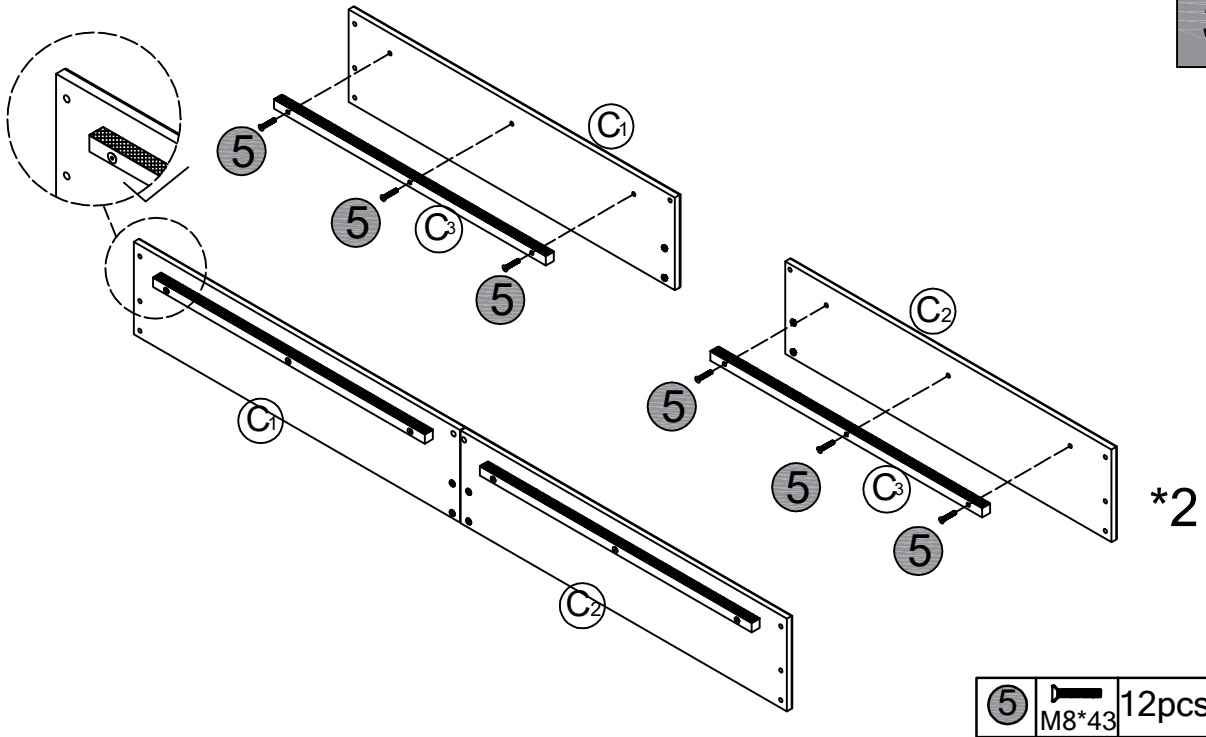
4



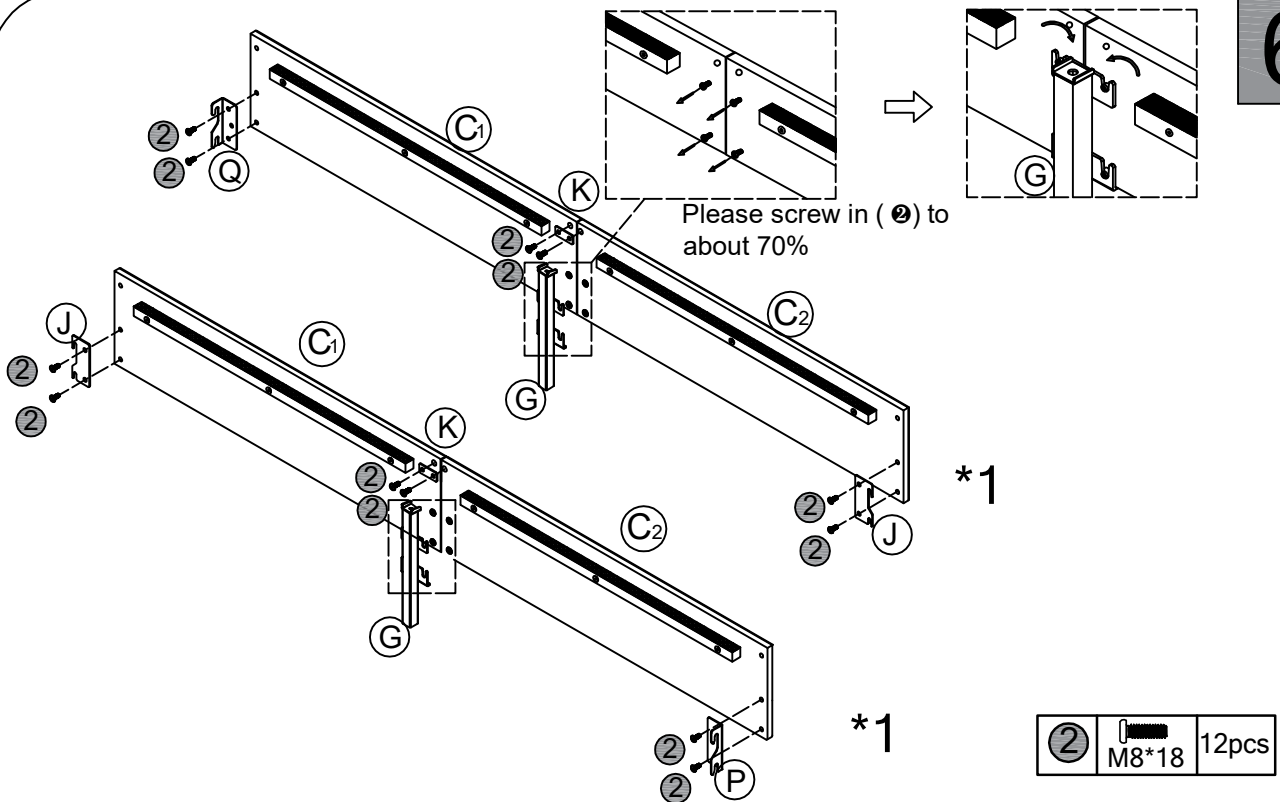
| | | | |
|---|---|-------|------|
| 4 |  | M8*40 | 4pcs |
|---|---|-------|------|

ASSEMBLY INSTRUCTIONS

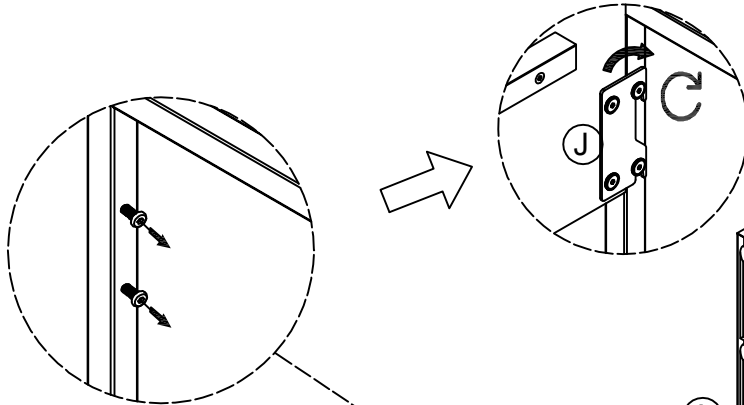
5



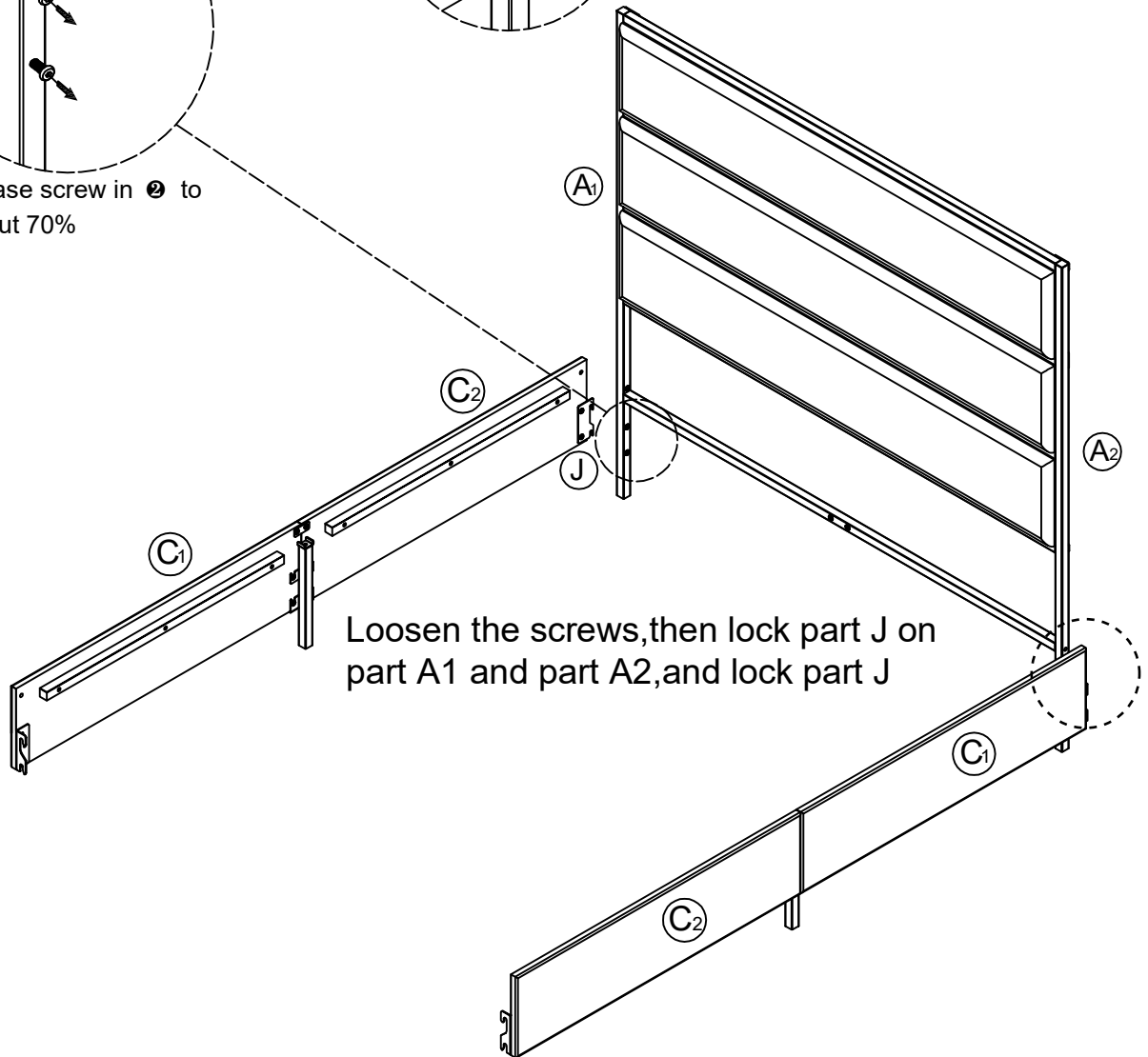
6



7

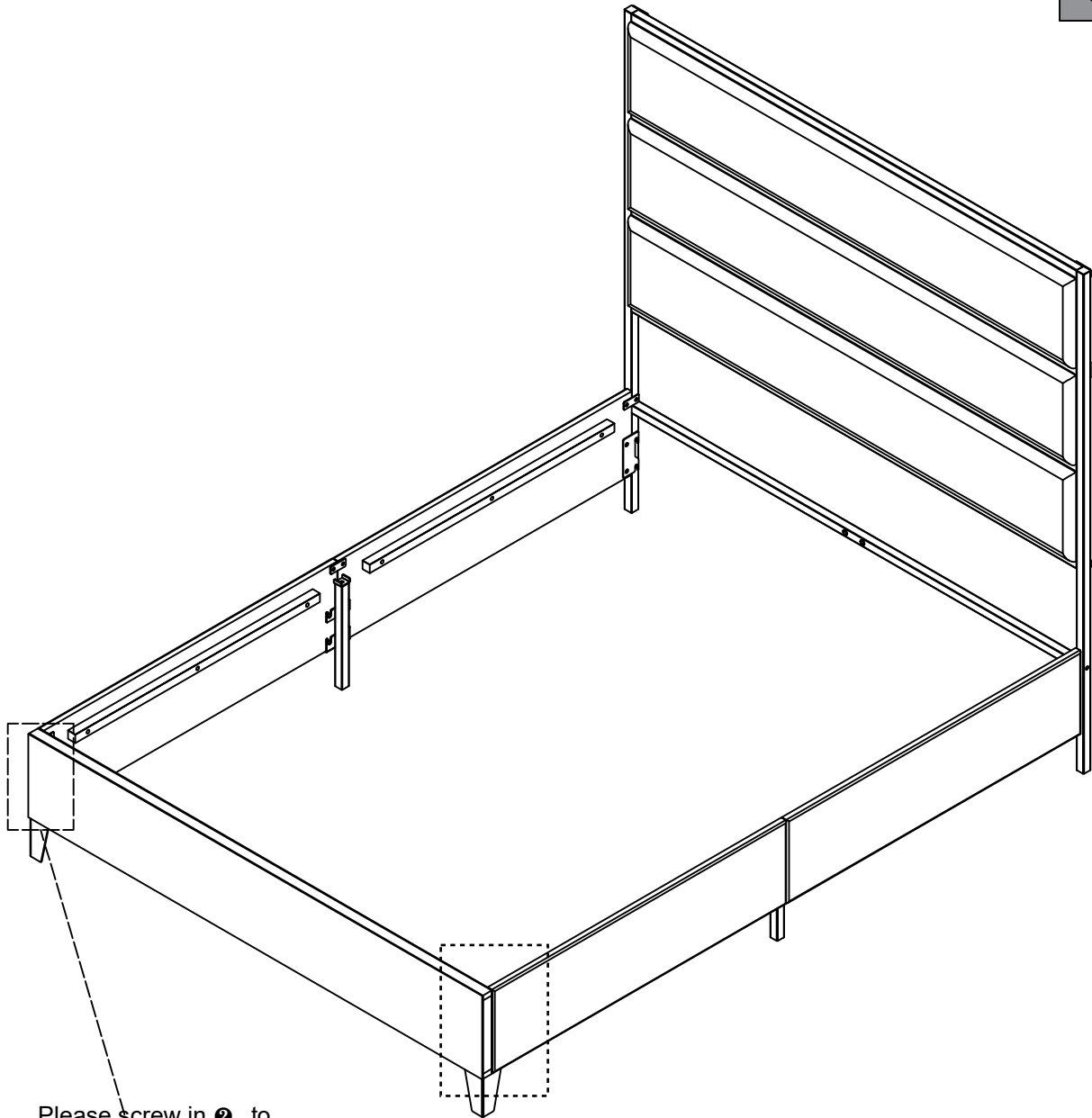


Please screw in ② to about 70%

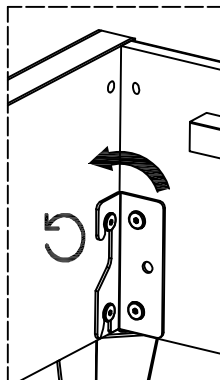
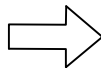
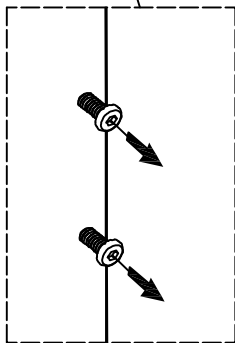


Loosen the screws, then lock part J on part A1 and part A2, and lock part J

8



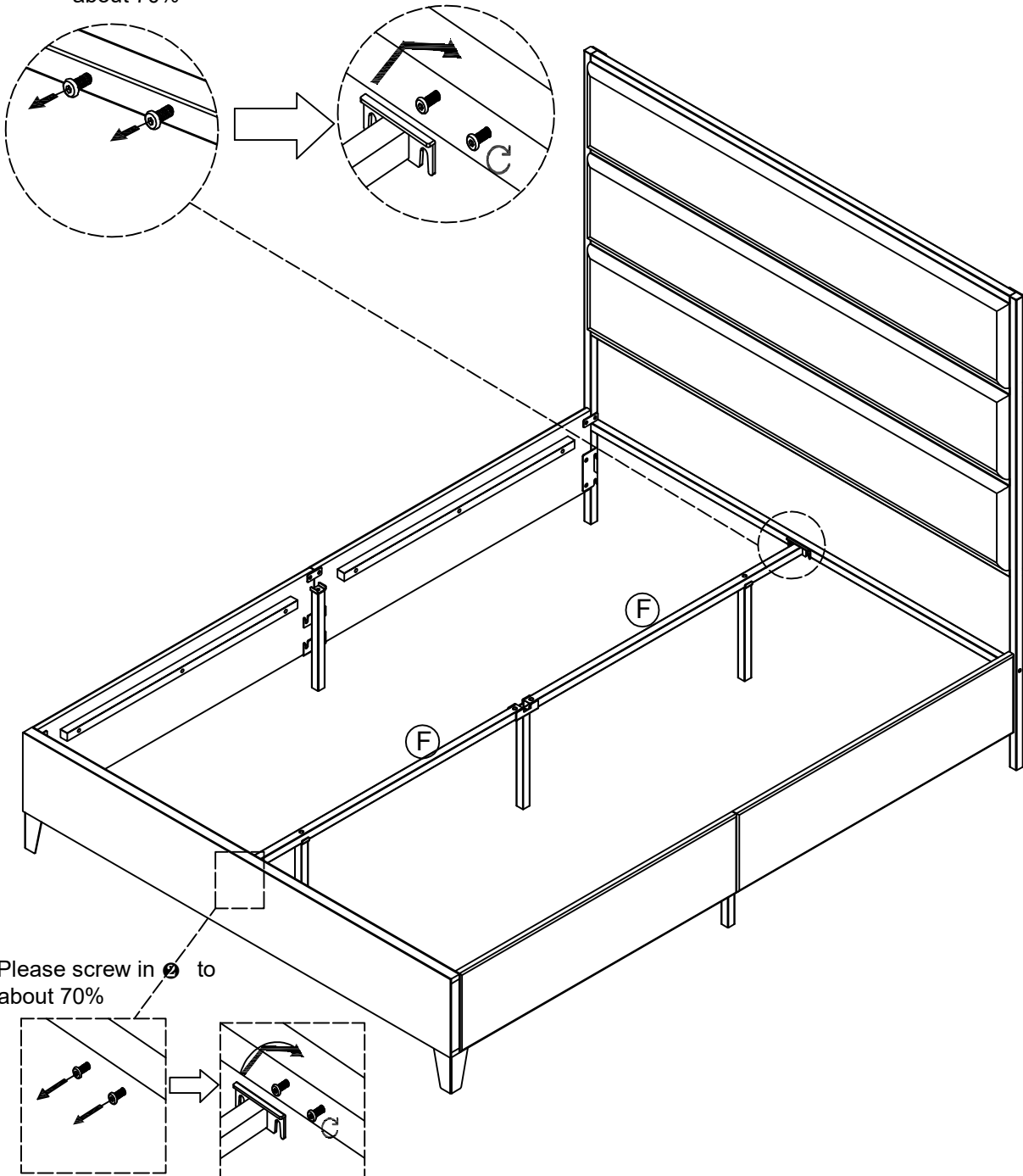
Please screw in ② to about 70%



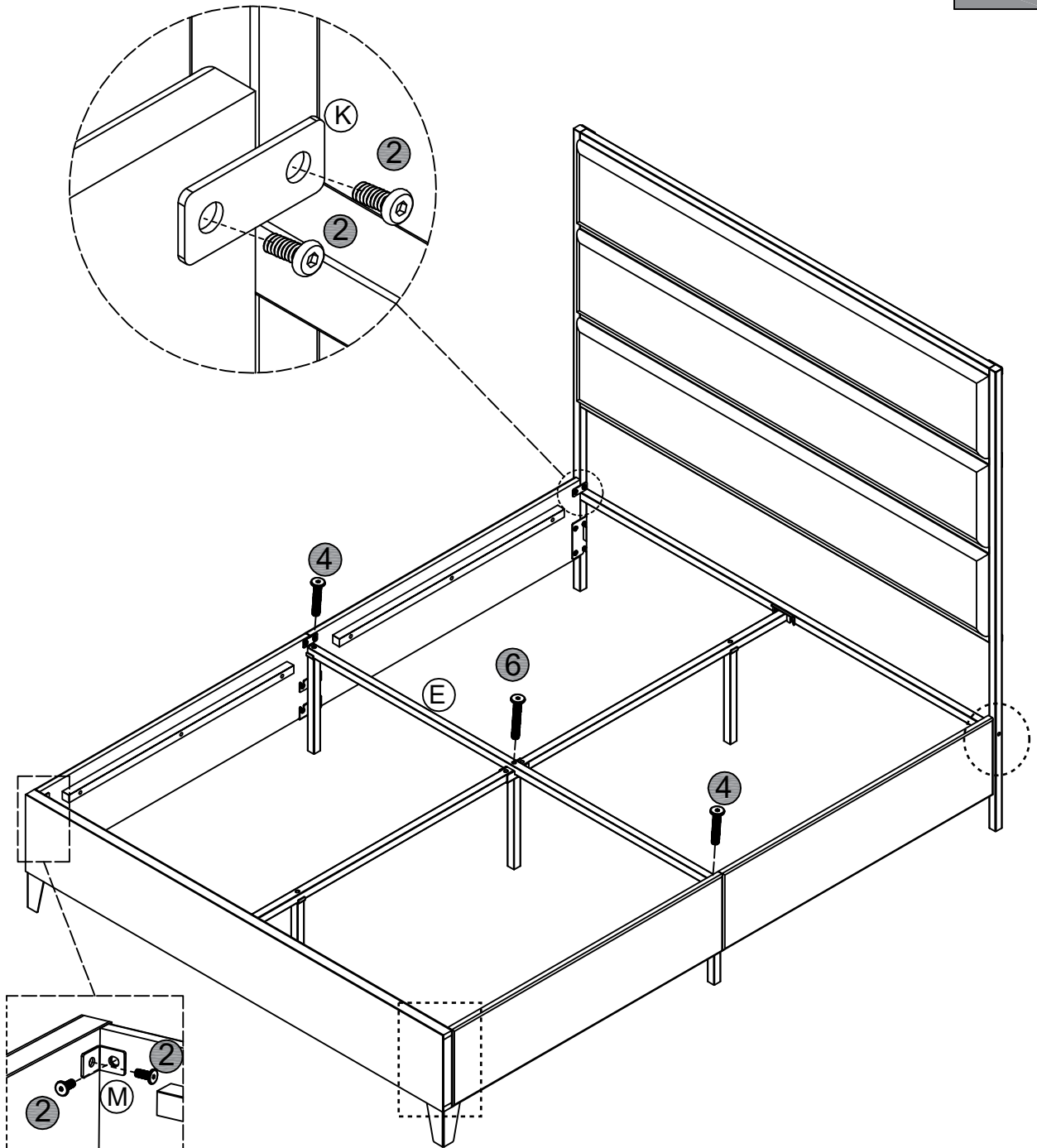
Loosen the screws, then lock part Q on part P and part B


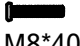
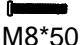
Loosen the screws, then
lock part F on part D4 and
part F on part
B, respectively

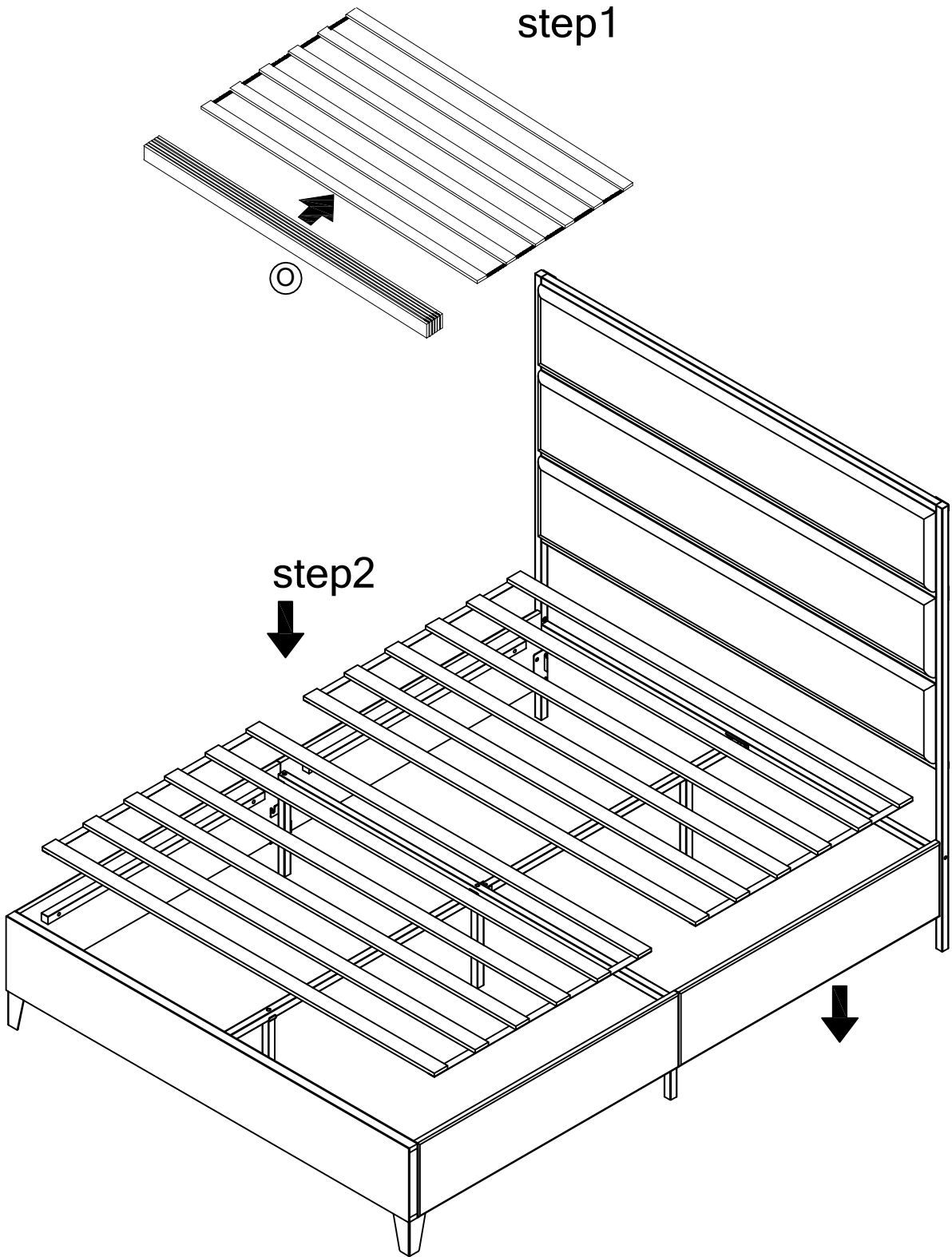
Please screw in ② to
about 70%

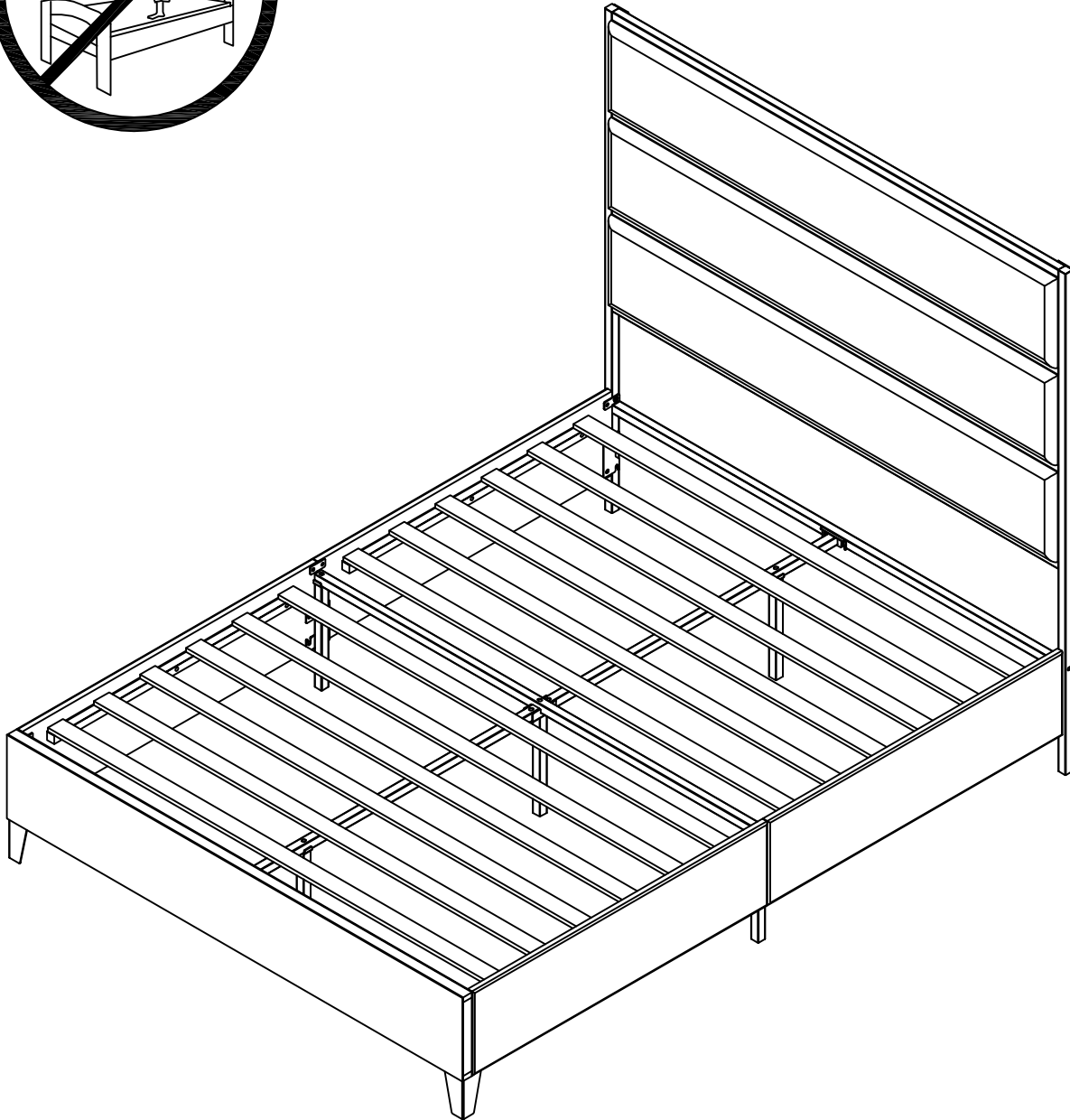


10



| | | |
|---|---|------|
| ② |  M8*18 | 8pcs |
| ④ |  M8*40 | 2pcs |
| ⑥ |  M8*50 | 1pcs |





Installation Complete