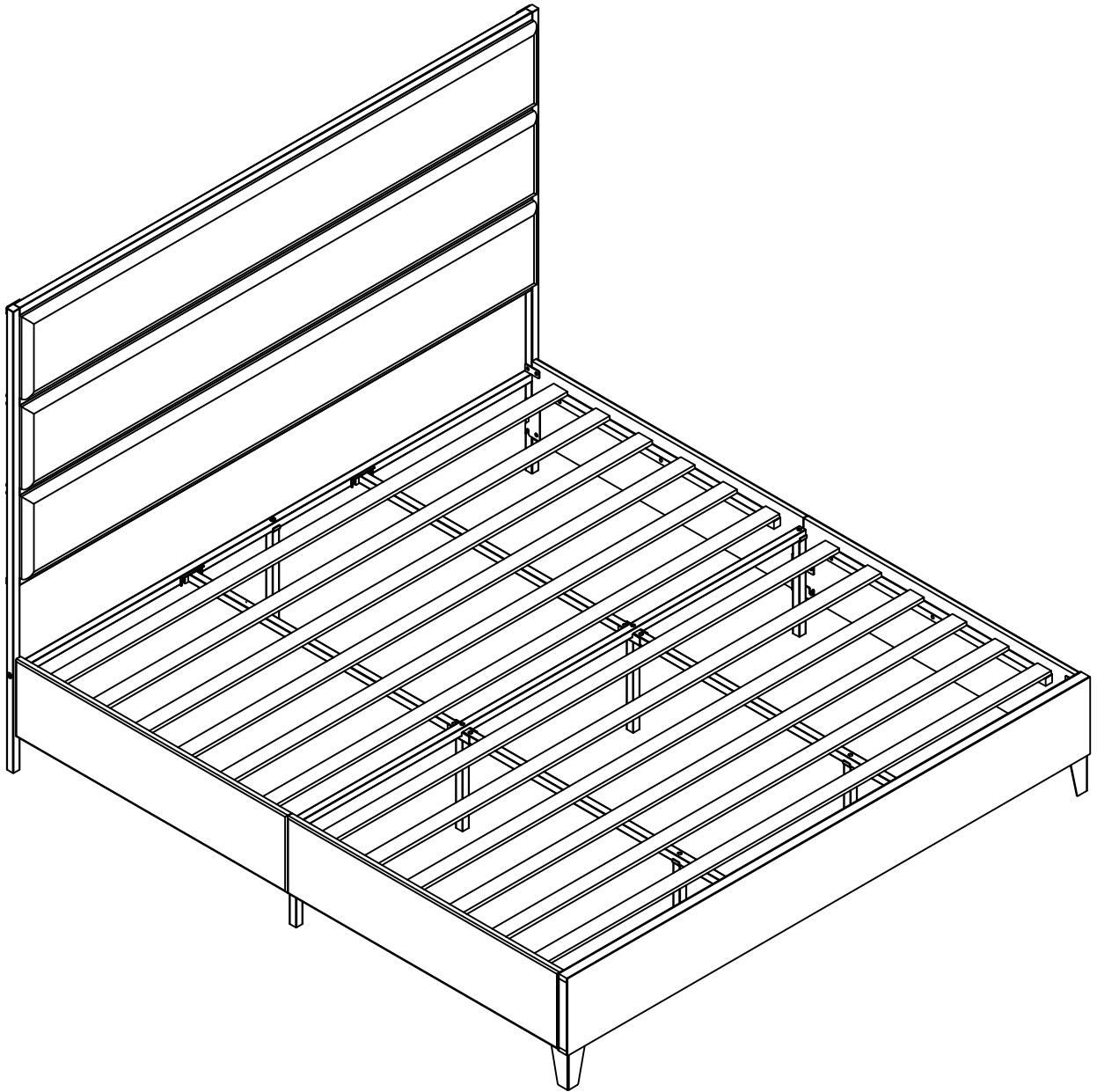


Velvet Upholstered Bed with Metal Trim



Friendly Customer Service

Satisfaction Guarantees: Any problems with assembly, quality, or return, please free to contact us directly,

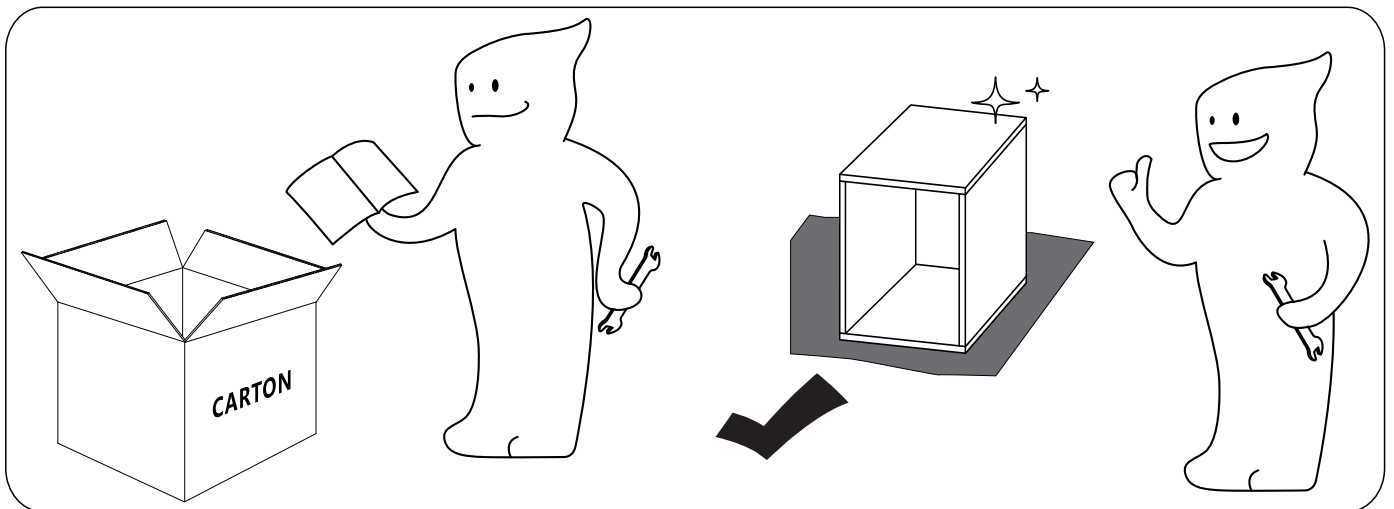
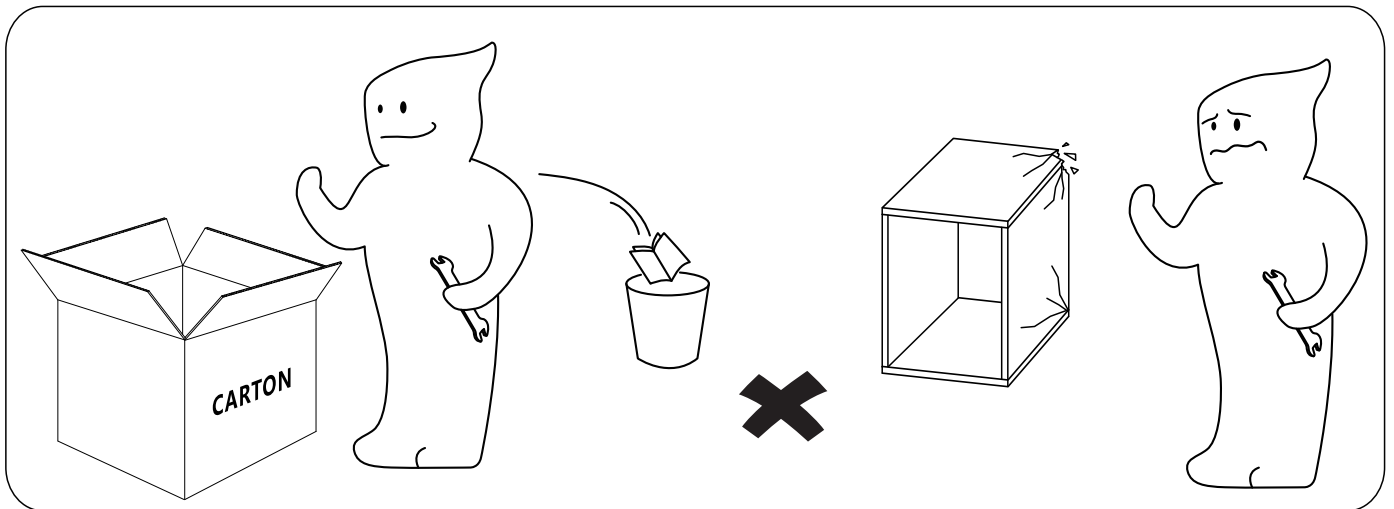
Contact us

Phone: +1(901)347-2181 (US) Mon-Fri 9am-5pm (PST)

E-Mail: cs@howedirect.com (Get efficient feedback within 12 hours)

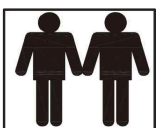
! IMPORTANT

Please follow the instruction manuals and use a pad to protect the product during your assembly.



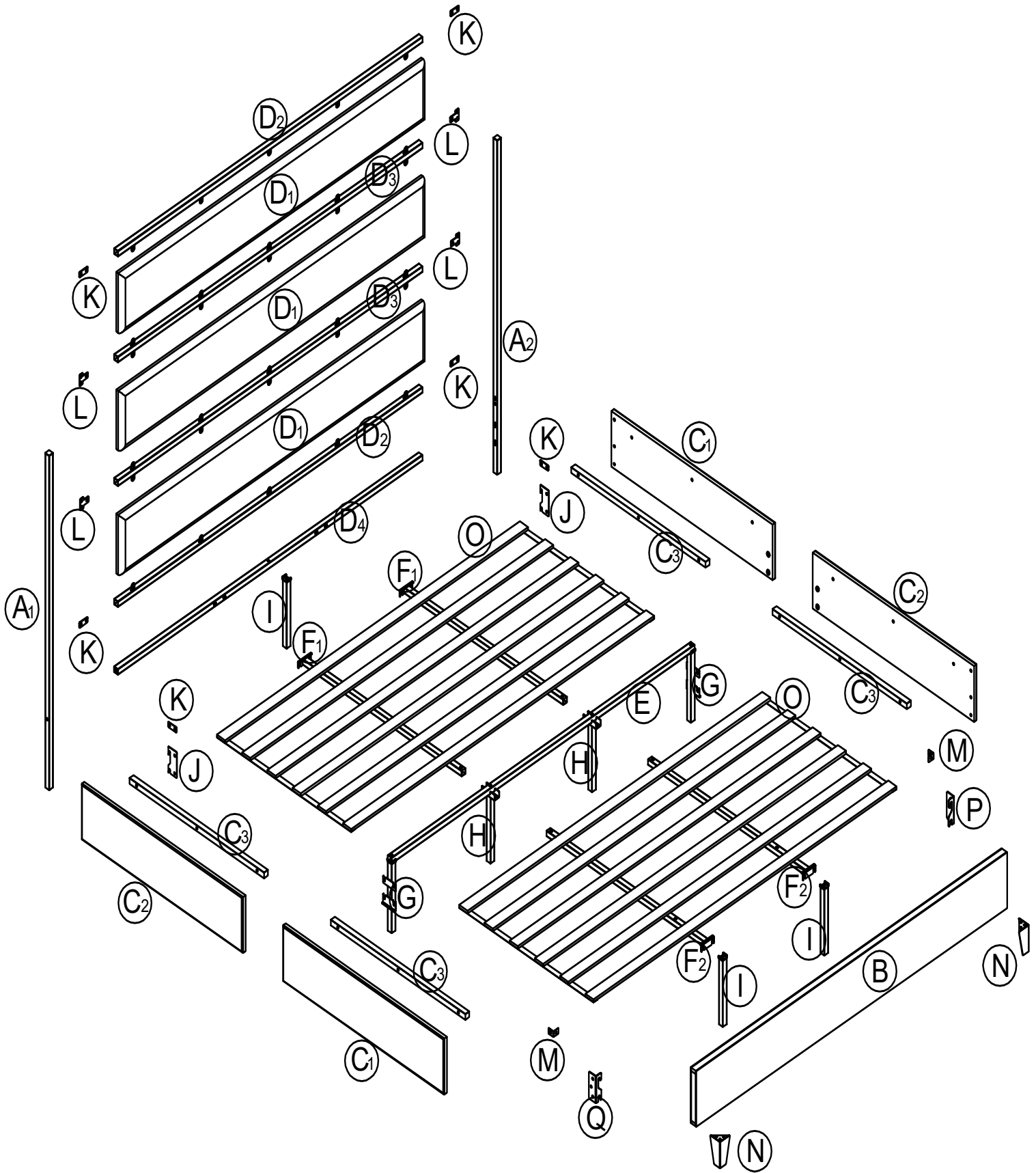
Note:

1. Should be assembled on flat ground to keep balance.
2. Before completing the installation, do not tighten the screws.



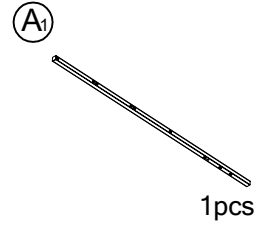
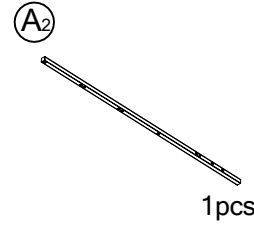
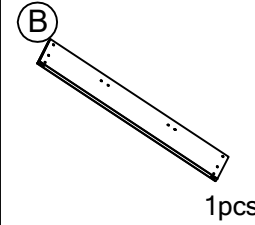
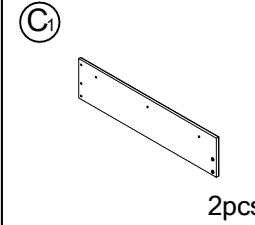
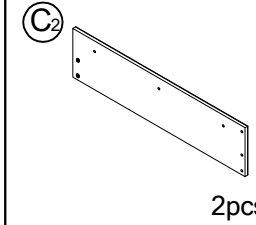
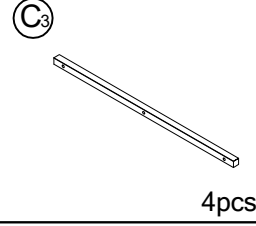
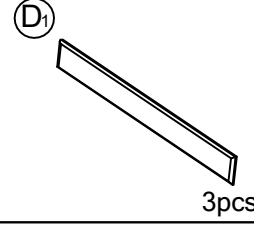
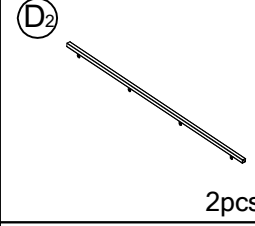
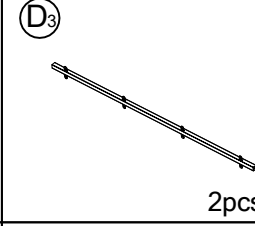
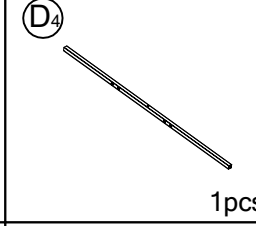
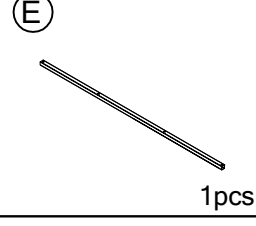
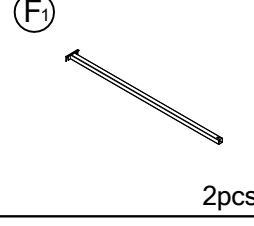
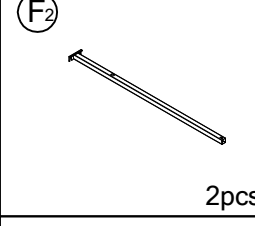
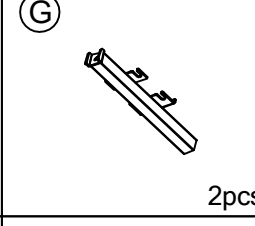
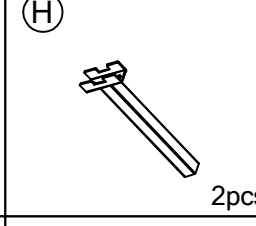
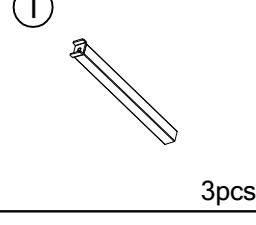
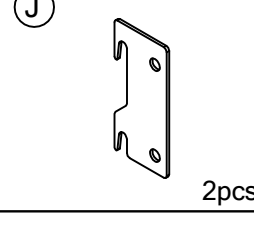
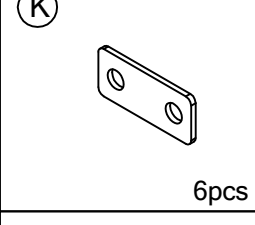
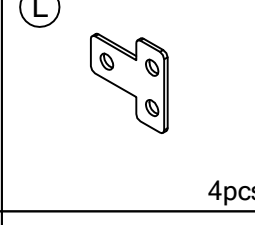
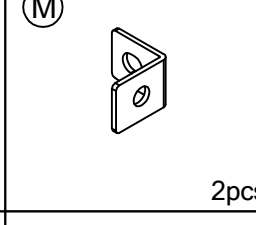
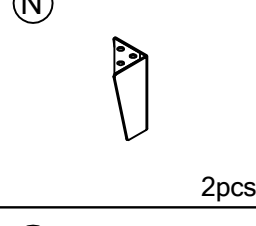
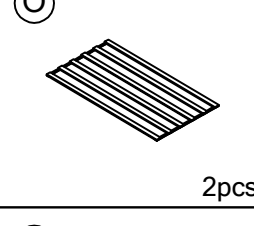
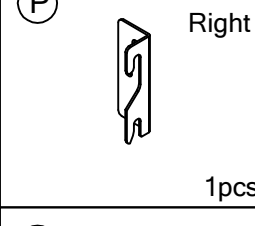
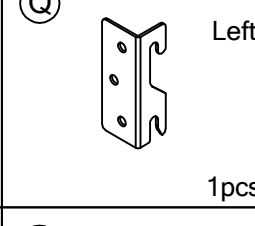
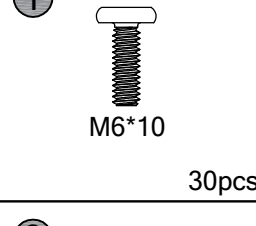
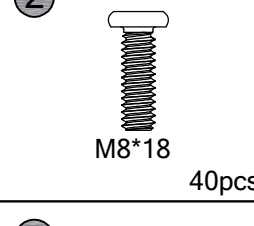
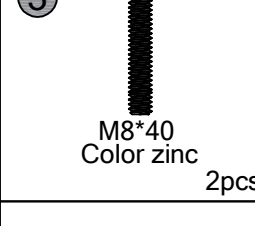
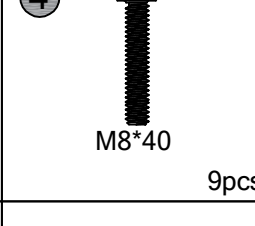
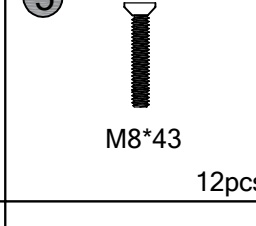
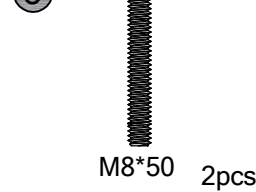
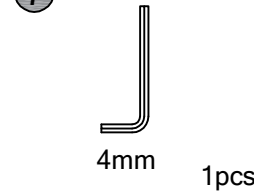
For easier and better assembly, **2** or more adults are required.

ASSEMBLY INSTRUCTIONS

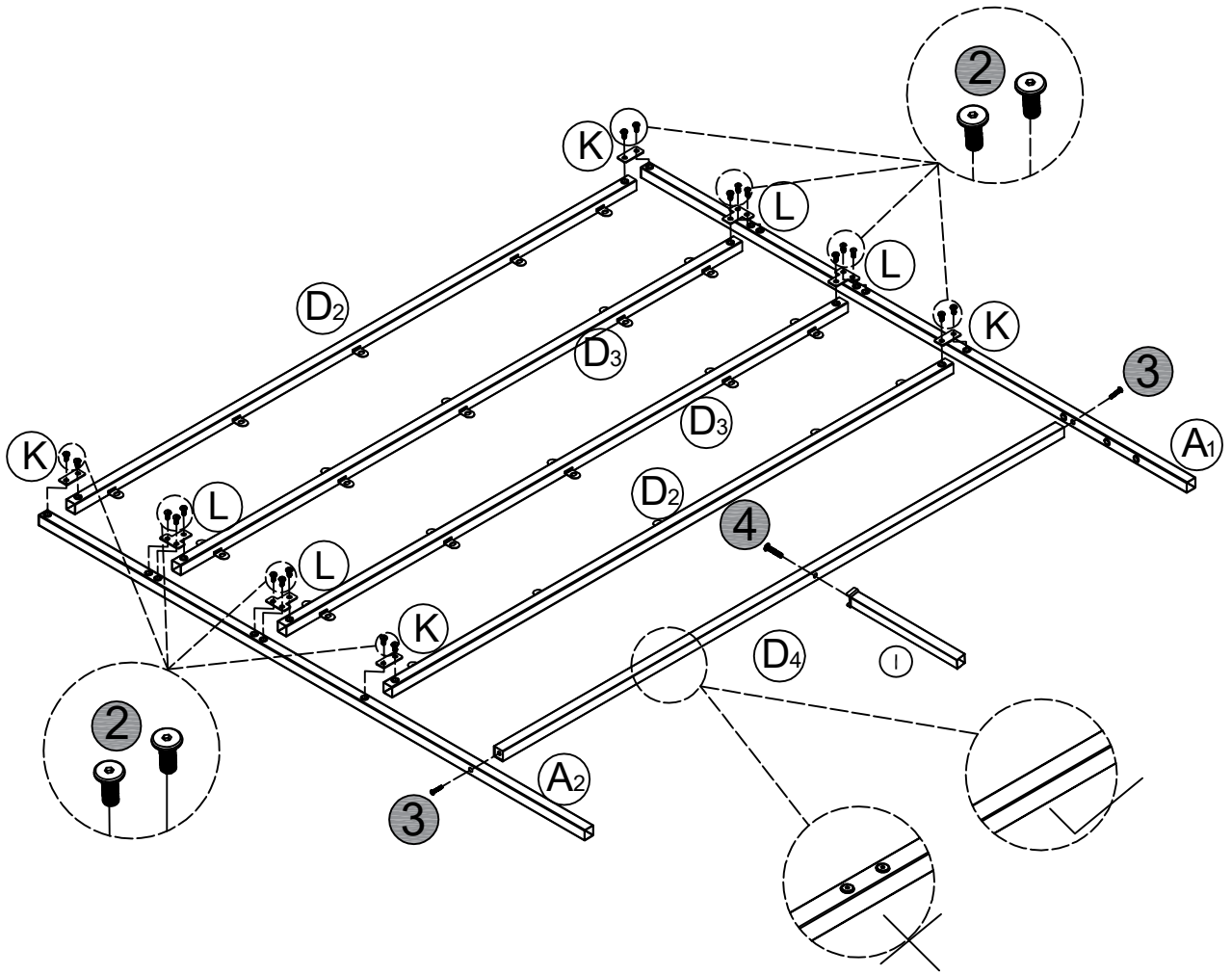


ASSEMBLY INSTRUCTIONS

PARTS LIST

 A1 1pcs	 A2 1pcs	 B 1pcs	 C1 2pcs	 C2 2pcs
 C3 4pcs	 D1 3pcs	 D2 2pcs	 D3 2pcs	 D4 1pcs
 E 1pcs	 F1 2pcs	 F2 2pcs	 G 2pcs	 H 2pcs
 I 3pcs	 J 2pcs	 K 6pcs	 L 4pcs	 M 2pcs
 N 2pcs	 O 2pcs	 P Right 1pcs	 Q Left 1pcs	
 1 M6*10 30pcs	 2 M8*18 40pcs	 3 M8*40 Color zinc 2pcs	 4 M8*40 9pcs	 5 M8*43 12pcs
 6 M8*50 2pcs	 7 4mm 1pcs			

1

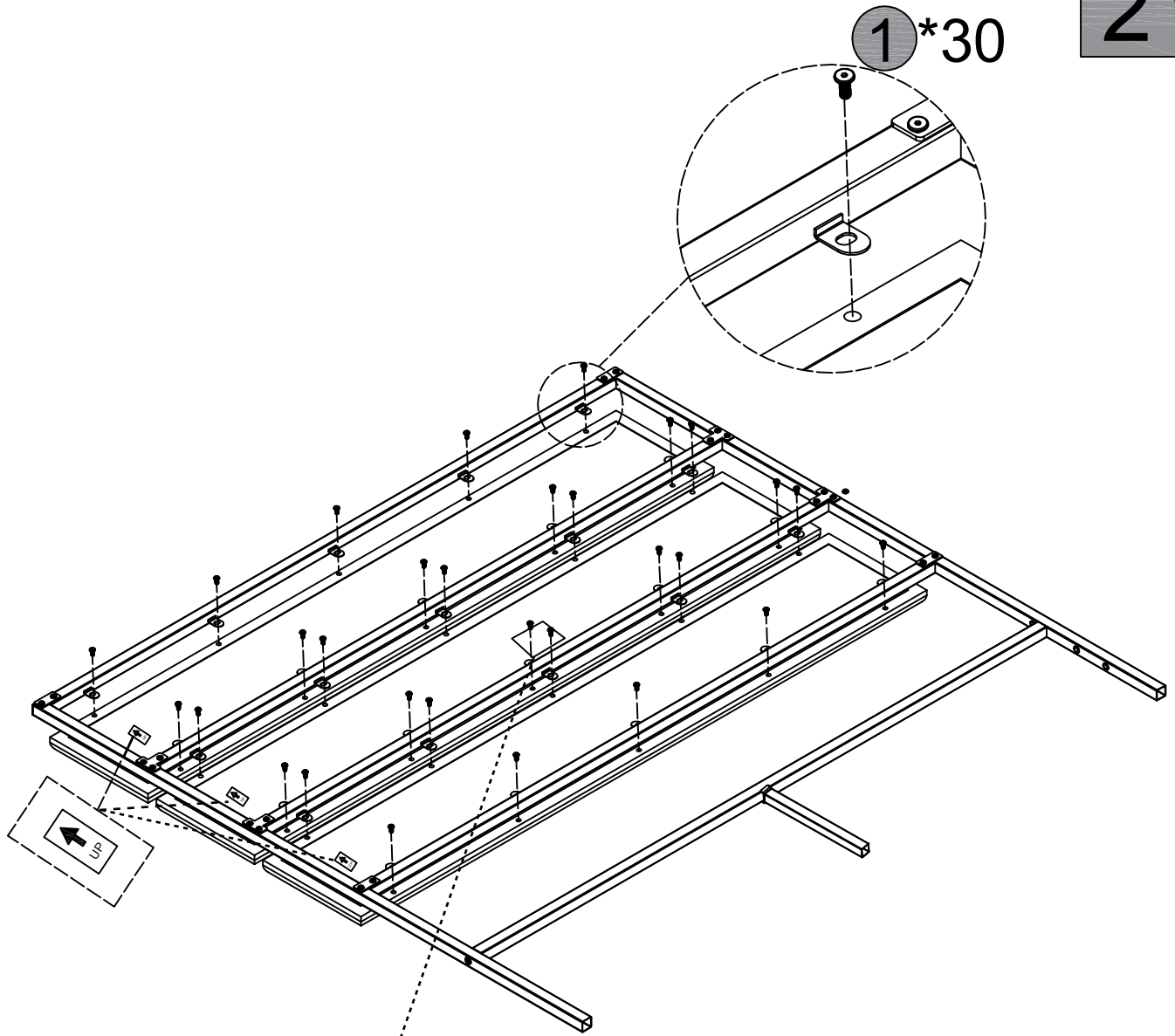



②	 M8*18	20pcs
③	 M8*40	2pcs
④	 M8*40	1pcs

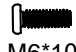
Color zinc

ASSEMBLY INSTRUCTIONS

2

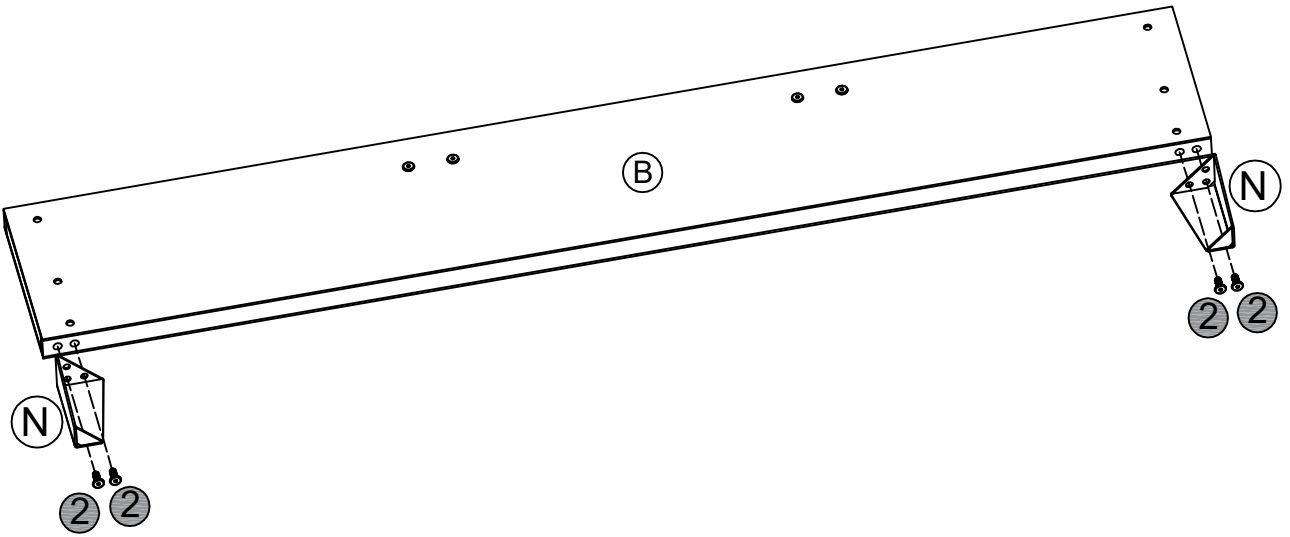



NOTICE	UNDER PENALTY OF LAW THIS TAG NOT TO BE REMOVED EXCEPT BY THE CONSUMER
THIS ARTICLE MEETS THE FLAMMABILITY REQUIREMENTS OF CALIFORNIA BUREAU OF ELECTRONIC AND APPLIANCE REPAIR, HOME FURNISHINGS AND THERMAL INSULATION TECHNICAL BULLETIN 117-2013. CARE SHOULD BE EXERCISED NEAR OPEN FLAME OR WITH BURNING CIGARETTES	ALL NEW MATERIAL CONSISTING OF
	POLYURETHANE FOAM PAD 90% POLYESTER FIBER..... 10%
	REG.NO. UT 6172(CN)
THE UPHOLSTERY MATERIALS IN THIS PRODUCT: <input type="checkbox"/> CONTAIN ADDED FLAME RETARDANT CHEMICALS <input checked="" type="checkbox"/> CONTAIN NO ADDED FLAME RETARDANT CHEMICALS	CERTIFICATION IS MADE BY THE MANUFACTURER THAT THE MATERIAL IN THIS ARTICLE ARE DESCRIBED IN ACCORDANCE WITH LAW
THE STATE OF CALIFORNIA HAS UPDATED THE FLAMMABILITY STANDARD AND DETERMINED THAT THE FIRE SAFETY REQUIREMENTS FOR THIS PRODUCT CAN BE MET WITHOUT ADDING FLAME RETARDANT CHEMICALS. THE STATE HAS IDENTIFIED MANY FLAME RETARDANT CHEMICALS AS BEING KNOWN TO, OR STRONGLY SUSPECTED OF, ADVERSELY IMPACTING HUMAN HEALTH OR DEVELOPMENT.	California 93120 Phase 2 and TSCA Title VI Compliant for Formaldehyde MADE IN CHINA
	 WARNING: This product can expose you to chemicals including wood dust, which is known to the State of California to cause cancer. For more information go to WWW.P65Warnings.ca.gov/furniture .

1		30pcs
	M6*10	

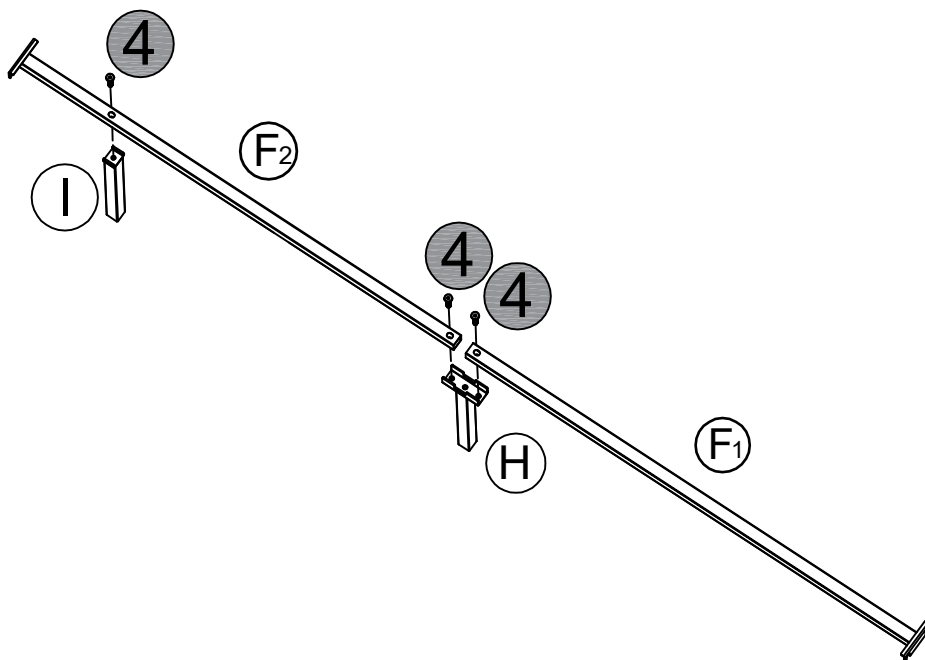
ASSEMBLY INSTRUCTIONS

3

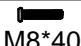


2		M8*18	4pcs
---	---	-------	------

4

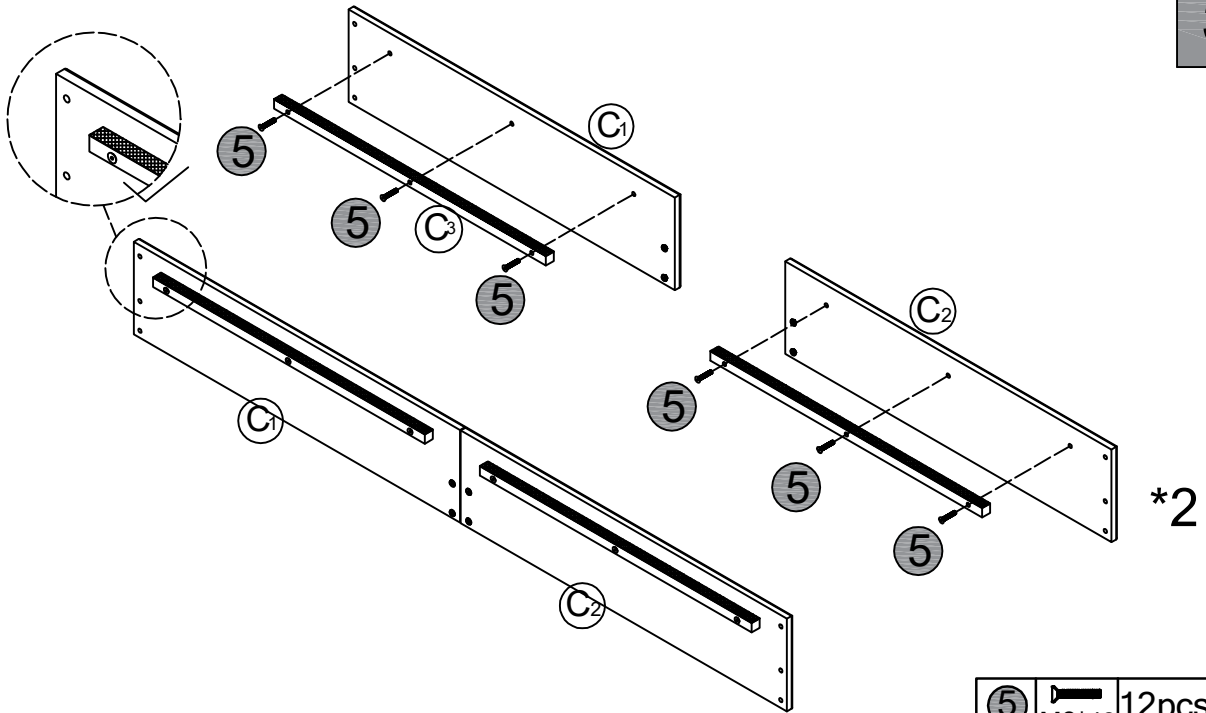


*2

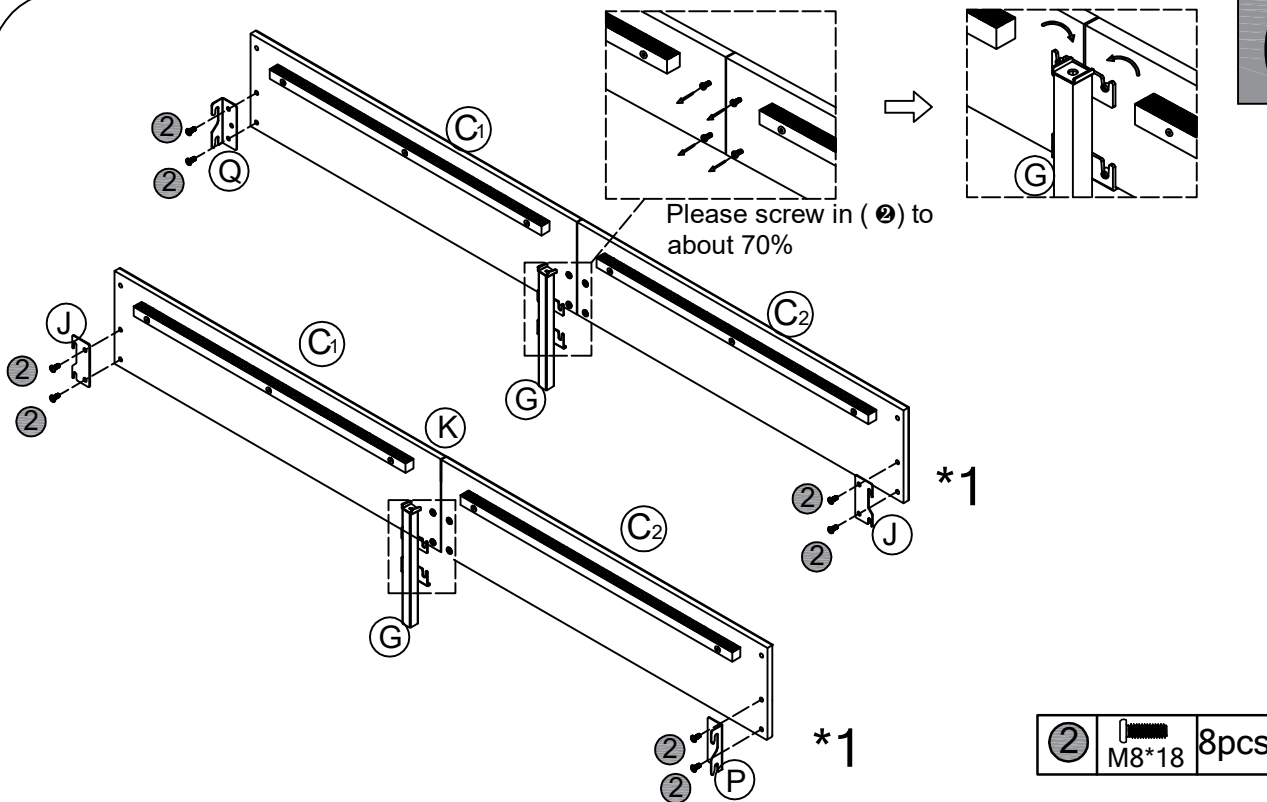
4		M8*40	6pcs
---	---	-------	------

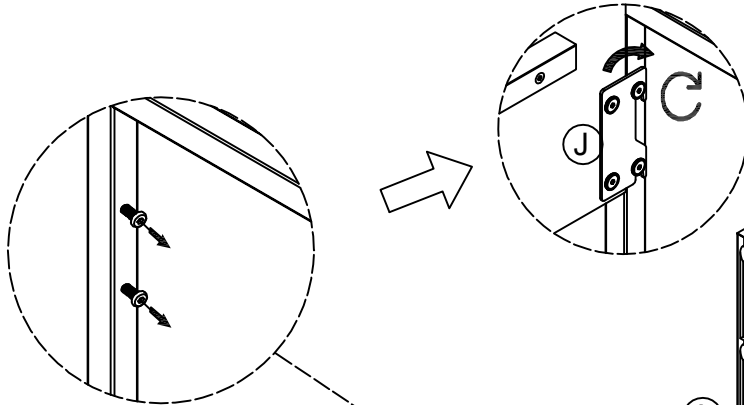
ASSEMBLY INSTRUCTIONS

5

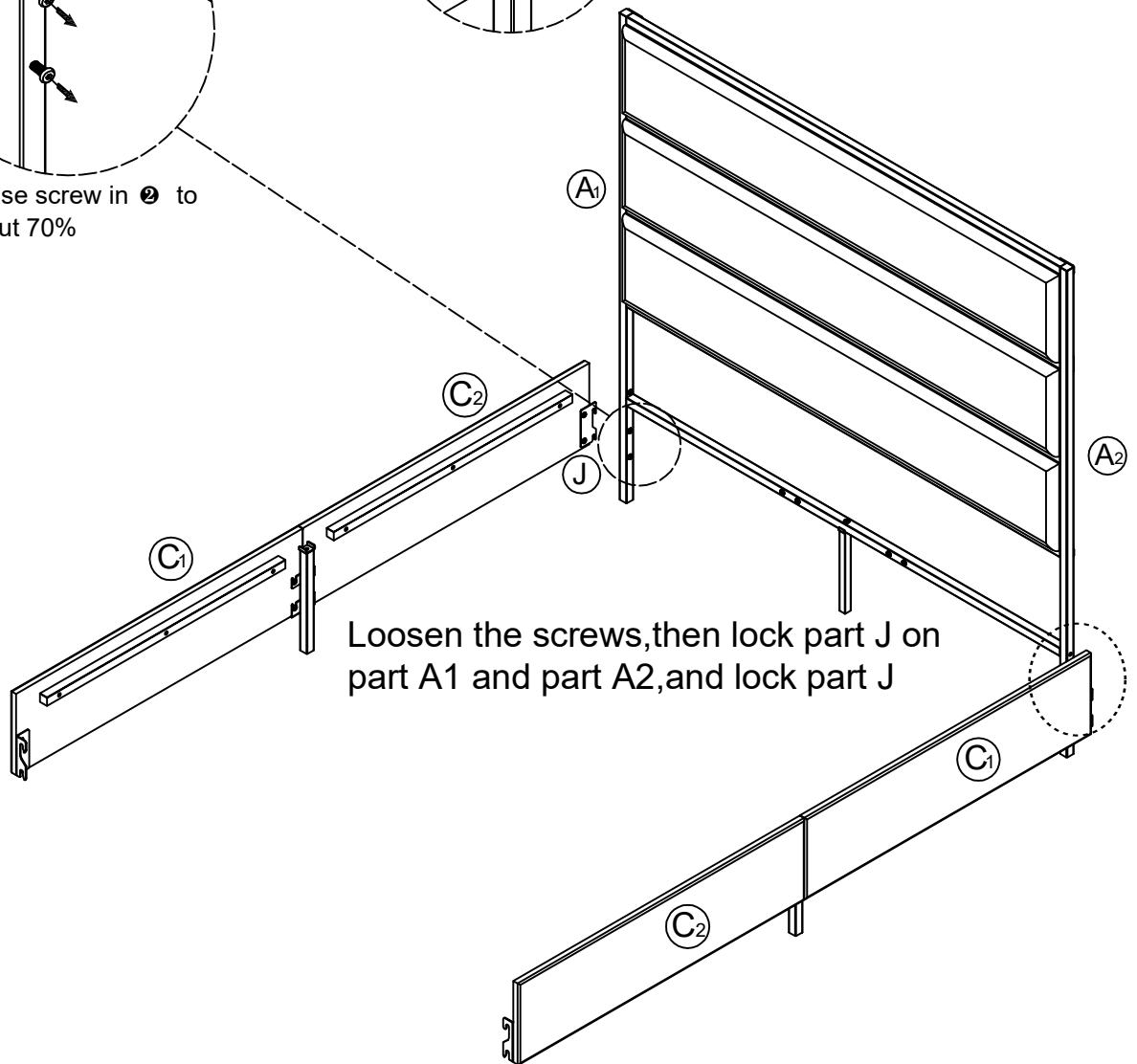


6



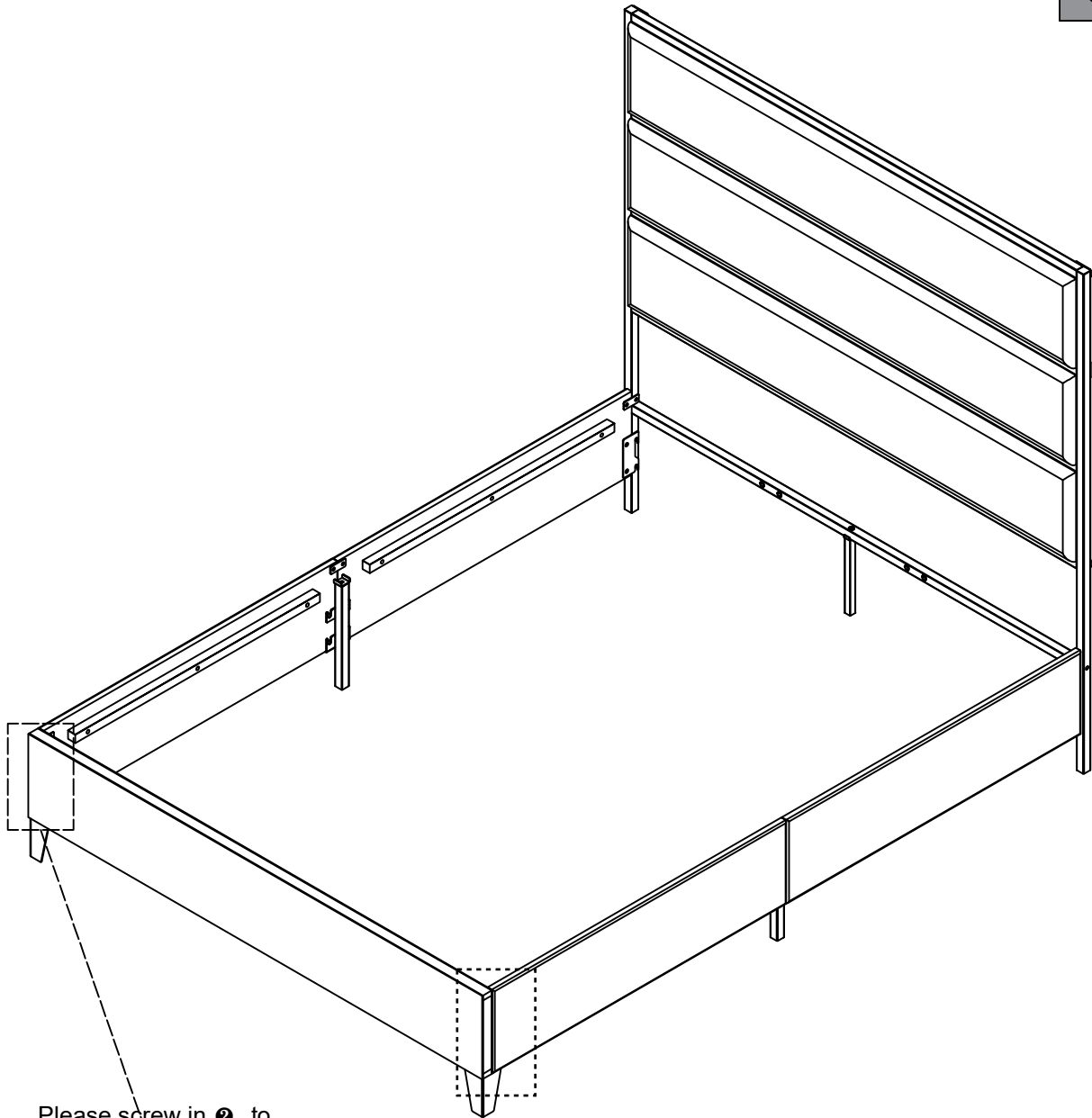


Please screw in ② to about 70%

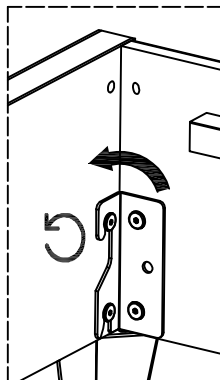
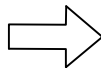
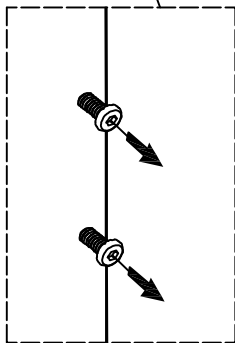


Loosen the screws, then lock part J on part A1 and part A2, and lock part J

9



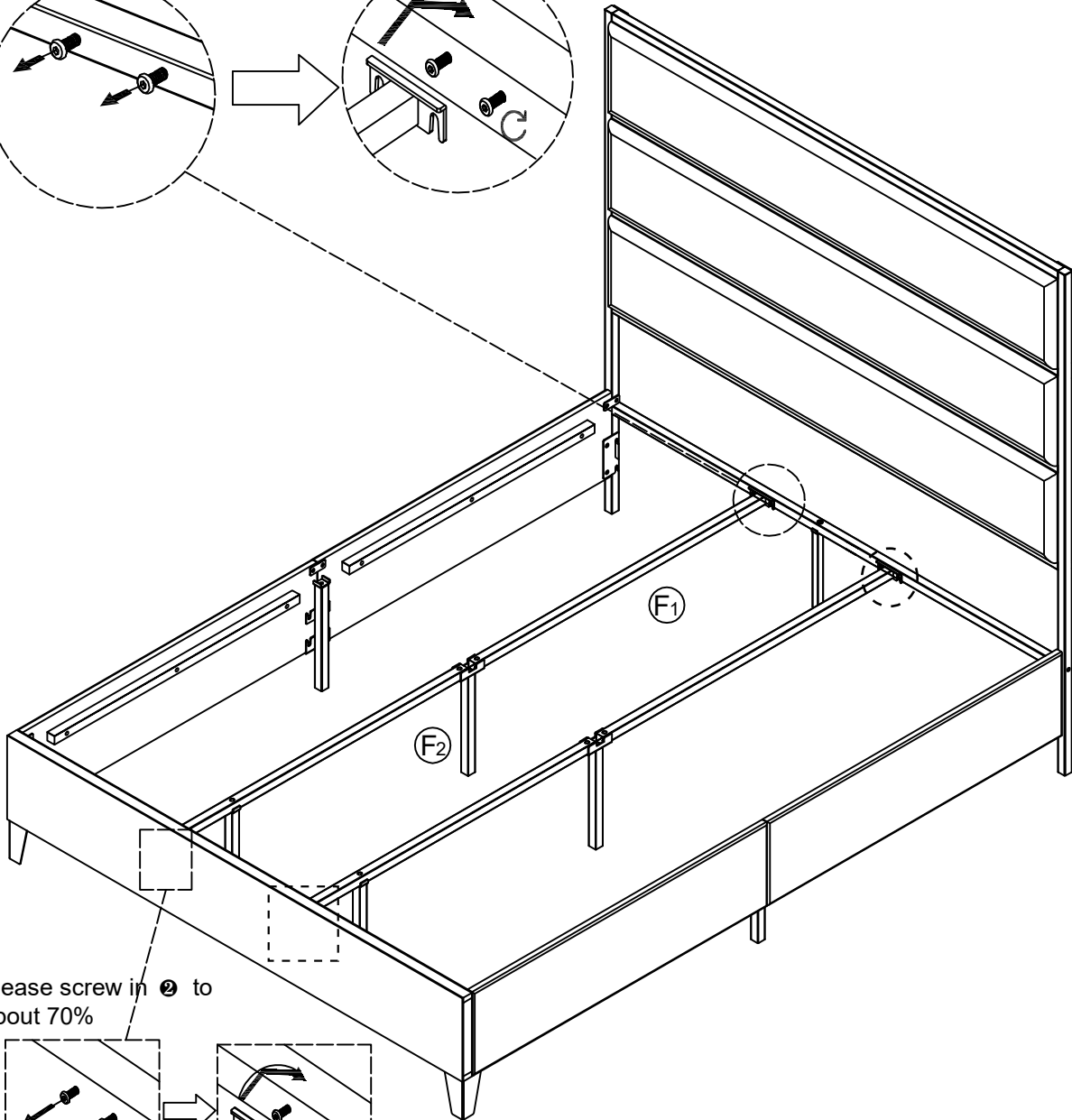
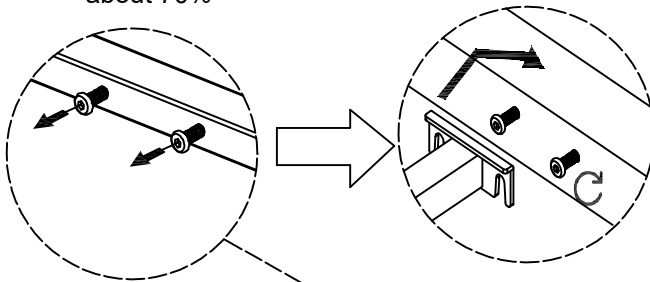
Please screw in ② to about 70%



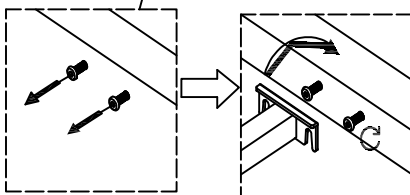
Loosen the screws, then lock part Q on part P and part B

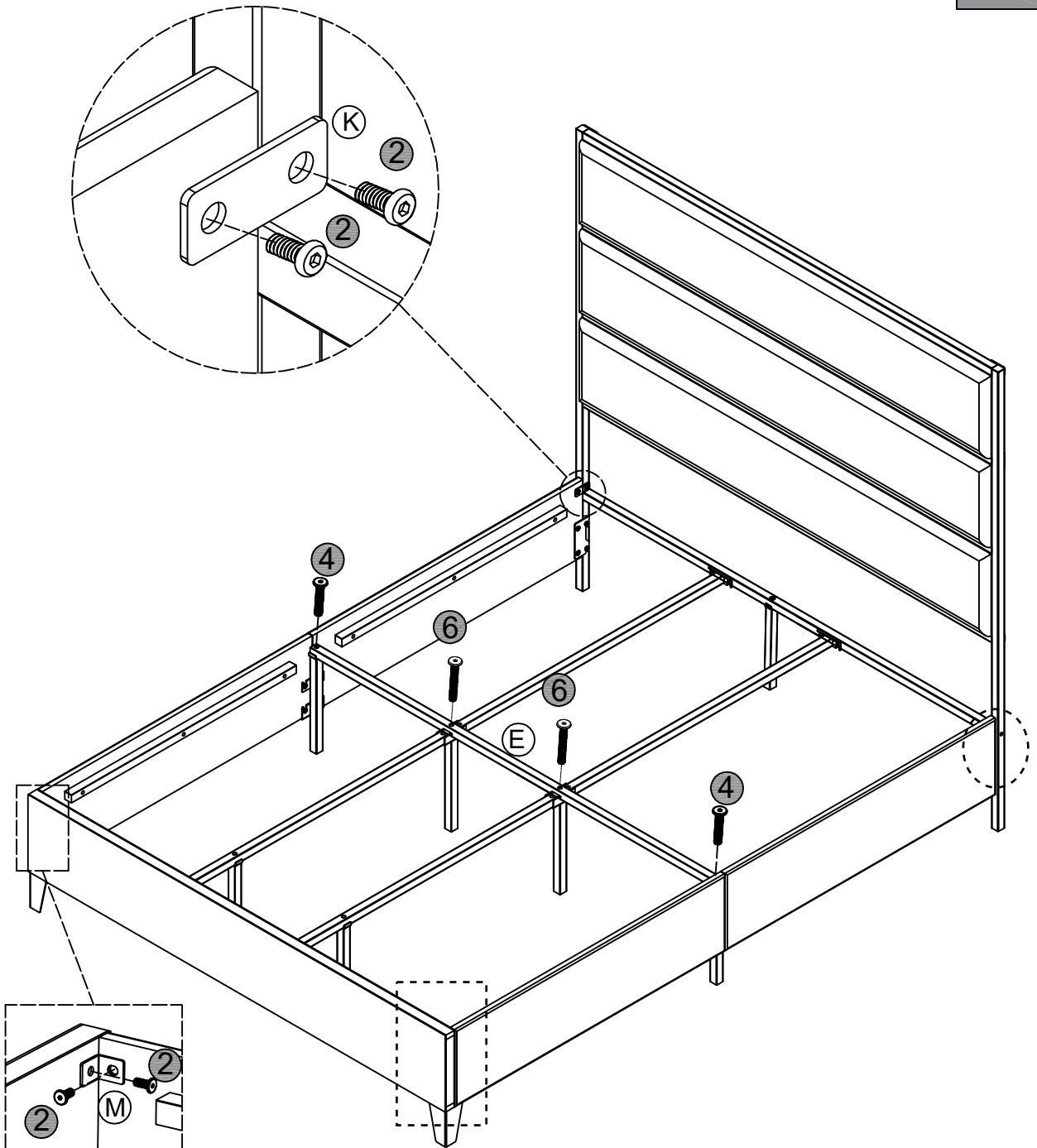
Loosen the screws, then lock part F1 on part D4 and part F2 on part B, respectively


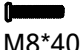
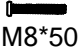
Please screw in ② to about 70%

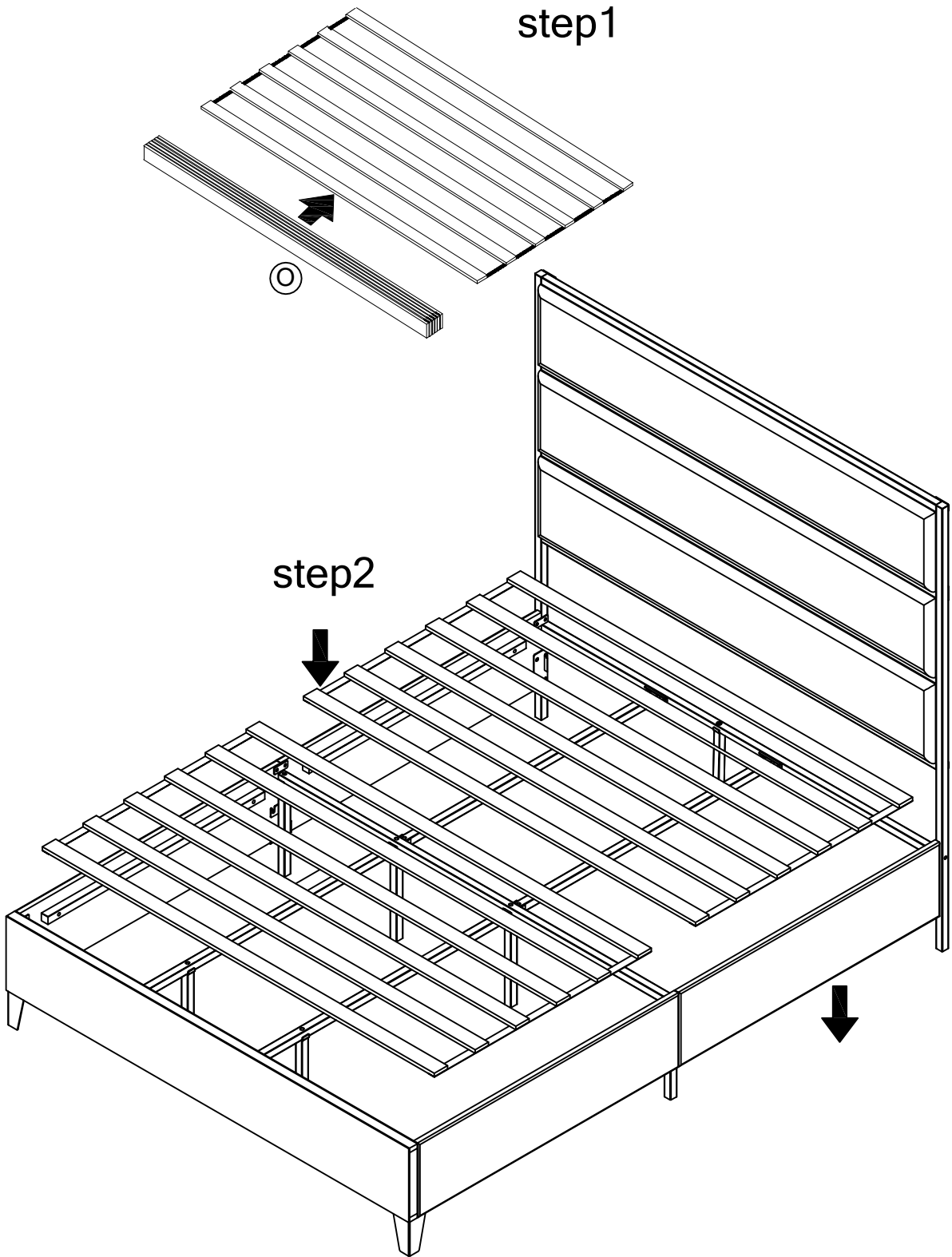


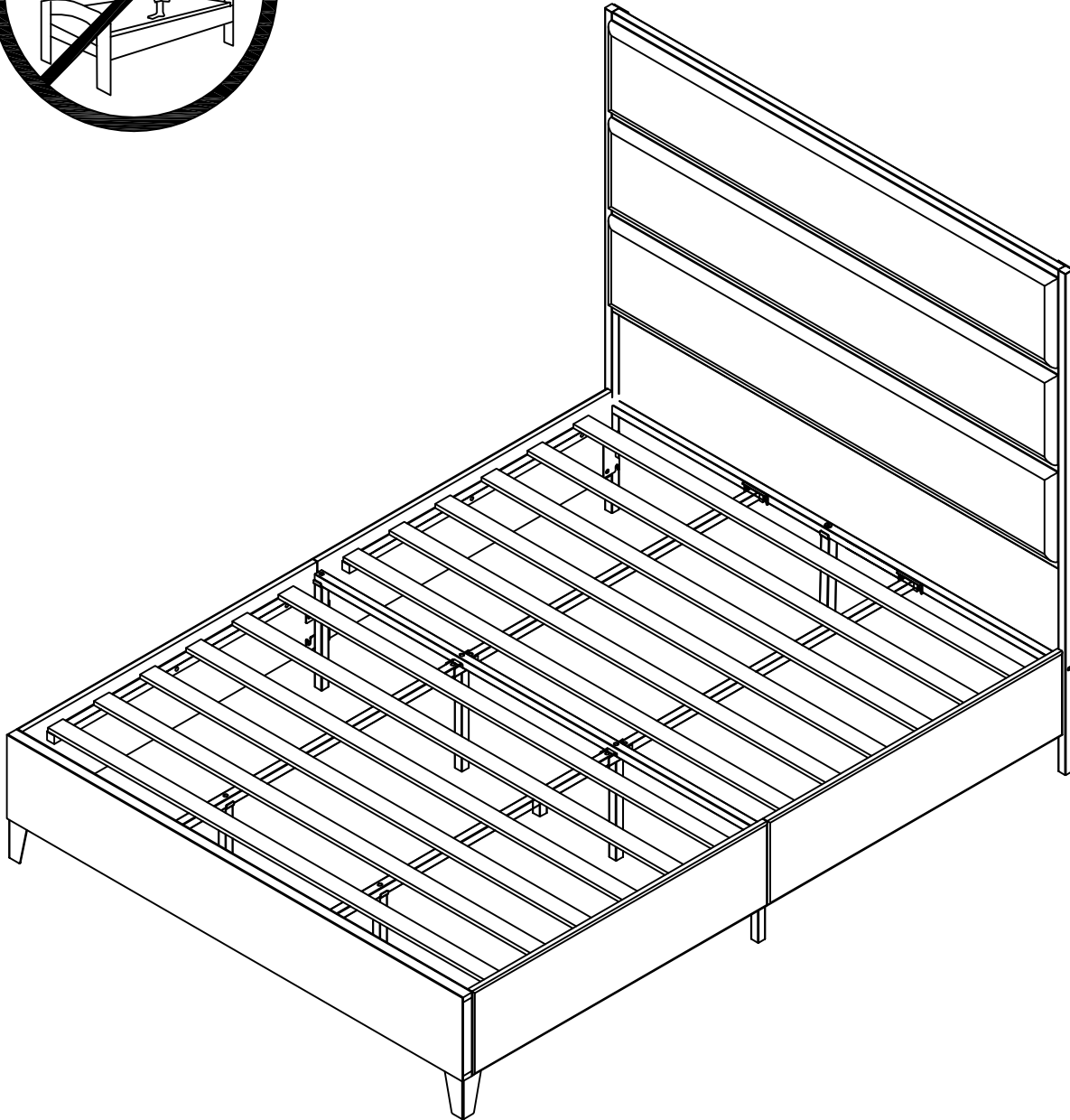
Please screw in ② to about 70%





②	 M8*18	8pcs
④	 M8*40	2pcs
⑥	 M8*50	2pcs





Installation Complete