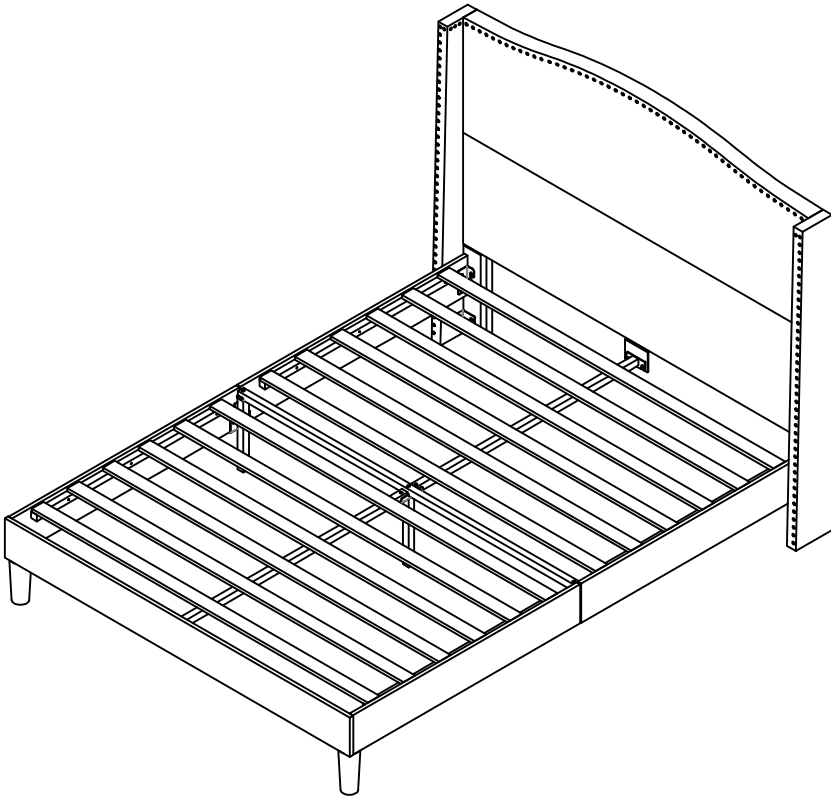


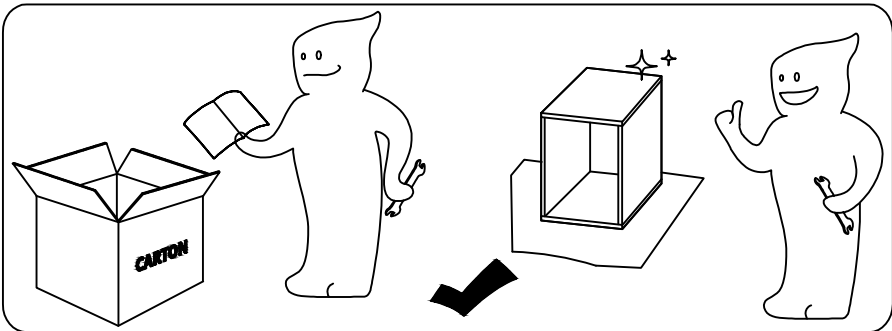
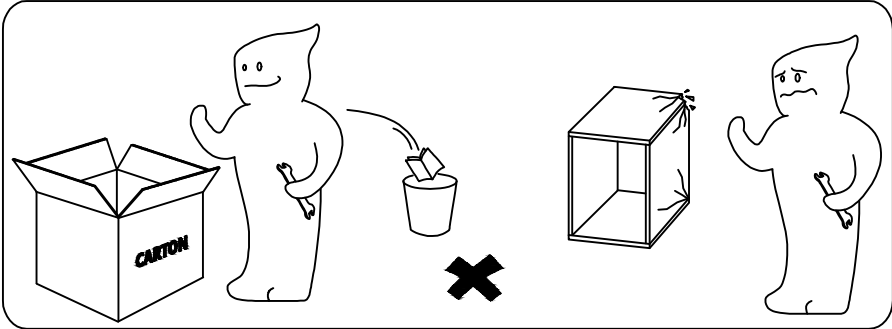
Upholstered Platform Bed



Dear Customers,
Thank you for purchasing our product. Please read this instruction manual carefully after receiving this product. It will help you assemble this product quickly, safely and correctly. You can keep this manual for future reference.

! IMPORTANT

Please follow the instruction manuals and use a pad to protect the product during your assembly.



Note:

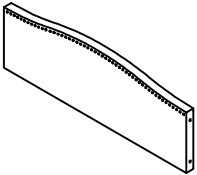
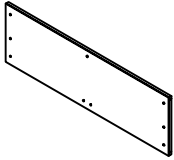
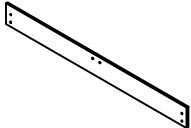
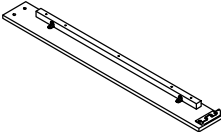
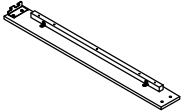
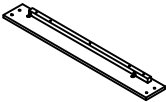
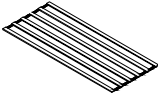
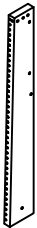


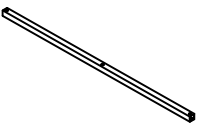
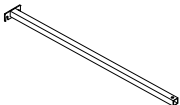

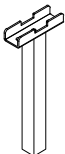


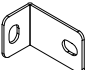
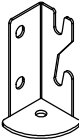
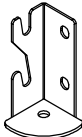
- 1.Should be assembled on flat ground to keep balance.
- 2.Before completing the installation,do not tighten the screws.



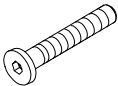
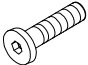




For easier and better assembly, 2 or more adults are required.

ASSEMBLY INSTRUCTIONS

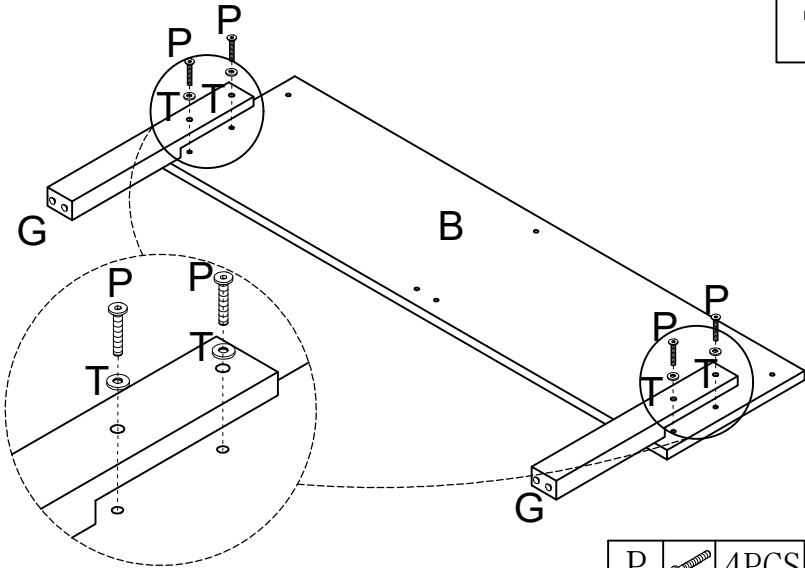
Part list

A 1PC  Top headboard	B 1PC  Bottom headboard	C 1PC  Footboard	D1 1PC  Left side rail	
D2 1PC  Right side rail	D3 2PCS  Side rail	E 2PCS  Slat	F1 1PC  Left wing	F2 1PC  Right wing
G 2PCS  Headboard foot	H 1PC  Cross bar	I 2PCS  Middle support bar	J 2PCS  Foot	K 1PC  Support leg
L 2PCS  Bedside support leg	M 1PC  Bedside iron sheet	N 5PCS  Connector	O1 1PC  Right corner brace	O2 1PC  Left corner brace

Hardware list

P  M8*50 9PCS	Q  M8*40 4PCS	R  M8*25 15PCS	S  M8*18mm 15PCS	T  $\phi 22 * \phi 8.5$ 8PCS	U  M8 Spanner 1PC
---	--	---	---	---	---

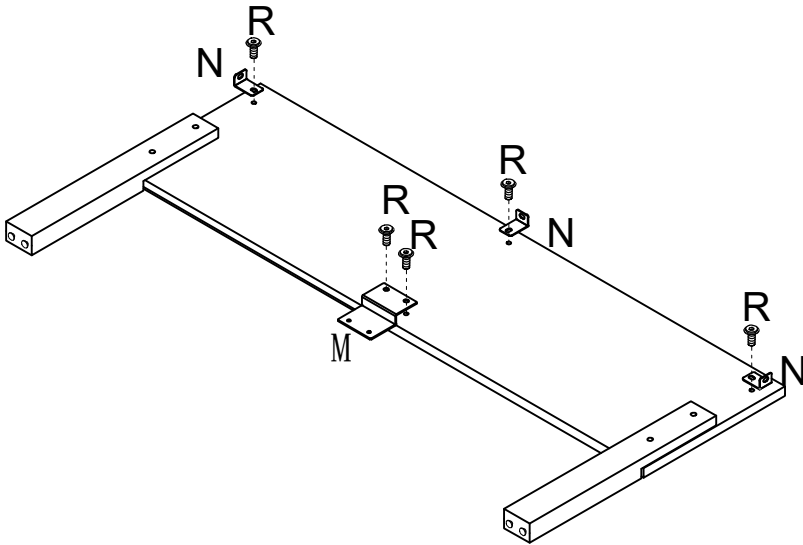
1




Back side

P		4PCS
T		4PCS

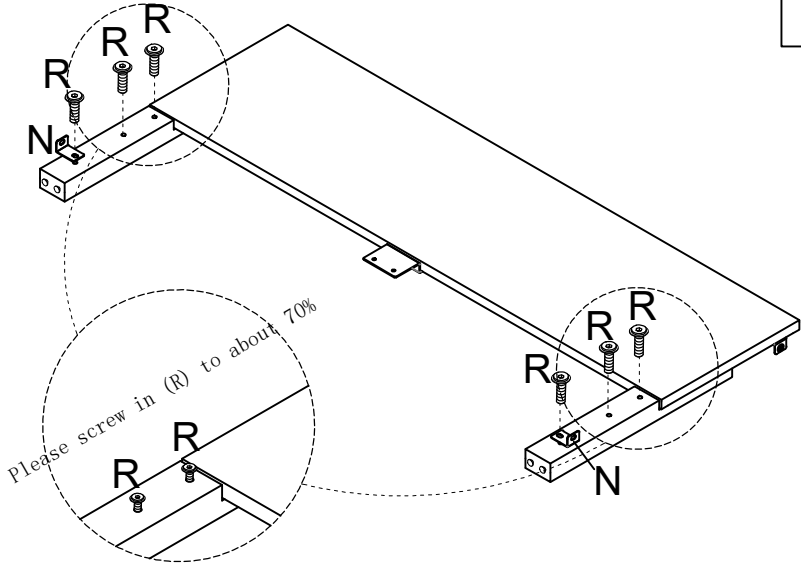
2




Back side

R		5PCS
---	---	------

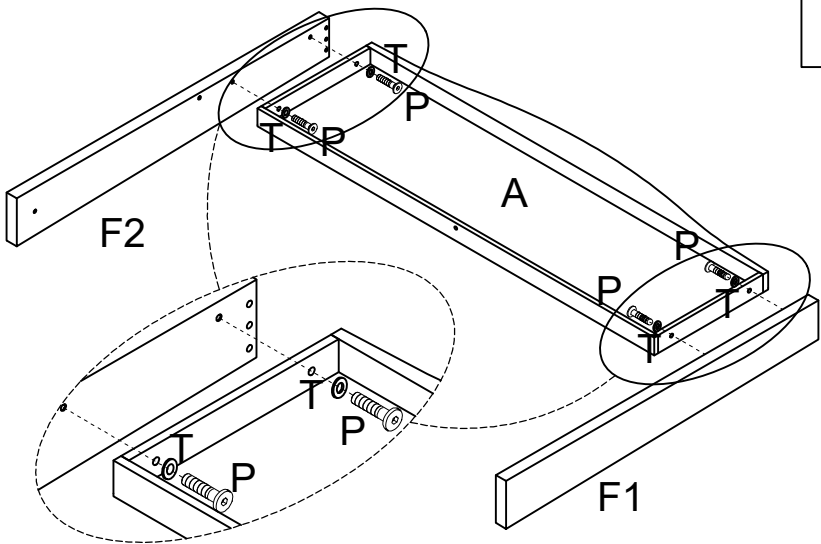
3



Front side

R		6PCS
---	---	------

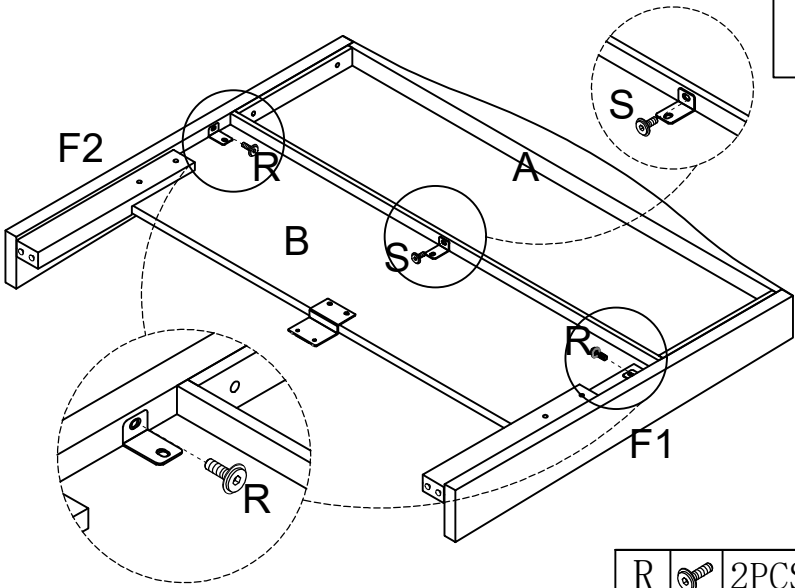
4





Back side

P		4PCS
T		4PCS

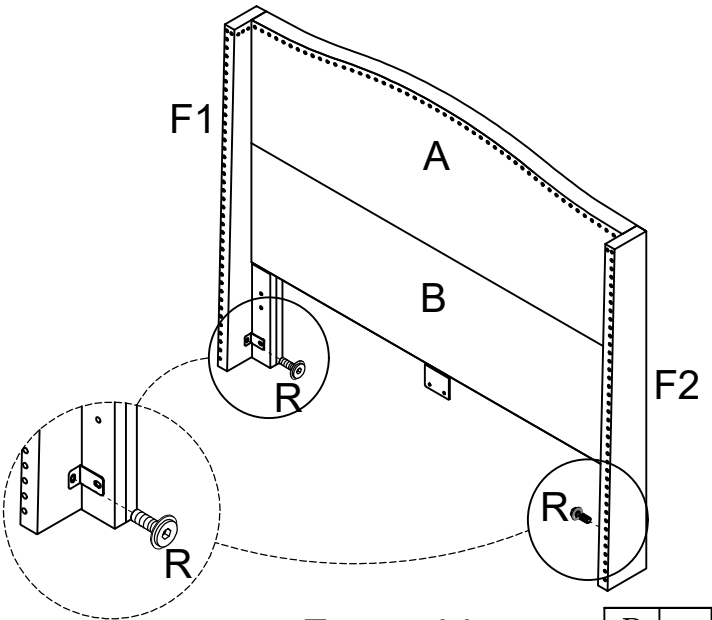
5




Back side

R		2PCS
S		1PC

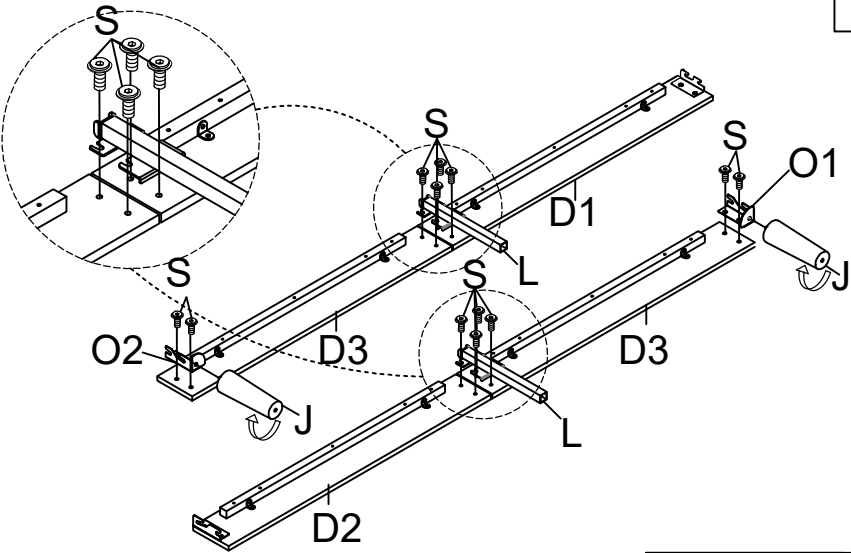
6



Front side

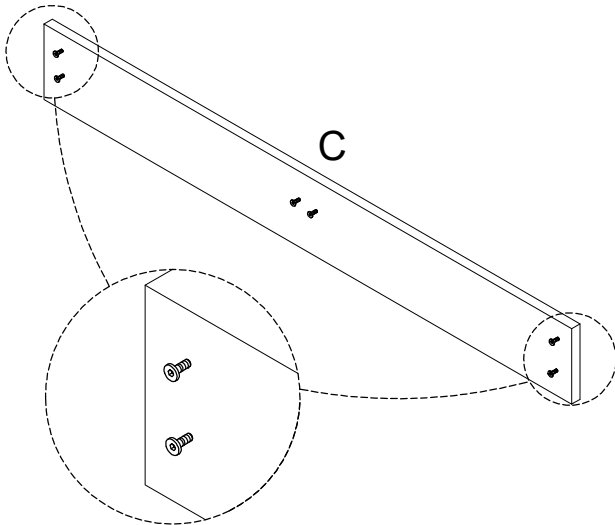
R		2PCS
---	---	------

7



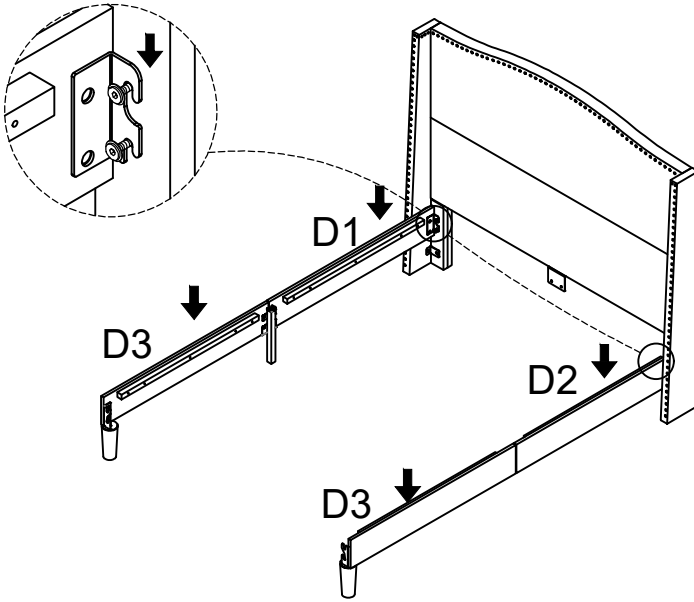
S		12PCS
---	---	-------

8

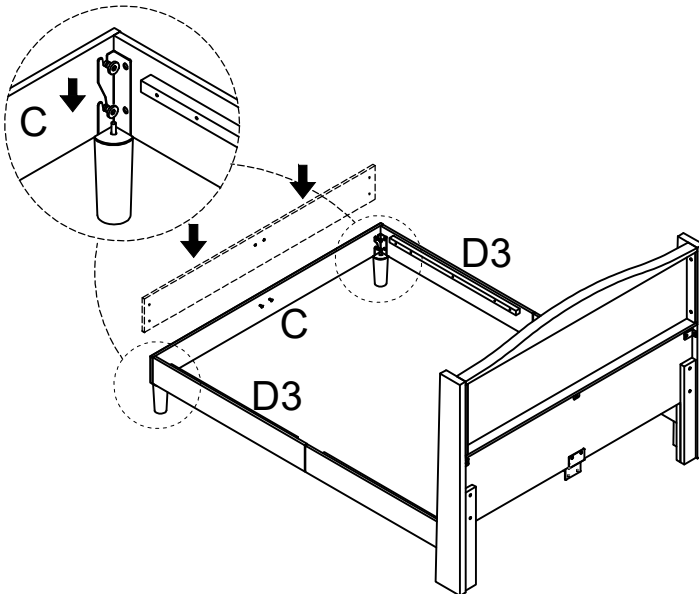


Loosen but don't remove the pre-installed screws.

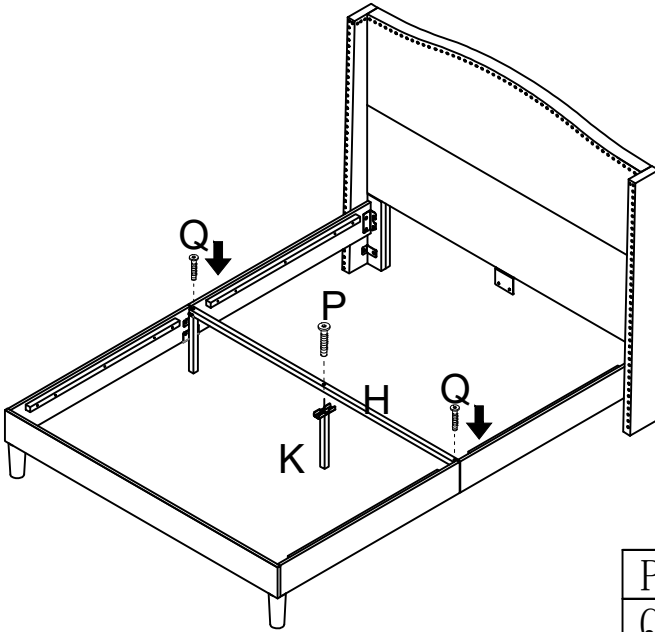
9





10

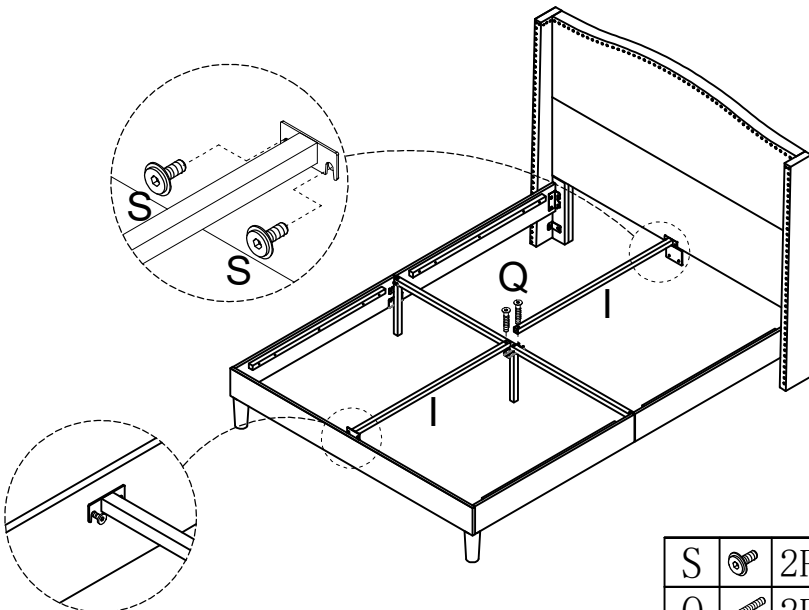


11



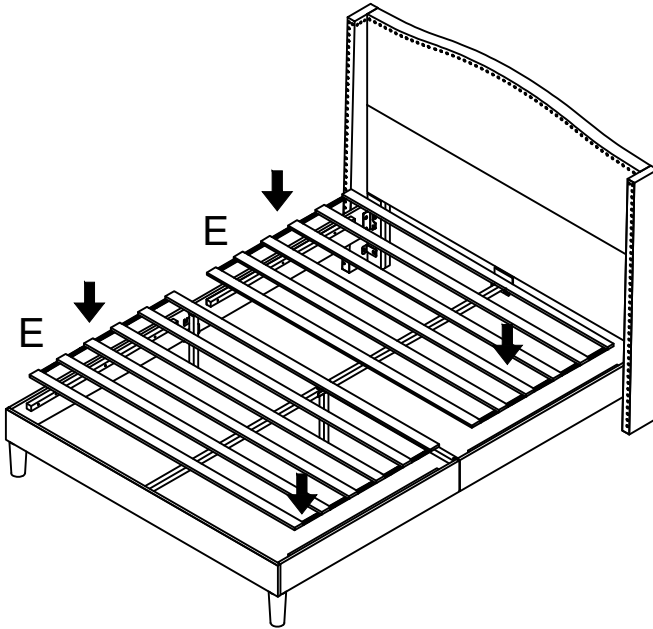
P		1PC
Q		2PCS

12

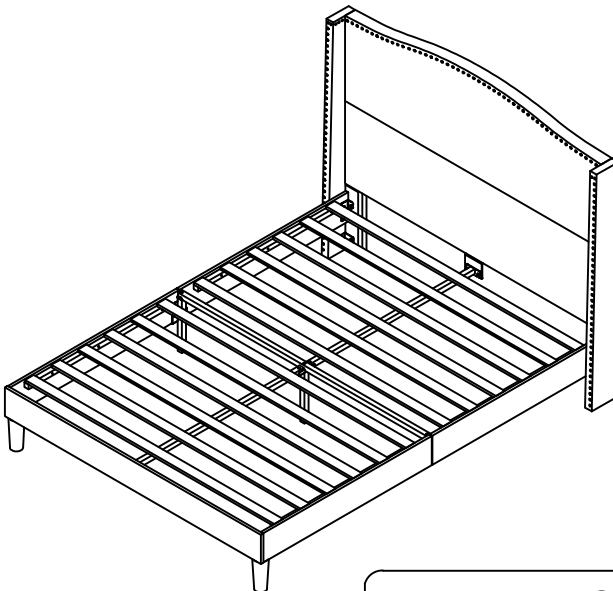


S		2PCS
Q		2PCS

13



14



Installation Complete