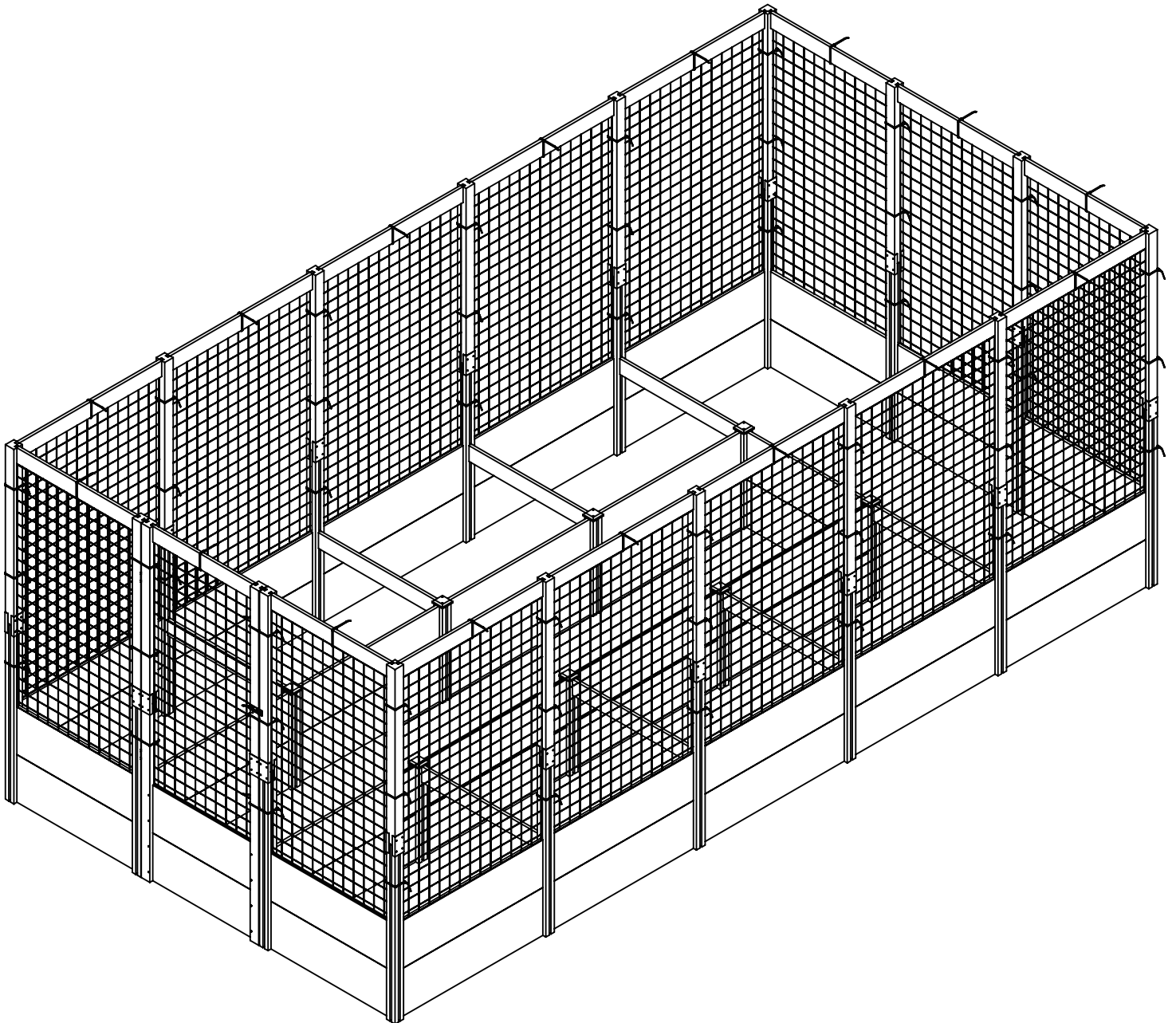


# WOODEN RAISED GARDEN BED INSTRUCTION MANUAL



YRB001-1A1A1+YRB001-1A1A2  
Revision Date: 20240918

We appreciate your trust and the purchase of the products.

We are always committed to selling higher-cost performance products, and try our best to provide our customer service with brilliant quality.

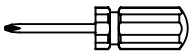
Improve your living experience from purchase Amerlife products will be our pleasure.

## ! NOTICE

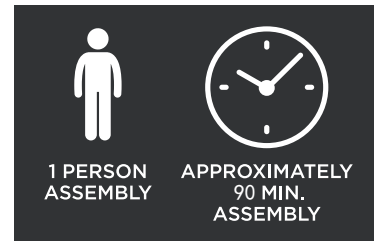
Please retain instructions for future needs.

- Do not stand on or use any parts of this item as a step ladder.
- Fasten screws loosely during assembly. Do not firmly tighten the screws until the item is completely assembled.
- Double-check all the bolts, screws, and knobs have been firmly tightened before use.
- To prevent items fall apart, please regularly check if all bolts, screws, and knobs are secure.
- Do not use or store this item in the proximity of open flame or flammable/combustible
- Be aware that some parts are heavy and have sharp edges when assembling and using.
- If any parts are missing, broken, damaged, or worn in 90 days, stop using or assembling this product, please do not hesitate to contact us, we will send the factory replacement parts for free.
- Do not use this item in a way inconsistent with the manufacturer's instructions as this could void the
- This item is made of wood and may expand due to moisture.

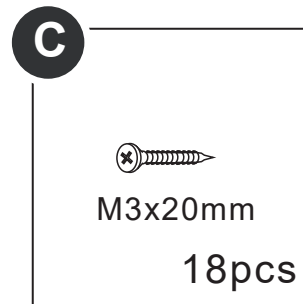
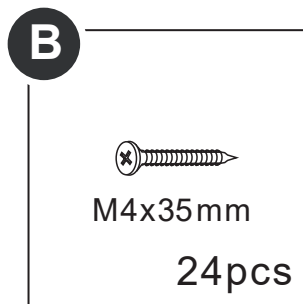
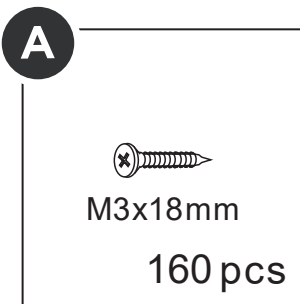
## TOOLS REQUIRED



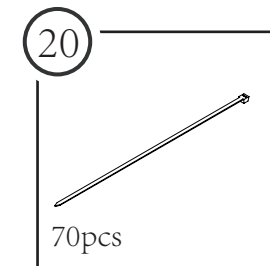
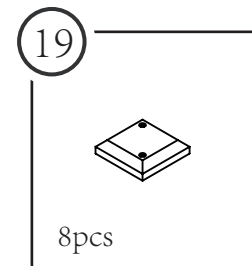
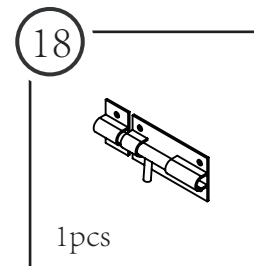
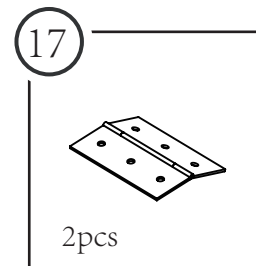
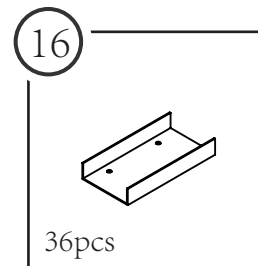
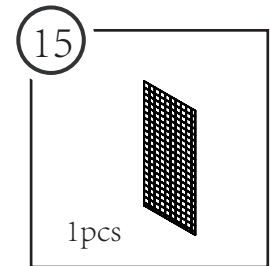
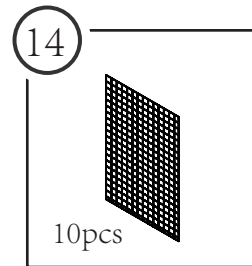
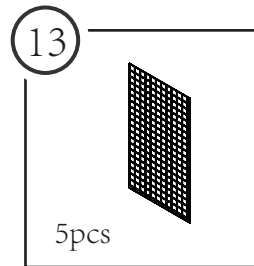
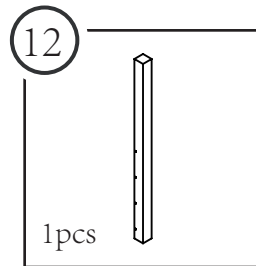
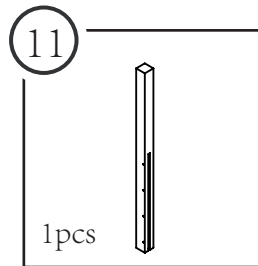
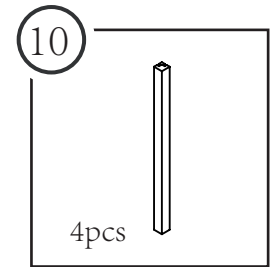
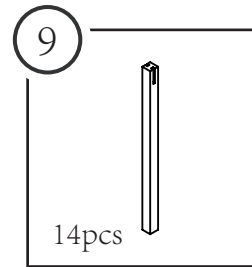
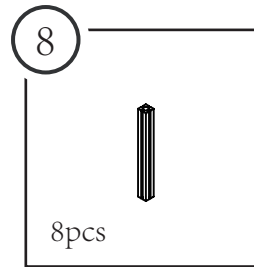
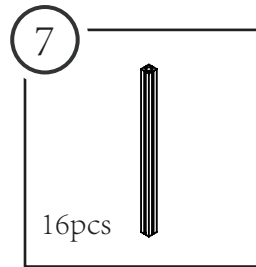
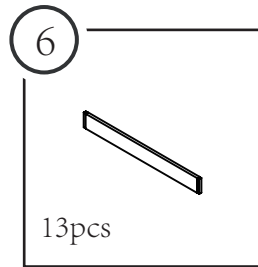
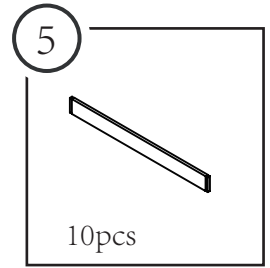
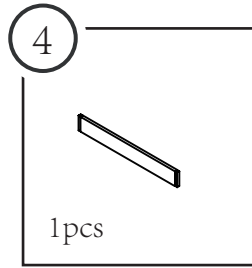
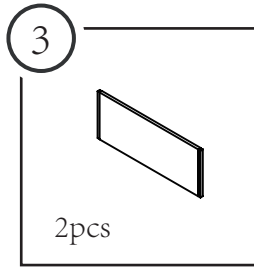
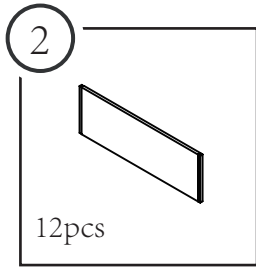
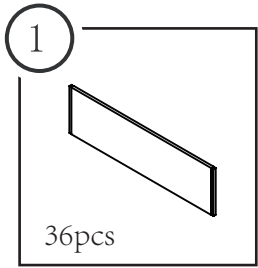
PHILLIPS  
SCREWDRIVER



## HARDWARE

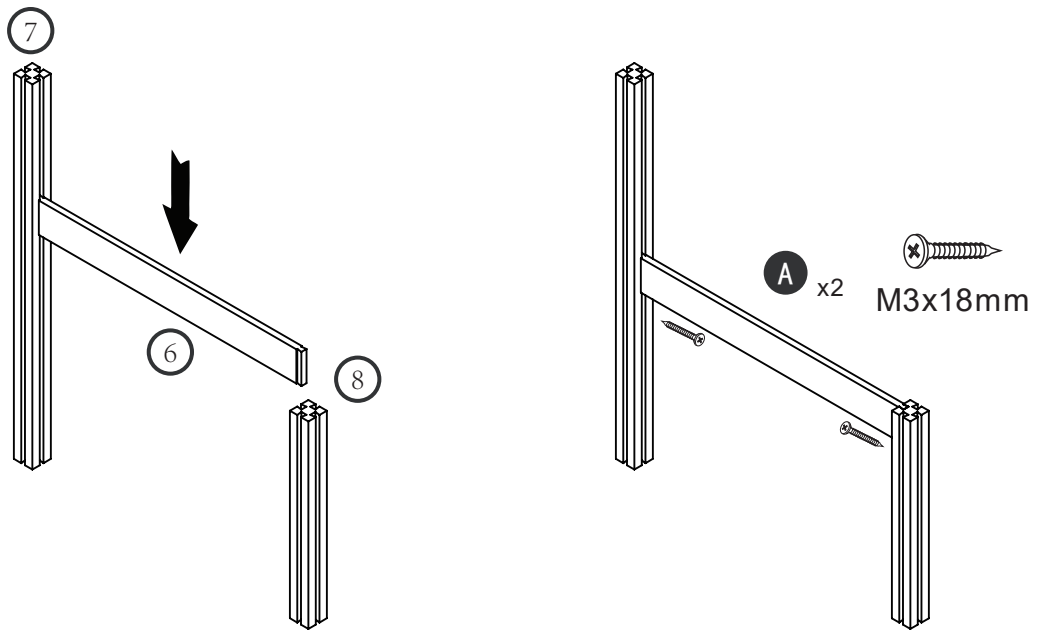


# PARTS



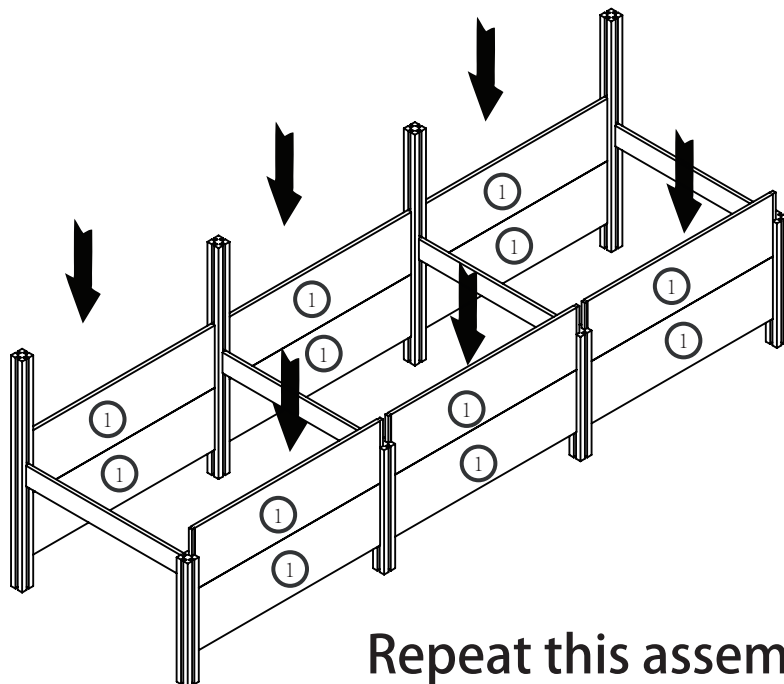
# PRODUCT ASSEMBLY

1



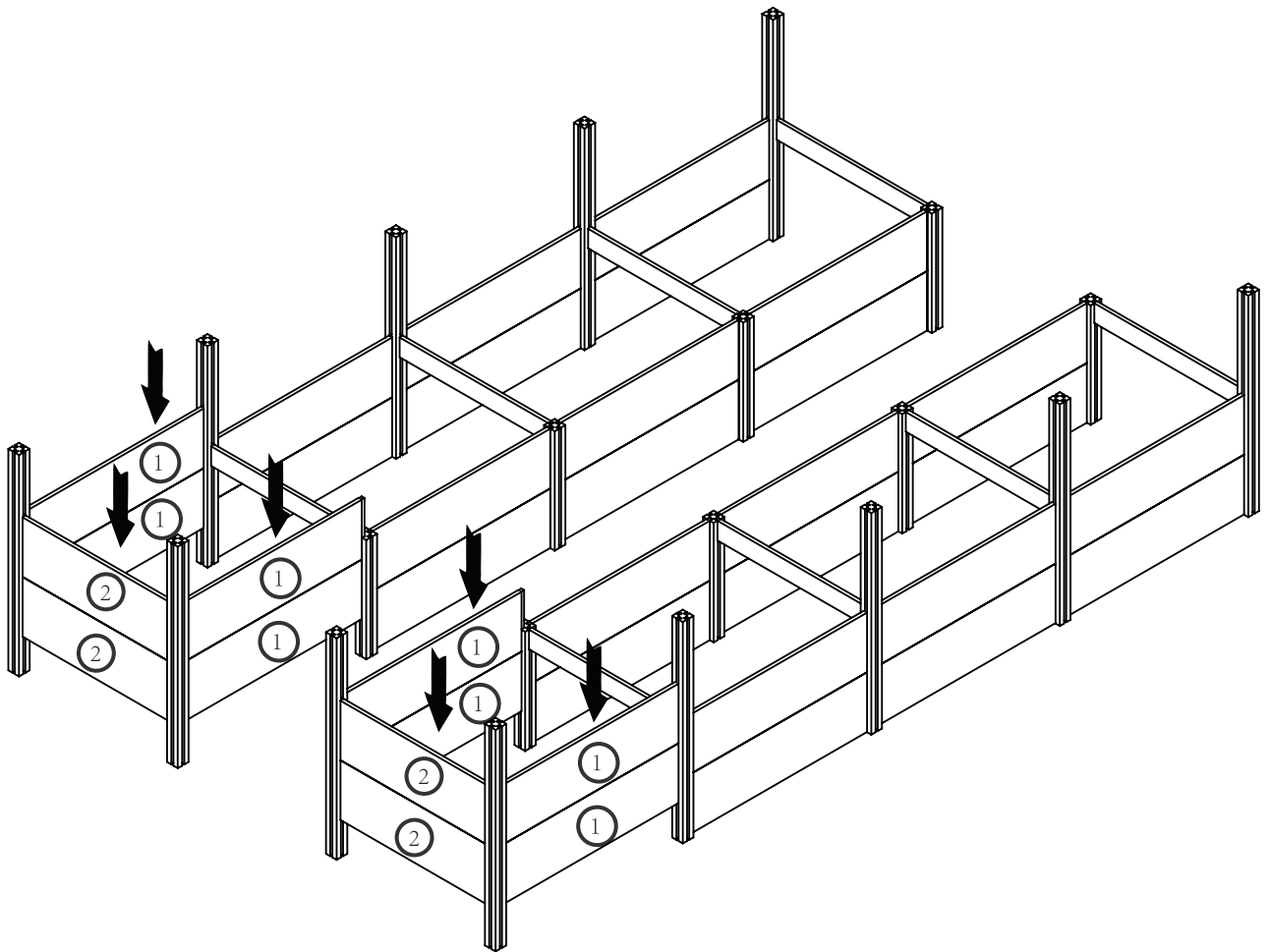
Repeat this assembly step\*4

2



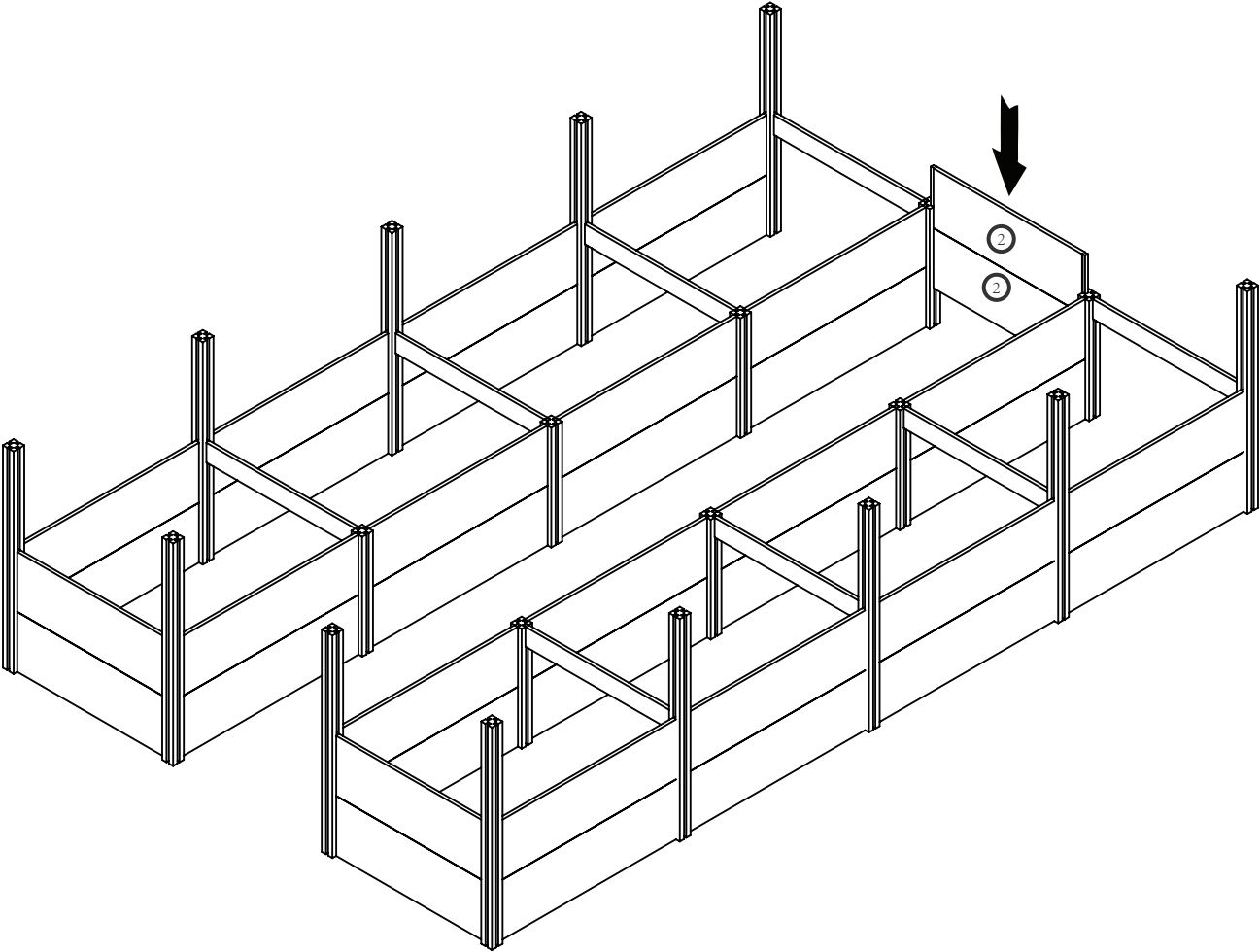
Repeat this assembly step\*2

**3**

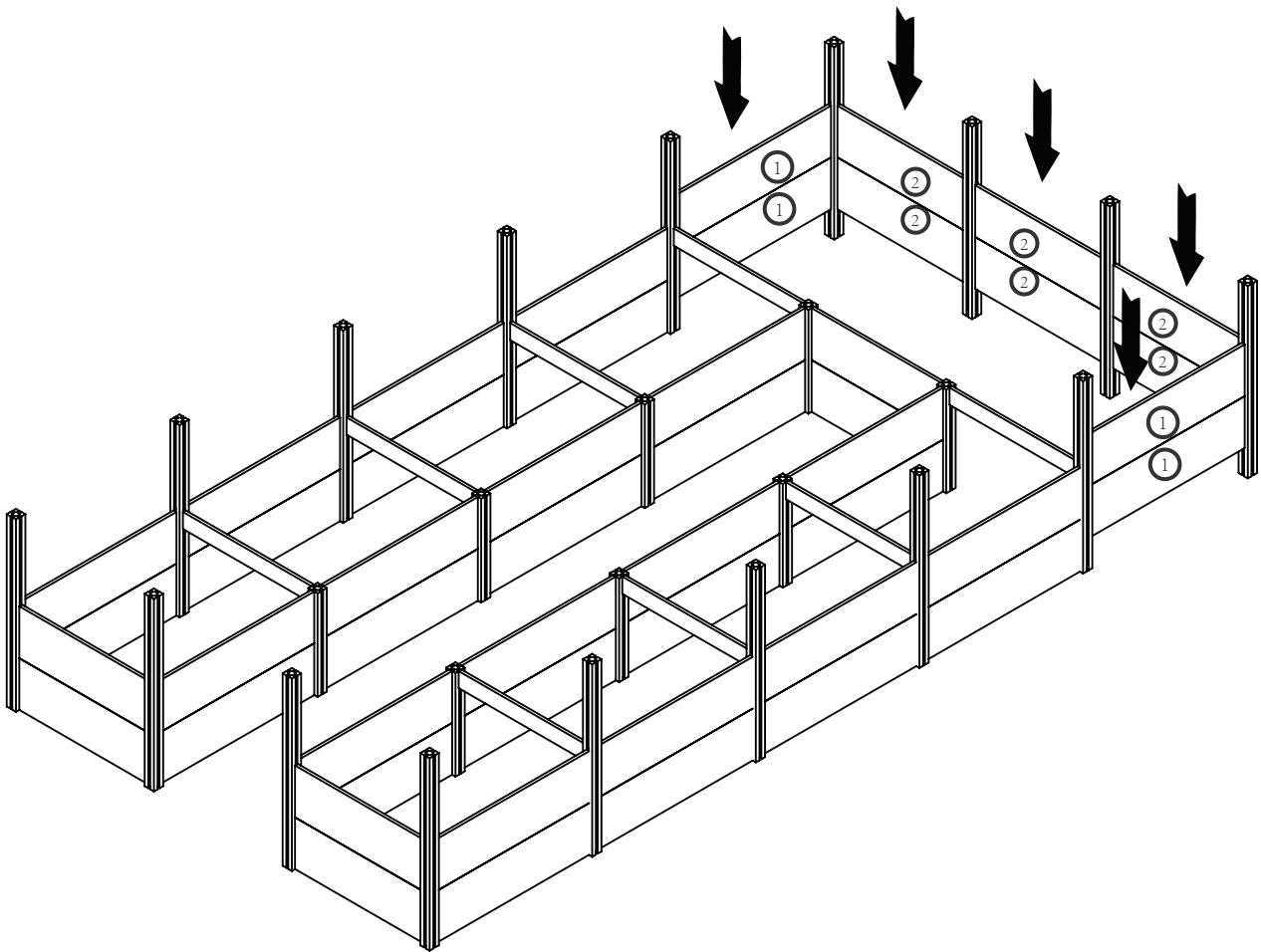


**PRODUCT ASSEMBLY**

**4**



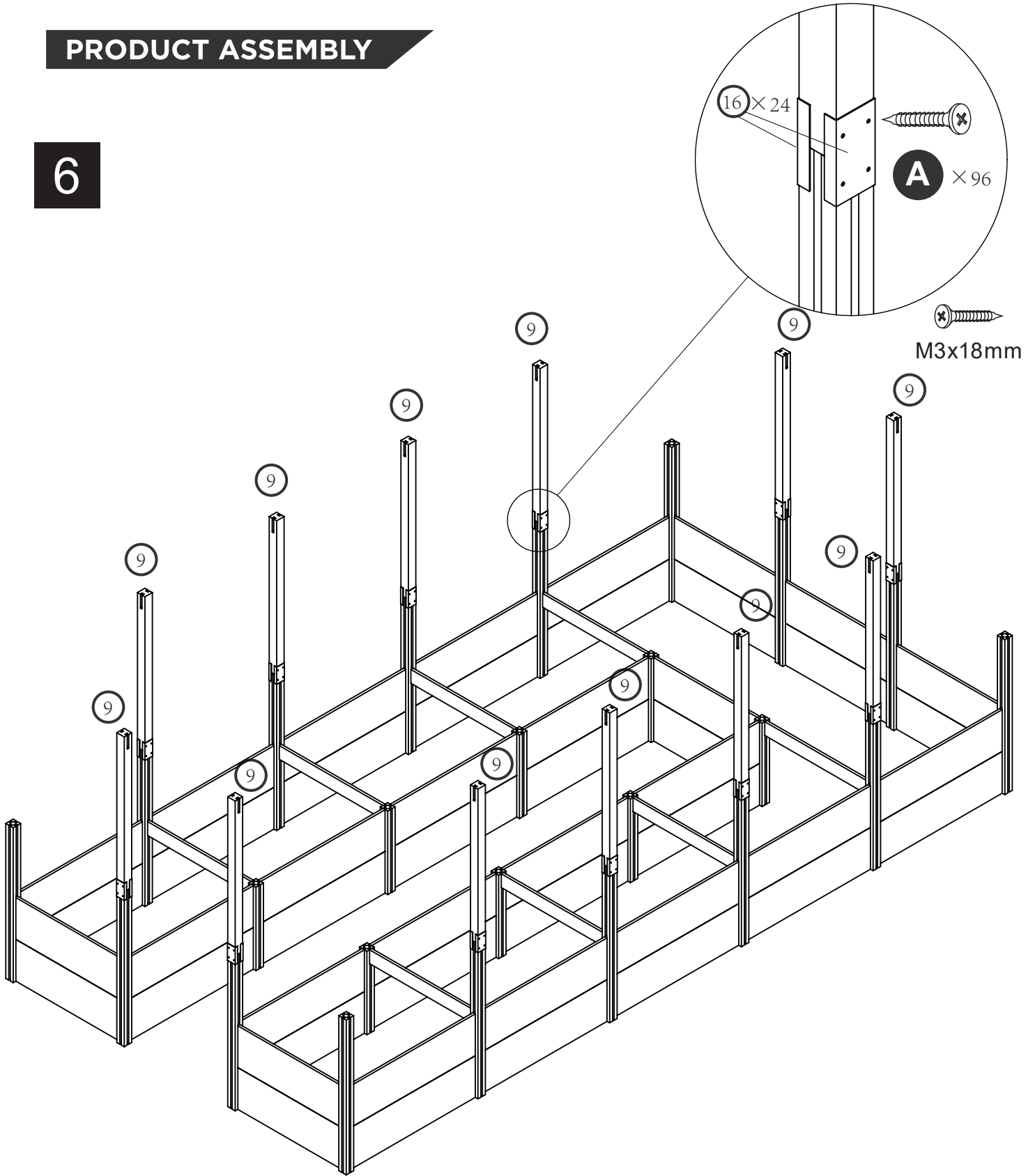
**5**





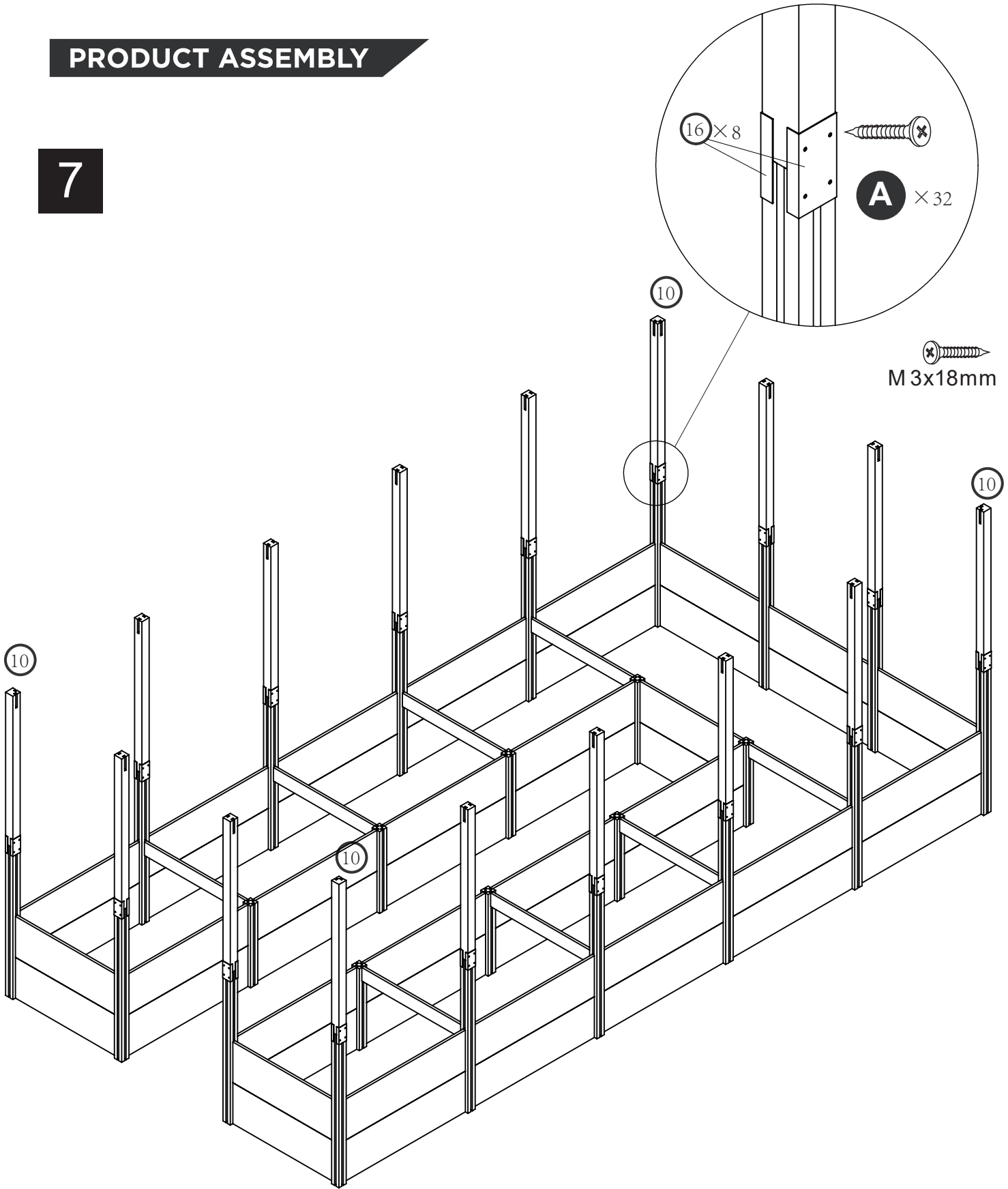
# PRODUCT ASSEMBLY

6



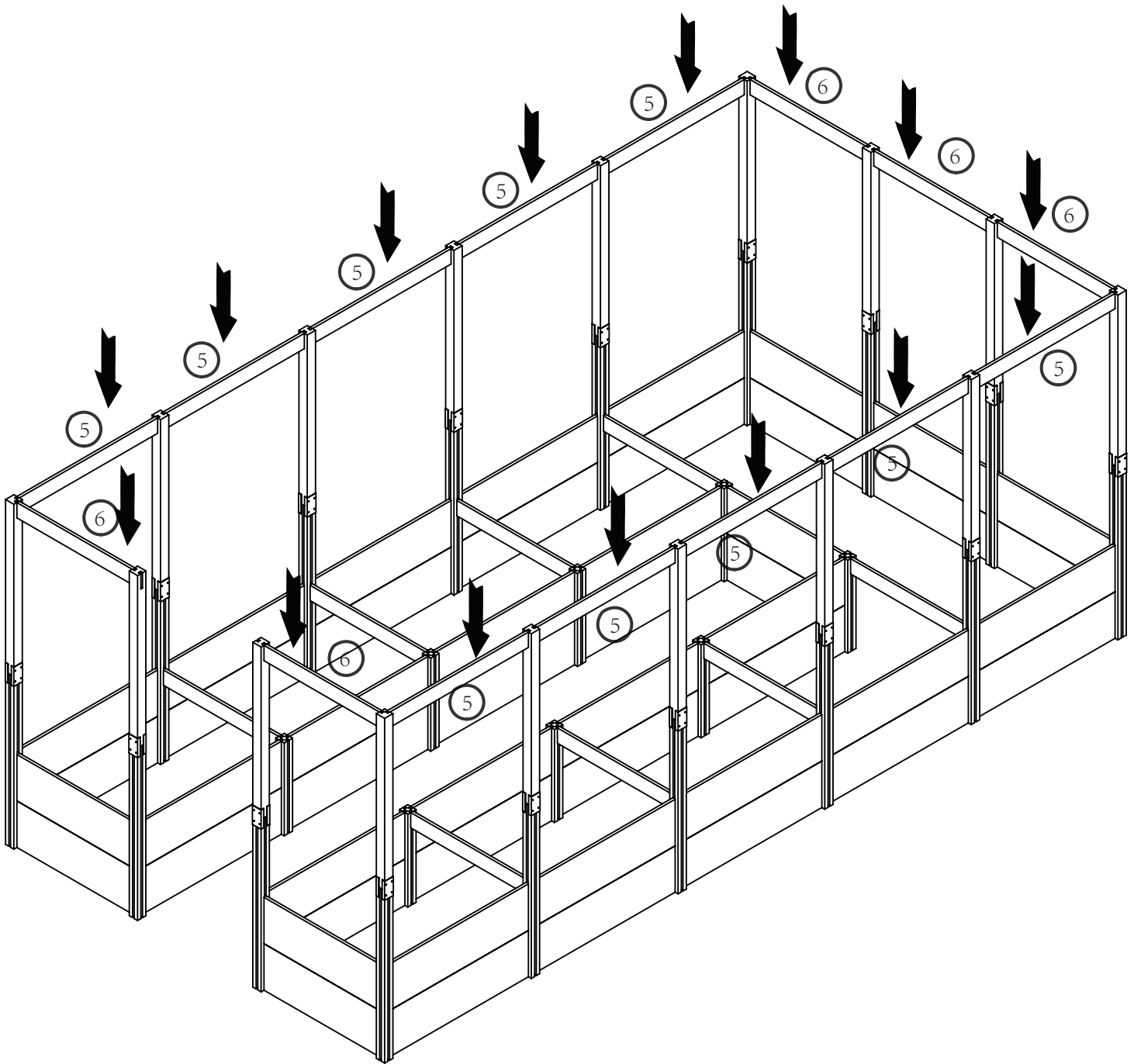
# PRODUCT ASSEMBLY

7



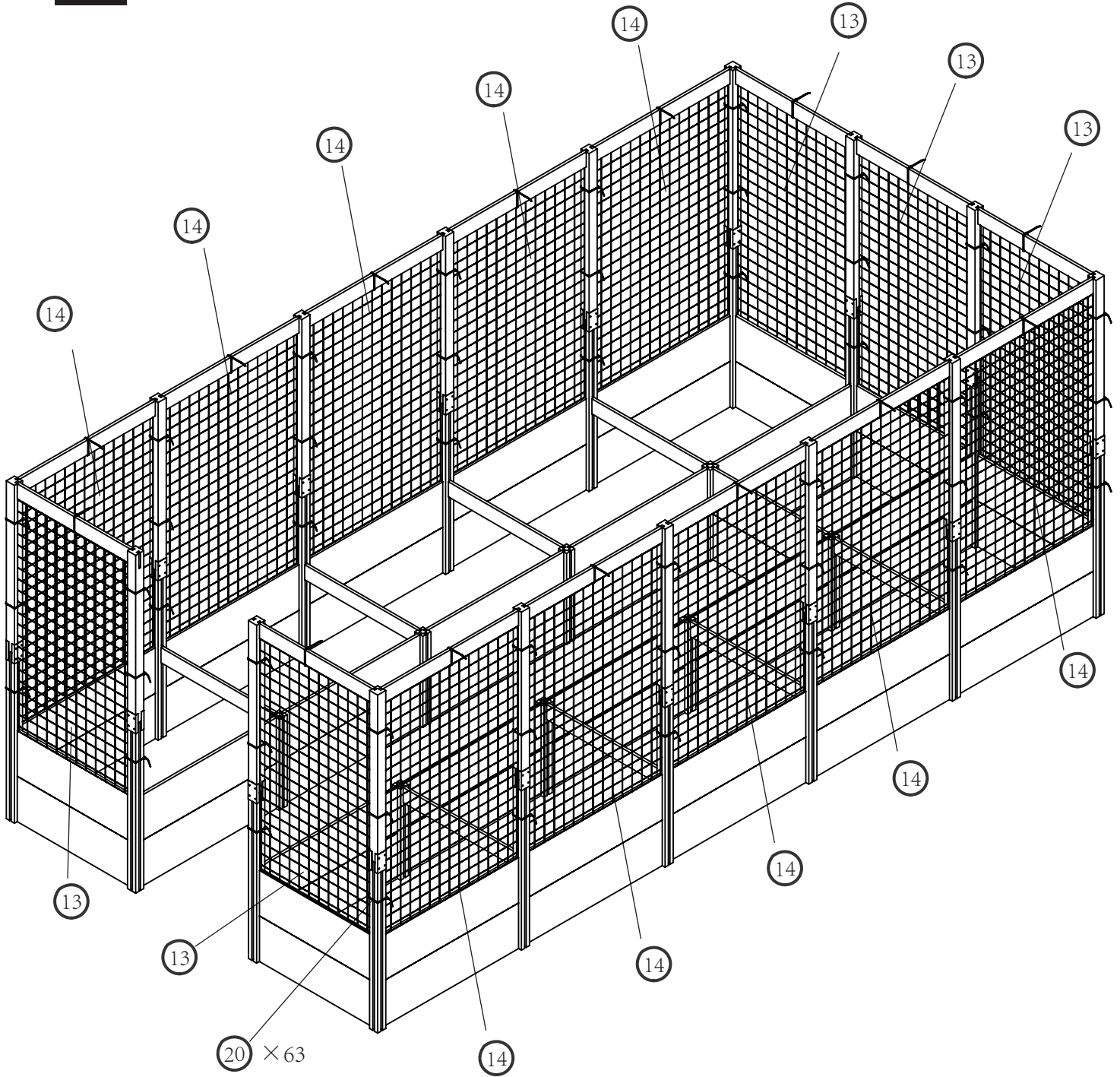
# PRODUCT ASSEMBLY

8



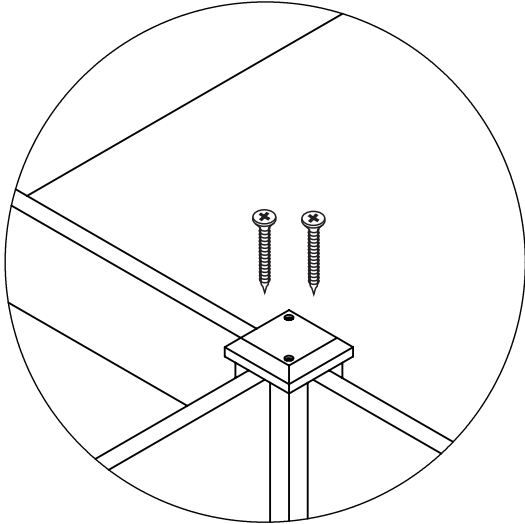
# PRODUCT ASSEMBLY

9



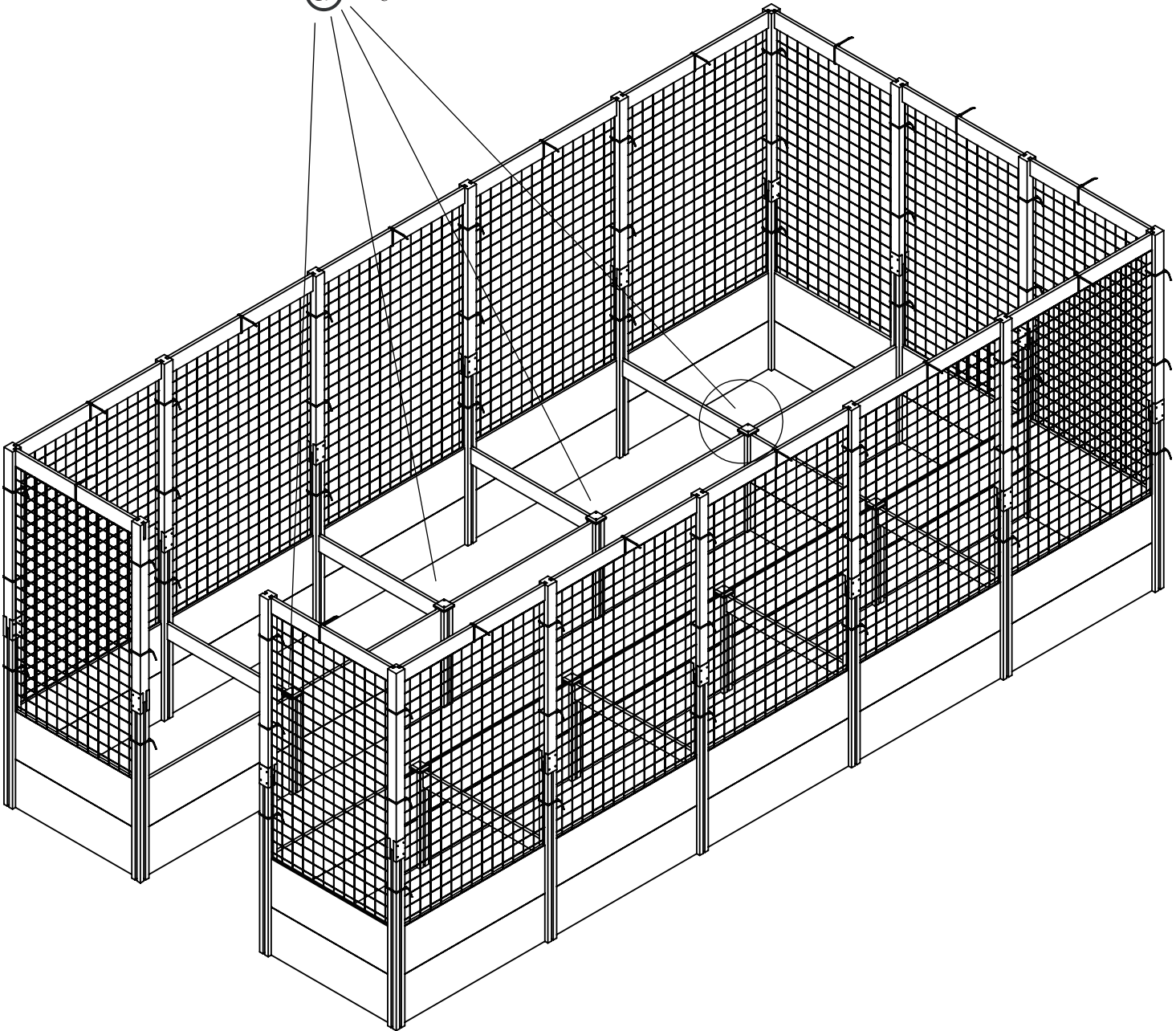
**PRODUCT ASSEMBLY**

**10**



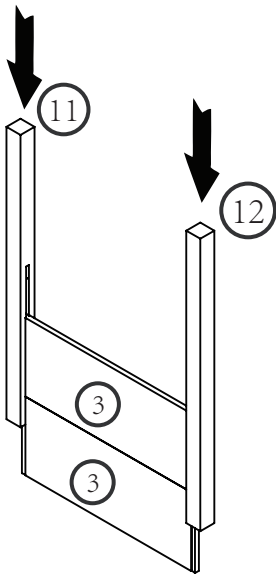
**B** × 16   
M4x35mm

**19** × 8

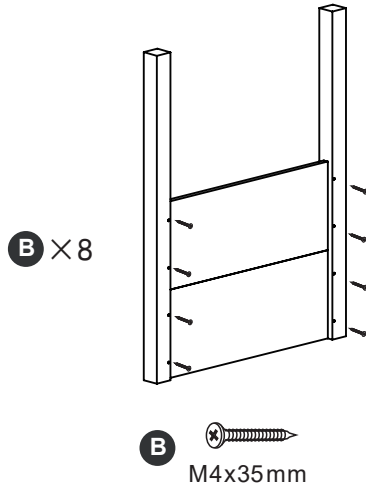


# PRODUCT ASSEMBLY

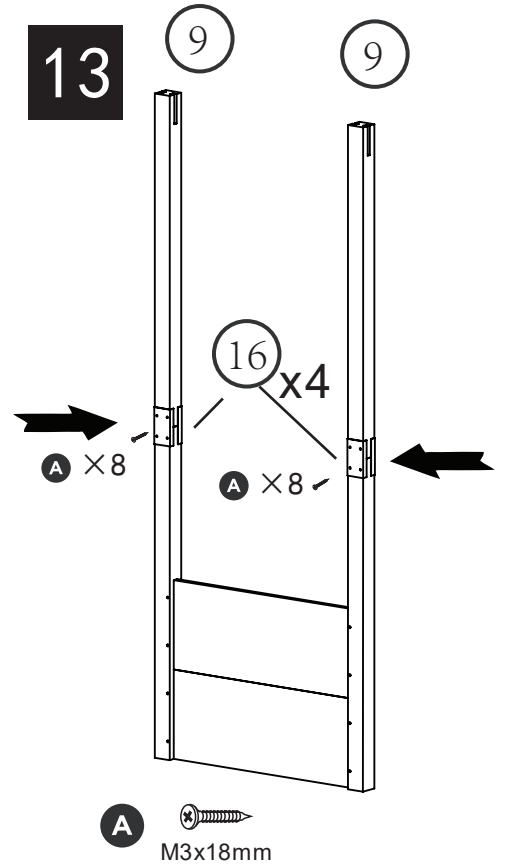
11



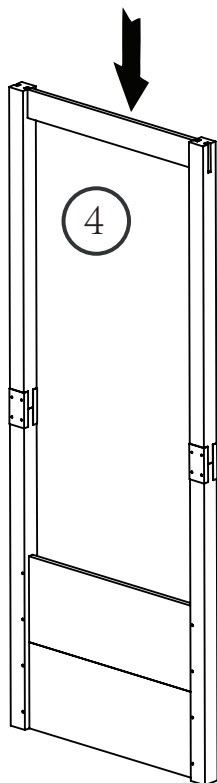
12



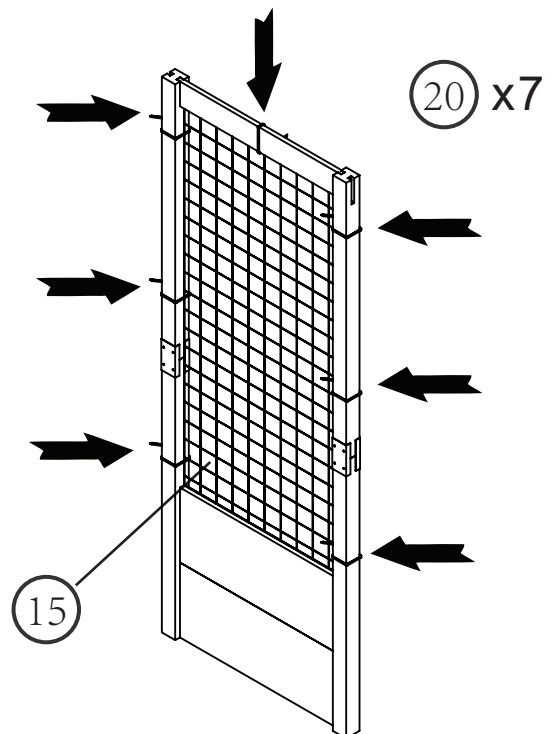
13



14



15



# PRODUCT ASSEMBLY

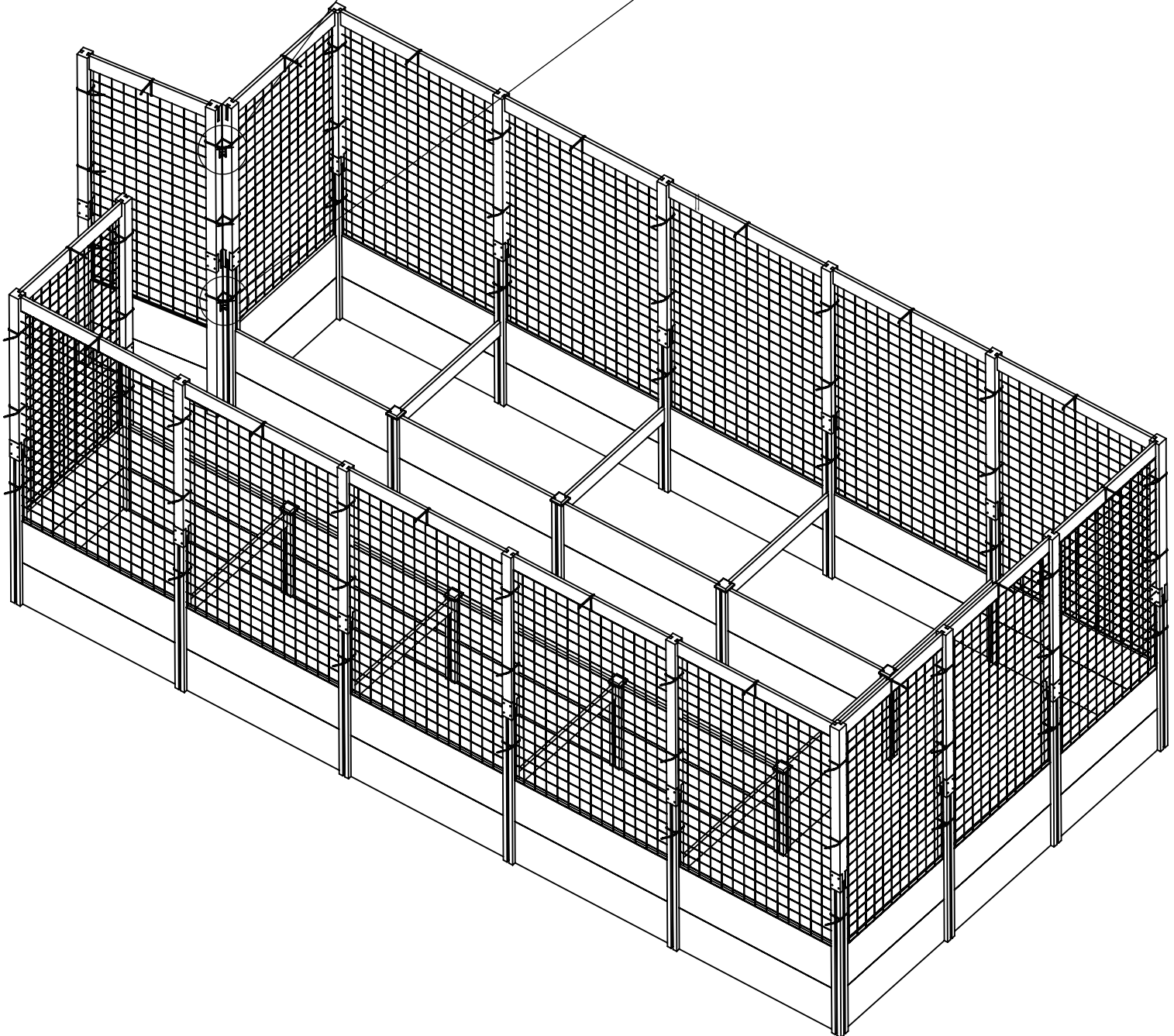
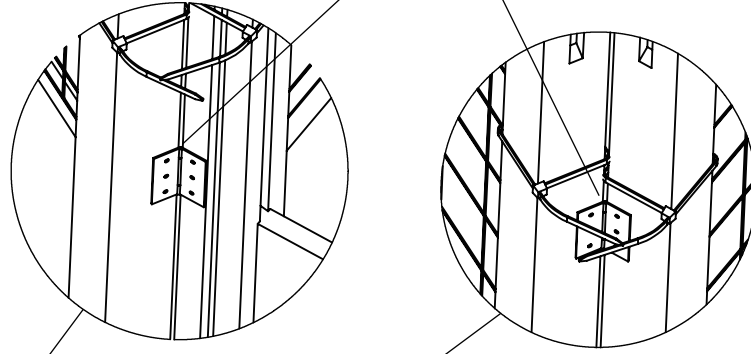
16

C × 12



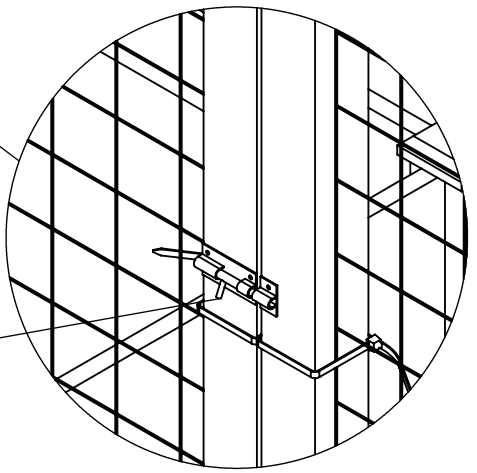
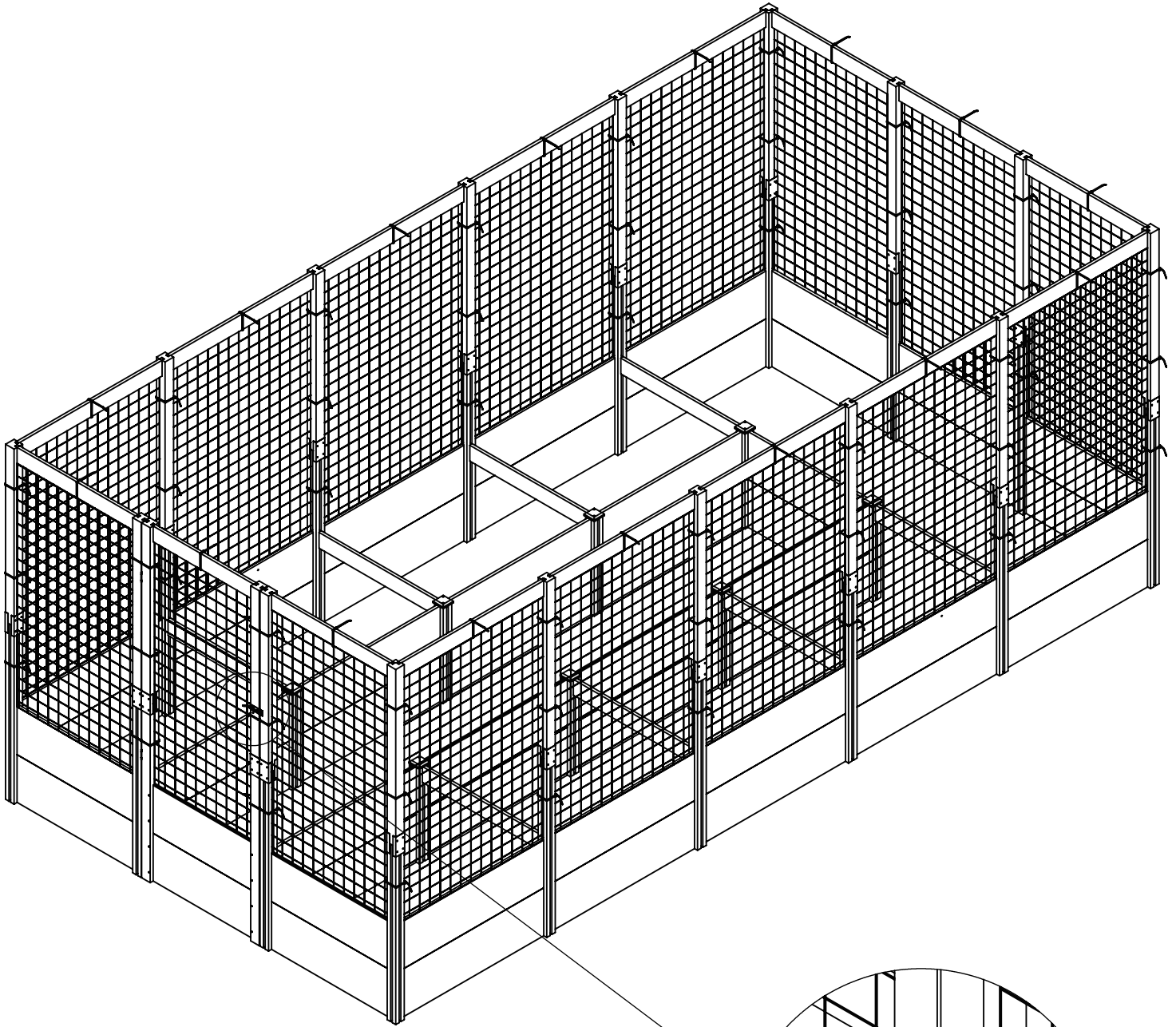
17 × 2

M3x20mm




PRODUCT ASSEMBLY

17



18

 M3x20mm

 × 6



# HELP CENTER

Thank you for choosing us to be a part of your life. We value your business, and constantly strive to provide you only top-quality products and services. Contact us if we can be of further assistance, we'd love to hear your advice.

OUR E-mail address: [support@wepatio.com](mailto:support@wepatio.com)

Tel : 901-347-2181



## PRODUCT WARRANTY INFORMATION

Any damaged part during shipment or missing parts, please feel free to contact us via amazon or our support mail at: [support@wepatio.com](mailto:support@wepatio.com)

It's our responsibility to send the replacement to the customer.

Pictures must be required for all returns to ensure an item is not damaged prior to its return. Any unboxed package will be considered a used product.

For the used item (once opened), we may charge return and restocking fee according to item's condition. The restocking fee will be charged up to 50% of the item's price for the used or damaged item, and up to 100% for materially different items.

For the unopened package, all items can be returned for any reason within 30 days of the receipt and will receive a full refund back to the original payment method.

All returns must be shipped back to our warehouse, the refund will be issued after received by warehouse staff. Boxes for return shipping will not be provided by us and is the customer's responsibility to either use the original shipping boxes.

## **WARNING**

Manufacturer and seller expressly disclaim any and all liability for personal injury, property damage, or loss, whether direct, indirect, or incidental, resulting from the incorrect attachment, improper use, inadequate maintenance, or neglect of this product.